



Individual mounting

Inline	
--------	--

Manifold mounting

sub-base	
----------	--

Series

1100

55

56

57

58

59

700

900

82

6300

6500

6600

2700

1800

ISO 1

ISO 2

ISO 3

Function	Port size	Flow (Max)	Individual mounting	Series
3/2 NO-NC, 2/2 NO-NC	1/8" - 1/4"	0.18 C_v	Inline	

OPERATIONAL BENEFITS

1. Balanced poppet, immune to variations of pressure.
2. Short stroke with high flow.
3. Powerful return spring.
4. Maximum shifting forces.



1100

55

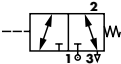
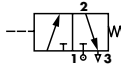
56

57

58

59

HOW TO ORDER

Port size	Universal valve	NC only valve
		
1/8" NPTF	1111A-111	1161A-111
1/4" NPTF	1113A-111	1163A-111

700

900

Air pilot port : 1/8" NPTF.

82

6300

6500

6600

2700

1800

ISO 1

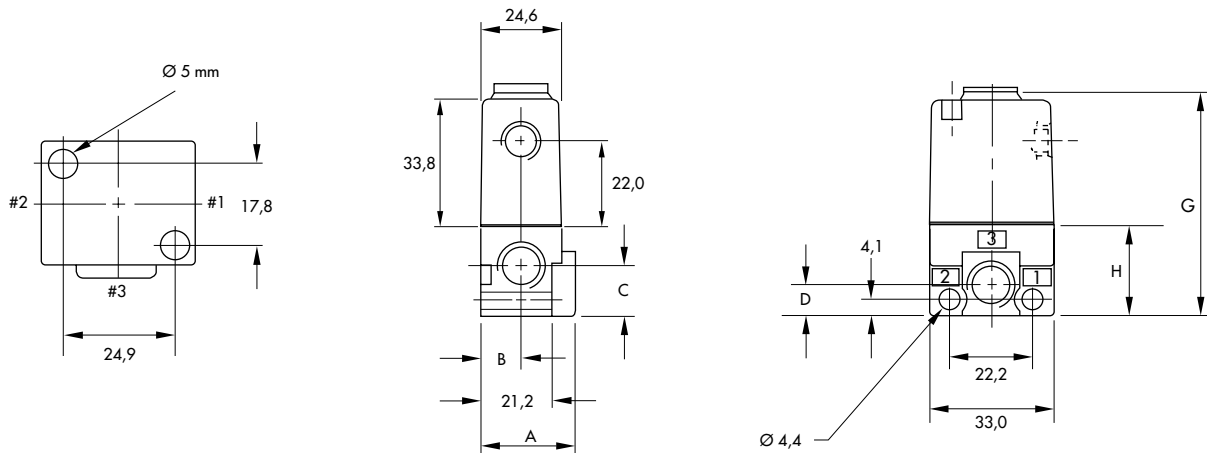
ISO 2

ISO 3

TECHNICAL DATA	
Fluid :	Compressed air, vacuum, inert gases
Pressure range :	Vacuum to 1.50 PSI
Air signal pressure :	20 PSI
Lubrication :	Not required, if used select a medium aniline point lubricant (between 180°F to 210°F)
Filtration :	40 μ
Temperature range :	0°F to 140°F (-18°C to 60°C)
Flow (at 6 bar, ΔP=1bar) :	0.18 C _v

Options : • BSPP threads.

DIMENSIONS Dimensions shown are metric (mm)



1/8"	28.4	12.7	14.0	8.0	60.1	23.2
1/4"	29.8	13.3	12.7	9.9	60.9	24.1

Function	Port size	Flow (Max)	Manifold mounting	Series
3/2 NO-NC, 2/2 NO-NC	1/8"	0.18 C_v	sub-base	

OPERATIONAL BENEFITS

1. Balanced poppet, immune to variations of pressure.
2. Short stroke with high flow.
3. Powerful return spring.
4. Maximum shifting forces.



1100

55
56
57
58
59

HOW TO ORDER

Port size	Universal valve	NC only valve
Valve less base	1130A-111	1170A-111
Sub-base 1/8" NPTF	1132A-111	1172A-111

700
900

Air pilot port : 1/8" NPTF.
End plate kit (1/4" ports) : A2-5004-01.

82

OPTIONS

- 11X2A-111
 - Replace by 2 for 2-way normally closed.
 - Replace by 4 for 2-way normally open.

6300
6500
6600
2700
1800
ISO 1
ISO 2
ISO 3

TECHNICAL DATA	
Fluid :	Compressed air, vacuum, inert gases
Pressure range :	Vacuum to 150 PSI
Air signal pressure :	20 PSI
Lubrication :	Not required, if used select a medium aniline point lubricant (between 180°F to 210°F)
Filtration :	40 μ
Temperature range :	0°F to 140°F (-18°C to 60°C)
Flow (at 6 bar, ΔP=1bar) :	1/8" : (0.18 C _v)
Leak rate :	100 cm ³ /min

- Spare parts : • Function plate : A2-7009. • Pressure seal between bases : 16226. • Tie-rod (x2) : 19546.
- Options : • BSPP threads.

