

Function	Port size	Flow [Max]	Individual mounting	Series
5/2	1/4"	1.4 C_v	Inline	

OPERATIONAL BENEFITS

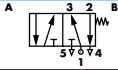
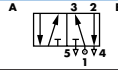
1. Short stroke with high flow.
2. Powerful return force.
3. Bonded spool with minimum friction, shifting in a glass-like finished bore.
4. Wiping effect eliminates sticking.
5. Long service life.



1100

1800

HOW TO ORDER

Port size	Single operator	Double operator
		
1/4" NPTF	180001-112-xxxx	18xxxx-112-xxxx

MECHANICAL OPERATOR >

XXXX

Code	Description	Code	Description	Code	Description
0111	Cam roller parallel to ports 2 & 3	0024	Lever non-locking pull perpendicular to body	0033	Push button with guard
0112	Cam roller perpendicular to ports 2 & 3	0025	Lever locking push parallel to body	0034	Push Pull
0013	Lever cam perpendicular to ports 2 & 3	0026	Lever non-locking push parallel to body	0035	Push Pull (panel mounting)
0014	Lever cam parallel to ports 2 & 3	0027	Lever locking pull parallel to body	0036	Palm button
0021	Lever locking push perpendicular to body	0028	Lever non-locking pull parallel to body	0037	Palm button (panel mounting)
0022	Lever non-locking push perpendicular to body	0031	Push button	0038	Palm button with guard
0023	Lever locking pull perpendicular to body	0032	Push button (panel mounting)	0039	Push Pull palm button

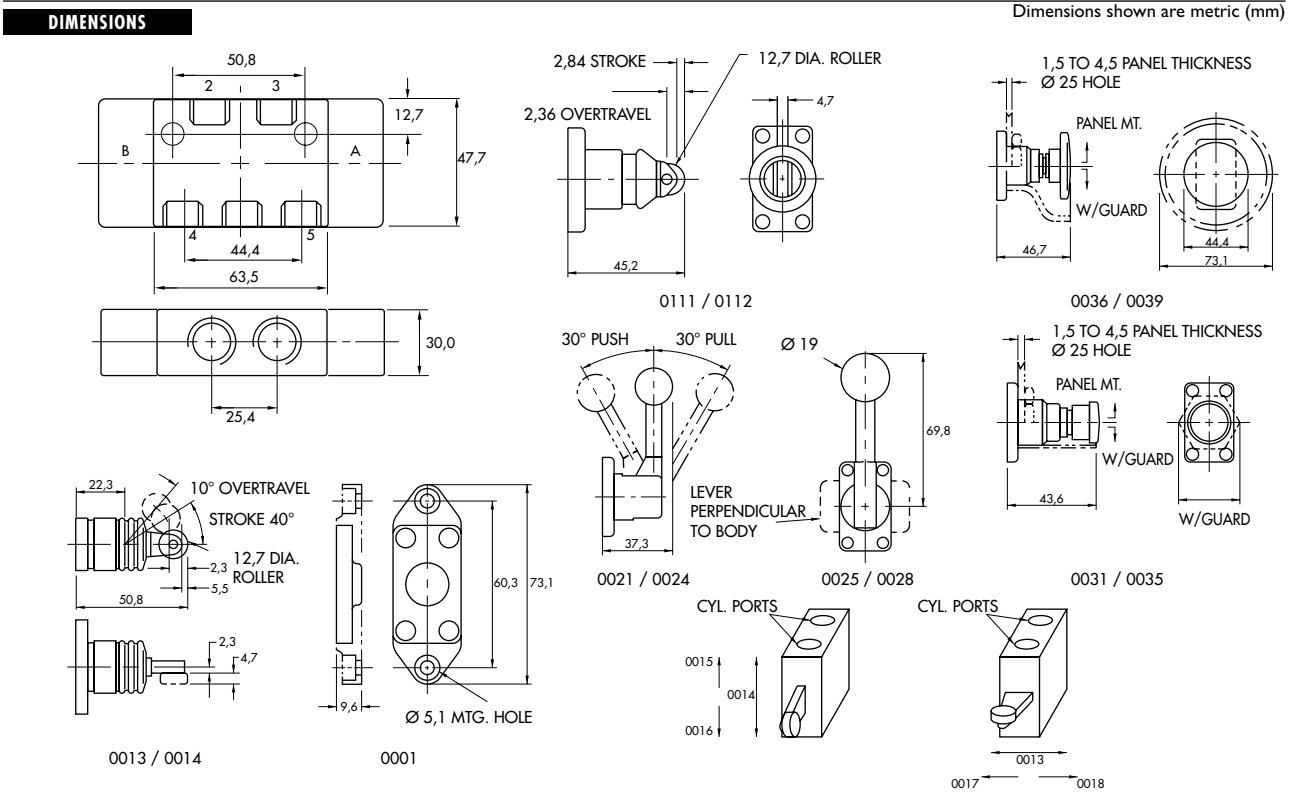
OPTIONS

002X

Replace 0 by 2 for lever operator with boot (see photo)

TECHNICAL DATA	
Fluid :	Compressed air, vacuum, inert gases
Pressure range :	Vacuum to 200 PSI
Lubrication :	Not required, if used select a medium aniline point lubricant (between 180°F to 210°F)
Filtration :	40 μ
Temperature range :	0°F to 120°F (-18°C to 50°C)
Flow (at 6 bar, ΔP=1bar) :	1/4" : (1.4-C _v)

- Spare parts : • Operator : 18XXXX (see codification).
- Options : • BSPP threads. • 3/8" ports (ports 1,2 & 3 - MOD. 0358 required).



To order a complete valve requires the selection of an Operator B, followed by the selected body, followed by the selected Operator A. The operator numbers for both "A" and "B" are listed below in the left hand table. The 3 digit body numbers are selected from the right hand table, by selecting one digit from each of the 3 columns.

Oper. B
18XXXX Body
-YYY Oper. A
-XXXX

OPERATOR "A" AND "B"			
XXXX	DESCRIPTION	XXXX	DESCRIPTION
0001	Spring (Use 02 on Push Pull)	*0025	Lever, Locking, Push; Parallel to body
0002	Retainer (Used with 0034, 0035, & 0039)	*0026	Lever, Non-Locking, Push; Parallel to body
0003	Pilot (2-Pos.)	*0027	Lever, Locking, Pull; Parallel to body
0004	Pilot Sequence	*0028	Lever, Non-Locking, Pull; Parallel to body
0006	Spring Retainer End Mount	0031	Push Button
0010	Side Pilot (2-Pos.)	0032	Push Button, Panel Mount
0011	Side Pilot w/Manual Operator & Indicator (2-Pos.)	0033	Push Button, w/Guard
0012	Side Pilot Sequence	0034	Push Pull*
0013	Lever Cam Roller, Perpendicular to Ports	0035	Push Pull, Panel Mount*
0014	Lever Cam Roller, Parallel to Ports	0036	Palm Button
0015	Override Cam, Parallel; Override left	0037	Palm Button, Panel Mount
0016	Override Cam, Parallel; Override right	0038	Palm Button, w/Guard
0017	Override Cam, Perpendicular; Override Up	0039	Palm Button, Push Pull*
0018	Override Cam, Perpendicular; Override Down	0045	Whisker, Vertical; Perpendicular to Ports
*0021	Lever, Locking, Push; Perpendicular to body	0046	Whisker, Vertical; Parallel to Ports
*0022	Lever, Non-Locking, Push; Perpendicular to body	0047	Whisker, Horizontal; Perpendicular to Ports
*0023	Lever, Locking, Pull; Perpendicular to body	0048	Whisker, Horizontal; Parallel to Ports
*0024	Lever, Non-Locking, Pull; Perpendicular to body	0111	Straight Cam Roller, Parallel to Ports
		0112	Straight Cam Roller, Perpendicular to Ports
		0304	Pilot (3 Position)

Palm and push buttons are furnished in white. Also available at no additional charge in black, blue, green, red or yellow. Please specify color.

*Push pull operators have the spool permanently attached. When ordering an operator only, you must specify the operator and spool assembly #10268 for use with a single pressure valve or #10269 for use with a dual pressure valve.

* To order Lever Operators with boot, substitute 2 for 0 in second digit, i.e., -221.

① For BSPP threads, use 5 instead of 2 or 6 instead of 3 in the last position of the body code; e.g., 18XXXX-YY5-XXXX.

BODY					
Y	SPOOL TYPE	Y	BODY TYPE	Y	PORT SIZE
2-POSITION					
-1	Single pressure: Port 1 = Inlet Ports 4 & 5 = Exhaust or vacuum	1	Individual Ext. Pilot (1/4" Ports Only)	2	1/4" ① NPTF
		2	Stacking: Common Ports 1, 4, and 5 (1/4" or 3/8" Cylinder Ports)	3	3/8" ① NPTF
-2	Dual Pressure: Ports 4 & 5 = Inlet Port 1 = Exhaust or vacuum	3	Stacking: Common Port 1 & Individual Ports 4 and 5 (1/4" Cylinder Ports Only)	NOTE: Ports #2 & 3 are always cylinder ports.	
3-POSITION††					
-5	Closed Center All Ports Blocked Port 1 = Inlet. Ports 4 & 5 = Exhaust	9	Stacking: Common Ports 1, 4, and 5 with Individual Integral Exhaust Flow Controls (1/4" or 3/8" Cylinder Ports)		
-6	Open Center Inlet Blocked. Cyl. Ports to Exhaust Port 1 = Inlet. Ports 4 & 5 = Exhaust				
-7	Pressure Center Dual Pressure Ports 4 & 5 = Inlets Port 1 = Exhaust				
-8	Pressure Center Single Pressure Port 1 = Inlet Ports 4 & 5 = Exhaust				

††use 3-Position pilot operator 0304 only, for both operators.



C21

ACCESSORIES

MANIFOLD END PLATE KIT—For each gang one kit is required. Style B provides for mounting down through the end plate block, permitting valves to be positioned with cylinder ports either up or down—Style A mounting requires cylinder ports to be positioned down.

ISOLATORS—Sections of a gang may be isolated permitting different pressures to be fed to either end of the gang.

DUAL INLET PRESSURE BLOCK—Available for 3 common port stacks or 1 common port stacks, these blocks provide 2 additional inlet ports. With the use of multiple blocks an unlimited number of pressures within a stack are available.

FLOW CONTROL & MUFFLER—1/4" unit for installing in individual exhaust ports.

TO ORDER—Select the appropriate part number from the tables below.

MANIFOLD END PLATE KITS (3/8" NPTF)		
TYPE	EXTERNAL PILOT	
	1 thru 16 Valves	17 Valves or More
Style A	M-08001-03-01	M-00005-03-01
Style B	M-18001-02-01	N/A

ISOLATORS	
DESCRIPTION	PART NO.
For Port #1	N-08001
For Ports 4 & 5	N-08002
For Pilot Ports	28289

DUAL INLET PRESSURE BLOCK	
DESCRIPTION	PART NO. ②
3 Common Ports or 1 Common Port	M-08003

FLOW CONTROL & MUFFLER	
AVAILABLE FOR:	PART NO.
All Models with Individual 1/4" Exhaust Ports(NPTF only)	10951

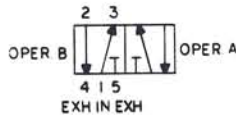
② For BSPP threads, add letter "P" at the end of the part No. e.g., M-08001-03-01P.

Consult "Precautions" on inside back cover before use, installation or service of MAC Valves.

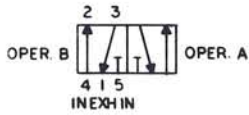
1800 SERIES—SUPPLEMENTAL TECHNICAL DATA

ANSI TYPE SYMBOLS

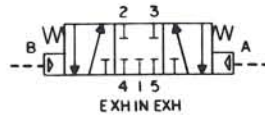
SGL. PRESSURE



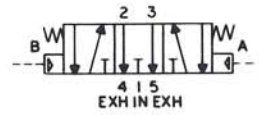
DUAL PRESSURE



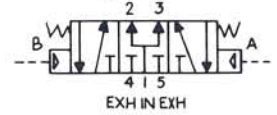
3-POS. C.C.



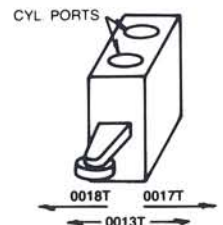
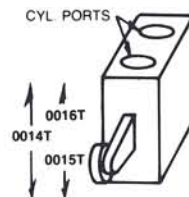
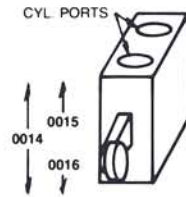
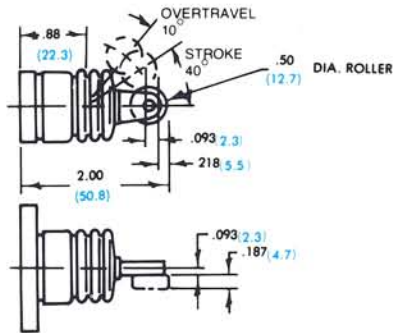
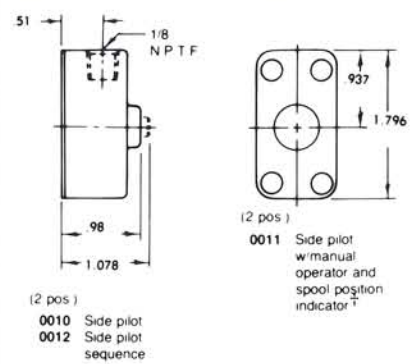
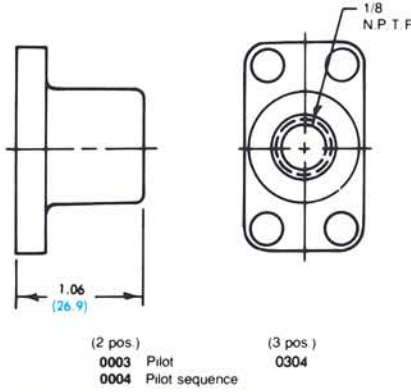
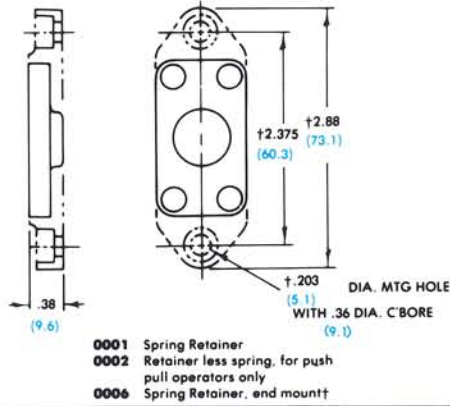
3-POS. O.C.



3-POS. P.C. Sgl. Press



VALVE OPERATORS

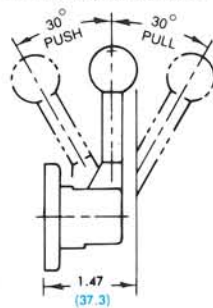


DIMENSIONS SHOWN IN BRACKETS ARE METRIC (MM)

Lever cam operators **0013** and **0014** operate the valve in either direction. Operators **0015** thru **0018** are overriding cams. Arrows indicate direction of operation. Operator numbers apply regardless of whether operator is nearest cylinder Port 2 or 3. Letter T immediately after operator indicates that operator is turned through 180°.

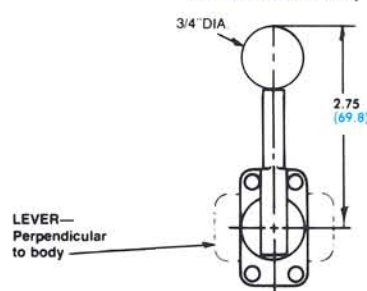
Operators **0013** thru **0018** cam operators

LEVER—Perpendicular to body

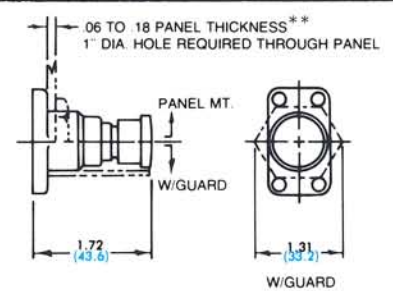


- 0021 Hand lever locking push
- 0022 Hand lever non-locking push
- 0023 Hand lever locking pull
- 0024 Hand lever non-locking pull

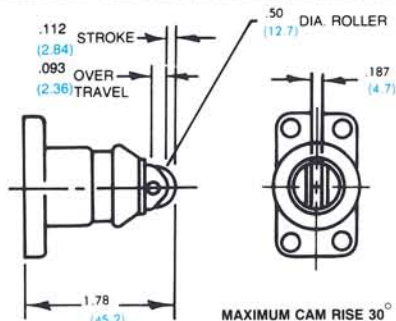
LEVER—Parallel to body



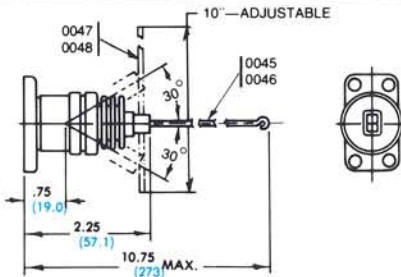
- 0025 Hand lever locking push
- 0026 Hand lever non-locking push
- 0027 Hand lever locking pull
- 0028 Hand lever non-locking pull



- 0031 Push button
- * 0032 Push button panel mount
- 0033 Push button with guard
- 0034 Push pull
- * 0035 Push pull panel mount

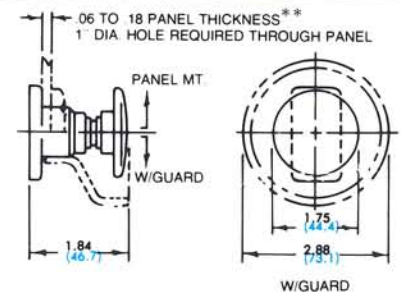


- 0111 Straight cam parallel to body
- 0112 Straight cam perpendicular to body.



WHISKER OPERATORS

- 0045 Vertical—Operation perpendicular to body
- 0046 Vertical—Operation parallel to body
- 0047 Horizontal—Operation perpendicular to body
- 0048 Horizontal—Operation parallel to body



- 0036 Palm button
- * 0037 Palm button panel mount
- 0038 Palm button with guard
- 0039 Palm button push pull

Certain MAC Valves are approved by U.L. & C.S.A. For details see Technical Section.
Consult "Precautions" on inside back cover before use, installation or service of MAC Valves.

C22