



R e m o t e a i r v a l v e s

Individual mounting

sub-base
----------

Series

1100

55

56

57

58

59

700

900

82

6300

6500

6600

**2700**

1800

ISO 1

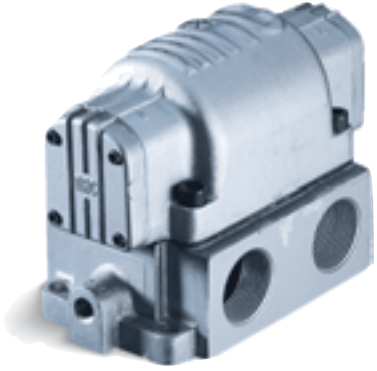
ISO 2

ISO 3

Function	Port size	Flow [Max]	Individual mounting	Series
<b>4/2 - 4/3</b>	<b>3/4" - 1" - 1 1/4" - 1 1/2"</b>	<b>15.9 C<sub>v</sub></b>	sub-base	

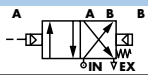
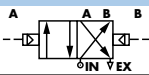
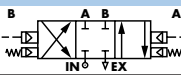
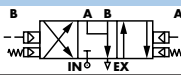
**OPERATIONAL BENEFITS**

1. Balanced spool, immune to variations of pressure.
2. Short stroke with high flow.
3. The piston (booster) provides maximum shifting forces.
4. Powerful return thanks to the combination of mechanical and air springs.
5. Bonded spool with minimum friction, shifting in a glass-like finished bore.
6. Wiping effect eliminates sticking.
7. Low leakage rate.



- 1100
- 55
- 56
- 57
- 58
- 59
- 700
- 900
- 82
- 6300
- 6500
- 6600
- 2700**
- 1800
- ISO 1
- ISO 2
- ISO 3

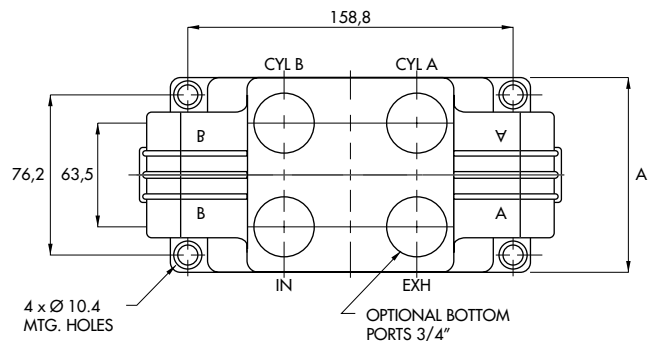
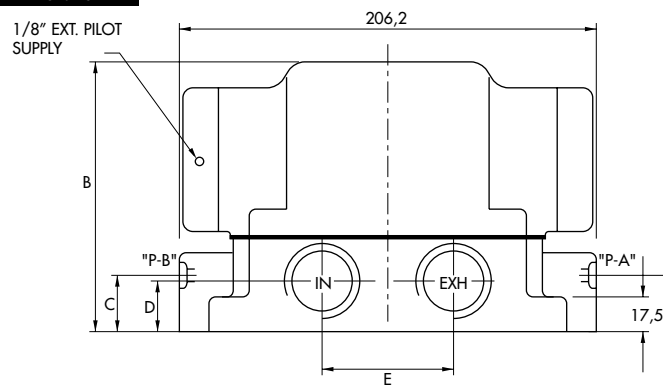
**HOW TO ORDER**

Port size	Pilot air	4/2 Single operator	4/2 Double operator	4/3 Closed center	4/3 Open center
					
<b>Valve less base</b>		2701G-1			
<b>Sub-base 3/4" NPTF</b>	Internal	2721G-1			
<b>Sub-base 1" NPTF</b>		2731G-1			
<b>Sub-base 1 1/4" NPTF</b>		2751G-1			
<b>Sub-base 1 1/2" NPTF</b>		2761G-1			
<b>Valve less base</b>			2701G-2	2703G-2	2707G-2
<b>Sub-base 3/4" NPTF</b>	External	2721G-2	2723G-2	2727G-2	2728G-2
<b>Sub-base 1" NPTF</b>		2731G-2	2733G-2	2737G-2	2738G-2
<b>Sub-base 1 1/4" NPTF</b>		2751G-2	2753G-2	2757G-2	2758G-2
<b>Sub-base 1 1/2" NPTF</b>		2761G-2	2763G-2	2767G-2	2768G-2

TECHNICAL DATA	
Fluid :	Compressed air, vacuum, inert gases
Pressure range :	Vacuum to 150 PSI
Air signal pressure :	Single operator and 3 positions : 25 to 150 PSI $\geq$ main valve pressure      Double operator : 10 to 150 PSI
Lubrication :	Not required, if used select a medium aniline point lubricant (between 180°F to 210°F)
Filtration :	40 $\mu$
Temperature range :	0°F to 120°F (-18°C to 50°C)
Flow (at 6 bar, $\Delta P=1$ bar) :	3/4" : (11.5 C <sub>v</sub> ), 1" : (13.4 C <sub>v</sub> ), 1 1/4" : (15.4 C <sub>v</sub> ), 1 1/2" : (15.9 C <sub>v</sub> )

- Spare parts :      • Remote air end plate : R-00016B. • Pressure seal between valve and base : 16083. • Mounting screw valve to base (x4) : 32214.
- Options :            • BSPP threads.

**DIMENSIONS** Dimensions shown are metric (mm)



	A	B	C	D	E
<b>3/4" NPTF</b>	95.3	132.3	28.4	25.4	63.5
<b>1" NPTF</b>					
<b>1 1/4" NPTF</b>	114.3	148.3	23.9	30.2	76.2
<b>1 1/2" NPTF</b>					69.9