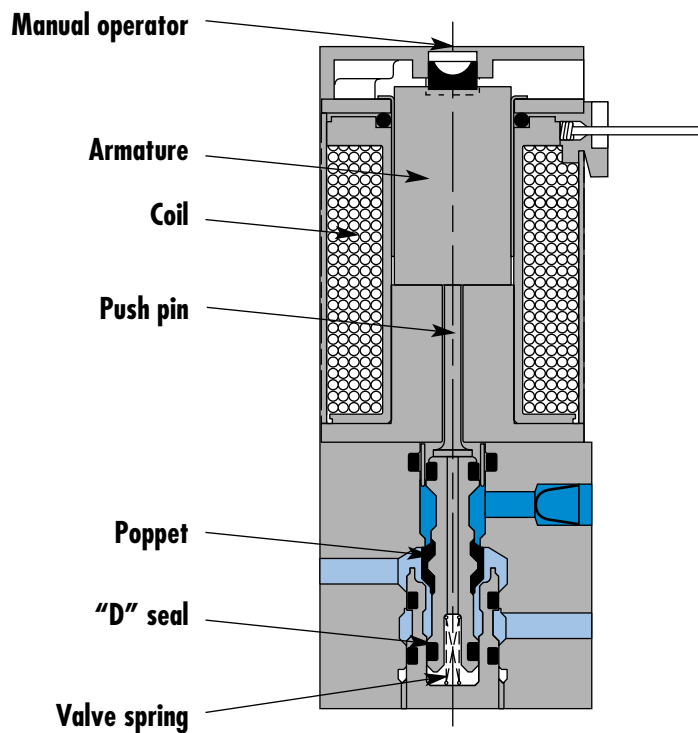


Circuit bar mounting

non plug-in cylinder ports in base	non plug-in cylinder ports in valve	plug-in	plug-in with F. C.	plug-in with Pr. Reg.	plug-in with Pr. Reg. and F. C.	add-on style plug-in	add-on style plug-in with F. C.
add-on style plug-in with Pr. Reg.	add-on style plug-in with Pr. Reg. and F. C.	plug-in add-a-unit stations	plug-in add-a-unit stations with F. C.	plug-in add-a-unit stations with Pr. Reg.	plug-in add-a-unit stations with F. C. and Pr. Reg.	plug-in with pre-wired connector	plug-in with F. C. and pre-wired connector
plug-in with Pr. Reg. and pre-wired connector	din rail, plug-in with pre-wired connector	din rail, plug-in with F. C. and pre-wired connector					



SERIES FEATURES

- High force MACSOLENOID®.
- Universal porting.
- #10-32 or M5 ports.
- Rated for lubricated or non-lubricated service.
- 10mm direct operated.
- Cylinder port in valve or in circuit bar.



Direct solenoid and solenoid pilot operated valves

Function	Port size	Flow [Max]	Circuit bar mounting
3/2 NO-NC	M5 - #10-32	0.11C_v	non plug-in cylinder ports in base

OPERATIONAL BENEFITS

1. 10 mm valve, direct solenoid operated.
2. Balanced poppet, immune to variations of pressure.
3. Short stroke with high flow.
4. The patented solenoid develops high shifting forces.
5. Powerful return spring.
6. Flow is specifically adjusted on each valve.
7. Manual operator standard on all valves.

Reset



HOW TO ORDER

34B-xxx-Gxxx-xxx

HOW TO ORDER VALVE FOR CIRCUIT BAR MOUNTING

Port size (see base)	Universal valve	NC only valve
Pressure range : 0 to 120 PSI	<input type="radio"/> 34B-100-Gxxx-xxx	<input type="radio"/> 34B-NOO-Gxxx-xxx

SOLENOID OPERATOR >

G **XX X-X XX'**

XX Voltage	X Wire length	X Manual operator	XX Electrical connection
<input type="radio"/> DC 24VDC (1.8 W)	<input type="radio"/> A 18"	<input type="radio"/> 1 Non-locking	<input type="radio"/> KA Mini connector
<input type="radio"/> DD 24VDC (2.5 W)	<input type="radio"/> C 36"		<input type="radio"/> KT Mini connector with light
<input type="radio"/> DF 24VDC (4.0 W)	<input type="radio"/> X Other Options		<input type="radio"/> BA Flying leads
<input type="radio"/> XX Other Options			<input type="radio"/> BT Flying leads with light
			<input type="radio"/> XX Other Options

EBP34B-xxxx-xx

HOW TO ORDER CIRCUIT BAR

Port size	Side cylinder ports	Bottom cylinder ports
M5	<input type="radio"/> EBP34B-001D-xx	<input type="radio"/> EBP34B-002D-xx
# 10-32	<input type="radio"/> EBP34B-001B-xx	<input type="radio"/> EBP34B-002B-xx

Number of stations (03=3 stations)

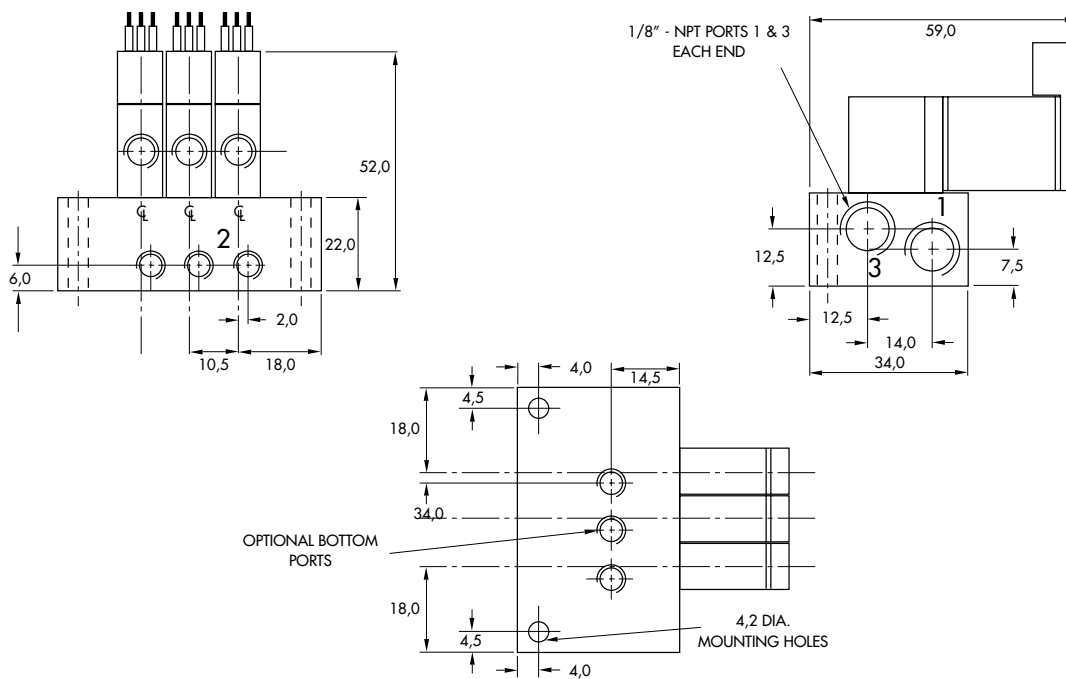
Note : clic for valves mounted on base at the factory, add - 9 to the model number.

**TECHNICAL
DATA**

Fluid :	Compressed air, vacuum, inert gases
Pressure range :	Vacuum to 120 PSI
Lubrication :	Not required, if used select a medium aniline point lubricant (between 180°F and 210°F)
Filtration :	40 µ
Temperature range :	0°F to 120°F (-18°C to 50°C)
Orifice :	1.8 mm
Flow (at 6 bar, ΔP=1bar) :	4 W : 0.11C _v , 2.5 W : 0.084C _v , 1.8 W : 0.061C _v
Coil :	General purpose class A, continuous duty, encapsulated
Voltage range :	-15% to +10% of nominal voltage
Power :	4 W - 2.5 W - 1.8 W
Response times (with 4 W coil) :	Energize : 3.4 ms De-energize : 1.5 ms

- Note : • Valve and coil are not interchangeable.
- Spare parts : • Seal between valve and bar : 16595. • Mounting screw (x2) : 35031. • Blanking plate : M-34005.
- Options : • Isolation of inlet and/or exhaust. Special bar. Consult factory.

DIMENSIONS



Function	Port size (Inlet & Exhaust)	Flow (Max)	Circuit bar mounting
3/2 NO-NC	# 10-32 - 1/8"	0.11C_v	non plug-in cylinder ports in valve

OPERATIONAL BENEFITS

1. 10 mm valve, direct solenoid operated.
2. Balanced poppet, immune to variations of pressure.
3. Short stroke with high flow.
4. The patented solenoid develops high shifting forces.
5. Powerful return spring.
6. Flow is specifically adjusted on each valve.
7. Manual operator standard on all valves.

Reset



HOW TO ORDER

34B-xxx-Gxxx-xxx

HOW TO ORDER VALVE FOR CIRCUIT BAR MOUNTING

Valve port size	Universal valve	NC only valve
M5	<input type="radio"/> 34B-ABA-Gxxx-xxx	<input type="radio"/> 34B-ABB-Gxxx-xxx
# 10-32	<input type="radio"/> 34B-AAA-Gxxx-xxx	<input type="radio"/> 34B-AAB-Gxxx-xxx

SOLENOID OPERATOR >

G **XX X- X XX**

XX Voltage	X Wire length	X Manual operator	XX Electrical connection
<input type="radio"/> DC 24VDC (1.8 W)	<input type="radio"/> A 18"	<input type="radio"/> 1 Non-locking	<input type="radio"/> KA Mini connector
<input type="radio"/> DD 24VDC (2.5 W)	<input type="radio"/> C 36"		<input type="radio"/> KT Mini connector with light
<input type="radio"/> DF 24VDC (4.0 W)	<input type="radio"/> x Other Options		<input type="radio"/> BA Flying leads
<input type="radio"/> xx Other Options			<input type="radio"/> BT Flying leads with light
			<input type="radio"/> xx Other Options

EBM34A-xxxx-xx

HOW TO ORDER CIRCUIT BAR

Port size COMMON INLET & EXHAUST	
# 10-32	<input type="radio"/> EBM34A-001B-xx
1/8" NPTF	<input type="radio"/> EBM34A-002A-xx

Number of stations (03=3 stations)

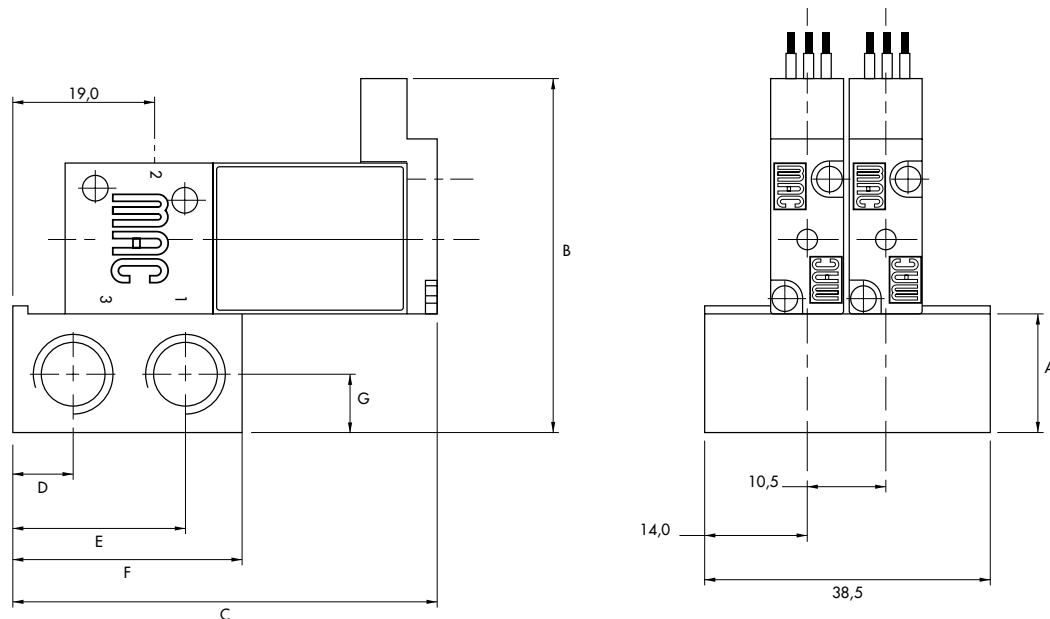
Note : clic for valves mounted on base at the factory, add - 9 to the model number.

**TECHNICAL
DATA**

Fluid :	Compressed air, vacuum, inert gases
Pressure range :	Vacuum to 120 PSI
Lubrication :	Not required, if used select a medium aniline point lubricant (between 180°F and 210°F)
Filtration :	40 µ
Temperature range :	0°F to 120°F (-18°C to +50°C)
Orifice :	1.8 mm
Flow (at 6 bar, ΔP=1bar) :	4 W : 0.11C _v , 2.5 W : 0.084C _v , 1.8 W : 0.061C _v
Coil :	General purpose class A, continuous duty, encapsulated
Voltage range :	-15% to +10% of nominal voltage
Power :	4 W - 2.5 W - 1.8 W
Response times :	Energize : 3.4 ms
(with 4 W coil)	De-energize : 1.5 ms

- Note : • Valve and coil are not interchangeable.
- Spare parts : • Valve fastening kit : M34001-01 (1/8" Bar); M34001-21 (#10-32 Bar) • Blanking plate : 30456-A.
- Options : • Isolation of inlet and/or exhaust. Special bar. Consult factory.

DIMENSIONS



Port size	A	B	C	D	E	F	G
1/8"	16.0	47.5	57.4	8.0	23.0	31.0	8.0
M5	12.0	43.5	51.5	9.0	18.0	26.0	6.0

Function	Port size	Flow [Max]	Circuit bar mounting
3/2 NO-NC	M5 - #10-32	0.10C_v	plug-in

OPERATIONAL BENEFITS

1. 10 mm valve, direct solenoid operated.
2. Balanced poppet, immune to variations of pressure.
3. Short stroke with high flow.
4. The patented solenoid develops high shifting forces.
5. Powerful return spring.
6. Flow is specifically adjusted on each valve.
7. Manual operator standard on all valves.



HOW TO ORDER

34B-xxx-GxxO-xxx

HOW TO ORDER VALVE FOR CIRCUIT BAR MOUNTING

Port size (see base)	Universal valve	NC only valve
Valve less base	<input type="radio"/> 34B-100-GxxO-xxx	<input type="radio"/> 34B-NOO-GxxO-xxx

SOLENOID OPERATOR

G XX O - X XX

XX Voltage	X Manual operator	XX Electrical connection
<input type="radio"/> DC 24VDC (1.8 W)	<input type="radio"/> 1 Non-locking	<input type="radio"/> DJ Plug-in
<input type="radio"/> DD 24VDC (2.5 W)		<input type="radio"/> DT Plug-in with light
<input type="radio"/> DF 24VDC (4.0 W)		<input type="radio"/> DE Plug-in with suppression diode
<input type="radio"/> xx Other Options		<input type="radio"/> DV Plug-in with light and suppression diode
		<input type="radio"/> xx Other Options

ECD034B-00xxx-AOxx

HOW TO ORDER CIRCUIT BAR

Port size	Side cylinder ports (10.5 mm)	Bottom cylinder ports (10.5 mm)
M5	<input type="radio"/> ECD034B-001AD-AOxx	<input type="radio"/> ECD034B-002AD-AOxx
# 10-32	<input type="radio"/> ECD034B-001AB-AOxx	<input type="radio"/> ECD034B-002AB-AOxx

Number of stations (03=3 stations)

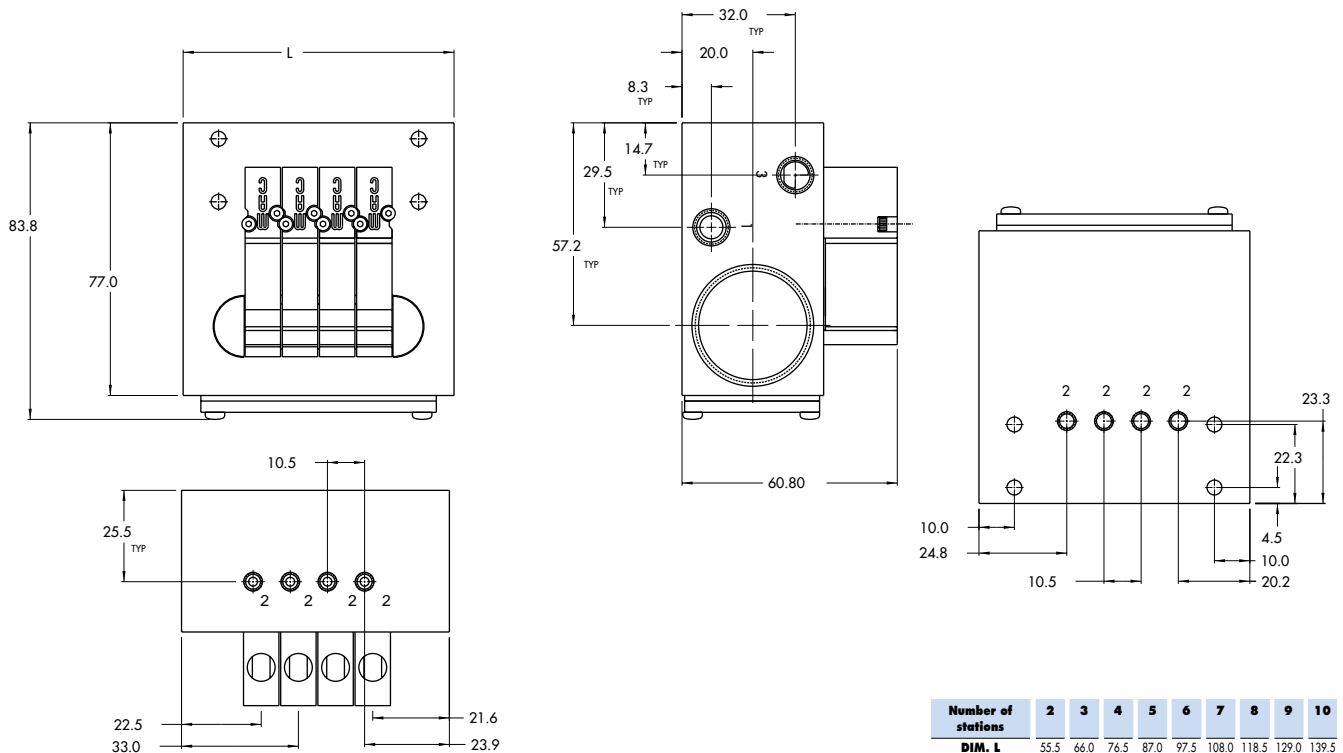
Note : clic for valves mounted on base at the factory, add - 9 to the model number.
 clic for multi-pin connector option (9, 15 or 25).

**TECHNICAL
DATA**

Fluid :	Compressed air, vacuum, inert gases
Pressure range :	Vacuum to 120 PSI
Lubrication :	Not required, if used select a medium aniline point lubricant (between 180°F and 210°F)
Filtration :	40 µ
Temperature range :	0°F to 120°F (-18°C to +50°C)
Orifice :	1.8 mm
Flow (at 6 bar, ΔP=1bar) :	4 W : 0.10C _v , 2.5 W : 0.09C _v , 1.8 W : 0.07C _v
Coil :	General purpose class A, continuous duty, encapsulated
Voltage range :	-15% to +10% of nominal voltage
Power :	4 W - 2.5 W - 1.8 W
Response times :	Energize : 4 ms
(with 4 W coil)	De-energize : 1.5 ms

- Note : • Valve and coil are not interchangeable.
- Spare parts : • Seal between valve and bar : 16595. • Mounting screw (x2) : 35031. • Blanking plate : M-34005.
• Base wire Plug-in protector : 24180.
- Options : • Isolation of inlet and/or exhaust. • BSPP Threads.

DIMENSIONS



Function	Port size	Flow [Max]	Circuit bar mounting
3/2 NO-NC	M5 - #10-32	0.10C_v	plug-in with F. C.

OPERATIONAL BENEFITS

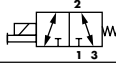
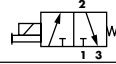
1. 10 mm valve, direct solenoid operated.
2. Balanced poppet, immune to variations of pressure.
3. Short stroke with high flow.
4. The patented solenoid develops high shifting forces.
5. Powerful return spring.
6. Flow is specifically adjusted on each valve.
7. Manual operator standard on all valves.



HOW TO ORDER

34B-xxx-GxxO-xxx

HOW TO ORDER VALVE FOR CIRCUIT BAR MOUNTING

Port size (see base)	Universal valve	NC only valve
		
Valve less base	<input type="radio"/> 34B-100-GxxO-xxx	<input type="radio"/> 34B-NOO-GxxO-xxx

SOLENOID OPERATOR >

G **XX** O- **X** **XX** *

XX Voltage	X Manual operator	XX Electrical connection
<input type="radio"/> DC 24VDC (1.8 W)	<input type="radio"/> 1 Non-locking	<input type="radio"/> DJ Plug-in
<input type="radio"/> DD 24VDC (2.5 W)		<input type="radio"/> DT Plug-in with light
<input type="radio"/> DF 24VDC (4.0 W)		<input type="radio"/> DE Plug-in with suppression diode
<input type="radio"/> xx Other Options		<input type="radio"/> DV Plug-in with light and suppression diode
		<input type="radio"/> xx Other Options

ECD034B-00xxx-AOxx

HOW TO ORDER CIRCUIT BAR WITH FLOW CONTROLS

Port size	Side cylinder ports (10.5 mm)	Bottom cylinder ports (10.5 mm)
M5	<input type="radio"/> ECD034B-005AD-AOxx	<input type="radio"/> ECD034B-006AD-AOxx
# 10-32	<input type="radio"/> ECD034B-005AB-AOxx	<input type="radio"/> ECD034B-006AB-AOxx

Number of stations (03=3 stations)

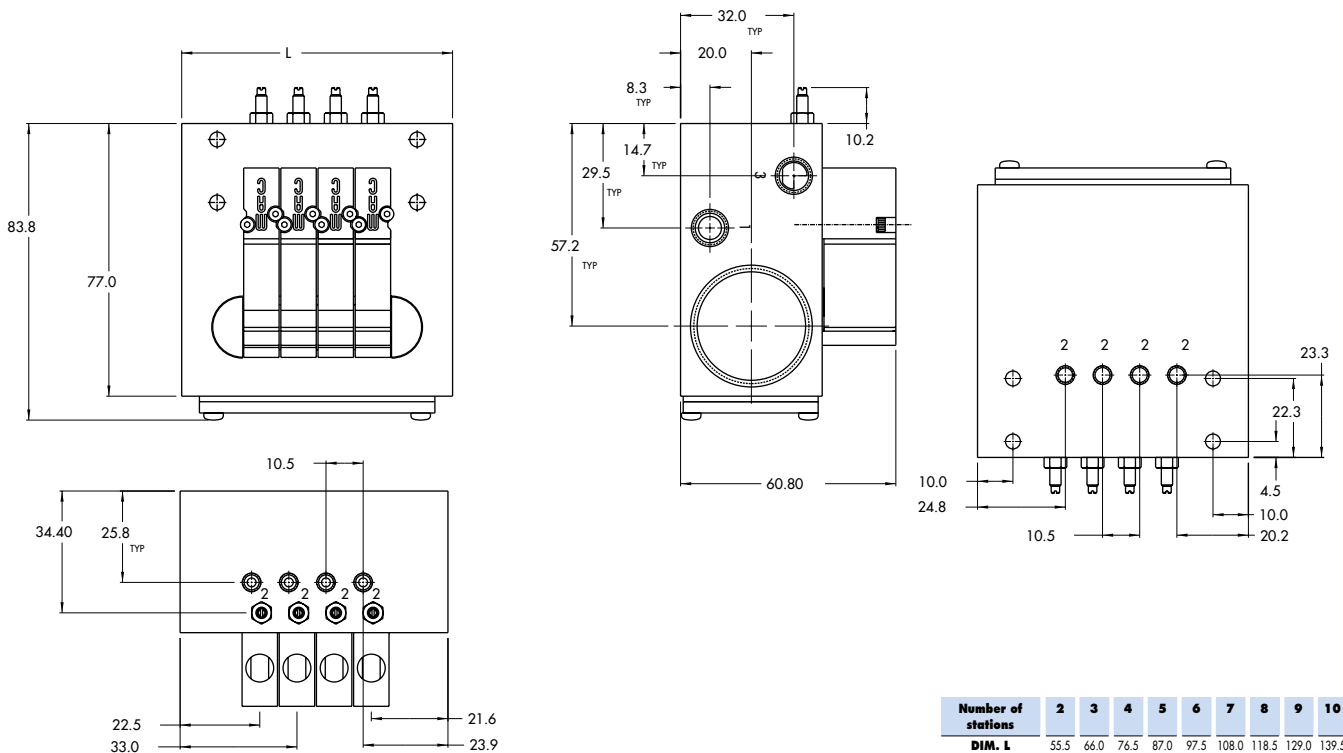
Note : clic for valves mounted on base at the factory, add - 9 to the model number.
 clic for multi-pin connector option (9, 15 or 25).

**TECHNICAL
DATA**

Fluid :	Compressed air, vacuum, inert gases
Pressure range :	Vacuum to 120 PSI
Lubrication :	Not required, if used select a medium aniline point lubricant (between 180°F and 210°F)
Filtration :	40 µ
Temperature range :	0°F to 120°F (-18°C to +50°C)
Orifice :	1.8 mm
Flow (at 6 bar, ΔP=1bar) :	4 W : 0.10C _v , 2.5 W : 0.09C _v , 1.8 W : 0.07C _v
Coil :	General purpose class A, continuous duty, encapsulated
Voltage range :	-15% to +10% of nominal voltage
Power :	4 W - 2.5 W - 1.8 W
Response times :	Energize : 4 ms
(with 4 W coil)	De-energize : 1.5 ms

- Note : • Valve and coil are not interchangeable.
- Spare parts : • Seal between valve and bar : 16595. • Mounting screw (x2) : 35031. • Blanking plate : M-34005.
• Base wire Plug-in protector : 24180.
- Options : • Isolation of inlet and/or exhaust. • BSPP Threads.

DIMENSIONS



Function	Port size	Flow [Max]	Circuit bar mounting
3/2 NO-NC	M5 - #10-32	0.10C_v	plug-in with Pr. Reg.

OPERATIONAL BENEFITS

1. 10 mm valve, direct solenoid operated.
2. Balanced poppet, immune to variations of pressure.
3. Short stroke with high flow.
4. The patented solenoid develops high shifting forces.
5. Powerful return spring.
6. Flow is specifically adjusted on each valve.
7. Manual operator standard on all valves.



HOW TO ORDER

34B-xxx-GxxO-xxx

HOW TO ORDER VALVE FOR CIRCUIT BAR MOUNTING

Port size (see base)	Universal valve	NC only valve
Valve less base	<input type="radio"/> 34B-100-GxxO-xxx	<input type="radio"/> 34B-N00-GxxO-xxx

SOLENOID OPERATOR >

G XX O - X XX*

XX Voltage	X Manual operator	XX Electrical connection
<input type="radio"/> DC 24VDC (1.8 W)	<input type="radio"/> 1 Non-locking	<input type="radio"/> DJ Plug-in
<input type="radio"/> DD 24VDC (2.5 W)		<input type="radio"/> DT Plug-in with light
<input type="radio"/> DF 24VDC (4.0 W)		<input type="radio"/> DE Plug-in with suppression diode
<input type="radio"/> xx Other Options		<input type="radio"/> DV Plug-in with light and suppression diode
		<input type="radio"/> xx Other Options

ECD034B-00xxx-AOxx

HOW TO ORDER CIRCUIT BAR FOR PRESSURE REGULATORS ** (to be ordered separately)

Port size	Bottom cylinder ports (10.5 mm)	Side cylinder ports (10.5 mm)
M5	<input type="radio"/> ECD034B-004AD-AOxx	<input type="radio"/> ECD034B-003AD-AOxx
# 10-32	<input type="radio"/> ECD034B-004AB-AOxx	<input type="radio"/> ECD034B-003AB-AOxx

Number of stations (03=3 stations)

Note : clic for valves mounted on base at the factory, add - 9 to the model number.
 clic for multi-pin connector option (9, 15 or 25).

** Pressure Regulators :

PR44A-AOxx

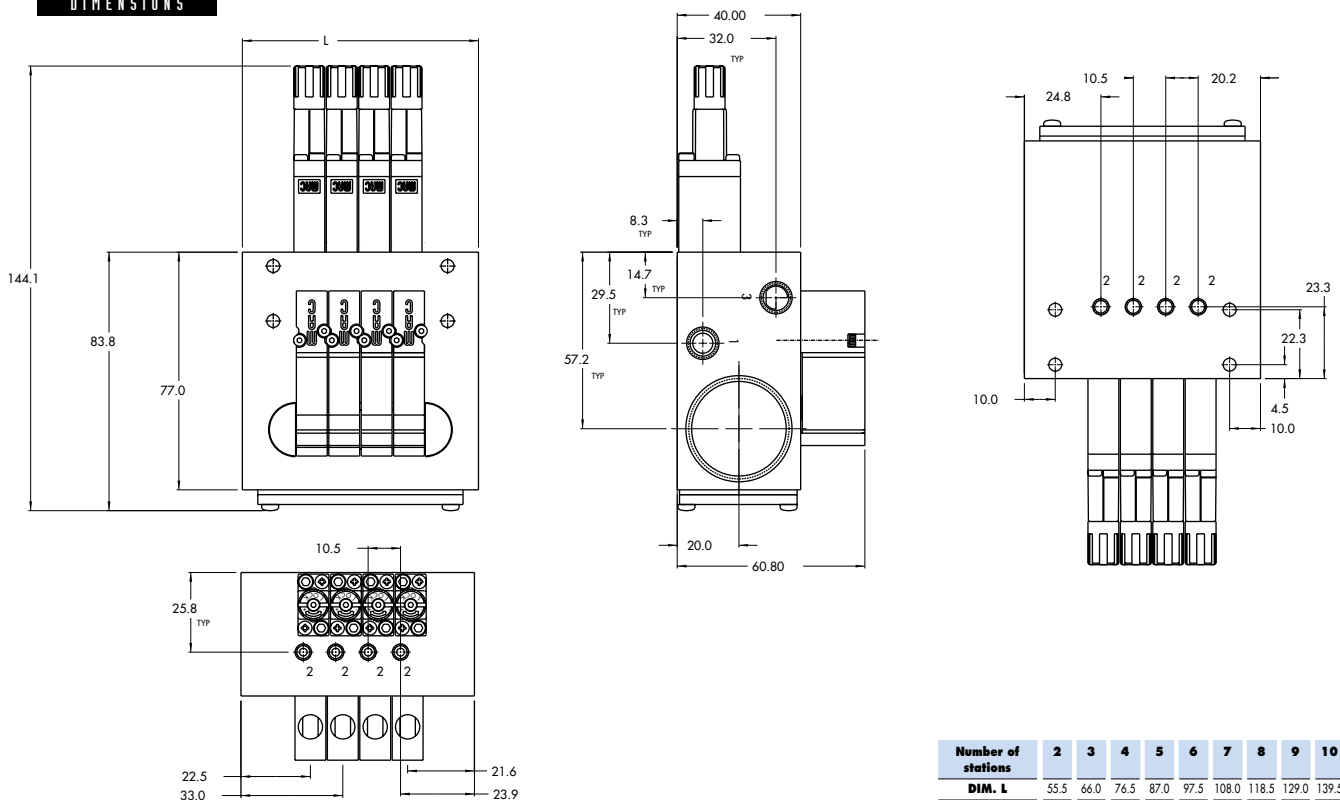
- Y=A (no gage port)
- Y=B (with gage port)
- X=A (0 to 100 PSI)
- X=B (0 to 60 PSI)
- X=C (0 to 40 PSI)
- X=D (0 to 15 PSI)

**TECHNICAL
DATA**

Fluid :	Compressed air, vacuum, inert gases
Pressure range :	Vacuum to 120 PSI
Lubrication :	Not required, if used select a medium aniline point lubricant (between 180°F and 210°F)
Filtration :	40 µ
Temperature range :	0°F to 120°F (-18°C to +50°C)
Orifice :	1.8 mm
Flow (at 6 bar, ΔP=1bar) :	4 W : 0.10C _v , 2.5 W : 0.09C _v , 1.8 W : 0.07C _v
Coil :	General purpose class A, continuous duty, encapsulated
Voltage range :	-15% to +10% of nominal voltage
Power :	4 W - 2.5 W - 1.8 W
Response times :	Energize : 4 ms
(with 4 W coil)	De-energize : 1.5 ms

- Note : • Valve and coil are not interchangeable.
- Spare parts : • Seal between valve and bar : 16595. • Mounting screw (x2) : 35031. • Blanking plate : M-34005.
• Blanking plate for regulator : N-44003. • Base wire Plug-in protector : 24180.
- Options : • Isolation of inlet and/or exhaust. • BSPP Threads.

DIMENSIONS

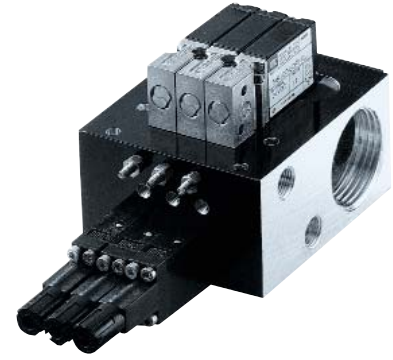


Function	Port size	Flow [Max]	Circuit bar mounting
3/2 NO-NC	M5 - #10-32	0.09C_v	plug-in with Pr. Reg. and F. C.

OPERATIONAL BENEFITS

1. 10 mm valve, direct solenoid operated.
2. Balanced poppet, immune to variations of pressure.
3. Short stroke with high flow.
4. The patented solenoid develops high shifting forces.
5. Powerful return spring.
6. Flow is specifically adjusted on each valve.
7. Manual operator standard on all valves.

Reset



HOW TO ORDER

34B-xxx-GxxO-xxx

HOW TO ORDER VALVE FOR CIRCUIT BAR MOUNTING

Port size (see base)	Universal valve	NC only valve
Valve less base	<input type="radio"/> 34B-100-GxxO-xxx	<input type="radio"/> 34B-NOO-GxxO-xxx

SOLENOID OPERATOR >

G XX O - X XX *

XX Voltage	X Manual operator	XX Electrical connection
<input type="radio"/> DC 24VDC (1.8 W)	<input type="radio"/> 1 Non-locking	<input type="radio"/> DJ Plug-in
<input type="radio"/> DD 24VDC (2.5 W)		<input type="radio"/> DT Plug-in with light
<input type="radio"/> DF 24VDC (4.0 W)		<input type="radio"/> DE Plug-in with suppression diode
<input type="radio"/> xx Other Options		<input type="radio"/> DV Plug-in with light and suppression diode
		<input type="radio"/> xx Other Options

ECD034B-00xxx-AOxx

HOW TO ORDER CIRCUIT BAR WITH FLOW CONTROLS AND PRESSURE REGULATORS ** (pressure regulators to be ordered separately)

Port size	Bottom cylinder ports (10.5 mm)	Side cylinder ports (10.5 mm)
M5	<input type="radio"/> ECD034B-007AD-AOxx	<input type="radio"/> ECD034B-008AD-AOxx
# 10-32	<input type="radio"/> ECD034B-007AB-AOxx	<input type="radio"/> ECD034B-008AB-AOxx

Number of stations (03=3 stations)
 Note: clic for valves mounted on base at the factory, add - 9 to the model number.
 clic for multi-pin connector option (9, 15 or 25).

** Pressure Regulators :

PR44A-AOxx

- Y=A (no gage port)
- Y=B (with gage port)
- X=A (0 to 100 PSI)
- X=B (0 to 60 PSI)
- X=C (0 to 40 PSI)
- X=D (0 to 15 PSI)

**TECHNICAL
DATA**

Fluid :	Compressed air, vacuum, inert gases
Pressure range :	Vacuum to 120 PSI
Lubrication :	Not required, if used select a medium aniline point lubricant (between 180°F and 210°F)
Filtration :	40 µ
Temperature range :	0°F to 120°F (-18°C to +50°C)
Orifice :	1.8 mm
Flow (at 6 bar, ΔP=1bar) :	4 W : 0.10C _v , 2.5 W : 0.09C _v , 1.8 W : 0.07C _v
Coil :	General purpose class A, continuous duty, encapsulated
Voltage range :	-15% to +10% of nominal voltage
Power :	4 W - 2.5 W - 1.8 W
Response times :	Energize : 4 ms
(with 4 W coil)	De-energize : 1.5 ms

Note :

- Valve and coil are not interchangeable.

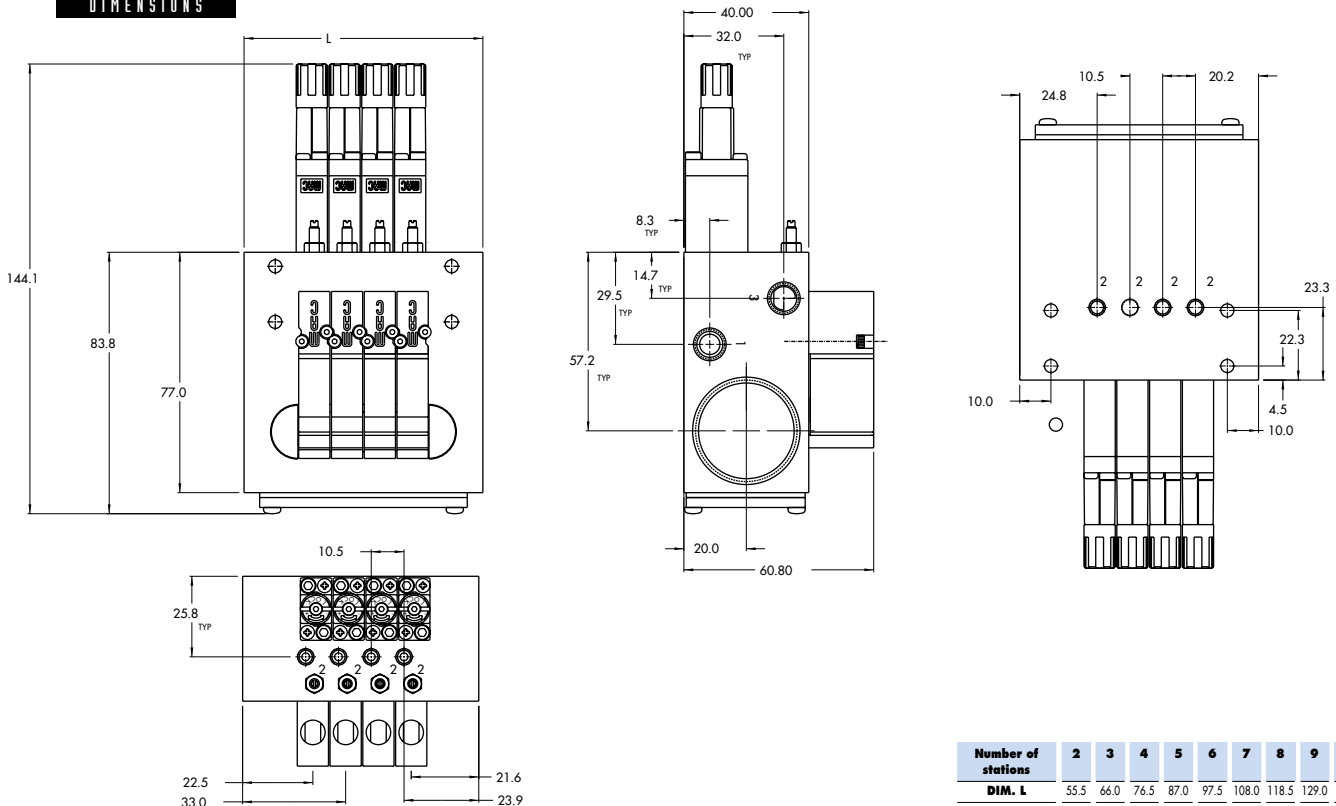
Spare parts :

- Seal between valve and bar : 16595.
- Mounting screw (x2) : 35031.
- Blanking plate : M-34005.
- Base wire Plug-in protector : 24180.
- Blanking plate for regulator : N-44003.

Options :

- Isolation of inlet and/or exhaust.
- BSPP Threads.

DIMENSIONS



Function	Port size	Flow [Max]	Circuit bar mounting
3/2 NO-NC	M5 - #10-32	0.10C_v	add-on style plug-in

OPERATIONAL BENEFITS

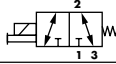
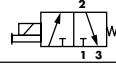
1. 10 mm valve, direct solenoid operated.
2. Balanced poppet, immune to variations of pressure.
3. Short stroke with high flow.
4. The patented solenoid develops high shifting forces.
5. Powerful return spring.
6. Flow is specifically adjusted on each valve.
7. Manual operator standard on all valves.



HOW TO ORDER

34B-xxx-GxxO-xxx

HOW TO ORDER VALVE FOR CIRCUIT BAR MOUNTING

Port size (see base)	Universal valve	NC only valve
		
Valve less base	<input type="radio"/> 34B-100-GxxO-xxx	<input type="radio"/> 34B-NOO-GxxO-xxx

SOLENOID OPERATOR >

G **XX** O- **X** **XX** *

XX Voltage	X Manual operator	XX Electrical connection
<input type="radio"/> DC 24VDC (1.8 W)	<input type="radio"/> 1 Non-locking	<input type="radio"/> DJ Plug-in
<input type="radio"/> DD 24VDC (2.5 W)		<input type="radio"/> DT Plug-in with light
<input type="radio"/> DF 24VDC (4.0 W)		<input type="radio"/> DE Plug-in with suppression diode
<input type="radio"/> xx Other Options		<input type="radio"/> DV Plug-in with light and suppression diode
		<input type="radio"/> xx Other Options

ECD034B-00xxx-AOxx

HOW TO ORDER CIRCUIT BAR

Port size	Side cylinder ports (10.5 mm)	Bottom cylinder ports (10.5 mm)
M5	<input type="radio"/> ECD034B-001BD-AOxx	<input type="radio"/> ECD034B-002BD-AOxx
# 10-32	<input type="radio"/> ECD034B-001BB-AOxx	<input type="radio"/> ECD034B-002BB-AOxx

Number of stations (03=3 stations)

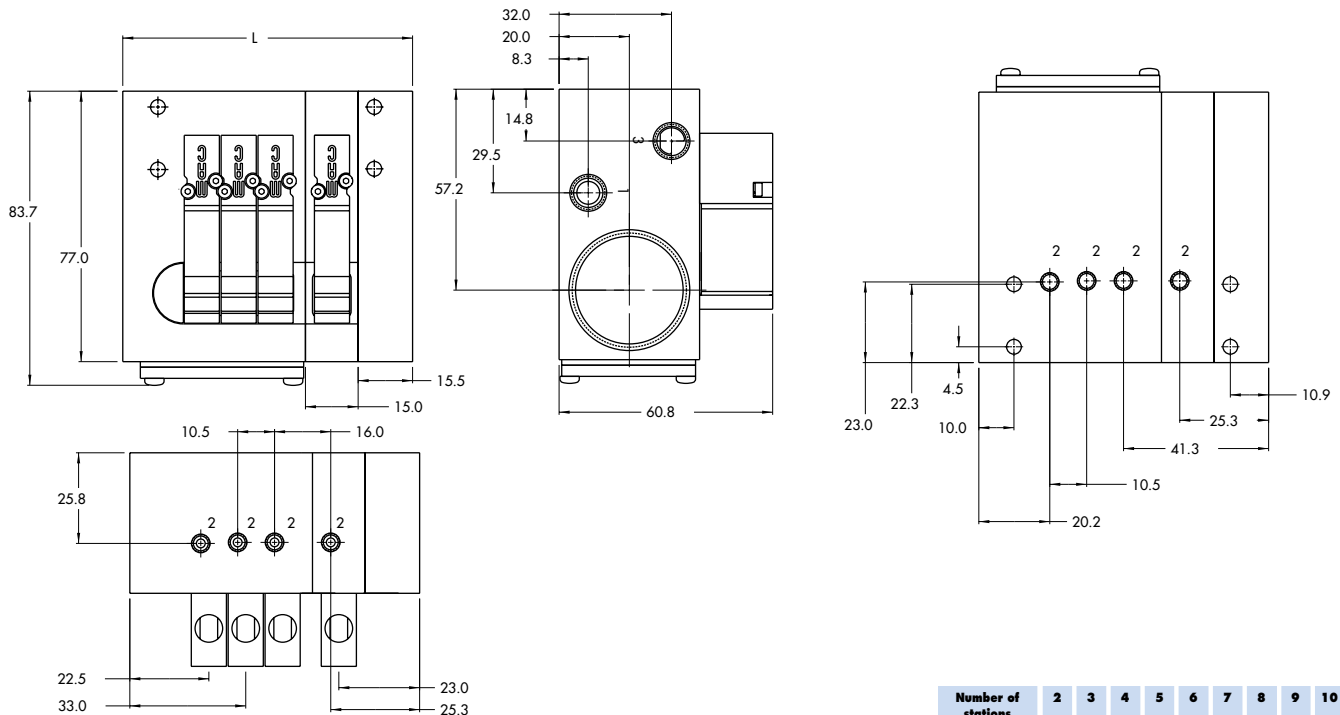
Note : clic for valves mounted on base at the factory, add - 9 to the model number.
 clic for multi-pin connector option (9, 15 or 25).
 add-a-unit stations may be added to above bars. Clic here for model numbers.

TECHNICAL DATA

Fluid :	Compressed air, vacuum, inert gases
Pressure range :	Vacuum to 120 PSI
Lubrication :	Not required, if used select a medium aniline point lubricant (between 180°F and 210°F)
Filtration :	40 µ
Temperature range :	0°F to 120°F (-18°C to +50°C)
Orifice :	1.8 mm
Flow (at 6 bar, ΔP=1bar) :	4 W : 0.10C _v , 2.5 W : 0.09C _v , 1.8 W : 0.07C _v
Coil :	General purpose class A, continuous duty, encapsulated
Voltage range :	-15% to +10% of nominal voltage
Power :	4 W - 2.5 W - 1.8 W
Response times :	Energize : 4 ms
(with 4 W coil)	De-energize : 1.5 ms

- Note :
 - Valve and coil are not interchangeable.
- Spare parts :
 - Seal between valve and bar : 16595. • Mounting screw (x2) : 35031. • Blanking plate : M-34005.
 - Base wire Plug-in protector : 24180.
- Options :
 - Isolation of inlet and/or exhaust. • BSPP Threads.

DIMENSIONS



Function	Port size	Flow [Max]	Circuit bar mounting
3/2 NO-NC	M5 - #10-32	0.10C_v	add-on style plug-in with F. C.

OPERATIONAL BENEFITS

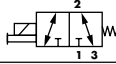
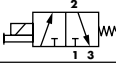
1. 10 mm valve, direct solenoid operated.
2. Balanced poppet, immune to variations of pressure.
3. Short stroke with high flow.
4. The patented solenoid develops high shifting forces.
5. Powerful return spring.
6. Flow is specifically adjusted on each valve.
7. Manual operator standard on all valves.



HOW TO ORDER

34B-xxx-GxxO-xxx

HOW TO ORDER VALVE FOR CIRCUIT BAR MOUNTING

Port size (see base)	Universal valve	NC only valve
		
Valve less base	<input type="radio"/> 34B-100-GxxO-xxx	<input type="radio"/> 34B-NOO-GxxO-xxx

SOLENOID OPERATOR >

G **XX** O- **X XX***

XX Voltage	X Manual operator	XX Electrical connection
<input type="radio"/> DC 24VDC (1.8 W)	<input type="radio"/> 1 Non-locking	<input type="radio"/> DJ Plug-in
<input type="radio"/> DD 24VDC (2.5 W)		<input type="radio"/> DT Plug-in with light
<input type="radio"/> DF 24VDC (4.0 W)		<input type="radio"/> DE Plug-in with suppression diode
<input type="radio"/> xx Other Options		<input type="radio"/> DV Plug-in with light and suppression diode
		<input type="radio"/> xx Other Options

ECD034B-00xxx-AOxx

HOW TO ORDER CIRCUIT BAR WITH FLOW CONTROLS

Port size	Side cylinder ports (10.5 mm)	Bottom cylinder ports (10.5 mm)
M5	<input type="radio"/> ECD034B-005BD-AOxx	<input type="radio"/> ECD034B-006BD-AOxx
# 10-32	<input type="radio"/> ECD034B-005BB-AOxx	<input type="radio"/> ECD034B-006BB-AOxx

Number of stations (03=3 stations)

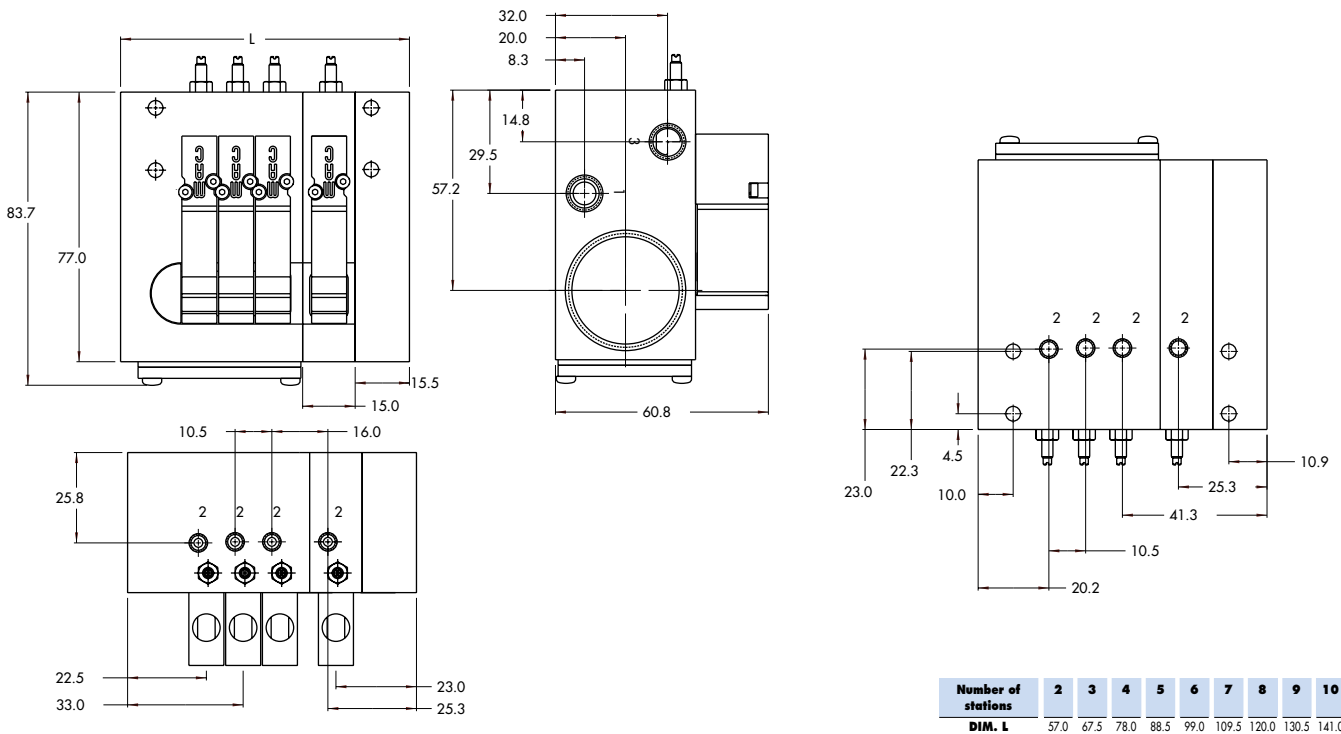
Note : clic for valves mounted on base at the factory, add - 9 to the model number.
 clic for multi-pin connector option (9, 15 or 25).
 add-a-unit stations may be added to above bars. Clic here for model numbers.

**TECHNICAL
DATA**

Fluid :	Compressed air, vacuum, inert gases
Pressure range :	Vacuum to 120 PSI
Lubrication :	Not required, if used select a medium aniline point lubricant (between 180°F and 210°F)
Filtration :	40 µ
Temperature range :	0°F to 120°F (-18°C to +50°C)
Orifice :	1.8 mm
Flow (at 6 bar, ΔP=1bar) :	4 W : 0.10C _v , 2.5 W : 0.09C _v , 1.8 W : 0.07C _v
Coil :	General purpose class A, continuous duty, encapsulated
Voltage range :	-15% to +10% of nominal voltage
Power :	4 W - 2.5 W - 1.8 W
Response times :	Energize : 4 ms
(with 4 W coil)	De-energize : 1.5 ms

- Note : • Valve and coil are not interchangeable.
- Spare parts : • Seal between valve and bar : 16595. • Mounting screw (x2) : 35031. • Blanking plate : M-34005.
• Base wire Plug-in protector : 24180.
- Options : • Isolation of inlet and/or exhaust. • BSPP Threads.

DIMENSIONS



Function	Port size	Flow [Max]	Circuit bar mounting
3/2 NO-NC	M5 - #10-32	0.10C_v	add-on style plug-in with Pr. Reg.

OPERATIONAL BENEFITS

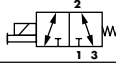
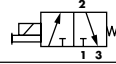
1. 10 mm valve, direct solenoid operated.
2. Balanced poppet, immune to variations of pressure.
3. Short stroke with high flow.
4. The patented solenoid develops high shifting forces.
5. Powerful return spring.
6. Flow is specifically adjusted on each valve.
7. Manual operator standard on all valves.



HOW TO ORDER

34B-xxx-GxxO-xxx

HOW TO ORDER VALVE FOR CIRCUIT BAR MOUNTING

Port size (see base)	Universal valve	NC only valve
		
Valve less base	<input type="radio"/> 34B-100-GxxO-xxx	<input type="radio"/> 34B-NOO-GxxO-xxx

SOLENOID OPERATOR >

G XX O - X XX*

XX Voltage	X Manual operator	XX Electrical connection
<input type="radio"/> DC 24VDC (1.8 W)	<input type="radio"/> 1 Non-locking	<input type="radio"/> DJ Plug-in
<input type="radio"/> DD 24VDC (2.5 W)		<input type="radio"/> DT Plug-in with light
<input type="radio"/> DF 24VDC (4.0 W)		<input type="radio"/> DE Plug-in with suppression diode
<input type="radio"/> xx Other Options		<input type="radio"/> DV Plug-in with light and suppression diode
		<input type="radio"/> xx Other Options

ECD034B-00xxx-AOxx

HOW TO ORDER CIRCUIT BAR FOR PRESSURE REGULATORS ** (to be ordered separately)

Port size	Bottom cylinder ports (10.5 mm)	Side cylinder ports (10.5 mm)
M5	<input type="radio"/> ECD034B-004BD-AOxx	<input type="radio"/> ECD034B-003BD-AOxx
# 10-32	<input type="radio"/> ECD034B-004BB-AOxx	<input type="radio"/> ECD034B-003BB-AOxx

Number of stations (03=3 stations)

Note : clic for valves mounted on base at the factory, add - 9 to the model number.
 clic for multi-pin connector option (9, 15 or 25).
 add-a-unit stations may be added to above bars. Clic here for model numbers.

** Pressure Regulators :

PR44A-AOxx

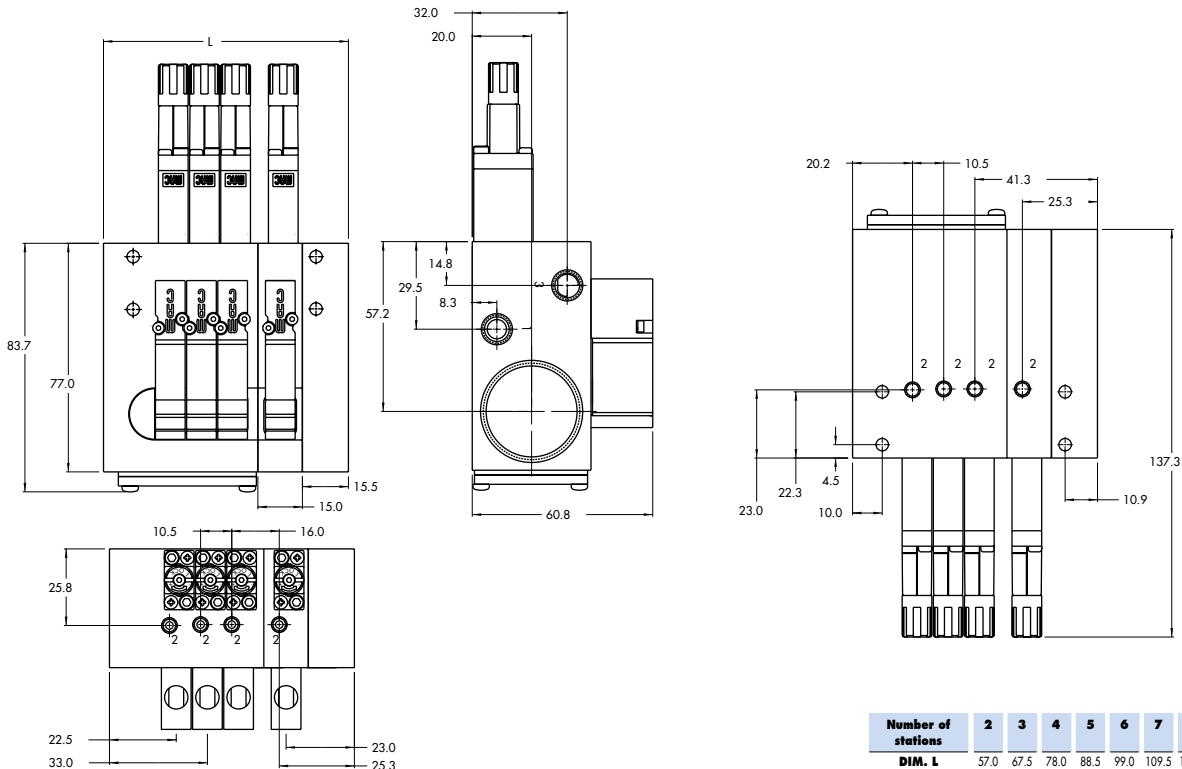
- Y=A (no gage port)
- Y=B (with gage port)
- X=A (0 to 100 PSI)
- X=B (0 to 60 PSI)
- X=C (0 to 40 PSI)
- X=D (0 to 15 PSI)

**TECHNICAL
DATA**

Fluid :	Compressed air, vacuum, inert gases
Pressure range :	Vacuum to 120 PSI
Lubrication :	Not required, if used select a medium aniline point lubricant (between 180°F and 210°F)
Filtration :	40 µ
Temperature range :	0°F to 120°F (-18°C to +50°C)
Orifice :	1.8 mm
Flow (at 6 bar, ΔP=1bar) :	4 W : 0.10C _v , 2.5 W : 0.09C _v , 1.8 W : 0.07C _v
Coil :	General purpose class A, continuous duty, encapsulated
Voltage range :	-15% to +10% of nominal voltage
Power :	4 W - 2.5 W - 1.8 W
Response times :	Energize : 4 ms
(with 4 W coil)	De-energize : 1.5 ms

- Note : • Valve and coil are not interchangeable.
- Spare parts : • Seal between valve and bar : 16595. • Mounting screw (x2) : 35031. • Blanking plate : M-34005.
• Base wire Plug-in protector : 24180. • Blanking plate for regulator : N-44003.
- Options : • Isolation of inlet and/or exhaust. • BSPP Threads.

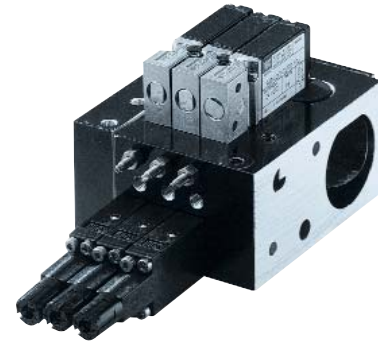
DIMENSIONS



Function	Port size	Flow [Max]	Circuit bar mounting
3/2 NO-NC	M5 - #10-32	0.09C_v	add-on style plug-in with Pr. Reg. and F. C.

OPERATIONAL BENEFITS

1. 10 mm valve, direct solenoid operated.
2. Balanced poppet, immune to variations of pressure.
3. Short stroke with high flow.
4. The patented solenoid develops high shifting forces.
5. Powerful return spring.
6. Flow is specifically adjusted on each valve.
7. Manual operator standard on all valves.



HOW TO ORDER

34B-xxx-GxxO-xxx

HOW TO ORDER VALVE FOR CIRCUIT BAR MOUNTING

Port size (see base)	Universal valve	NC only valve
Valve less base	<input type="radio"/> 34B-100-GxxO-xxx	<input type="radio"/> 34B-NOO-GxxO-xxx

SOLENOID OPERATOR >

G XX O - X XX*

XX Voltage	X Manual operator	XX Electrical connection
<input type="radio"/> DC 24VDC (1.8 W)	<input type="radio"/> 1 Non-locking	<input type="radio"/> DJ Plug-in
<input type="radio"/> DD 24VDC (2.5 W)		<input type="radio"/> DT Plug-in with light
<input type="radio"/> DF 24VDC (4.0 W)		<input type="radio"/> DE Plug-in with suppression diode
<input type="radio"/> xx Other Options		<input type="radio"/> DV Plug-in with light and suppression diode
		<input type="radio"/> xx Other Options

ECD034B-00xxx-AOxx

HOW TO ORDER CIRCUIT BAR WITH FLOW CONTROLS AND PRESSURE REGULATORS ** (pressure regulators to be ordered separately)

Port size	Bottom cylinder ports (10.5 mm)	Side cylinder ports (10.5 mm)
M5	<input type="radio"/> ECD034B-007BD-AOxx	<input type="radio"/> ECD034B-008BD-AOxx
# 10-32	<input type="radio"/> ECD034B-007BB-AOxx	<input type="radio"/> ECD034B-008BB-AOxx

Number of stations (03=3 stations)

Note: clic for valves mounted on base at the factory, add - 9 to the model number.
 clic for multi-pin connector option (9, 15 or 25).
 add-a-unit stations may be added to above bars. Clic here for model numbers.

** Pressure Regulators :

PR44A-AOxx

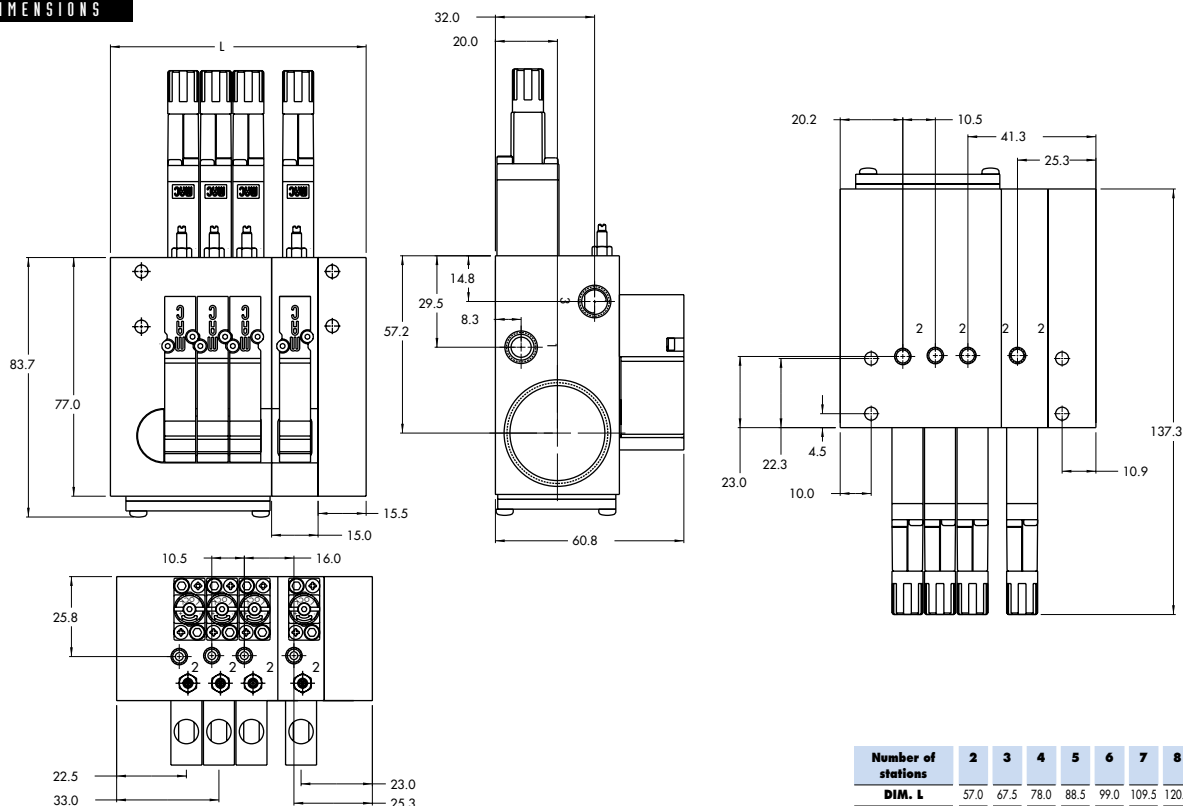
- Y=A (no gage port)
- Y=B (with gage port)
- X=A (0 to 100 PSI)
- X=B (0 to 60 PSI)
- X=C (0 to 40 PSI)
- X=D (0 to 15 PSI)

**TECHNICAL
DATA**

Fluid :	Compressed air, vacuum, inert gases
Pressure range :	Vacuum to 120 PSI
Lubrication :	Not required, if used select a medium aniline point lubricant (between 180°F and 210°F)
Filtration :	40 µ
Temperature range :	0°F to 120°F (-18°C to +50°C)
Orifice :	1.8 mm
Flow (at 6 bar, ΔP=1bar) :	4 W : 0.10C _v , 2.5 W : 0.09C _v , 1.8 W : 0.07C _v
Coil :	General purpose class A, continuous duty, encapsulated
Voltage range :	-15% to +10% of nominal voltage
Power :	4 W - 2.5 W - 1.8 W
Response times :	Energize : 4 ms
(with 4 W coil)	De-energize : 1.5 ms

- Note : • Valve and coil are not interchangeable.
- Spare parts : • Seal between valve and bar : 16595. • Mounting screw (x2) : 35031. • Blanking plate : M-34005.
• Blanking plate for regulator : N-44003. • Base wire Plug-in protector : 24180.
- Options : • Isolation of inlet and/or exhaust. • BSPP Threads.

DIMENSIONS



Function	Port size	Flow [Max]	Circuit bar mounting
3/2 NO-NC	M5 - #10-32	0.10C_v	plug-in add-a-unit stations

OPERATIONAL BENEFITS

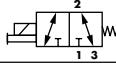
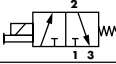
1. 10 mm valve, direct solenoid operated.
2. Balanced poppet, immune to variations of pressure.
3. Short stroke with high flow.
4. The patented solenoid develops high shifting forces.
5. Powerful return spring.
6. Flow is specifically adjusted on each valve.
7. Manual operator standard on all valves.



HOW TO ORDER

34B-xxx-GxxO-xxx

HOW TO ORDER VALVE FOR CIRCUIT BAR MOUNTING

Port size (see base)	Universal valve	NC only valve
		
Valve less base	<input type="radio"/> 34B-100-GxxO-xxx	<input type="radio"/> 34B-NOO-GxxO-xxx

SOLENOID OPERATOR >

G XX O - X XX *

<u>XX</u> Voltage	<u>X</u> Manual operator	<u>XX</u> Electrical connection
<input type="radio"/> DC 24VDC (1.8 W)	<input type="radio"/> 1 Non-locking	<input type="radio"/> DJ Plug-in
<input type="radio"/> DD 24VDC (2.5 W)		<input type="radio"/> DT Plug-in with light
<input type="radio"/> DF 24VDC (4.0 W)		<input type="radio"/> DE Plug-in with suppression diode
<input type="radio"/> xx Other Options		<input type="radio"/> DV Plug-in with light and suppression diode
		<input type="radio"/> xx Other Options

ECD034B-00xxx-AOxx

HOW TO ORDER CIRCUIT BAR

Port size	Side cylinder ports	Bottom cylinder ports
M5	<input type="radio"/> ECD034B-001CD-AOxx	<input type="radio"/> ECD034B-002CD-AOxx
# 10-32	<input type="radio"/> ECD034B-001CB-AOxx	<input type="radio"/> ECD034B-002CB-AOxx

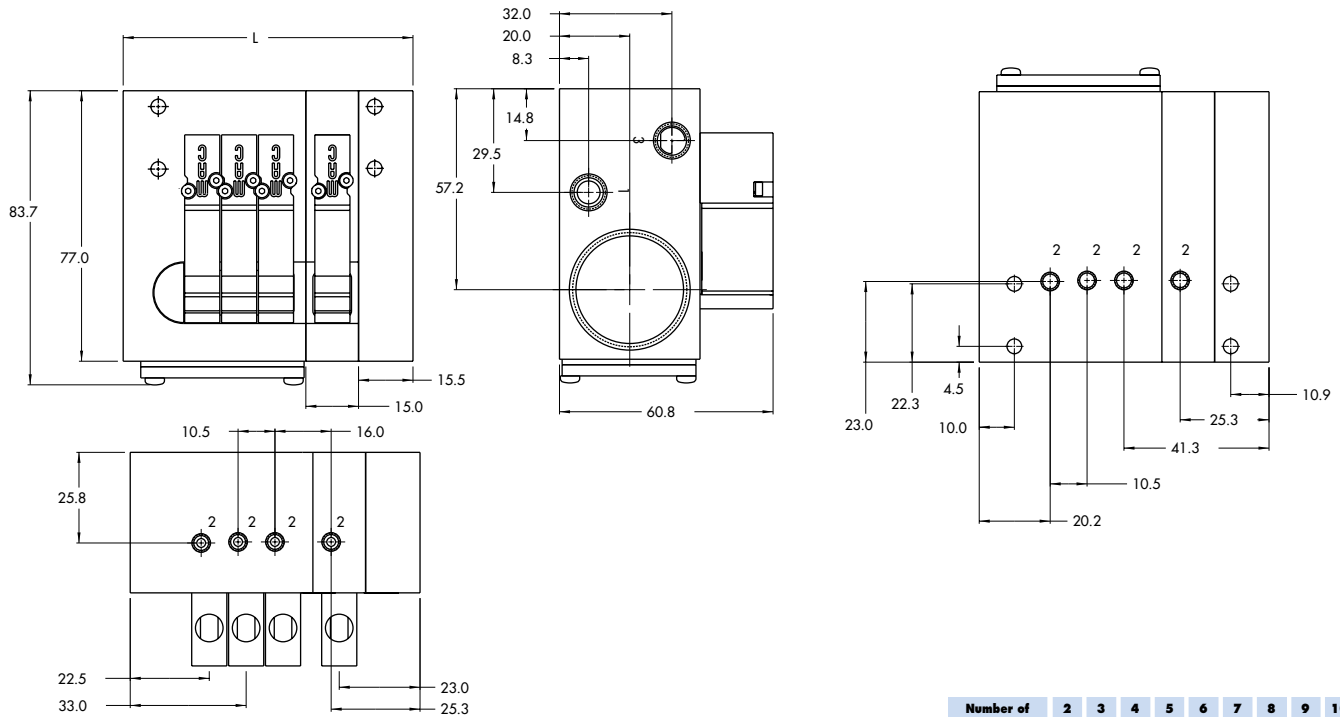
Number of stations (03=3 stations) - Maximum length is 4 stations
 Note : clic for valves mounted on base at the factory, add - 9 to the model number.
 when add-a-unit stations are added to bars with a multi-pin connector,
 MOD. SD03 should be included with add-a-unit model number.

**TECHNICAL
DATA**

Fluid :	Compressed air, vacuum, inert gases
Pressure range :	Vacuum to 120 PSI
Lubrication :	Not required, if used select a medium aniline point lubricant (between 180°F and 210°F)
Filtration :	40 µ
Temperature range :	0°F to 120°F (-18°C to +50°C)
Orifice :	1.8 mm
Flow (at 6 bar, ΔP=1bar) :	4 W : 0.10C _v , 2.5 W : 0.09C _v , 1.8 W : 0.07C _v
Coil :	General purpose class A, continuous duty, encapsulated
Voltage range :	-15% to +10% of nominal voltage
Power :	4 W - 2.5 W - 1.8 W
Response times :	Energize : 4 ms
(with 4 W coil)	De-energize : 1.5 ms

- Note : • Valve and coil are not interchangeable.
- Spare parts : • Seal between valve and bar : 16595. • Mounting screw (x2) : 35031. • Blanking plate : M-34005.
• Base wire Plug-in protector : 24180.
- Options : • Isolation of inlet and/or exhaust. • BSPP Threads.

DIMENSIONS



Function	Port size	Flow (Max)	Circuit bar mounting
3/2 NO-NC	M5 - #10-32	0.10C_v	plug-in add-a-unit stations with F. C.

OPERATIONAL BENEFITS

1. 10 mm valve, direct solenoid operated.
2. Balanced poppet, immune to variations of pressure.
3. Short stroke with high flow.
4. The patented solenoid develops high shifting forces.
5. Powerful return spring.
6. Flow is specifically adjusted on each valve.
7. Manual operator standard on all valves.



HOW TO ORDER

34B-xxx-GxxO-xxx

HOW TO ORDER VALVE FOR CIRCUIT BAR MOUNTING

Port size (see base)	Universal valve	NC only valve
Valve less base	<input type="radio"/> 34B-LOO-GxxO-xxx	<input type="radio"/> 34B-NOO-GxxO-xxx

SOLENOID OPERATOR

G XX O- X XX

XX Voltage	X Manual operator	XX Electrical connection
<input type="radio"/> DC 24VDC (1.8 W)	<input type="radio"/> 1 Non-locking	<input type="radio"/> DJ Plug-in
<input type="radio"/> DD 24VDC (2.5 W)		<input type="radio"/> DT Plug-in with light
<input type="radio"/> DF 24VDC (4.0 W)		<input type="radio"/> DE Plug-in with suppression diode
<input type="radio"/> xx Other Options		<input type="radio"/> DV Plug-in with light and suppression diode
		<input type="radio"/> xx Other Options

ECD034B-00xxx-AOxx

HOW TO ORDER CIRCUIT BAR WITH FLOW CONTROLS

Port size	Side cylinder ports	Bottom cylinder ports
M5	<input type="radio"/> ECD034B-005CD-AOxx	<input type="radio"/> ECD034B-006CD-AOxx
# 10-32	<input type="radio"/> ECD034B-005CB-AOxx	<input type="radio"/> ECD034B-006CB-AOxx

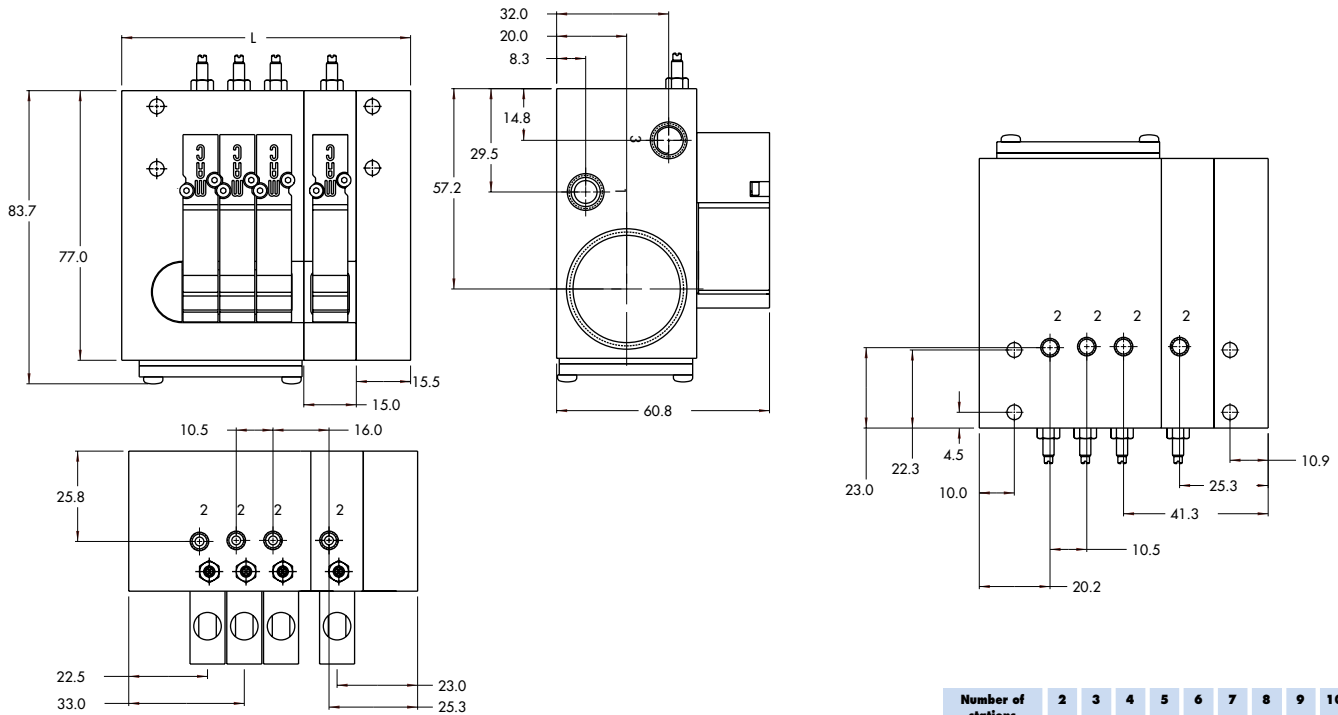
Number of stations (03=3 stations) - Maximum length is 4 stations
 Note : clic for valves mounted on base at the factory, add - 9 to the model number.
 when add-a-unit stations are added to bars with a multi-pin connector,
 MOD. SD03 should be included with add-a-unit model number.

**TECHNICAL
DATA**

Fluid :	Compressed air, vacuum, inert gases
Pressure range :	Vacuum to 120 PSI
Lubrication :	Not required, if used select a medium aniline point lubricant (between 180°F and 210°F)
Filtration :	40 µ
Temperature range :	0°F to 120°F (-18°C to +50°C)
Orifice :	1.8 mm
Flow (at 6 bar, ΔP=1bar) :	4 W : 0.10C _v , 2.5 W : 0.09C _v , 1.8 W : 0.07C _v
Coil :	General purpose class A, continuous duty, encapsulated
Voltage range :	-15% to +10% of nominal voltage
Power :	4 W - 2.5 W - 1.8 W
Response times :	Energize : 4 ms
(with 4 W coil)	De-energize : 1.5 ms

- Note : • Valve and coil are not interchangeable.
- Spare parts : • Seal between valve and bar : 16595. • Mounting screw (x2) : 35031. • Blanking plate : M-34005.
• Base wire Plug-in protector : 24180.
- Options : • Isolation of inlet and/or exhaust. • BSPP Threads.

DIMENSIONS



Function	Port size	Flow (Max)	Circuit bar mounting
3/2 NO-NC	M5 - #10-32	0.10C_v	plug-in add-a-unit stations with Pr. Reg.

OPERATIONAL BENEFITS

1. 10 mm valve, direct solenoid operated.
2. Balanced poppet, immune to variations of pressure.
3. Short stroke with high flow.
4. The patented solenoid develops high shifting forces.
5. Powerful return spring.
6. Flow is specifically adjusted on each valve.
7. Manual operator standard on all valves.



HOW TO ORDER

34B-xxx-GxxO-xxx

HOW TO ORDER VALVE FOR CIRCUIT BAR MOUNTING

Port size (see base)	Universal valve	NC only valve
Valve less base	<input type="radio"/> 34B-100-GxxO-xxx	<input type="radio"/> 34B-NOO-GxxO-xxx

SOLENOID OPERATOR >

G XX O- X XX*

XX Voltage	X Manual operator	XX Electrical connection
<input type="radio"/> DC 24VDC (1.8 W)	<input type="radio"/> 1 Non-locking	<input type="radio"/> DJ Plug-in
<input type="radio"/> DD 24VDC (2.5 W)		<input type="radio"/> DT Plug-in with light
<input type="radio"/> DF 24VDC (4.0 W)		<input type="radio"/> DE Plug-in with suppression diode
<input type="radio"/> xx Other Options		<input type="radio"/> DV Plug-in with light and suppression diode
		<input type="radio"/> xx Other Options

ECD034B-00xxx-AOxx

HOW TO ORDER CIRCUIT BAR FOR PRESSURE REGULATORS ** (to be ordered separately)

Port size	Side cylinder ports	Bottom cylinder ports
M5	<input type="radio"/> ECD034B-003CD-AOxx	<input type="radio"/> ECD034B-004CD-AOxx
# 10-32	<input type="radio"/> ECD034B-003CB-AOxx	<input type="radio"/> ECD034B-004CB-AOxx

Number of stations (03=3 stations) - Maximum length is 4 stations
 Note: clic for valves mounted on base at the factory, add - 9 to the model number.
 when add-a-unit stations are added to bars with a multi-pin connector,
 MOD. SD03 should be included with add-a-unit model number.

** Regulator ordered separately-see below

PR44A-AOxx

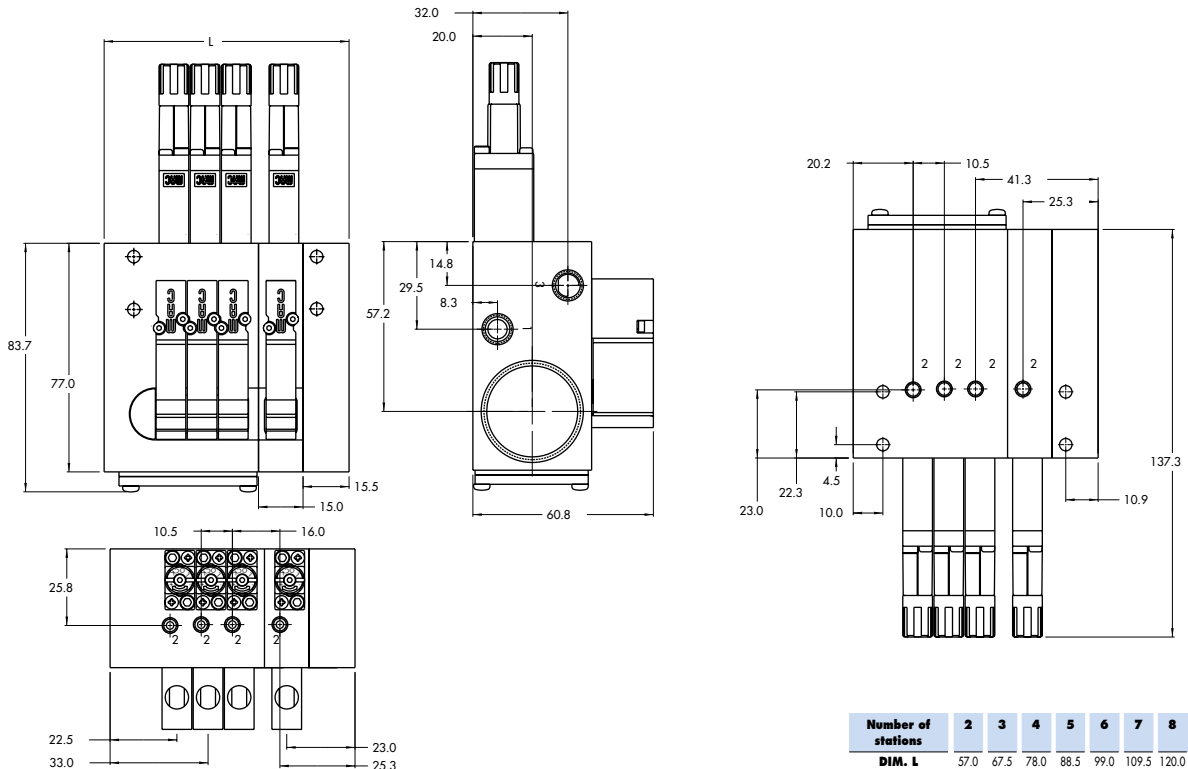
- Y=A (no gage port)
- Y=B (with gage port)
- X=A (0 to 100 PSI)
- X=B (0 to 60 PSI)
- X=C (0 to 40 PSI)
- X=D (0 to 1.5 PSI)

**TECHNICAL
DATA**

Fluid :	Compressed air, vacuum, inert gases
Pressure range :	Vacuum to 120 PSI
Lubrication :	Not required, if used select a medium aniline point lubricant (between 180°F and 210°F)
Filtration :	40 µ
Temperature range :	0°F to 120°F (-18°C to +50°C)
Orifice :	1.8 mm
Flow (at 6 bar, ΔP=1bar) :	4 W : 0.10C _v , 2.5 W : 0.09C _v , 1.8 W : 0.07C _v
Coil :	General purpose class A, continuous duty, encapsulated
Voltage range :	-15% to +10% of nominal voltage
Power :	4 W - 2.5 W - 1.8 W
Response times :	Energize : 4 ms
(with 4 W coil)	De-energize : 1.5 ms

- Note : • Valve and coil are not interchangeable.
- Spare parts : • Seal between valve and bar : 16595. • Mounting screw (x2) : 35031. • Blanking plate : M-34005.
• Base wire Plug-in protector : 24180. • Blanking plate for regulator : N-44003.
- Options : • Isolation of inlet and/or exhaust. • BSPP Threads.

DIMENSIONS

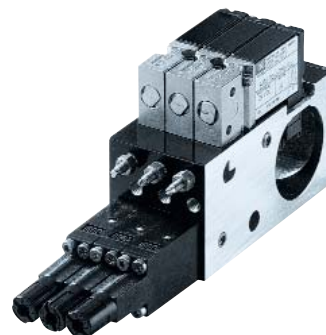


Function	Port size	Flow (Max)	Circuit bar mounting
3/2 NO-NC	M5 - #10-32	0.10C_v	plug-in add-a-unit stations with F. C. and Pr. Reg.

OPERATIONAL BENEFITS

1. 10 mm valve, direct solenoid operated.
2. Balanced poppet, immune to variations of pressure.
3. Short stroke with high flow.
4. The patented solenoid develops high shifting forces.
5. Powerful return spring.
6. Flow is specifically adjusted on each valve.
7. Manual operator standard on all valves.

Reset



HOW TO ORDER

34B-xxx-GxxO-xxx

HOW TO ORDER VALVE FOR CIRCUIT BAR MOUNTING

Port size (see base)	Universal valve	NC only valve
Valve less base	<input type="radio"/> 34B-100-GxxO-xxx	<input type="radio"/> 34B-NOO-GxxO-xxx

SOLENOID OPERATOR >

G XX O- X XX*

XX Voltage	X Manual operator	XX Electrical connection
<input type="radio"/> DC 24VDC (1.8 W)	<input type="radio"/> 1 Non-locking	<input type="radio"/> DJ Plug-in
<input type="radio"/> DD 24VDC (2.5 W)		<input type="radio"/> DT Plug-in with light
<input type="radio"/> DF 24VDC (4.0 W)		<input type="radio"/> DE Plug-in with suppression diode
<input type="radio"/> xx Other Options		<input type="radio"/> DV Plug-in with light and suppression diode
		<input type="radio"/> xx Other Options

ECD034B-00xxx-AOxx

HOW TO ORDER CIRCUIT BAR WITH FLOW CONTROLS AND PRESSURE REGULATORS ** (pressure regulators to be ordered separately)

Port size	Side cylinder ports	Bottom cylinder ports
M5	<input type="radio"/> ECD034B-008CD-AOxx	<input type="radio"/> ECD034B-007CD-AOxx
# 10-32	<input type="radio"/> ECD034B-008CB-AOxx	<input type="radio"/> ECD034B-007CB-AOxx

Number of stations (03=3 stations) - Maximum length is 4 stations
 Note: clic for valves mounted on base at the factory, add - 9 to the model number.
 when add-a-unit stations are added to bars with a multi-pin connector,
 MOD. SD03 should be included with add-a-unit model number.

** Regulator ordered separately-see below

PR44A-AOxx

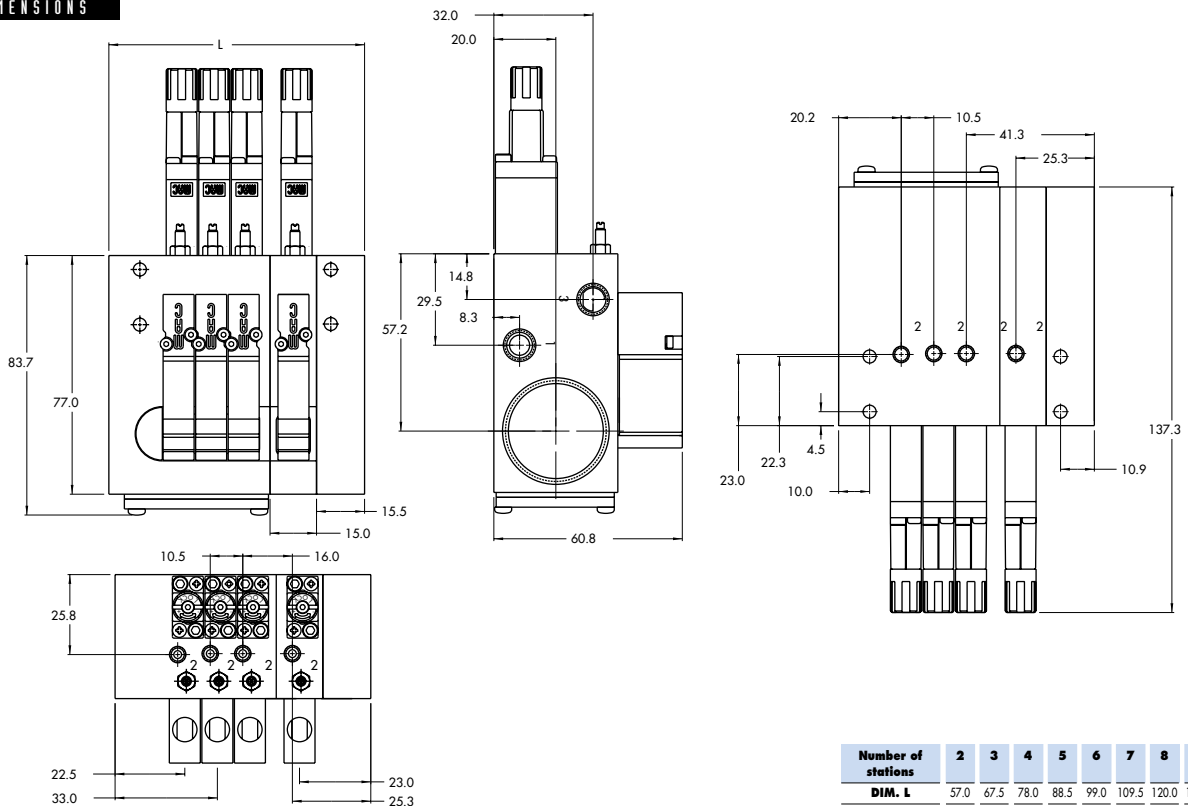
- Y=A (no gage port)
- Y=B (with gage port)
- X=A (0 to 100 PSI)
- X=B (0 to 60 PSI)
- X=C (0 to 40 PSI)
- X=D (0 to 15 PSI)

**TECHNICAL
D A T A**

Fluid :	Compressed air, vacuum, inert gases
Pressure range :	Vacuum to 120 PSI
Lubrication :	Not required, if used select a medium aniline point lubricant (between 180°F and 210°F)
Filtration :	40 µ
Temperature range :	0°F to 120°F (-18°C to +50°C)
Orifice :	1.8 mm
Flow (at 6 bar, ΔP=1bar) :	4 W : 0.10C _v , 2.5 W : 0.09C _v , 1.8 W : 0.07C _v
Coil :	General purpose class A, continuous duty, encapsulated
Voltage range :	-15% to +10% of nominal voltage
Power :	4 W - 2.5 W - 1.8 W
Response times :	Energize : 4 ms
(with 4 W coil)	De-energize : 1.5 ms

- Note : • Valve and coil are not interchangeable.
- Spare parts : • Seal between valve and bar : 16595. • Mounting screw (x2) : 35031. • Blanking plate : M-34005.
• Blanking plate for regulator : N-44003. • Base wire Plug-in protector : 24180.
- Options : • Isolation of inlet and/or exhaust. • BSPP Threads.

DIMENSIONS



Function	Port size	Flow [Max]	Circuit bar mounting
3/2 NO-NC	M5 - #10-32, 4mm tube receptacle	0.11C_v	plug-in with pre-wired connector

OPERATIONAL BENEFITS

1. 10 mm valve, direct solenoid operated.
2. Balanced poppet, immune to variations of pressure.
3. Short stroke with high flow.
4. The patented solenoid develops high shifting forces.
5. Powerful return spring.
6. Flow is specifically adjusted on each valve.
7. Manual operator standard on all valves.



HOW TO ORDER

34B-xxx-GxxO-xxx

HOW TO ORDER VALVE FOR CIRCUIT BAR MOUNTING

Port size (see base)	Universal valve	NC only valve
Valve less base	<input type="radio"/> 34B-LOO-GxxO-xxx	<input type="radio"/> 34B-NOO-GxxO-xxx

SOLENOID OPERATOR >

G XX O - X XX*

XX Voltage	X Manual operator	XX Electrical connection
<input type="radio"/> DC 24VDC (1.8 W)	<input type="radio"/> 1 Non-locking	<input type="radio"/> DJ Plug-in
<input type="radio"/> DD 24VDC (2.5 W)		<input type="radio"/> DT Plug-in with light
<input type="radio"/> DF 24VDC (4.0 W)		<input type="radio"/> DE Plug-in with suppression diode
<input type="radio"/> xx Other Options		<input type="radio"/> DV Plug-in with light and suppression diode
		<input type="radio"/> xx Other Options

HOW TO ORDER CIRCUIT BAR

ECF34B-00xxx-xxxx

Port size	Side cylinder ports (10.5 mm)	Bottom cylinder ports (10.5 mm)
M5	<input type="radio"/> ECF34B-00ADA-ZZXX	<input type="radio"/> ECF34B-00BDA-ZZXX
# 10-32	<input type="radio"/> ECF34B-00ABA-ZZXX	<input type="radio"/> ECF34B-00BBA-ZZXX
4 mm tube receptacle	<input type="radio"/> ECF34B-00AEA-ZZXX	-----

Number of stations (03=3 stations)
 Note: clic for valves mounted on base at the factory, add - 9 to the model number.

L=Left Side; R=Right Side

ZZ	Connector	ZZ	Connector
<input type="radio"/> LA	9 Pin Sub D*	<input type="radio"/> RA	9 Pin Sub D*
<input type="radio"/> LB	15 Pin Sub D*	<input type="radio"/> RB	15 Pin Sub D*
<input type="radio"/> LC	25 Pin Sub D*	<input type="radio"/> RC	25 Pin Sub D*
<input type="radio"/> LD	10 Pin Ribbon Cable**	<input type="radio"/> RD	10 Pin Ribbon Cable**
<input type="radio"/> LE	16 Pin Ribbon Cable**	<input type="radio"/> RE	16 Pin Ribbon Cable**
<input type="radio"/> LF	20 Pin Ribbon Cable**	<input type="radio"/> RF	20 Pin Ribbon Cable**
<input type="radio"/> LG	26 Pin Ribbon Cable**	<input type="radio"/> RG	26 Pin Ribbon Cable**
<input type="radio"/> LH	3/8" NPSM Conduit Port Standard Base Wires	<input type="radio"/> RH	3/8" NPSM Conduit Port Standard Base Wires

* MIL. Spec; MIL-C-24308
 ** MIL. Spec; MIL-C-83503

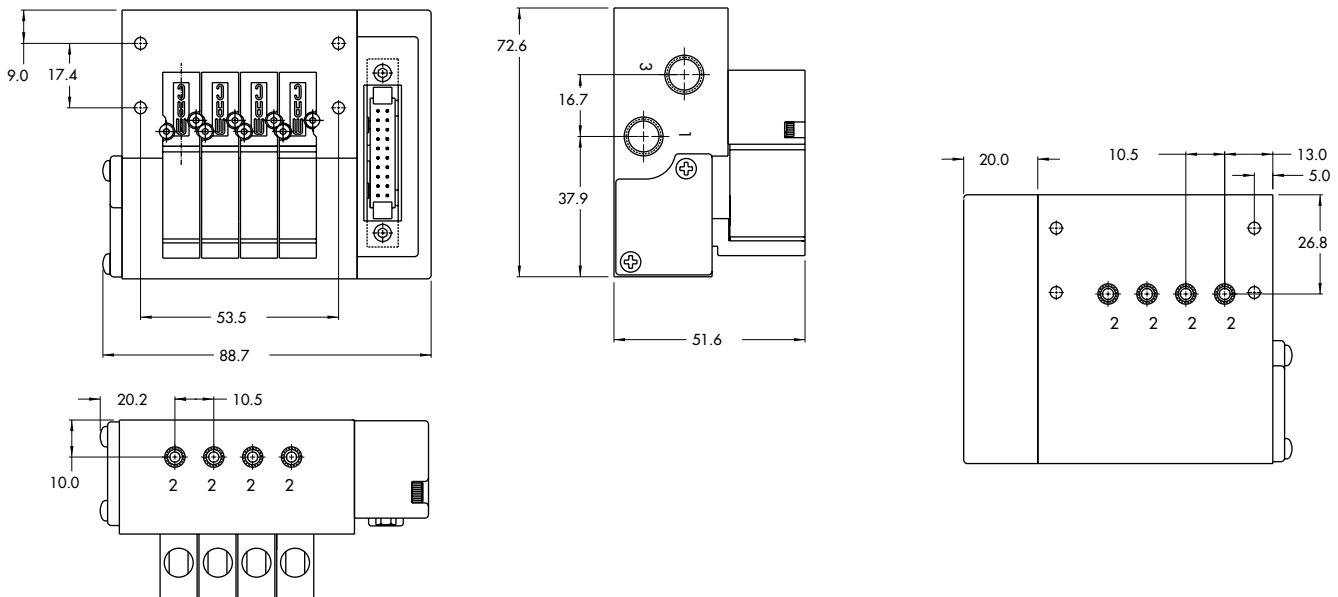
Note: Left and right end is determined by facing conduit passage.

**TECHNICAL
DATA**

Fluid :	Compressed air, vacuum, inert gases
Pressure range :	Vacuum to 120 PSI
Lubrication :	Not required, if used select a medium aniline point lubricant (between 180°F and 210°F)
Filtration :	40 µ
Temperature range :	0°F to 120°F (-18°C to +50°C)
Orifice :	1.8 mm
Flow (at 6 bar, ΔP=1bar) :	4 W : 0.10C _v , 2.5 W : 0.09C _v , 1.8 W : 0.07C _v
Coil :	General purpose class A, continuous duty, encapsulated
Voltage range :	-15% to +10% of nominal voltage
Power :	4 W - 2.5 W - 1.8 W
Response times :	Energize : 4 ms
(with 4 W coil)	De-energize : 1.5 ms

- Note :
 - Valve and coil are not interchangeable.
- Spare parts :
 - Seal between valve and bar : 16595. • Mounting screw (x2) : 35031. • Blanking plate : M-34005.
 - Base wire Plug-in protector : 24180.
- Options :
 - Isolation of inlet and/or exhaust. • BSPP Threads.

DIMENSIONS



Function	Port size	Flow (Max)	Circuit bar mounting
3/2 NO-NC	M5 - #10-32, 4mm tube receptacle	0.11C_v	plug-in with F. C. and pre-wired connector

OPERATIONAL BENEFITS

1. 10 mm valve, direct solenoid operated.
2. Balanced poppet, immune to variations of pressure.
3. Short stroke with high flow.
4. The patented solenoid develops high shifting forces.
5. Powerful return spring.
6. Flow is specifically adjusted on each valve.
7. Manual operator standard on all valves.



HOW TO ORDER

34B-xxx-GxxO-xxx

HOW TO ORDER VALVE FOR CIRCUIT BAR MOUNTING

Port size (see base)	Universal valve	NC only valve
Valve less base	<input type="radio"/> 34B-LOO-GxxO-xxx	<input type="radio"/> 34B-NOO-GxxO-xxx

SOLENOID OPERATOR >

G XX O - X XX *

XX Voltage	X Manual operator	XX Electrical connection
<input type="radio"/> DC 24VDC (1.8 W)	<input type="radio"/> 1 Non-locking	<input type="radio"/> DJ Plug-in
<input type="radio"/> DD 24VDC (2.5 W)		<input type="radio"/> DT Plug-in with light
<input type="radio"/> DF 24VDC (4.0 W)		<input type="radio"/> DE Plug-in with suppression diode
<input type="radio"/> xx Other Options		<input type="radio"/> DV Plug-in with light and suppression diode
		<input type="radio"/> xx Other Options

ECF34B-00xxx-xxxx

HOW TO ORDER CIRCUIT BAR WITH FLOW CONTROLS

Port size	Side cylinder ports (10.5 mm)	Bottom cylinder ports (10.5 mm)
M5	<input type="radio"/> ECF34B-00CDA-zzxx	<input type="radio"/> ECF34B-00DDA-zzxx
# 10-32	<input type="radio"/> ECF34B-00CBA-zzxx	<input type="radio"/> ECF34B-00DBA-zzxx
4 mm tube receptacle	<input type="radio"/> ECF34B-00CEA-zzxx	-----

Number of stations (03=3 stations)
 Note: clic for valves mounted on base at the factory, add - 9 to the model number.

L=Left Side; R=Right Side

ZZ Connector	ZZ Connector
<input type="radio"/> LA 9 Pin Sub D*	<input type="radio"/> RA 9 Pin Sub D*
<input type="radio"/> LB 15 Pin Sub D*	<input type="radio"/> RB 15 Pin Sub D*
<input type="radio"/> LC 25 Pin Sub D*	<input type="radio"/> RC 25 Pin Sub D*
<input type="radio"/> LD 10 Pin Ribbon Cable**	<input type="radio"/> RD 10 Pin Ribbon Cable**
<input type="radio"/> LE 16 Pin Ribbon Cable**	<input type="radio"/> RE 16 Pin Ribbon Cable**
<input type="radio"/> LF 20 Pin Ribbon Cable**	<input type="radio"/> RF 20 Pin Ribbon Cable**
<input type="radio"/> LG 26 Pin Ribbon Cable**	<input type="radio"/> RG 26 Pin Ribbon Cable**
<input type="radio"/> LH 3/8" NPSM Conduit Port Standard Base Wires	<input type="radio"/> RH 3/8" NPSM Conduit Port Standard Base Wires

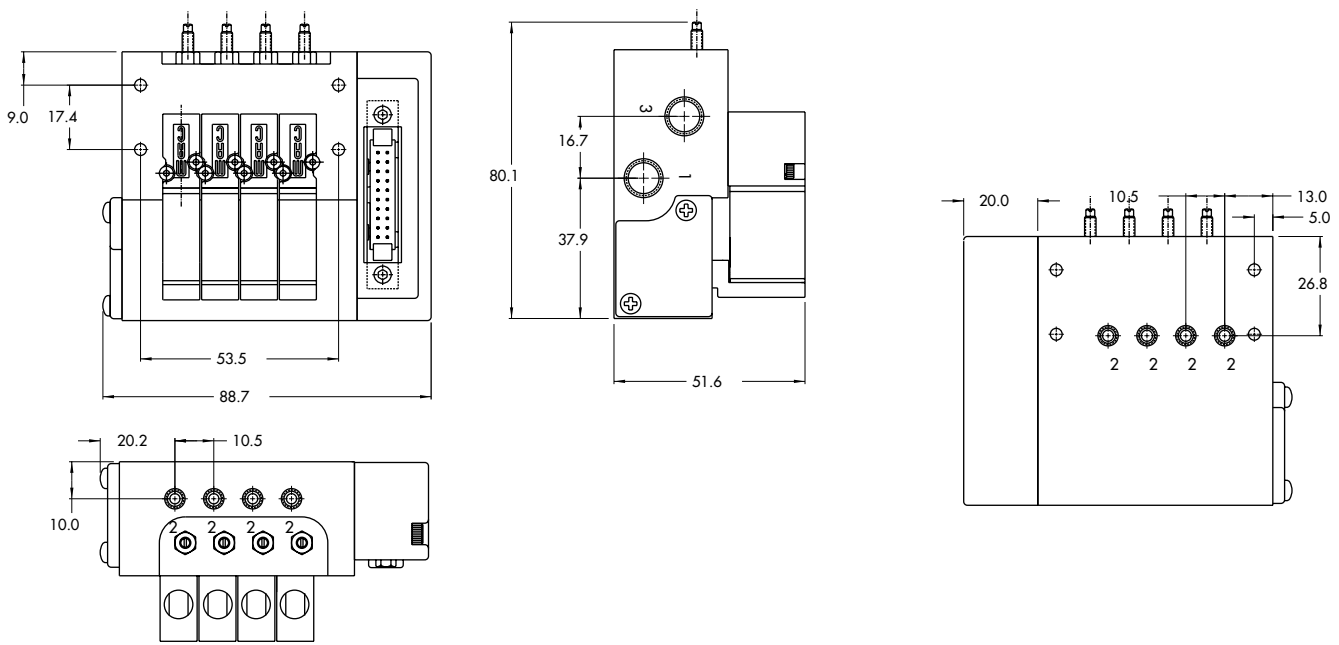
* MIL. Spec; MIL-C-24308
 ** MIL. Spec; MIL-C-83503
 Note: Left and right end is determined by facing conduit passage.

**T E C H N I C A L
D A T A**

Fluid :	Compressed air, vacuum, inert gases
Pressure range :	Vacuum to 120 PSI
Lubrication :	Not required, if used select a medium aniline point lubricant (between 180°F and 210°F)
Filtration :	40 µ
Temperature range :	0°F to 120°F (-18°C to +50°C)
Orifice :	1.8 mm
Flow (at 6 bar, ΔP=1bar) :	4 W : 0.11C _v , 2.5 W : 0.09C _v , 1.8 W : 0.06C _v
Coil :	General purpose class A, continuous duty, encapsulated
Voltage range :	-15% to +10% of nominal voltage
Power :	4 W - 2.5 W - 1.8 W
Response times :	Energize : 4 ms
(with 4 W coil)	De-energize : 1.5 ms

- Note :
 - Valve and coil are not interchangeable.
- Spare parts :
 - Seal between valve and bar : 16595. • Mounting screw (x2) : 35031. • Blanking plate : M-34005.
 - Base wire Plug-in protector : 24180.
- Options :
 - Isolation of inlet and/or exhaust. • BSPP Threads.

D I M E N S I O N S

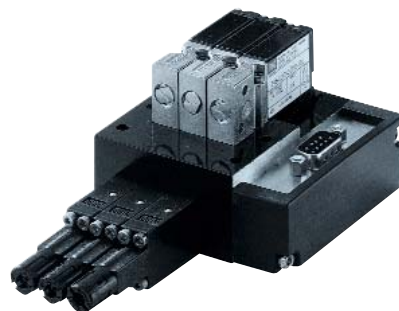


Function	Port size	Flow (Max)	Circuit bar mounting
3/2 NO-NC	M5 - #10-32	0.10C_v	plug-in with Pr. Reg. and pre-wired connector

OPERATIONAL BENEFITS

1. 10 mm valve, direct solenoid operated.
2. Balanced poppet, immune to variations of pressure.
3. Short stroke with high flow.
4. The patented solenoid develops high shifting forces.
5. Powerful return spring.
6. Flow is specifically adjusted on each valve.
7. Manual operator standard on all valves.

Reset



HOW TO ORDER

34B-xxx-GxxO-xxx

HOW TO ORDER VALVE FOR CIRCUIT BAR MOUNTING

Port size (see base)	Universal valve	NC only valve
Valve less base	<input type="radio"/> 34B-100-GxxO-xxx	<input type="radio"/> 34B-NOO-GxxO-xxx

SOLENOID OPERATOR

G XX O- X XX*

XX Voltage	X Manual operator	XX Electrical connection
<input type="radio"/> DC 24VDC (1.8 W)	<input type="radio"/> 1 Non-locking	<input type="radio"/> DJ Plug-in
<input type="radio"/> DD 24VDC (2.5 W)		<input type="radio"/> DT Plug-in with light
<input type="radio"/> DF 24VDC (4.0 W)		<input type="radio"/> DE Plug-in with suppression diode
<input type="radio"/> xx Other Options		<input type="radio"/> DV Plug-in with light and suppression diode
		<input type="radio"/> xx Other Options

HOW TO ORDER CIRCUIT BAR FOR PRESSURE REGULATORS ** (to be ordered separately)

ECF34B-00xxx-xxxx

Port size	Bottom cylinder ports (10.5 mm)
M5	<input type="radio"/> ECF34B-00EDA-zzxx
# 10-32	<input type="radio"/> ECF34B-00EBA-zzxx

Number of stations (03=3 stations)

**** Pressure Regulators :**

PR44A-AOxx

- Y=A (no gage port)
- Y=B (with gage port)
- X=A (0 to 100 PSI)
- X=B (0 to 60 PSI)
- X=C (0 to 40 PSI)
- X=D (0 to 15 PSI)

L=Left Side; R=Right Side			
ZZ	Connector	ZZ	Connector
<input type="radio"/> LA	9 Pin Sub D*	<input type="radio"/> RA	9 Pin Sub D*
<input type="radio"/> LB	15 Pin Sub D*	<input type="radio"/> RB	15 Pin Sub D*
<input type="radio"/> LC	25 Pin Sub D*	<input type="radio"/> RC	25 Pin Sub D*
<input type="radio"/> LD	10 Pin Ribbon Cable**	<input type="radio"/> RD	10 Pin Ribbon Cable**
<input type="radio"/> LE	16 Pin Ribbon Cable**	<input type="radio"/> RE	16 Pin Ribbon Cable**
<input type="radio"/> LF	20 Pin Ribbon Cable**	<input type="radio"/> RF	20 Pin Ribbon Cable**
<input type="radio"/> LG	26 Pin Ribbon Cable**	<input type="radio"/> RG	26 Pin Ribbon Cable**
<input type="radio"/> LH	3/8" NPSM Conduit Port Standard Base Wires	<input type="radio"/> RH	3/8" NPSM Conduit Port Standard Base Wires

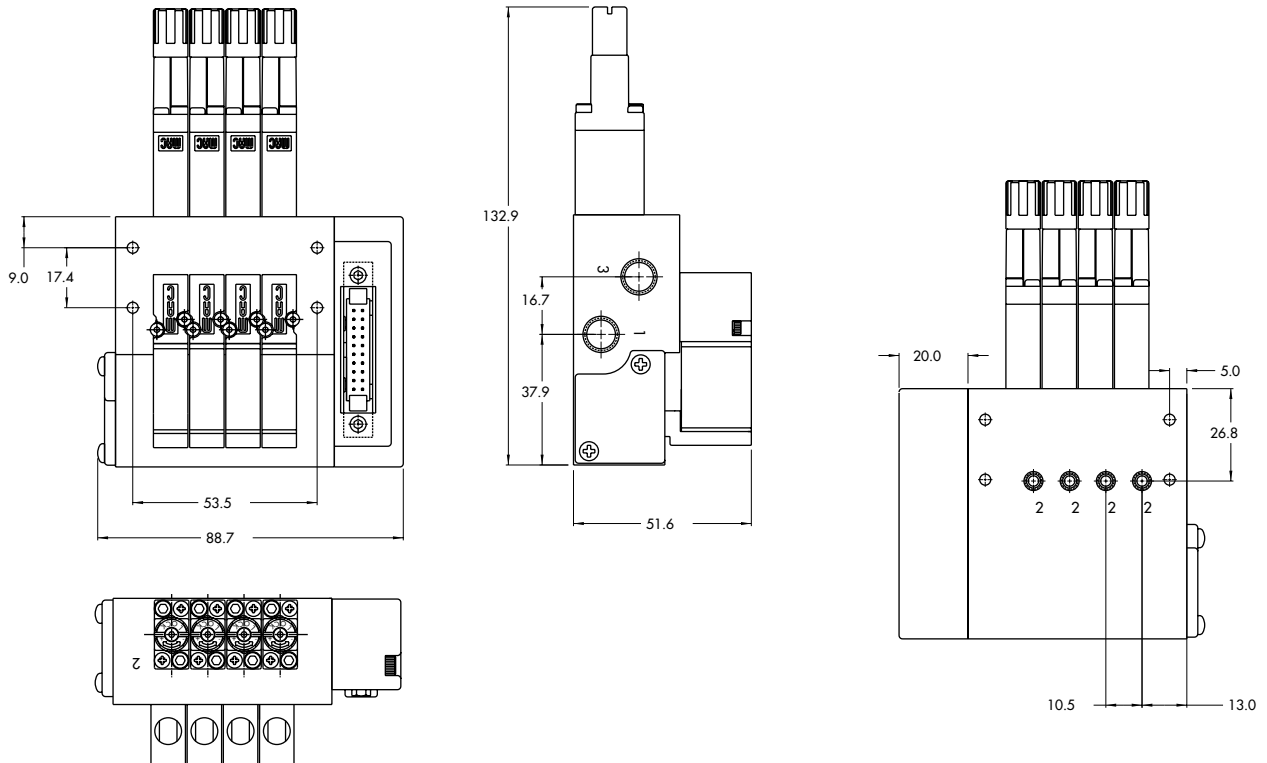
* MIL. Spec; MIL-C-24308
 ** MIL. Spec; MIL-C-83503
 Note: Left and right end is determined by facing conduit passage.

**TECHNICAL
D A T A**

Fluid :	Compressed air, vacuum, inert gases
Pressure range :	Vacuum to 120 PSI
Lubrication :	Not required, if used select a medium aniline point lubricant (between 180°F and 210°F)
Filtration :	40 µ
Temperature range :	0°F to 120°F (-18°C to +50°C)
Orifice :	1.8 mm
Flow (at 6 bar, ΔP=1bar) :	4 W : 0.10C _v , 2.5 W : 0.09C _v , 1.8 W : 0.07C _v
Coil :	General purpose class A, continuous duty, encapsulated
Voltage range :	-15% to +10% of nominal voltage
Power :	4 W - 2.5 W - 1.8 W
Response times :	Energize : 4 ms
(with 4 W coil)	De-energize : 1.5 ms

- Note : • Valve and coil are not interchangeable.
- Spare parts : • Seal between valve and bar : 16595. • Mounting screw (x2) : 35031. • Blanking plate : M-34005.
• Blanking plate for regulator : N-44003. • Base wire Plug-in protector : 24180.
- Options : • Isolation of inlet and/or exhaust. • BSPP Threads.

DIMENSIONS

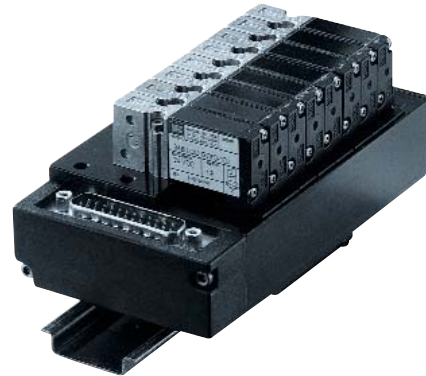


Function	Port size	Flow [Max]	Circuit bar mounting
3/2 NO-NC	M5 - #10-32, 4mm tube receptacle	0.11C_v	din rail, plug-in with pre-wired connector

OPERATIONAL BENEFITS

1. 10 mm valve, direct solenoid operated.
2. Balanced poppet, immune to variations of pressure.
3. Short stroke with high flow.
4. The patented solenoid develops high shifting forces.
5. Powerful return spring.
6. Flow is specifically adjusted on each valve.
7. Manual operator standard on all valves.

Reset



HOW TO ORDER

34B-xxx-GxxO-xxx

HOW TO ORDER VALVE FOR CIRCUIT BAR MOUNTING

Port size (see base)	Universal valve	NC only valve
Valve less base	<input type="radio"/> 34B-100-GxxO-xxx	<input type="radio"/> 34B-NOO-GxxO-xxx

SOLENOID OPERATOR

G XX O - X XX*

XX Voltage	X Manual operator	XX Electrical connection
<input type="radio"/> DC 24VDC (1.8 W)	<input type="radio"/> 1 Non-locking	<input type="radio"/> DJ Plug-in
<input type="radio"/> DD 24VDC (2.5 W)		<input type="radio"/> DT Plug-in with light
<input type="radio"/> DF 24VDC (4.0 W)		<input type="radio"/> DE Plug-in with suppression diode
<input type="radio"/> xx Other Options		<input type="radio"/> DV Plug-in with light and suppression diode
		<input type="radio"/> xx Other Options

ECF34B-00xxx-xxxx

HOW TO ORDER CIRCUIT BAR

Port size	Side cylinder ports (10.5 mm)
M5	<input type="radio"/> ECF34B-00ADB-zzxx
# 10-32	<input type="radio"/> ECF34B-00ABB-zzxx
4 mm tube receptacle	<input type="radio"/> ECF34B-00AEB-zzxx

Number of stations (03=3 stations)

Din rail spec. (EN50 022)

Note : dlc for valves mounted on base at the factory, add - 9 to the model number.

L=Left Side; R=Right Side

ZZ	Connector	ZZ	Connector
<input type="radio"/> LA	9 Pin Sub D*	<input type="radio"/> RA	9 Pin Sub D*
<input type="radio"/> LB	15 Pin Sub D*	<input type="radio"/> RB	15 Pin Sub D*
<input type="radio"/> LC	25 Pin Sub D*	<input type="radio"/> RC	25 Pin Sub D*
<input type="radio"/> LD	10 Pin Ribbon Cable**	<input type="radio"/> RD	10 Pin Ribbon Cable**
<input type="radio"/> LE	16 Pin Ribbon Cable**	<input type="radio"/> RE	16 Pin Ribbon Cable**
<input type="radio"/> LF	20 Pin Ribbon Cable**	<input type="radio"/> RF	20 Pin Ribbon Cable**
<input type="radio"/> LG	26 Pin Ribbon Cable**	<input type="radio"/> RG	26 Pin Ribbon Cable**
<input type="radio"/> LH	3/8" NPSM Conduit Port Standard Base Wires	<input type="radio"/> RH	3/8" NPSM Conduit Port Standard Base Wires

* MIL. Spec; MIL-C-24308

** MIL. Spec; MIL-C-83503

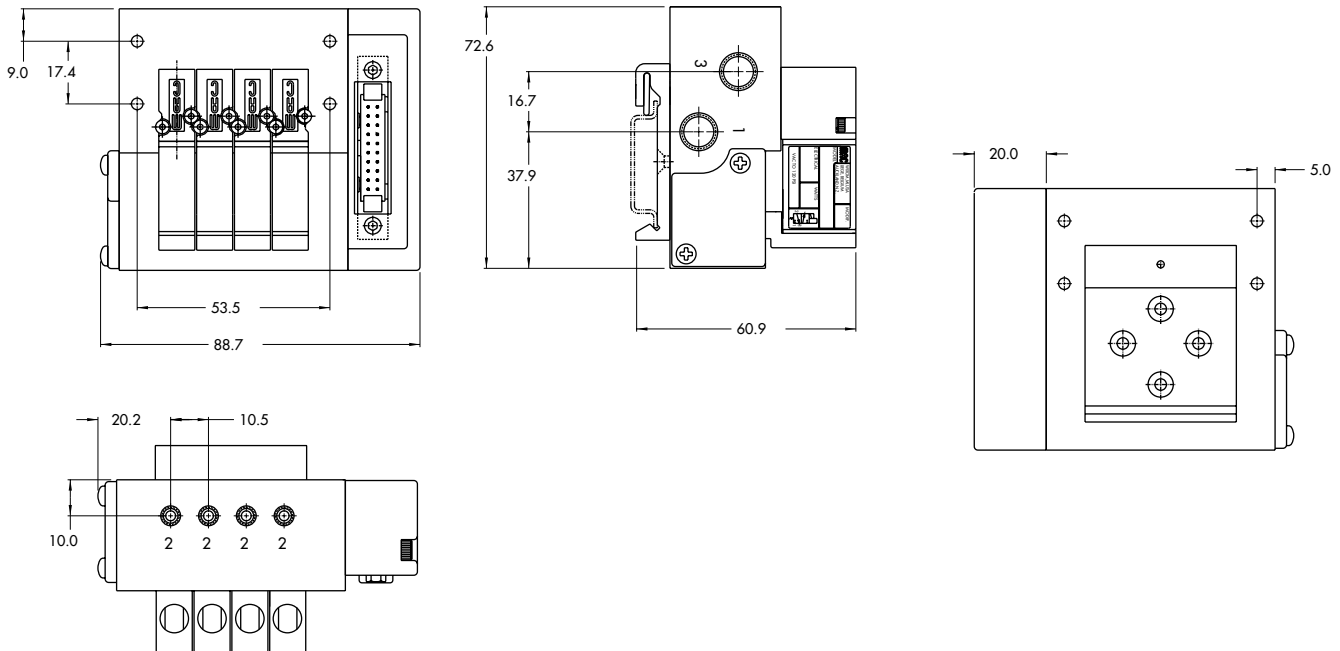
Note: Left and right end is determined by facing conduit passage.

**TECHNICAL
DATA**

Fluid :	Compressed air, vacuum, inert gases
Pressure range :	Vacuum to 120 PSI
Lubrication :	Not required, if used select a medium aniline point lubricant (between 180°F and 210°F)
Filtration :	40 µ
Temperature range :	0°F to 120°F (-18°C to +50°C)
Orifice :	1.8 mm
Flow (at 6 bar, ΔP=1bar) :	4 W : 0.11C _v , 2.5 W : 0.09C _v , 1.8 W : 0.06C _v
Coil :	General purpose class A, continuous duty, encapsulated
Voltage range :	-15% to +10% of nominal voltage
Power :	4 W - 2.5 W - 1.8 W
Response times :	Energize : 4 ms
(with 4 W coil)	De-energize : 1.5 ms

- Note : • Valve and coil are not interchangeable.
- Spare parts : • Seal between valve and bar : 16595. • Mounting screw (x2) : 35031. • Blanking plate : M-34005.
• Base wire Plug-in protector : 24180.
- Options : • Isolation of inlet and/or exhaust. • BSPP Threads.

DIMENSIONS



Function	Port size	Flow [Max]	Circuit bar mounting
3/2 NO-NC	M5 - #10-32, 4 mm tube receptacle	0.11C_v	din rail, plug-in with F. C. and pre- wired connector

OPERATIONAL BENEFITS

1. 10 mm valve, direct solenoid operated.
2. Balanced poppet, immune to variations of pressure.
3. Short stroke with high flow.
4. The patented solenoid develops high shifting forces.
5. Powerful return spring.
6. Flow is specifically adjusted on each valve.
7. Manual operator standard on all valves.



HOW TO ORDER

34B-xxx-GxxO-xxx

HOW TO ORDER VALVE FOR CIRCUIT BAR MOUNTING

Port size (see base)	Universal valve	NC only valve
Valve less base	<input type="radio"/> 34B-100-GxxO-xxx	<input type="radio"/> 34B-NOO-GxxO-xxx

SOLENOID OPERATOR >

G XX O - X XX*

XX Voltage	X Manual operator	XX Electrical connection
<input type="radio"/> DC 24VDC (1.8 W)	<input type="radio"/> 1 Non-locking	<input type="radio"/> DJ Plug-in
<input type="radio"/> DD 24VDC (2.5 W)		<input type="radio"/> DT Plug-in with light
<input type="radio"/> DF 24VDC (4.0 W)		<input type="radio"/> DE Plug-in with suppression diode
<input type="radio"/> xx Other Options		<input type="radio"/> DV Plug-in with light and suppression diode
		<input type="radio"/> xx Other Options

ECF34B-00xxx-xxxx

HOW TO ORDER CIRCUIT BAR WITH FLOW CONTROLS

Port size	Side cylinder ports (10.5 mm)
M5	<input type="radio"/> ECF34B-00CDB-zzxx
# 10-32	<input type="radio"/> ECF34B-00CBB-zzxx
4 mm tube receptacle	<input type="radio"/> ECF34B-00CEB-zzxx

Number of stations (03=3 stations)

Din rail spec. (EN50 022)

Note: clic for valves mounted on base at the factory, add - 9 to the model number.

L=Left Side; R=Right Side

ZZ Connector	ZZ Connector
<input type="radio"/> LA 9 Pin Sub D*	<input type="radio"/> RA 9 Pin Sub D*
<input type="radio"/> LB 15 Pin Sub D*	<input type="radio"/> RB 15 Pin Sub D*
<input type="radio"/> LC 25 Pin Sub D*	<input type="radio"/> RC 25 Pin Sub D*
<input type="radio"/> LD 10 Pin Ribbon Cable**	<input type="radio"/> RD 10 Pin Ribbon Cable**
<input type="radio"/> LE 16 Pin Ribbon Cable**	<input type="radio"/> RE 16 Pin Ribbon Cable**
<input type="radio"/> LF 20 Pin Ribbon Cable**	<input type="radio"/> RF 20 Pin Ribbon Cable**
<input type="radio"/> LG 26 Pin Ribbon Cable**	<input type="radio"/> RG 26 Pin Ribbon Cable**
<input type="radio"/> LH 3/8" NPSM Conduit Port Standard Base Wires	<input type="radio"/> RH 3/8" NPSM Conduit Port Standard Base Wires

* MIL. Spec; MIL-C-24308

** MIL. Spec; MIL-C-83503

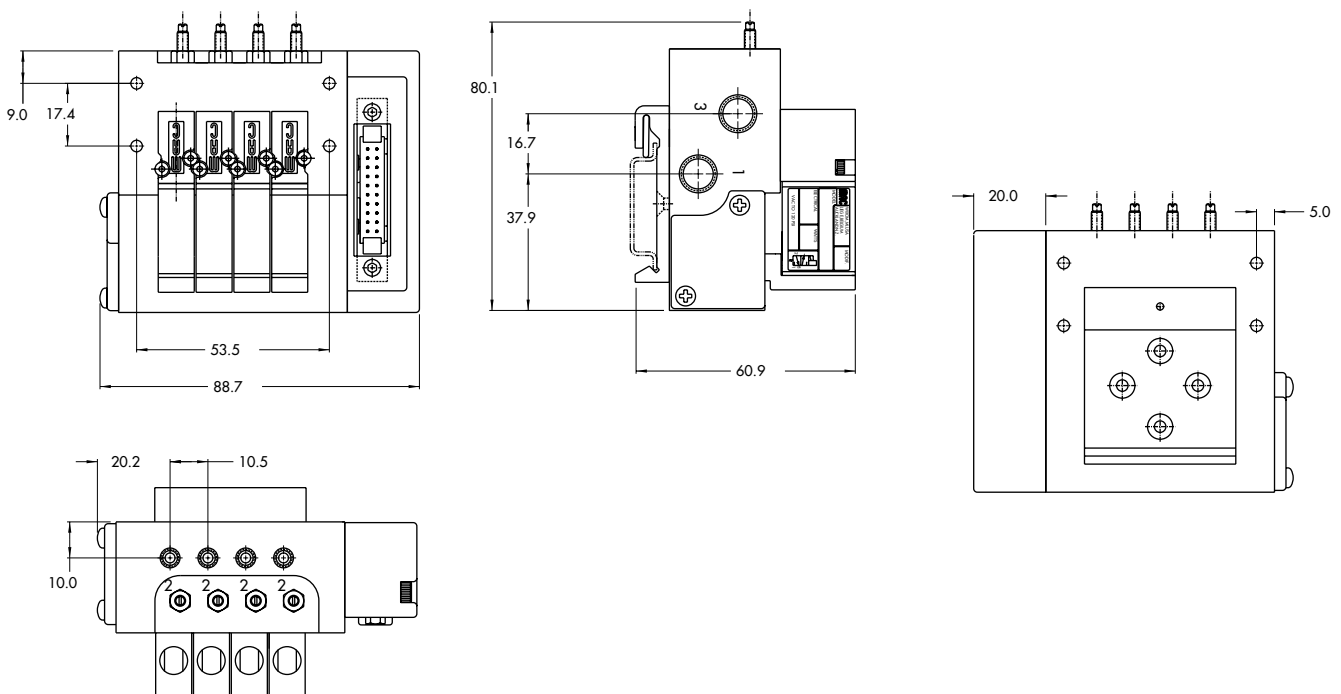
Note: Left and right end is determined by facing conduit passage.

**T E C H N I C A L
D A T A**

Fluid :	Compressed air, vacuum, inert gases
Pressure range :	Vacuum to 120 PSI
Lubrication :	Not required, if used select a medium aniline point lubricant (between 180°F and 210°F)
Filtration :	40 µ
Temperature range :	0°F to 120°F (-18°C to +50°C)
Orifice :	1.8 mm
Flow (at 6 bar, ΔP=1bar) :	4 W : 0.11C _v , 2.5 W : 0.09C _v , 1.8 W : 0.06C _v
Coil :	General purpose class A, continuous duty, encapsulated
Voltage range :	-15% to +10% of nominal voltage
Power :	4 W - 2.5 W - 1.8 W
Response times :	Energize : 4 ms
(with 4 W coil)	De-energize : 1.5 ms

- Note :
 - Valve and coil are not interchangeable.
- Spare parts :
 - Seal between valve and bar : 16595. • Mounting screw (x2) : 35031. • Blanking plate : M-34005.
 - Base wire Plug-in protector : 24180.
- Options :
 - Isolation of inlet and/or exhaust. • BSPP Threads.

D I M E N S I O N S





Section 2

Options



0 p t i o n s

Codification table for voltages / Manual operator / Electrical connection

VALVE CODE ► **-GXX X - X XX**
1 2 3 4

OPTIONS AVAILABLE FOR

- solenoid valves 34 & 44 Series

1. VOLTAGE (type 34 Series)		1. VOLTAGE (type 44 Series)	
-G XX X - X XX	VOLTAGE	-G XX X - X XX	VOLTAGE
<input type="radio"/> DC	24 VDC (1,8 W)	DA	24 VDC (1,0 W)
<input type="radio"/> DD	24 VDC (2,5 W)	DC	24 VDC (1,8 W)
<input type="radio"/> DE	24 VDC (3,0 W)	DD	24 VDC (2,5 W)
<input checked="" type="radio"/> DF	24 VDC (4,0 W)	DF	24 VDC (4,0 W)
<input type="radio"/> DJ	12 VDC (1,8 W)	DG	12 VDC (1,0 W)
<input type="radio"/> DK	12 VDC (2,5 W)	DJ	12 VDC (1,8 W)
<input type="radio"/> DM	12 VDC (3,0 W)	DK	12 VDC (2,5 W)
<input type="radio"/> DN	12 VDC (4,0 W)	DN	12 VDC (4,0 W)

2. WIRE LENGTH (Common options for 34 & 44 Series)	
-G XX X - X XX	WIRE LENGTH
<input type="radio"/> A	18"
<input type="radio"/> B	24"
<input type="radio"/> C	36"
<input type="radio"/> D	48"
<input type="radio"/> E	72"
<input type="radio"/> F	96"
<input type="radio"/> G	120"
<input type="radio"/> H	144"



3. MANUAL OPERATOR (COMMON OPTIONS FOR 34 & 44 SERIES)

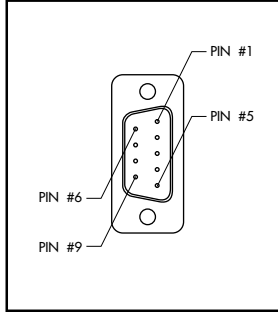
-G XX X - X XX	MANUAL OPERATOR
1	Non-locking recessed
3	Non-locking extended

4. ELECTRICAL CONNECTION (COMMON OPTIONS FOR 34 & 44 SERIES)

-G XX X - X XX	NO CONNECTOR
<input type="radio"/> BA	Flying leads
<input type="radio"/> BB	BA with ground wire
<input type="radio"/> BC	BA with light
<input type="radio"/> BD	BA with light and ground wire
<input type="radio"/> BE	BA with suppression diode
<input type="radio"/> BF	BA with suppression diode and ground wire
<input type="radio"/> BG	BA with suppression diode and light
<input type="radio"/> BH	BA with suppression diode, light and ground wire
<input type="radio"/> BN	BA with suppression diode and blocking diode
<input checked="" type="radio"/> BP	BA with suppression diode, blocking diode and ground wire
<input type="radio"/> BR	BA with suppression diode, blocking diode and light
<input type="radio"/> BS	BA with suppression diode, blocking diode, light and ground wire
<input type="radio"/> BT	BA with light
<input type="radio"/> BU	BA with light and ground wire
<input type="radio"/> BV	BA with suppression diode and light
<input type="radio"/> BW	BA with suppression diode, light and ground wire
<input type="radio"/> BX	BA with suppression diode, blocking diode and light
<input type="radio"/> BY	BA with suppression diode, blocking diode, light and ground wire

-G XX X - X XX	PLUG-IN CONNECTOR
<input type="radio"/> KA	Mini connector with flying leads
<input type="radio"/> KB	KA with ground wire
<input type="radio"/> KE	KA with suppression diode
<input type="radio"/> KF	KA with suppression diode and ground wire
<input type="radio"/> KJ	Mini connector for KA option
<input type="radio"/> KM	Mini connector for KB option
<input type="radio"/> KN	KA with suppression diode and blocking diode
<input type="radio"/> KP	KA with suppression diode, blocking diode and ground wire
<input type="radio"/> KT	KA with light
<input type="radio"/> KU	KA with light and ground wire
<input type="radio"/> KV	KA with suppression diode and light
<input type="radio"/> KW	KA with suppression diode, light and ground wire
<input type="radio"/> KX	KA with suppression diode, blocking diode and light
<input type="radio"/> KY	KA with suppression diode, blocking diode, light and ground wire

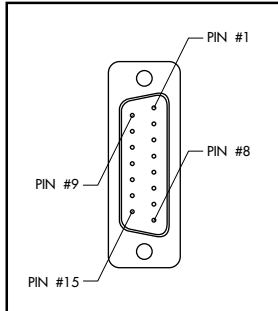
MOD. S009



TECHNICAL DATA

- Type «SUB_D»
- Number of contacts : 9
- Solder termination (Dia. 0.6 mm/0.14 mm²/26-22 AWG)
- Operating current 5 A/contact
- Rated voltage 125 V~
- Temp. range -40° to +125°C
- Insulation resistance ≥ 5.0⁹ Ω
- Protection class IP40 (DIN 40050)
- Number of solenoids : 7 max.
- Max. 24 V=/5.4 W per solenoid
- 2 common wires

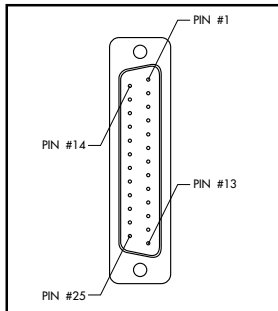
MOD. S015



TECHNICAL DATA

- Type «SUB_D»
- Number of contacts : 15
- Solder termination (Dia. 0.6 mm/0.14 mm²/26-22 AWG)
- Operating current 5 A/contact
- Rated voltage 125 V~
- Temp. range -40° to +125°C
- Insulation resistance ≥ 5.0⁹ Ω
- Protection class IP40 (DIN 40050)
- Number of solenoids : 12 max.
- Max. 24 V=/5.4 W per solenoid
- 3 common wires

MOD. S025



TECHNICAL DATA

- Type «SUB_D»
- Number of contacts : 25
- Solder termination (Dia. 0.6 mm/0.14 mm²/26-22 AWG)
- Operating current 5 A/contact
- Rated voltage 125 V~
- Temp. range -40° to +125°C
- Insulation resistance ≥ 5.0⁹ Ω
- Protection class IP40 (DIN 40050)
- Number of solenoids : 20 max.
- Max. 24 V=/5.4 W per solenoid
- 5 common wires

Note : Use desired MOD. number after circuit bar part number

Connector termination details

