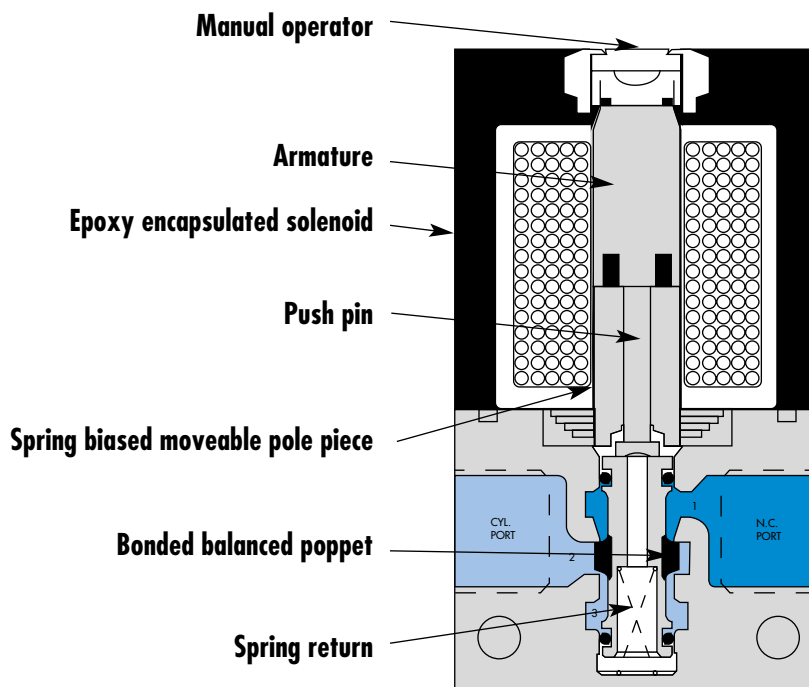


Circuit bar mounting

non plug-in	non plug-in with Pr. Reg.	plug-in	plug-in with side Pr. Reg.	plug-in with integral terminal strip	plug-in with integral terminal strip and side Pr. Reg.
-------------	---------------------------	---------	----------------------------	--------------------------------------	--



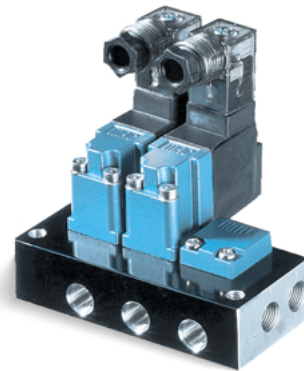
**SERIES FEATURES**

- Patented MACSOLENOID® for fastest possible response times.
- Balanced poppet permits versatility in function :  
- 3 way N.C. - 3 way N.O. - Divertor - Selector
- Extremely high cycle rate capability.
- Various solenoid enclosures and plug-in connectors.
- Low wattage DC solenoids - down to 1.8 watts.
- Rated for lubricated or non-lubricated service.

Function	Port size	Flow [Max]	Circuit bar mounting
<b>3/2 NO-NC</b>	<b>1/8" NPTF - #10-32 UNF</b>	<b>0.10C<sub>v</sub></b>	non plug-in

### OPERATIONAL BENEFITS

1. Balanced poppet, immune to variations of pressure.
2. Short stroke with high flow.
3. The patented solenoid develops high shifting forces.
4. Powerful return spring.
5. Manual operator standard on all valves.
6. Burn-out proof solenoid on AC service.



### HOW TO ORDER

HOW TO ORDER VALVE FOR CIRCUIT BAR MOUNTING

	<b>Universal valve</b>
	
<b>Valve less base</b>	35A-B00-Dxxx-xxx

SOLENOID OPERATOR >

D **XX X- X XX'**

XX	Voltage	X	Wire length	X	Manual operator	XX	Electrical connection
AA	120/60, 110/50	A	18" (Flying leads)	1	Non-locking Recessed	KA	Square connector
AB	240/60, 220/50	J	Connector	2	Locking Recessed	KD	Square connector with light
AC	24/60, 24/50					BA	Flying leads
FB	24VDC (1.8 W)						
DA	24VDC (5.4 W)						
DF	24VDC (12.7 W)						

HOW TO ORDER CIRCUIT BAR\*\*

Port size	Side cylinder ports Spacing 21 mm	Bottom cylinder ports Spacing 21 mm
<b>1/8" NPTF</b>	EBM35A-001A-xx	EBM35A-002A-xx
<b># 10-32 UNF</b>	EBM35A-001B-xx	EBM35A-002B-xx

Number of stations (03=3 stations)

\*\* Other options available. Consult factory.

Note : clic for valves mounted on base at the factory, add - 9 to the model number.

**TECHNICAL  
DATA**

<b>Fluid :</b>	Compressed air, vacuum, inert gases		
<b>Pressure range :</b>	Vacuum to 120 PSI		
<b>Lubrication :</b>	Not required, if used select a medium aniline point lubricant (between 180°F and 210°F)		
<b>Filtration :</b>	40 µ		
<b>Temperature range :</b>	0°F to 120°F (-18°C to 50°C)		
<b>Orifice :</b>	2 mm		
<b>Flow (at 6 bar, ΔP=1bar) :</b>	1.8 W : 0.08 C <sub>v</sub> , 5.4 W : 0.1 C <sub>v</sub>		
<b>Coil :</b>	General purpose class A, continuous duty, encapsulated		
<b>Voltage range :</b>	-15% to +10% of nominal voltage		
<b>Protection :</b>	Nema 4		
<b>Power :</b>	120 VAC/60 = Inrush : 10.9 VA (0.09 AMPS)    Holding : 7.7VA (0.06 AMPS) DC VOLTS = 1.8 W to 12.7 W		
<b>Response times :</b>	24 VDC (5.4W)	Energize : 6 ms	De-energize : 2 ms
	120 VAC	Energize : 3-8 ms	De-energize : 2-7 ms

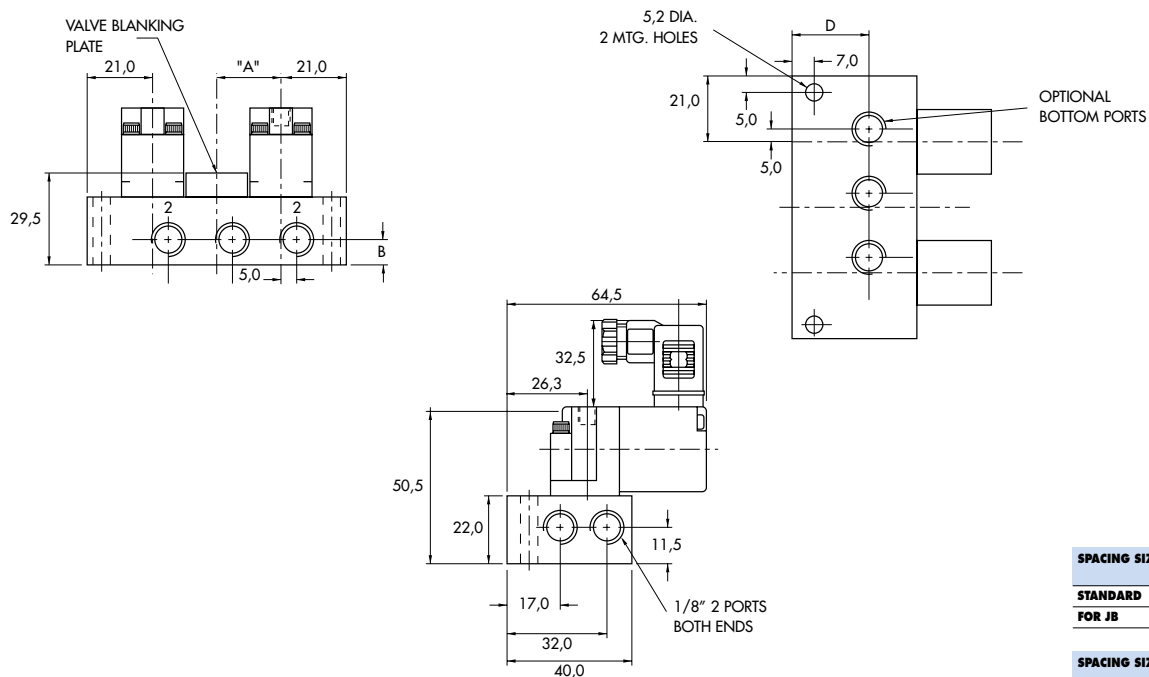
Spare parts :

- Solenoid operator (power ≥ 5.4 W) : DXXX-XXX, including mounting screws 35013.
- Seal between solenoid and valve body : 16402. • Seal between base and valve : 16447.
- Valve mounting screw (x2) : 35020. • Blanking plate valve : M-35004.

Options :

- BSPP threads. • High flow up to 0.14C<sub>v</sub>, according to wattage. • Isolation of inlet and/or exhaust.

**DIMENSIONS**



SPACING SIZE	A	
STANDARD	21.0	
FOR JB	26.0	

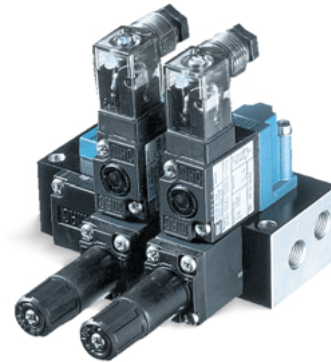
  

SPACING SIZE	B	D
1/8"	8.0	24.5
# 10-32	5.5	24.2

Function	Port size	Flow [Max]	Circuit bar mounting
<b>3/2 NO-NC</b>	<b>1/8" NPTF - #10-32 UNF</b>	<b>0.10C<sub>v</sub></b>	non plug-in with Pr. Reg.

**OPERATIONAL BENEFITS**

1. Balanced poppet, immune to variations of pressure.
2. Short stroke with high flow.
3. The patented solenoid develops high shifting forces.
4. Powerful return spring.
5. Manual operator standard on all valves.
6. Burn-out proof solenoid on AC service.



**Reset**

**HOW TO ORDER**

HOW TO ORDER VALVE FOR CIRCUIT BAR MOUNTING

	<b>Universal valve</b>
<b>Valve less base</b>	35A-B00-Dxxx-xxx
<b>Valve less base w/ gage port</b>	35A-F00-Dxxx-xxx

SOLENOID OPERATOR >

D **XX X- X XX**

XX	Voltage	X	Wire length	X	Manual operator	XX	Electrical connection
AA	120/60, 110/50	A	18" (Flying leads)	1	Non-locking Recessed	KA	Square connector
AB	240/60, 220/50	J	Connector	2	Locking Recessed	KD	Square connector with light
AC	24/60, 24/50					BA	Flying leads
FB	24VDC (1.8 W)						
DA	24VDC (5.4 W)						
DF	24VDC (12.7 W)						

HOW TO ORDER CIRCUIT BAR WITH PRESSURE REGULATORS (TO BE ORDERED SEPARATELY)\* \*

Port size Side cylinder ports	Spacing 21 mm	Spacing 40 mm
<b>1/8" NPTF</b>	EBM35A-003A-xx	EBM35A-023A-xx
<b># 10-32 UNF</b>	EBM35A-003B-xx	EBM35A-023B-xx
Port size Bottom cylinder ports	Spacing 21 mm	Spacing 40 mm
<b>1/8" NPTF</b>	EBM35A-004A-xx	EBM35A-024A-xx
<b># 10-32 UNF</b>	EBM35A-004B-xx	EBM35A-024B-xx

Number of stations (03=3 stations)  
 Other options available. Consult factory.  
 Note : clic for valves mounted on base at the factory, add - 9 to the model number.  
 use 40 mm spacing for valves w/ gage port.

\*\* Pressure Regulators :  
 35A-00M (Adjusting knob)  
 35A-00L (Slotted stem)  
 35A-00U (Locking stem)

**TECHNICAL  
DATA**

<b>Fluid :</b>	Compressed air, vacuum, inert gases
<b>Pressure range :</b>	Vacuum to 120 PSI
<b>Lubrication :</b>	Not required, if used select a medium aniline point lubricant (between 180°F and 210°F)
<b>Filtration :</b>	40 µ
<b>Temperature range :</b>	0°F to 120°F (-18°C to 50°C)
<b>Orifice :</b>	2 mm
<b>Flow (at 6 bar, ΔP=1bar) :</b>	1.8 W : 0.08 C <sub>v</sub> , 5.4 W : 0.1 C <sub>v</sub>
<b>Coil :</b>	General purpose class A, continuous duty, encapsulated
<b>Voltage range :</b>	-15% to +10% of nominal voltage
<b>Protection :</b>	Nema 4
<b>Power :</b>	120 VAC/60 = Inrush : 10.9 VA (0.09 AMPS)    Holding : 7.7VA (0.06 AMPS) DC VOLTS = 1.8 W to 12.7 W
<b>Response times :</b>	24 VDC (5.4W)    Energize : 6 ms    De-energize : 2 ms 120 VAC    Energize : 3-8 ms    De-energize : 2-7 ms

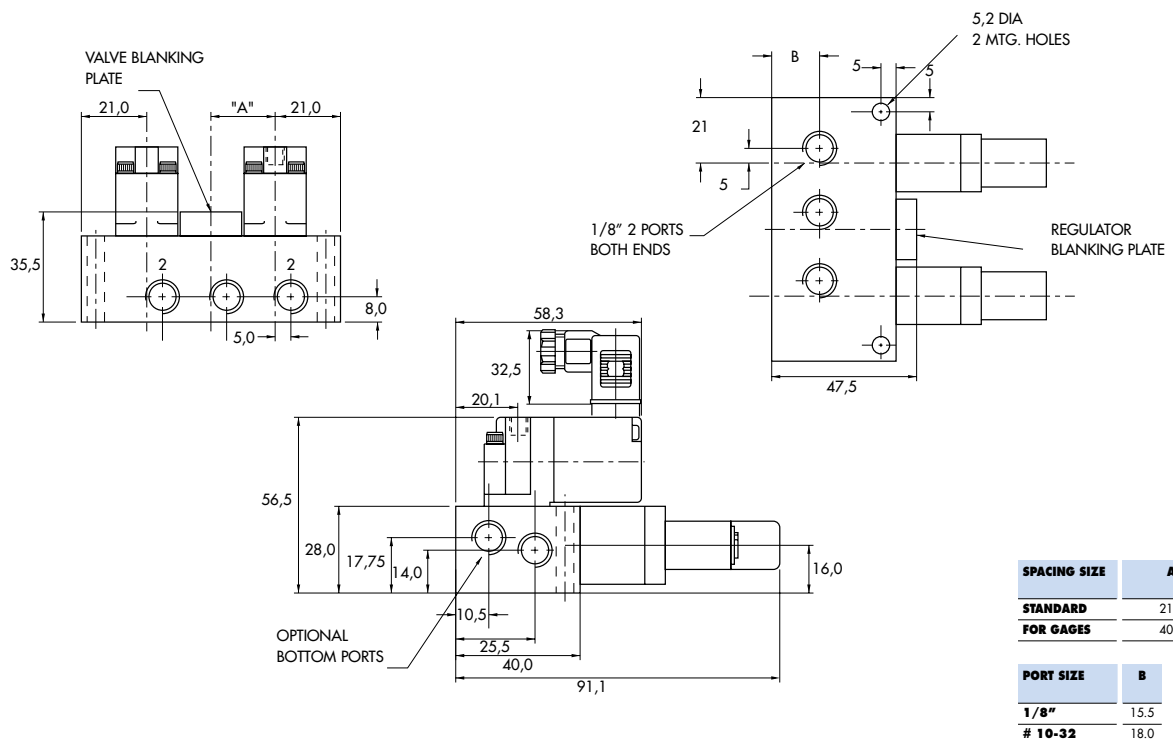
Spare parts :

- Solenoid operator (power ≥ 5.4 W) : DXXX-XXX, including mounting screws 35013.
- Seal between solenoid and valve body : 16402. • Seal between base and valve : 16447.
- Valve mounting screw (x2) : 35020. • Blanking plate valve : M-35004. • Blanking plate regulator : M-35005.

Options :

- BSPP threads. • High flow up to 0.14C<sub>v</sub>, according to wattage. • Isolation of inlet and/or exhaust.

**DIMENSIONS**



Function	Port size	Flow [Max]	Circuit bar mounting
<b>3/2 NO-NC</b>	<b>1/8" NPTF - #10-32 UNF</b>	<b>0.10C<sub>v</sub></b>	plug-in

### OPERATIONAL BENEFITS

1. Balanced poppet, immune to variations of pressure.
2. Short stroke with high flow.
3. The patented solenoid develops high shifting forces.
4. Powerful return spring.
5. Manual operator standard on all valves.
6. Burn-out proof solenoid on AC service.



### HOW TO ORDER

HOW TO ORDER VALVE FOR "PLUG-IN" CIRCUIT BAR

	<b>Universal valve</b>
	
<b>Valve less base</b>	35A-B00-DxxJ-xFM

SOLENOID OPERATOR >

D **XX** J- **X** FM \*

<b>XX Voltage</b>	<b>X Manual operator</b>
<b>AA</b> 120/60, 110/50	<b>1</b> Non-locking Recessed
<b>AB</b> 240/60, 220/50	<b>2</b> Locking Recessed
<b>AC</b> 24/60, 24/50	
<b>FB</b> 24VDC (1.8 W)	
<b>DA</b> 24VDC (5.4 W)	
<b>DF</b> 24VDC (12.7 W)	

HOW TO ORDER "PLUG-IN" CIRCUIT BAR \*\*

Port size	Spacing mm	Side cylinder ports	Bottom cylinder ports
<b>1/8" NPTF</b>	21	ECD35A-001A-A0-xx*	ECD35A-002A-A0-xx*
<b># 10-32 UNF</b>	21	ECD35A-001B-A0-xx*	ECD35A-002B-A0-xx*
<b>1/8" NPTF</b>	30	ECD35A-031A-C0-xx*	ECD35A-032A-C0-xx*
<b># 10-32 UNF</b>	30	ECD35A-031B-C0-xx*	ECD35A-032B-C0-xx*

Number of stations (03=3 stations)

\*\* Other options available. Consult factory.

Note : clic for valves mounted on base at the factory, add - 9 to the model number.  
 clic for multi-pin connector (9, 15 or 25).

- \* A0 = without light
- AA = with light (120V)
- AB = with light (240V)
- AD = with light (24V)
- C0 = terminal strip
- CA = terminal w/light (120V)
- CB = terminal w/light (240V)
- CD = terminal w/light (24V)

**TECHNICAL  
DATA**

<b>Fluid :</b>	Compressed air, vacuum, inert gases
<b>Pressure range :</b>	Vacuum to 120 PSI
<b>Lubrication :</b>	Not required, if used select a medium aniline point lubricant (between 180°F and 210°F)
<b>Filtration :</b>	40 µ
<b>Temperature range :</b>	0°F to 120°F (-18°C to 50°C)
<b>Orifice :</b>	2 mm
<b>Flow (at 6 bar, ΔP=1bar) :</b>	1.8 W : 0.08 C <sub>v</sub> , 5.4 W : 0.1 C <sub>v</sub>
<b>Coil :</b>	General purpose class A, continuous duty, encapsulated
<b>Voltage range :</b>	-15% to +10% of nominal voltage
<b>Protection :</b>	Nema 4
<b>Power :</b>	120 VAC/60 = Inrush : 10.9 VA (0.09 AMPS)    Holding : 7.7VA (0.06 AMPS) DC VOLTS = 1.8 W to 12.7 W
<b>Response times :</b>	24 VDC (5.4W)    Energize : 6 ms    De-energize : 2 ms 120 VAC    Energize : 3-8 ms    De-energize : 2-7 ms

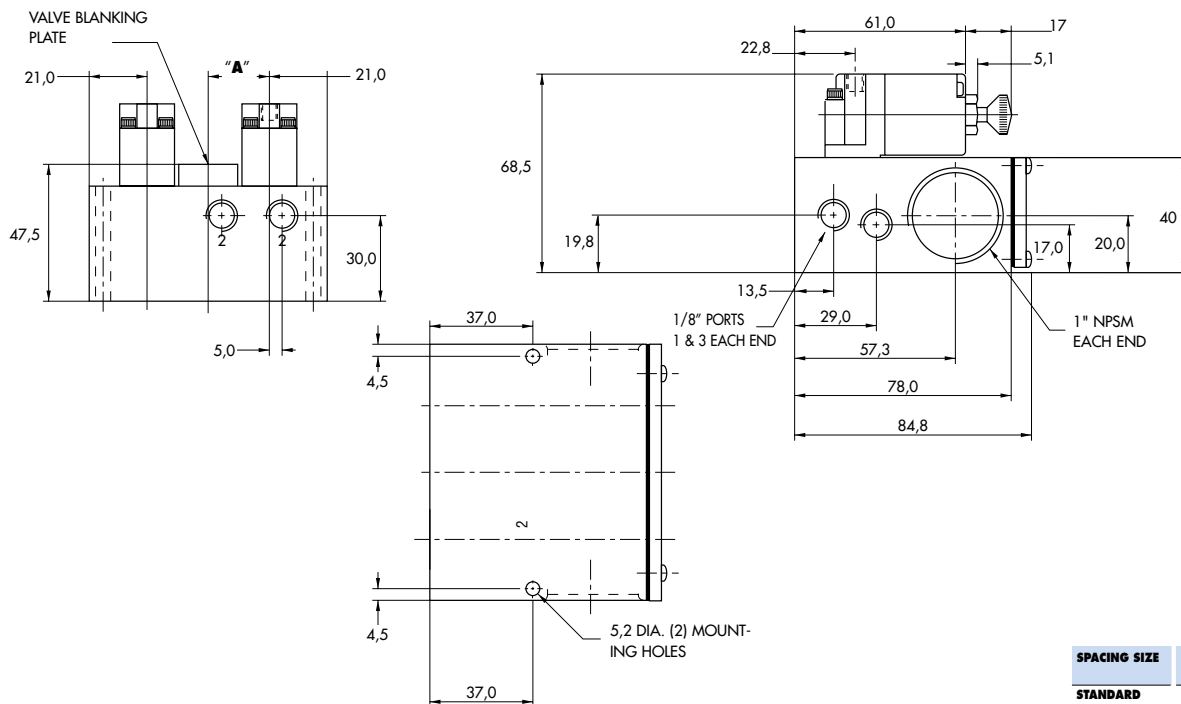
Spare parts :

- Solenoid operator (power ≥ 5.4 W) : DXXX-XXX, including mounting screws 35013.
- Seal between solenoid and valve body : 16402. • Seal between base and valve : 16447.
- Valve mounting screw (x2) : 35020. • Blanking plate valve : M-35004. • Plug-in protector : 16520.

Options :

- BSPP threads. • High flow up to 0.14C<sub>v</sub>, according to wattage. • Isolation of inlet and/or exhaust.

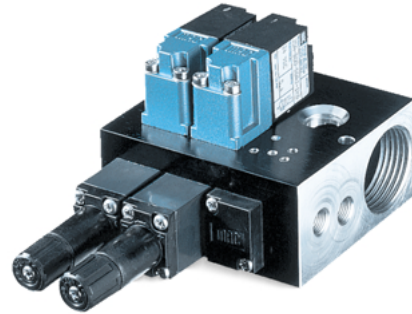
**DIMENSIONS**



Function	Port size	Flow [Max]	Circuit bar mounting
<b>3/2 NO-NC</b>	<b>1/8" NPTF - #10-32 UNF</b>	<b>0.10C<sub>v</sub></b>	plug-in with side Pr. Reg.

### OPERATIONAL BENEFITS

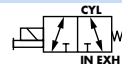
1. Balanced poppet, immune to variations of pressure.
2. Short stroke with high flow.
3. The patented solenoid develops high shifting forces.
4. Powerful return spring.
5. Manual operator standard on all valves.
6. Burn-out proof solenoid on AC service.



### HOW TO ORDER

HOW TO ORDER VALVE FOR "PLUG-IN" CIRCUIT BAR

	Universal valve
Valve less base	35A-B00-DxxJ-xFM
Valve less base w/ gage port	35A-F00-DxxJ-xFM



### SOLENOID OPERATOR >

D XX J- X FM \*

XX Voltage	X Manual operator
AA 120/60, 110/50	1 Non-locking Recessed
AB 240/60, 220/50	2 Locking Recessed
AC 24/60, 24/50	
FB 24VDC (1.8 W)	
DA 24VDC (5.4 W)	
DF 24VDC (12.7 W)	

HOW TO ORDER "PLUG-IN" CIRCUIT BAR WITH PRESSURE REGULATORS (TO BE ORDERED SEPARATELY)\* \*\*

Port size	Spacing mm	Bottom cylinder ports
<b>1/8" NPTF</b>	21	ECD35A-004A-A0-xx*
<b># 10-32 UNF</b>	21	ECD35A-004B-A0-xx*
<b>1/8" NPTF</b>	30	ECD35A-034A-C0-xx*
<b># 10-32 UNF</b>	30	ECD35A-034B-C0-xx*
<b>1/8" NPTF</b>	40	ECD35A-024A-A0-xx*
<b># 10-32 UNF</b>	40	ECD35A-024B-A0-xx*

Number of stations (03=3 stations)

\*\* Other options available. Consult factory.

Note : clic for valves mounted on base at the factory, add - 9 to the model number.

clic for multi-pin connector (9, 15 or 25).

minimum spacing for terminal strips is 30 mm.

use 40 mm spacing for valves w/gage port.

\*\* Pressure Regulators :

35A-00M (Adjusting knob)

35A-00L (Slotted stem)

35A-00U (Locking stem)

\* A0 = without light

AA = with light (120V)

AB = with light (240V)

AD = with light (24V)

C0 = terminal strip

CA = terminal w/light (120V)

CB = terminal w/light (240V)

CD = terminal w/light (24V)

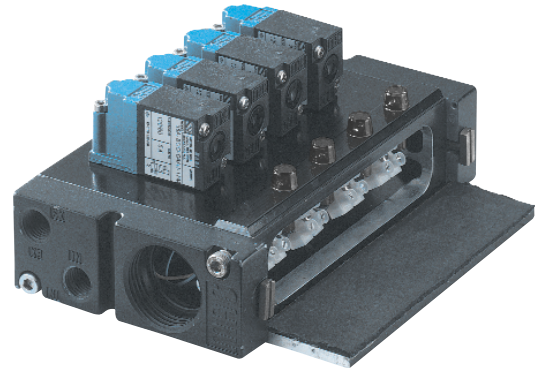




Function	Port size	Flow [Max]	Circuit bar mounting
<b>3/2 NO-NC</b>	<b>1/8" NPTF - #10-32 UNF</b>	<b>0.10C<sub>v</sub></b>	plug-in with integral terminal strip

### OPERATIONAL BENEFITS

1. Balanced poppet, immune to variations of pressure.
2. Short stroke with high flow.
3. The patented solenoid develops high shifting forces.
4. Powerful return spring.
5. Manual operator standard on all valves.
6. Burn-out proof solenoid on AC service.



### HOW TO ORDER

HOW TO ORDER VALVE FOR "PLUG-IN" CIRCUIT BAR

	<b>Universal valve</b>
<b>Valve less base</b>	35A-B00-DxxJ-xFM

SOLENOID OPERATOR >

D **XX** J- **X** FM \*

<b>XX</b>	<b>Voltage</b>	<b>X</b>	<b>Manual operator</b>
AA	120/60, 110/50	1	Non-locking Recessed
AB	240/60, 220/50	2	Locking Recessed
AC	24/60, 24/50		
FB	24VDC (1.8 W)		
DA	24VDC (5.4 W)		
DF	24VDC (12.7 W)		

HOW TO ORDER "PLUG-IN" CIRCUIT BAR \*\*

Port size	Spacing mm	Side cylinder ports	Bottom cylinder ports
<b>1/8" NPTF</b>	26	ECE35A-011A-C0-xx*	ECE35A-012A-C0-xx*
<b># 10-32 UNF</b>	26	ECE35A-011B-C0-xx*	ECE35A-012B-C0-xx*

Number of stations (03=3 stations)

\*\* Other options available. Consult factory.

Note : clic for valves mounted on base at the factory, add - 9 to the model number.  
end plate kit required: M-45017.

\* C0 = terminal strip  
CA = terminal strip w/light (120V)  
CB = terminal strip w/light (240V)  
CD = terminal strip w/light (24V)

**TECHNICAL  
DATA**

<b>Fluid :</b>	Compressed air, vacuum, inert gases		
<b>Pressure range :</b>	Vacuum to 120 PSI		
<b>Lubrication :</b>	Not required, if used select a medium aniline point lubricant (between 180°F and 210°F)		
<b>Filtration :</b>	40 µ		
<b>Temperature range :</b>	0°F to 120°F (-18°C to 50°C)		
<b>Orifice :</b>	2 mm		
<b>Flow (at 6 bar, ΔP=1bar) :</b>	1.8 W : 0.08 C <sub>v</sub> , 5.4 W : 0.1 C <sub>v</sub>		
<b>Coil :</b>	General purpose class A, continuous duty, encapsulated		
<b>Voltage range :</b>	-15% to +10% of nominal voltage		
<b>Protection :</b>	Nema 4		
<b>Power :</b>	120 VAC/60 = Inrush : 10.9 VA (0.09 AMPS)    Holding : 7.7VA (0.06 AMPS) DC VOLTS = 1.8 W to 12.7 W		
<b>Response times :</b>	24 VDC (5.4W)	Energize : 6 ms	De-energize : 2 ms
	120 VAC	Energize : 3-8 ms	De-energize : 2-7 ms

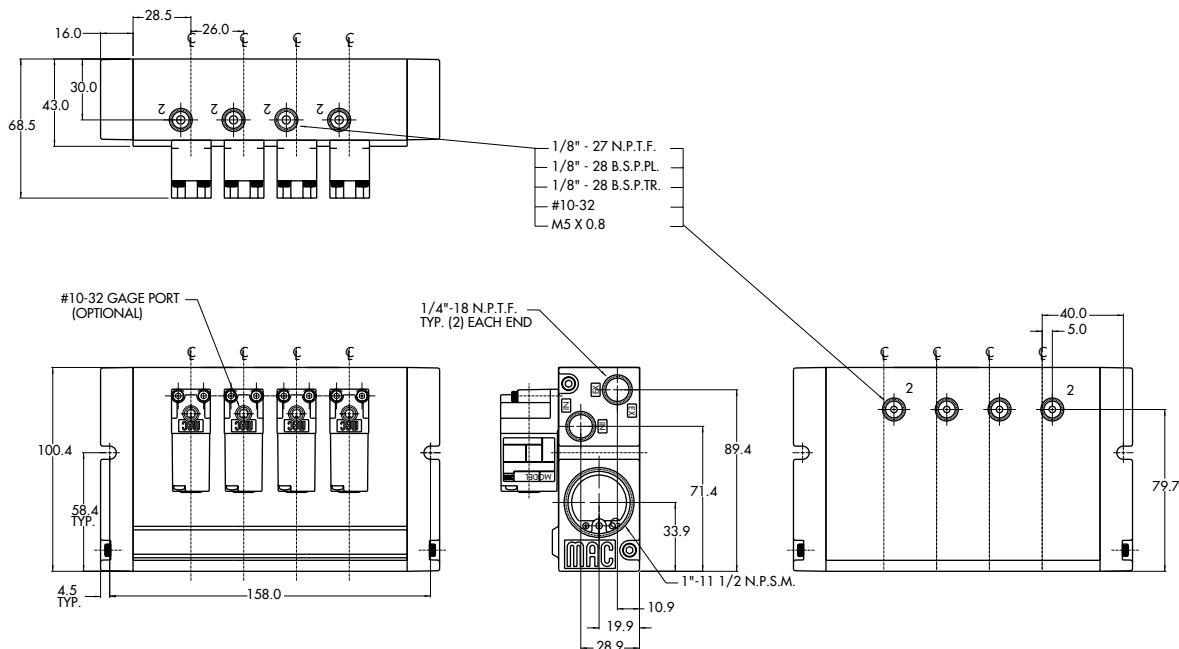
Spare parts :

- Solenoid operator (power ≥ 5.4 W) : DXXX-XXX, including mounting screws 35013.
- Seal between solenoid and valve body : 16402. • Seal between base and valve : 16447.
- Valve mounting screw (x2) : 35020. • Blanking plate valve : M-35004. • Plug-in protector : 16520.

Options :

- BSPP threads. • High flow up to 0.14C<sub>v</sub>, according to wattage. • Isolation of inlet and/or exhaust.

**DIMENSIONS**



Note: Bottom & side cylinder ports not available on the same station

Consult "Precautions" before use, installation or service of MAC Valves.



# Direct solenoid and solenoid pilot operated valves

Function	Port size	Flow [Max]	Circuit bar mounting
<b>3/2 NO-NC</b>	<b>1/8" NPTF - #10-32 UNF</b>	<b>0.10C<sub>v</sub></b>	plug-in with integral terminal strip and side Pr. Reg.

### OPERATIONAL BENEFITS

1. Balanced poppet, immune to variations of pressure.
2. Short stroke with high flow.
3. The patented solenoid develops high shifting forces.
4. Powerful return spring.
5. Manual operator standard on all valves.
6. Burn-out proof solenoid on AC service.



### HOW TO ORDER

HOW TO ORDER VALVE FOR "PLUG-IN" CIRCUIT BAR

	Universal valve
<b>Valve less base</b>	35A-B00-DxxJ-xFM
<b>Valve less base w/ gage port</b>	35A-F00-DxxJ-xFM



### SOLENOID OPERATOR >

D **XX** J- **X** FM \*

<b>XX Voltage</b>	<b>X Manual operator</b>
<b>AA</b> 120/60, 110/50	<b>1</b> Non-locking Recessed
<b>AB</b> 240/60, 220/50	<b>2</b> Locking Recessed
<b>AC</b> 24/60, 24/50	
<b>FB</b> 24VDC (1.8 W)	
<b>DA</b> 24VDC (5.4 W)	
<b>DF</b> 24VDC (12.7 W)	

HOW TO ORDER "PLUG-IN" CIRCUIT BAR WITH PRESSURE REGULATORS (TO BE ORDERED SEPARATELY) \*\*

Port size	Spacing mm	Bottom cylinder ports
<b>1/8" NPTF</b>	26	ECE35A-014A-C0-xx*
<b># 10-32 UNF</b>	26	ECE35A-014B-C0-xx*
<b>1/8" NPTF</b>	40	ECE35A-024A-C0-xx*
<b># 10-32 UNF</b>	40	ECE35A-024B-C0-xx*

Number of stations (03=3 stations)  
 Note : clic for valves mounted on base at the factory, add - 9 to the model number.  
 use 40 mm spacing for valves w/ gage port.  
 end plate kit required: M-45017.

\*\* Pressure Regulators :  
 35A-00M (Adjusting knob)  
 35A-00L (Slotted stem)  
 35A-00U (Locking stem)

\* C0 = terminal strip  
 CA = terminal strip w/light (120V)  
 CB = terminal strip w/light (240V)  
 CD = terminal strip w/light (24V)

**TECHNICAL  
DATA**

<b>Fluid :</b>	Compressed air, vacuum, inert gases		
<b>Pressure range :</b>	Vacuum to 120 PSI		
<b>Lubrication :</b>	Not required, if used select a medium aniline point lubricant (between 180°F and 210°F)		
<b>Filtration :</b>	40 µ		
<b>Temperature range :</b>	0°F to 120°F (-18°C to 50°C)		
<b>Orifice :</b>	2 mm		
<b>Flow (at 6 bar, ΔP=1bar) :</b>	1.8 W : 0.08 C <sub>v</sub> , 5.4 W : 0.1 C <sub>v</sub>		
	i		
<b>Coil :</b>	General purpose class A, continuous duty, encapsulated		
<b>Voltage range :</b>	-15% to +10% of nominal voltage		
<b>Protection :</b>	Nema 4		
<b>Power :</b>	120 VAC/60 = Inrush : 10.9 VA (0.09 AMPS)    Holding : 7.7VA (0.06 AMPS) DC VOLTS = 1.8 W to 12.7 W		
<b>Response times :</b>	24 VDC (5.4W)	Energize : 6 ms	De-energize : 2 ms
	120 VAC	Energize : 3-8 ms	De-energize : 2-7 ms

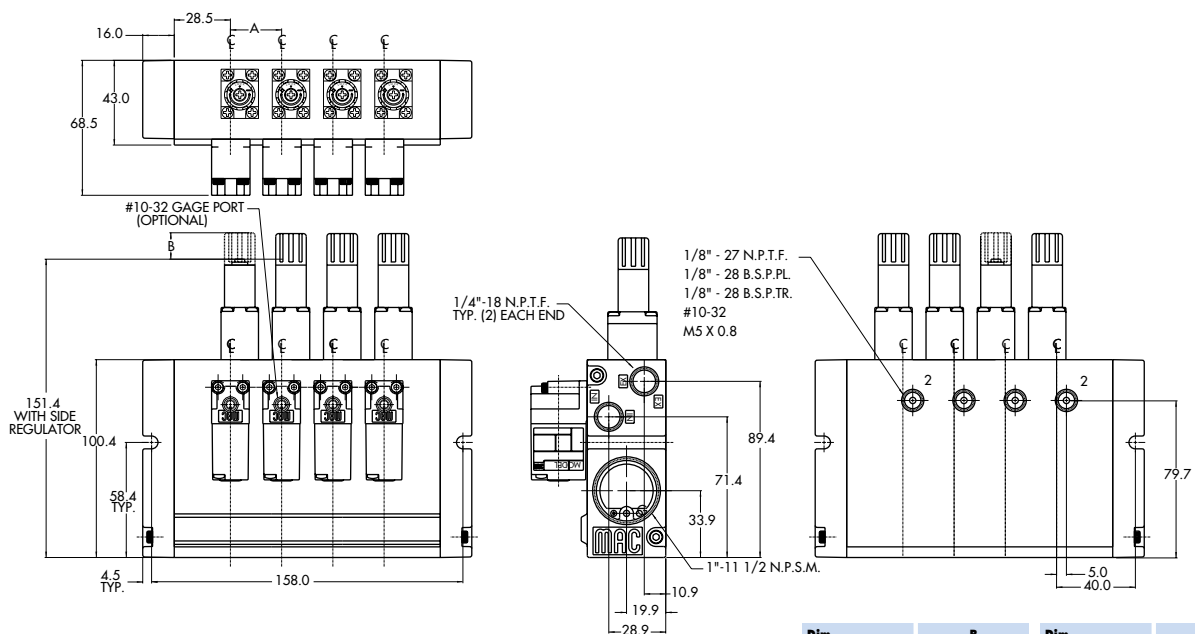
Spare parts :

- Solenoid operator (power ≥ 5.4 W) : DXXX-XXX, including mounting screws 35013.
- Seal between solenoid and valve body : 16402. • Seal between base and valve : 16447.
- Valve mounting screw (x2) : 35020. • Blanking plate valve : M-35004. • Blanking plate regulator : M-35005.
- Plug-in protector : 16520.

Options :

- BSPP threads. • High flow up to 0.14C<sub>v</sub>, according to wattage. • Isolation of inlet and/or exhaust.

**DIMENSIONS**



Dim.	B	Dim.	A
<b>SLOTTED LOCKING STEM</b>	6.0	<b>STANDARD SPACING</b>	26.0
<b>ADJUSTABLE KNOB</b>	13.4	<b>SPACING FOR GAUGES</b>	40.0



## Section 2

## Options



0 p t i o n s

---

**Codification table for voltages / Wire length / Manual operators / Electrical connections**

---

VALVE CODE ➤

**-DXX X - X XX**  
**1 2 3 4**

**OPTIONS AVAILABLE FOR**

- Solenoid valves 35 & 45 Series

---

## 1. VOLTAGE

- D XX	X - X XX	VOLTAGE
AD		24/60
AE		200/60
AF		240/50
AG		100/50, 100/60, 110/60
DB		12 VDC (5.4 W)
DC		12 VDC (7.5 W)
DD		24 VDC (7.3 W)
DE		12 VDC (12.7 W) CLSF
DK		110 VDC (5.8 W)
DL		64 VDC (6.0 W)
DM		36 VDC (5.8 W)
DN		6 VDC (6.0 W)
DP		48 VDC (5.8 W)
DU		24 VDC (6.0 W)
EA		12 VDC (6.0 W)
FA		12 VDC (1.8 W)
FE		12 VDC (2.4 W)
FF		24 VDC (2.4 W)

## 2. WIRE LENGTH

- D XX	X - X XX	WIRE LENGTH
B		24"
C		36"
D		48"
E		72"
F		96"



### 3. MANUAL OPERATOR

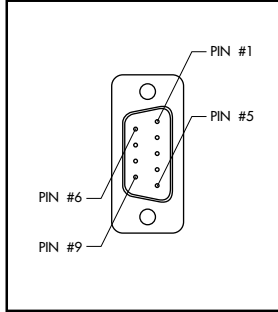
- D XX X - X XX	MANUAL OPERATOR
0	No operator
1	Non-locking recessed
2	Locking recessed
3	Non-locking extended
4	Locking extended

### 4. ELECTRICAL CONNECTION

- D XX X - X XX	ELECTRICAL CONNECTION
BA	Flying leads
BK	BA with protection diode
BL	BA with protection varistor
CA	1/2" NPS conduit
*FN	Plug-in with diode
*FP	Plug-in with M.O.V.
JB	Rectangular connector
JD	Rectangular connector with light
JM	Rectangular connector, male only
KA	Square connector
KB	Square connector with protection diode
KC	Square connector with protection varistor
KD	Square connector with light
KE	Square connector with light and protection diode
KF	Square connector with light and protection varistor
KJ	Square connector (male only)
KK	Square connector with protection diode (male only)
KL	Square connector with protection varistor (male only)
TA	Dual tabs
TB	TA with protection diode
TD	TA with light
TE	TA with light and protection diode
TJ	Dual tabs (male only)
TK	TJ with protection diode
TM	TJ with light
TN	TJ with light and protection diode

\* For use with the ECD and ECE style circuit bars.

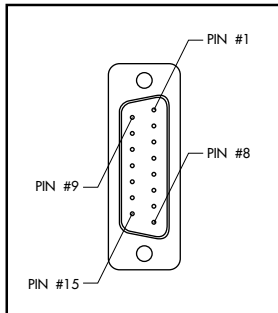
**MOD. S009**



**TECHNICAL DATA**

- Type «SUB\_D»
- Number of contacts : 9
- Solder termination (Dia. 0.6 mm/0.14 mm<sup>2</sup>/26-22 AWG)
- Operating current 5 A/contact
- Rated voltage 125 V~
- Temp. range -40° to +125°C
- Insulation resistance ≥ 5.0<sup>9</sup> Ω
- Protection class IP40 (DIN 40050)
- Number of solenoids : 7 max.
- Max. 24 V=/5.4 W per solenoid
- 2 common wires

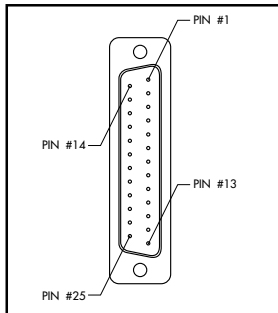
**MOD. S015**



**TECHNICAL DATA**

- Type «SUB\_D»
- Number of contacts : 15
- Solder termination (Dia. 0.6 mm/0.14 mm<sup>2</sup>/26-22 AWG)
- Operating current 5 A/contact
- Rated voltage 125 V~
- Temp. range -40° to +125°C
- Insulation resistance ≥ 5.0<sup>9</sup> Ω
- Protection class IP40 (DIN 40050)
- Number of solenoids : 12 max.
- Max. 24 V=/5.4 W per solenoid
- 3 common wires

**MOD. S025**



**TECHNICAL DATA**

- Type «SUB\_D»
- Number of contacts : 25
- Solder termination (Dia. 0.6 mm/0.14 mm<sup>2</sup>/26-22 AWG)
- Operating current 5 A/contact
- Rated voltage 125 V~
- Temp. range -40° to +125°C
- Insulation resistance ≥ 5.0<sup>9</sup> Ω
- Protection class IP40 (DIN 40050)
- Number of solenoids : 20 max.
- Max. 24 V=/5.4 W per solenoid
- 5 common wires

Note : Use desired MOD. number after circuit bar part number

Connector termination details

