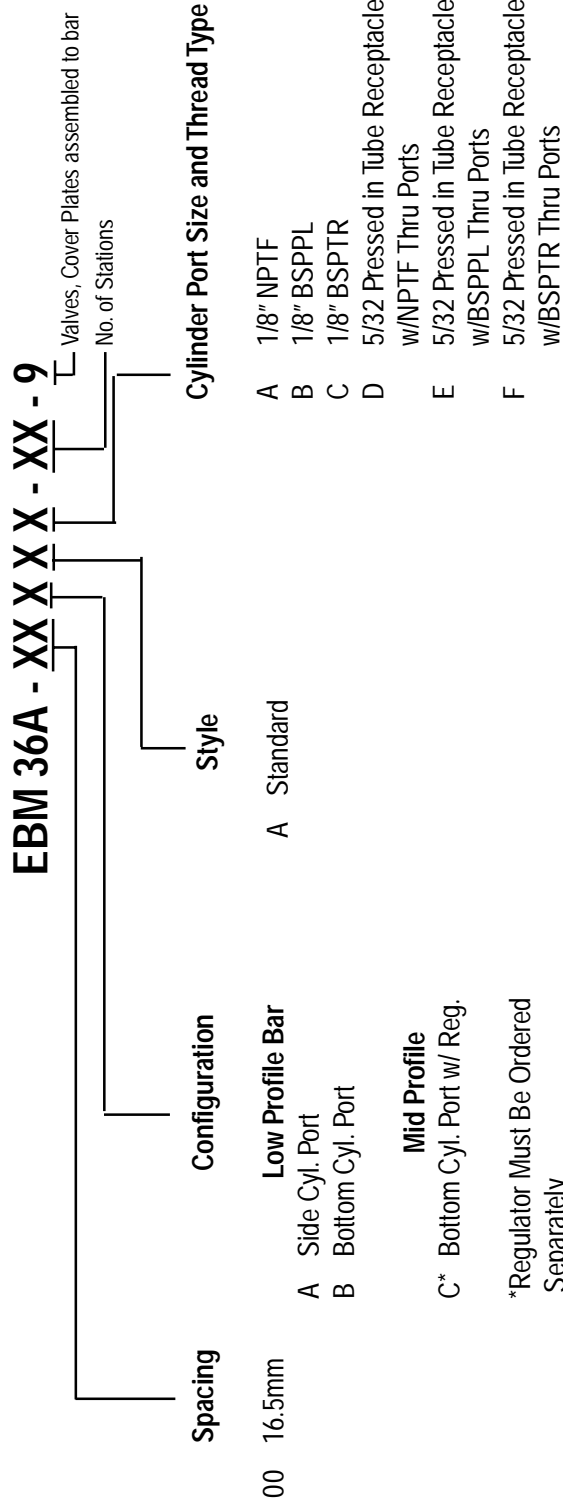
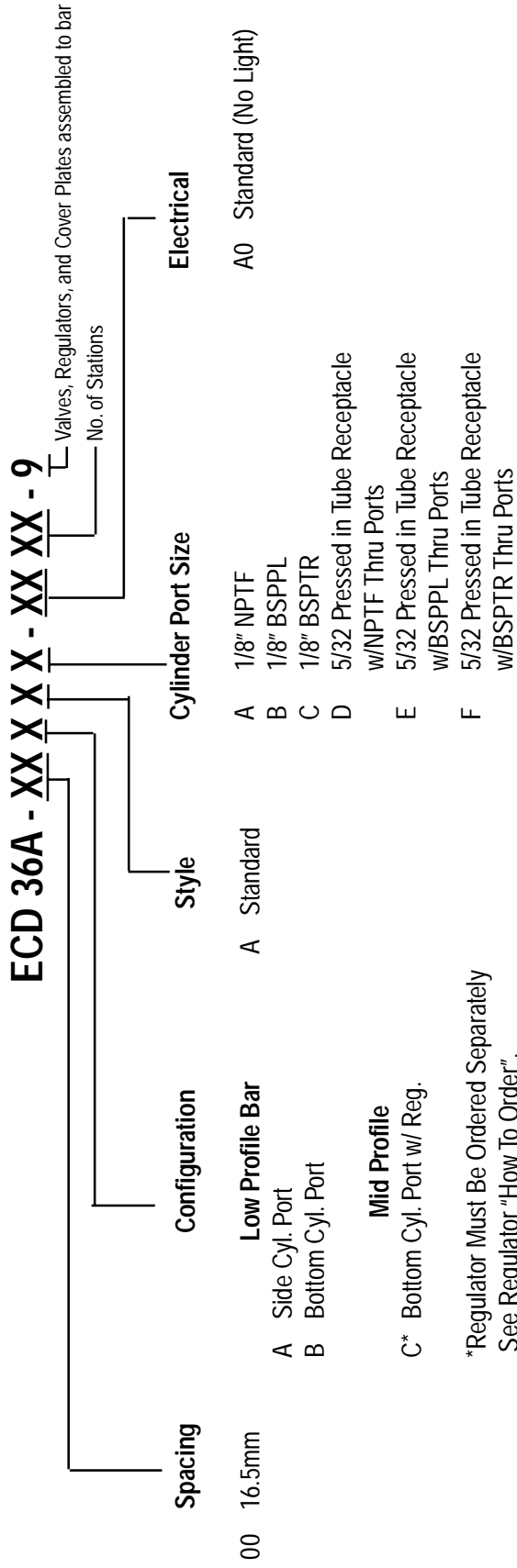


How to Order Non Plug In Circuit Bar for 36 Series



Blank Plate Kits
M-36002 Valve Cover Plate
N-46004 Regulator Cover Plate

How to Order Plug In Circuit Bar for 36 Series



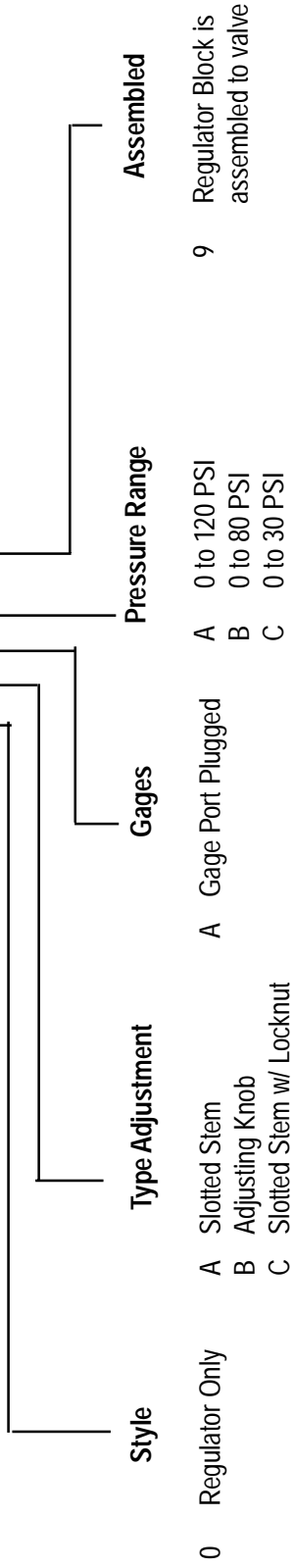
*Regulator Must Be Ordered Separately
See Regulator "How To Order".

- Blank Plate Kits
- M-36002 Valve Cover Plate
- N-46004 Regulator Cover Plate

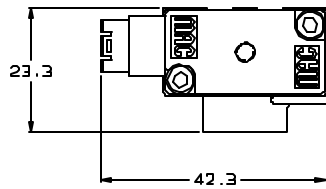
How to Order

36 / 46 Series Regulator

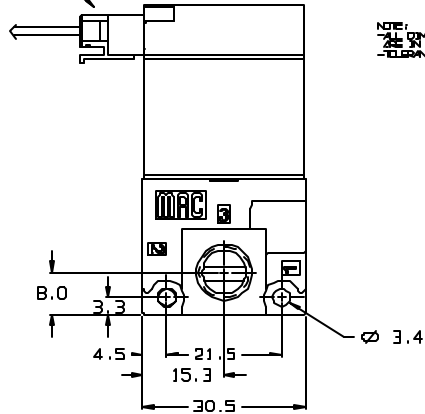
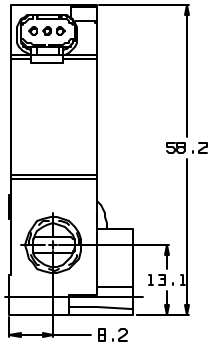
PR46A - X X X X - X



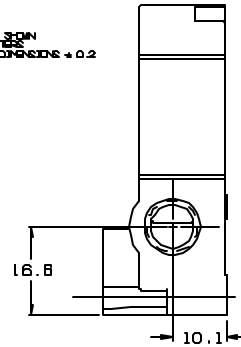
36 SERIES INLINE



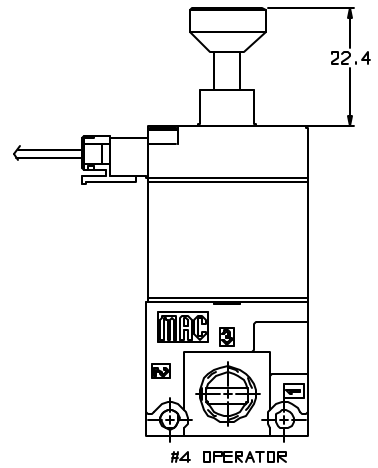
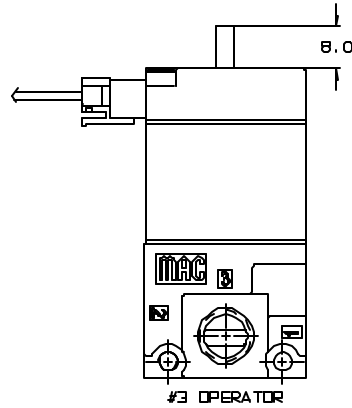
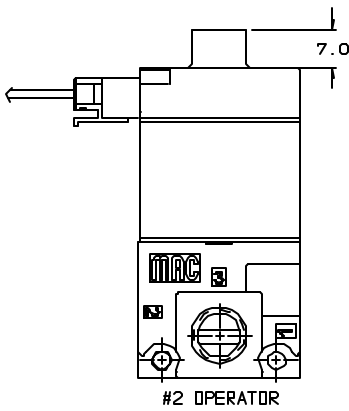
MACJAC ELECTRICAL CONNECTOR



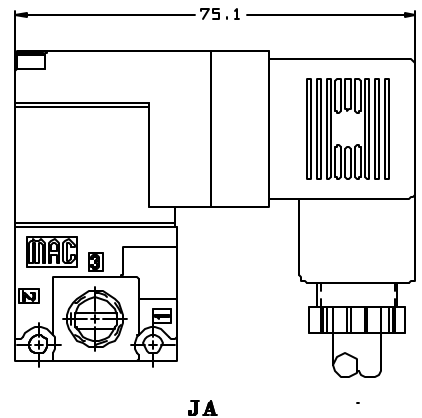
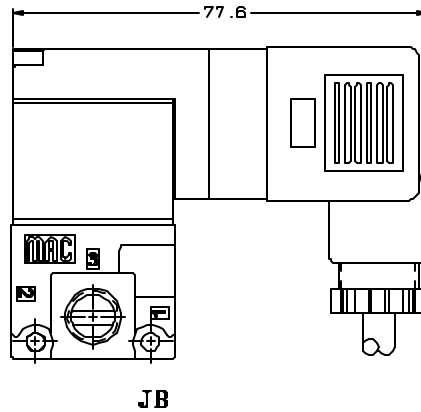
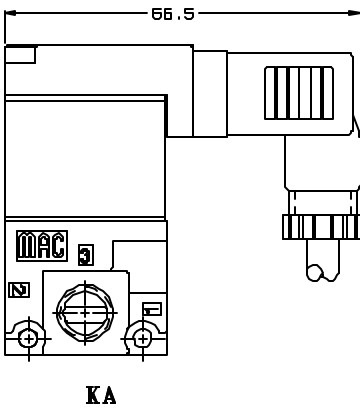
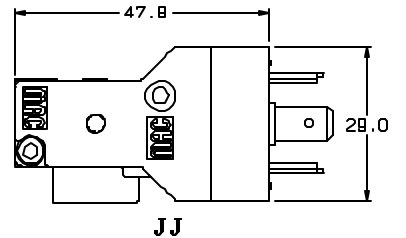
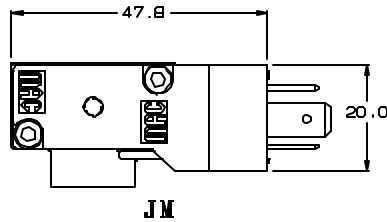
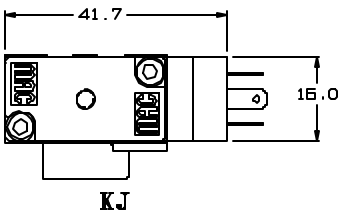
NOTE:
ALL DIMENSIONS IN
INCHES UNLESS OTHERWISE
SPECIFIED IN DIMENSIONS ± 0.2

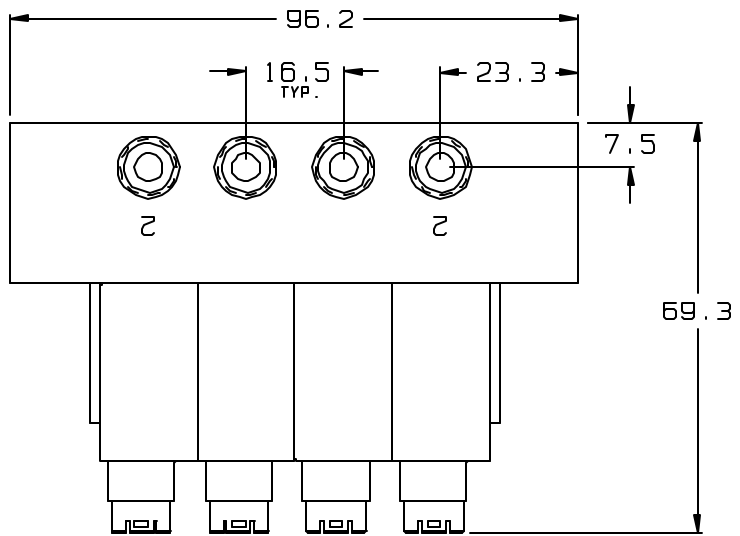


OPTIONAL MANUAL OPERATORS

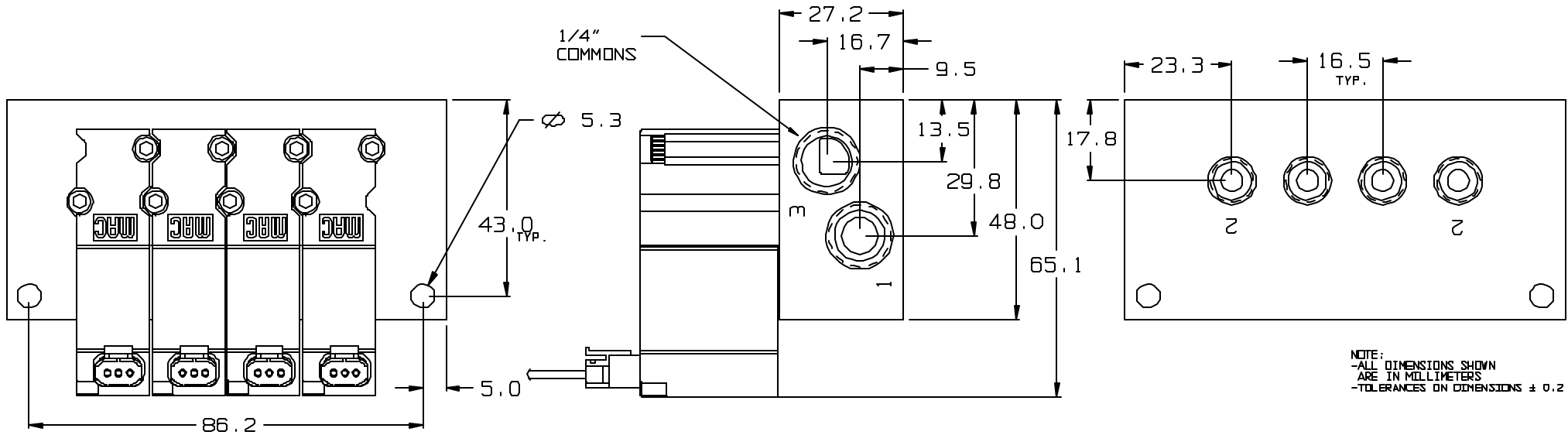


OPTIONAL ELECTRICAL CONNECTORS

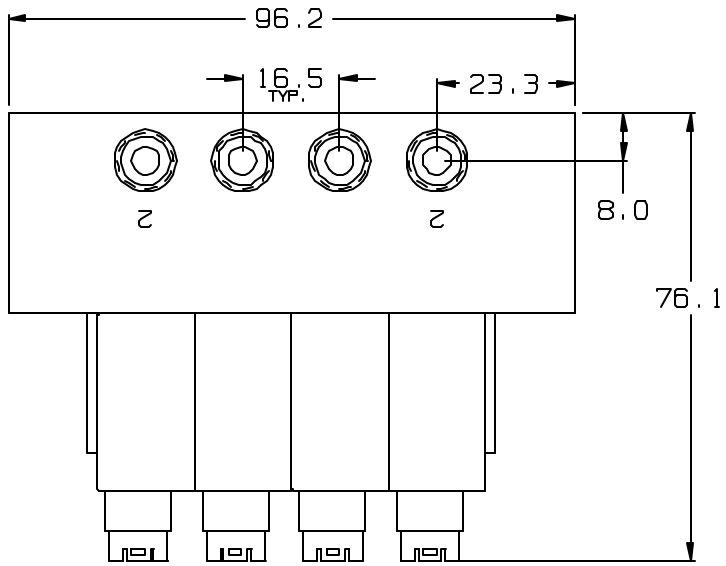




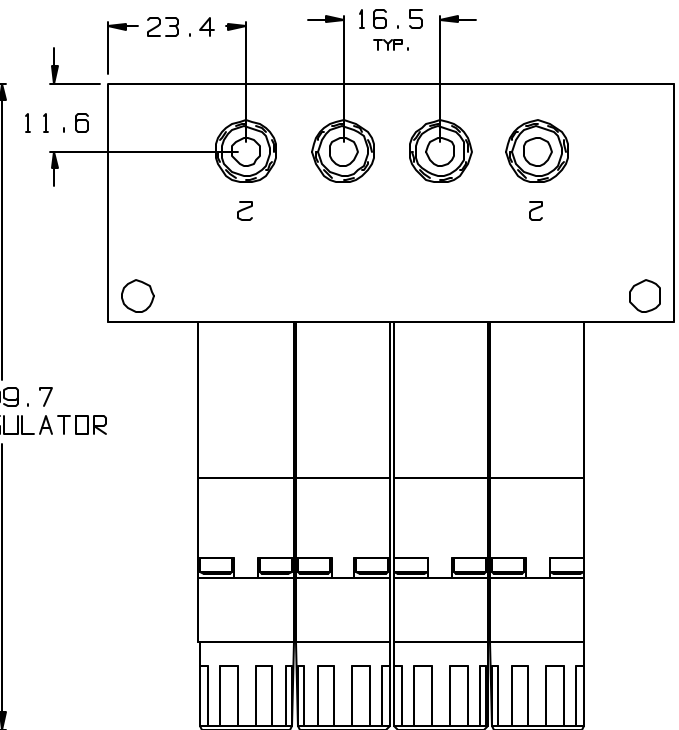
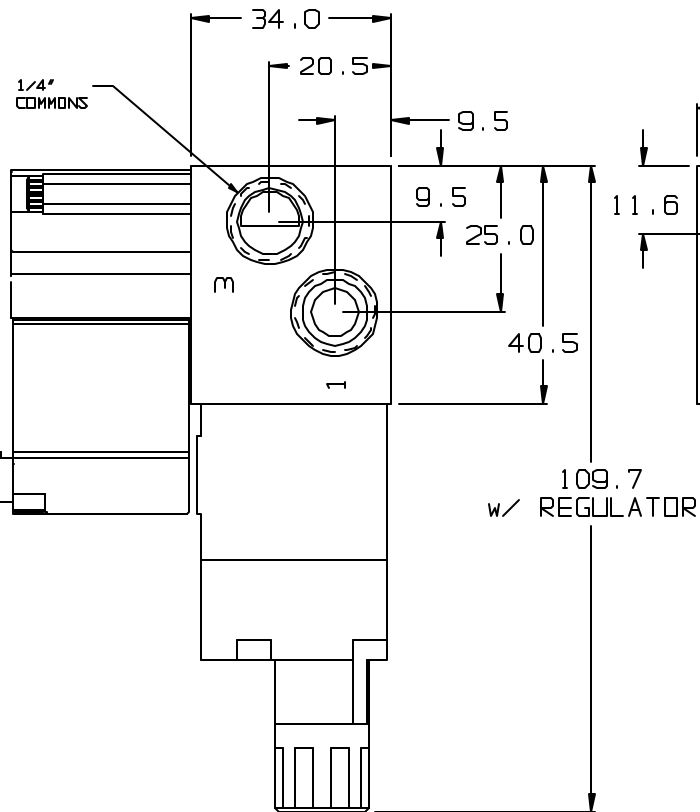
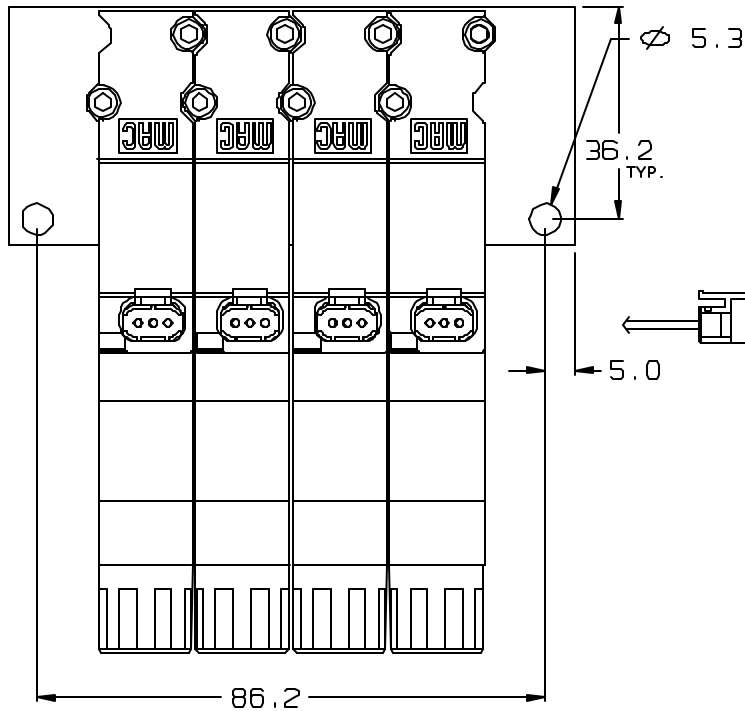
36 SERIES NON PLUG-IN EBM BAR LOW PROFILE



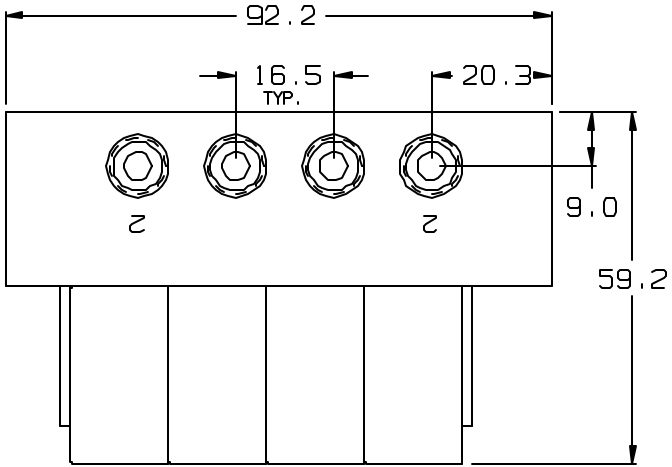
NOTE:
-ALL DIMENSIONS SHOWN
ARE IN MILLIMETERS
-TOLERANCES ON DIMENSIONS ± 0.2



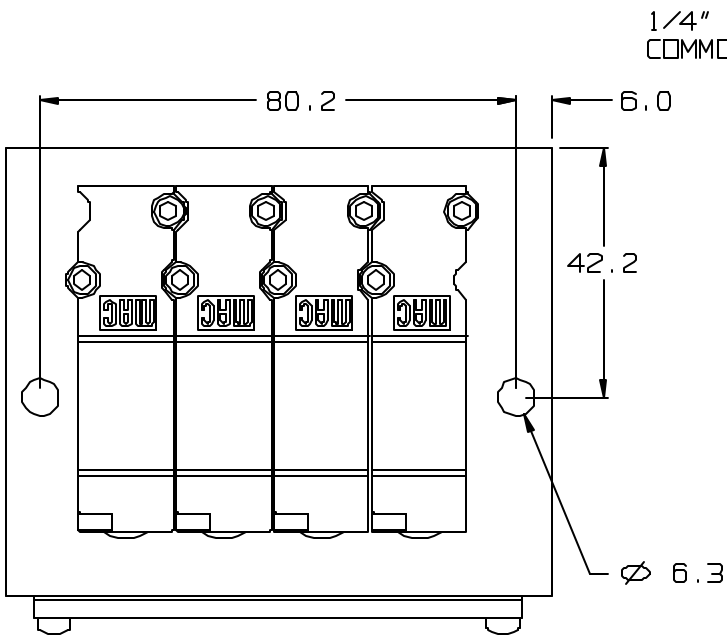
36 SERIES NON PLUG-IN EBM BAR MID PROFILE



NOTE:
-ALL DIMENSIONS SHOWN
-ARE IN MILLIMETERS
-TOLERANCES ON DIMENSIONS ± 0.2

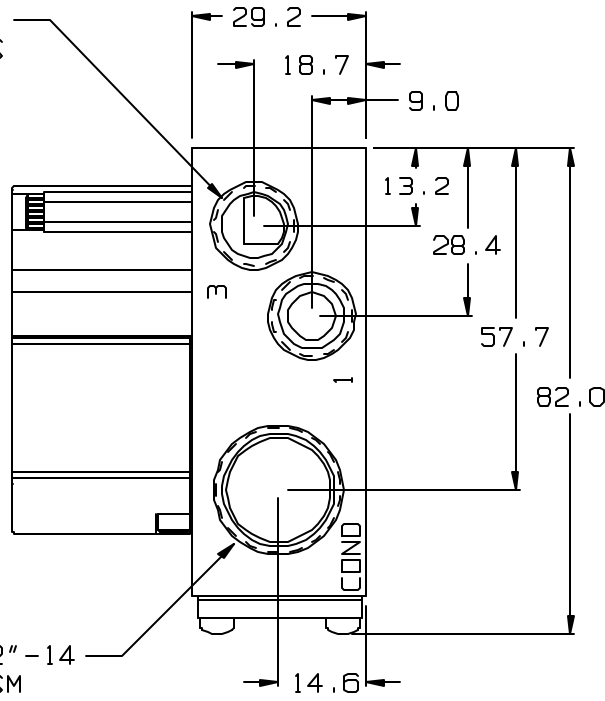


36 SERIES PLUG-IN ECD BAR LOW PROFILE

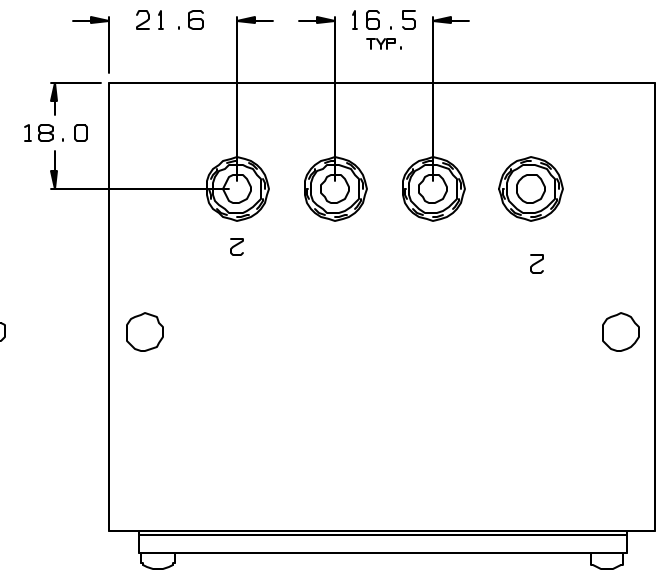


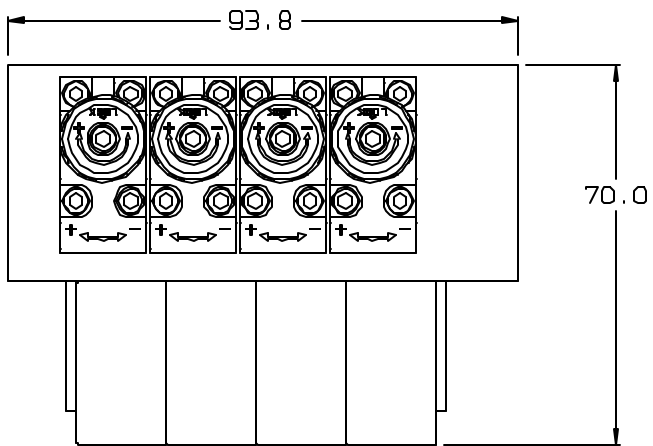
1/4" COMMONS

1/2"-14
NPSM

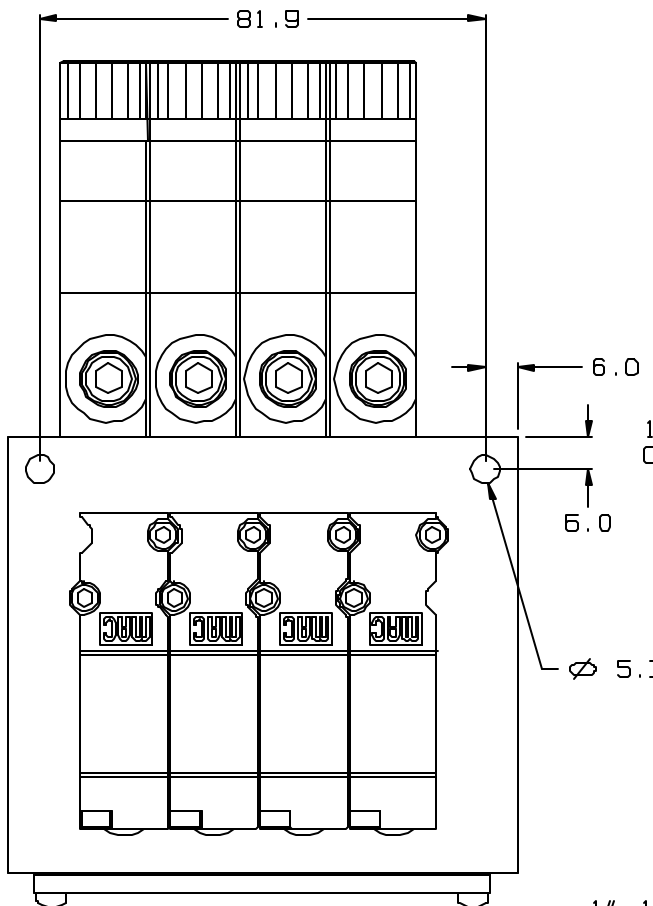


NOTE:
-ALL DIMENSIONS SHOWN
ARE IN MILLIMETERS
-TOLERANCES ON DIMENSIONS ± 0.2



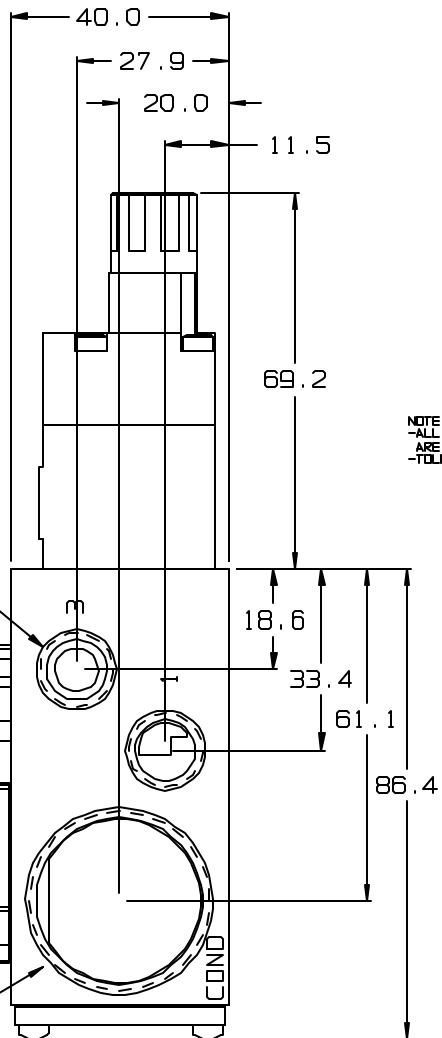


36 SERIES PLUG-IN ECD BAR MID PROFILE



1/4" COMMONS

1" 11 1/2 NPSM



NOTE:
-ALL DIMENSIONS SHOWN
ARE IN MILLIMETERS
-TOLERANCES ON DIMENSIONS ± 0.2

