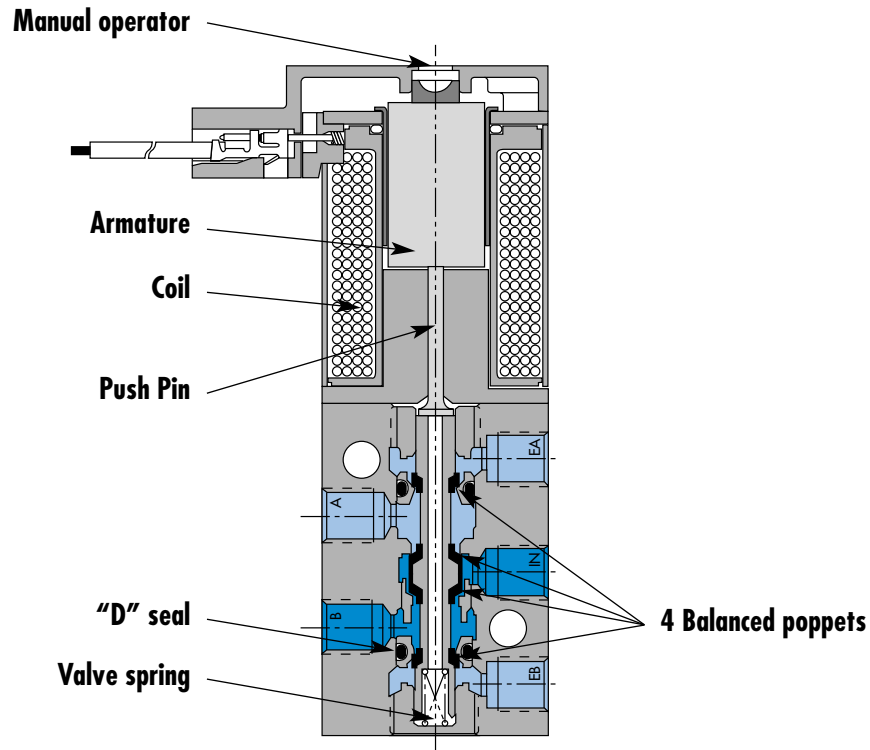


Circuit bar mounting

| | | | | | | | |
|---|--|-----------------------------|--|---|---|----------------------------------|--|
| non plug-in cylinder ports in base | non plug-in cylinder ports in valve | plug-in | plug-in with F. C. | plug-in with Pr. Reg. | plug-in with Pr. Reg. and F. C. | add-on style plug-in | add-on style plug-in with F. C. |
| add-on style plug-in with Pr. Reg. | add-on style plug-in with Pr. Reg. and F. C. | plug-in add-a-unit stations | plug-in add-a-unit stations with F. C. | plug-in add-a-unit stations with Pr. Reg. | plug-in add-a-unit stations with F. C. and Pr. Reg. | plug-in with pre-wired connector | plug-in with F. C. and pre-wired connector |
| plug-in with Pr. Reg. and pre-wired connector | din rail, plug-in with pre-wired connector | | | | | | |



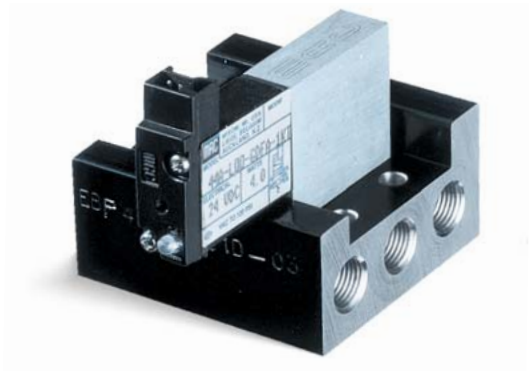
SERIES FEATURES

- High force MACSOLENOID®.
- 10mm direct operated.
- # 10-32 or M5 ports.
- Rated for lubricated or non-lubricated service.
- Cylinder ports in valve or in circuit bar.

| Function | Port size | Flow [Max] | Circuit bar mounting |
|-----------------------|--------------------|---------------------------|------------------------------------|
| 5/2, 3/2 NO-NC | M5 - #10-32 | 0.093C_v | non plug-in cylinder ports in base |

OPERATIONAL BENEFITS



1. 10 mm valve, direct solenoid operated.
2. Balanced poppet, immune to variations of pressure.
3. Short stroke with high flow.
4. The patented solenoid develops high shifting forces.
5. Powerful return spring.
6. Flow is specifically adjusted on each valve.
7. Manual operator standard on all valves.



HOW TO ORDER

44B-xxx-Gxxx-xxx

HOW TO ORDER VALVE FOR CIRCUIT BAR MOUNTING

| Port size (see base) | Valve | Valve for use with external flow controls |
|------------------------|--|--|
| |  |  |
| Valve less base | <input type="radio"/> 44B-100-Gxxx-xxx | <input type="radio"/> 44B-M00-Gxxx-xxx |

SOLENOID OPERATOR >

G **XX X- X XX**

| XX Voltage | X Wire length | X Manual operator | XX Electrical connection |
|--|---------------------------------------|-------------------------------------|--|
| <input type="radio"/> DA 24VDC (1.0 W) | <input type="radio"/> A 18" | <input type="radio"/> 1 Non-locking | <input type="radio"/> BA Flying leads |
| <input type="radio"/> DC 24VDC (1.8 W) | <input type="radio"/> C 36" | | <input type="radio"/> BT Flying leads with light |
| <input type="radio"/> DD 24VDC (2.5 W) | <input type="radio"/> x Other Options | | <input type="radio"/> KA Mini connector |
| <input type="radio"/> DF 24VDC (4.0 W) | | | <input type="radio"/> KT Mini connector with light |
| <input type="radio"/> xx Other Options | | | <input type="radio"/> xx Other Options |

EBP44B-xxxx-xx

HOW TO ORDER CIRCUIT BAR

| Port size | Side cylinder ports | Bottom cylinder ports |
|----------------|--------------------------------------|--------------------------------------|
| M5 | <input type="radio"/> EBP44B-001D-xx | <input type="radio"/> EBP44B-002D-xx |
| # 10-32 | <input type="radio"/> EBP44B-001B-xx | <input type="radio"/> EBP44B-002B-xx |

Number of stations (03=3 stations)

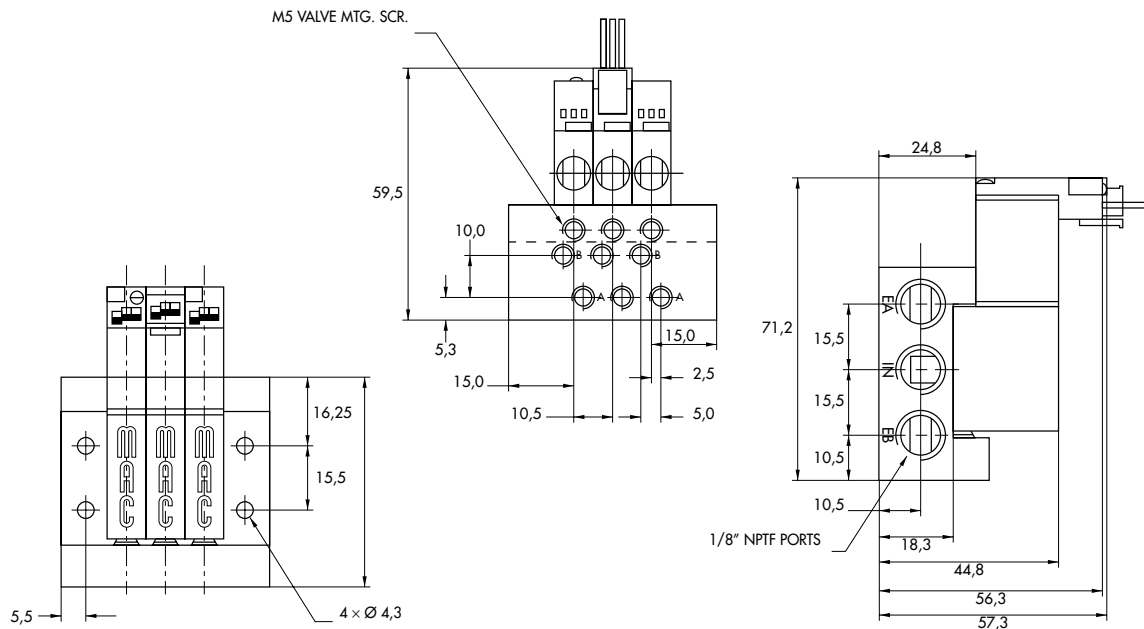
Note : clic for valves mounted on base at the factory (add - 9 to the model number).

**TECHNICAL
DATA**

| | |
|-----------------------------------|---|
| Fluid : | Compressed air, vacuum, inert gases |
| Pressure range : | Vacuum to 120 PSI |
| Lubrication : | Not required, if used select a medium aniline point lubricant (between 180°F and 210°F) |
| Filtration : | 40 µ |
| Temperature range : | 0°F to 120°F (-18°C to +50°C) |
| Orifice : | 1.8 mm |
| Flow (at 6 bar, ΔP=1bar) : | 4 W : 0.093 C _v , 2.5 W : 0.077 C _v , 1,8 W : 0.057 C _v , 1.0 W : 0.048 C _v |
| Coil : | General purpose class A, continuous duty, encapsulated |
| Voltage range : | -15% to +10% of nominal voltage |
| Power : | 4 W - 2.5 W - 1.8 W - 1.0 W |
| Response times : | Energize : 3.4 ms |
| (with 4 W coil) | De-energize : 1.5 ms |

- Note : • Valve and coil are not interchangeable.
- Spare parts : • Valve mounting kit : N-44001-03. • Blanking plate : M-44003.
- Options : • Isolation of inlet and/or exhaust. Special bar. Consult Factory.

DIMENSIONS



| | | | |
|-----------------------|-----------------------------|---------------------------|-------------------------------------|
| Function | Port size (Inlet & Exhaust) | Flow (Max) | Circuit bar mounting |
| 5/2, 3/2 NO-NC | # 10-32 - 1/8" | 0.093C_v | non plug-in cylinder ports in valve |

OPERATIONAL BENEFITS

1. 10 mm valve, direct solenoid operated.
2. Balanced poppet, immune to variations of pressure.
3. Short stroke with high flow.
4. The patented solenoid develops high shifting forces.
5. Powerful return spring.
6. Flow is specifically adjusted on each valve.
7. Manual operator standard on all valves.

Reset



HOW TO ORDER

44B-xxx-Gxxx-xxx

HOW TO ORDER VALVE FOR CIRCUIT BAR MOUNTING

| Valve port size | Valve | Valve for use with external flow controls |
|-----------------|--|---|
| | | |
| M5 | <input type="radio"/> 44B-ABA-Gxxx-xxx | <input type="radio"/> 44B-BBA-Gxxx-xxx |
| # 10-32 | <input type="radio"/> 44B-AAA-Gxxx-xxx | <input type="radio"/> 44B-BAA-Gxxx-xxx |

SOLENOID OPERATOR >

G XX X- X XX*

| XX Voltage | X Wire length | X Manual operator | XX Electrical connection |
|--|---------------------------------------|-------------------------------------|--|
| <input type="radio"/> DA 24VDC (1.0 W) | <input type="radio"/> A 18" | <input type="radio"/> I Non-locking | <input type="radio"/> BA Flying leads |
| <input type="radio"/> DC 24VDC (1.8 W) | <input type="radio"/> C 36" | | <input type="radio"/> BT Flying leads with light |
| <input type="radio"/> DD 24VDC (2.5 W) | <input type="radio"/> X Other Options | | <input type="radio"/> KA Mini connector |
| <input type="radio"/> DF 24VDC (4.0 W) | | | <input type="radio"/> KT Mini connector with light |
| <input type="radio"/> XX Other Options | | | <input type="radio"/> XX Other Options |

EBM44A-xxxx-xx

HOW TO ORDER CIRCUIT BAR

| Port size COMMON INLET & EXHAUST | |
|-------------------------------------|--------------------------------------|
| # 10-32 | <input type="radio"/> EBM44A-001B-xx |
| 1/8" NPTF | <input type="radio"/> EBM44A-002A-xx |

Number of stations (03=3 stations)

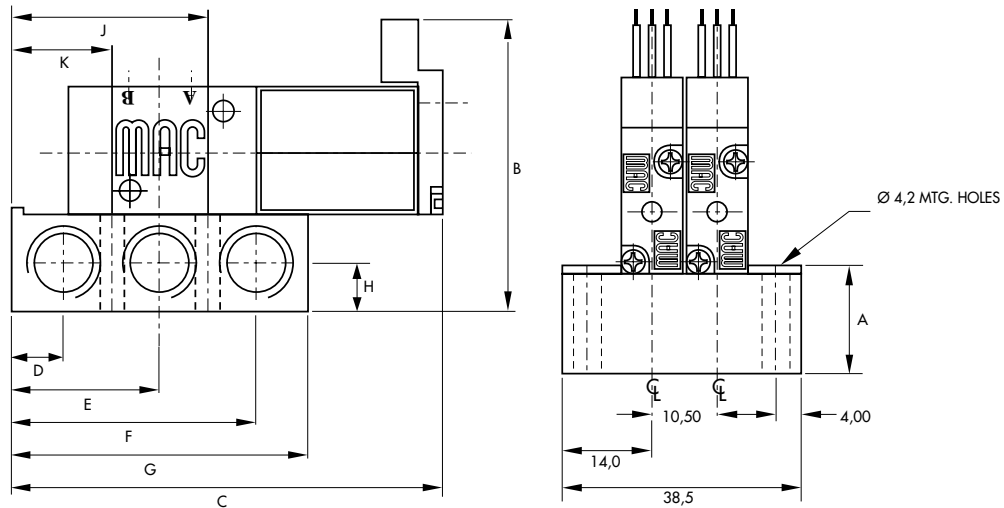
Note: clic for valves mounted on base at the factory (add - 9 to the model number).

**TECHNICAL
DATA**

| | |
|-----------------------------------|---|
| Fluid : | Compressed air, vacuum, inert gases |
| Pressure range : | Vacuum to 120 PSI |
| Lubrication : | Not required, if used select a medium aniline point lubricant (between 180°F and 210°F) |
| Filtration : | 40 µ |
| Temperature range : | 0°F to 120°F (-18°C to +50°C) |
| Orifice : | 1.8 mm |
| Flow (at 6 bar, ΔP=1bar) : | 4 W : 0.093 C _v , 2.5 W : 0.077 C _v , 1,8 W : 0.057 C _v , 1.0 W : 0.048 C _v |
| Coil : | General purpose class A, continuous duty, encapsulated |
| Voltage range : | -15% to +10% of nominal voltage |
| Power : | 4 W - 2.5 W - 1.8 W - 1.0 W |
| Response times : | Energize : 3.5 ms |
| (with 4 W coil) | De-energize : 1.5 ms |

- Note : • Valve and coil are not interchangeable.
- Spare parts : • Valve mounting kit (M5) : M-44001-21. • Valve mounting kit (1/8") : M-44001-01. • Blanking plate : 30426-A.
- Options : • Isolation of inlet and/or exhaust. Special bar. Consult Factory.

DIMENSIONS



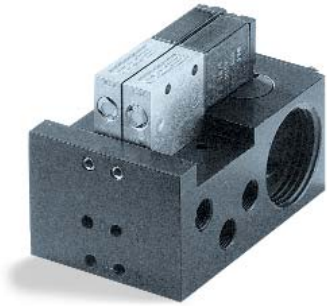
| Port size | A | B | C | D | E | F | G | H | J | K |
|-----------|------|------|------|-----|------|------|------|-----|-------|-------|
| 1/8" | 16.0 | 47.5 | 69.2 | 8.5 | 24.0 | 39.5 | 48.0 | 8.0 | 31.85 | 16.15 |
| M5 | 12.0 | 43.5 | 63.2 | 5.0 | 17.0 | 29.0 | 34.0 | 6.0 | 23.00 | 11.00 |

| | | | |
|-----------------------|--------------------|--------------------------|-----------------------------|
| Function | Port size | Flow [Max] | Circuit bar mounting |
| 5/2, 3/2 NO-NC | M5 - #10-32 | 0.09C_v | plug-in |

OPERATIONAL BENEFITS

1. 10 mm valve, direct solenoid operated.
2. Balanced poppet, immune to variations of pressure.
3. Short stroke with high flow.
4. The patented solenoid develops high shifting forces.
5. Powerful return spring.
6. Flow is specifically adjusted on each valve.
7. Manual operator standard on all valves.

Reset



HOW TO ORDER

44B-xxx-GxxO-xxx

HOW TO ORDER VALVE FOR CIRCUIT BAR MOUNTING

| | |
|-----------------------------|--|
| Port size (see base) | Single operator |
| Valve less base | <input type="radio"/> 44B-LOO-GxxO-xxx |

SOLENOID OPERATOR

G XX O - X XX*

| XX Voltage | X Manual operator | XX Electrical connection |
|--|-------------------------------------|---|
| <input type="radio"/> DA 24VDC (1.0 W) | <input type="radio"/> 1 Non-locking | <input type="radio"/> DJ Plug-in |
| <input type="radio"/> DC 24VDC (1.8 W) | | <input type="radio"/> DT Plug-in with light |
| <input type="radio"/> DD 24VDC (2.5 W) | | <input type="radio"/> DE Plug-in with suppression diode |
| <input type="radio"/> DF 24VDC (4.0 W) | | <input type="radio"/> DV Plug-in with light and suppression diode |
| <input type="radio"/> xx Other Options | | <input type="radio"/> xx Other Options |

ECD044B-00xxx-AOxx

HOW TO ORDER CIRCUIT BAR

| | | |
|------------------|--|--|
| Port size | Side cylinder ports (10.5 mm) | Bottom cylinder ports (10.5 mm) |
| M5 | <input type="radio"/> ECD044B-001AD-AOxx | <input type="radio"/> ECD044B-002AD-AOxx |
| # 10-32 | <input type="radio"/> ECD044B-001AB-AOxx | <input type="radio"/> ECD044B-002AB-AOxx |

Number of stations (03=3 stations)

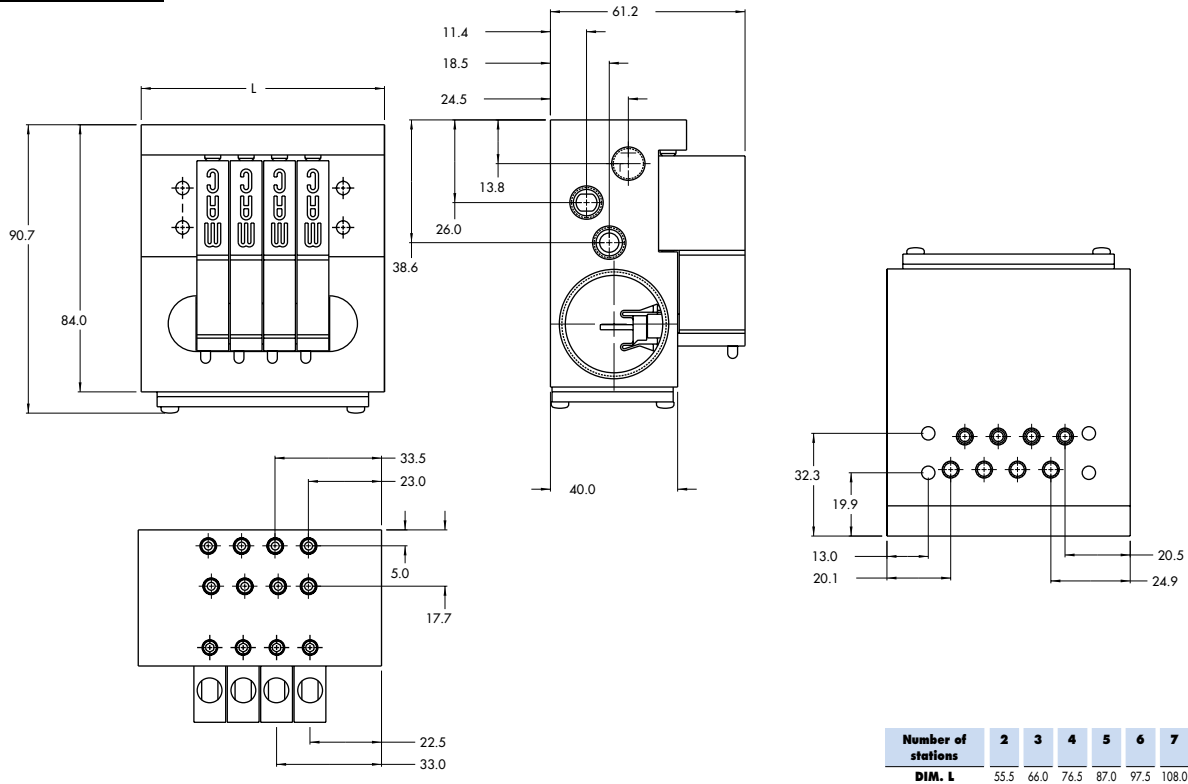
Note : clic for valves mounted on base at the factory (add - 9 to the model number).
 clic for multi-pin connector option (9, 15 or 25).

**TECHNICAL
D A T A**

| | |
|-----------------------------------|---|
| Fluid : | Compressed air, vacuum, inert gases |
| Pressure range : | Vacuum to 120 PSI |
| Lubrication : | Not required, if used select a medium aniline point lubricant (between 180°F and 210°F) |
| Filtration : | 40 µ |
| Temperature range : | 0°F to 120°F (-18°C to +50°C) |
| Orifice : | 1.8 mm |
| Flow (at 6 bar, ΔP=1bar) : | 4 W : 0.09 C _v , 2.5 W : 0.08 C _v , 1.8 W : 0.06 C _v , 1.0 W : 0.05 C _v |
| Coil : | General purpose class A, continuous duty, encapsulated |
| Voltage range : | -15% to +10% of nominal voltage |
| Power : | 4 W - 2.5 W - 1.8 W - 1.0 W |
| Response times : | Energize : 4 ms |
| (with 4 W coil) | De-energize : 1.5 ms |

- Note : • Valve and coil are not interchangeable.
- Spare parts : • Valve mounting kit : N-44001-03. • Blanking plate : M-44003.
- Options : • Isolation of inlet and/or exhaust. • BSPP Threads.

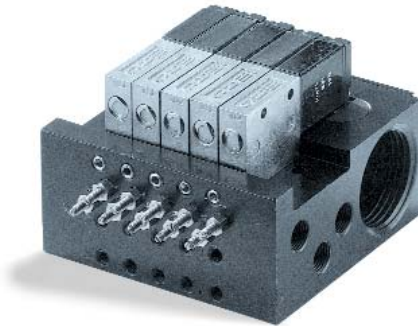
DIMENSIONS



| | | | |
|-----------------------|--------------------|--------------------------|-----------------------------|
| Function | Port size | Flow [Max] | Circuit bar mounting |
| 5/2, 3/2 NO-NC | M5 - #10-32 | 0.08C_v | plug-in with F. C. |

OPERATIONAL BENEFITS

1. 10 mm valve, direct solenoid operated.
2. Balanced poppet, immune to variations of pressure.
3. Short stroke with high flow.
4. The patented solenoid develops high shifting forces.
5. Powerful return spring.
6. Flow is specifically adjusted on each valve.
7. Manual operator standard on all valves.



HOW TO ORDER

44B-xxx-GxxO-xxx

HOW TO ORDER VALVE FOR CIRCUIT BAR MOUNTING

| | |
|-----------------------------|--|
| Port size (see base) | Single operator |
| Valve less base |  <input type="radio"/> 44B-MOO-GxxO-xxx |

SOLENOID OPERATOR >

G **XX** O - X **XX** *

| XX Voltage | X Manual operator | XX Electrical connection |
|---|--|--|
| <input type="radio"/> DA 24VDC (1.0 W) | <input type="radio"/> 1 Non-locking | <input type="radio"/> DJ Plug-in |
| <input type="radio"/> DC 24VDC (1.8 W) | | <input type="radio"/> DT Plug-in with light |
| <input type="radio"/> DD 24VDC (2.5 W) | | <input type="radio"/> DE Plug-in with suppression diode |
| <input type="radio"/> DF 24VDC (4.0 W) | | <input type="radio"/> DV Plug-in with light and suppression diode |
| <input type="radio"/> xx Other Options | | <input type="radio"/> xx Other Options |

ECD044B-00xxx-AOxx

HOW TO ORDER CIRCUIT BAR WITH FLOW CONTROLS

| Port size | Side cylinder ports (10.5 mm) | Bottom cylinder ports (10.5 mm) |
|------------------|--|--|
| M5 | <input type="radio"/> ECD044B-005AD-AOxx | <input type="radio"/> ECD044B-006AD-AOxx |
| # 10-32 | <input type="radio"/> ECD044B-005AB-AOxx | <input type="radio"/> ECD044B-006AB-AOxx |

Number of stations (03=3 stations)

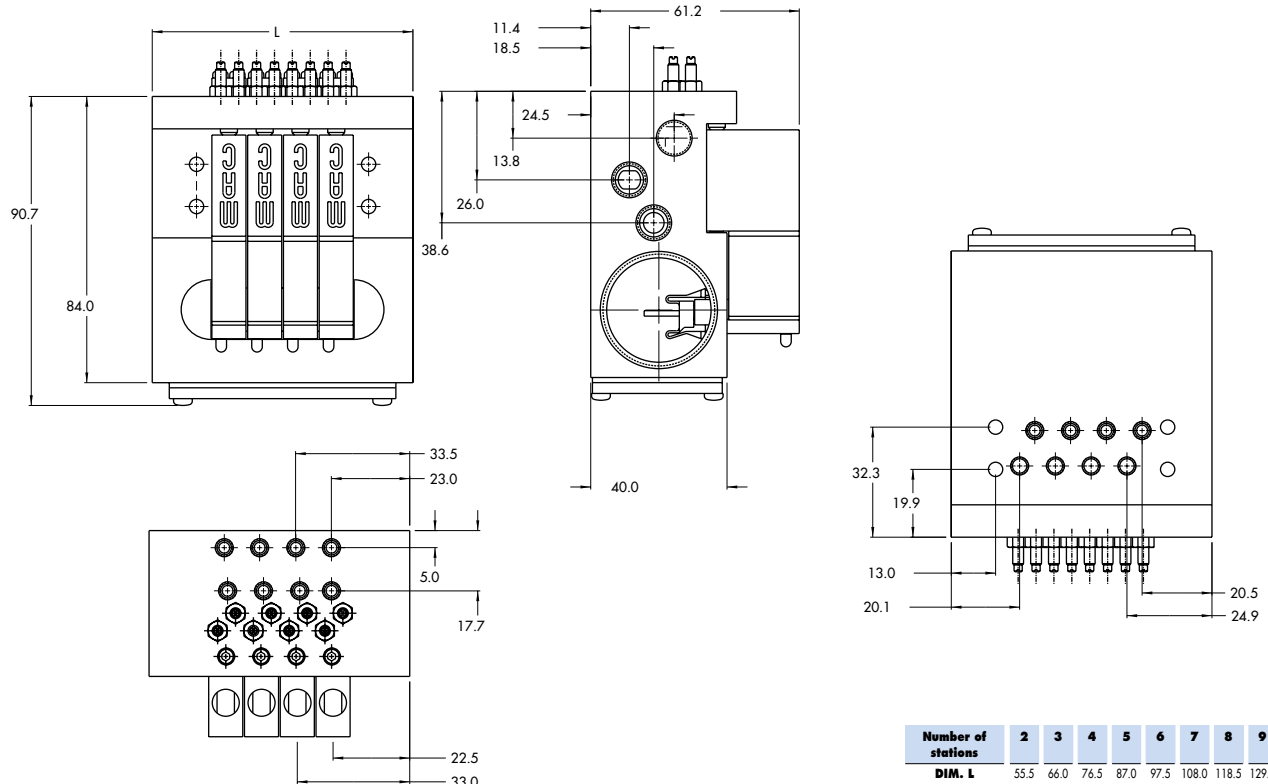
Note : clic for valves mounted on base at the factory (add - 9 to the model number).
 clic for multi-pin connector option (9, 15 or 25).

**TECHNICAL
D A T A**

| | |
|-----------------------------------|---|
| Fluid : | Compressed air, vacuum, inert gases |
| Pressure range : | Vacuum to 120 PSI |
| Lubrication : | Not required, if used select a medium aniline point lubricant (between 180°F and 210°F) |
| Filtration : | 40 µ |
| Temperature range : | 0°F to 120°F (-18°C to +50°C) |
| Orifice : | 1.8 mm |
| Flow (at 6 bar, ΔP=1bar) : | 4 W : 0.09 C _v , 2.5 W : 0.08 C _v , 1.8 W : 0.06 C _v , 1.0 W : 0.05 C _v |
| Coil : | General purpose class A, continuous duty, encapsulated |
| Voltage range : | -15% to +10% of nominal voltage |
| Power : | 4 W - 2.5 W - 1.8 W - 1.0 W |
| Response times : | Energize : 4 ms |
| (with 4 W coil) | De-energize : 1.5 ms |

- Note :
 - Valve and coil are not interchangeable.
- Spare parts :
 - Valve mounting kit : N-44001-03. • Blanking plate : M-44003. • Flow control needle (x2): N-44002.
 - Base wire Plug-in protector : 24180.
- Options :
 - Isolation of inlet and/or exhaust. • BSPP Threads.

DIMENSIONS



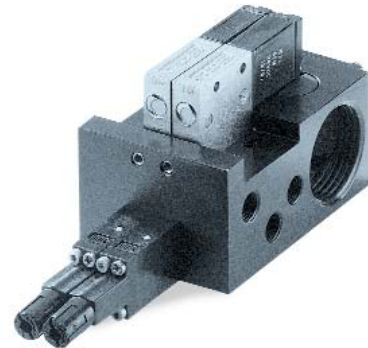
Consult "Precautions" before use, installation or service of MAC Valves.

| | | | |
|-----------------------|--------------------|--------------------------|-----------------------------|
| Function | Port size | Flow [Max] | Circuit bar mounting |
| 5/2, 3/2 NO-NC | M5 - #10-32 | 0.08C_v | plug-in with Pr. Reg. |

OPERATIONAL BENEFITS

1. 10 mm valve, direct solenoid operated.
2. Balanced poppet, immune to variations of pressure.
3. Short stroke with high flow.
4. The patented solenoid develops high shifting forces.
5. Powerful return spring.
6. Flow is specifically adjusted on each valve.
7. Manual operator standard on all valves.

Reset



HOW TO ORDER

44B-xxx-GxxO-xxx

HOW TO ORDER VALVE FOR CIRCUIT BAR MOUNTING

| | |
|-----------------------------|--|
| Port size (see base) | Single operator |
| Valve less base | <input type="radio"/> 44B-LOO-Gxxx-xxx |

SOLENOID OPERATOR

G XX O - X XX

| XX Voltage | X Manual operator | XX Electrical connection |
|--|-------------------------------------|---|
| <input type="radio"/> DA 24VDC (1.0 W) | <input type="radio"/> 1 Non-locking | <input type="radio"/> DJ Plug-in |
| <input type="radio"/> DC 24VDC (1.8 W) | | <input type="radio"/> DT Plug-in with light |
| <input type="radio"/> DD 24VDC (2.5 W) | | <input type="radio"/> DE Plug-in with suppression diode |
| <input type="radio"/> DF 24VDC (4.0 W) | | <input type="radio"/> DV Plug-in with light and suppression diode |
| <input type="radio"/> xx Other Options | | <input type="radio"/> xx Other Options |

ECD044B-00xxx-AOxx

HOW TO ORDER CIRCUIT BAR FOR PRESSURE REGULATORS (to be ordered separately)**

| | |
|------------------|---|
| Port size | Bottom cylinder ports (10,5 mm) |
| M5 | <input type="radio"/> ECD044B-004AD-AO-xx |
| # 10-32 | <input type="radio"/> ECD044B-004AB-AO-xx |

Number of stations (03=3 stations)

Note : clic for valves mounted on base at the factory (add - 9 to the model number).
 clic for multi-pin connector option (9, 15 or 25).

** Pressure Regulators :

PR44A-AOxx

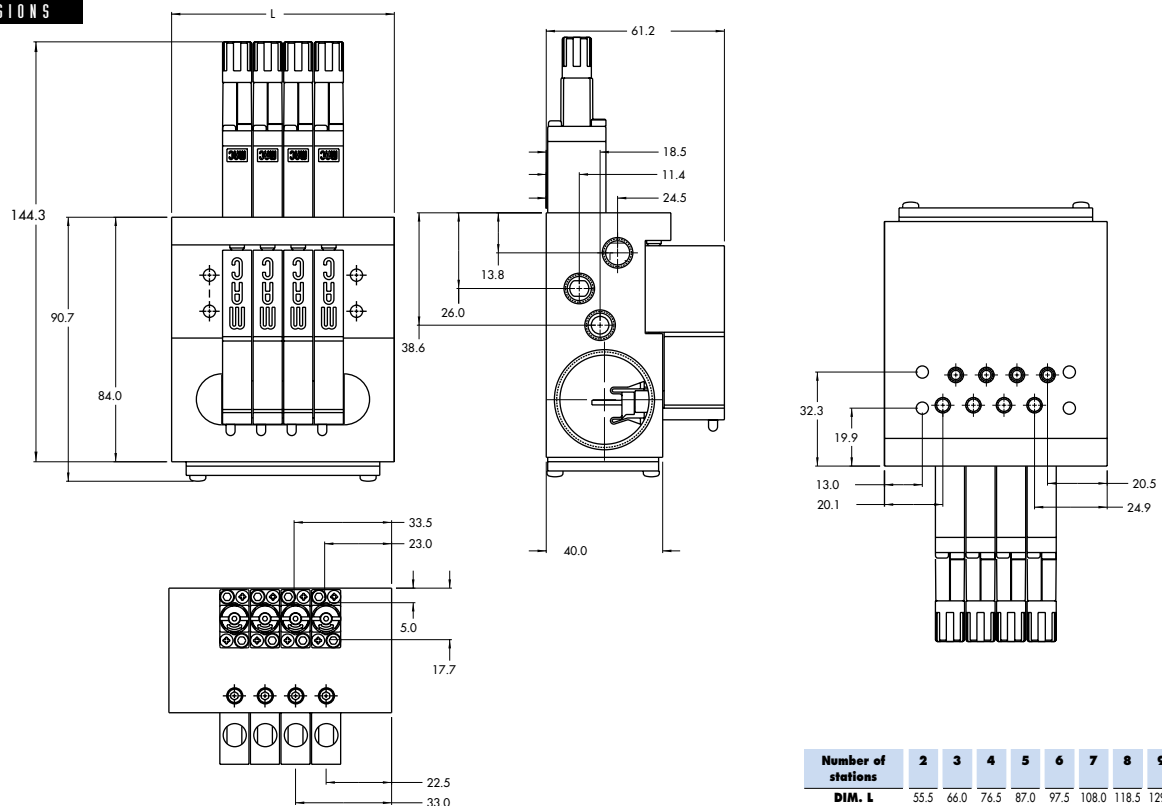
- Y=A (no gage port)
- Y=B (with gage port)
- X=A (0 to 100 PSI)
- X=B (0 to 60 PSI)
- X=C (0 to 40 PSI)
- X=D (0 to 15 PSI)

**TECHNICAL
DATA**

| | |
|-----------------------------------|---|
| Fluid : | Compressed air, vacuum, inert gases |
| Pressure range : | Vacuum to 120 PSI |
| Lubrication : | Not required, if used select a medium aniline point lubricant (between 180°F and 210°F) |
| Filtration : | 40 µ |
| Temperature range : | 0°F to 120°F (-18°C to +50°C) |
| Orifice : | 1.8 mm |
| Flow (at 6 bar, ΔP=1bar) : | 4 W : 0.09 C _v , 2.5 W : 0.08 C _v , 1.8 W : 0.06 C _v , 1.0 W : 0.05 C _v |
| Coil : | General purpose class A, continuous duty, encapsulated |
| Voltage range : | -15% to +10% of nominal voltage |
| Power : | 4 W - 2.5 W - 1.8 W - 1.0 W |
| Response times : | Energize : 4 ms |
| (with 4 W coil) | De-energize : 1.5 ms |

- Note :
- Valve and coil are not interchangeable.
 - Pressure range regulators : (0-100 PSI).
- Spare parts :
- Valve mounting kit : N-44001-03. • Blanking plate : M-44003. • Blanking plate regulator: N-44003.
 - Base wire Plug-in protector : 24180.
- Options :
- Isolation of inlet and/or exhaust. • BSPP Threads.

DIMENSIONS



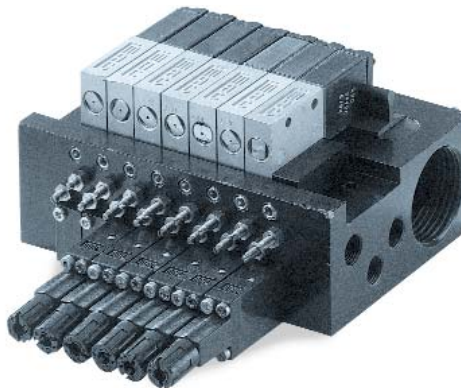
Consult "Precautions" before use, installation or service of MAC Valves.

| | | | |
|-----------------------|--------------------|--------------------------|---------------------------------|
| Function | Port size | Flow [Max] | Circuit bar mounting |
| 5/2, 3/2 NO-NC | M5 - #10-32 | 0.07C_v | plug-in with Pr. Reg. and F. C. |

OPERATIONAL BENEFITS

1. 10 mm valve, direct solenoid operated.
2. Balanced poppet, immune to variations of pressure.
3. Short stroke with high flow.
4. The patented solenoid develops high shifting forces.
5. Powerful return spring.
6. Flow is specifically adjusted on each valve.
7. Manual operator standard on all valves.

Reset



HOW TO ORDER

44B-xxx-GxxO-xxx

HOW TO ORDER VALVE FOR CIRCUIT BAR MOUNTING

| | |
|-----------------------------|--|
| Port size (see base) | Single operator |
| Valve less base |  <input type="radio"/> 44B-MOO-GxxO-xxx |

SOLENOID OPERATOR

| G XX O- X XX | | |
|---|--|--|
| XX Voltage | X Manual operator | XX Electrical connection |
| <input type="radio"/> DA 24VDC (1.0 W) | <input type="radio"/> 1 Non-locking | <input type="radio"/> DJ Plug-in |
| <input type="radio"/> DC 24VDC (1.8 W) | | <input type="radio"/> DT Plug-in with light |
| <input type="radio"/> DD 24VDC (2.5 W) | | <input type="radio"/> DE Plug-in with suppression diode |
| <input type="radio"/> DF 24VDC (4.0 W) | | <input type="radio"/> DV Plug-in with light and suppression diode |
| <input type="radio"/> xx Other Options | | <input type="radio"/> xx Other Options |

ECD044B-00xxx-AOxx

HOW TO ORDER CIRCUIT BAR WITH FLOW CONTROLS AND PRESSURE REGULATORS (pressure regulators to be ordered separately)**

| | |
|------------------|---|
| Port size | Bottom cylinder ports (10,5 mm) |
| M5 | <input type="radio"/> ECD044B-007AD-AO-xx |
| # 10-32 | <input type="radio"/> ECD044B-007AB-AO-xx |

Number of stations (03=3 stations)
 Note : clic for valves mounted on base at the factory (add - 9 to the model number).
 clic for multi-pin connector option (9, 15 or 25).

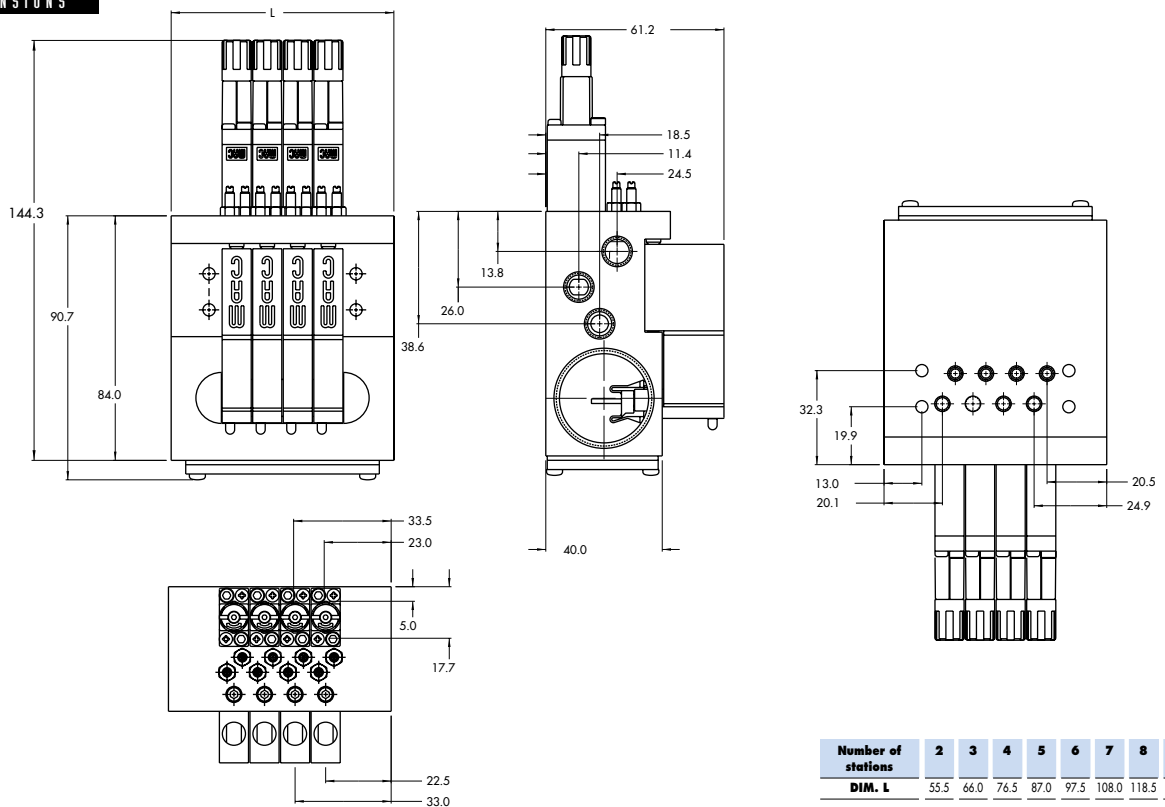
- ** Pressure Regulators :**
- PR44A-AOxx**
- Y=A (no gage port)
 - Y=B (with gage port)
 - X=A (0 to 100 PSI)
 - X=B (0 to 60 PSI)
 - X=C (0 to 40 PSI)
 - X=D (0 to 15 PSI)

**TECHNICAL
DATA**

| | |
|-----------------------------------|---|
| Fluid : | Compressed air, vacuum, inert gases |
| Pressure range : | Vacuum to 120 PSI |
| Lubrication : | Not required, if used select a medium aniline point lubricant (between 180°F and 210°F) |
| Filtration : | 40 µ |
| Temperature range : | 0°F to 120°F (-18°C to +50°C) |
| Orifice : | 1.8 mm |
| Flow (at 6 bar, ΔP=1bar) : | 4 W : 0.07 C _v , 2.5 W : 0.06 C _v , 1.8 W : 0.06 C _v , 1.0 W : 0.05 C _v |
| Coil : | General purpose class A, continuous duty, encapsulated |
| Voltage range : | -15% to +10% of nominal voltage |
| Power : | 4 W - 2.5 W - 1.8 W - 1.0 W |
| Response times : | Energize : 4 ms |
| (with 4 W coil) | De-energize : 1.5 ms |

- Note :
- Valve and coil are not interchangeable.
 - Pressure range regulators : (0-100 PSI).
- Spare parts :
- Valve mounting kit : N-44001-03. • Blanking plate : M-44003. • Blanking plate regulator: N-44003.
 - Base wire Plug-in protector : 24180.
- Options :
- Isolation of inlet and/or exhaust. • BSPP Threads.

DIMENSIONS



Consult "Precautions" before use, installation or service of MAC Valves.

| | | | |
|-----------------------|--------------------|--------------------------|-----------------------------|
| Function | Port size | Flow [Max] | Circuit bar mounting |
| 5/2, 3/2 NO-NC | M5 - #10-32 | 0.09C_v | add-on style plug-in |

OPERATIONAL BENEFITS

1. 10 mm valve, direct solenoid operated.
2. Balanced poppet, immune to variations of pressure.
3. Short stroke with high flow.
4. The patented solenoid develops high shifting forces.
5. Powerful return spring.
6. Flow is specifically adjusted on each valve.
7. Manual operator standard on all valves.



HOW TO ORDER

44B-xxx-GxxO-xxx

HOW TO ORDER VALVE FOR CIRCUIT BAR MOUNTING

| Port size (see base) | Single operator |
|----------------------|--|
| Valve less base |  <input type="radio"/> 44B-LOO-GxxO-xxx |

SOLENOID OPERATOR >

G XX O- X XX*

| XX Voltage | X Manual operator | XX Electrical connection |
|--|-------------------------------------|---|
| <input type="radio"/> DA 24VDC (1.0 W) | <input type="radio"/> 1 Non-locking | <input type="radio"/> DJ Plug-in |
| <input type="radio"/> DC 24VDC (1.8 W) | | <input type="radio"/> DT Plug-in with light |
| <input type="radio"/> DD 24VDC (2.5 W) | | <input type="radio"/> DE Plug-in with suppression diode |
| <input type="radio"/> DF 24VDC (4.0 W) | | <input type="radio"/> DV Plug-in with light and suppression diode |
| <input type="radio"/> xx Other Options | | <input type="radio"/> xx Other Options |

ECD044B-00xxx-AOxx

HOW TO ORDER CIRCUIT BAR

| Port size | Side cylinder ports (10.5 mm) | Bottom cylinder ports (10.5 mm) |
|----------------|--|--|
| M5 | <input type="radio"/> ECD044B-001BD-AOxx | <input type="radio"/> ECD044B-002BD-AOxx |
| # 10-32 | <input type="radio"/> ECD044B-001BB-AOxx | <input type="radio"/> ECD044B-002BB-AOxx |

Number of stations (03=3 stations)

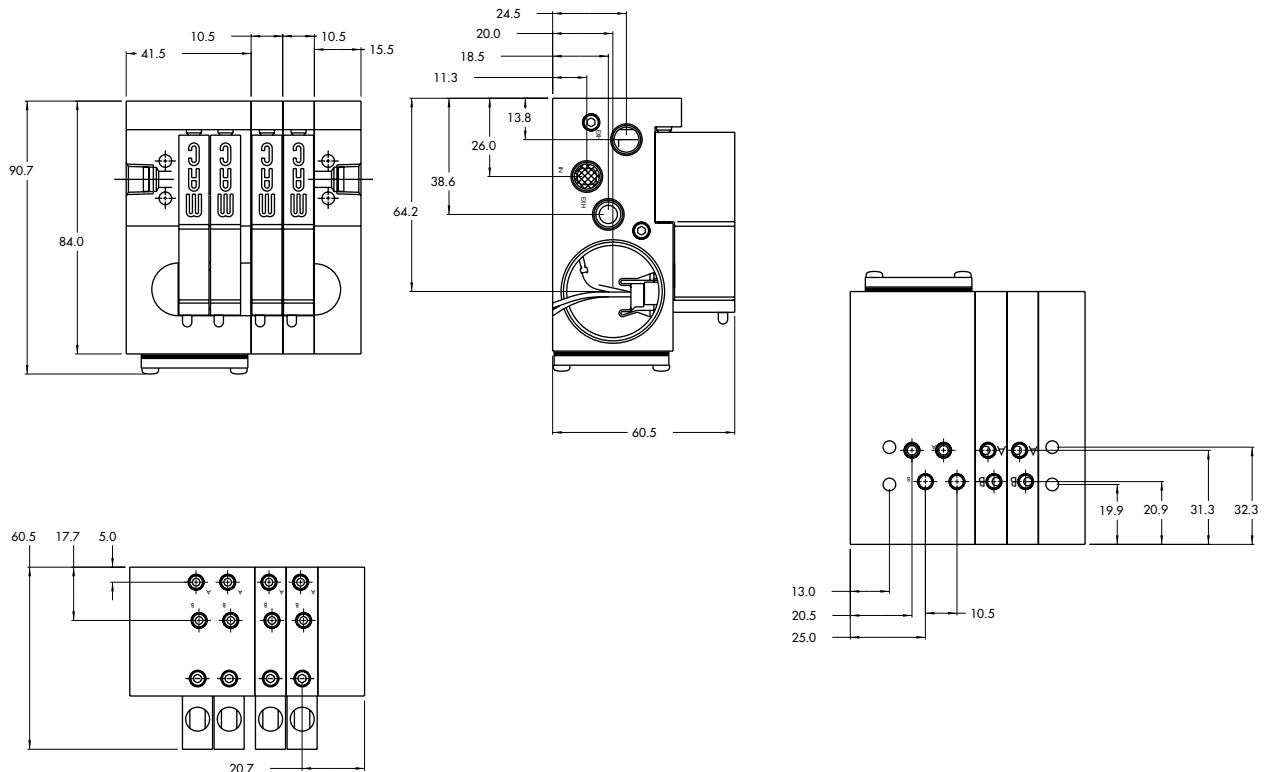
Note : clic for valves mounted on base at the factory (add - 9 to the model number).
 clic for multi-pin connector option (9, 15 or 25).
 add-a-unit stations may be added to above bars.

**TECHNICAL
DATA**

| | |
|-----------------------------------|---|
| Fluid : | Compressed air, vacuum, inert gases |
| Pressure range : | Vacuum to 120 PSI |
| Lubrication : | Not required, if used select a medium aniline point lubricant (between 180°F and 210°F) |
| Filtration : | 40 µ |
| Temperature range : | 0°F to 120°F (-18°C to +50°C) |
| Orifice : | 1.8 mm |
| Flow (at 6 bar, ΔP=1bar) : | 4 W : 0.09 C _v , 2.5 W : 0.08 C _v , 1.8 W : 0.06 C _v , 1.0 W : 0.05 C _v |
| Coil : | General purpose class A, continuous duty, encapsulated |
| Voltage range : | -15% to +10% of nominal voltage |
| Power : | 4 W - 2.5 W - 1.8 W - 1.0 W |
| Response times : | Energize : 4 ms |
| (with 4 W coil) | De-energize : 1.5 ms |

- Note : • Valve and coil are not interchangeable.
- Spare parts : • Valve mounting kit : N-44001-03. • Blanking plate : M-44003.
- Options : • Isolation of inlet and/or exhaust. • BSPP Threads.

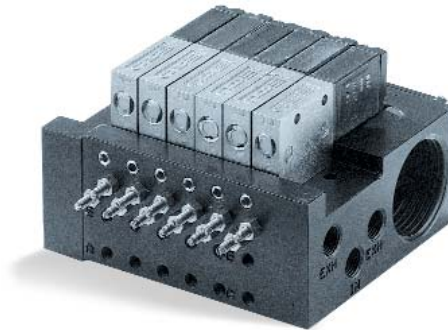
DIMENSIONS



| | | | |
|-----------------------|--------------------|--------------------------|---------------------------------|
| Function | Port size | Flow [Max] | Circuit bar mounting |
| 5/2, 3/2 NO-NC | M5 - #10-32 | 0.08C_v | add-on style plug-in with F. C. |

OPERATIONAL BENEFITS

1. 10 mm valve, direct solenoid operated.
2. Balanced poppet, immune to variations of pressure.
3. Short stroke with high flow.
4. The patented solenoid develops high shifting forces.
5. Powerful return spring.
6. Flow is specifically adjusted on each valve.
7. Manual operator standard on all valves.



HOW TO ORDER

44B-xxx-GxxO-xxx

HOW TO ORDER VALVE FOR CIRCUIT BAR MOUNTING

| Port size (see base) | Single operator |
|----------------------|--|
| Valve less base | <input type="radio"/> 44B-MOO-GxxO-xxx |

SOLENOID OPERATOR >

G **XX** O- X **XX** *

| XX Voltage | X Manual operator | XX Electrical connection |
|--|-------------------------------------|---|
| <input type="radio"/> DA 24VDC (1.0 W) | <input type="radio"/> 1 Non-locking | <input type="radio"/> DJ Plug-in |
| <input type="radio"/> DC 24VDC (1.8 W) | | <input type="radio"/> DT Plug-in with light |
| <input type="radio"/> DD 24VDC (2.5 W) | | <input type="radio"/> DE Plug-in with suppression diode |
| <input type="radio"/> DF 24VDC (4.0 W) | | <input type="radio"/> DV Plug-in with light and suppression diode |
| <input type="radio"/> xx Other Options | | <input type="radio"/> xx Other Options |

ECD044B-00xxx-AOxx

HOW TO ORDER CIRCUIT BAR WITH FLOW CONTROLS

| Port size | Side cylinder ports (10.5 mm) | Bottom cylinder ports (10.5 mm) |
|----------------|--|--|
| M5 | <input type="radio"/> ECD044B-005BD-AOxx | <input type="radio"/> ECD044B-006BD-AOxx |
| # 10-32 | <input type="radio"/> ECD044B-005BB-AOxx | <input type="radio"/> ECD044B-006BB-AOxx |

Number of stations (03=3 stations)

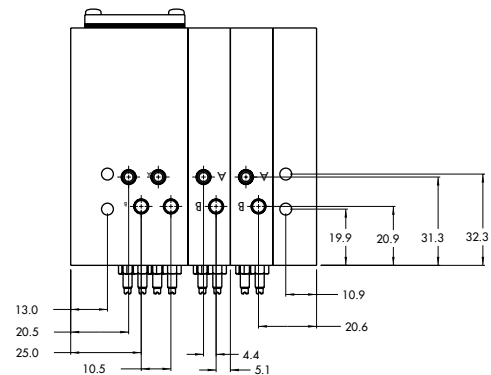
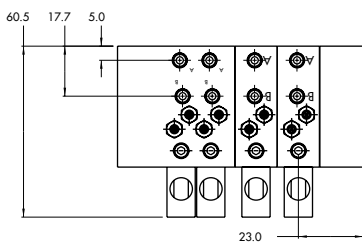
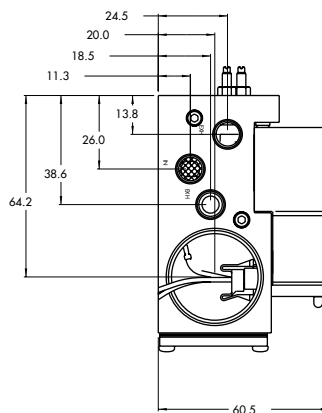
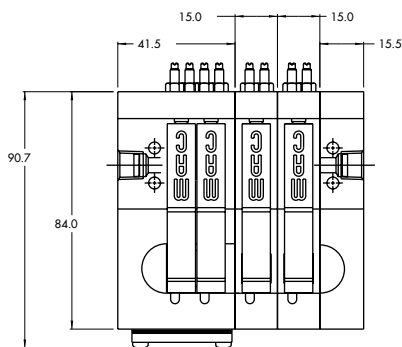
Note : clic for valves mounted on base at the factory (add - 9 to the model number).
 clic for multi-pin connector option (9, 15 or 25).
 add-a-unit stations may be added to above bars.

**TECHNICAL
DATA**

| | |
|-----------------------------------|---|
| Fluid : | Compressed air, vacuum, inert gases |
| Pressure range : | Vacuum to 120 PSI |
| Lubrication : | Not required, if used select a medium aniline point lubricant (between 180°F and 210°F) |
| Filtration : | 40 µ |
| Temperature range : | 0°F to 120°F (-18°C to +50°C) |
| Orifice : | 1.8 mm |
| Flow (at 6 bar, ΔP=1bar) : | 4 W : 0.09 C _v , 2.5 W : 0.08 C _v , 1.8 W : 0.06 C _v , 1.0 W : 0.05 C _v |
| Coil : | General purpose class A, continuous duty, encapsulated |
| Voltage range : | -15% to +10% of nominal voltage |
| Power : | 4 W - 2.5 W - 1.8 W - 1.0 W |
| Response times : | Energize : 4 ms |
| (with 4 W coil) | De-energize : 1.5 ms |

- Note :
 - Valve and coil are not interchangeable.
- Spare parts :
 - Valve mounting kit : N-44001-03. • Blanking plate : M-44003. • Flow control needle (x2): N-44002. • Base wire Plug-in protector : 24180.
- Options :
 - Isolation of inlet and/or exhaust. • BSPP Threads.

DIMENSIONS



| | | | |
|-----------------------|--------------------|--------------------------|------------------------------------|
| Function | Port size | Flow [Max] | Circuit bar mounting |
| 5/2, 3/2 NO-NC | M5 - #10-32 | 0.08C_v | add-on style plug-in with Pr. Reg. |

OPERATIONAL BENEFITS

1. 10 mm valve, direct solenoid operated.
2. Balanced poppet, immune to variations of pressure.
3. Short stroke with high flow.
4. The patented solenoid develops high shifting forces.
5. Powerful return spring.
6. Flow is specifically adjusted on each valve.
7. Manual operator standard on all valves.

Reset

HOW TO ORDER

44B-xxx-GxxO-xxx

HOW TO ORDER VALVE FOR CIRCUIT BAR MOUNTING

| | |
|-----------------------------|--|
| Port size (see base) | Single operator |
| Valve less base |  <input type="radio"/> 44B-LOO-GxxO-xxx |

SOLENOID OPERATOR >

| | |
|---|--|
| G XX O - X XX* | |
| XX Voltage | X Manual operator |
| <input type="radio"/> DA 24VDC (1.0 W) <input type="radio"/> DC 24VDC (1.8 W) <input type="radio"/> DD 24VDC (2.5 W) <input type="radio"/> DF 24VDC (4.0 W) <input type="radio"/> xx Other Options | <input type="radio"/> 1 Non-locking |
| | XX Electrical connection |
| | <input type="radio"/> DJ Plug-in <input type="radio"/> DT Plug-in with light <input type="radio"/> DE Plug-in with suppression diode <input type="radio"/> DV Plug-in with light and suppression diode <input type="radio"/> xx Other Options |

ECD044B-00xxx-AOxx

HOW TO ORDER CIRCUIT BAR FOR PRESSURE REGULATORS** (to be ordered separately)

| | |
|------------------|--|
| Port size | Bottom cylinder ports (10,5 mm) |
| M5 | <input type="radio"/> ECD044B-004BD-AO-xx <input type="radio"/> ECD044B-004BB-AO-xx |
| # 10-32 | |

Number of stations (03=3 stations)

Note : clic for valves mounted on base at the factory (add - 9 to the model number).
 clic for multi-pin connector option (9, 15 or 25).
 add-a-unit stations may be added to above bars.

** Pressure Regulators :

PR44A-AOxx

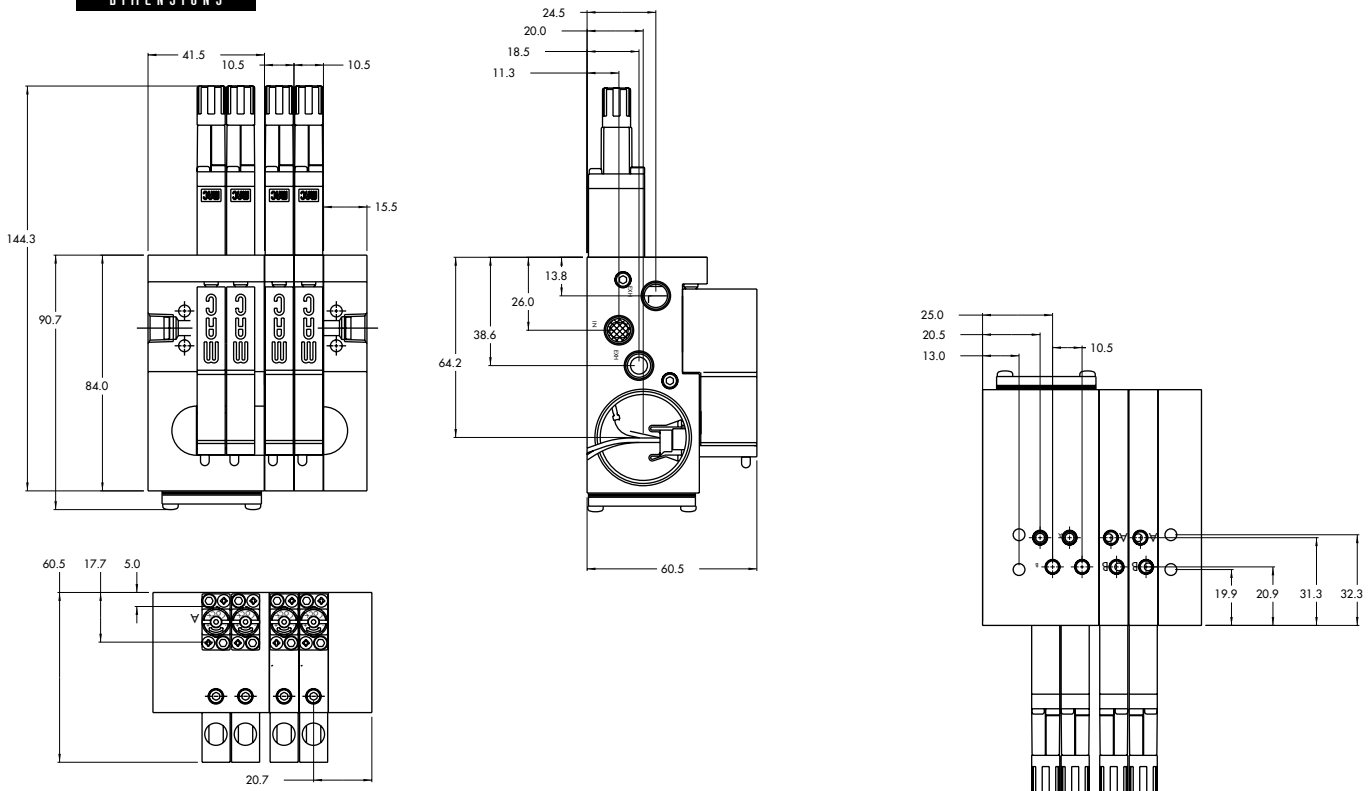
- Y=A (no gage port)
- Y=B (with gage port)
- X=A (0 to 100 PSI)
- X=B (0 to 60 PSI)
- X=C (0 to 40 PSI)
- X=D (0 to 15 PSI)

**T E C H N I C A L
D A T A**

| | |
|-----------------------------------|---|
| Fluid : | Compressed air, vacuum, inert gases |
| Pressure range : | Vacuum to 120 PSI |
| Lubrication : | Not required, if used select a medium aniline point lubricant (between 180°F and 210°F) |
| Filtration : | 40 µ |
| Temperature range : | 0°F to 120°F (-18°C to +50°C) |
| Orifice : | 1.8 mm |
| Flow (at 6 bar, ΔP=1bar) : | 4 W : 0.09 C _v , 2.5 W : 0.08 C _v , 1.8 W : 0.06 C _v , 1.0 W : 0.05 C _v |
| Coil : | General purpose class A, continuous duty, encapsulated |
| Voltage range : | -15% to +10% of nominal voltage |
| Power : | 4 W - 2.5 W - 1.8 W - 1.0 W |
| Response times : | Energize : 4 ms |
| (with 4 W coil) | De-energize : 1.5 ms |

- Note :
- Valve and coil are not interchangeable.
 - Pressure range regulators : (0-100 PSI).
- Spare parts :
- Valve mounting kit : N-44001-03. • Blanking plate : M-44003. • Blanking plate regulator: N-44003.
 - Base wire Plug-in protector : 24180.
- Options :
- Isolation of inlet and/or exhaust. • BSPP Threads.

D I M E N S I O N S

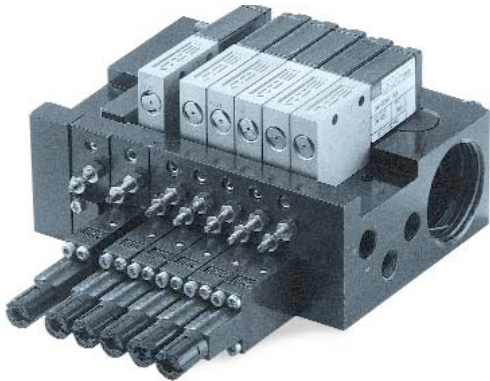


| | | | |
|-----------------------|--------------------|--------------------------|--|
| Function | Port size | Flow [Max] | Circuit bar mounting |
| 5/2, 3/2 NO-NC | M5 - #10-32 | 0.07C_v | add-on style plug-in with Pr. Reg. and F. C. |

OPERATIONAL BENEFITS

1. 10 mm valve, direct solenoid operated.
2. Balanced poppet, immune to variations of pressure.
3. Short stroke with high flow.
4. The patented solenoid develops high shifting forces.
5. Powerful return spring.
6. Flow is specifically adjusted on each valve.
7. Manual operator standard on all valves.

Reset



HOW TO ORDER

44B-xxx-GxxO-xxx

HOW TO ORDER VALVE FOR CIRCUIT BAR MOUNTING

| | |
|-----------------------------|--|
| Port size (see base) | Single operator |
| Valve less base | <input type="radio"/> 44B-MOO-GxxO-xxx |

SOLENOID OPERATOR

G XX O- X XX*

| XX Voltage | X Manual operator | XX Electrical connection |
|--|-------------------------------------|---|
| <input type="radio"/> DA 24VDC (1.0 W) | <input type="radio"/> 1 Non-locking | <input type="radio"/> DJ Plug-in |
| <input type="radio"/> DC 24VDC (1.8 W) | | <input type="radio"/> DT Plug-in with light |
| <input type="radio"/> DD 24VDC (2.5 W) | | <input type="radio"/> DE Plug-in with suppression diode |
| <input type="radio"/> DF 24VDC (4.0 W) | | <input type="radio"/> DV Plug-in with light and suppression diode |
| <input type="radio"/> xx Other Options | | <input type="radio"/> xx Other Options |

ECD044B-00xxx-AOxx

HOW TO ORDER CIRCUIT BAR WITH FLOW CONTROLS AND PRESSURE REGULATORS** (pressure regulators to be ordered separately)

| | |
|------------------|---|
| Port size | Bottom cylinder ports (10,5 mm) |
| M5 | <input type="radio"/> ECD044B-007BD-AO-xx |
| # 10-32 | <input type="radio"/> ECD044B-007BB-AO-xx |

Number of stations (03=3 stations)

Note : clic for valves mounted on base at the factory (add - 9 to the model number).
 clic for multi-pin connector option (9, 15 or 25).
 add-a-unit stations may be added to above bars.

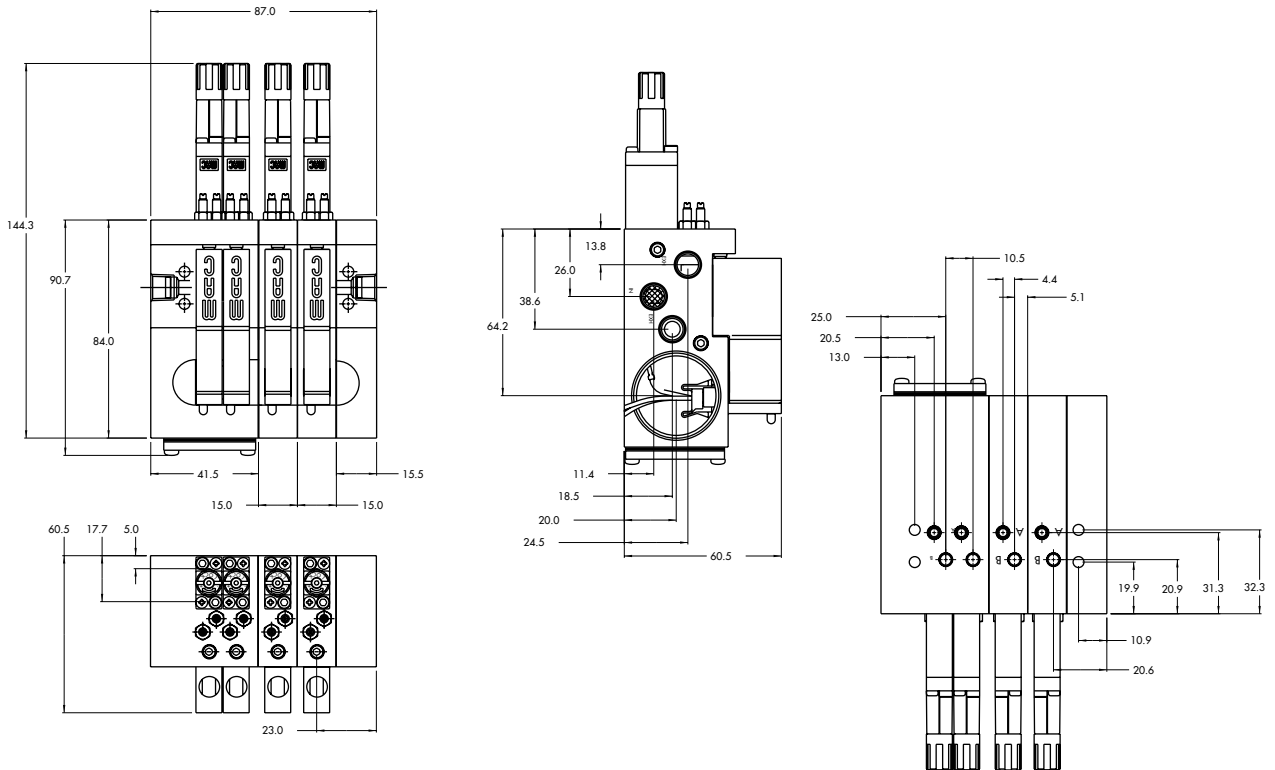
- ** Pressure Regulators :**
- PR44A-AOxx**
- Y=A (no gage port)
 - Y=B (with gage port)
 - X=A (0 to 100 PSI)
 - X=B (0 to 60 PSI)
 - X=C (0 to 40 PSI)
 - X=D (0 to 15 PSI)

TECHNICAL DATA

| | |
|-----------------------------------|---|
| Fluid : | Compressed air, vacuum, inert gases |
| Pressure range : | Vacuum to 120 PSI |
| Lubrication : | Not required, if used select a medium aniline point lubricant (between 180°F and 210°F) |
| Filtration : | 40 µ |
| Temperature range : | 0°F to 120°F (-18°C to +50°C) |
| Orifice : | 1.8 mm |
| Flow (at 6 bar, ΔP=1bar) : | 4 W : 0.07 C _v , 2.5 W : 0.06 C _v , 1.8 W : 0.06 C _v , 1.0 W : 0.05 C _v |
| Coil : | General purpose class A, continuous duty, encapsulated |
| Voltage range : | -15% to +10% of nominal voltage |
| Power : | 4 W - 2.5 W - 1.8 W - 1.0 W |
| Response times : | Energize : 4 ms |
| (with 4 W coil) | De-energize : 1.5 ms |

- Note :
 - Valve and coil are not interchangeable.
 - Pressure range regulators : (0-100 PSI).
- Spare parts :
 - Valve mounting kit : N-44001-03. • Blanking plate : M-44003. • Blanking plate regulator: N-44003.
 - Base wire Plug-in protector : 24180.
- Options :
 - Isolation of inlet and/or exhaust. • BSPP Threads.

DIMENSIONS





Direct solenoid and solenoid pilot operated valves

| | | | |
|-----------------|--------------------|--------------------------|-----------------------------|
| Function | Port size | Flow [Max] | Circuit bar mounting |
| 5/2 | M5 - #10-32 | 0.09C_v | plug-in add-a-unit stations |

OPERATIONAL BENEFITS

1. 10 mm valve, direct solenoid operated.
2. Balanced poppet, immune to variations of pressure.
3. Short stroke with high flow.
4. The patented solenoid develops high shifting forces.
5. Powerful return spring.
6. Flow is specifically adjusted on each valve.
7. Manual operator standard on all valves.



HOW TO ORDER

44B-xxx-GxxO-xxx

HOW TO ORDER VALVE FOR CIRCUIT BAR MOUNTING

| | |
|-----------------------------|--|
| Port size (see base) | Single operator |
| Valve less base | <input type="radio"/> 44B-LOO-GxxO-xxx |

SOLENOID OPERATOR >

G XX O- X XX*

| XX Voltage | X Manual operator | XX Electrical connection |
|--|-------------------------------------|---|
| <input type="radio"/> DA 24VDC (1.0 W) | <input type="radio"/> 1 Non-locking | <input type="radio"/> DJ Plug-in |
| <input type="radio"/> DC 24VDC (1.8 W) | | <input type="radio"/> DT Plug-in with light |
| <input type="radio"/> DD 24VDC (2.5 W) | | <input type="radio"/> DE Plug-in with suppression diode |
| <input type="radio"/> DF 24VDC (4.0 W) | | <input type="radio"/> DV Plug-in with light and suppression diode |
| <input type="radio"/> xx Other Options | | <input type="radio"/> xx Other Options |

ECD044B-00xxx-AOxx

HOW TO ORDER CIRCUIT BAR

| Port size | Side cylinder ports | Bottom cylinder ports |
|----------------|--|--|
| M5 | <input type="radio"/> ECD044B-001CD-AOxx | <input type="radio"/> ECD044B-002CD-AOxx |
| # 10-32 | <input type="radio"/> ECD044B-001CB-AOxx | <input type="radio"/> ECD044B-002CB-AOxx |

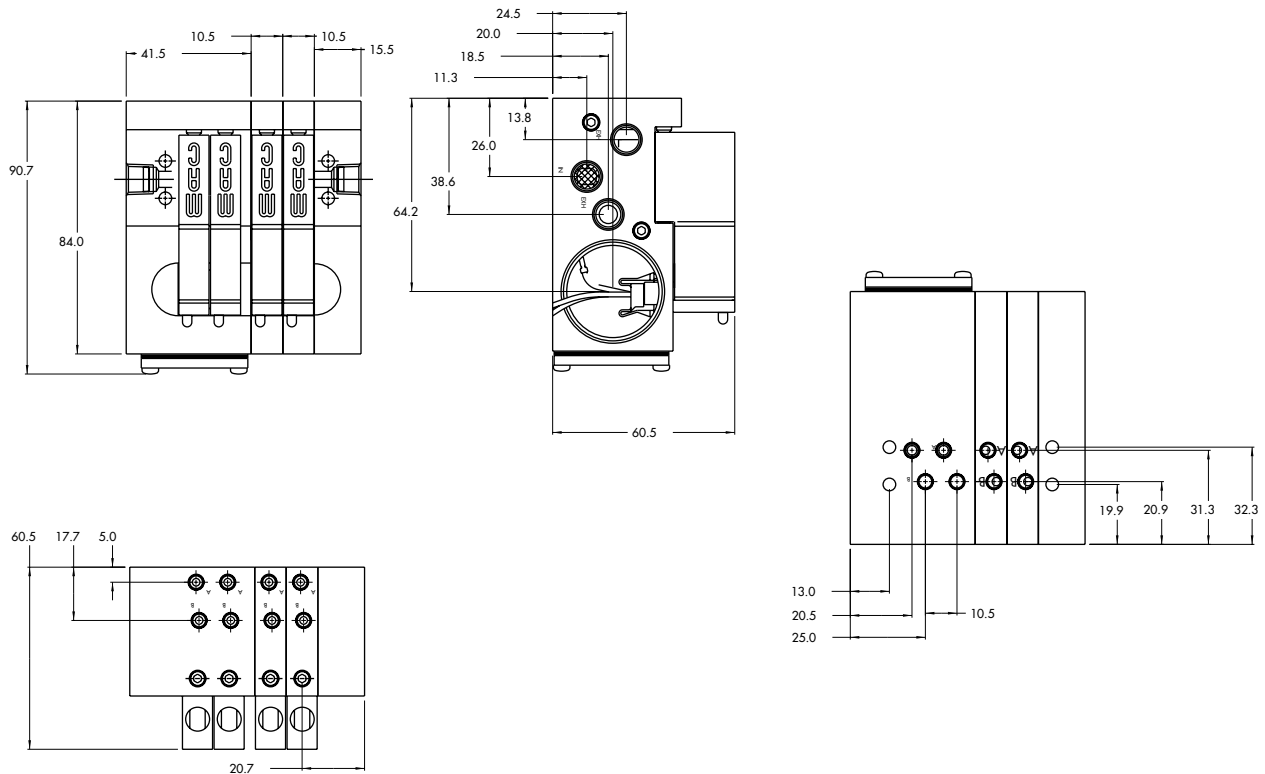
Number of stations (03=3 stations) - Maximum length is 4 stations
 Note: clic for valves mounted on base at the factory (add - 9 to the model number).
 when add-a-unit stations are added to bars with a multi-pin connector,
 MOD. SD03 should be included with add-a-unit model number.

**TECHNICAL
D A T A**

| | |
|-----------------------------------|---|
| Fluid : | Compressed air, vacuum, inert gases |
| Pressure range : | Vacuum to 120 PSI |
| Lubrication : | Not required, if used select a medium aniline point lubricant (between 180°F and 210°F) |
| Filtration : | 40 µ |
| Temperature range : | 0°F to 120°F (-18°C to +50°C) |
| Orifice : | 1.8 mm |
| Flow (at 6 bar, ΔP=1bar) : | 4 W : 0.09 C _v , 2.5 W : 0.08 C _v , 1.8 W : 0.06 C _v , 1.0 W : 0.05 C _v |
| Coil : | General purpose class A, continuous duty, encapsulated |
| Voltage range : | -15% to +10% of nominal voltage |
| Power : | 4 W - 2.5 W - 1.8 W - 1.0 W |
| Response times : | Energize : 4 ms |
| (with 4 W coil) | De-energize : 1.5 ms |

- Note : • Valve and coil are not interchangeable.
- Spare parts : • Valve mounting kit : N-44001-03. • Blanking plate : M-44003.
- Options : • Isolation of inlet and/or exhaust. • BSPP Threads.

DIMENSIONS



| Function | Port size | Flow [Max] | Circuit bar mounting |
|------------|--------------------|--------------------------|--|
| 5/2 | M5 - #10-32 | 0.08C_v | plug-in add-a-unit stations with F. C. |

OPERATIONAL BENEFITS

1. 10 mm valve, direct solenoid operated.
2. Balanced poppet, immune to variations of pressure.
3. Short stroke with high flow.
4. The patented solenoid develops high shifting forces.
5. Powerful return spring.
6. Flow is specifically adjusted on each valve.
7. Manual operator standard on all valves.

Reset

HOW TO ORDER

44B-xxx-GxxO-xxx

HOW TO ORDER VALVE FOR CIRCUIT BAR MOUNTING

| Port size (see base) | Single operator |
|-------------------------|--|
| Valve less base |  <input type="radio"/> 44B-MOO-GxxO-xxx |

SOLENOID OPERATOR >

G XX O- XX

| XX Voltage | X Manual operator | XX Electrical connection |
|--|-------------------------------------|---|
| <input type="radio"/> DA 24VDC (1.0 W) | <input type="radio"/> 1 Non-locking | <input type="radio"/> DJ Plug-in |
| <input type="radio"/> DC 24VDC (1.8 W) | | <input type="radio"/> DT Plug-in with light |
| <input type="radio"/> DD 24VDC (2.5 W) | | <input type="radio"/> DE Plug-in with suppression diode |
| <input type="radio"/> DF 24VDC (4.0 W) | | <input type="radio"/> DV Plug-in with light and suppression diode |
| <input type="radio"/> xx Other Options | | <input type="radio"/> xx Other Options |

ECD044B-00xxx-AOxx

HOW TO ORDER CIRCUIT BAR WITH FLOW CONTROLS

| Port size | Side cylinder ports | Bottom cylinder ports |
|----------------|--|--|
| M5 | <input type="radio"/> ECD044B-005CD-AOxx | <input type="radio"/> ECD044B-006CD-AOxx |
| # 10-32 | <input type="radio"/> ECD044B-005CB-AOxx | <input type="radio"/> ECD044B-006CB-AOxx |

Number of stations (03=3 stations) - Maximum length is 4 stations
 Note : clic for valves mounted on base at the factory (add - 9 to the model number).
 when add-a-unit stations are added to bars with a multi-pin connector,
 MOD. SD03 should be included with add-a-unit model number.

**TECHNICAL
DATA**

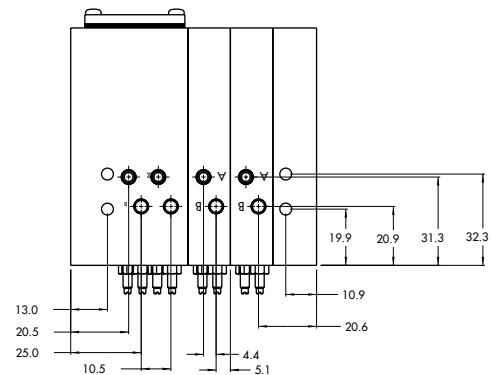
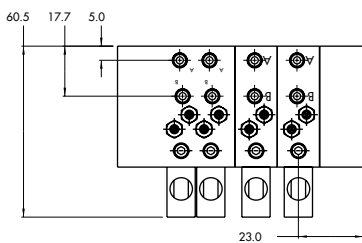
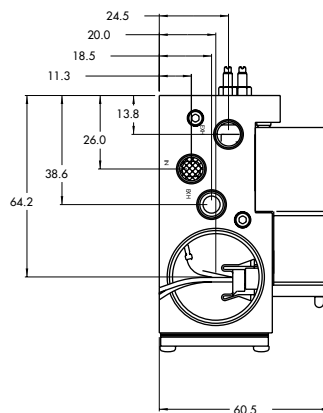
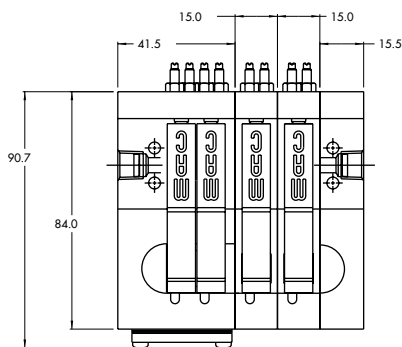
| | |
|-----------------------------------|---|
| Fluid : | Compressed air, vacuum, inert gases |
| Pressure range : | Vacuum to 120 PSI |
| Lubrication : | Not required, if used select a medium aniline point lubricant (between 180°F and 210°F) |
| Filtration : | 40 µ |
| Temperature range : | 0°F to 120°F (-18°C to +50°C) |
| Orifice : | 1.8 mm |
| Flow (at 6 bar, ΔP=1bar) : | 4 W : 0.09 C _v , 2.5 W : 0.08 C _v , 1.8 W : 0.06 C _v , 1.0 W : 0.05 C _v |
| Coil : | General purpose class A, continuous duty, encapsulated |
| Voltage range : | -15% to +10% of nominal voltage |
| Power : | 4 W - 2.5 W - 1.8 W - 1.0 W |
| Response times : | Energize : 4 ms |
| (with 4 W coil) | De-energize : 1.5 ms |

Note : • Valve and coil are not interchangeable.

Spare parts : • Valve mounting kit : N-44001-03. • Blanking plate : M-44003. • Flow control needle (x2): N-44002.
• Base wire Plug-in protector : 24180.

Options : • Isolation of inlet and/or exhaust. • BSPP Threads.

DIMENSIONS



| | | | |
|-----------------|--------------------|--------------------------|--|
| Function | Port size | Flow [Max] | Circuit bar mounting |
| 5/2 | M5 - #10-32 | 0.08C_v | plug-in add-a-unit stations with Pr. Reg. |

OPERATIONAL BENEFITS

1. 10 mm valve, direct solenoid operated.
2. Balanced poppet, immune to variations of pressure.
3. Short stroke with high flow.
4. The patented solenoid develops high shifting forces.
5. Powerful return spring.
6. Flow is specifically adjusted on each valve.
7. Manual operator standard on all valves.

Reset

HOW TO ORDER

44B-xxx-GxxO-xxx

HOW TO ORDER VALVE FOR CIRCUIT BAR MOUNTING

| | |
|---------------------------------|--|
| Port size (see base) | Single operator |
| Valve less base |  <input type="radio"/> 44B-LOO-GxxO-xxx |

SOLENOID OPERATOR >

G XX O - X XX *

| XX Voltage | X Manual operator | XX Electrical connection |
|--|-------------------------------------|---|
| <input type="radio"/> DA 24VDC (1.0 W) | <input type="radio"/> 1 Non-locking | <input type="radio"/> DJ Plug-in |
| <input type="radio"/> DC 24VDC (1.8 W) | | <input type="radio"/> DT Plug-in with light |
| <input type="radio"/> DD 24VDC (2.5 W) | | <input type="radio"/> DE Plug-in with suppression diode |
| <input type="radio"/> DF 24VDC (4.0 W) | | <input type="radio"/> DV Plug-in with light and suppression diode |
| <input type="radio"/> xx Other Options | | <input type="radio"/> xx Other Options |

ECD044B-00xxx-AOxx

HOW TO ORDER CIRCUIT BAR FOR PRESSURE REGULATORS ** (to be ordered separately)

| | |
|------------------|--|
| Port size | Bottom cylinder ports (10,5 mm) |
| M5 | <input type="radio"/> ECD044B-004CD-AOxx |
| # 10-32 | <input type="radio"/> ECD044B-004CB-AOxx |

Number of stations (03=3 stations) - Maximum length is 4 stations
 Note: clic for valves mounted on base at the factory (add - 9 to the model number).
 when add-a-unit stations are added to bars with a multi-pin connector,
 MOD. SD03 should be included with add-a-unit model number.

** Regulator ordered separately-see below :

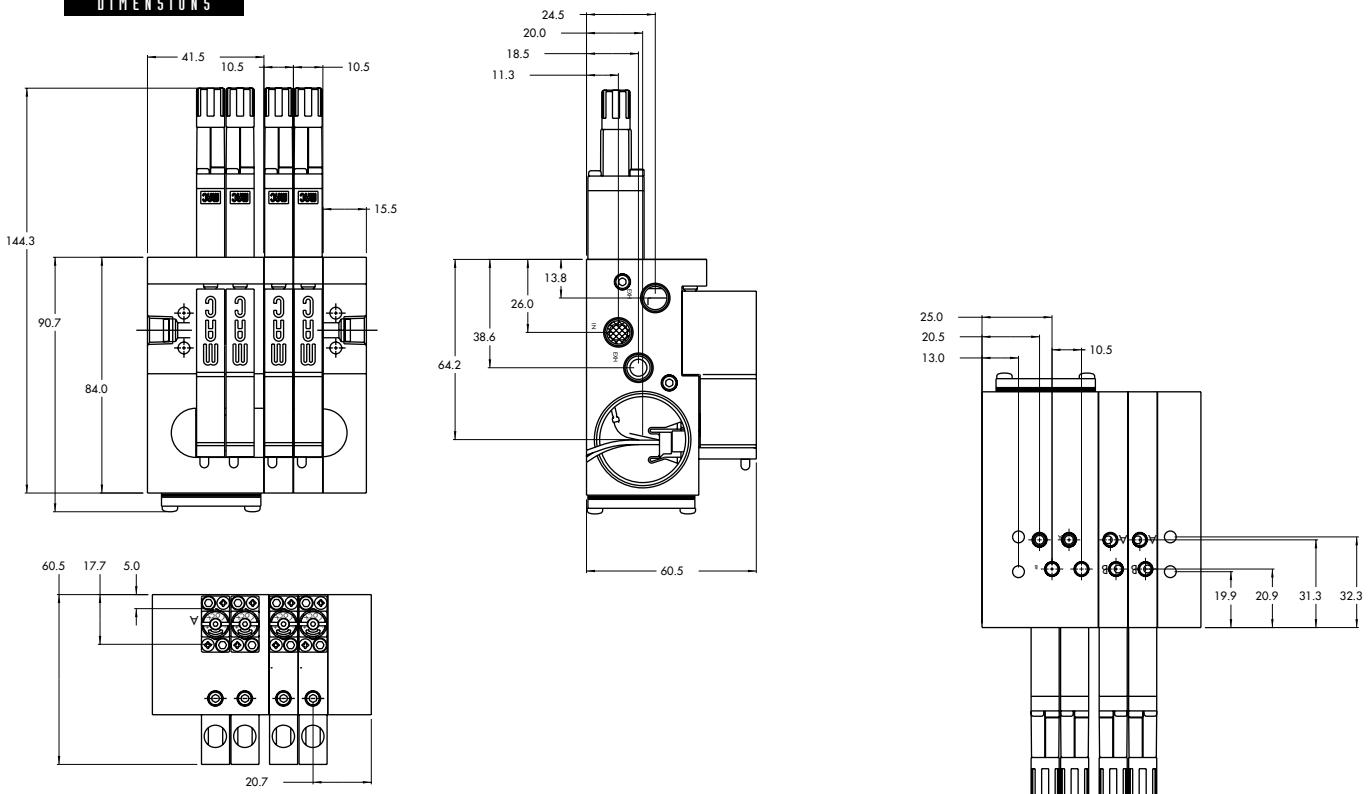
- PR44A-AOxx
- Y=A (no gage port)
 - Y=B (with gage port)
 - X=A (0 to 100 PSI)
 - X=B (0 to 60 PSI)
 - X=C (0 to 40 PSI)
 - X=D (0 to 15 PSI)

**TECHNICAL
DATA**

| | |
|-----------------------------------|---|
| Fluid : | Compressed air, vacuum, inert gases |
| Pressure range : | Vacuum to 120 PSI |
| Lubrication : | Not required, if used select a medium aniline point lubricant (between 180°F and 210°F) |
| Filtration : | 40 µ |
| Temperature range : | 0°F to 120°F (-18°C to +50°C) |
| Orifice : | 1.8 mm |
| Flow (at 6 bar, ΔP=1bar) : | 4 W : 0.09 C _v , 2.5 W : 0.08 C _v , 1.8 W : 0.06 C _v , 1.0 W : 0.05 C _v |
| Coil : | General purpose class A, continuous duty, encapsulated |
| Voltage range : | -15% to +10% of nominal voltage |
| Power : | 4 W - 2.5 W - 1.8 W - 1.0 W |
| Response times : | Energize : 4 ms |
| (with 4 W coil) | De-energize : 1.5 ms |

- Note :
- Valve and coil are not interchangeable.
 - Pressure range regulators : (0-100 PSI).
- Spare parts :
- Valve mounting kit : N-44001-03. • Blanking plate : M-44003. • Blanking plate regulator: N-44003.
 - Base wire Plug-in protector : 24180.
- Options :
- Isolation of inlet and/or exhaust. • BSPP Threads.

DIMENSIONS

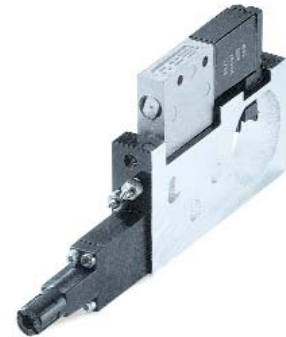


| | | | |
|-----------------|--------------------|--------------------------|--|
| Function | Port size | Flow [Max] | Circuit bar mounting |
| 5/2 | M5 - #10-32 | 0.07C_v | plug-in add-a-unit stations with F. C. and Pr. Reg. |

OPERATIONAL BENEFITS

1. 10 mm valve, direct solenoid operated.
2. Balanced poppet, immune to variations of pressure.
3. Short stroke with high flow.
4. The patented solenoid develops high shifting forces.
5. Powerful return spring.
6. Flow is specifically adjusted on each valve.
7. Manual operator standard on all valves.

Reset



HOW TO ORDER

44B-xxx-GxxO-xxx

HOW TO ORDER VALVE FOR CIRCUIT BAR MOUNTING

| | |
|-----------------------------|--|
| Port size (see base) | Single operator |
| Valve less base |  <input type="radio"/> 44B-MOO-GxxO-xxx |

SOLENOID OPERATOR >

| XX Voltage | | X Manual operator | XX Electrical connection |
|--------------------------|---------------|-------------------------------------|---|
| <input type="radio"/> DA | 24VDC (1.0 W) | <input type="radio"/> 1 Non-locking | <input type="radio"/> DJ Plug-in |
| <input type="radio"/> DC | 24VDC (1.8 W) | | <input type="radio"/> DT Plug-in with light |
| <input type="radio"/> DD | 24VDC (2.5 W) | | <input type="radio"/> DE Plug-in with suppression diode |
| <input type="radio"/> DF | 24VDC (4.0 W) | | <input type="radio"/> DV Plug-in with light and suppression diode |
| <input type="radio"/> xx | Other Options | | <input type="radio"/> xx Other Options |

ECD044B-00xxx-AOxx

HOW TO ORDER CIRCUIT BAR WITH FLOW CONTROLS AND PRESSURE REGULATORS ** (pressure regulators to be ordered separately)

| | |
|------------------|--|
| Port size | Bottom cylinder ports (10,5 mm) |
| M5 | <input type="radio"/> ECD044B-007CD-AOxx |
| # 10-32 | <input type="radio"/> ECD044B-007CB-AOxx |

Number of stations (03=3 stations) - Maximum length is 4 stations
 Note : clic for valves mounted on base at the factory (add - 9 to the model number).
 when add-a-unit stations are added to bars with a multi-pin connector, MOD. SD03 should be included with add-a-unit model number.

** Regulator ordered separately-see below :

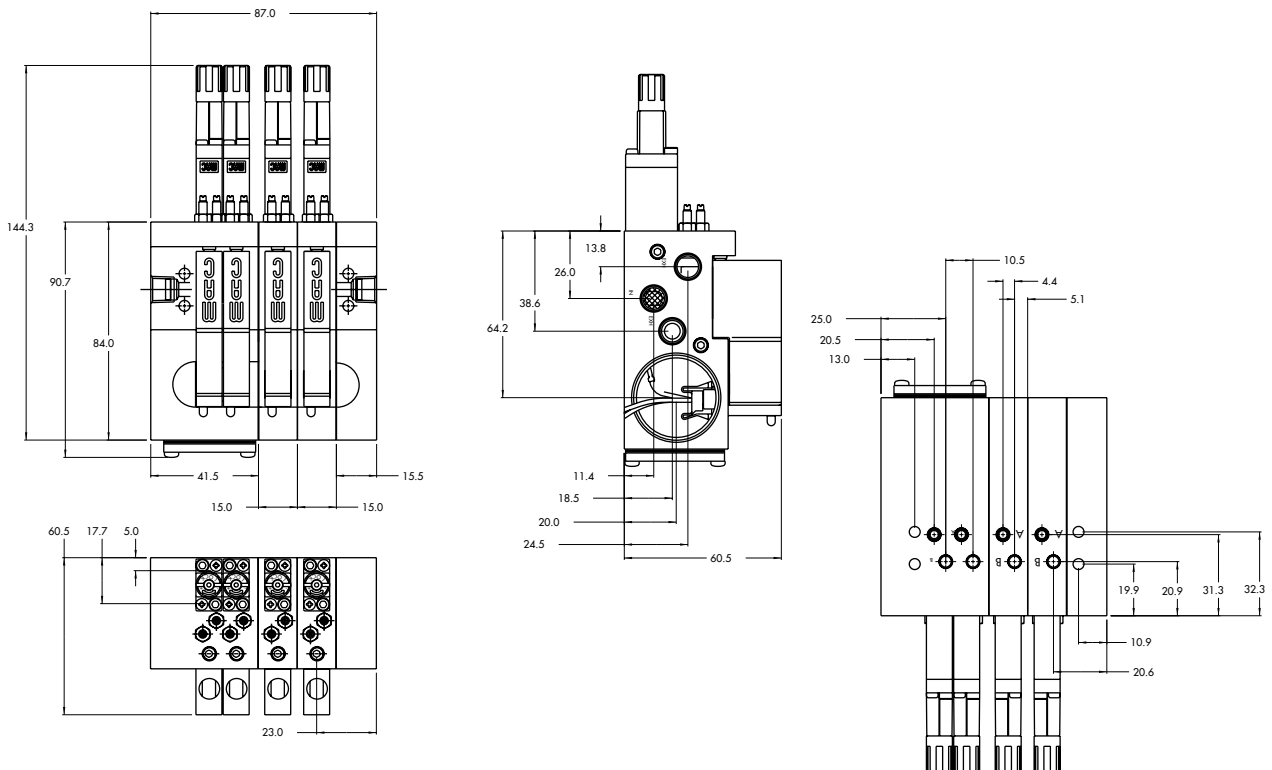
- PR44A-AOxx**
- Y=A (no gage port)
 - Y=B (with gage port)
 - X=A (0 to 100 PSI)
 - X=B (0 to 60 PSI)
 - X=C (0 to 40 PSI)
 - X=D (0 to 15 PSI)

**TECHNICAL
DATA**

| | |
|-----------------------------------|---|
| Fluid : | Compressed air, vacuum, inert gases |
| Pressure range : | Vacuum to 120 PSI |
| Lubrication : | Not required, if used select a medium aniline point lubricant (between 180°F and 210°F) |
| Filtration : | 40 µ |
| Temperature range : | 0°F to 120°F (-18°C to +50°C) |
| Orifice : | 1.8 mm |
| Flow (at 6 bar, ΔP=1bar) : | 4 W : 0.07 C _v , 2.5 W : 0.06 C _v , 1.8 W : 0.06 C _v , 1.0 W : 0.05 C _v |
| Coil : | General purpose class A, continuous duty, encapsulated |
| Voltage range : | -15% to +10% of nominal voltage |
| Power : | 4 W - 2.5 W - 1.8 W - 1.0 W |
| Response times : | Energize : 4 ms |
| (with 4 W coil) | De-energize : 1.5 ms |

- Note :
- Valve and coil are not interchangeable.
 - Pressure range regulators : (0-100 PSI).
- Spare parts :
- Valve mounting kit : N-44001-03. • Blanking plate : M-44003. • Blanking plate regulator: N-44003.
 - Base wire Plug-in protector : 24180.
- Options :
- Isolation of inlet and/or exhaust. • BSPP Threads.

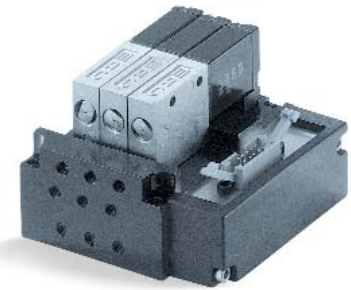
DIMENSIONS



| | | | |
|-----------------------|--|--------------------------|----------------------------------|
| Function | Port size | Flow [Max] | Circuit bar mounting |
| 5/2, 3/2 NO-NC | M5 - #10-32, 4 mm tube receptacle | 0.10C_v | plug-in with pre-wired connector |

OPERATIONAL BENEFITS

1. 10 mm valve, direct solenoid operated.
2. Balanced poppet, immune to variations of pressure.
3. Short stroke with high flow.
4. The patented solenoid develops high shifting forces.
5. Powerful return spring.
6. Flow is specifically adjusted on each valve.
7. Manual operator standard on all valves.



HOW TO ORDER

44B-xxx-GxxO-xxx

HOW TO ORDER VALVE FOR CIRCUIT BAR MOUNTING

| | |
|-----------------------------|---|
| Port size (see base) | Single operator |
| Valve less base | <input type="radio"/> 44B-LOO-GxxxO-xxx |

SOLENOID OPERATOR

G XX O - X XX *

| XX Voltage | X Manual operator | XX Electrical connection |
|--|-------------------------------------|---|
| <input type="radio"/> DA 24VDC (1.0 W) | <input type="radio"/> 1 Non-locking | <input type="radio"/> DJ Plug-in |
| <input type="radio"/> DC 24VDC (1.8 W) | | <input type="radio"/> DT Plug-in with light |
| <input type="radio"/> DD 24VDC (2.5 W) | | <input type="radio"/> DE Plug-in with suppression diode |
| <input type="radio"/> DF 24VDC (4.0 W) | | <input type="radio"/> DV Plug-in with light and suppression diode |
| <input type="radio"/> xx Other Options | | <input type="radio"/> xx Other Options |

ECF44B-00xxx-xxxx

HOW TO ORDER CIRCUIT BAR **

| Port size | Side cylinder ports (10.5 mm) | Bottom cylinder ports (10.5 mm) |
|-----------------------------|---|---|
| M5 | <input type="radio"/> ECF44B-00BDA-zzxx | <input type="radio"/> ECF44B-00CDA-zzxx |
| # 10-32 | <input type="radio"/> ECF44B-00BBA-zzxx | <input type="radio"/> ECF44B-00CBA-zzxx |
| 4 mm tube receptacle | <input type="radio"/> ECF44B-00BEA-zzxx | |

Number of stations (03=3 stations)

** Other options available Consult factory.

Note: clic for valves mounted on base at the factory (add - 9 to the model number).

L=Left Side; R=Right Side

| ZZ Connector | ZZ Connector |
|---|---|
| <input type="radio"/> LA 9 Pin Sub D* | <input type="radio"/> RA 9 Pin Sub D* |
| <input type="radio"/> LB 15 Pin Sub D* | <input type="radio"/> RB 15 Pin Sub D* |
| <input type="radio"/> LC 25 Pin Sub D* | <input type="radio"/> RC 25 Pin Sub D* |
| <input type="radio"/> LD 10 Pin Ribbon Cable** | <input type="radio"/> RD 10 Pin Ribbon Cable** |
| <input type="radio"/> LE 16 Pin Ribbon Cable** | <input type="radio"/> RE 16 Pin Ribbon Cable** |
| <input type="radio"/> LF 20 Pin Ribbon Cable** | <input type="radio"/> RF 20 Pin Ribbon Cable** |
| <input type="radio"/> LG 26 Pin Ribbon Cable** | <input type="radio"/> RG 26 Pin Ribbon Cable** |
| <input type="radio"/> LH 3/8" NPSM Conduit Port Standard Base Wires | <input type="radio"/> RH 3/8" NPSM Conduit Port Standard Base Wires |

* MIL. Spec; MIL-C-24308

** MIL. Spec; MIL-C-83503

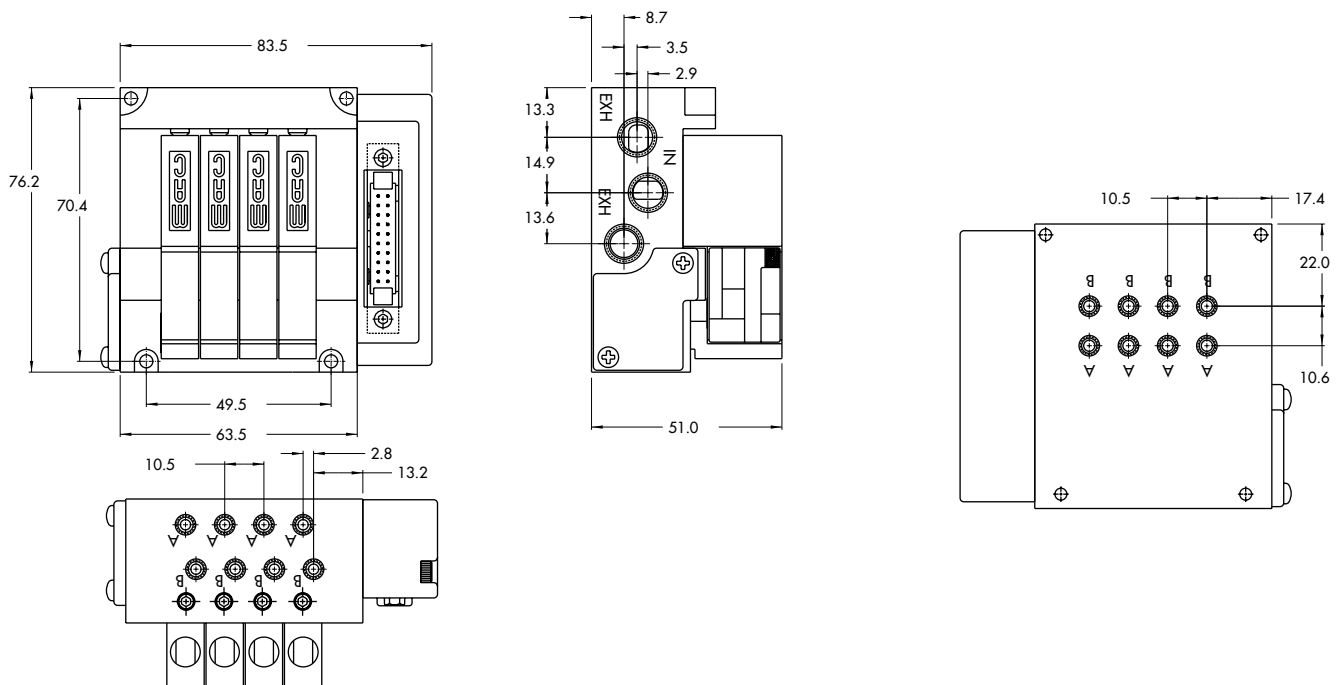
Note: Left and right end is determined by facing conduit passage.

**TECHNICAL
D A T A**

| | |
|-----------------------------------|---|
| Fluid : | Compressed air, vacuum, inert gases |
| Pressure range : | Vacuum to 120 PSI |
| Lubrication : | Not required, if used select a medium aniline point lubricant (between 180°F and 210°F) |
| Filtration : | 40 µ |
| Temperature range : | 0°F to 120°F (-18°C to +50°C) |
| Orifice : | 1.8 mm |
| Flow (at 6 bar, ΔP=1bar) : | 4 W : 0.10 C _v , 2.5 W : 0.08 C _v , 1.8 W : 0.06 C _v , 1.0 W : 0.05 C _v |
| Coil : | General purpose class A, continuous duty, encapsulated |
| Voltage range : | -15% to +10% of nominal voltage |
| Power : | 4 W - 2.5 W - 1.8 W - 1.0 W |
| Response times : | Energize : 4 ms |
| (with 4 W coil) | De-energize : 1.5 ms |

- Note : • Valve and coil are not interchangeable.
- Spare parts : • Valve mounting kit : N-44001-03. • Blanking plate : M-44003. • Base wire Plug-in protector : 24180.
- Options : • Isolation of inlet and/or exhaust. • BSPP threads.

D I M E N S I O N S





Direct solenoid and solenoid pilot operated valves

| | | | |
|-----------------------|--------------------|--------------------------|--|
| Function | Port size | Flow [Max] | Circuit bar mounting |
| 5/2, 3/2 NO-NC | M5 - #10-32 | 0.09C_v | plug-in with F. C. and pre-wired connector |

OPERATIONAL BENEFITS

1. 10 mm valve, direct solenoid operated.
2. Balanced poppet, immune to variations of pressure.
3. Short stroke with high flow.
4. The patented solenoid develops high shifting forces.
5. Powerful return spring.
6. Flow is specifically adjusted on each valve.
7. Manual operator standard on all valves.



HOW TO ORDER

44B-xxx-GxxO-xxx

HOW TO ORDER VALVE FOR CIRCUIT BAR MOUNTING

| | |
|-----------------------------|--|
| Port size (see base) | Single operator |
| Valve less base | <input type="radio"/> 44B-MOO-GxxO-xxx |

SOLENOID OPERATOR >

G **XX** O- **X** **XX***

| XX Voltage | X Manual operator | XX Electrical connection |
|---|--|--|
| <input type="radio"/> DA 24VDC (1.0 W) | <input type="radio"/> 1 Non-locking | <input type="radio"/> DJ Plug-in |
| <input type="radio"/> DC 24VDC (1.8 W) | | <input type="radio"/> DT Plug-in with light |
| <input type="radio"/> DD 24VDC (2.5 W) | | <input type="radio"/> DE Plug-in with suppression diode |
| <input type="radio"/> DF 24VDC (4.0 W) | | <input type="radio"/> DV Plug-in with light and suppression diode |
| <input type="radio"/> xx Other Options | | <input type="radio"/> xx Other Options |

ECF44B-00xxx-xxxx

HOW TO ORDER CIRCUIT BAR WITH FLOW CONTROLS **

| | |
|-----------------------------|--|
| Port size | Bottom cylinder ports (10.5 mm) |
| M5 # 10-32 | <input type="radio"/> ECF44B-00EDA-zzxx <input type="radio"/> ECF44B-00EBA-zzxx |

Number of stations (03=3 stations)

** Other options available Consult factory.

Note : clic for valves mounted on base at the factory (add - 9 to the model number).

| L=Left Side; R=Right Side | | | |
|---------------------------|---|--------------------------|---|
| ZZ | Connector | ZZ | Connector |
| <input type="radio"/> LA | 9 Pin Sub D* | <input type="radio"/> RA | 9 Pin Sub D* |
| <input type="radio"/> LB | 15 Pin Sub D* | <input type="radio"/> RB | 15 Pin Sub D* |
| <input type="radio"/> LC | 25 Pin Sub D* | <input type="radio"/> RC | 25 Pin Sub D* |
| <input type="radio"/> LD | 10 Pin Ribbon Cable** | <input type="radio"/> RD | 10 Pin Ribbon Cable** |
| <input type="radio"/> LE | 16 Pin Ribbon Cable** | <input type="radio"/> RE | 16 Pin Ribbon Cable** |
| <input type="radio"/> LF | 20 Pin Ribbon Cable** | <input type="radio"/> RF | 20 Pin Ribbon Cable** |
| <input type="radio"/> LG | 26 Pin Ribbon Cable** | <input type="radio"/> RG | 26 Pin Ribbon Cable** |
| <input type="radio"/> LH | 3/8" NPSM Conduit Port Standard Base Wires | <input type="radio"/> RH | 3/8" NPSM Conduit Port Standard Base Wires |

* MIL. Spec; MIL-C-24308

** MIL. Spec; MIL-C-83503

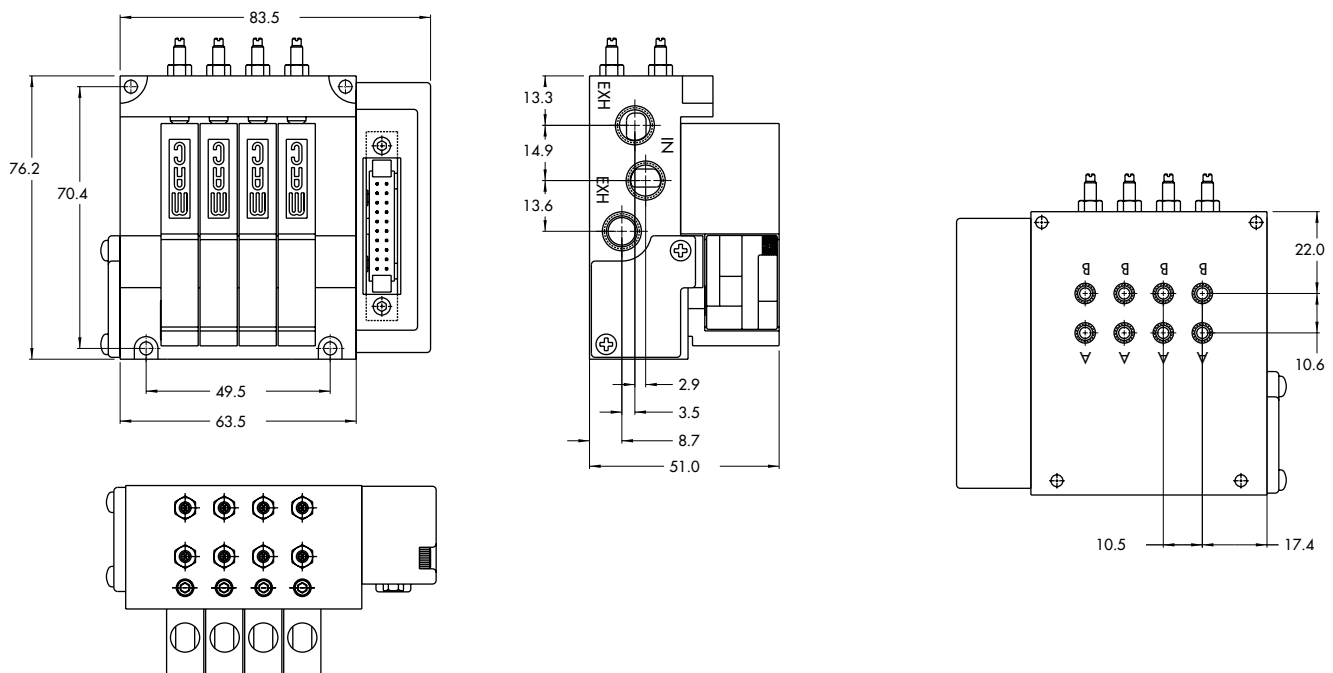
Note: Left and right end is determined by facing conduit passage.

**TECHNICAL
D A T A**

| | |
|-----------------------------------|---|
| Fluid : | Compressed air, vacuum, inert gases |
| Pressure range : | Vacuum to 120 PSI |
| Lubrication : | Not required, if used select a medium aniline point lubricant (between 180°F and 210°F) |
| Filtration : | 40 µ |
| Temperature range : | 0°F to 120°F (-18°C to +50°C) |
| Orifice : | 1.8 mm |
| Flow (at 6 bar, ΔP=1bar) : | 4 W : 0.09 C _v , 2.5 W : 0.08 C _v , 1.8 W : 0.06 C _v , 1.0 W : 0.05 C _v |
| Coil : | General purpose class A, continuous duty, encapsulated |
| Voltage range : | -15% to +10% of nominal voltage |
| Power : | 4 W - 2.5 W - 1.8 W - 1.0 W |
| Response times : | Energize : 4 ms |
| (with 4 W coil) | De-energize : 1.5 ms |

- Note :
 - Valve and coil are not interchangeable.
- Spare parts :
 - Valve mounting kit : N-44001-03. • Blanking plate : M-44003. • Flow control needle (x2) : N-44002.
 - Base wire Plug-in protector : 24180.
- Options :
 - Isolation of inlet and/or exhaust. • BSPP threads.

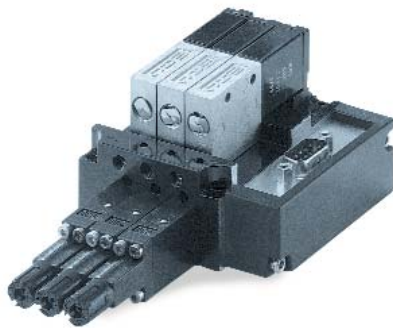
D I M E N S I O N S



| | | | |
|-----------------------|--------------------|--------------------------|---|
| Function | Port size | Flow [Max] | Circuit bar mounting |
| 5/2, 3/2 NO-NC | M5 - #10-32 | 0.09C_v | plug-in with Pr. Reg. and pre-wired connector |

OPERATIONAL BENEFITS

1. 10 mm valve, direct solenoid operated.
2. Balanced poppet, immune to variations of pressure.
3. Short stroke with high flow.
4. The patented solenoid develops high shifting forces.
5. Powerful return spring.
6. Flow is specifically adjusted on each valve.
7. Manual operator standard on all valves.



HOW TO ORDER

44B-xxx-GxxO-xxx

HOW TO ORDER VALVE FOR CIRCUIT BAR MOUNTING

| | |
|-----------------------------|--|
| Port size (see base) | Single operator |
| Valve less base | <input type="radio"/> 44B-LOO-GxxO-xxx |

SOLENOID OPERATOR

G XX O - X XX

| XX Voltage | X Manual operator | XX Electrical connection |
|--|-------------------------------------|---|
| <input type="radio"/> DA 24VDC (1.0 W) | <input type="radio"/> 1 Non-locking | <input type="radio"/> DJ Plug-in |
| <input type="radio"/> DC 24VDC (1.8 W) | | <input type="radio"/> DT Plug-in with light |
| <input type="radio"/> DD 24VDC (2.5 W) | | <input type="radio"/> DE Plug-in with suppression diode |
| <input type="radio"/> DF 24VDC (4.0 W) | | <input type="radio"/> DV Plug-in with light and suppression diode |
| <input type="radio"/> xx Other Options | | <input type="radio"/> xx Other Options |

HOW TO ORDER CIRCUIT BAR FOR PRESSURE REGULATORS ** (to be ordered separately)

ECF44B-00xxx-xxxx

| | |
|-----------------------------|--|
| Port size | Bottom cylinder ports (10.5 mm) |
| M5 # 10-32 | <input type="radio"/> ECF44B-00GDA-zzxx <input type="radio"/> ECF44B-00GBA-zzxx |

Number of stations (03=3 stations)

** Other options available Consult factory.

Note: clic for valves mounted on base at the factory (add - 9 to the model number).

** Pressure Regulators :

PR44A-AOxx

- Y=A (no gage port)
- Y=B (with gage port)
- X=A (0 to 100 PSI)
- X=B (0 to 60 PSI)
- X=C (0 to 40 PSI)
- X=D (0 to 15 PSI)

L=Left Side; R=Right Side

| ZZ Connector | ZZ Connector |
|---|---|
| <input type="radio"/> LA 9 Pin Sub D* | <input type="radio"/> RA 9 Pin Sub D* |
| <input type="radio"/> LB 15 Pin Sub D* | <input type="radio"/> RB 15 Pin Sub D* |
| <input type="radio"/> LC 25 Pin Sub D* | <input type="radio"/> RC 25 Pin Sub D* |
| <input type="radio"/> LD 10 Pin Ribbon Cable** | <input type="radio"/> RD 10 Pin Ribbon Cable** |
| <input type="radio"/> LE 16 Pin Ribbon Cable** | <input type="radio"/> RE 16 Pin Ribbon Cable** |
| <input type="radio"/> LF 20 Pin Ribbon Cable** | <input type="radio"/> RF 20 Pin Ribbon Cable** |
| <input type="radio"/> LG 26 Pin Ribbon Cable** | <input type="radio"/> RG 26 Pin Ribbon Cable** |
| <input type="radio"/> LH 3/8" NPSM Conduit Port Standard Base Wires | <input type="radio"/> RH 3/8" NPSM Conduit Port Standard Base Wires |

* MIL. Spec; MIL-C-24308
 ** MIL. Spec; MIL-C-83503

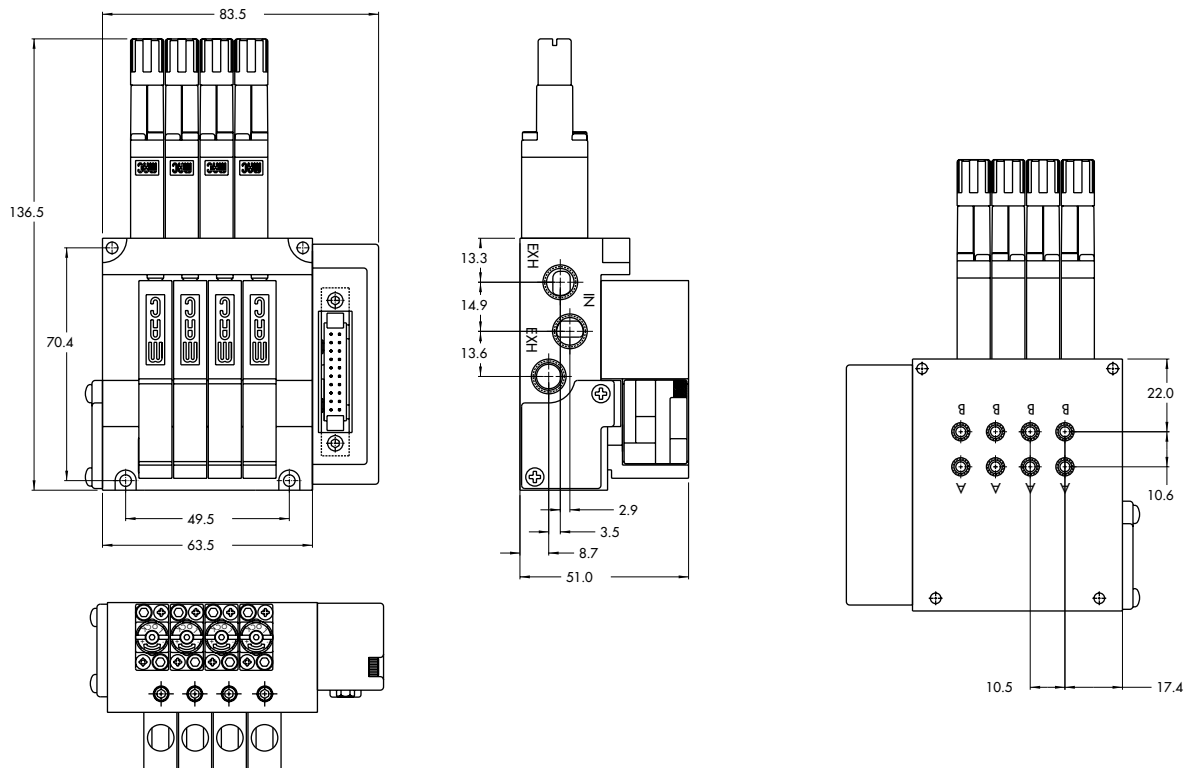
Note: Left and right end is determined by facing conduit passage.

**TECHNICAL
DATA**

| | |
|-----------------------------------|---|
| Fluid : | Compressed air, vacuum, inert gases |
| Pressure range : | Vacuum to 120 PSI |
| Lubrication : | Not required, if used select a medium aniline point lubricant (between 180°F and 210°F) |
| Filtration : | 40 µ |
| Temperature range : | 0°F to 120°F (-18°C to +50°C) |
| Orifice : | 1.8 mm |
| Flow (at 6 bar, ΔP=1bar) : | 4 W : 0.09 C _v , 2.5 W : 0.08 C _v , 1.8 W : 0.06 C _v , 1.0 W : 0.05 C _v |
| Coil : | General purpose class A, continuous duty, encapsulated |
| Voltage range : | -15% to +10% of nominal voltage |
| Power : | 4 W - 2.5 W - 1.8 W - 1.0 W |
| Response times : | Energize : 4 ms |
| (with 4 W coil) | De-energize : 1.5 ms |

- Note :
- Valve and coil are not interchangeable.
 - Pressure range regulator (0-100 PSI)
- Spare parts :
- Valve mounting kit : N-44001-03. • Blanking plate : M-44003. • Blanking plate regulator : N-44003.
 - Base wire Plug-in protector : 24180.
- Options :
- Isolation of inlet and/or exhaust. • BSPP threads.

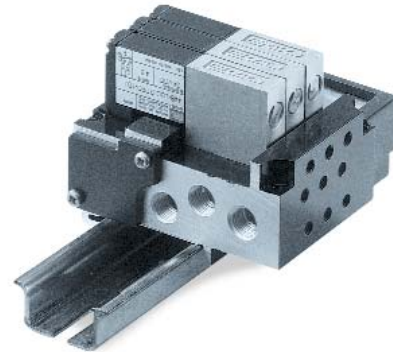
DIMENSIONS



| | | | |
|-----------------------|--|--------------------------|---|
| Function | Port size | Flow [Max] | Circuit bar mounting |
| 5/2, 3/2 NO-NC | M5 - #10-32, 4 mm tube receptacle | 0.10C_v | din rail, plug-in with pre-wired connector |

OPERATIONAL BENEFITS

1. 10 mm valve, direct solenoid operated.
2. Balanced poppet, immune to variations of pressure.
3. Short stroke with high flow.
4. The patented solenoid develops high shifting forces.
5. Powerful return spring.
6. Flow is specifically adjusted on each valve.
7. Manual operator standard on all valves.



HOW TO ORDER

44B-xxx-GxxO-xxx

HOW TO ORDER VALVE FOR CIRCUIT BAR MOUNTING

| | |
|---------------------------------|------------------------|
| Port size (see base) | Single operator |
| Valve less base | 44B-LOO-GxxO-xxx |

SOLENOID OPERATOR

G XX O - X XX

| XX Voltage | X Manual operator | XX Electrical connection |
|--|-------------------------------------|---|
| <input type="radio"/> DA 24VDC (1.0 W) | <input type="radio"/> 1 Non-locking | <input type="radio"/> DJ Plug-in |
| <input type="radio"/> DC 24VDC (1.8 W) | | <input type="radio"/> DT Plug-in with light |
| <input type="radio"/> DD 24VDC (2.5 W) | | <input type="radio"/> DE Plug-in with suppression diode |
| <input type="radio"/> DF 24VDC (4.0 W) | | <input type="radio"/> DV Plug-in with light and suppression diode |
| <input type="radio"/> xx Other Options | | <input type="radio"/> xx Other Options |

ECF44B-00xxx-xxxx

HOW TO ORDER CIRCUIT BAR

| | |
|-----------------------------|--|
| Port size | Side cylinder ports (10.5 mm) |
| M5 | <input type="radio"/> ECF44B-00BDB-zzxx |
| # 10-32 | <input type="radio"/> ECF44B-00BBB-zzxx |
| 4 mm tube receptacle | <input type="radio"/> ECF44B-00BEB-zzxx |

Number of stations (03=3 stations)

Din rail spec. (EN50 022)

Note: clic for valves mounted on base at the factory (add - 9 to the model number).

L=Left Side; R=Right Side

| ZZ Connector | ZZ Connector |
|--|--|
| <input type="radio"/> LA 9 Pin Sub D* | <input type="radio"/> RA 9 Pin Sub D* |
| <input type="radio"/> LB 15 Pin Sub D* | <input type="radio"/> RB 15 Pin Sub D* |
| <input type="radio"/> LC 25 Pin Sub D* | <input type="radio"/> RC 25 Pin Sub D* |
| <input type="radio"/> LD 10 Pin Ribbon Cable** | <input type="radio"/> RD 10 Pin Ribbon Cable** |
| <input type="radio"/> LE 16 Pin Ribbon Cable** | <input type="radio"/> RE 16 Pin Ribbon Cable** |
| <input type="radio"/> LF 20 Pin Ribbon Cable** | <input type="radio"/> RF 20 Pin Ribbon Cable** |
| <input type="radio"/> LG 26 Pin Ribbon Cable** | <input type="radio"/> RG 26 Pin Ribbon Cable** |
| <input type="radio"/> LH 3/8" NPSM Conduit Port Standard Base Wires | <input type="radio"/> RH 3/8" NPSM Conduit Port Standard Base Wires |

* MIL. Spec; MIL-C-24308

** MIL. Spec; MIL-C-83503

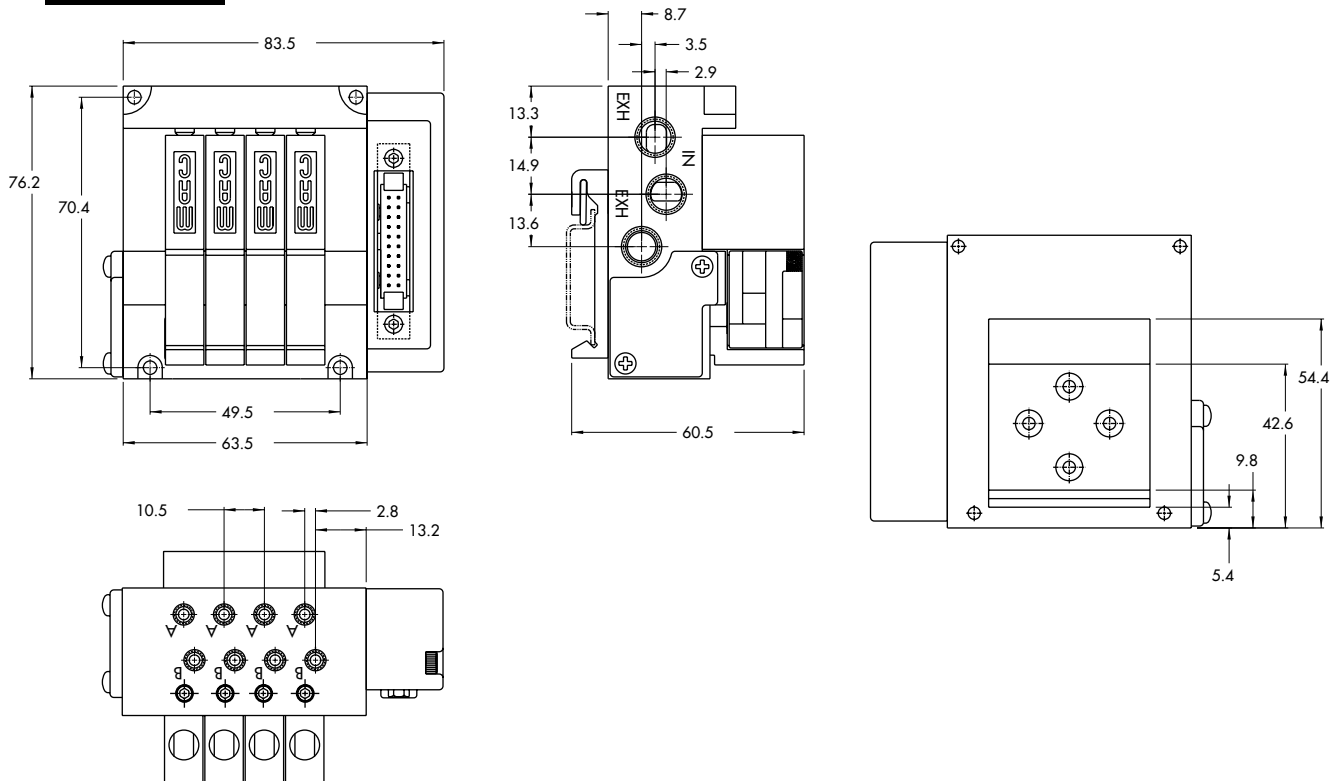
Note: Left and right end is determined by facing conduit passage.

**TECHNICAL
DATA**

| | |
|-----------------------------------|---|
| Fluid : | Compressed air, vacuum, inert gases |
| Pressure range : | Vacuum to 120 PSI |
| Lubrication : | Not required, if used select a medium aniline point lubricant (between 180°F and 210°F) |
| Filtration : | 40 µ |
| Temperature range : | 0°F to 120°F (-18°C to +50°C) |
| Orifice : | 1.8 mm |
| Flow (at 6 bar, ΔP=1bar) : | 4 W : 0.10 C _v , 2.5 W : 0.08 C _v , 1.8 W : 0.06 C _v , 1.0 W : 0.05 C _v |
| Coil : | General purpose class A, continuous duty, encapsulated |
| Voltage range : | -15% to +10% of nominal voltage |
| Power : | 4 W - 2.5 W - 1.8 W - 1.0 W |
| Response times : | Energize : 4 ms |
| (with 4 W coil) | De-energize : 1.5 ms |

- Note : • Valve and coil are not interchangeable.
- Spare parts : • Valve mounting kit : N-44001-03. • Blanking plate : M-44003. • Base wire Plug-in protector : 24180.
- Options : • Isolation of inlet and/or exhaust. • BSPP threads.

DIMENSIONS





Section 2

Options



0 p t i o n s

Codification table for voltages / Manual operator / Electrical connection

VALVE CODE ►

-GXX X - X XX
1 2 3 4

OPTIONS AVAILABLE FOR

- solenoid valves 34 & 44 Series

| 1. VOLTAGE (type 34 Series) | | 1. VOLTAGE (type 44 Series) | |
|-----------------------------|----------------|--|----------------|
| -G XX X - X XX | VOLTAGE | -G XX X - X XX | VOLTAGE |
| <input type="checkbox"/> DC | 24 VDC (1,8 W) | <input type="checkbox"/> DA | 24 VDC (1,0 W) |
| <input type="checkbox"/> DD | 24 VDC (2,5 W) | <input type="checkbox"/> DC | 24 VDC (1,8 W) |
| <input type="checkbox"/> DE | 24 VDC (3,0 W) | <input type="checkbox"/> DD | 24 VDC (2,5 W) |
| <input type="checkbox"/> DF | 24 VDC (4,0 W) | <input type="checkbox"/> DF | 24 VDC (4,0 W) |
| <input type="checkbox"/> DJ | 12 VDC (1,8 W) | <input type="checkbox"/> DG | 12 VDC (1,0 W) |
| <input type="checkbox"/> DK | 12 VDC (2,5 W) | <input type="checkbox"/> DJ | 12 VDC (1,8 W) |
| <input type="checkbox"/> DM | 12 VDC (3,0 W) | <input checked="" type="checkbox"/> DK | 12 VDC (2,5 W) |
| <input type="checkbox"/> DN | 12 VDC (4,0 W) | <input type="checkbox"/> DN | 12 VDC (4,0 W) |

| 2. WIRE LENGTH (Common options for 34 & 44 Series) | |
|--|-------------|
| -G XX X - X XX | WIRE LENGTH |
| <input type="checkbox"/> A | 18" |
| <input type="checkbox"/> B | 24" |
| <input type="checkbox"/> C | 36" |
| <input checked="" type="checkbox"/> D | 48" |
| <input type="checkbox"/> E | 72" |
| <input type="checkbox"/> F | 96" |
| <input type="checkbox"/> G | 120" |
| <input type="checkbox"/> H | 144" |



3. MANUAL OPERATOR (COMMON OPTIONS FOR 34 & 44 SERIES)

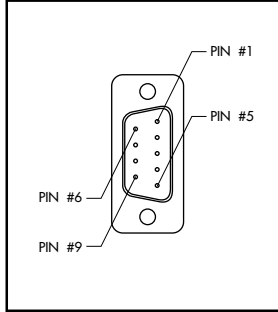
| -G XX X - X XX | MANUAL OPERATOR |
|-----------------------|------------------------|
| 1 | Non-locking recessed |
| 3 | Non-locking extended |

4. ELECTRICAL CONNECTION (COMMON OPTIONS FOR 34 & 44 SERIES)

| -G XX X - X XX | NO CONNECTOR |
|--|--|
| <input type="radio"/> BA | Flying leads |
| <input type="radio"/> BB | BA with ground wire |
| <input type="radio"/> BC | BA with light |
| <input type="radio"/> BD | BA with light and ground wire |
| <input type="radio"/> BE | BA with suppression diode |
| <input type="radio"/> BF | BA with suppression diode and ground wire |
| <input type="radio"/> BG | BA with suppression diode and light |
| <input type="radio"/> BH | BA with suppression diode, light and ground wire |
| <input type="radio"/> BN | BA with suppression diode and blocking diode |
| <input checked="" type="radio"/> BP | BA with suppression diode, blocking diode and ground wire |
| <input type="radio"/> BR | BA with suppression diode, blocking diode and light |
| <input type="radio"/> BS | BA with suppression diode, blocking diode, light and ground wire |
| <input type="radio"/> BT | BA with light |
| <input type="radio"/> BU | BA with light and ground wire |
| <input type="radio"/> BV | BA with suppression diode and light |
| <input type="radio"/> BW | BA with suppression diode, light and ground wire |
| <input type="radio"/> BX | BA with suppression diode, blocking diode and light |
| <input type="radio"/> BY | BA with suppression diode, blocking diode, light and ground wire |

| -G XX X - X XX | PLUG-IN CONNECTOR |
|---------------------------------|--|
| <input type="radio"/> KA | Mini connector with flying leads |
| <input type="radio"/> KB | KA with ground wire |
| <input type="radio"/> KE | KA with suppression diode |
| <input type="radio"/> KF | KA with suppression diode and ground wire |
| <input type="radio"/> KJ | Mini connector for KA option |
| <input type="radio"/> KM | Mini connector for KB option |
| <input type="radio"/> KN | KA with suppression diode and blocking diode |
| <input type="radio"/> KP | KA with suppression diode, blocking diode and ground wire |
| <input type="radio"/> KT | KA with light |
| <input type="radio"/> KU | KA with light and ground wire |
| <input type="radio"/> KV | KA with suppression diode and light |
| <input type="radio"/> KW | KA with suppression diode, light and ground wire |
| <input type="radio"/> KX | KA with suppression diode, blocking diode and light |
| <input type="radio"/> KY | KA with suppression diode, blocking diode, light and ground wire |

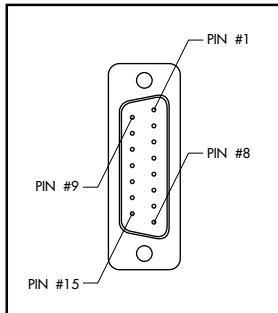
MOD. S009



TECHNICAL DATA

- Type «SUB_D»
- Number of contacts : 9
- Solder termination (Dia. 0.6 mm/0.14 mm²/26-22 AWG)
- Operating current 5 A/contact
- Rated voltage 125 V~
- Temp. range -40° to +125°C
- Insulation resistance ≥ 5.0⁹ Ω
- Protection class IP40 (DIN 40050)
- Number of solenoids : 7 max.
- Max. 24 V=/5.4 W per solenoid
- 2 common wires

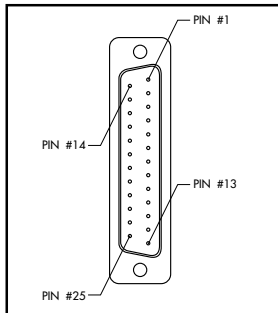
MOD. S015



TECHNICAL DATA

- Type «SUB_D»
- Number of contacts : 15
- Solder termination (Dia. 0.6 mm/0.14 mm²/26-22 AWG)
- Operating current 5 A/contact
- Rated voltage 125 V~
- Temp. range -40° to +125°C
- Insulation resistance ≥ 5.0⁹ Ω
- Protection class IP40 (DIN 40050)
- Number of solenoids : 12 max.
- Max. 24 V=/5.4 W per solenoid
- 3 common wires

MOD. S025



TECHNICAL DATA

- Type «SUB_D»
- Number of contacts : 25
- Solder termination (Dia. 0.6 mm/0.14 mm²/26-22 AWG)
- Operating current 5 A/contact
- Rated voltage 125 V~
- Temp. range -40° to +125°C
- Insulation resistance ≥ 5.0⁹ Ω
- Protection class IP40 (DIN 40050)
- Number of solenoids : 20 max.
- Max. 24 V=/5.4 W per solenoid
- 5 common wires

Note : Use desired MOD. number after circuit bar part number

Connector termination details

