

Individual mounting

sub-base non "plug-in"	sub-base "plug-in"
------------------------	--------------------

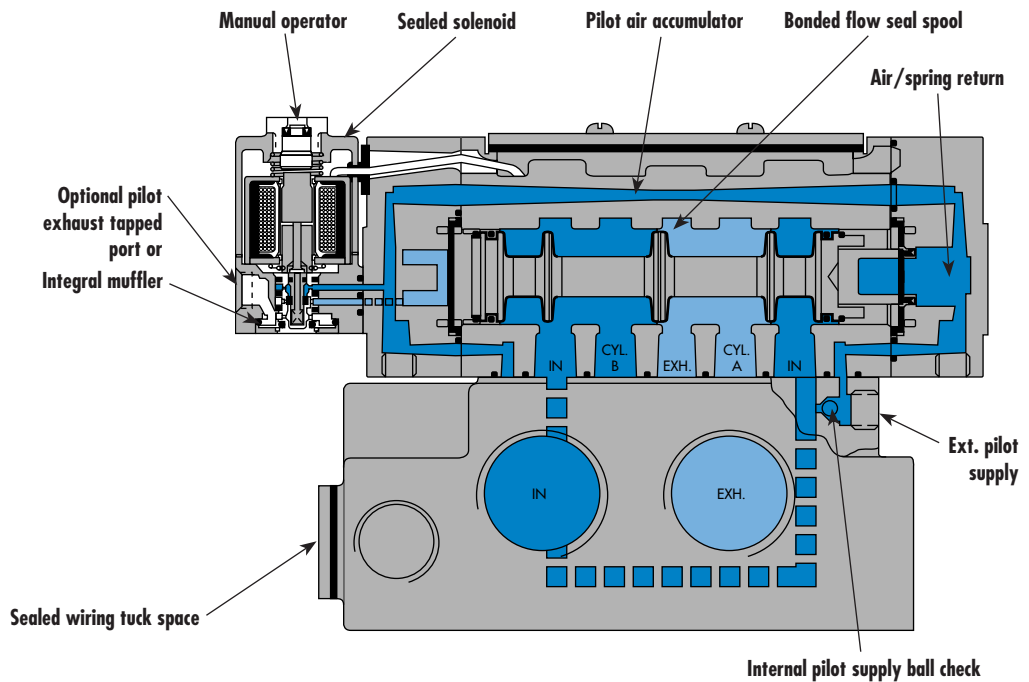
Series

Manifold mounting

sub-base non "plug-in"	sub-base "plug-in"
------------------------	--------------------

35

100



200

55

56

57

58

59

45

700

900

82

6300

6500

6600

1300

800

ISO 1

ISO 2

ISO 3

MAC 125A

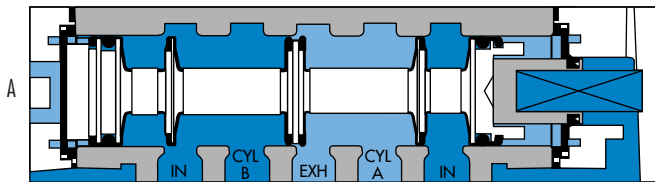
MAC 250A

MAC 500A

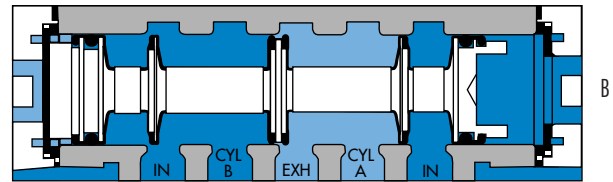
SERIES FEATURES

- The patented MACSOLENOID® with its non-burn out feature on AC service.
- A large checked accumulator for consistent shifting on single and double solenoid models.
- A plug-in design that provides for internal or external pilot with or without lights and all electrical and air plumbing in the base.
- Non-lubricated or lubricated service.
- Optional low wattage DC solenoids down to 1 watt.
- Optional indicator lights, and various types of manual operators.
- Non plug-in or external plug-in models are available.

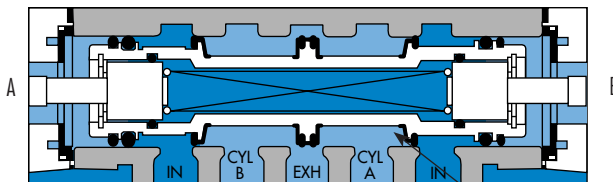
SPOOL CONFIGURATIONS



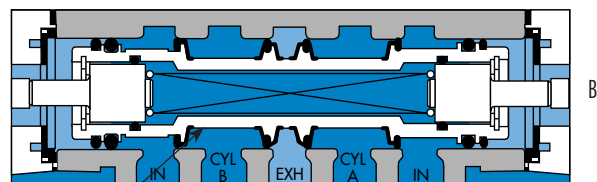
2 POS. SINGLE OPERATOR SPRING RETURN
B ACTUATED SHOWN



2 POS. DOUBLE OPERATOR
B ACTUATED SHOWN

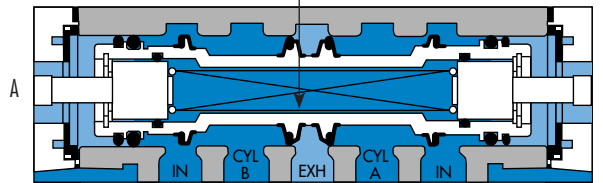


3 POS. OPEN CENTER
CENTER POSITION SHOWN



3 POS. CLOSED CENTER
CENTER POSITION SHOWN

PATENTED
AIR/SPRING
CENTERING



3 POS. PRESSURE CENTER
CENTER POSITION SHOWN

VALVE CONFIGURATIONS AVAILABLE

The versatile 6600 Series provides high flow, extremely fast response, and long life in a compact package and is available in the following configurations:

- 2-Pos., single or double operators (solenoid or remote air).
- 3-Pos., double operator-Closed Center, Open Center or Pressure Center (solenoid or remote air).
- Single pressure or dual pressure.
- Individual base.
- Internal pilot or for Vacuum to 25 PSI main valve pressures, external pilot.
- Manual and mechanical operators available.

REMOTE AIR PILOT OPERATED VALVES

These remote air versions feature:

- A large checked accumulator for air/spring return on single remote air models.
- All piping connections, including the remote air pilot supply, in the base.
- Non-lubricated or lubricated service.

REMOTE AIR PILOT, PILOT OPERATED VALVES

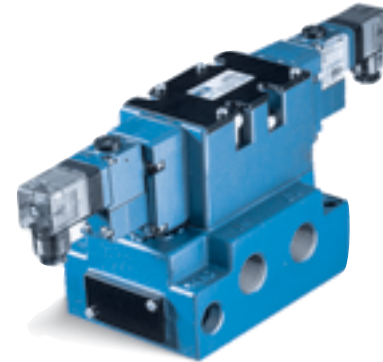
These special air versions have the same features as the remote air pilot operated models, but additionally feature:

- A manual operator and indicator.
- Ability to use a pilot signal pressure different from the main valve pressure. Pilot signal can be from 20 to 150 PSIG, regardless of main valve pressure.

Function	Port size	Flow [Max]	Individual mounting	Series
4/2 - 4/3	3/4" - 1"	9.6 C_v	sub-base non "plug-in"	

OPERATIONAL BENEFITS

- Balanced spool, immune to variations of pressure.
- Short stroke with high flow.
- High shifting forces.
- Checked accumulator guarantees maximum pilot pressure.
- Powerful return force thanks to the combination of mechanical and air springs.
- Bonded spool with minimum friction, shifting in a glass-like finished bore.
- Wiping effect eliminates sticking.
- Pilot valve with balanced poppet, high flow, short and consistent response times.



35
100
200
55
56
57
58
59

HOW TO ORDER

Port size	Pilot air	4/2 Single operator	4/2 Double operator	4/3 Closed center	4/3 Open center	4/3 Pressure center
Valve less base		6612A-000-PM- XXYZZ	6622A-000-PM- XXYZZ	6632A-000-PM- XXYZZ	6642A-000-PM- XXYZZ	6652A-000-PM- XXYZZ
sub-base	Internal	6612A-231-PM- XXYZZ	6622A-231-PM- XXYZZ	6632A-231-PM- XXYZZ	6642A-231-PM- XXYZZ	6652A-231-PM- XXYZZ
3/4" NPTF	External	6612A-241-PM- XXYZZ	6622A-241-PM- XXYZZ	6632A-241-PM- XXYZZ	6642A-241-PM- XXYZZ	6652A-241-PM- XXYZZ
sub-base	Internal	6612A-331-PM- XXYZZ	6622A-331-PM- XXYZZ	6632A-331-PM- XXYZZ	6642A-331-PM- XXYZZ	6652A-331-PM- XXYZZ
1" NPTF	External	6612A-341-PM- XXYZZ	6622A-341-PM- XXYZZ	6632A-341-PM- XXYZZ	6642A-341-PM- XXYZZ	6652A-341-PM- XXYZZ

Note : Above codes shown are for side ports.

SOLENOID OPERATOR ▶

XX Y ZZ*

XX Voltage	Y Manual operator	ZZ Electrical connection
11 120/60, 110/50	1 Non-locking	JB Rectangular connector
12 240/60, 220/50	2 Locking	JD Rectangular connector with light
22 24/60, 24/50		JA Square connector
59 24 VDC (2.5 W)		JC Square connector with light
87 24 VDC (17.1 W)		BA Flying leads (18")
61 24 VDC (8.5 W)		

* Other options available, see page 357.

OPTIONS

6612A-XXX-PM-**XXYZZ**

- For piped pilot exhaust replace M by P.
- For dual pressure valve, replace by 4.

MODIFICATIONS

MOD. N°	DESCRIPTION	MODEL AVAILABILITY
0002	Bottom inlet, exh. & cyl ports (side ports plugged)	3/4" individual base
0004	Full side porting and additional. Bottom inlet, exh. & cyl ports	3/4" individual base
0112	Side inlet & exhaust with bottom cyl. ports (side cyl.ports plugged)	3/4" individual base

TO ORDER - Add the appropriate modification number after the valve number;

EXAMPLE : 6612A-231-PM-111JA **MOD 0002**

Note : 1. The valve less base is always the same for internal or external pilot. These options are effected in the base.

2. Bottom ports : Refer to modification table.

3. To order bases without the valve, choose the base from the above table, then add 6600A as a prefix. Example 6600A-231.

4. 2 position and 3 position valve bodies are not interchangeable.

700
900
82
6300
6500
6600
1300
800
ISO 1
ISO 2
ISO 3
MAC 125A
MAC 250A
MAC 500A

TECHNICAL DATA

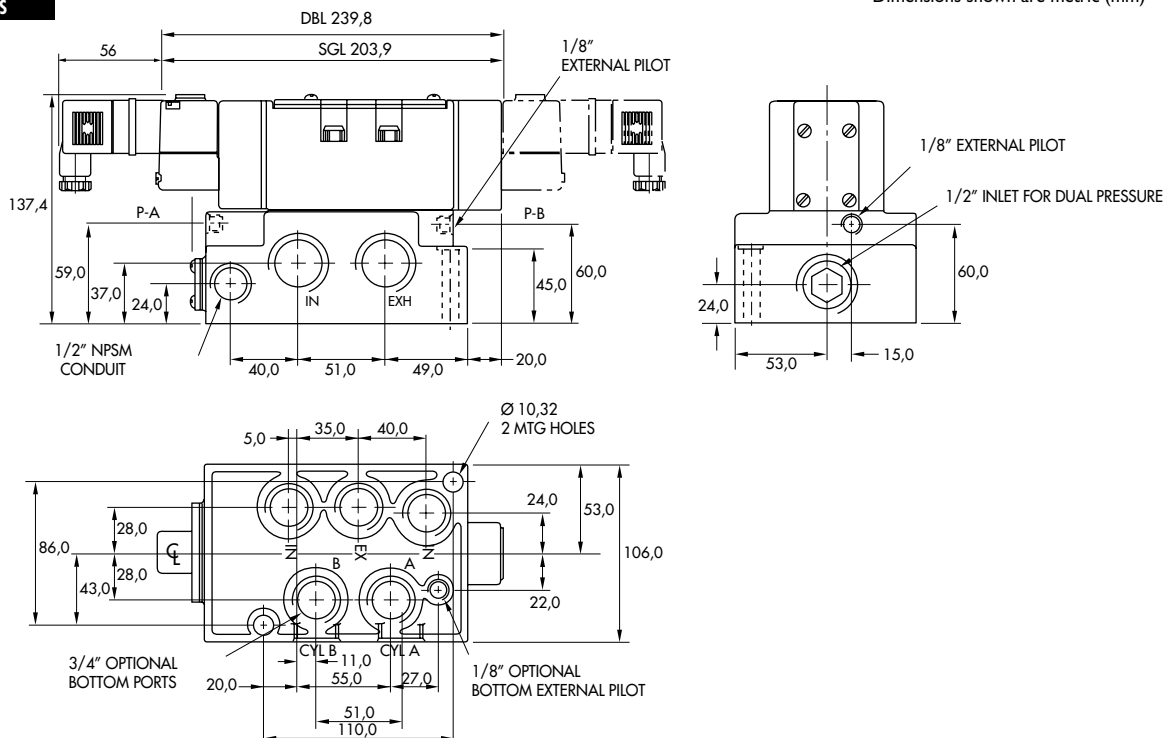
Fluid :	Compressed air, vacuum, inert gases		
Pressure range :	Internal pilot : single operator and 3 positions : 25-150 PSI	double operator : 10-150 PSI	
	External pilot : vacuum to 150 PSI		
Pilot pressure :	Single operator and 3 positions : 25-150 PSI Double operator : 10-150 PSI		
Lubrication :	Not required, if used select a medium aniline point lubricant (between 180°F to 210°F)		
Filtration :	40 µ		
Temperature range :	0°F to 120°F (-18°C to 50°C)		
Flow (at 6 bar, ΔP=1bar) :	3/4" : (9.0 C _v), 1" : (9.6 C _v)		
Coil :	Epoxy encapsulated - class A wires - Continuous duty		
Voltage range :	-15% to +10% of nominal voltage		
Protection :	Consult factory		
Power :	~ Inrush : 14.8 VA Holding : 10.9 VA = 1 to 17.1 W		
Response times :	24 VDC (8.5 W)	Energize : 18 ms	De-energize : 20 ms
	120/60	Energize : 15-25 ms	De-energize : 19-28 ms

- Spare parts :
- Solenoid operator (power ≥ 4 W) : D1-XXAA, cover mounting screws 35206 and seal 16234.
 - Pilot valve : PME-XXYZZ, including seal 16337. • Pressure seal between valve and base : 16436.
 - Mounting screw valve to base (x4) : 35416.

- Options :
- BSPP threads.

DIMENSIONS

Dimensions shown are metric (mm)



Function	Port size	Flow [Max]	Individual mounting	Series
4/2 - 4/3	3/4" - 1"	9.6 C_v	sub-base "plug-in"	

OPERATIONAL BENEFITS

- Balanced spool, immune to variations of pressure.
- Short stroke with high flow.
- High shifting forces.
- Checked accumulator guarantees maximum pilot pressure.
- Powerful return force thanks to the combination of mechanical and air springs.
- Bonded spool with minimum friction, shifting in a glass-like finished bore.
- Wiping effect eliminates sticking.
- Pilot valve with balanced poppet, high flow, short and consistent response times.

HOW TO ORDER

Port size	Pilot air	4/2 Single operator	4/2 Double operator	4/3 Closed center	4/3 Open center	4/3 Pressure center
Valve less base		6611A-000-PM- XXY DA	6621A-000-PM- XXY DA	6631A-000-PM- XXY DA	6641A-000-PM- XXY DA	6651A-000-PM- XXY DA
sub-base	Internal	6611A-211-PM- XXY DA	6621A-211-PM- XXY DA	6631A-211-PM- XXY DA	6641A-211-PM- XXY DA	6651A-211-PM- XXY DA
3/4" NPTF	External	6611A-221-PM- XXY DA	6621A-221-PM- XXY DA	6631A-221-PM- XXY DA	6641A-221-PM- XXY DA	6651A-221-PM- XXY DA
sub-base	Internal	6611A-311-PM- XXY DA	6621A-311-PM- XXY DA	6631A-311-PM- XXY DA	6641A-311-PM- XXY DA	6651A-311-PM- XXY DA
1" NPTF	External	6611A-321-PM- XXY DA	6621A-321-PM- XXY DA	6631A-321-PM- XXY DA	6641A-321-PM- XXY DA	6651A-321-PM- XXY DA

Note : Above codes shown are for side ports without lights.

SOLENOID OPERATOR ➤

XX Voltage		Y Manual operator	
11	120/60, 110/50	1	Non-locking
12	240/60, 220/50	2	Locking
22	24/60, 24/50		
59	24 VDC (2.5 W)		
87	24 VDC (17.1 W)		
61	24 VDC (8.5 W)		

* Other options available, see page 357.

OPTIONS

6611A-XXX-PM- XXY DA
- For piped pilot exhaust replace M by P.
- For dual pressure valve replace by 4 (no light), by 5 (sgl. light), by 6 (dbl. light).
- For lights on base, replace by 2 (sgl. light), by 3 (dbl. light).
- For lights on valve body, replace by 3.

MODIFICATIONS		
MOD. N°	DESCRIPTION	MODEL AVAILABILITY
0002	Bottom inlet, exh. & cyl ports (side ports plugged)	3/4" individual base
0004	Full side porting and additional bottom inlet, exh. & cyl ports	3/4" individual base
0112	Side inlet & exhaust with bottom cyl. ports (side cyl.ports plugged)	3/4" individual base

TO ORDER - Add the appropriate modification number after the valve number;
EXAMPLE : 6611A-211-PM-111DA **MOD 0002**



35
100
200
55
56
57
58
59
45
700
900
82
6300
6500
6600
1300
800
ISO 1
ISO 2
ISO 3
MAC 125A
MAC 250A
MAC 500A

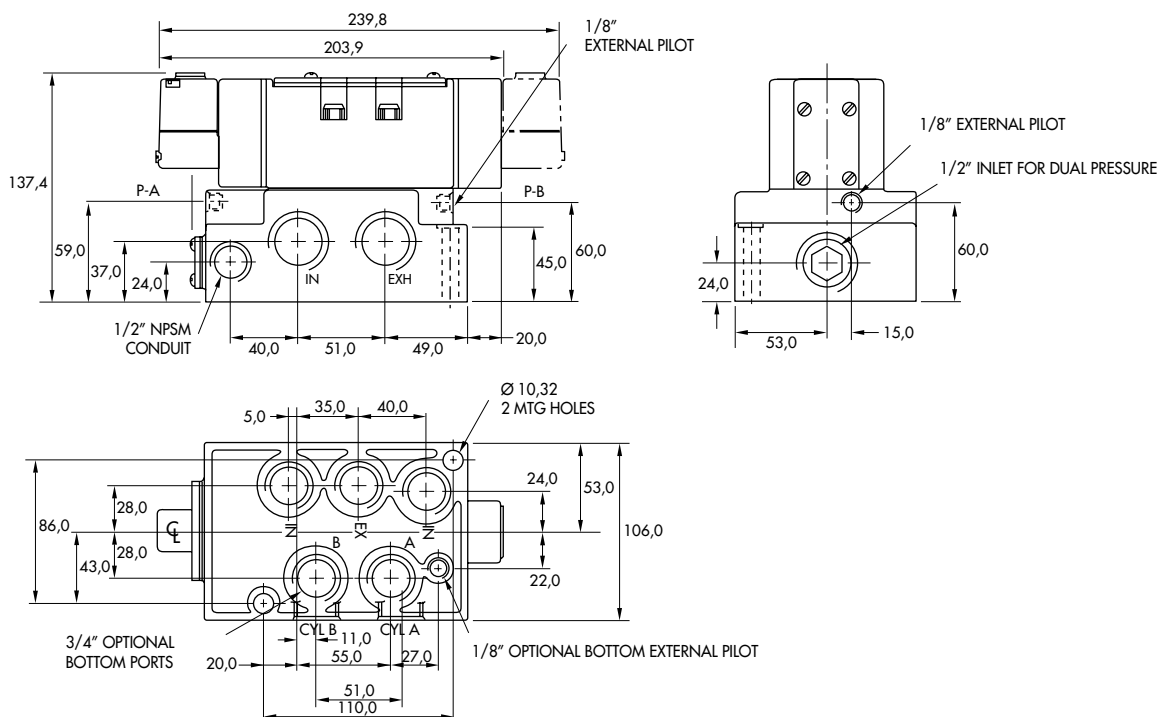
Note : 1. The valve less base is always the same for internal or external pilot. These options are effected in the base.
 2. Bottom ports : Refer to modification table.
 3. To order bases without the valve, choose the base from the above table, then add 6600A as a prefix. Example 6600A-211.
 4. 2 position and 3 position valve bodies are not interchangeable.

TECHNICAL DATA	
Fluid :	Compressed air, vacuum, inert gases
Pressure range :	Internal pilot : single operator and 3 positions : 25-150 PSI double operator : 10-150 PSI External pilot : vacuum to 150 PSI
Pilot pressure :	Single operator and 3 positions : 25-150 PSI Double operator : 10-150 PSI
Lubrication :	Not required, if used select a medium aniline point lubricant (between 180°F to 210°F)
Filtration :	40 µ
Temperature range :	0°F to 120°F (-18°C to 50°C)
Flow (at 6 bar, ΔP=1bar) :	3/4" : (9.0 C _v), 1" : (9.6 C _v)
Coil :	Epoxy encapsulated - class A wires - Continuous duty
Voltage range :	-15% to +10% of nominal voltage
Protection :	Consult factory
Power :	~ Inrush : 14.8 VA Holding : 10.9 VA = 1 to 17.1 W
Response times :	24 VDC (8.5 W) Energize : 18 ms De-energize : 20 ms 120/60 Energize : 15-25 ms De-energize : 19-28 ms

- Spare parts :
- Solenoid operator (power ≥ 4 W) : D1-XXBE, cover mounting screws 35206 and seal 16234.
 - Pilot valve : PME-XXYDA-BE, including seal 16337. • Pressure seal between valve and base : 16436.
 - Mounting screw valve to base (x4) : 35416.

- Options :
- BSPP threads.

DIMENSIONS Dimensions shown are metric (mm)



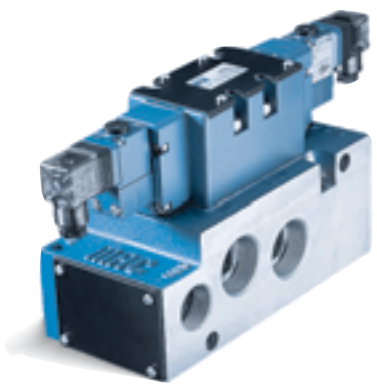
Function	Port size	Flow [Max]	Manifold mounting	Series
4/2 - 4/3	3/4" - 1" - 1 1/4"	9.6 C_v	sub-base non "plug-in"	

OPERATIONAL BENEFITS

- Balanced spool, immune to variations of pressure.
- Short stroke with high flow.
- High shifting forces.
- Checked accumulator guarantees maximum pilot pressure.
- Powerful return force thanks to the combination of mechanical and air springs.
- Bonded spool with minimum friction, shifting in a glass-like finished bore.
- Wiping effect eliminates sticking.
- Pilot valve with balanced poppet, high flow, short and consistent response times.

HOW TO ORDER

Port size	Pilot air	4/2 Single operator	4/2 Double operator	4/3 Closed center	4/3 Open center	4/3 Pressure center
Valve less base		6612A-000-PM- XXYZZ	6622A-000-PM- XXYZZ	6632A-000-PM- XXYZZ	6642A-000-PM- XXYZZ	6652A-000-PM- XXYZZ
sub-base	Internal	6612A-431-PM- XXYZZ	6622A-431-PM- XXYZZ	6632A-431-PM- XXYZZ	6642A-431-PM- XXYZZ	6652A-431-PM- XXYZZ
3/4" NPTF	External	6612A-441-PM- XXYZZ	6622A-441-PM- XXYZZ	6632A-441-PM- XXYZZ	6642A-441-PM- XXYZZ	6652A-441-PM- XXYZZ
sub-base	Internal	6612A-531-PM- XXYZZ	6622A-531-PM- XXYZZ	6632A-531-PM- XXYZZ	6642A-531-PM- XXYZZ	6652A-531-PM- XXYZZ
1" NPTF	External	6612A-541-PM- XXYZZ	6622A-541-PM- XXYZZ	6632A-541-PM- XXYZZ	6642A-541-PM- XXYZZ	6652A-541-PM- XXYZZ
sub-base	Internal	6612A-631-PM- XXYZZ	6622A-631-PM- XXYZZ	6632A-631-PM- XXYZZ	6642A-631-PM- XXYZZ	6652A-631-PM- XXYZZ
1 1/4" NPTF	External	6612A-641-PM- XXYZZ	6622A-641-PM- XXYZZ	6632A-641-PM- XXYZZ	6642A-641-PM- XXYZZ	6652A-641-PM- XXYZZ



35
100
200
55
56
57
58
59

Note : Above codes shown are for side ports.

SOLENOID OPERATOR ➤

XX Y ZZ*

XX Voltage	Y Manual operator	ZZ Electrical connection
11 120/60, 110/50	1 Non-locking	JB Rectangular connector
12 240/60, 220/50	2 Locking	JD Rectangular connector with light
22 24/60, 24/50		JA Square connector
59 24 VDC (2.5 W)		JC Square connector with light
87 24 VDC (17.1 W)		BA Flying leads (18")
61 24 VDC (8.5 W)		

* Other options available, see page 357.

OPTIONS

6612A-XXX-PM-**XXYDA**

- For piped pilot exhaust replace M by P.
- For dual pressure valve, replace by 4.

MODIFICATIONS		
MOD. N°	DESCRIPTION	MODEL AVAILABILITY
0210	1 1/4" Bottom inlet	Manifold base
0364	1 1/4" Bottom inlet, 3/4" or 1" Bottom cyl.	Manifold base
0112	Side inlet & exhaust with bottom cyl. ports (side cyl. ports plugged)	1" Manifold base

TO ORDER - Add the appropriate modification number after the valve number;

EXAMPLE : 6612A-431-PM-111JA **MOD 0364**

Note : Photo shown with JC connector.

Note : 1. The valve less base is always the same for internal or external pilot. These options are effected in the manifold.

- Bottom ports : Refer to modification table.
- To order manifolds without the valve, choose the manifold from the above table, then add 6600A as a prefix. Example 6600A-431.
- When ordering an external pilot connection for manifold bases, a common external pilot port is standard. One connection only is required for all the valves in the manifold whether single or double solenoid.
- 2 position and 3 position valve bodies are not interchangeable.

45
700
900
82
6300
6500
6600
1300
800
ISO 1
ISO 2
ISO 3
MAC 125A
MAC 250A
MAC 500A

TECHNICAL DATA

Fluid :	Compressed air, vacuum, inert gases		
Pressure range :	Internal pilot : single operator and 3 positions : 25-150 PSI	double operator : 10-150 PSI	
	External pilot : vacuum to 150 PSI		
Pilot pressure :	Single operator and 3 positions : 25-150 PSI Double operator : 10-150 PSI		
Lubrication :	Not required, if used select a medium aniline point lubricant (between 180°F to 210°F)		
Filtration :	40 µ		
Temperature range :	0°F to 120°F (-18°C to 50°C)		
Flow (at 6 bar, ΔP=1bar) :	3/4" : (9.0 C _v), 1" : (9.6 C _v), 1 1/4" : (9.6 C _v)		
Coil :	Epoxy encapsulated - class A wires - Continuous duty		
Voltage range :	-15% to +10% of nominal voltage		
Protection :	Consult factory		
Power :	~ Inrush : 14.8 VA	Holding : 10.9 VA	
	= 1 to 17.1 W		
Response times :	24 VDC (8.5 W)	Energize : 18 ms	De-energize : 20 ms
	120/60	Energize : 15-25 ms	De-energize : 19-28 ms

Spare parts :

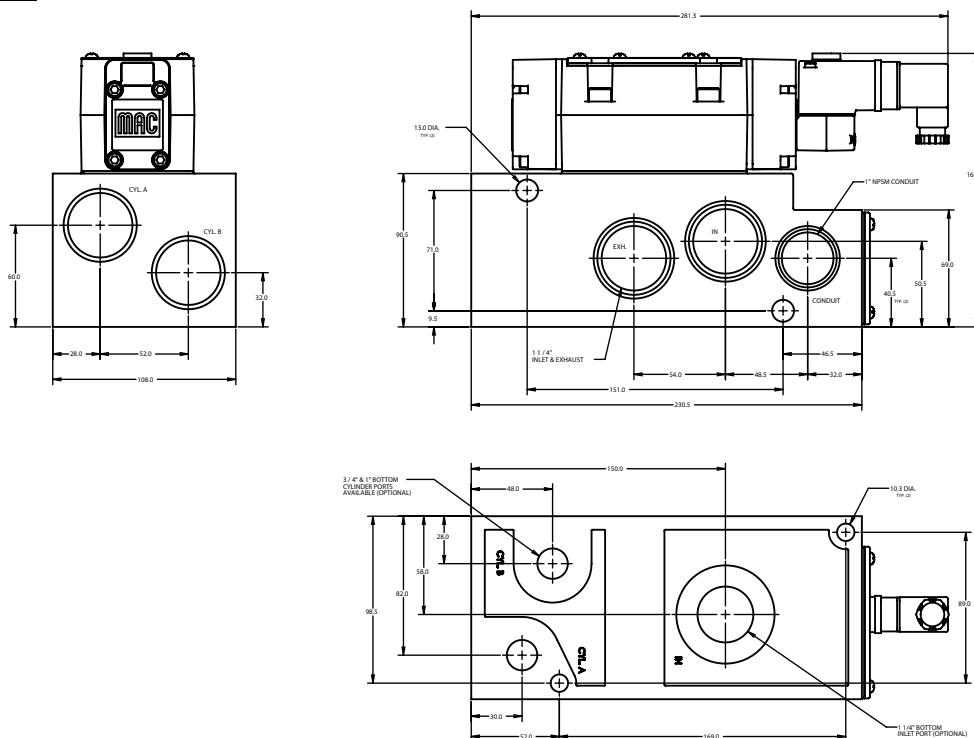
- Solenoid operator (power ≥ 4 W) : D1-XXAA, cover mounting screws 35206 and seal 16234.
- Pilot valve : PME-XXYZZ, including seal 16337. • Pressure seal between valve and base : 16436.
- Mounting screw valve to base (x4) : 35416. • Tie-rod (x2) : 19789. • Fastening kit : N-66002-01.
- Inlet & exhaust isolator : 28367.

Options :

- BSPP threads.

DIMENSIONS

Dimensions shown are metric (mm)

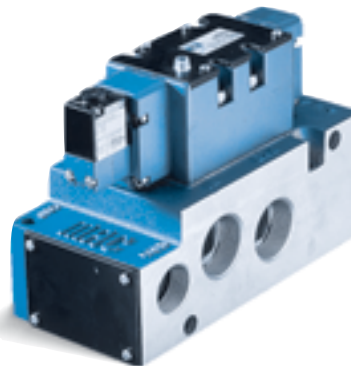


Function	Port size	Flow (Max)	Manifold mounting	Series
4/2 - 4/3	3/4" - 1" - 1 1/4"	9.6 C_v	sub-base "plug-in"	

OPERATIONAL BENEFITS

- Balanced spool, immune to variations of pressure.
- Short stroke with high flow.
- High shifting forces.
- Checked accumulator guarantees maximum pilot pressure.
- Powerful return force thanks to the combination of mechanical and air springs.
- Bonded spool with minimum friction, shifting in a glass-like finished bore.
- Wiping effect eliminates sticking.
- Pilot valve with balanced poppet, high flow, short and consistent response times.

HOW TO ORDER



35
100
200
55
56
57
58
59

Port size	Pilot air	4/2 Single operator	4/2 Double operator	4/3 Closed center	4/3 Open center	4/3 Pressure center
Valve less base		6611A-000-PM- XXY DA	6621A-000-PM- XXY DA	6631A-000-PM- XXY DA	6641A-000-PM- XXY DA	6651A-000-PM- XXY DA
sub-base	Internal	6611A-411-PM- XXY DA	6621A-411-PM- XXY DA	6631A-411-PM- XXY DA	6641A-411-PM- XXY DA	6651A-411-PM- XXY DA
3/4" NPTF	External	6611A-421-PM- XXY DA	6621A-421-PM- XXY DA	6631A-421-PM- XXY DA	6641A-421-PM- XXY DA	6651A-421-PM- XXY DA
sub-base	Internal	6611A-511-PM- XXY DA	6621A-511-PM- XXY DA	6631A-511-PM- XXY DA	6641A-511-PM- XXY DA	6651A-511-PM- XXY DA
1" NPTF	External	6611A-521-PM- XXY DA	6621A-521-PM- XXY DA	6631A-521-PM- XXY DA	6641A-521-PM- XXY DA	6651A-521-PM- XXY DA
sub-base	Internal	6611A-611-PM- XXY DA	6621A-611-PM- XXY DA	6631A-611-PM- XXY DA	6641A-611-PM- XXY DA	6651A-611-PM- XXY DA
1 1/4" NPTF	External	6611A-621-PM- XXY DA	6621A-621-PM- XXY DA	6631A-621-PM- XXY DA	6641A-621-PM- XXY DA	6651A-621-PM- XXY DA

45
700
900

Note : Above codes shown are for side cylinder ports without lights.

SOLENOID OPERATOR ▶

XX Y DA*

XX Voltage	Y Manual operator
11 120/60, 110/50	1 Non-locking
12 240/60, 220/50	2 Locking
22 24/60, 24/50	
59 24 VDC (2.5 W)	
87 24 VDC (17.1 W)	
61 24 VDC (8.5 W)	

82
6300

* Other options available, see page 357.

OPTIONS

6611A-XXX-PM- XXY DA	- For piped pilot exhaust replace M by P.	- For dual pressure valve replace by 4 (no light), by 5 (sgl. light), by 6 (dbl. light).
	- For lights on valve body, replace by 3.	- For lights on manifold, replace by 2 (sgl. light), by 3 (dbl. light).

6500
6600
1300

MOD. N°	DESCRIPTION	MODEL AVAILABILITY
0210	1 1/4" Bottom inlet	Manifold base
0364	1 1/4" Bottom inlet, 3/4" or 1" Bottom cyl.	Manifold base
0112	Side inlet & exhaust with bottom cyl. ports (side cyl.ports plugged)	1" Manifold base

TO ORDER - Add the appropriate modification number after the valve number;
EXAMPLE : 6611A-411-PM-111DA **MOD 0364**

- Note :
- The valve less base is always the same for internal or external pilot. These options are effected in the manifold.
 - Bottom ports : Refer to modification table.
 - To order manifolds without the valve, choose the manifold from the above table, then add 6600A as a prefix. Example 6600A-411.
 - When ordering an external pilot connection for manifold bases, a common external pilot port is standard. One connection only is required for all the valves in the manifold whether single or double solenoid.
 - 2 position and 3 position valve bodies are not interchangeable.

800
ISO 1
ISO 2
ISO 3
MAC 125A
MAC 250A
MAC 500A

Consult "Precautions" page 364 before use, installation or service of MAC Valves

TECHNICAL DATA

Fluid :	Compressed air, vacuum, inert gases		
Pressure range :	Internal pilot : single operator and 3 positions : 25-150 PSI	double operator : 10-150 PSI	
	External pilot : vacuum to 150 PSI		
Pilot pressure :	Single operator and 3 positions : 25-150 PSI Double operator : 10-150 PSI		
Lubrication :	Not required, if used select a medium aniline point lubricant (between 180°F to 210°F)		
Filtration :	40 μ		
Temperature range :	0°F to 120°F (-18°C to 50°C)		
Flow (at 6 bar, ΔP=1bar) :	3/4" : (9.0 C _v), 1" : (9.6 C _v), 1 1/4" : (9.6 C _v)		
Coil :	Epoxy encapsulated - class A wires - Continuous duty		
Voltage range :	-15% to +10% of nominal voltage		
Protection :	Consult factory		
Power :	~ Inrush : 14.8 VA	Holding : 10.9 VA	
	= 1 to 17.1 W		
Response times :	24 VDC (8.5 W)	Energize : 18 ms	De-energize : 20 ms
	120/60	Energize : 15-25 ms	De-energize : 19-28 ms

Spare parts :

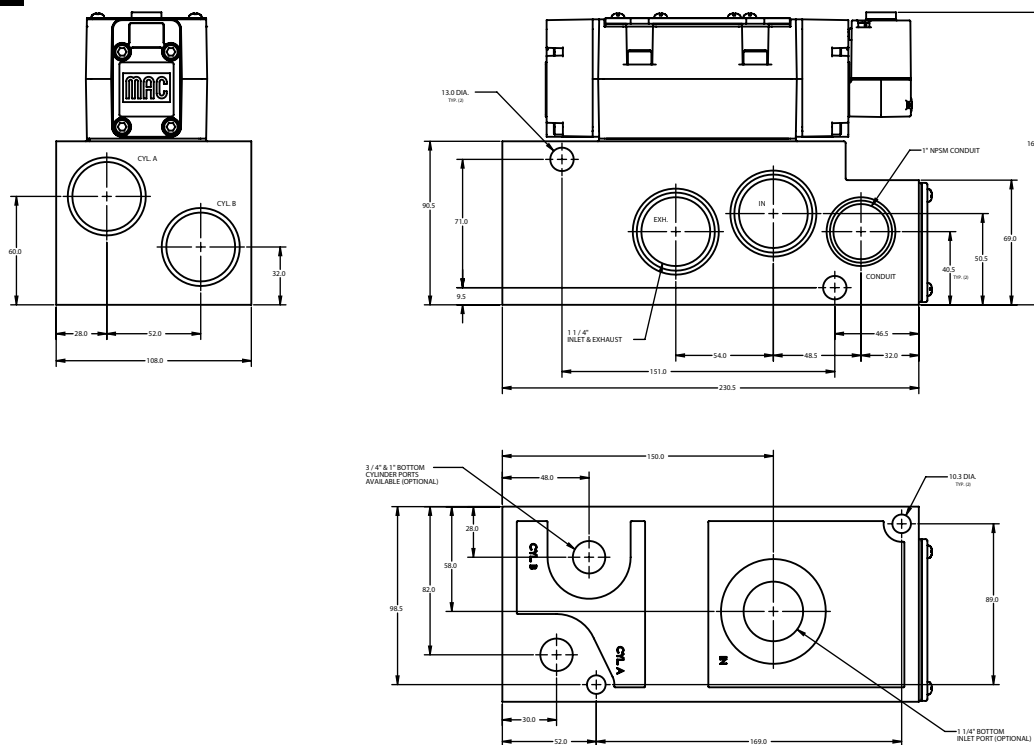
- Solenoid operator (power ≥ 4 W) : D1-XXBE, cover mounting screws 35206 and seal 16234.
- Pilot valve : PME-XXYDA-BE, including seal 16337. • Pressure seal between valve and base : 16436.
- Mounting screw valve to base (x4) : 35416. • Tie-rod (x2) : 19789. • Fastening kit : N-66002-01.
- Inlet & exhaust isolator : 28367.

Options :

- BSPP threads.

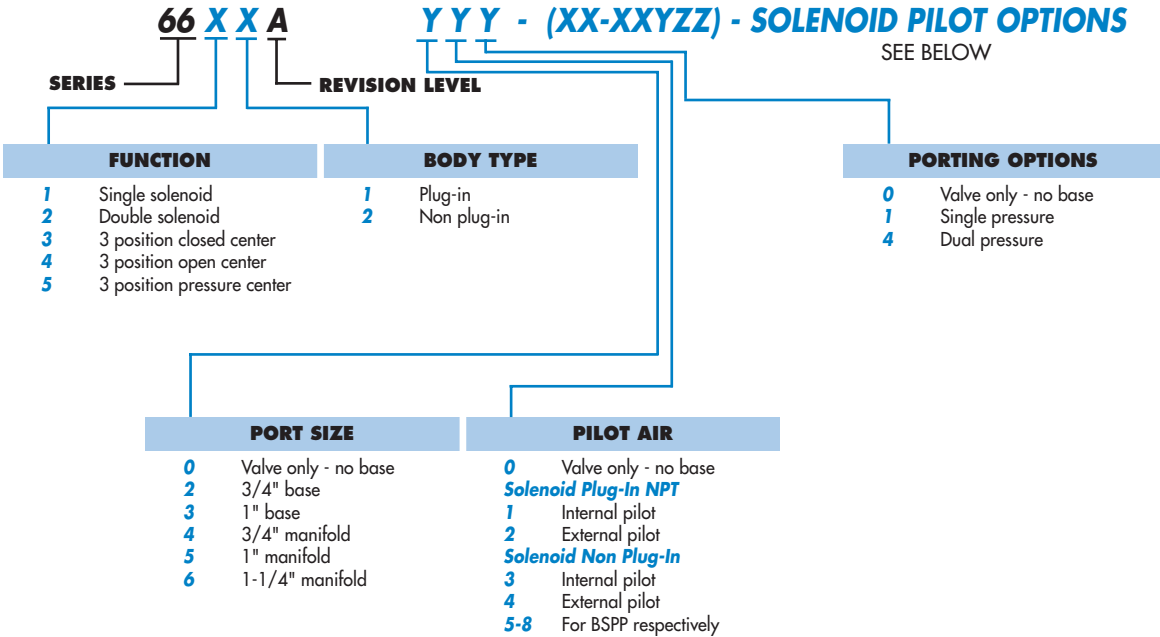
DIMENSIONS

Dimensions shown are metric (mm)

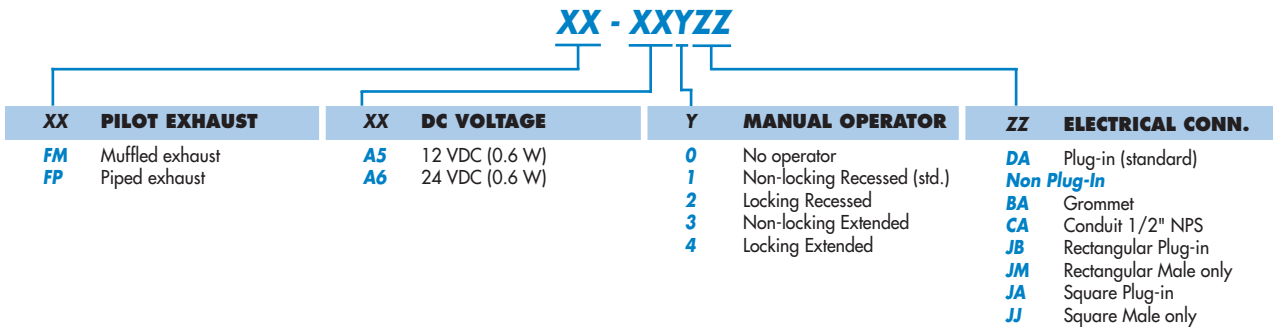


HOW TO ORDER

BODY/BASE OPTIONS



PILOT VALVE OPTIONS



- NOTE:**
1. The valve less base is always the same for internal or external pilot. These options are effected in the base or manifold.
 2. Bottom ports: Refer to modification table below.
 3. When ordering an external pilot connection for manifold bases, a common external pilot port is standard. One connection only is required for all the valves in the manifold whether single or double solenoid.
 4. Manifold Accessories: Inlet & Exhaust Isolator #28367.

MODIFICATIONS

MOD. NO.	DESCRIPTION	MODEL AVAILABILITY
0002	Bottom inlet, exhaust, & cylinder ports (no side ports)	Available on individual base 3/4" only
0004	Full side porting and additional bottom inlet, exhausts, and cylinder ports	Available on individual base 3/4" only
0112	Side inlet & exhaust with bottom cylinder ports (no end cylinder ports)	3/4" individual base & 3/4" & 1" manifold base
0210	1-1/4" bottom inlet	Manifold base
0364	1-1/4" bottom inlet & 3/4" or 1" bottom cyl.	Manifold base

TO ORDER Add the appropriate modification number after the valve number, **EXAMPLE :** 6611A-211-FM451DA **MOD 0002.**

Codification table for voltages / Manual operator / Electrical connection / Wire length

VALVE CODE ► **- XX Y ZZ (-VV)**
1 2 3 4

OPTIONS AVAILABLE FOR	OPTIONS AVAILABLE FOR
<ul style="list-style-type: none"> - valves type 100 Series - pilot valves "CNOMO" 	<ul style="list-style-type: none"> - valves type 200 Series
<ul style="list-style-type: none"> - Pilot operated valves with pilots type 100 Series Series : 55 - 56 - 700 - 800 - 900 <li style="padding-left: 20px;">- 6300 - 6500 - 6600 - 1300 <li style="padding-left: 20px;">- ISO 1 - ISO 2 - ISO 3. <li style="padding-left: 20px;">- MAC 125 - MAC 250 - MAC 500 	<ul style="list-style-type: none"> - pilot operated valves with pilots type 200 Series Series : 200 - 57 - 58 - 59.
<ul style="list-style-type: none"> - Pilot operated valves with pilots "CNOMO" Series : ISO1 - ISO2 - ISO3 	

Used on valve series: 100, 55, 56, 700, 800, 900, 6300, 6500, 6600, 1300, MVA1C, MVA2B, MVA3B, MAC125, MAC250, MAC500.

Used on valve series: 200, 57, 58, 59.

1. VOLTAGE (100 Serie type coil)		1. VOLTAGE (200 Serie type coil)	
- XX Y ZZ	VOLTAGE	- XX Y ZZ	VOLTAGE
11	120/60, 110/50	11	120/60, 110/50, 24 VDC (6 W)
12	240/60, 220/50	12	240/60, 220/50
13	100/60, 100/50	13	100/60, 100/50
15	200/60, 200 /50	14	200/60, 200/50
16	10/60	20	6/60
20	6/60	21	12/60
21	12/50, 12/60	22	24/60, 24/50
22	24/60, 24/50	23	32/60, 32/50
23	32/60, 32/50	24	48/60, 42/50
24	48/60, 42/50	25	240/50
26*	380/50, 440/50, 440/60, 480/60	26	480/60, 440/50
29	220/60	27	127/60
34	127/50, 120/50	28	415/50
35	48/50	29	220/60
36	16/60	30	380/50
B1	24/50	31	550/60, 550/50
50	24 VDC (6 W)	32	120/60, 110/50
51	24 VDC (4 W)	33	600/60
54	12 VDC (4 W)	34	127/50
55	12 VDC (6 W)	35	48/50
57	12 VDC (2.5 W)	50	24 VDC (6 W)
59	24 VDC (2.5 W)	51	24 VDC (4.5 W)
60	12 VDC (8.5 W)	52	24 VDC (2.5 W)
61	24 VDC (8.5 W)	53	24 VDC (1.0 W)
64	6 VDC (6 W)	55	12 VDC (6 W)
65	32 VDC (7 W)	57	12 VDC (2.5 W)
66	48 VDC (5.8 W)	58	48 VDC (2.5 W)
67	64 VDC (7.5 W)	60	12 VDC (9.5 W)
68	120 VDC (6.4 W)	61	24 VDC (8.5 W)
69*	220 VDC (8.7 W), 250 VDC (11.2 W)	64	6 VDC (8.5 W)
75	90 VDC (8.8 W)	65	32 VDC (10 W)
76*	100 VDC (6.9 W)	66	48 VDC (11.5 W)
84*	125 VDC (10.9 W)	67	64 VDC (10.5 W)
87*	24 VDC (17.1 W)	68	120 VDC (12.3 W)
88*	12 VDC (17.4 W)	69	250 VDC (9.2 W)
89*	36 VDC (18.8 W)	71	8 VDC (8.2 W)
90	28 VDC (8.2 W)	72	24 VDC (12 W)
91*	6 VDC (10.6 W)	73	198 VDC (10 W)
92	190 VDC (6.5 W)	74	72 VDC (11.3 W)
94	3 VDC (7 W)	75	90 VDC (11.3 W)
95	38 VDC (6.4 W)	76	100 VDC (9 W)
A1	24 VDC (1 W)	77	220 VDC (10 W), 230 VDC (11.6 W)
A2	12 VDC (1 W)	78*	24 VDC (24 W)
A3	9 VDC (1 W)	80	55 VDC (10.6 W)
		82	170 VDC (11.1 W)
		83	15 VDC (8.1 W)
		84	125 VDC (10 W)
		86	36 VDC (11 W)
		93*	12 VDC (24 W)

MOD. DD01 : Protection diode (DC) - MAX. 8.5W

MOD. MOV1 : Protection varistor (AC) - MAX. 8.5W

* Voltages are CLSF only

2. MANUAL OPERATOR (Common options for 100 & 200 Series type coils)

- XX Y ZZ	MANUAL OPERATOR
0	No operator
1	Non-locking recessed
2	Locking recessed
3	Non-locking extended
4	Locking extended

5*	No Operator with Light
6*	Non-Locking Recessed with Light
7*	Locking Recessed with Light
8*	Non-Locking Extended with Light
9*	Locking Extended with Light

* Lights used with "AA" electrical connection

3. ELECTRICAL CONNECTION (100 Serie type coil)

- XX Y ZZ	ELECTRICAL CONNECTION
AA	Wiring box with 1/2" NPS conduit
BA	Flying leads
CA	1/2" NPS conduit
CC	1/2" NPT conduit
FA	Military type 2 PIN
GA	Military type 3 PIN
HA	AA with ground wire
JA*	Square connector
JB	Rectangular connector
JC*	Square connector with light
JD	Rectangular connector with light
JE	Square connector on top (ISO2, ISO3)
JF	Rectangular connector on top (ISO1, ISO2, ISO3)
JG	JE with light
JH	JF with light
JJ	Square connector, male only
JM	Rectangular connector, male only
MA	Electrical common conduit (100 Series-Manifold/900 Series)
MB	Electrical common conduit (100 Series-Stacking/700 Series)
NA	CA with ground wire
NC	CC with ground wire
RA	3/8" NPS conduit

* Not to be used with 100, 800 and 900 Series manifold mounting

3. ELECTRICAL CONNECTION (200 Serie type coil)

- XX Y ZZ	ELECTRICAL CONNECTION
AA	Wiring box with 1/2" NPS conduit
BA	Flying leads
CA	1/2" NPS conduit
CC	1/2" NPT conduit
EA	Explosion proof (200 Series)
EA	Explosion proof (57, 58 & 59 Series)
FA	Military type 2 PIN
GA	Military type 3 PIN
HA	AA with ground wire
JA*	Square connector
JC	Square connector with light
JJ	Square connector, male only
NA	CA with ground wire
NC	CC with ground wire

4. COIL WIRE LENGTH (Common options for 100 & 200 Serie type coils)

- XX Y ZZ (-VV)	WIRE LENGTH
AA	18"
AB	24"
AD	36"
AE	48"
AF	72"
AG	6"
AR	12"
AU	120"
BA	60"
BB	144"
Series 6000 : wire length, from the base	
MOD L024	24"
MOD L036	36"
MOD L048	48"
MOD L060	60"
MOD L072	72"
MOD L120	120"