

Individual mounting

sub-base	
----------	--

Manifold mounting

sub-base	
----------	--

Series

**1100**

**55**

**56**

**57**

**58**

**59**

**700**

**900**

**82**

**6300**

**6500**

**6600**

**2700**

**1800**

**ISO 1**

**ISO 2**

**ISO 3**

Function	Port size	Flow (Max)	Individual mounting	Series
<b>4/2 - 4/3</b>	<b>1/8" - 1/4" - 3/8"</b>	<b>1.35 C<sub>v</sub></b>	sub-base	

### OPERATIONAL BENEFITS

1. Balanced spool, immune to variations of pressure.
2. Short stroke with high flow.
3. The piston (booster) provides maximum shifting forces.
4. Powerful return thanks to the combination of mechanical and air springs.
5. Bonded spool with minimum friction, shifting in a glass-like finished bore.
6. Wiping effect eliminates sticking.
7. Low leakage rate.



1100  
55  
56  
57  
58  
59

### HOW TO ORDER

Port size	4/2 Single operator	4/2 Double operator	4/3 Closed center	4/3 Open center	4/3 Pressure center
<b>Valve less base</b>	82A-AB-000-RA	82A-BB-000-RA	82A-EB-000-RA	82A-FB-000-RA	82A-GB-000-RA
<b>Sub-base 1/8" NPTF</b>	82A-AB-AAA-RA	82A-BB-AAD-RA	82A-EB-AAD-RA	82A-FB-AAD-RA	82A-GB-AAD-RA
<b>Sub-base 1/4" NPTF</b>	82A-AB-BAA-RA	82A-BB-BAD-RA	82A-EB-BAD-RA	82A-FB-BAD-RA	82A-GB-BAD-RA
<b>Sub-base 3/8" NPTF</b>	82A-AB-CAA-RA	82A-BB-CAD-RA	82A-EB-CAD-RA	82A-FB-CAD-RA	82A-GB-CAD-RA

700  
900

### OPTIONS

82A-AB-000-RA

- For dual pressure valves, replace A by C, B by D, E by M, F by L, G by H.

82

6300  
6500  
6600  
2700  
1800  
ISO 1  
ISO 2  
ISO 3

### TECHNICAL DATA

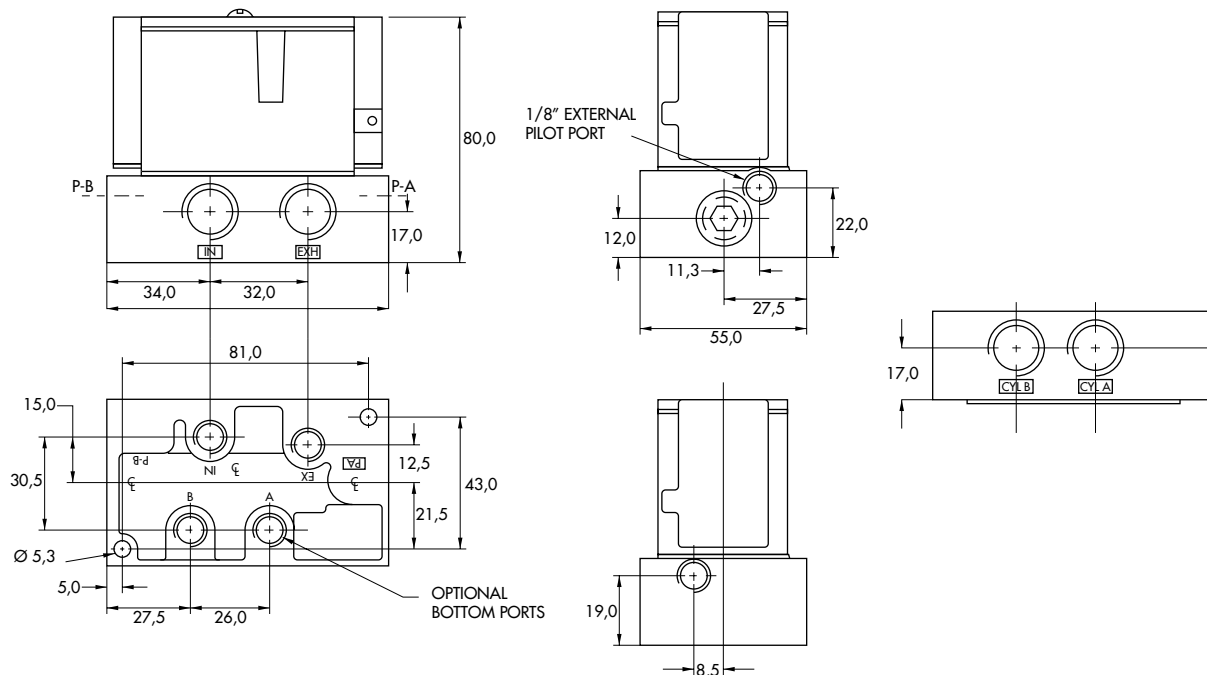
<b>Fluid :</b>	Compressed air, vacuum, inert gases
<b>Pressure range :</b>	Vacuum to 150 PSI
<b>Air signal pressure :</b>	Single operator and 3 positions : 25 to 150 PSI $\geq$ main valve pressure      Double operator : 10 to 150 PSI
<b>Lubrication :</b>	Not required, if used select a medium aniline point lubricant (between 180°F to 210°F)
<b>Filtration :</b>	40 $\mu$
<b>Temperature range :</b>	0°F to 120°F (-18°C to 50°C)
<b>Flow (at 6 bar, <math>\Delta P=1\text{bar}</math>) :</b>	1/8" : (0.9 C <sub>v</sub> ), 1/4" : (1.3 C <sub>v</sub> ), 3/8" : (1.35 C <sub>v</sub> )

Spare parts :      • Remote air adapter assy.: R-82003.

Options :            • BSPP threads.

### DIMENSIONS

Dimensions shown are metric (mm)



Function	Port size	Flow [Max]	Manifold mounting	Series
<b>4/2 - 4/3</b>	<b>1/4" - 3/8"</b>	<b>1.35 C<sub>v</sub></b>	sub-base	

### OPERATIONAL BENEFITS

1. Balanced spool, immune to variations of pressure.
2. Short stroke with high flow.
3. The piston (booster) provides maximum shifting forces.
4. Powerful return thanks to the combination of mechanical and air springs.
5. Bonded spool with minimum friction, shifting in a glass-like finished bore.
6. Wiping effect eliminates sticking.
7. Low leakage rate.



1100  
55  
56  
57  
58  
59

### HOW TO ORDER

Port size	Pilot air	4/2 Single operator	4/2 Double operator	4/3 Closed center	4/3 Open center	4/3 Pressure center
<b>Valve less base</b>	Internal only	82A-AB-000-TM-RA11	82A-BB-000-TM-RA11	82A-EB-000-TM-RA11	82A-FB-000-TM-RA11	82A-GB-000-TM-RA11
<b>Sub-base</b>	Internal	82A-AB-BKA-TM-RA11	82A-BB-BKA-TM-RA11	82A-EB-BKA-TM-RA11	82A-FB-BKA-TM-RA11	82A-GB-BKA-TM-RA11
<b>1/4" NPTF</b>	External	82A-AB-BKD-TM-RA11	82A-BB-BKD-TM-RA11	82A-EB-BKD-TM-RA11	82A-FB-BKD-TM-RA11	82A-GB-BKD-TM-RA11
<b>Sub-base</b>	Internal	82A-AB-CKA-TM-RA11	82A-BB-CKA-TM-RA11	82A-EB-CKA-TM-RA11	82A-FB-CKA-TM-RA11	82A-GB-CKA-TM-RA11
<b>3/8" NPTF</b>	External	82A-AB-CKD-TM-RA11	82A-BB-CKD-TM-RA11	82A-EB-CKD-TM-RA11	82A-FB-CKD-TM-RA11	82A-GB-CKD-TM-RA11

700  
900

82

### OPTIONS

82A-AB-000-TM-RA11

— For dual pressure valves, replace A by C, B by D, E by M, F by L, G by H.

Manifold fastening kit : N-82005-01.

6300  
6500  
6600  
2700  
1800  
ISO 1  
ISO 2  
ISO 3

### TECHNICAL DATA

<b>Fluid :</b>	Compressed air, vacuum, inert gases
<b>Pressure range :</b>	Vacuum to 150 PSI
<b>Air signal pressure :</b>	Single operator and 3 positions : 25 to 150 PSI    Double operator : 10 to 150 PSI
<b>Lubrication :</b>	Not required, if used select a medium aniline point lubricant (between 180°F to 210°F)
<b>Filtration :</b>	40 μ
<b>Temperature range :</b>	0°F to 120°F (-18°C to 50°C)
<b>Flow (at 6 bar, ΔP=1bar) :</b>	1/4" : (1.3 C <sub>v</sub> ), 3/8" : (1.35 C <sub>v</sub> )

Spare parts :            • Remote air operated pilot : TM-RA11.

Options :                 • BSPP threads.

### DIMENSIONS

Dimensions shown are metric (mm)

