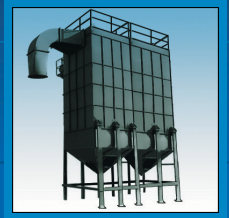


MAC

V A L V E S

DUST COLLECTION SOLUTIONS



MAC[®] PULSE VALVES



MAC Design Advantage

- High Flow / Long Life / Low Leak / Balanced Spool Design
- Drop-in Mounting - Without Disturbing Existing Piping
- Fast/Repeatable Response Times for Quick and Accurate Purges
- Optimized for Reliable Performance in Harsh Environmental Conditions
- Bonded Spool Technology - Self Cleaning Bore

Industry Specific Features

- Wide Range of Seals (Nitrile, Viton[®] and Proprietary Compounds)
- Environmentally Sealed for Wash Down Environments
- Remote Bleed and Integral Solenoid Pilot Available (AC & DC Voltage)

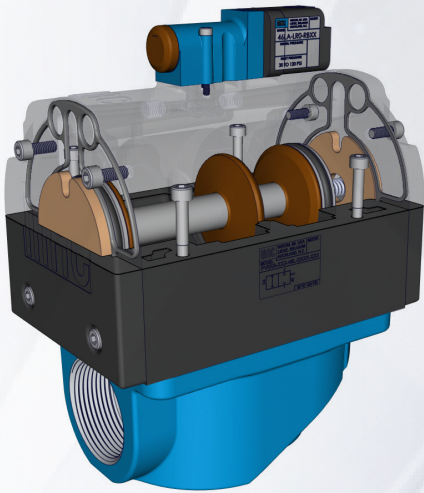


Valves That Don't StickSM

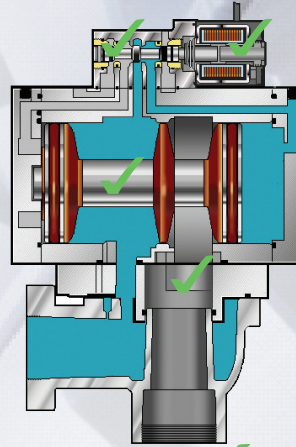


DUST COLLECTION SOLUTIONS

MAC PULSE VALVE

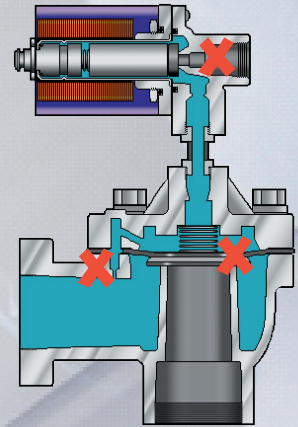


MAC Design



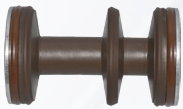
- ✓ **D-Seal Technology**
Isolates Solenoid
- Longer Life -
- ✓ **Dynamic Bonded Rubber Spool**
- Balanced -
- Wiping Action -
- ✓ **Lifting Solenoid**
- Consistent Response -
- ✓ **Adapter Plate**
- Drop-in Replacement to Existing Manifold -

vs. Competition Design



- ✗ Contaminated Air Passes Through Unbalanced Solenoid
- Sticking & Burnout -
- ✗ Small Fixed Orifice
- Blocked By Contaminants -
- ✗ Diaphragm Ruptures
- Air Leaks -

MAC Spool Design



- + 10 Million Cycles = Longer Life
- Wiping Action = Self Cleaning
- Balanced Design = Repeatable Purges
- No Ruptured Diaphragms = Less Wasted Air
- Viton Rubber = Harsh Environments

Diaphragm Design



- 1 Million Cycles = Short Life
- Cracking and Leaking = Wasted Air
- Constant Maintenance Required = High Cost of Ownership

MAC Technology Improved Filter Cleaning per Pulse

- ✓ Pulse time frequency optimization - Enhanced bag life
- ✓ Drop-in mounting: Adapter plates available without disturbing existing piping
- ✓ Balanced spool & pilot design: Unaffected by pressure variations
- ✓ Very fast & repeatable response times
- ✓ Long life: Spool technology
- ✓ Energy savings - Less consumption of air



MAC Valves - Highly engineered solutions for the highest performing applications since 1948



MAC Valves, Inc. Wixom, Michigan - MAC Valves, Inc. Dundee, Michigan - MAC Valves Europe, Inc. Liège, Belgium - MAC Valves Asia, Inc. Taiwan

To find your local distributor, visit www.macvalves.com

