

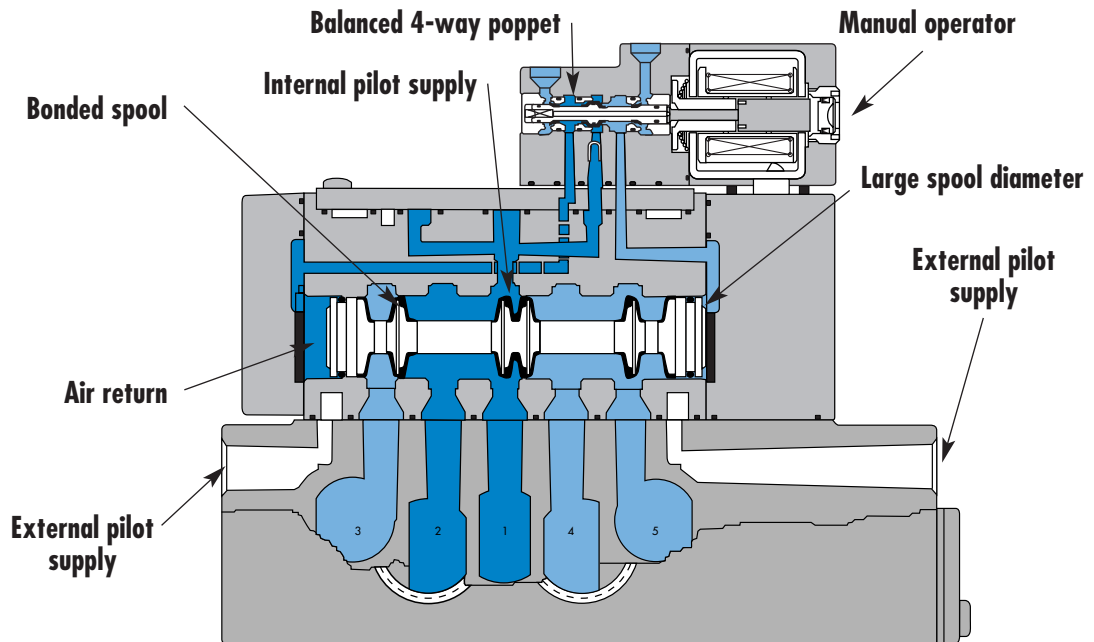
Individual mounting

Valve only - No base non "plug-in" Conform to ISO 5599/1	Valve only - No base "plug-in" Conform to ISO 5599/2
--	--

Series

Manifold mounting

Valve only - No base non "plug-in" Conform to ISO 5599/1	Valve only - No base "plug-in" Conform to ISO 5599/2
--	--



33
34
36
32
37
38
52
67
69
44
46
42
47
48P
48
400
92
93
ISO 01
ISO 02
ISO 1
ISO 2
ISO 3

SERIES FEATURES

- Plug-in (5599/2) and non plug-in (5599/1) models.
- 2-position, single or double operator. (Solenoid or Remote Air)
- 3-position, double solenoid, open center, closed center, and pressure center.
- Extended or recessed manual operators.
- Single pressure and dual pressure.
- Individual base or add-a-unit manifold base.
- Plug-in, sandwich, single and dual pressure regulators for both individual and manifold valves.

Function	Port size	Flow [Max]	Individual/Manifold mounting	Series
5/2, 5/3	3/8" - 1/2"	3.0 C_v	Valve only - No base non "plug-in" Conform to ISO 5599/1	

OPERATIONAL BENEFITS

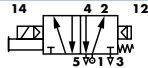
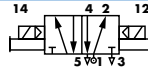
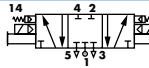
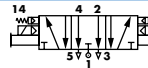
1. Unique patented Macsolenoid® for fastest possible response times and virtually burn-out proof AC solenoid operation.
2. Balanced poppet 4-way pilot valve provides maximum shifting forces, precise repeatability and consistent operation.
3. MAC spool and bore combination wipes away contamination, eliminates sticking and allows for use on non-lube service.
4. Large spool area for maximum shifting forces even at minimum operating pressure.
5. Very high flow in a compact package.
6. Plug-in design of valves, bases and regulators for modular assembly and ease of maintenance.
7. Internal or external pilot operation. Manifolds supplied with common external pilot.
8. Air only return. Optional memory spring is also available.
9. Optional low wattage DC solenoid down to 1.0 watt.



33
34
36
32
37
38
52
67
69
44

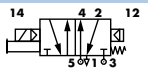
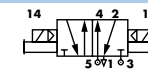
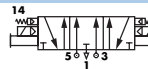
HOW TO ORDER

SINGLE PRESSURE MODELS

Pilot air	5/2 Single operator	5/2 Double operator	5/3 Closed center	5/3 Open center
Internal	 MV-B2A-AAAA-DM-Dxxx-xxx	 MV-B2A-ABAA-DM-Dxxx-xxx	 MV-B2A-AEAA-DM-Dxxx-xxx	 MV-B2A-AFAA-DM-Dxxx-xxx
External "12" end	MV-B2A-AAAB-DM-Dxxx-xxx	MV-B2A-ABAB-DM-Dxxx-xxx	MV-B2A-AEAB-DM-Dxxx-xxx	MV-B2A-AFAB-DM-Dxxx-xxx

46
42

DUAL PRESSURE MODELS

Pilot air	5/2 Single operator	5/2 Double operator	5/3 Pressure center
Internal pilot From port #3	 MV-B2A-ACAD-DM-Dxxx-xxx	 MV-B2A-ADAD-DM-Dxxx-xxx	 MV-B2A-AGAD-DM-Dxxx-xxx
Internal pilot From port #5	MV-B2A-ACAE-DM-Dxxx-xxx	MV-B2A-ADAE-DM-Dxxx-xxx	MV-B2A-AGAE-DM-Dxxx-xxx
External pilot From "12" end	MV-B2A-ACAB-DM-Dxxx-xxx	MV-B2A-ADAB-DM-Dxxx-xxx	MV-B2A-AGAB-DM-Dxxx-xxx

47
48P
48
400

SOLENOID OPERATOR ▶

DM-D **XXX-XXX***

XX Voltage	X Lead wire length	X Manual operator	XX Electrical connection
JA 110/50, 120/60	A 18" (Flying leads)	1 Non-locking recessed	KA Square connector
JB 220/50, 240/60	B 24" (Flying leads)	2 Locking recessed	KD Square connector with light
JC 24/50, 24/60	J Connector		JB Rectangular connector
FB 24 VDC (1.8W)			JD Rectangular connector with light
DA 24 VDC (5.4W)			BA Flying leads
DF 24 VDC (12.7W)			

92

ISO 01

ISO 02

ISO 1

ISO 2

ISO 3

* Other options available, see page 309.

Note: ISO series, valve and base are ordered separately, see page 235 for base code.

OPTIONS

Valve function :

MV-B2A-**AXXX-XX-Dxxx-xxx**

- J** for single operator universal spool (ext. pilot only)
- K** for double operator universal spool (ext. pilot only)

Pilot style :

MV-B2A-**AXXX-DM-Dxxx-xxx**

- DM** Pilot exhaust muffled
- DP** Pilot exhaust piped (#10-32)

Spool return :

MV-B2A-**AXXX-XX-Dxxx-xxx**

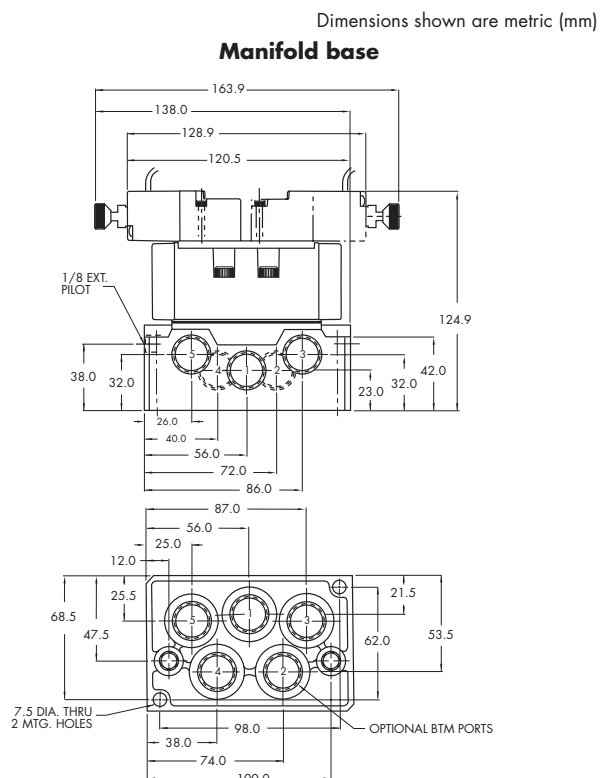
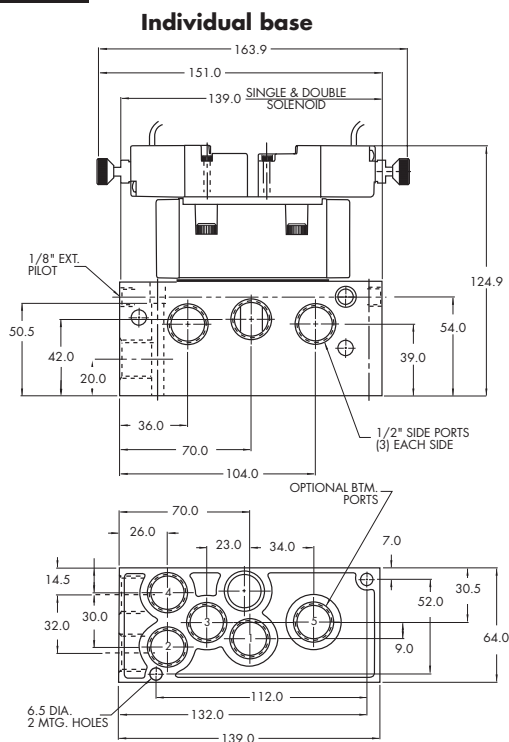
- A** Standard return
- B** Memory spring return

TECHNICAL DATA

Fluid :	Compressed air, vacuum, inert gases
Pressure range :	Internal pilot: 20 to 120 PSI External pilot : vacuum to 120 PSI
Pilot pressure :	Single/double operator : 20 to 120 PSI, 3 positions : 30 to 120 PSI
Lubrication :	Not required, if used select a medium aniline point lubricant (between 180°F and 210°F)
Filtration :	40 µ
Temperature range :	0°F to 120°F (-18°C to +50°C)
Flow :	3/8": (2.8 C _v) - 1/2": (3.0 C _v)
Coil :	Class A continuous duty, #22 AWG x 18 leads
Voltage range :	-15% to +10% of nominal voltage
Protection :	Consult factory
Power :	~ Inrush 7.6 VA Holding: 4.8 VA = 12.7 to 1.0 W
Response times :	24 VDC 5.4w Energize : 10 ms De-energize : 9.6 ms 120/60 Energize : 6-15 ms De-energize : 10-17 ms

- Options :
- Sandwich flow controls: FCP2A-BA (screwdriver slot adjustment)
FCP2A-BB (locking knob adjustment)
 - Sandwich regulator, see „Regulators’ section
- Spare parts :
- Pilot valve: DMB-Dxxx-xxx
 - Valve to base pressure seal: 16576
 - Valve mounting screws (x4): 35413

DIMENSIONS



Function	Port size	Flow [Max]	Individual/Manifold mounting	Series
5/2, 5/3	3/8" - 1/2"	3.0 C_v	Valve only - No base "plug-in" Conform to ISO 5599/2	

OPERATIONAL BENEFITS

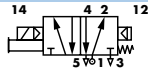
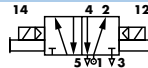
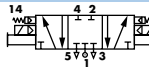

1. Unique patented Macsolenoid® for fastest possible response times and virtually burn-out proof AC solenoid operation.
2. Balanced poppet 4-way pilot valve provides maximum shifting forces, precise repeatability and consistent operation.
3. MAC spool and bore combination wipes away contamination, eliminates sticking and allows for use on non-lube service.
4. Large spool area for maximum shifting forces even at minimum operating pressure.
5. Very high flow in a compact package.
6. Plug-in design of valves, bases and regulators for modular assembly and ease of maintenance.
7. Internal or external pilot operation. Manifolds supplied with common external pilot.
8. Air only return. Optional memory spring is also available.
9. Optional low wattage DC solenoid down to 1.0 watt.



33
34
36
32
37
38
52
67
69
44

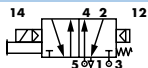
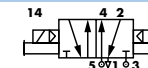
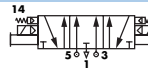
HOW TO ORDER

SINGLE PRESSURE MODELS

Pilot air	5/2 Single operator	5/2 Double operator	5/3 Closed center	5/3 Open center
Internal	 MV-P2A-AAAA-DM-DxxP-xxx	 MV-P2A-ABAA-DM-DxxP-xxx	 MV-P2A-AEAA-DM-DxxP-xxx	 MV-P2A-AFAA-DM-DxxP-xxx
External "12" end	MV-P2A-AAAB-DM-DxxP-xxx	MV-P2A-ABAB-DM-DxxP-xxx	MV-P2A-AEAB-DM-DxxP-xxx	MV-P2A-AFAB-DM-DxxP-xxx

46
42

DUAL PRESSURE MODELS

Pilot air	5/2 Single operator	5/2 Double operator	5/3 Pressure center
Internal pilot From port #3	 MV-P2A-ACAD-DM-DxxP-xxx	 MV-P2A-ADAD-DM-DxxP-xxx	 MV-P2A-AGAD-DM-DxxP-xxx
Internal pilot From port #5	MV-P2A-ACAE-DM-DxxP-xxx	MV-P2A-ADAE-DM-DxxP-xxx	MV-P2A-AGAE-DM-DxxP-xxx
External pilot From "12" end	MV-P2A-ACAB-DM-DxxP-xxx	MV-P2A-ADAB-DM-DxxP-xxx	MV-P2A-AGAB-DM-DxxP-xxx

47
48P
48
400

SOLENOID OPERATOR ▶

DM-D XX P-XXX*

XX Voltage	X Manual operator	XX Electrical connection
JA 110/50, 120/60	1 Non-locking recessed	DM Plug-in
JB 220/50, 240/60	2 Locking recessed	DN Plug-in with diode
JC 24/50, 24/60		DP Plug-in with M.O.V.
FB 24 VDC (1.8W)		DG Plug-in with ground
DA 24 VDC (5.4W)		
DF 24 VDC (12.7W)		

92
93

* Other options available, see page 309.
Note: - ISO series, valve and base are ordered separately, see page 237 for base codes.
- Ground wire required for 30 volts or higher.

OPTIONS

Valve function :

MV-P2A-AXXX-XX-DxxP-xxx

- J** for single operator universal spool (ext. pilot only)
- K** for double operator universal spool (ext. pilot only)

Pilot style :

MV-P2A-AXXX-DM-DxxP-xxx

- DM** Pilot exhaust muffled
- DP** Pilot exhaust piped (#10-32)

Spool return :

MV-P2A-AXAX-XX-DxxP-xxx

- A** Standard return
- B** Memory spring return
- D** Standard return with light
- E** Memory spring return with light

ISO 01
ISO 02
ISO 1
ISO 2
ISO 3

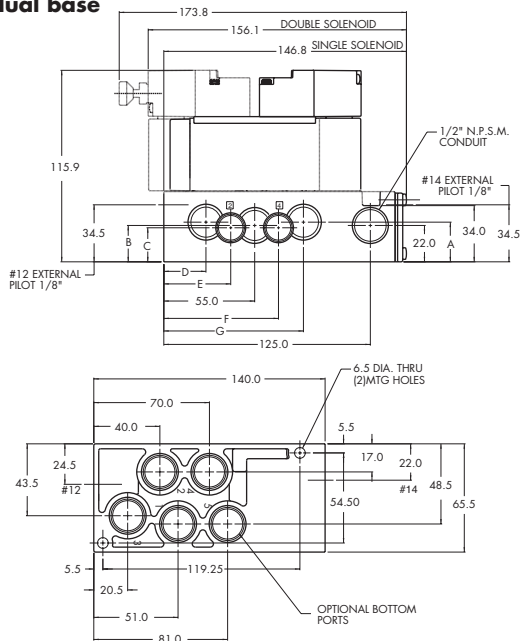
TECHNICAL DATA

Fluid :	Compressed air, vacuum, inert gases
Pressure range :	Internal pilot: 20 to 120 PSI External pilot : vacuum to 120 PSI
Pilot pressure :	Single/double operator : 20 to 120 PSI, 3 positions : 30 to 120 PSI
Lubrication :	Not required, if used select a medium aniline point lubricant (between 180°F and 210°F)
Filtration :	40 μ
Temperature range :	0°F to 120°F (-18°C to +50°C)
Flow :	3/8": (2.8 C _v) - 1/2": (3.0 C _v)
Coil :	Class A continuous duty, #18 AWG x 12 base leads
Voltage range :	-15% to +10% of nominal voltage
Protection :	Consult factory
Power :	~ Inrush 14.8 VA Holding: 10.9 VA = 12.7 to 1.0 W
Response times :	24 VDC 5.4w Energize : 10 ms De-energize : 9.6 ms 120/60 Energize : 6-15 ms De-energize : 10-17 ms

- Options :
- Sandwich flow controls: FCP2A-AA (screwdriver slot adjustment)
FCP2A-AB (locking knob adjustment)
 - Sandwich regulator, see „Regulators’ section
- Spare parts :
- Pilot valve: DMB-DxxP-xxx
 - Valve to base pressure seal: 16576
 - Valve mounting screws (x4): 35413

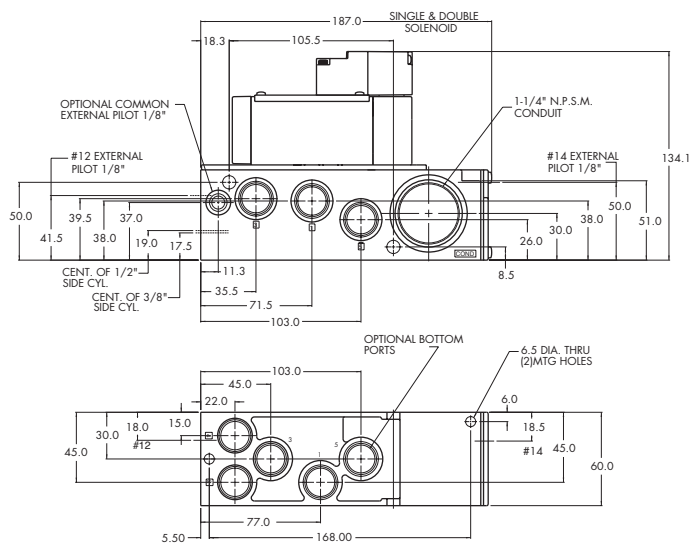
DIMENSIONS

Individual base



DIM.	A	B	C	D	E	F	G
3/8"	25.2	22.7	20.6	26.7	40.5	69.4	83.3
1/2"	24.0	21.0	19.0	25.5	40.0	70.0	84.5

Manifold base



MV-A1C ISO 1
MV-A2B ISO 2
MV-A3B ISO 3

MAC ISO valves are built to International Standards Organization (ISO) Std. 5599/1. They are available in 3 sizes; ISO 1, 2 & 3. To select the ISO size required, insert the appropriate ISO number in the 5th position of the model code; EXAMPLE MV-A1C for ISO 1, MV-A2B for ISO 2, or MV-A3B for ISO 3. Bases and manifolds must be ordered separately from the table below.

HOW TO ORDER

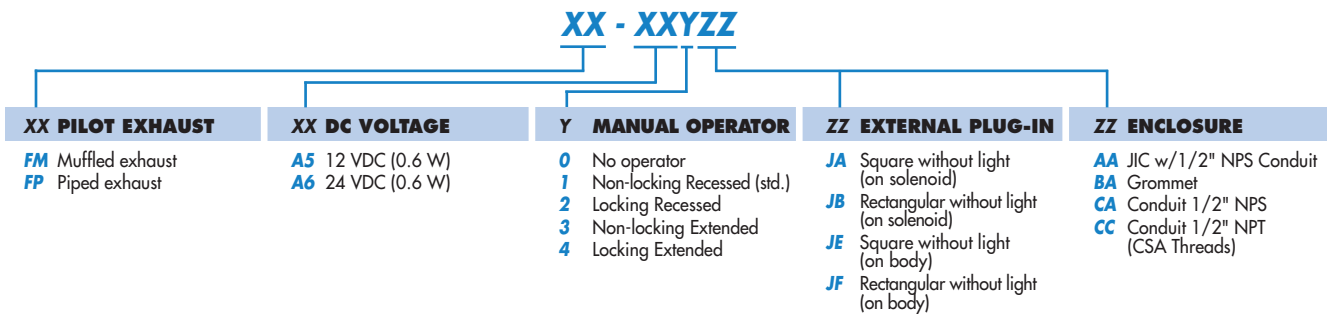
SOLENOID PILOT OPERATED VALVES LESS BASE
SINGLE PRESSURE VALVES

SGL. OPERATOR AIR/SPRING RETURN	DBL. OPERATOR 2-POSITION	PILOT SUPPLY	DBL. OPER. 3-POS. CLOSED CENTER	DBL. OPER. 3-POS. OPEN CENTER
MV-AXB-A111-FM-A51JA MV-AXB-A121-FM-A51JA MV-AXB-A151-FM-A51JA	MV-AXB-A211-FM-A51JA MV-AXB-A221-FM-A51JA MV-AXB-A251-FM-A51JA	Internal Pilot External Pilot External Pilot for use with Regulator	MV-AXB-A312-FM-A51JA MV-AXB-A322-FM-A51JA MV-AXB-A352-FM-A51JA	MV-AXB-A311-FM-A51JA MV-AXB-A321-FM-A51JA MV-AXB-A351-FM-A51JA

DUAL PRESSURE VALVES

SGL. OPERATOR AIR/SPRING RETURN	DBL. OPERATOR 2-POSITION	PILOT SUPPLY	DBL. OPER. 3-POS. PRESSURE CENTER
MV-AXB-A131-FM-A51JA MV-AXB-A135-FM-A51JA MV-AXB-A141-FM-A51JA	MV-AXB-A231-FM-A51JA MV-AXB-A232-FM-A51JA MV-AXB-A241-FM-A51JA	Int. Pilot-From Port 3 Int. Pilot-From Port 5 External Pilot	MV-AXB-A331-FM-A51JA MV-AXB-A332-FM-A51JA MV-AXB-A341-FM-A51JA

SOLENOID PILOT VALVE OPTIONS



BASE TABLE

ISO TYPE	PORT SIZE	INDIVIDUAL BASE		MANIFOLD BASE	
		BSPB	NPTF	BSPB	NPTF
ISO 1	1/4"	MB-A1C-121	MB-A1C-221	MM-A1C-121	MM-A1C-221
	3/8"	MB-A1C-131	MB-A1C-231	MM-A1C-131	MM-A1C-231
ISO 2	3/8"	MB-A2B-121	MB-A2B-221	MM-A2B-121	MM-A2B-221
	1/2"	MB-A2B-131	MB-A2B-231	MM-A2B-131	MM-A2B-231
ISO 3	1/2"	MB-A3B-121	MB-A3B-221	MM-A3B-121	N/A
	3/4"	MB-A3B-131	MB-A3B-231	MM-A3B-131	N/A

For manifold bases a common external pilot port is available. One connection only is required for all valves in the manifold whether single or double solenoid. Bottom ports are also available; consult factory for ordering information for these options.

MANIFOLD FASTENING KIT — For each gang, one kit is required. To order specify part number **N-63002-01**.

ISO 1

ISO 2

ISO 3



HOW TO ORDER

INDIVIDUAL BASE

Port size	Side ports	Side & bottom ports	Bottom cylinder ports 2 and 4.	Bottom inlet port 1
3/8" NPTF	MB-A2B-221	MB-A2B-223	MB-A2B-222	MB-A2B-224
1/2" NPTF	MB-A2B-231	MB-A2B-233	MB-A2B-232	MB-A2B-234

MANIFOLD BASE

Port size	Side ports	Bottom ports	Bottom cylinder ports 2 and 4.	Bottom inlet port 1
3/8" NPTF	MM-A2B-221	MM-A2B-223	MM-A2B-222	MM-A2B-224
1/2" NPTF	MM-A2B-231	MM-A2B-233	MM-A2B-232	MM-A2B-234

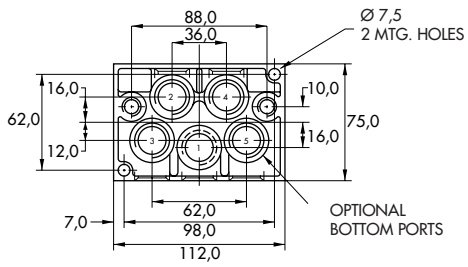
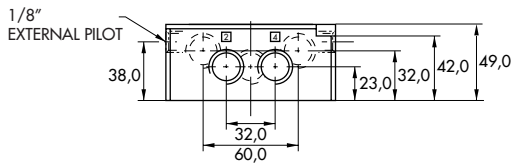
Manifold fastening kit : N-63002-01.

DIMENSIONS

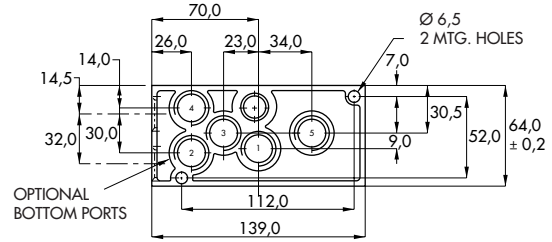
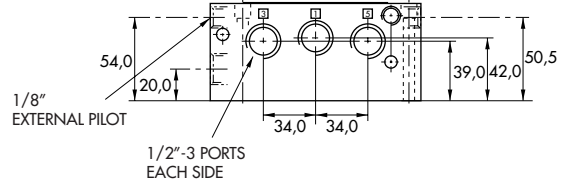
Dimensions shown are metric (mm)

Individual

DIN 5599/1



Manifold



Codification table for voltages / Manual operator / Electrical connection / Wire length

VALVE CODE ► **- XX Y ZZ (-VV)**
1 2 3 4

OPTIONS AVAILABLE FOR	OPTIONS AVAILABLE FOR
<ul style="list-style-type: none"> - valves type 100 Series - pilot valves "CNOMO" 	<ul style="list-style-type: none"> - valves type 200 Series
<ul style="list-style-type: none"> - Pilot operated valves with pilots type 100 Series Series : 55 - 56 - 700 - 800 - 900 <li style="padding-left: 20px;">- 6300 - 6500 - 6600 - 1300 <li style="padding-left: 20px;">- ISO 1 - ISO 2 - ISO 3. <li style="padding-left: 20px;">- MAC 125 - MAC 250 - MAC 500 	<ul style="list-style-type: none"> - pilot operated valves with pilots type 200 Series Series : 200 - 57 - 58 - 59.
<ul style="list-style-type: none"> - Pilot operated valves with pilots "CNOMO" Series : ISO1 - ISO2 - ISO3 	

Function	Port size	Flow [Max]	Individual/Manifold mounting	Series
5/2 - 5/3	3/8" - 1/2"	3.1 C_v	Valve only - no base	

OPERATIONAL BENEFITS

1. Balanced spool, immune to variations of pressure.
2. Powerful return forces thanks to the combination of mechanical and air springs.
3. Bonded spool with minimum friction, shifting in a glass-like finished bore.
4. Wiping effect eliminates sticking.
5. Long service life.



400

67

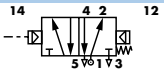
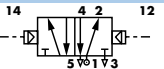
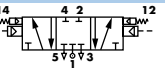
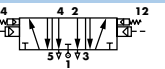
69

ISO 2

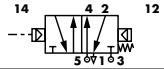
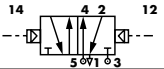
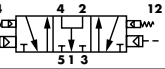
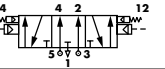
ISO 3

HOW TO ORDER

SINGLE PRESSURE MODELS

Air spring	5/2 Single operator	5/2 Double operator	5/3 Closed center	5/3 Open center
Internal	 MV-R2A-BACF	 MV-R2A-BBAK	 MV-R2A-BEAK	 MV-R2A-BFAK
External	MV-R2A-BACG			

DUAL PRESSURE MODELS

Air spring	5/2 Single operator	5/2 Double operator	5/3 Open center	5/3 Pressure center
Internal port #3	 MV-R2A-BCCH	 MV-R2A-BDAK	 MV-R2A-BHAK	 MV-R2A-BGAK
Internal port #5	MV-R2A-BCCJ			
External	MV-R2A-BCCG			

Note: ISO series, valve and base are ordered separately, see page 235 for base code.

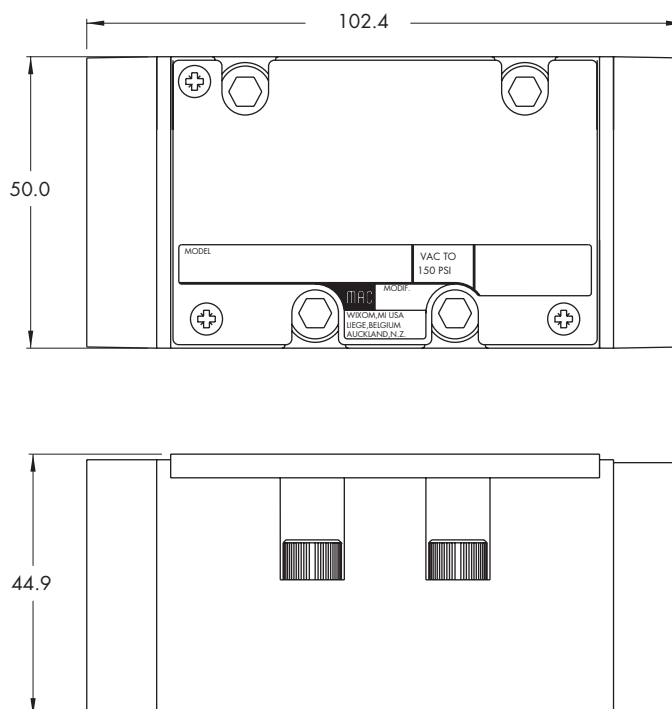
TECHNICAL DATA

Fluid :	Compressed air, vacuum, inert gases
Pressure range :	Vacuum to 150 PSI
Air signal pressure :	Single/double operator: 20 to 150 PSI 3 position: 30 to 150 PSI
Lubrication :	Not required, if used select a medium aniline point lubricant (between 180°F and 210°F)
Filtration :	40 µ
Temperature range :	0°F to 120°F (-18°C to 50°C)
Flow :	3/8" : (2.8 Cv) - 1/2" : (3.1 Cv)

Spare parts : • Valve to base pressure seal: 16576 • Valve mounting screws (x4): 35413

DIMENSIONS

Dimensions shown are metric (mm)



Non plug-in base / manifold

- ISO 01
- ISO 02
- ISO 1
- ISO 2**
- ISO 3



HOW TO ORDER

INDIVIDUAL BASE

Port size	Side ports	Bottom ports	Bottom cylinder ports 2 and 4.	Bottom inlet port 1
3/8" NPTF	MB-A2B-221	MB-A2B-223	MB-A2B-222	MB-A2B-224
1/2" NPTF	MB-A2B-231	MB-A2B-233	MB-A2B-232	MB-A2B-234

MANIFOLD BASE

Port size	Side ports	Bottom ports	Bottom cylinder ports 2 and 4.	Bottom inlet port 1
3/8" NPTF	MM-A2B-221	MM-A2B-223	MM-A2B-222	MM-A2B-224
1/2" NPTF	MM-A2B-231	MM-A2B-233	MM-A2B-232	MM-A2B-234

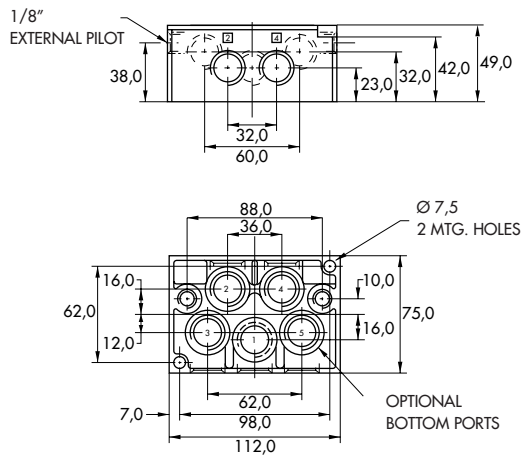
Manifold fastening kit : N-63002-01.
 Valve blanking plate: MA2003.
 Inlet/exhaust isolator plug: 32839.

DIMENSIONS

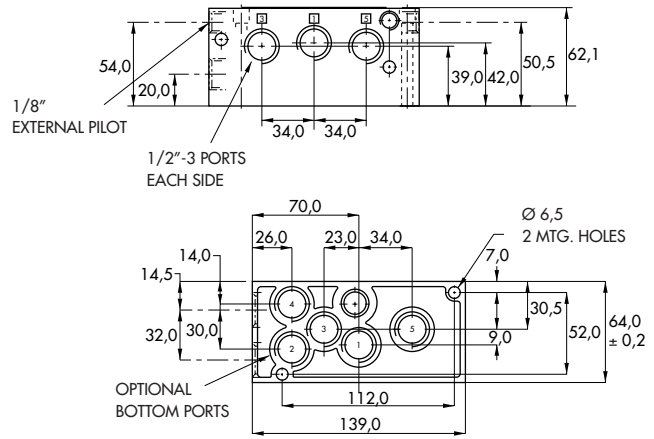
Dimensions shown are metric (mm)

Individual

DIN 5599/1



Manifold



Plug-in base / manifold

- ISO 01
- ISO 02
- ISO 1
- ISO 2**
- ISO 3



HOW TO ORDER

INDIVIDUAL BASE

Port size	Wired for	Side ports	Side ports w/ bottom 2 & 4 ports	All side & bottom ports
3/8" NPTF	Single solenoid	MB-P2A-221-A	MB-P2A-222-A	MB-P2A-223-A
	Double solenoid	MB-P2A-221-B	MB-P2A-222-B	MB-P2A-223-B
1/2" NPTF	Single solenoid	MB-P2A-231-A	MB-P2A-232-A	MB-P2A-233-A
	Double solenoid	MB-P2A-231-B	MB-P2A-232-B	MB-P2A-233-B

MANIFOLD BASE

Port size	Wired for	Side ports	Side ports w/ bottom 2 & 4 ports	All side & bottom ports (see note)
3/8" NPTF	Single solenoid	MM-P2A-221-A	MM-P2A-222-A	MM-P2A-223-A
	Double solenoid	MM-P2A-221-B	MM-P2A-222-B	MM-P2A-223-B
1/2" NPTF	Single solenoid	MM-P2A-231-A	MM-P2A-232-A	MM-P2A-233-A
	Double solenoid	MM-P2A-231-B	MM-P2A-232-B	MM-P2A-233-B

Note : Ports 1, 3 & 5 are always 1/2"

OPTIONS

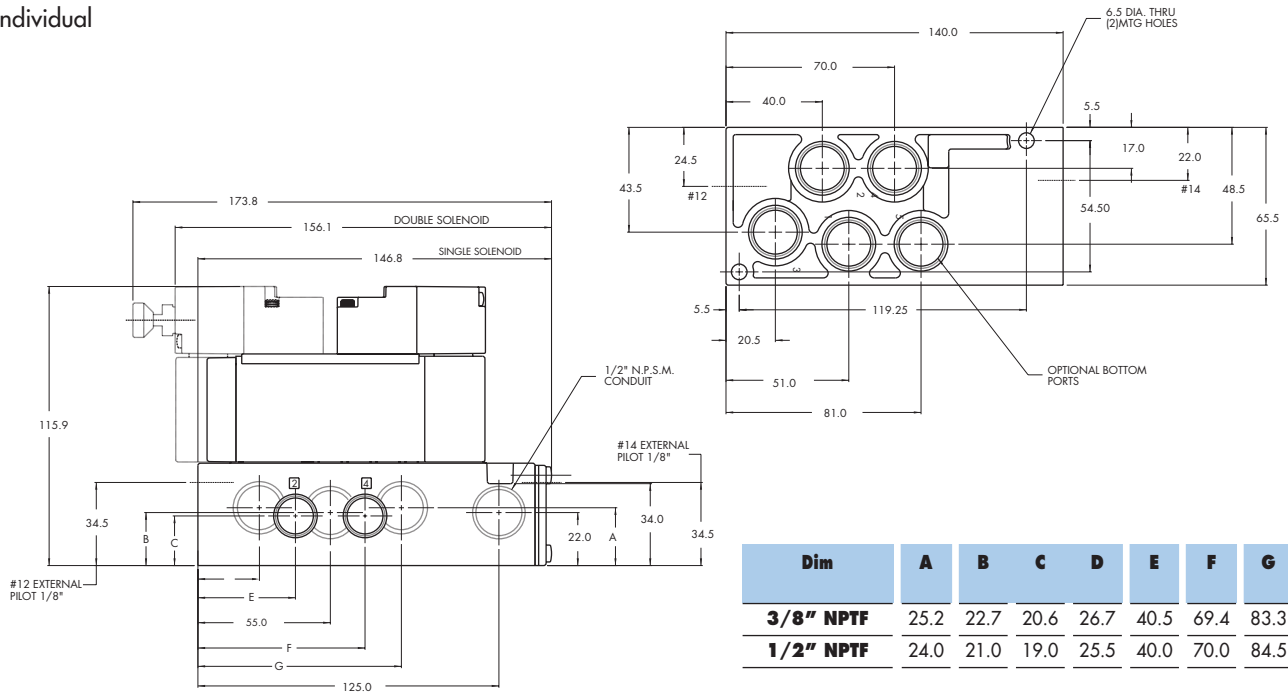
- Manifold options :
- External pilot **MM-P2A-22-x-x**
 - 25** for 3/8" port – common external pilot
 - 26** for 1/2" port – common external pilot
 - Terminal strip **MM-P2A-xxx-A** (N/A with light)
 - J** wired for sgl solenoid
 - K** wired for double solenoid
 - Base / Manifold option: light(s) **MX-P2A-xxx-xJA**
 - JA** 110/120 volt
 - JB** 220/240 volt
 - DA** 24 volt

- Accessories:
- M-P2001 Valve blanking plate.
 - N-P2004-01 Manifold fastening kit.
 - 32839 Inlet/exhaust isolator plug.

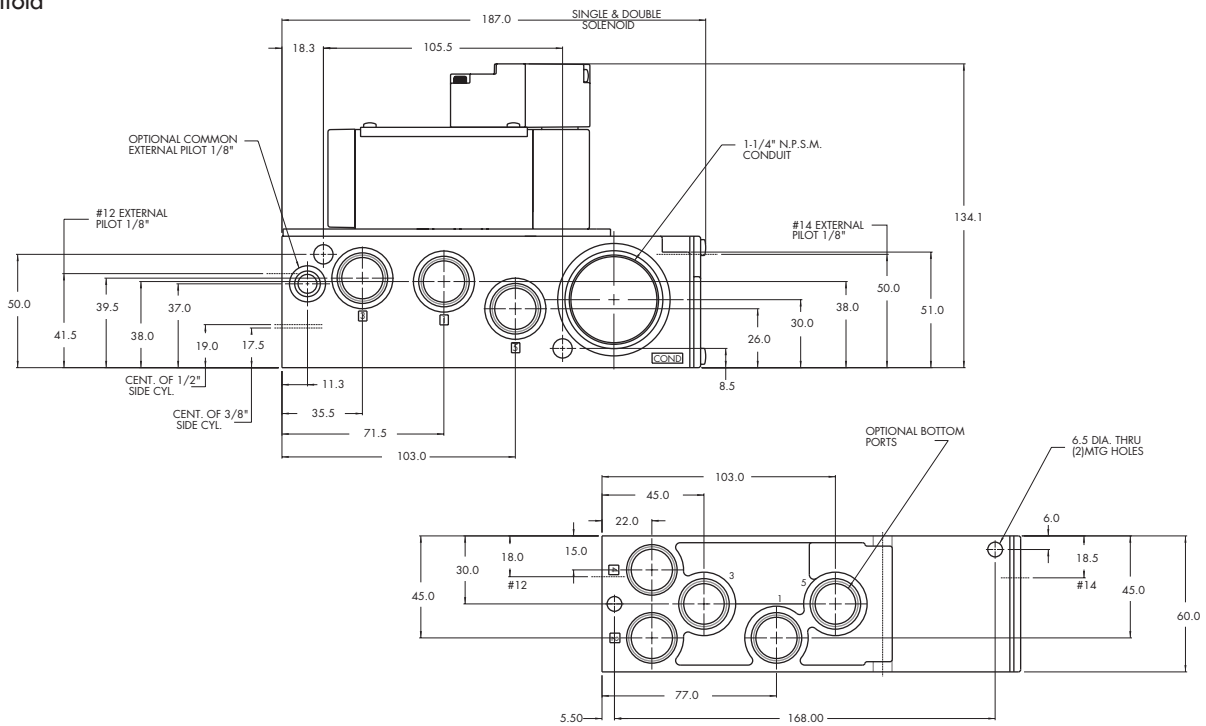
DIMENSIONS

Dimensions shown are metric (mm)

Individual



Manifold





Codification table for voltages / Manual operator / Electrical connection

VALVE CODE > **-DM- D XX X-X XX**
1 2 3 4

OPTIONS AVAILABLE FOR

- Pilot operated valves 52, 67, 92, 93, 400, ISO1, ISO2, ISO3 Series

1. VOLTAGE

D-XX X-X XX	VOLTAGE
DA	24 VDC (5.4W)
DB	12 VDC (5.4W)
DC	12 VDC (7.5W)
DD	24 VDC (7.3W)
DE	12 VDC (12.7W)
DF	24 VDC (12.7W)
DK	110 VDC (4.7W)
DJ	28 VDC (5.2W)
DL	64 VDC (6.0W)
DM	36 VDC (5.3W)
DN	6 VDC (6.0W)
DR	90 VDC (6.6W)
DS	110 VDC (7.3W)
DT	75 VDC (5.6W)
DP	48 VDC (5.8W)
FA	12 VDC (1.8W)
FB	24 VDC (1.8W)
FE	12 VDC (2.4W)
FF	24 VDC (2.4W)
JA	120/60, 110/50 (2.9W)
JB	240/60, 220/50 (2.9W)
JC	24/60, 24/50 (3.7W)
JD	100/60, 100/50, 110/60 (3.9W)
JE	220/60 (3.4W)
JF	240/50 (2.8W)
JG	200/60, 200/50 (3.9W)

2. WIRE LENGTH

D-XX X-X XX	WIRE LENGTH
0	No wires
A	18"
B	24"
C	36"
D	48"
E	72"
F	96"

3. MANUAL OPERATOR

D-XX X-X XX	MANUAL OPERATOR
0	No operator
1	Non-locking recessed
2	Locking recessed
3	Non-locking extended
4	Locking extended

4. ELECTRICAL CONNECTION

D-XX X-X XX	ELECTRICAL CONNECTION
BA*	Flying leads (grommet)
BK*	BA with protection diode
BL*	BA with protection varistor
BM**	Flying leads (solenoid plug-in)
BN**	BM with protection diode
BP**	BM with protection varistor
BG**	BM with ground
BH**	BM with protection diode & ground
BJ**	BM with protection varistor & ground
CA*	1/2" NPS conduit with flying leads
CM*	1/2" NPS metal conduit with flying leads
CN*	1/2" NPS metal conduit with flying leads & ground
JB	Rectangular connector
JD	JB with light
JM	Rectangular connector (male only)
KA	Mini square connector
KB	KA with protection diode
KC	KA with protection varistor
KD	KA with light
KE	KA with light and protection diode
KF	KA with light and protection varistor
KG	KA with light & diode
KJ	Mini square connector (male only)
KK	KJ with protection diode (male only)
KL	KJ with protection varistor (male only)
TA	Dual tabs with receptacles
TB	TA with protection diode
TD	TA with light
TE	TA with light and protection diode
TJ	Dual tabs (male only)
TK	TJ with protection diode
TM	TJ with light
TN	TJ with light and protection diode

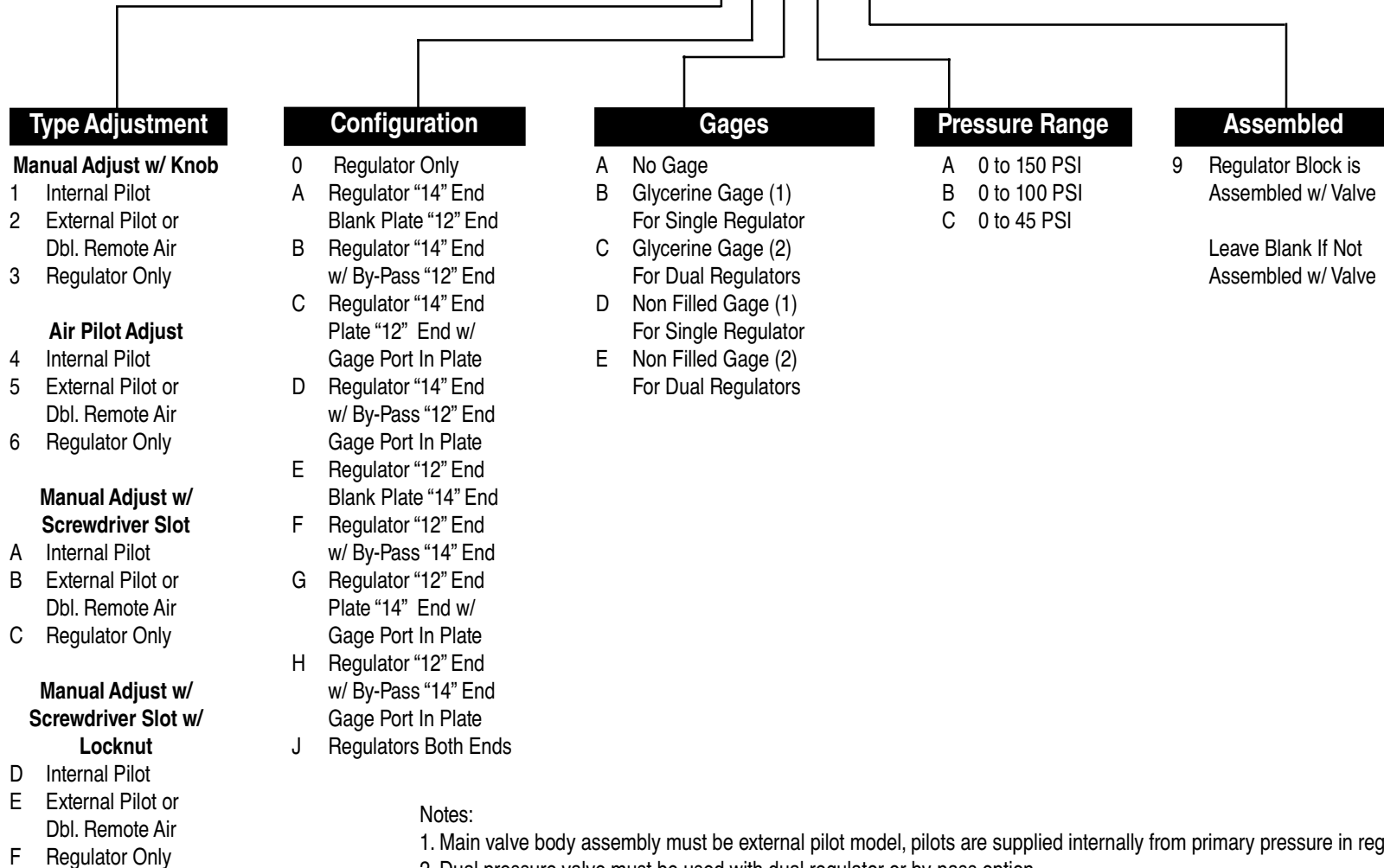
* From Lead wire length options choose A through F

** From Lead wire length options choose 0 through F

Note: When coil is above 30 volts, a ground wire is required. Applies to options with flying leads.

How To Order ISO 2 Non Plug-In Regulator

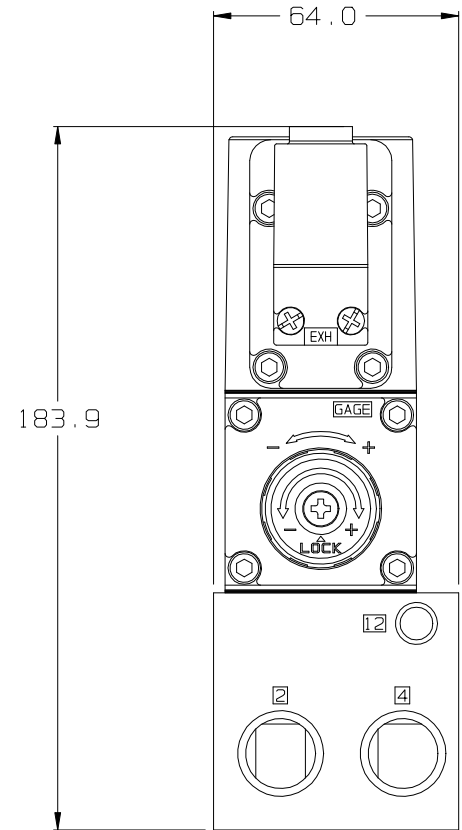
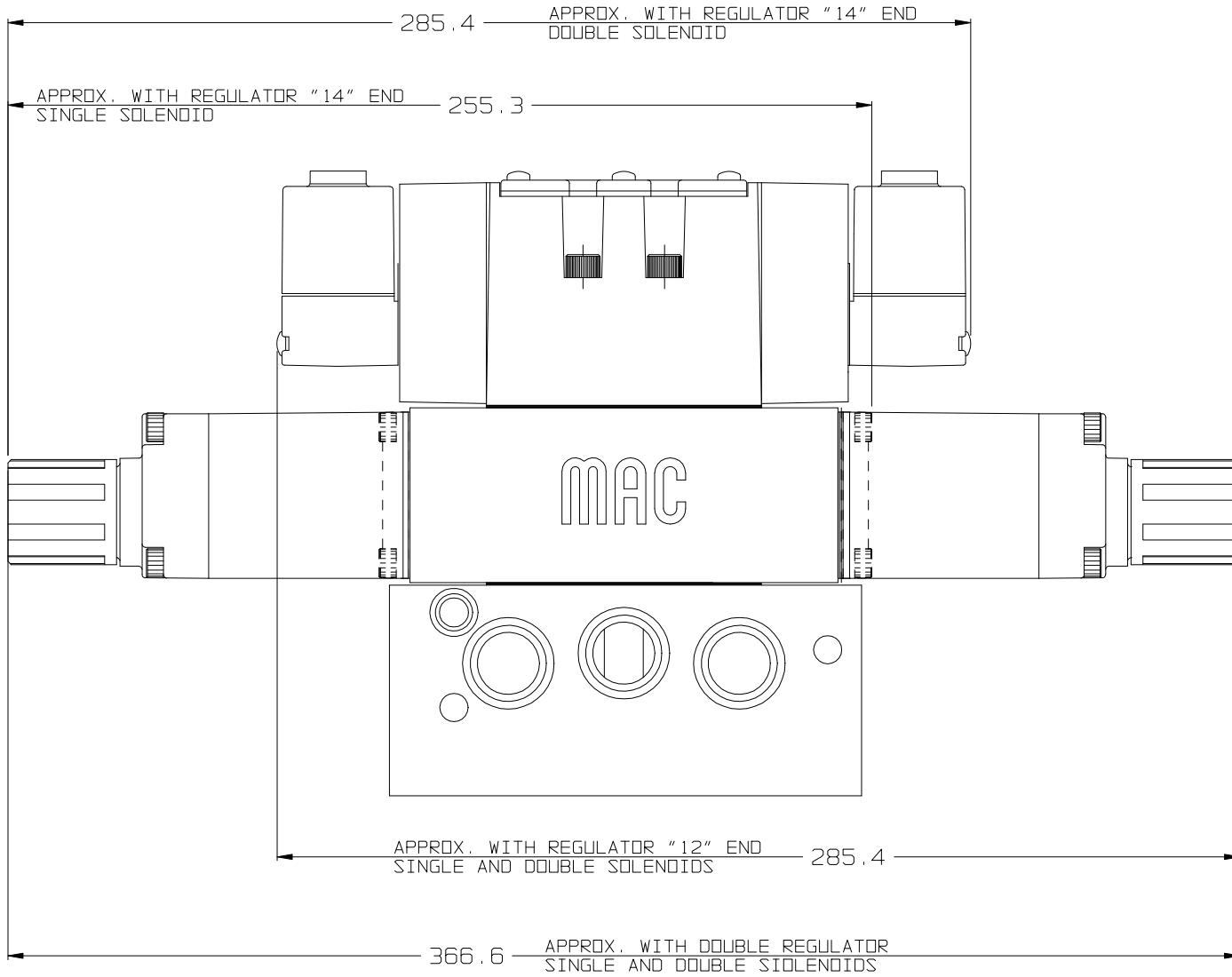
PRA2D - X X X X - X



Notes:

1. Main valve body assembly must be external pilot model, pilots are supplied internally from primary pressure in regulator block.
2. Dual pressure valve must be used with dual regulator or by-pass option.
3. Cannot field convert regulator block from single pressure to dual pressure.
4. Body/Block to base mounting screw #19177
5. Cannot field convert from internal pilot to external pilot.
6. Interface plate between regulator and block must be used when regulator only is used for replacement.

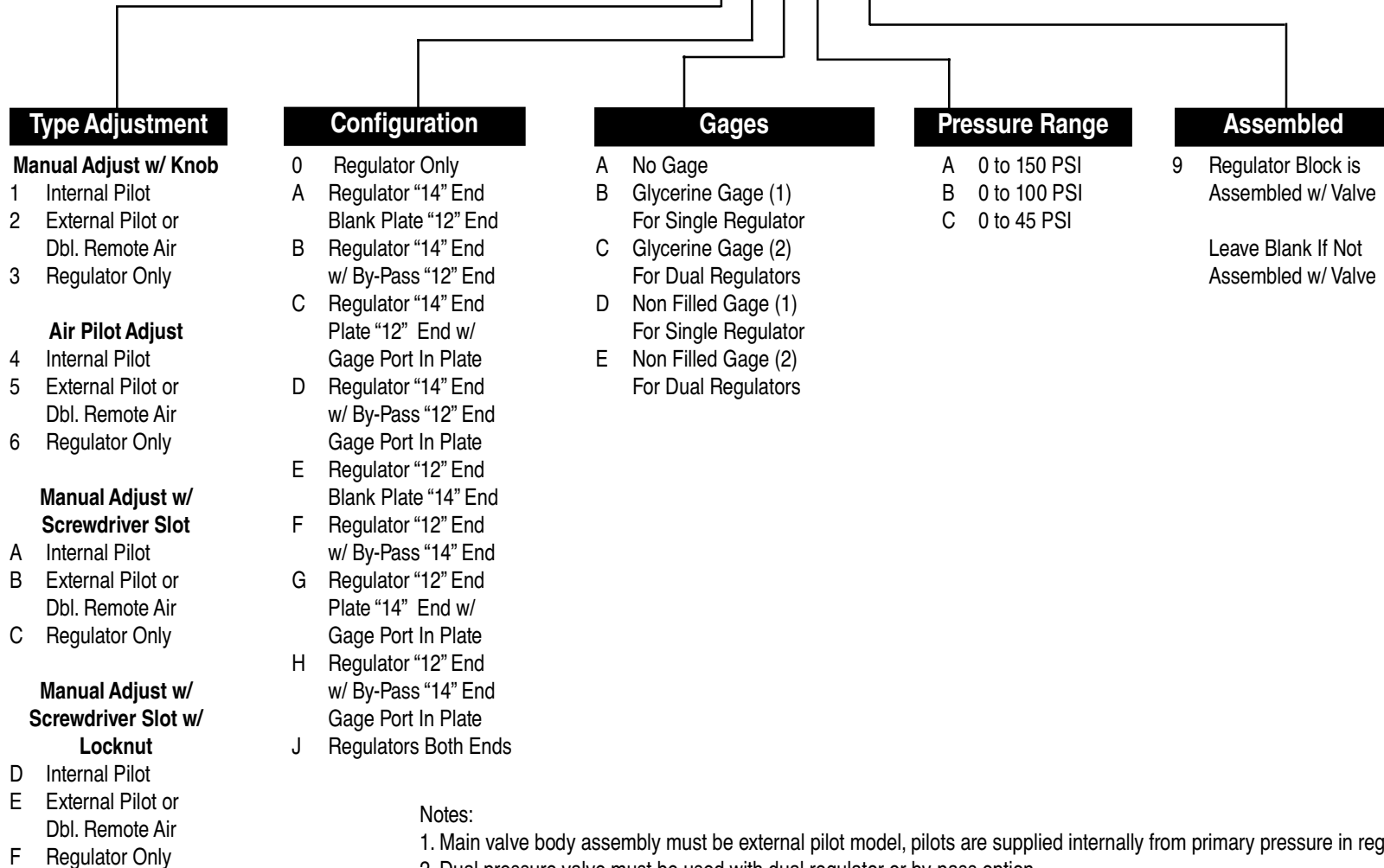
ISO2 NON PLUG-IN MANIFOLD WITH REGULATOR (PRA2D-XXXX)



*ALL DIMENSIONS SHOWN
ARE IN MILLIMETERS

How To Order ISO 2 Non Plug-In Regulator

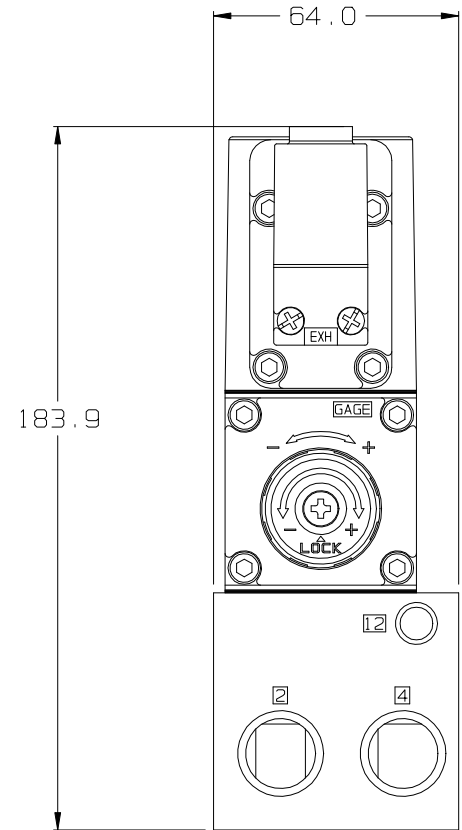
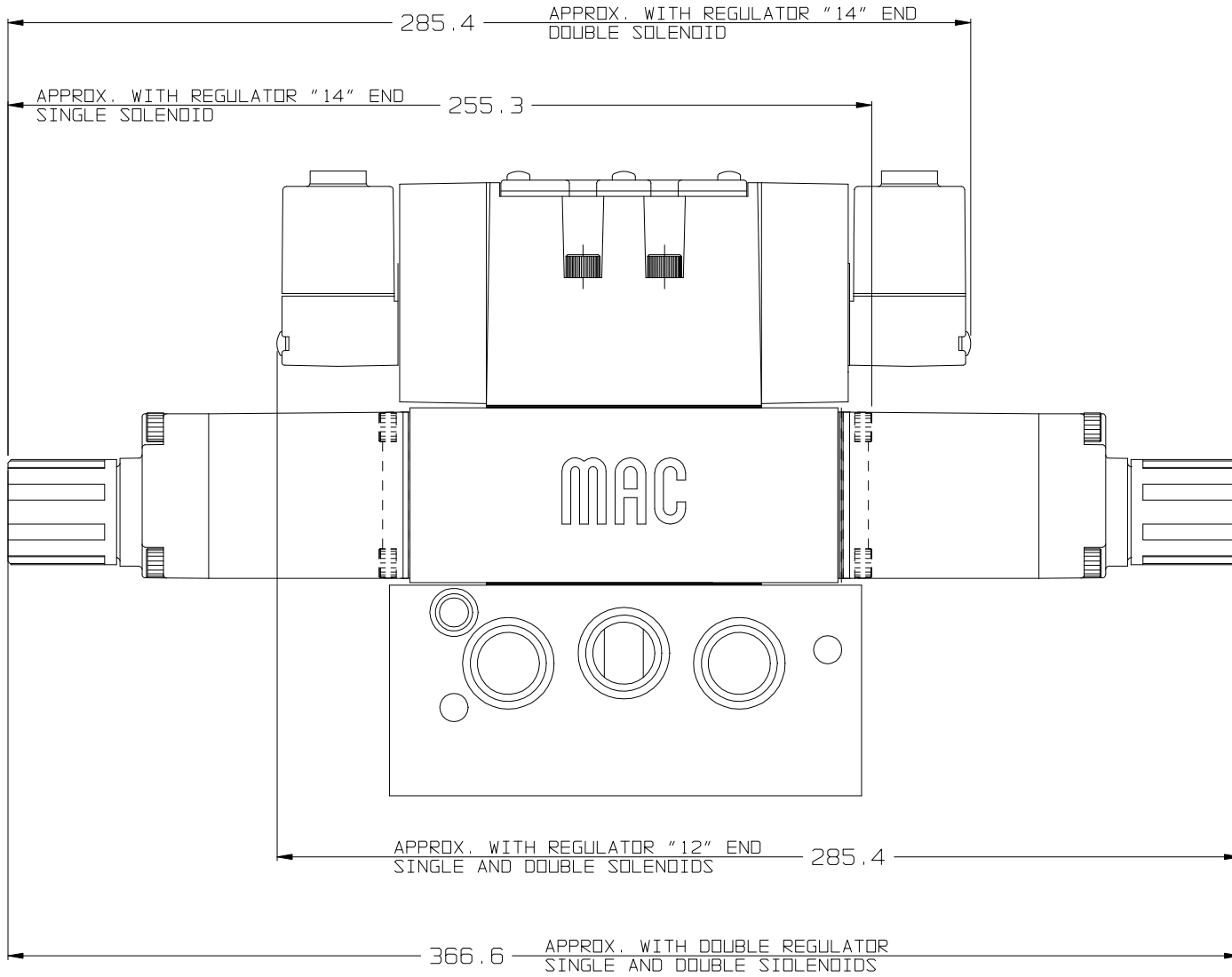
PRA2D - X X X X - X



Notes:

1. Main valve body assembly must be external pilot model, pilots are supplied internally from primary pressure in regulator block.
2. Dual pressure valve must be used with dual regulator or by-pass option.
3. Cannot field convert regulator block from single pressure to dual pressure.
4. Body/Block to base mounting screw #19177
5. Cannot field convert from internal pilot to external pilot.
6. Interface plate between regulator and block must be used when regulator only is used for replacement.

ISO2 NON PLUG-IN MANIFOLD WITH REGULATOR (PRA2D-XXXX)



*ALL DIMENSIONS SHOWN
ARE IN MILLIMETERS