

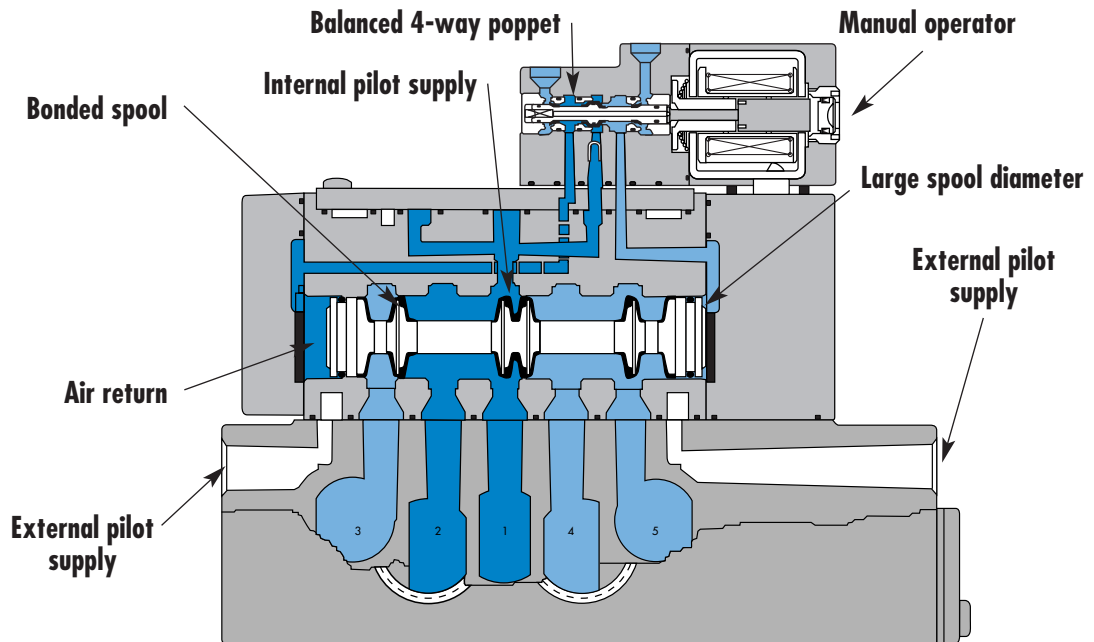
Individual mounting

Valve only - No base non "plug-in" Conform to ISO 5599/1	Valve only - No base "plug-in" Conform to ISO 5599/2
--	--

Series

Manifold mounting

Valve only - No base non "plug-in" Conform to ISO 5599/1	Valve only - No base "plug-in" Conform to ISO 5599/2
--	--



33
34
36
32
37
38
52
67
69
44
46
42
47
48P
48
400
92
93
ISO 01
ISO 02
ISO 1
ISO 2
ISO 3

SERIES FEATURES

- Plug-in (5599/2) and non plug-in (5599/1) models.
- 2-position, single or double operator. (Solenoid or Remote Air)
- 3-position, double solenoid, open center, closed center, and pressure center.
- Extended or recessed manual operators.
- Single pressure and dual pressure.
- Individual base or add-a-unit manifold base.
- Plug-in, sandwich, single and dual pressure regulators for both individual and manifold valves.

Function	Port size	Flow [Max]	Individual/Manifold mounting	Series
5/2, 5/3	1/2" - 3/4"	6.1 C_v	Valve only - No base "non plug-in" Conform to ISO 5599/1	

OPERATIONAL BENEFITS

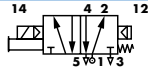
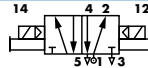
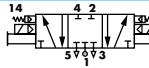
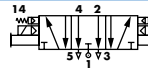
1. Unique patented Macsolenoid® for fastest possible response times and virtually burn-out proof AC solenoid operation.
2. Balanced poppet 4-way pilot valve provides maximum shifting forces, precise repeatability and consistent operation.
3. MAC spool and bore combination wipes away contamination, eliminates sticking and allows for use on non-lube service.
4. Large spool area for maximum shifting forces even at minimum operating pressure.
5. Very high flow in a compact package.
6. Plug-in design of valves, bases and regulators for modular assembly and ease of maintenance.
7. Internal or external pilot operation. Manifolds supplied with common external pilot.
8. Air only return. Optional memory spring is also available.
9. Optional low wattage DC solenoid down to 1.0 watt.



33
34
36
32
37
38
52
67
69
44

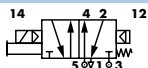
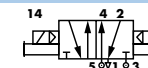
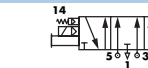
HOW TO ORDER

SINGLE PRESSURE MODELS

Pilot air	5/2 Single operator	5/2 Double operator	5/3 Closed center	5/3 Open center
Internal	 MV-B3A-AAAA-DM-DXXX-XXX	 MV-B3A-ABAA-DM-DXXX-XXX	 MV-B3A-AEAA-DM-DXXX-XXX	 MV-B3A-AFAA-DM-DXXX-XXX
External "12" end	MV-B3A-AAAB-DM-DXXX-XXX	MV-B3A-ABAB-DM-DXXX-XXX	MV-B3A-AEAB-DM-DXXX-XXX	MV-B3A-AFAB-DM-DXXX-XXX

46
42

DUAL PRESSURE MODELS

Pilot air	5/2 Single operator	5/2 Double operator	5/3 Pressure center
Internal pilot From port #3	 MV-B3A-ACAD-DM-DXXX-XXX	 MV-B3A-ADAD-DM-DXXX-XXX	 MV-B3A-AGAD-DM-DXXX-XXX
Internal pilot From port #5	MV-B3A-ACAE-DM-DXXX-XXX	MV-B3A-ADAE-DM-DXXX-XXX	MV-B3A-AGAE-DM-DXXX-XXX
External pilot From "12" end	MV-B3A-ACAB-DM-DXXX-XXX	MV-B3A-ADAB-DM-DXXX-XXX	MV-B3A-AGAB-DM-DXXX-XXX

47
48P
48
400

SOLENOID OPERATOR ▶

DM-D XXX-XXX*

XX Voltage	X Lead wire length	X Manual operator	XX Electrical connection
JA 110/50, 120/60	A 18" (Flying leads)	1 Non-locking recessed	KA Square connector
JB 220/50, 240/60	B 24" (Flying leads)	2 Locking recessed	KD Square connector with light
JC 24/50, 24/60	J Connector		JB Rectangular connector
FB 24 VDC (1.8W)			JD Rectangular connector with light
DA 24 VDC (5.4W)			BA Flying leads
DF 24 VDC (12.7W)			

92

93
ISO 01
ISO 02
ISO 1
ISO 2
ISO 3

* Other options available, see page 309.
Note: ISO series, valve and base are ordered separately, see page 239 for base code.

OPTIONS

Valve function :

MV-B3A-**AXXX**-XX-DXXX-XXX

- J** for single operator universal spool (ext. pilot only)
- K** for double operator universal spool (ext. pilot only)

Pilot style :

MV-B3A-**AXXX-DM**-DXXX-XXX

- DM** Pilot exhaust muffled
- DP** Pilot exhaust piped (#10-32)

Spool return :

MV-B3A-**AXAX**-XX-DXXX-XXX

- A** Standard return
- B** Memory spring return

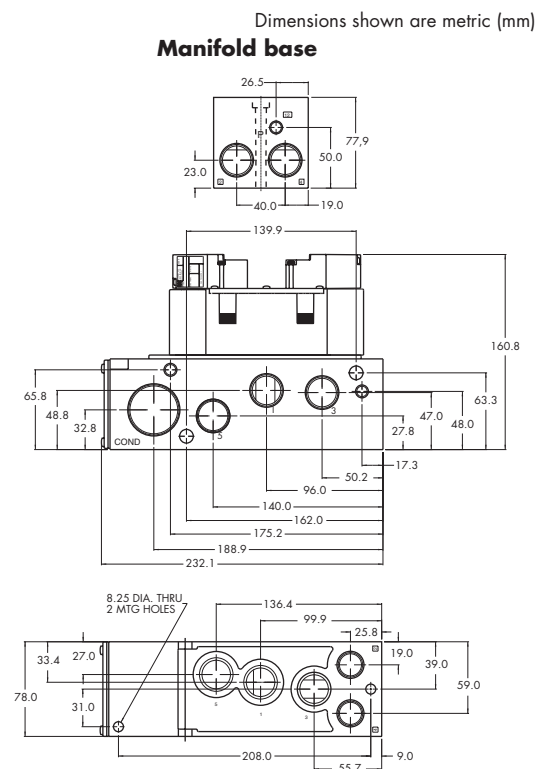
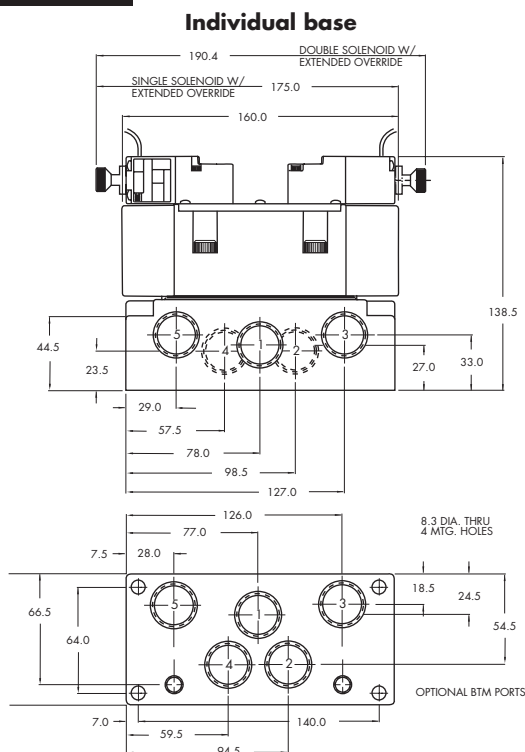
TECHNICAL DATA

Fluid :	Compressed air, vacuum, inert gases
Pressure range :	Internal pilot: 20 to 120 PSI External pilot : vacuum to 120 PSI
Pilot pressure :	Single/double operator : 20 to 120 PSI, 3 positions : 30 to 120 PSI
Lubrication :	Not required, if used select a medium aniline point lubricant (between 180°F and 210°F)
Filtration :	40 µ
Temperature range :	0°F to 120°F (-18°C to +50°C)
Flow :	1/2": (5.4 C _v) – 3/4": (6.1 C _v)
Coil :	Class A continuous duty, #22 AWG leads
Voltage range :	-15% to +10% of nominal voltage
Protection :	Consult factory
Power :	~ Inrush 7.6 VA Holding: 4.8 VA = 12.7 to 1.0 W
Response times : (5.4 W coil)	Energize : 16.2 ms De-energize : 13.6 ms

Options : • Sandwich regulator, see „Regulators’ section

Spare parts : • Pilot valve: DMB-Dxxx-xxx • Valve to base pressure seal: 16614
 • Valve mounting screws (x4): 35451

DIMENSIONS



Function	Port size	Flow [Max]	Individual/Manifold mounting	Series
5/2, 5/3	1/2" - 3/4"	6.1 C_v	Valve only - No base "plug-in" Conform to ISO 5599/2	

OPERATIONAL BENEFITS

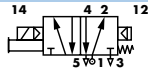
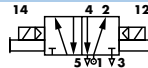
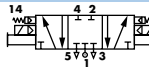

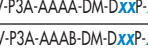
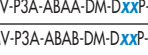
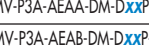
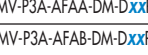
1. Unique patented Macsolenoid® for fastest possible response times and virtually burn-out proof AC solenoid operation.
2. Balanced poppet 4-way pilot valve provides maximum shifting forces, precise repeatability and consistent operation.
3. MAC spool and bore combination wipes away contamination, eliminates sticking and allows for use on non-lube service.
4. Large spool area for maximum shifting forces even at minimum operating pressure.
5. Very high flow in a compact package.
6. Plug-in design of valves, bases and regulators for modular assembly and ease of maintenance.
7. Internal or external pilot operation. Manifolds supplied with common external pilot.
8. Air only return. Optional memory spring is also available.
9. Optional low wattage DC solenoid down to 1.0 watt.



33
34
36
32
37
38
52
67
69
44

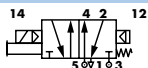
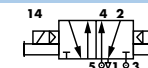
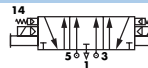
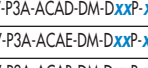
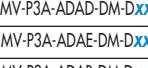
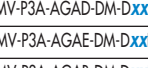


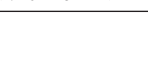
HOW TO ORDER

SINGLE PRESSURE MODELS

Pilot air	5/2 Single operator	5/2 Double operator	5/3 Closed center	5/3 Open center
Internal	 MV-P3A-AAAA-DM-DxxP-xxx	 MV-P3A-ABAA-DM-DxxP-xxx	 MV-P3A-AEAA-DM-DxxP-xxx	 MV-P3A-AFAA-DM-DxxP-xxx
External "12" end	 MV-P3A-AAAB-DM-DxxP-xxx	 MV-P3A-ABAB-DM-DxxP-xxx	 MV-P3A-AEAB-DM-DxxP-xxx	 MV-P3A-AFAB-DM-DxxP-xxx

46
42

DUAL PRESSURE MODELS

Pilot air	5/2 Single operator	5/2 Double operator	5/3 Pressure center
Internal pilot From port #3	 MV-P3A-ACAD-DM-DxxP-xxx	 MV-P3A-ADAD-DM-DxxP-xxx	 MV-P3A-AGAD-DM-DxxP-xxx
Internal pilot From port #5	 MV-P3A-ACAE-DM-DxxP-xxx	 MV-P3A-ADAE-DM-DxxP-xxx	 MV-P3A-AGAE-DM-DxxP-xxx
External pilot From "12" end	 MV-P3A-ACAB-DM-DxxP-xxx	 MV-P3A-ADAB-DM-DxxP-xxx	 MV-P3A-AGAB-DM-DxxP-xxx

47
48P
48
400

SOLENOID OPERATOR ▶

DM-D XX P-XXX*

XX Voltage	X Manual operator	XX Electrical connection
JA 110/50, 120/60 (2.9W)	1 Non-locking recessed	DM Plug-in
JB 220/50, 240/60 (2.9W)	2 Locking recessed	DN Plug-in with diode
JC 24/50, 24/60 (2.9W)		DP Plug-in with M.O.V.
FB 24 VDC (1.8W)		DG Plug-in with ground
DA 24 VDC (5.4W)		
DF 24 VDC (12.7W)		

* Other options available, see page 309.
Note: - ISO series, valve and base are ordered separately, see page 241 for base codes.
- Ground wire required for 30 volts or higher.

OPTIONS

Valve function :

MV-P3A-AXXX-XX-DxxP-xxx
J for single operator universal spool (ext. pilot only)
K for double operator universal spool (ext. pilot only)

Pilot style :

MV-P3A-AXXX-DM-DxxP-xxx
DM Pilot exhaust muffled
DP Pilot exhaust piped (#10-32)

Spool return :

MV-P3A-AXXX-XX-DxxP-xxx
A Standard return
B Memory spring return
D Standard return with light
E Memory spring return with light

92
93
ISO 01
ISO 02
ISO 1
ISO 2
ISO 3

TECHNICAL DATA

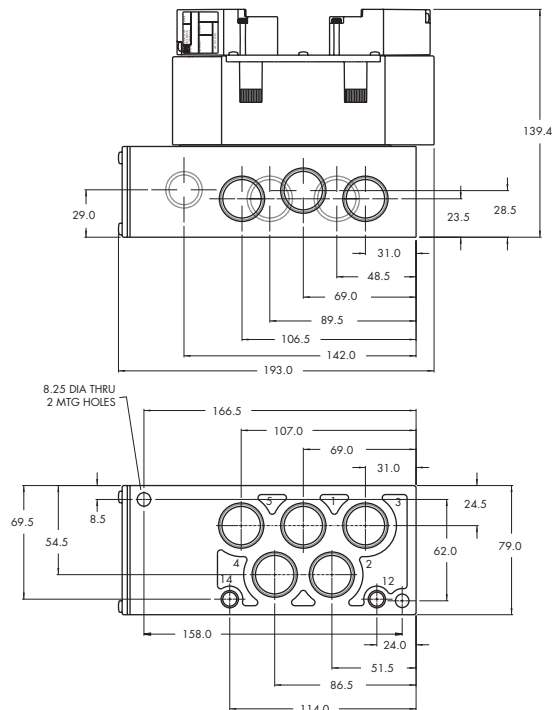
Fluid :	Compressed air, vacuum, inert gases
Pressure range :	Internal pilot: 20 to 120 PSI External pilot : vacuum to 120 PSI
Pilot pressure :	Single/double operator : 20 to 120 PSI, 3 positions : 30 to 120 PSI
Lubrication :	Not required, if used select a medium aniline point lubricant (between 180°F and 210°F)
Filtration :	40 μ
Temperature range :	0°F to 120°F (-18°C to +50°C)
Flow :	1/2": (5.4 C _v) – 3/4": (6.1 C _v)
Coil :	Class A continuous duty, #22 AWG leads
Voltage range :	-15% to +10% of nominal voltage
Protection :	Consult factory
Power :	~ Inrush 7.6 VA Holding: 4.8 VA = 12.7 to 1.0 W
Response times : (5.4 W coil)	Energize : 16.2 ms De-energize : 13.6 ms

Options : • Sandwich regulator, see „Regulators’ section

Spare parts : • Pilot valve: DMB-DxxP-xxx • Valve to base pressure seal: 16614
 • Valve mounting screws (x4): 35451

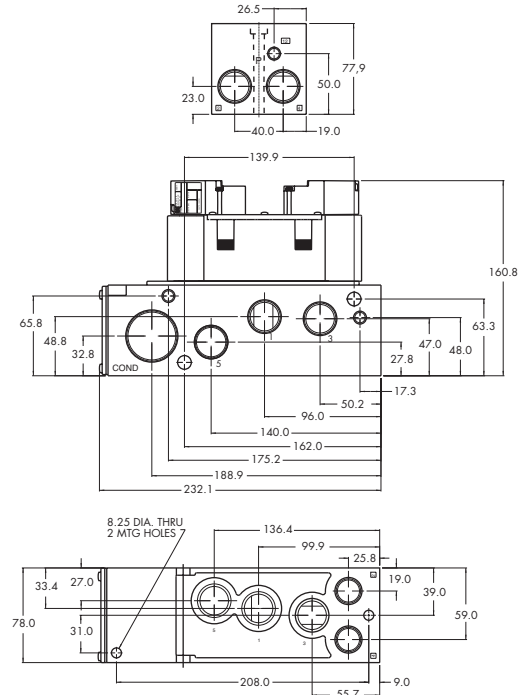
DIMENSIONS

Individual base



Dimensions shown are metric (mm)

Manifold base



MV-A1C ISO 1
MV-A2B ISO 2
MV-A3B ISO 3

MAC ISO valves are built to International Standards Organization (ISO) Std. 5599/1. They are available in 3 sizes; ISO 1, 2 & 3. To select the ISO size required, insert the appropriate ISO number in the 5th position of the model code; EXAMPLE MV-A1C for ISO 1, MV-A2B for ISO 2, or MV-A3B for ISO 3. Bases and manifolds must be ordered separately from the table below.

HOW TO ORDER

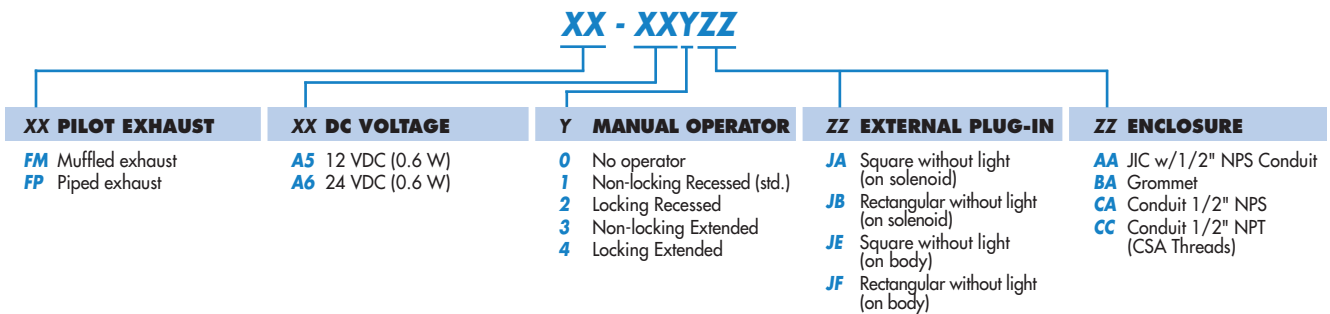
SOLENOID PILOT OPERATED VALVES LESS BASE
SINGLE PRESSURE VALVES

SGL. OPERATOR AIR/SPRING RETURN	DBL. OPERATOR 2-POSITION	PILOT SUPPLY	DBL. OPER. 3-POS. CLOSED CENTER	DBL. OPER. 3-POS. OPEN CENTER
MV-AXB-A111-FM-A51JA MV-AXB-A121-FM-A51JA MV-AXB-A151-FM-A51JA	MV-AXB-A211-FM-A51JA MV-AXB-A221-FM-A51JA MV-AXB-A251-FM-A51JA	Internal Pilot External Pilot External Pilot for use with Regulator	MV-AXB-A312-FM-A51JA MV-AXB-A322-FM-A51JA MV-AXB-A352-FM-A51JA	MV-AXB-A311-FM-A51JA MV-AXB-A321-FM-A51JA MV-AXB-A351-FM-A51JA

DUAL PRESSURE VALVES

SGL. OPERATOR AIR/SPRING RETURN	DBL. OPERATOR 2-POSITION	PILOT SUPPLY	DBL. OPER. 3-POS. PRESSURE CENTER
MV-AXB-A131-FM-A51JA MV-AXB-A135-FM-A51JA MV-AXB-A141-FM-A51JA	MV-AXB-A231-FM-A51JA MV-AXB-A232-FM-A51JA MV-AXB-A241-FM-A51JA	Int. Pilot-From Port 3 Int. Pilot-From Port 5 External Pilot	MV-AXB-A331-FM-A51JA MV-AXB-A332-FM-A51JA MV-AXB-A341-FM-A51JA

SOLENOID PILOT VALVE OPTIONS



BASE TABLE

ISO TYPE	PORT SIZE	INDIVIDUAL BASE		MANIFOLD BASE	
		BSPB	NPTF	BSPB	NPTF
ISO 1	1/4"	MB-A1C-121	MB-A1C-221	MM-A1C-121	MM-A1C-221
	3/8"	MB-A1C-131	MB-A1C-231	MM-A1C-131	MM-A1C-231
ISO 2	3/8"	MB-A2B-121	MB-A2B-221	MM-A2B-121	MM-A2B-221
	1/2"	MB-A2B-131	MB-A2B-231	MM-A2B-131	MM-A2B-231
ISO 3	1/2"	MB-A3B-121	MB-A3B-221	MM-A3B-121	N/A
	3/4"	MB-A3B-131	MB-A3B-231	MM-A3B-131	N/A

For manifold bases a common external pilot port is available. One connection only is required for all valves in the manifold whether single or double solenoid. Bottom ports are also available; consult factory for ordering information for these options.

MANIFOLD FASTENING KIT — For each gang, one kit is required. To order specify part number **N-63002-01**.

Function	Port size	Flow [Max]	Individual/Manifold mounting	Series
5/2 - 5/3	1/2" - 3/4"	6.2 C_v	Valve only - no base	

OPERATIONAL BENEFITS

1. Balanced spool, immune to variations of pressure.
2. Powerful return forces thanks to the combination of mechanical and air springs.
3. Bonded spool with minimum friction, shifting in a glass-like finished bore.
4. Wiping effect eliminates sticking.
5. Long service life.



400
67
69
ISO 2
ISO 3

HOW TO ORDER

SINGLE PRESSURE MODELS

Air spring	5/2 Single operator	5/2 Double operator	5/3 Closed center	5/3 Open center
Internal	MV-R3A-BACF	MV-R3A-BBAK	MV-R3A-BEAK	MV-R3A-BFAK
External	MV-R3A-BACG			

DUAL PRESSURE MODELS

Air spring	5/2 Single operator	5/2 Double operator	5/3 Pressure center
Internal port #3	MV-R3A-BCCH		MV-R3A-BGAK
Internal port #5	MV-R3A-BCCJ	MV-R3A-BDAK	
External	MV-R3A-BCCG		

Note: ISO series, valve and base are ordered separately, see page 239 for base code.

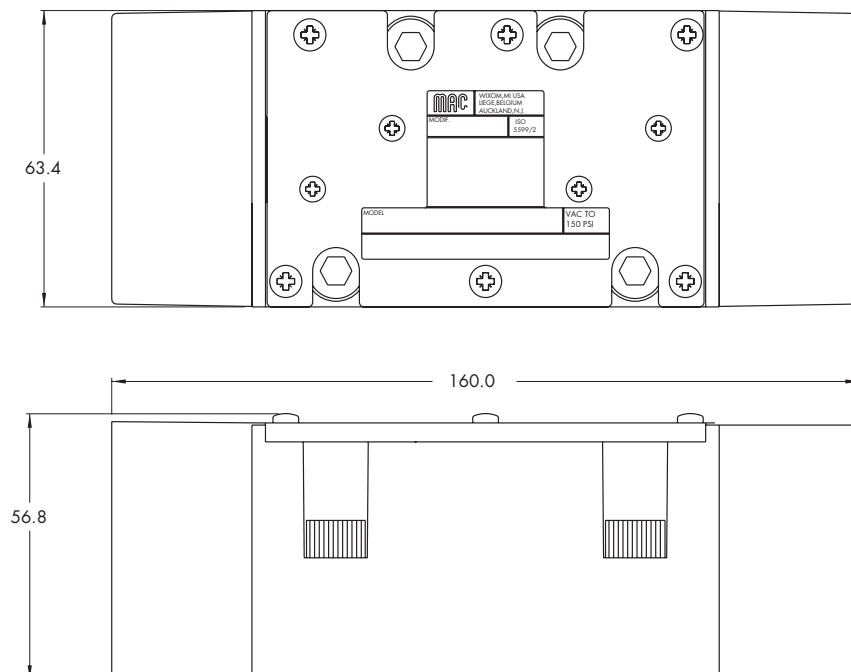
TECHNICAL DATA

Fluid :	Compressed air, vacuum, inert gases
Pressure range :	Vacuum to 150 PSI
Air signal pressure :	Single/double operator: 20 to 150 PSI 3 position: 30 to 150 PSI
Lubrication :	Not required, if used select a medium aniline point lubricant (between 180°F and 210°F)
Filtration :	40 μ
Temperature range :	0°F to 120°F (-18°C to 50°C)
Flow :	1/2" : (5.4 C _v) - 3/4" : (6.2 C _v)

Spare parts : • Valve to base pressure seal: 16614 • Valve mounting screws (x4): 35451

DIMENSIONS

Dimensions shown are metric (mm)



Non plug-in base / manifold

- ISO 01
- ISO 02
- ISO 1
- ISO 2
- ISO 3



HOW TO ORDER

INDIVIDUAL BASE

Port size	Side ports	Bottom ports	Bottom cylinder ports 2 and 4.	Bottom inlet port 1
1/2" NPTF	MB-A3B-221	MB-A3B-223	MB-A3B-222	MB-A3B-224
3/4" NPTF	MB-A3B-231	MB-A3B-233	MB-A3B-232	MB-A3B-234

MANIFOLD BASE

Port size	Side ports	Bottom ports	Bottom cylinder ports 2 and 4.	Bottom inlet port 1
1/2" NPTF	MM-B3A-221-A	MM-B3A-223-A	MM-B3A-222-A	MM-B3A-224-A
3/4" NPTF	MM-B3A-231-A	MM-B3A-233-A	MM-B3A-232-A	MM-B3A-234-A

Manifold fastening kit: N-P3003-01.
 Valve blanking plate: M-P3001.
 Inlet/exhaust isolator plug: 32845.

Individual Base Options:

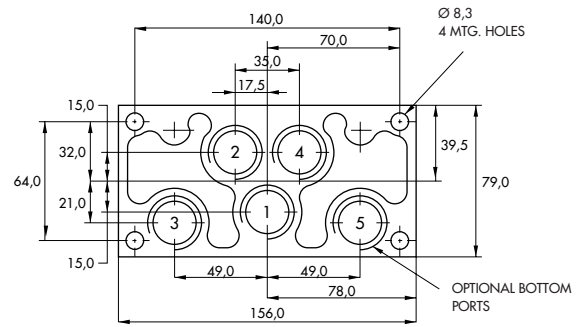
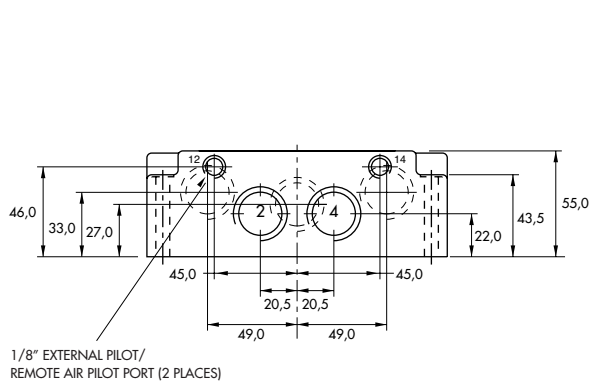
MB-A3B-XXXF Optional Integral Flow Controls

DIMENSIONS

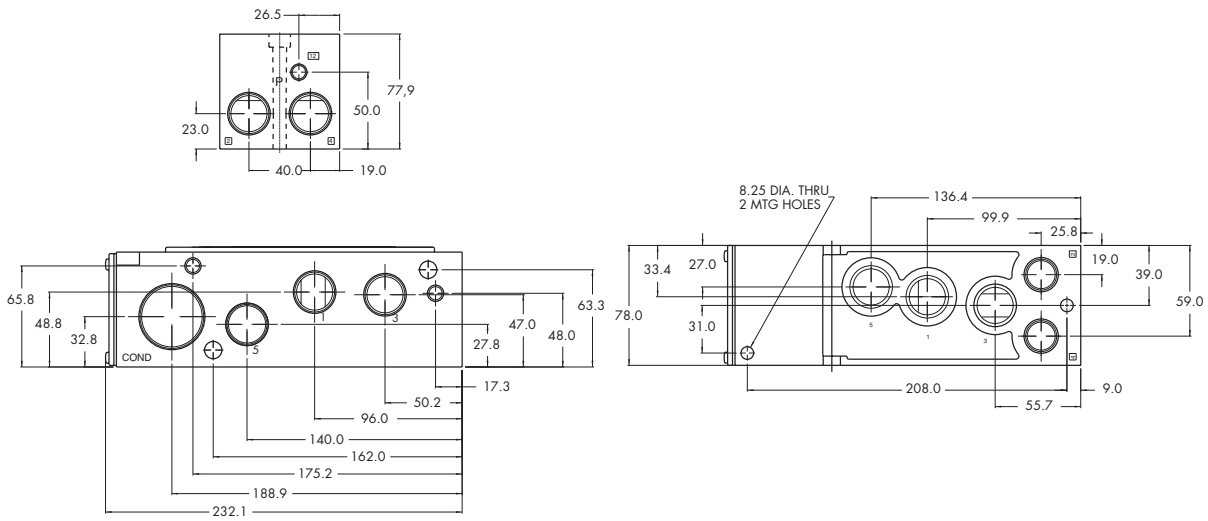
Dimensions shown are metric (mm)

Individual

ISO DIN 5599/1



Manifold



Plug-in manifold



ISO 01
ISO 02
ISO 1
ISO 2
ISO 3

HOW TO ORDER

MANIFOLD BASE

Port size	Wired for	Side ports	Side ports w/ bottom 2 & 4 ports	All side & bottom ports (see note)
1/2" NPTF	Single solenoid	MM-P3A-221-A	MM-P3A-222-A	MM-P3A-223-A
	Double solenoid	MM-P3A-221-B	MM-P3A-222-B	MM-P3A-223-B
3/4" NPTF	Single solenoid	MM-P3A-231-A	MM-P3A-232-A	MM-P3A-233-A
	Double solenoid	MM-P3A-231-B	MM-P3A-232-B	MM-P3A-233-B

Note : Ports 1, 3 & 5 are always 3/4"

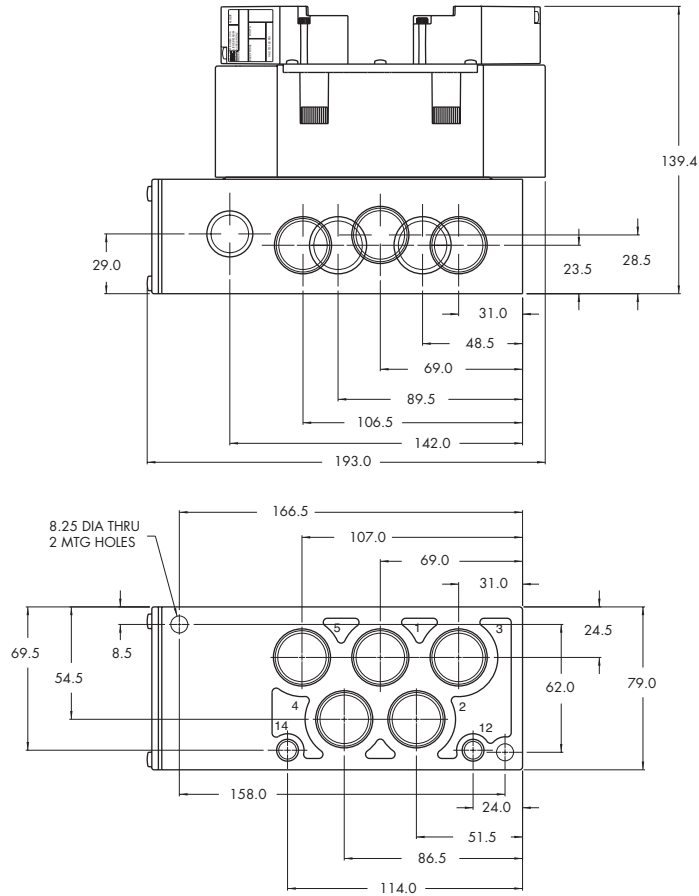
OPTIONS

Manifold options :	External pilot	MM-P3A- 22 -x-x	25 for 1/2" port – common external pilot 26 for 3/4" port – common external pilot
	Terminal strip	MM-P3A-xxx- A	J wired for sgl solenoid K wired for double solenoid
	light(s)	MM-P3A-xxx-x JA	JA 110/120 volt JB 220/240 volt DA 24 volt

Accessories: M-P3001 Valve blanking plate.
N-P3003-01 Manifold fastening kit.
32845 Inlet/exhaust isolator plug.

DIMENSIONS

Dimensions shown are metric (mm)



Non plug-in sandwich pressure regulator with manual adjust knob

OPERATIONAL BENEFITS

1. Easy mounting : saves on installation costs in comparison with inline regulators.
2. Allows to have compact, all-included units.
3. Large orifice provides high flow.
4. Various functions available.
5. Simple, reliable and solid design.



PR37A
PR42B
PR46A
PR47A
PR48B

PR92C

HOW TO ORDER

INTERNAL PILOT

Gage	Single pressure Regulator 14 end Same regulated pressure to ports 2 and 4	Single pressure Regulator 12 end Same regulated pressure to ports 2 and 4	Dual pressure Regulator 14 end Regulated pressure to port 4 *	Dual pressure Regulator 12 end Regulated pressure to port 2 *	Dual pressure Dual regulator Two regulated pressures to ports 2 and 4 *
No gage	PRA3C-1AAA	PRA3C-1EAA	PRA3C-1BAA	PRA3C-1FAA	PRA3C-1JAA
Non-filled gage on regulator(s)	PRA3C-1ADA	PRA3C-1EDA	PRA3C-1BDA	PRA3C-1FDA	PRA3C-1JEA
Non-filled gage opposite to regulator	PRA3C-1CDA	PRA3C-1GDA	PRA3C-1DDA	PRA3C-1HDA	-----
Glycerine filled gage on regulator(s)	PRA3C-1ABA	PRA3C-1EBA	PRA3C-1BBA	PRA3C-1FBA	PRA3C-1JCA
Glycerine filled gage opposite to regulator	PRA3C-1CBA	PRA3C-1GBA	PRA3C-1DBA	PRA3C-1HBA	-----

PR93A

PRA01A

PRA02A

PRA1A

EXTERNAL PILOT AND REMOTE AIR

Gage	Single pressure Regulator 14 end Same regulated pressure to ports 2 and 4	Single pressure Regulator 12 end Same regulated pressure to ports 2 and 4	Dual pressure Regulator 14 end Regulated pressure to port 4 *	Dual pressure Regulator 12 end Regulated pressure to port 2 *	Dual pressure Dual regulator Two regulated pressures to ports 2 and 4 *
No gage	PRA3C-2AAA	PRA3C-2EAA	PRA3C-2BAA	PRA3C-2FAA	PRA3C-2JAA
Non-filled gage on regulator(s)	PRA3C-2ADA	PRA3C-2EDA	PRA3C-2BDA	PRA3C-2FDA	PRA3C-2JEA
Non-filled gage opposite to regulator	PRA3C-2CDA	PRA3C-2GDA	PRA3C-2DDA	PRA3C-2HDA	-----
Glycerine filled gage on regulator(s)	PRA3C-2ABA	PRA3C-2EBA	PRA3C-2BBA	PRA3C-2FBA	PRA3C-2JCA
Glycerine filled gage opposite to regulator	PRA3C-2CBA	PRA3C-2GBA	PRA3C-2DBA	PRA3C-2HBA	-----

PRP1A

PRA2D

PRP2B

* - To be used with dual pressure valves.
Note : regulating range for above models is 0-150 PSI.
For other ranges see technical data page.

Main valve body assembly must be external pilot model. Pilots are supplied internally from primary pressure in regulator block. Cannot field convert regulator block from Single Pressure to dual pressure. Body/Block to base mounting screw #35418.

ADJUSTMENT OPTIONS

PRA3C-xxxx

- A for slotted stem adjustment (internal pilot)
- B for slotted stem adjustment (external pilot)
- D for slotted stem with locknut (internal pilot)
- E for slotted stem with locknut (external pilot)

PRA3C

PRP3B

TECHNICAL DATA

Fluid :	Compressed air, inert gases
Pressure range :	0 to 150 PSI
Regulating range :	0 to 150 PSI (other ranges see below)
Lubrication :	Not required, if used select a medium aniline point lubricant (between 180°F to 210°F)
Filtration :	40 μ
Temperature range :	0°F to 120°F (-18°C to +50°C)
Flow :	5.4 C _v

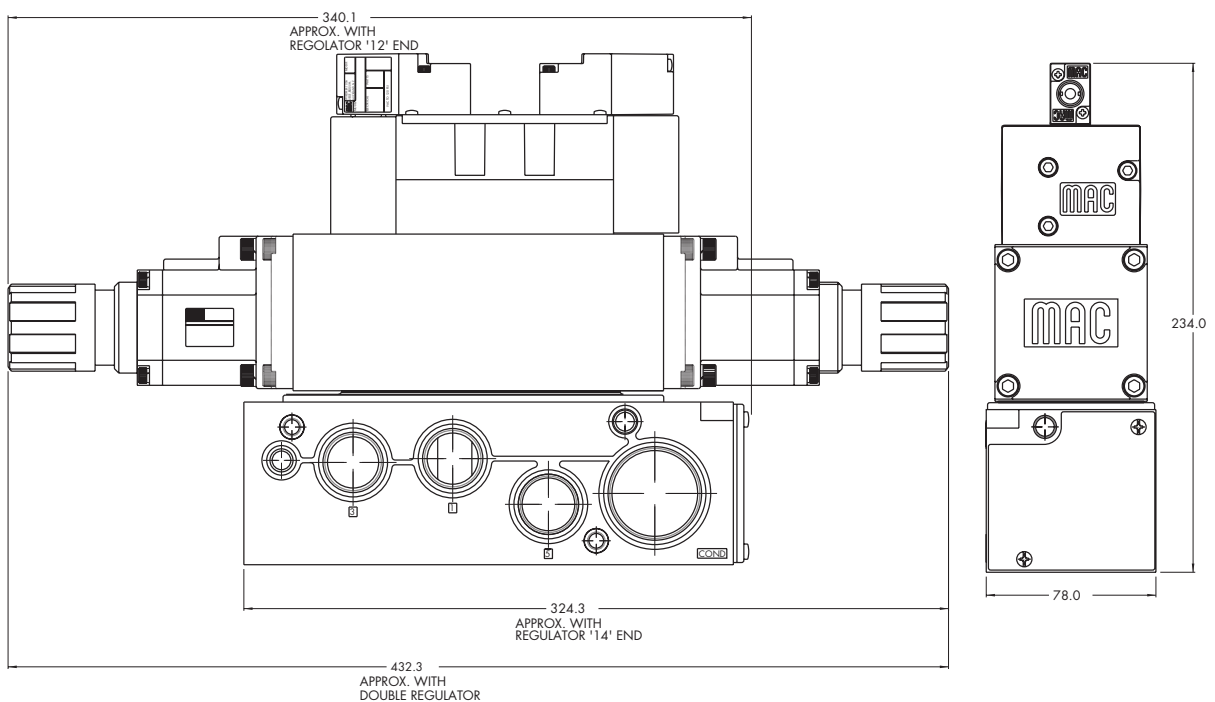
Spare parts :
 • Pressure regulator (less sandwich block) : PRA3C-30AA (KNOB), PRA3C-C0AA (SLOTTED STEM), PRA3C-F0AA (SLOTTED STEM WITH LOCKNUT).
 • Gage : • Glycerine filled : N-62015-01
 • Non filled : N-62016-01

Regulating range options : PRA3C-XXXX

- Replace by B - 0 to 100 PSI
- Replace by C - 0 to 45 PSI

DIMENSIONS

Dimensions shown are metric (mm)



Non plug-in sandwich pressure regulator with air pilot adjust

OPERATIONAL BENEFITS

1. Easy mounting : saves on installation costs in comparison with inline regulators.
2. Allows to have compact, all-included units.
3. Large orifice provides high flow.
4. Various functions available.
5. Simple, reliable and solid design.



PR37A
PR42B
PR46A
PR47A
PR48B

PR92C

HOW TO ORDER

INTERNAL PILOT

Gage	Single pressure Regulator 14 end Same regulated pressure to ports 2 and 4	Single pressure Regulator 12 end Same regulated pressure to ports 2 and 4	Dual pressure Regulator 14 end Regulated pressure to port 4 *	Dual pressure Regulator 12 end Regulated pressure to port 2 *	Dual pressure Dual regulator Two regulated pressures to ports 2 and 4 *
No gage	PRA3C-4AAA	PRA3C-4EAA	PRA3C-4BAA	PRA3C-4FAA	PRA3C-4JAA
Non-filled gage on regulator(s)	PRA3C-4ADA	PRA3C-4EDA	PRA3C-4BDA	PRA3C-4FDA	PRA3C-4JEA
Non-filled gage opposite to regulator	PRA3C-4CDA	PRA3C-4GDA	PRA3C-4DDA	PRA3C-4HDA	-----
Glycerine filled gage on regulator(s)	PRA3C-4ABA	PRA3C-4EBA	PRA3C-4BBA	PRA3C-4FBA	PRA3C-4JCA
Glycerine filled gage opposite to regulator	PRA3C-4CBA	PRA3C-4GBA	PRA3C-4DBA	PRA3C-4HBA	-----

PR93A

PRA01A
PRA02A

PRA1A

EXTERNAL PILOT AND REMOTE AIR

Gage	Single pressure Regulator 14 end Same regulated pressure to ports 2 and 4	Single pressure Regulator 12 end Same regulated pressure to ports 2 and 4	Dual pressure Regulator 14 end Regulated pressure to port 4 *	Dual pressure Regulator 12 end Regulated pressure to port 2 *	Dual pressure Dual regulator Two regulated pressures to ports 2 and 4 *
No gage	PRA3C-5AAA	PRA3C-5EAA	PRA3C-5BAA	PRA3C-5FAA	PRA3C-5JAA
Non-filled gage on regulator(s)	PRA3C-5ADA	PRA3C-5EDA	PRA3C-5BDA	PRA3C-5FDA	PRA3C-5JEA
Non-filled gage opposite to regulator	PRA3C-5CDA	PRA3C-5GDA	PRA3C-5DDA	PRA3C-5HDA	-----
Glycerine filled gage on regulator(s)	PRA3C-5ABA	PRA3C-5EBA	PRA3C-5BBA	PRA3C-5FBA	PRA3C-5JCA
Glycerine filled gage opposite to regulator	PRA3C-5CBA	PRA3C-5GBA	PRA3C-5DBA	PRA3C-5HBA	-----

PRP1A

PRA2D

PRP2B

* - To be used with dual pressure valves.

Main valve body assembly must be external pilot model. Pilots are supplied internally from primary pressure in regulator block. Cannot field convert regulator block from Single Pressure to dual pressure. Body/Block to base mounting screw #35418.

PRA3C

PRP3B

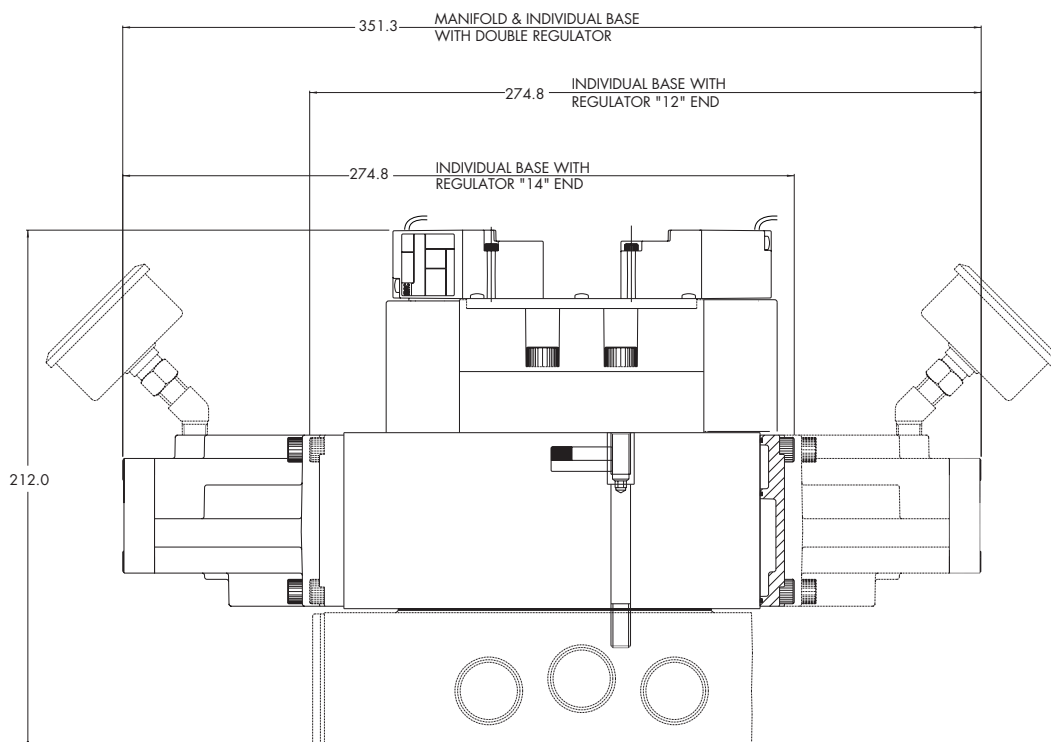
TECHNICAL DATA

Fluid :	Compressed air, inert gases
Pressure range :	0 to 150 PSI
Regulating range :	0 to 150 PSI
Lubrication :	Not required, if used select a medium aniline point lubricant (between 180°F to 210°F)
Filtration :	40 μ
Temperature range :	0°F to 120°F (-18°C to +50°C)
Flow :	5.4 C _v

- Spare parts :
- Pressure regulator (less sandwich block) : PRA3C-60AA.
 - Gage : • Glycerine filled : N-62015-01
• Non filled : N-62016-01

DIMENSIONS

Dimensions shown are metric (mm)



Plug-in sandwich pressure regulator with manual adjust knob

OPERATIONAL BENEFITS

1. Easy mounting; saves on installation costs in comparison with inline regulators.
2. Compact all-included units.
3. Large orifice provides high flow.
4. Various functions available.
5. Simple, reliable and solid design.



PR37A
PR42B
PR46A
PR47A
PR48B

PR92C

HOW TO ORDER

REGULATORS FOR INTERNAL PILOT (CODED FOR KNOB ADJUSTMENT)

Gage	Single pressure Regulator 14 end Same regulated pressure to ports 2 and 4	Single pressure Regulator 12 end Same regulated pressure to ports 2 and 4	Dual pressure Regulator 14 end Regulated pressure to port 4 *	Dual pressure Regulator 12 end Regulated pressure to port 2 *	Dual pressure Dual regulator Two regulated pressures to ports 2 and 4 *
No gage	PRP3B-AAAA	PRP3B-AEAA	PRP3B-ABAA	PRP3B-AFAA	PRP3B-AJAA
Glycerine gage	PRP3B-AABA	PRP3B-AEBA	PRP3B-ABBA	PRP3B-AFBA	PRP3B-AJCA
Non-filled gage	PRP3B-AADA	PRP3B-AEDA	PRP3B-ABDA	PRP3B-AFDA	PRP3B-AJEA

PR93A

PRA01A
PRA02A

REGULATORS FOR EXTERNAL PILOT AND REMOTE AIR (CODED FOR KNOB ADJUSTMENT)

Gage	Single pressure Regulator 14 end Same regulated pressure to ports 2 and 4	Single pressure Regulator 12 end Same regulated pressure to ports 2 and 4	Dual pressure Regulator 14 end Regulated pressure to port 4 *	Dual pressure Regulator 12 end Regulated pressure to port 2 *	Dual pressure Dual regulator Two regulated pressures to ports 2 and 4 *
No gage	PRP3B-BAAA	PRP3B-BEAA	PRP3B-BBAA	PRP3B-BFAA	PRP3B-BJAA
Glycerine gage	PRP3B-BABA	PRP3B-BEBA	PRP3B-BBBA	PRP3B-BFBA	PRP3B-BJCA
Non-filled gage	PRP3B-BADA	PRP3B-BEDA	PRP3B-BBDA	PRP3B-BFDA	PRP3B-BJEA

PRA1A
PRP1A
PRA2D
PRP2B

* For use with dual pressure valves.

ADJUSTMENT OPTIONS

PRP3B-xxxx

- G** for slotted stem (internal pilot)
- H** for slotted stem (external pilot)
- K** for slotted stem with locknut (internal pilot)
- L** for slotted stem with locknut (external pilot)

Notes:

1. Regulating range for above models is 0-150 PSI. For other ranges, see technical data page.
2. Valves used with above models must be external pilot models.
3. Cannot field convert regulator block from single pressure to dual pressure.
4. Cannot field convert from internal pilot to external pilot.
5. Wired for double solenoid valves.

PRA3C
PRP3B

TECHNICAL DATA

Fluid :	Compressed air, inert gases
Pressure range :	0 to 150 PSI
Regulating range :	0 to 150 PSI (other ranges see below)
Lubrication :	Not required, if used select a medium aniline point lubricant (between 180°F to 210°F)
Filtration :	40 μ
Temperature range :	0°F to 120°F (-18°C to +50°C)
Flow :	5.4 C _v

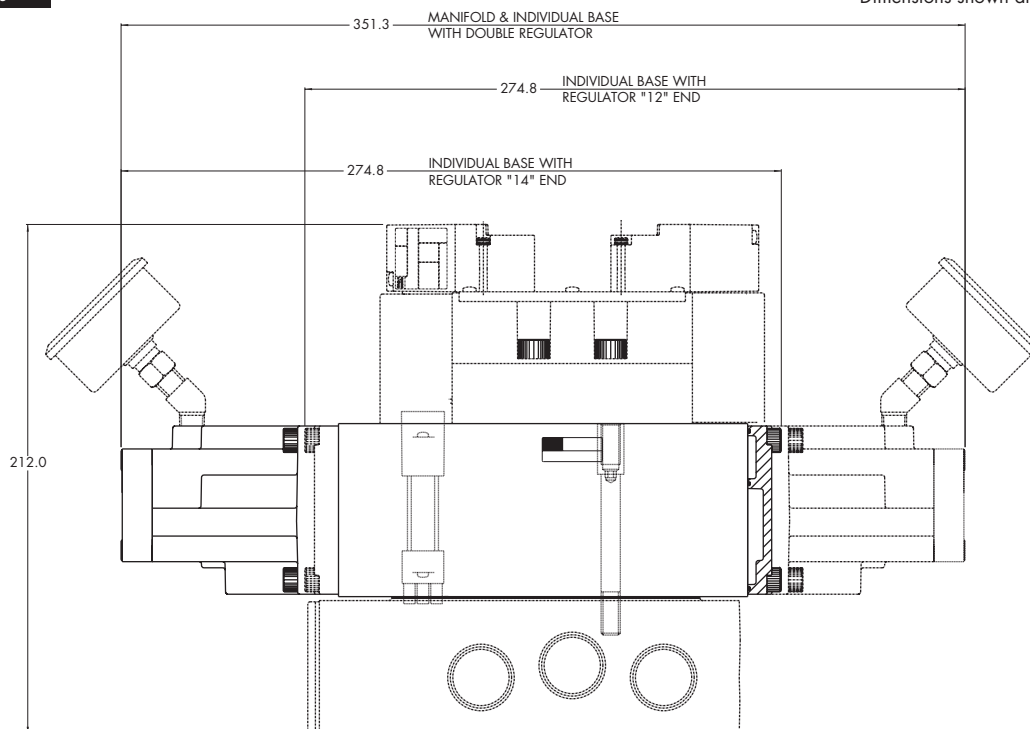
Spare parts :

- Pressure regulator (less sandwich block): PRP3B-C0AA (knob), PRP3B-J0AA (slotted stem), PRP3B-M0AA (slotted stem with locknut)
- Regulating block to base mounting screw: 19457
- Regulating range options: PRP3B-xxxA

— Replace by B for 0 to 100 PSI
— Replace by C for 0 to 45 PSI

DIMENSIONS

Dimensions shown are metric (mm)



Plug-in sandwich pressure regulator with air pilot adjust

OPERATIONAL BENEFITS

1. Easy mounting; saves on installation costs in comparison with inline regulators.
2. Compact all-included units.
3. Large orifice provides high flow.
4. Various functions available.
5. Simple, reliable and solid design.



PR37A
PR42B
PR46A
PR47A
PR48B

PR92C

HOW TO ORDER

REGULATORS FOR INTERNAL PILOT

Gage	Single pressure Regulator 14 end Same regulated pressure to ports 2 and 4	Single pressure Regulator 12 end Same regulated pressure to ports 2 and 4	Dual pressure Regulator 14 end Regulated pressure to port 4 *	Dual pressure Regulator 12 end Regulated pressure to port 2 *	Dual pressure Dual regulator Two regulated pressures to ports 2 and 4 *
No gage	PRP3B-DAAA	PRP3B-DEAA	PRP3B-DBAA	PRP3B-DFAA	PRP3B-DJAA
Glycerine gage	PRP3B-DABA	PRP3B-DEBA	PRP3B-DBBA	PRP3B-DFBA	PRP3B-DJCA
Non-filled gage	PRP3B-DADA	PRP3B-DEDA	PRP3B-DBDA	PRP3B-DFDA	PRP3B-DJEA

PR93A

PRA01A
PRA02A

REGULATORS FOR EXTERNAL PILOT AND REMOTE AIR

Gage	Single pressure Regulator 14 end Same regulated pressure to ports 2 and 4	Single pressure Regulator 12 end Same regulated pressure to ports 2 and 4	Dual pressure Regulator 14 end Regulated pressure to port 4 *	Dual pressure Regulator 12 end Regulated pressure to port 2 *	Dual pressure Dual regulator Two regulated pressures to ports 2 and 4 *
No gage	PRP3B-EAAA	PRP3B-EEAA	PRP3B-EBAA	PRP3B-EFAA	PRP3B-EJAA
Glycerine gage	PRP3B-EABA	PRP3B-EEBA	PRP3B-EBBA	PRP3B-EFBA	PRP3B-EJCA
Non-filled gage	PRP3B-EADA	PRP3B-EEDA	PRP3B-EBDA	PRP3B-EFDA	PRP3B-EJEA

PRA1A
PRP1A
PRA2D
PRP2B

* - To be used with dual pressure valves.

Notes:

1. Valves used with above models must be external pilot models.
2. Cannot field convert regulator block from single pressure to dual pressure.
3. Cannot field convert from internal pilot to external pilot.
4. Wired for double solenoid valves.

PRA3C

PRP3B

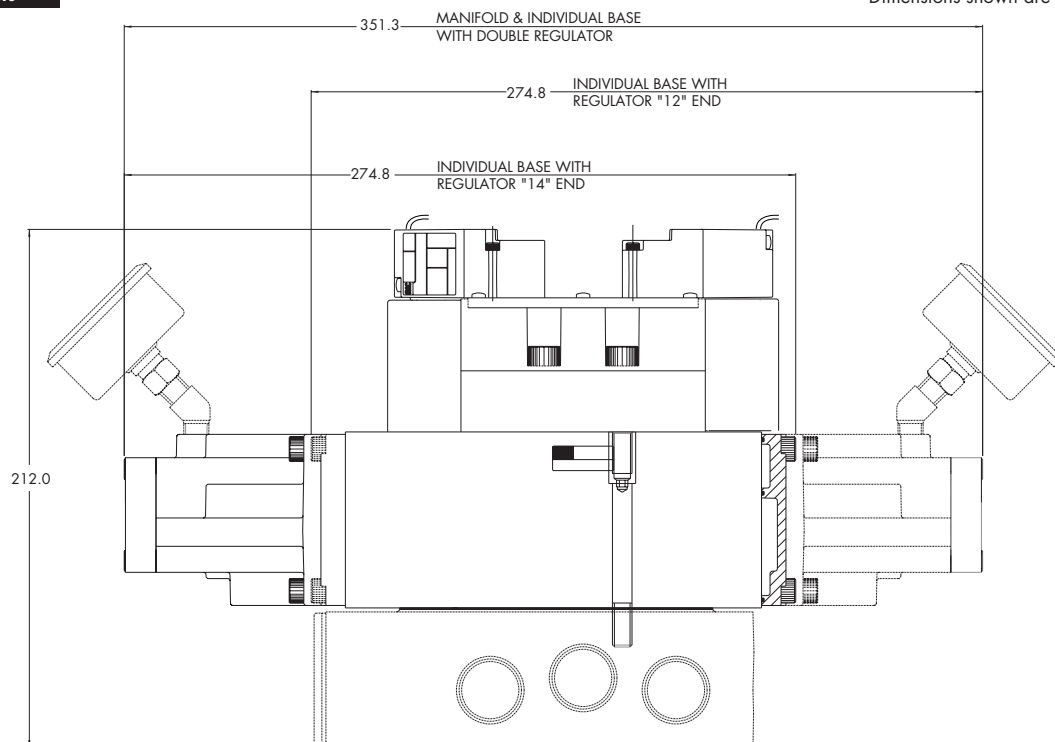
TECHNICAL DATA

Fluid :	Compressed air, inert gases
Pressure range :	0 to 150 PSI
Regulating range :	0 to 150 PSI
Lubrication :	Not required, if used select a medium aniline point lubricant (between 180°F to 210°F)
Filtration :	40 μ
Temperature range :	0°F to 120°F (-18°C to +50°C)
Flow :	5.4 C _v

- Spare parts :
- Pressure regulator (less sandwich block): PRP3B-F0AA
 - Regulator block to base mounting screw: 19457

DIMENSIONS

Dimensions shown are metric (mm)





Codification table for voltages / Manual operator / Electrical connection

VALVE CODE > **-DM- D XX X-X XX**
1 2 3 4

OPTIONS AVAILABLE FOR

- Pilot operated valves 52, 67, 92, 93, 400, ISO1, ISO2, ISO3 Series

1. VOLTAGE		4. ELECTRICAL CONNECTION	
D-XX X-X XX	VOLTAGE	D-XX X-X XX	ELECTRICAL CONNECTION
DA	24 VDC (5.4W)	BA*	Flying leads (grommet)
DB	12 VDC (5.4W)	BK*	BA with protection diode
DC	12 VDC (7.5W)	BL*	BA with protection varistor
DD	24 VDC (7.3W)	BM**	Flying leads (solenoid plug-in)
DE	12 VDC (12.7W)	BN**	BM with protection diode
DF	24 VDC (12.7W)	BP**	BM with protection varistor
DK	110 VDC (4.7W)	BG**	BM with ground
DJ	28 VDC (5.2W)	BH**	BM with protection diode & ground
DL	64 VDC (6.0W)	BJ**	BM with protection varistor & ground
DM	36 VDC (5.3W)	CA*	1/2" NPS conduit with flying leads
DN	6 VDC (6.0W)	CM*	1/2" NPS metal conduit with flying leads
DR	90 VDC (6.6W)	CN*	1/2" NPS metal conduit with flying leads & ground
DS	110 VDC (7.3W)	JB	Rectangular connector
DT	75 VDC (5.6W)	JD	JB with light
DP	48 VDC (5.8W)	JM	Rectangular connector (male only)
FA	12 VDC (1.8W)	KA	Mini square connector
FB	24 VDC (1.8W)	KB	KA with protection diode
FE	12 VDC (2.4W)	KC	KA with protection varistor
FF	24 VDC (2.4W)	KD	KA with light
JA	120/60, 110/50 (2.9W)	KE	KA with light and protection diode
JB	240/60, 220/50 (2.9W)	KF	KA with light and protection varistor
JC	24/60, 24/50 (3.7W)	KG	KA with light & diode
JD	100/60, 100/50, 110/60 (3.9W)	KJ	Mini square connector (male only)
JE	220/60 (3.4W)	KK	KJ with protection diode (male only)
JF	240/50 (2.8W)	KL	KJ with protection varistor (male only)
JG	200/60, 200/50 (3.9W)	TA	Dual tabs with receptacles
		TB	TA with protection diode
		TD	TA with light
		TE	TA with light and protection diode
		TJ	Dual tabs (male only)
		TK	TJ with protection diode
		TM	TJ with light
		TN	TJ with light and protection diode

2. WIRE LENGTH	
D-XX X-X XX	WIRE LENGTH
0	No wires
A	18"
B	24"
C	36"
D	48"
E	72"
F	96"

3. MANUAL OPERATOR	
D-XX X-X XX	MANUAL OPERATOR
0	No operator
1	Non-locking recessed
2	Locking recessed
3	Non-locking extended
4	Locking extended

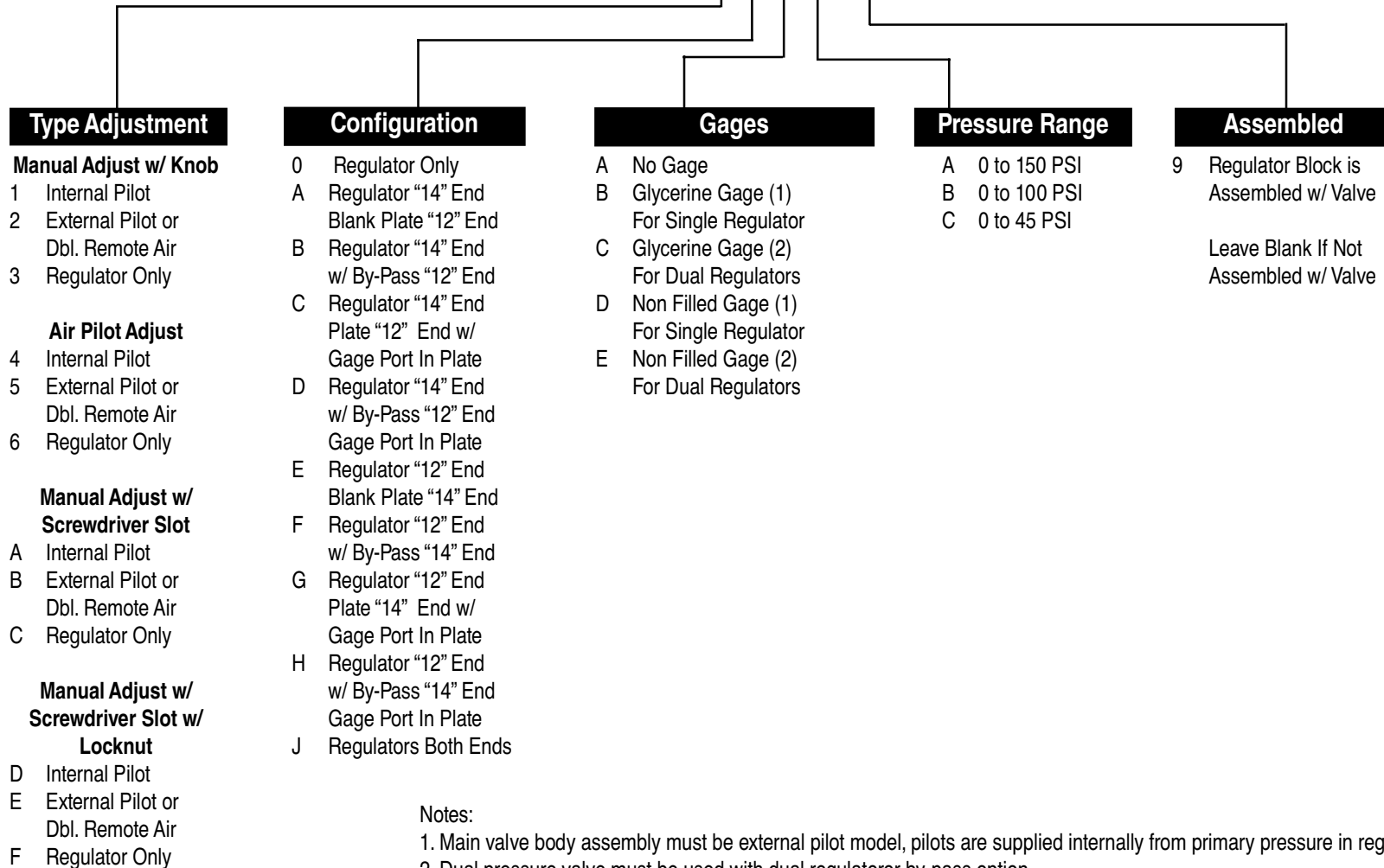
* From Lead wire length options choose A through F

** From Lead wire length options choose 0 through F

Note: When coil is above 30 volts, a ground wire is required. Applies to options with flying leads.

How To Order ISO 3 Non Plug-In Regulator

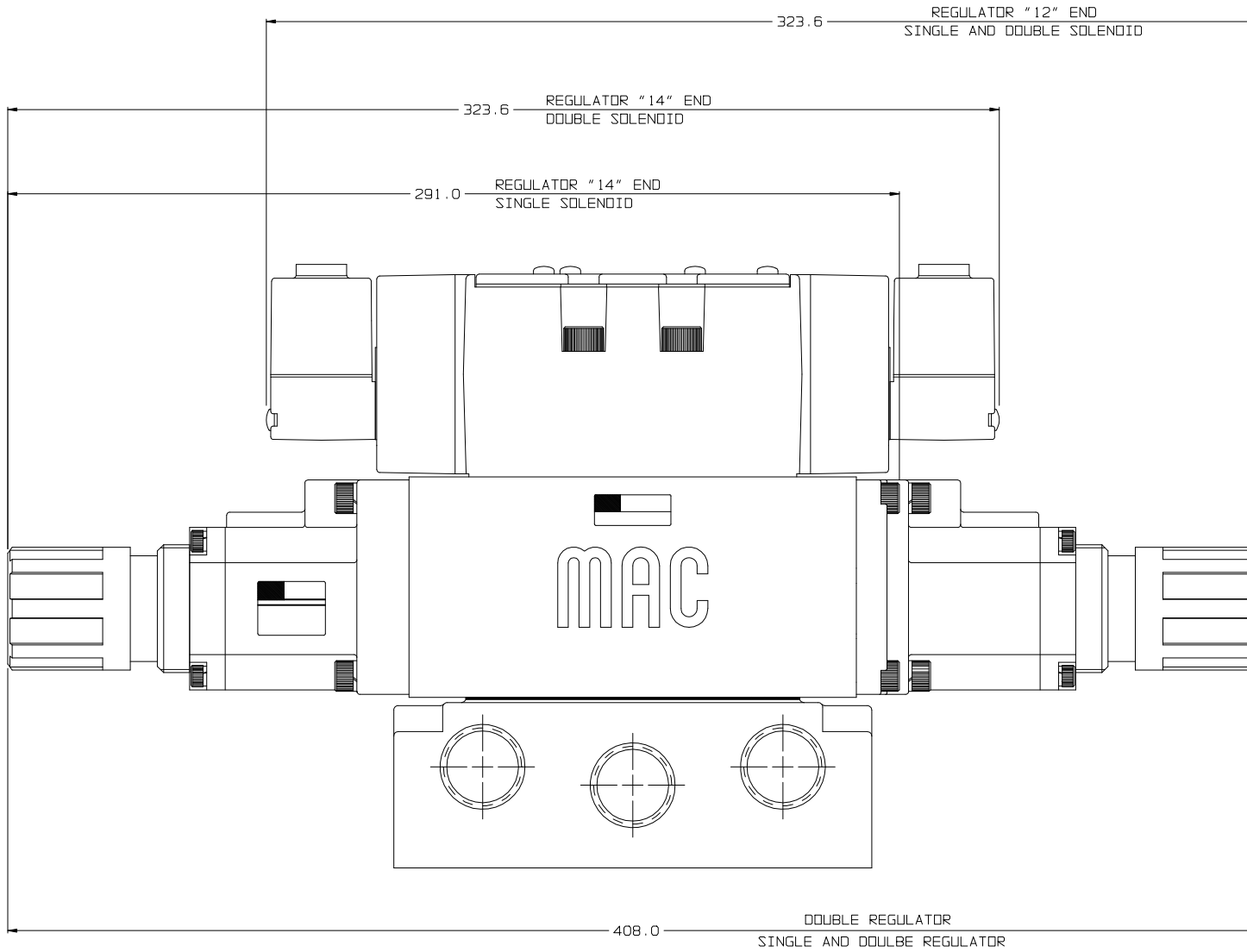
PRA3C - X X X X - X



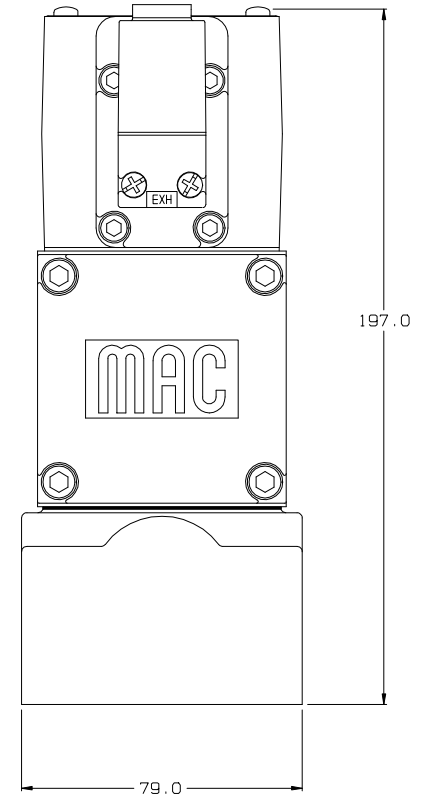
Notes:

1. Main valve body assembly must be external pilot model, pilots are supplied internally from primary pressure in regulator block.
2. Dual pressure valve must be used with dual regulator or by-pass option.
3. Cannot field convert regulator block from single pressure to dual pressure.
4. Cannot field convert pilot type (Internal to external pilot).
5. Regulator block to base mounting screw (#35418).

IS03 NON PLUG-IN BASE WITH REGULATOR (PRA3C-XXXX)

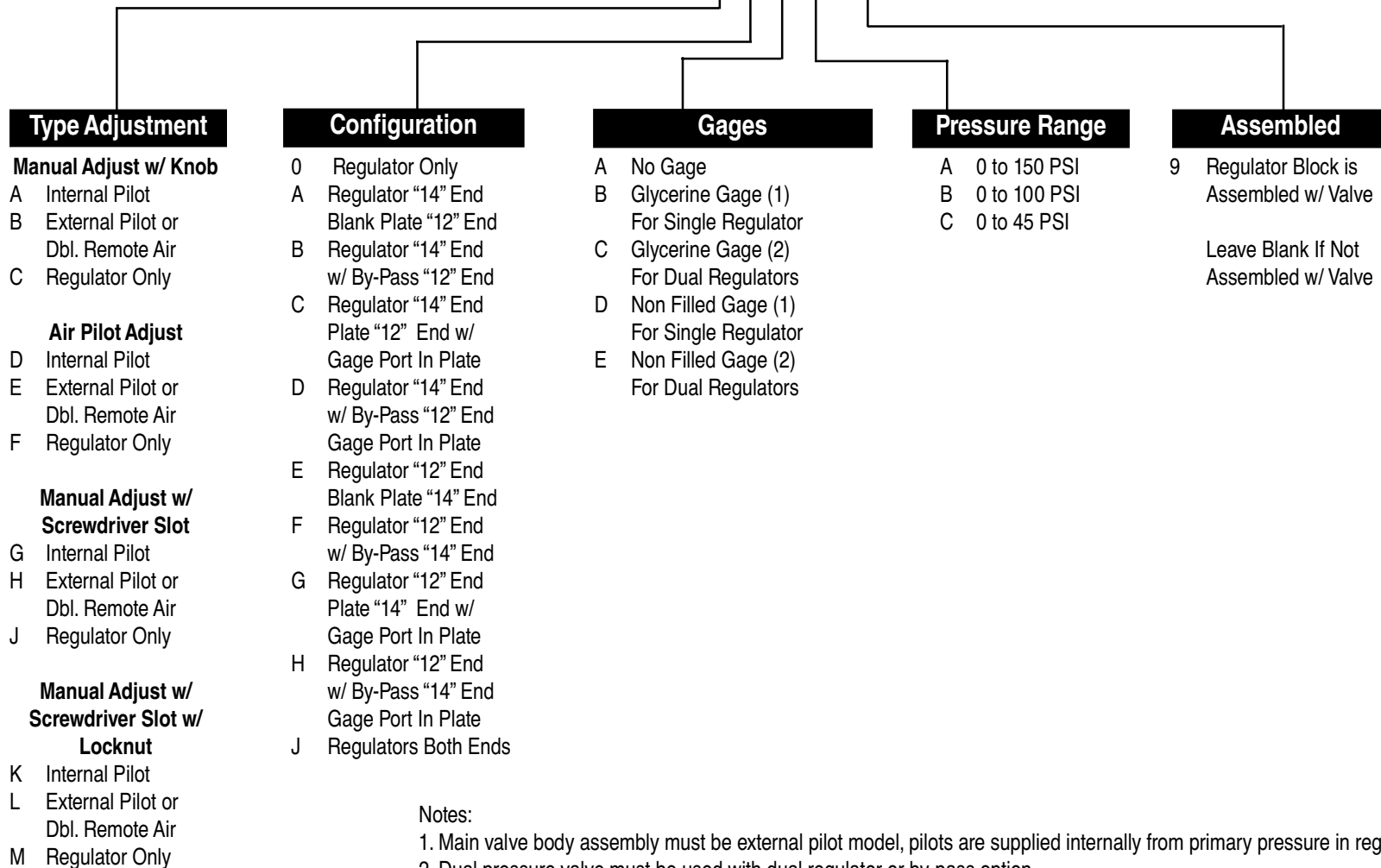


*ALL DIMENSIONS SHOWN
ARE IN MILLIMETERS



How To Order ISO 3 Plug-In Regulator

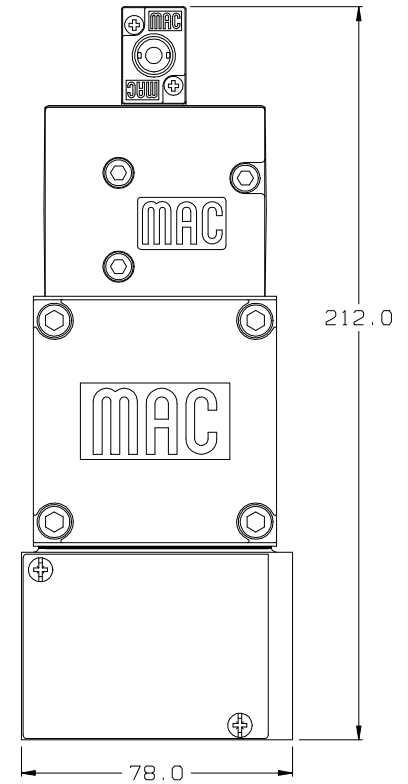
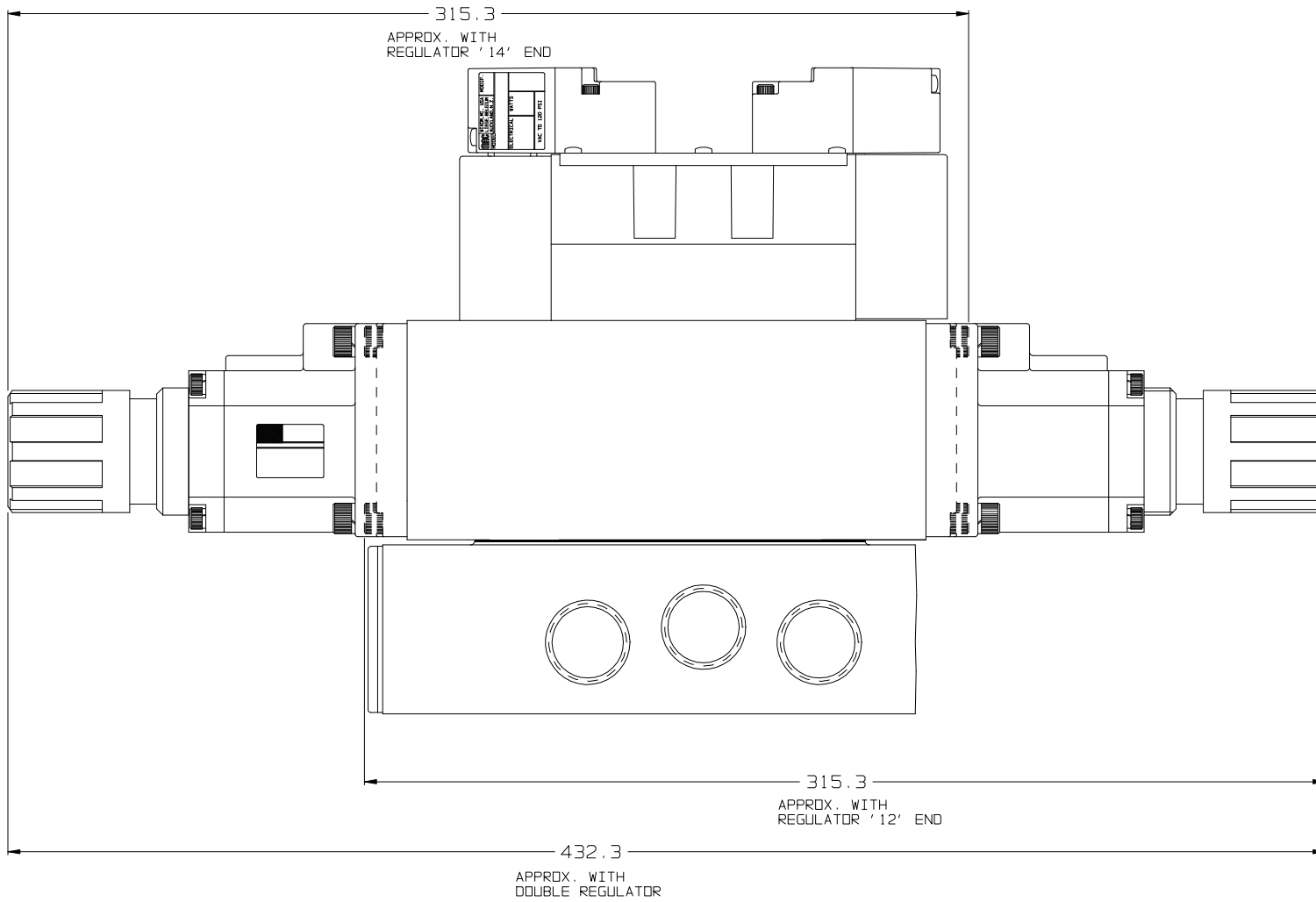
PRP3B - X X X X - X



Notes:

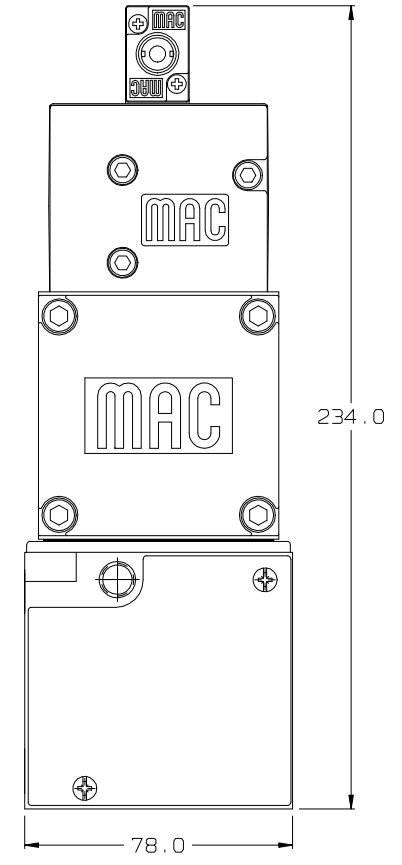
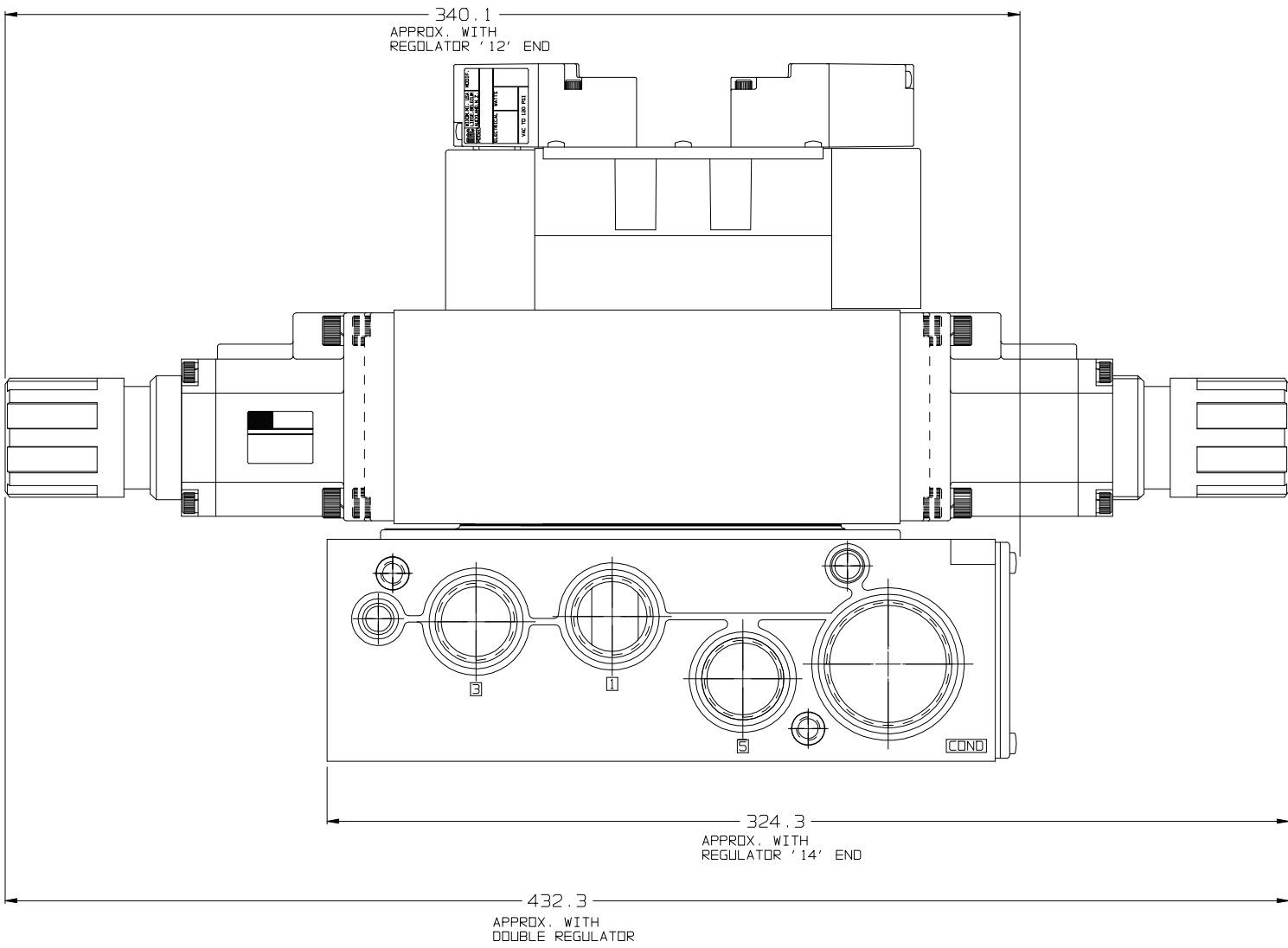
1. Main valve body assembly must be external pilot model, pilots are supplied internally from primary pressure in regulator block.
2. Dual pressure valve must be used with dual regulator or by-pass option.
3. Cannot field convert regulator block from single pressure to dual pressure.
4. Regulator block assembly is furnished with double wire assembly.
5. Tie rod to assemble regulator block to base (#19457 - 4mm hex recess).

ISO3 PLUG-IN BASE WITH REGULATOR (PRP3B-XXXX)



*ALL DIMENSIONS SHOWN
ARE IN MILLIMETERS

IS03 PLUG-IN MANIFOLD WITH REGULATOR (PRP3B-XXXX)



*ALL DIMENSIONS SHOWN
ARE IN MILLIMETERS