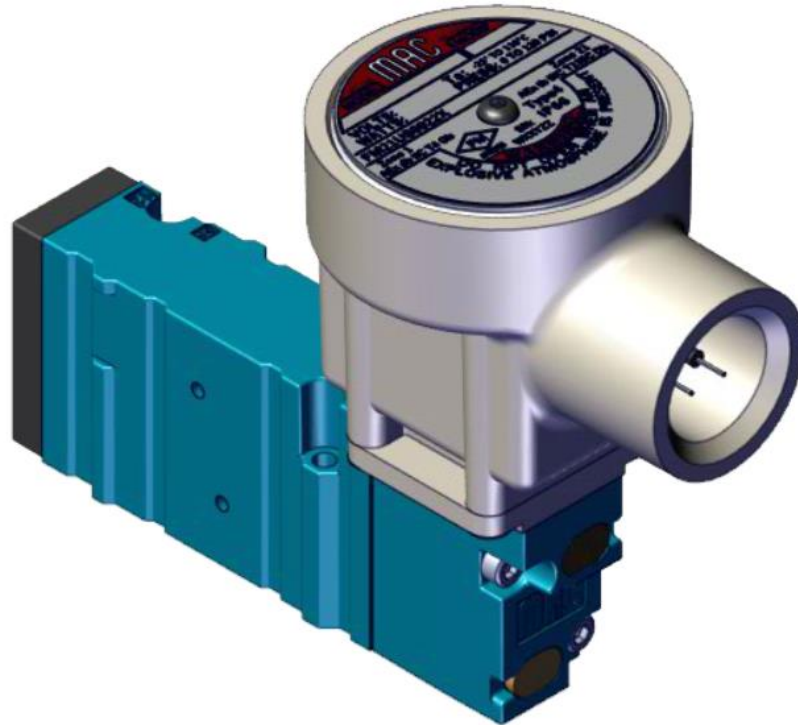
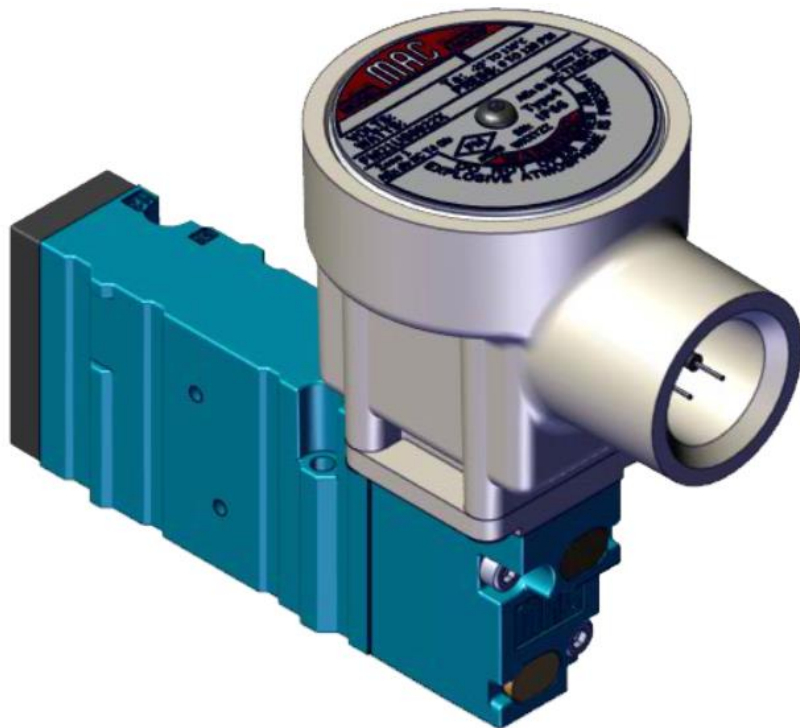


MAC Hazardous Location Solenoid



Model shown fitted to MAC 400 Series

MAC Hazardous Location Solenoid



Comprehensive Global Approvals

NEC 500 / NEC 505, 506 / CEC /
Class 1 / Div 1 A, B, C, D
Class 2 / Div 2 E, F, G



IECEx

AEx db IIC T4 Gb
AEx tb IIIC T135C Db

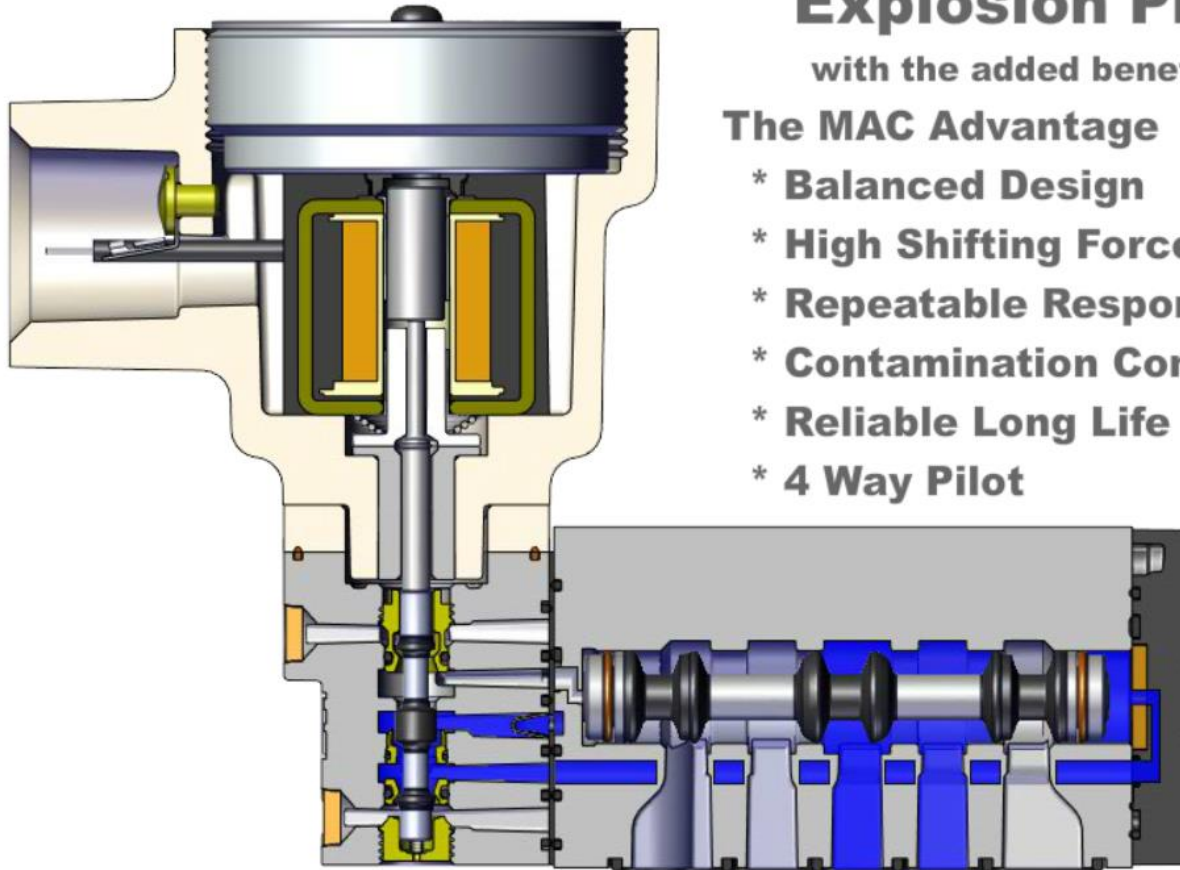
NEMA 4 / IP66



ATEX

II 2 G Ex db IIC T4 Gb
II 2 D Ex tb IIIC T135C Db

MAC Hazardous Location Solenoid



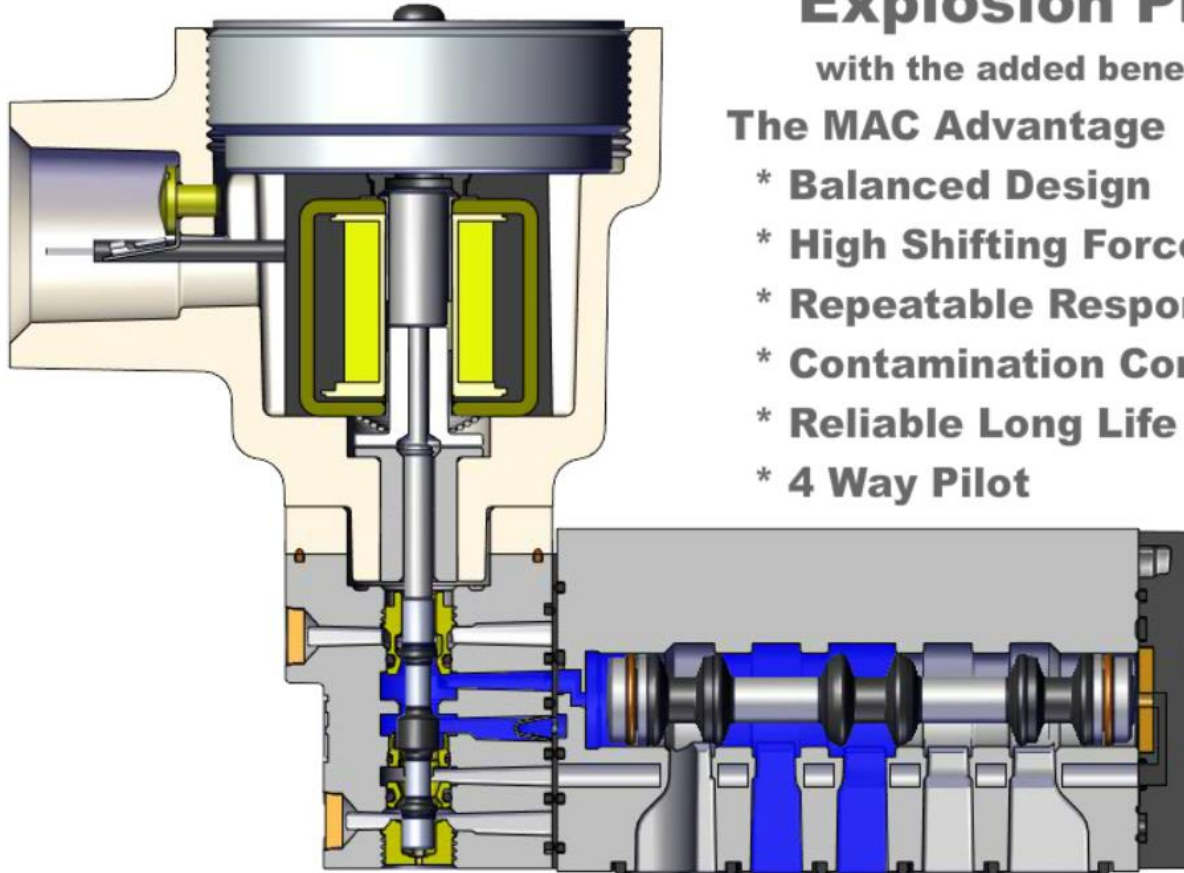
Explosion Proof

with the added benefits of

The MAC Advantage

- * **Balanced Design**
- * **High Shifting Forces**
- * **Repeatable Response Times**
- * **Contamination Control**
- * **Reliable Long Life**
- * **4 Way Pilot**

MAC Hazardous Location Solenoid



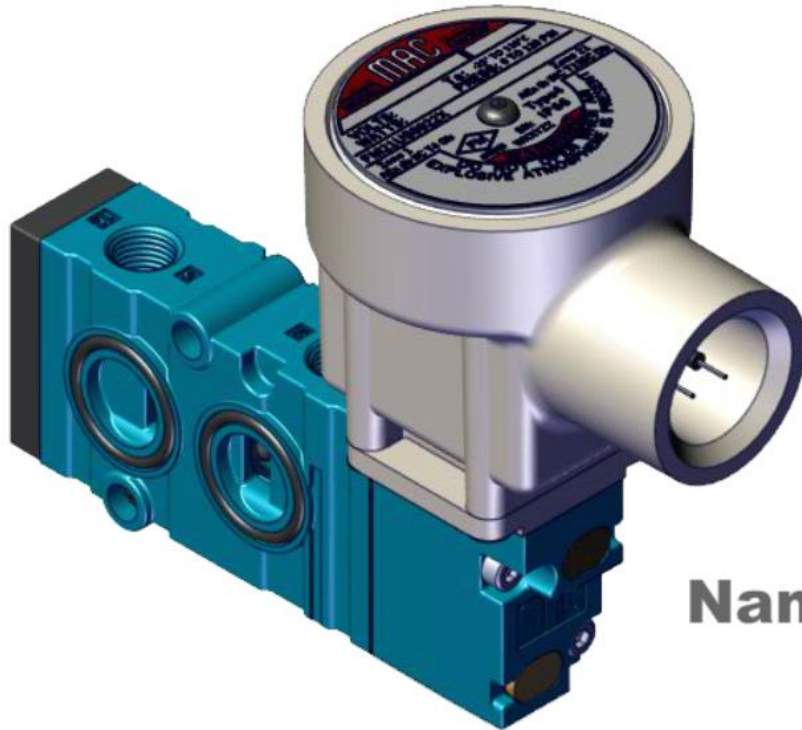
Explosion Proof

with the added benefits of

The MAC Advantage

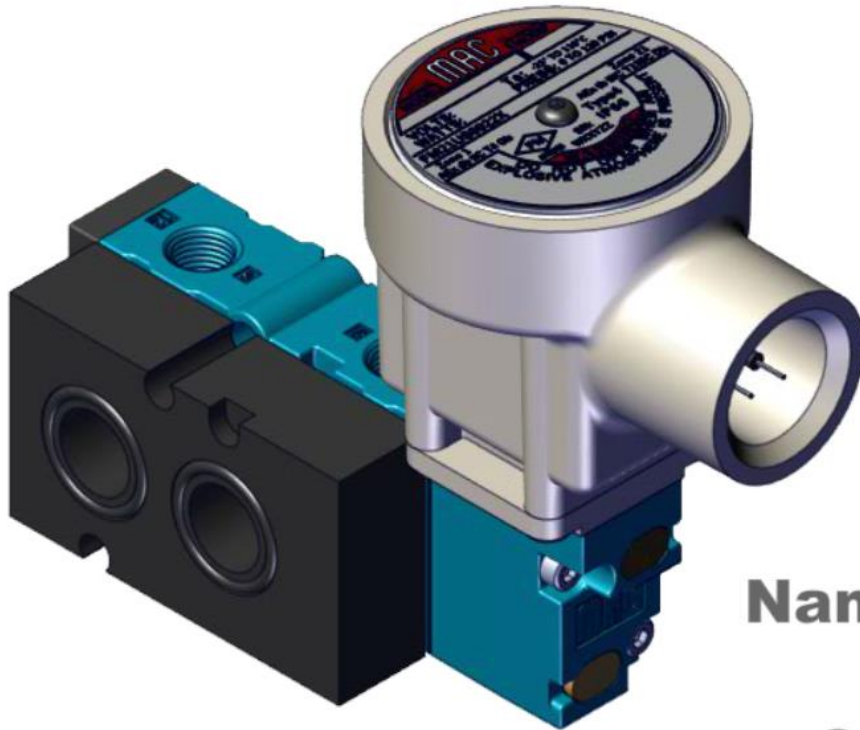
- * **Balanced Design**
- * **High Shifting Forces**
- * **Repeatable Response Times**
- * **Contamination Control**
- * **Reliable Long Life**
- * **4 Way Pilot**

MAC Hazardous Location Solenoid



Available
Namur Mount Option

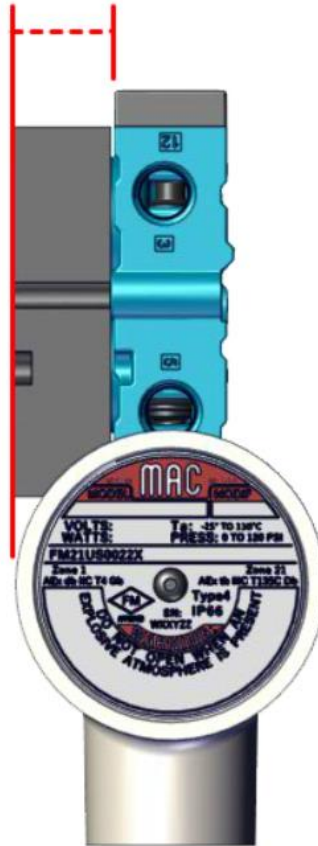
MAC Hazardous Location Solenoid



Available
Namur Mount Option
with
Spacing Adapter

MAC Hazardous Location Solenoid

Spacer allows for flush installation in situations where pilot might interfere with mounting.



Available
Namur Mount Option
with
Spacing Adapter

MAC Hazardous Location Solenoid

Available on a Wide Variety of
MAC Valves Product Series

