



	Page
Introduction	3
Section 1	Direct solenoid and solenoid pilot operated valves 9
Section 2	Remote air valves 245
Section 3	Bases according to ISO standards 221
Section 4	Pressure regulators 241
Section 5	Options 297

MAC VALVES INC. has earned a reputation as an innovator in solenoid air valve technology as is evidenced by our numerous global patents.

MAC's designs focus on offering customers the best performing products available on the market. Some of the key features MAC's products offer are:

- reliability
- speed
- repeatability
- non lube service
- ease of maintenance
- compact packaging
- modularity
- specific application modifications
- low wattage
- broad electrical options

Many of these performance advantages are based on MAC's high shifting forces. MAC's patented oval shaped armature solenoid and 4-way pilot technologies are two new concepts which result in extremely high shifting forces in small packages.

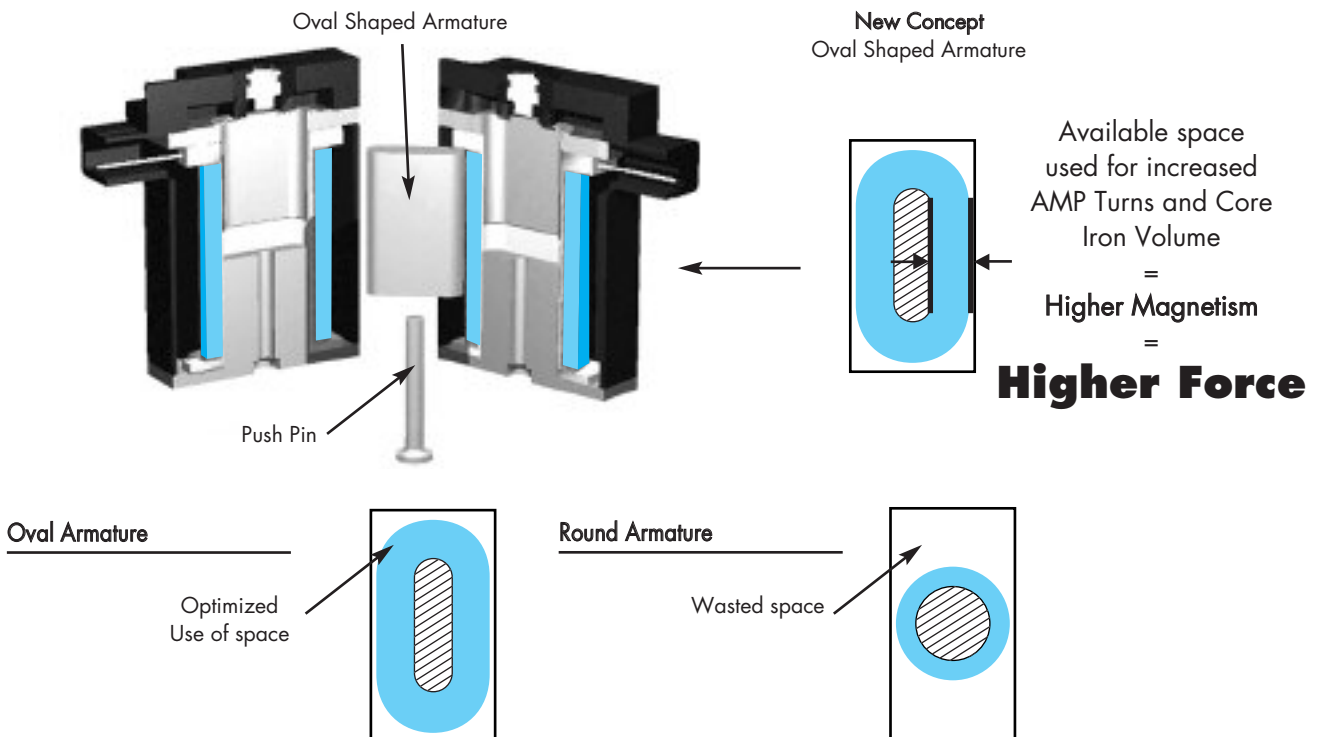
The patented Latching Solenoid is another new offering to the MAC product line. The latching solenoid provides the function of a double solenoid operated valve utilizing only one solenoid.

I. OVAL SHAPED ARMATURE SOLENOID – Maximized Shifting Forces

Compared with typical round armature solenoids, the oval shaped armature design results in much higher shifting forces due to the following:

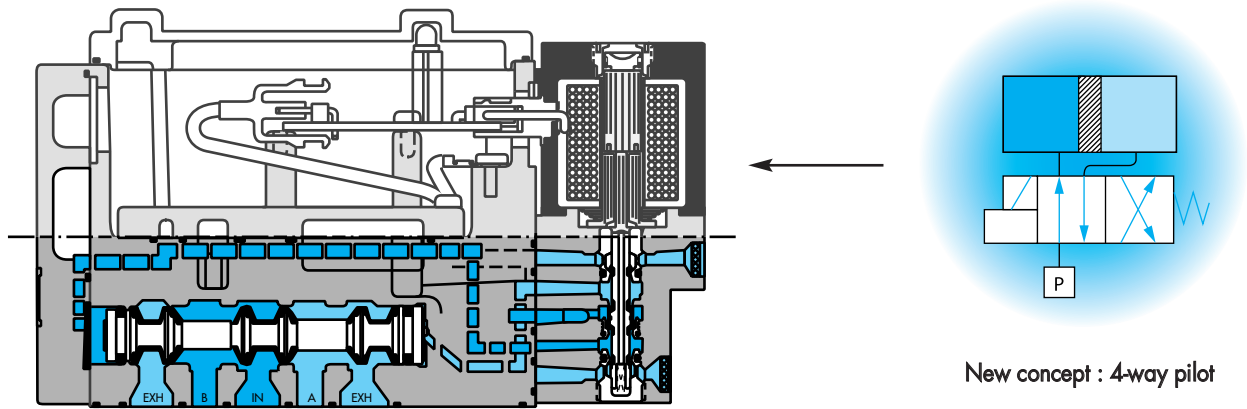
- Increased coil windings (amp turns)
- Increased core iron volume

With more amp turns and core iron than conventional round armature designs, more shifting force is available to shift through contaminated air resulting in reliable shifting valves.



II. MAC's 4-WAY PILOT SYSTEM – Maximized Shifting Forces

The balanced 4-way pilot valve provides maximum shifting forces in both directions by supplying air alternately to each end section of the spool, similar to a double acting rodless cylinder. This system provides maximized shifting forces, equal forces at energization and de-energization, with no resistance to shifting at either end. The result is increased shifting reliability and faster, more consistent response times.

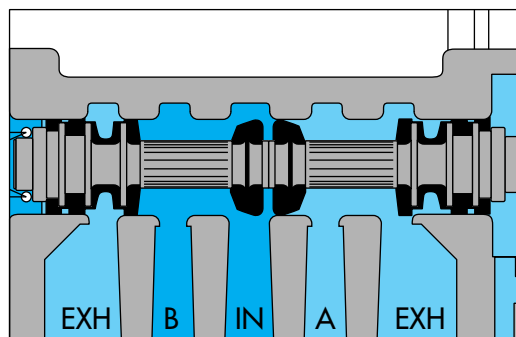


III. MAC'S PATENTED BONDED SPOOL AND BORE – Balanced, Wiping Action, Minimized Friction

MAC invented the bonded spool and bore combination ensuring balanced operation, built in wiping action to contend with air line contaminants with minimal friction. Precision ground and chemically hardened bonded seals control compression and eliminates creep leading to optimum sealing with minimum resistance to shifting. Built in lubricants in the rubber compound enhances non lube service and extends seal life.

A precision machined bore, roller burnished and polished, results in hard smooth surfaces with a glasslike finish to help minimize friction and wear. The end result is exceptionally long seal life.

MAC's short stroking, lightweight aluminum spools produce fast, repeatable response times.



MAC's Bonded Spool and Bore

- Balance
- Wiping Action
- Minimized Friction
- Long Life

IV. MAC's PATENTED LATCHING SOLENOID – Eliminates one Solenoid, Simplifies Wiring, Reduces Package Size

MAC's latching solenoid technology provides the function of a double solenoid operated valve utilizing only one solenoid.

Typical 2 position direct operated double solenoid valves use two solenoids with spool/bore technology. When the power is removed from either solenoid, the spool position and valve function is maintained.

With direct acting solenoid valves, poppets with their inherent short strokes are not typically used as they cannot maintain sealing position when both solenoids are deenergized. As a consequence, longer stroking spool type solenoid valves are used which results in lower shifting forces. MAC's latching solenoid technology eliminates the sealing issue with poppets when no electrical signal is applied, by maintaining solenoid force, ensuring adequate sealing, while using short stroking poppets resulting in high shifting forces.

MAC's latching solenoid only requires one solenoid and correspondingly one plug-in and one conduit wireway versus two for conventional double solenoid valve, saving space, weight and cost. An added benefit of a latching solenoid valve when mounted on a circuit bar is the additional option of side cylinder ports.

HOW IT WORKS

Unlike a spool and bore valve, a poppet valve requires that a force be continuously applied to either end of the poppet to ensure that proper sealing occurs. If another solenoid was simply added to the valve to create a double solenoid valve, power would need to be constantly applied to either solenoid for the valve to function properly (see Figure 1). If the poppet valve is converted to a spool and bore type valve design, the longer stroke of the spool and solenoid would result in lower net shifting forces (see Figure 2), compromising the valves shifting reliability.

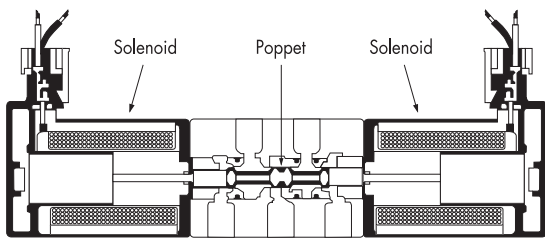


Figure 1 : Double Solenoid Poppet

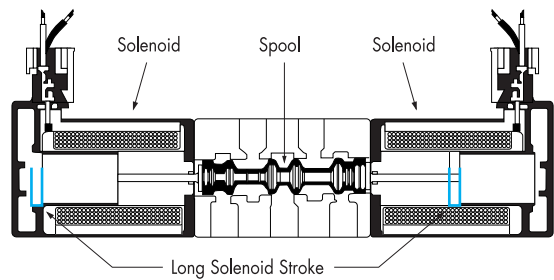


Figure 2 : Double Solenoid Spool Design

The latching solenoid overcomes these problems by introducing a powerful permanent magnet armature assembly which magnetically latches itself to the pole piece and in turn keeps the poppet sealed against the conical seats when the power is removed from the solenoid. To shift the poppet in the opposite direction, the polarity of the voltage applied to the solenoid leads is reversed and the attractive force between the permanent magnet armature assembly and the pole piece is reduced. The return spring in the valve then shifts the poppet to its other sealing position and the permanent magnet armature assembly is then magnetically attracted to the upper latch. The upper latch prevents the permanent magnet armature assembly from attracting itself back to the pole piece when the voltage is removed. Reversing the polarity again to the solenoid lead wires will create a powerful attractive force between the permanent magnet armature assembly and the pole piece and away from the upper latch which will correspondingly move the poppet to the other shifted position.

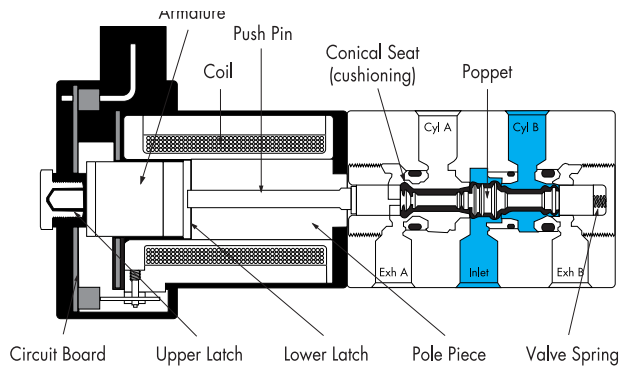


Figure 3 : Latching Solenoid Design

WIRING INSTRUCTIONS AND OPTIONS

As shown in Figure 4, a conventional double solenoid valve requires that the pair of lead wires from each solenoid be wired to an appropriate voltage source, MAC's latching solenoid technology has the option of being wired in one of the three (3) currently available methods.

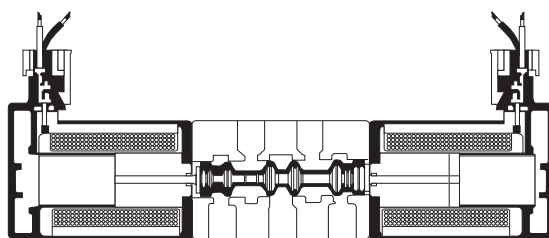
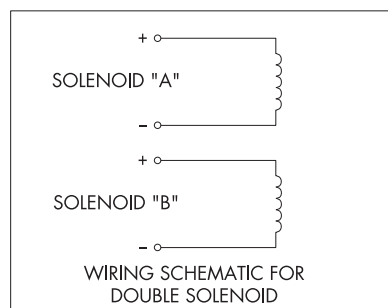


Figure 4 : Conventional Double Solenoid



FOUR WIRE

As shown in Figure 5, the four wire method enables the coil to be wired as if it were a conventional double solenoid. By connecting the yellow lead wire to positive voltage and the yellow lead wire with black stripe to negative, the valve will be open to cylinder port "A". When positive voltage is supplied to the red lead wire and negative to the red lead with a black stripe, the valve will now be open to cylinder port "B". Since the negative red and yellow lead wires are internally connected together, the supply voltage for each pair of yellow and red lead wires must be isolated from the other pair (see diagram). Also, power must not be applied to all four leads simultaneously or a short circuit condition will occur possibly damaging the voltage source.

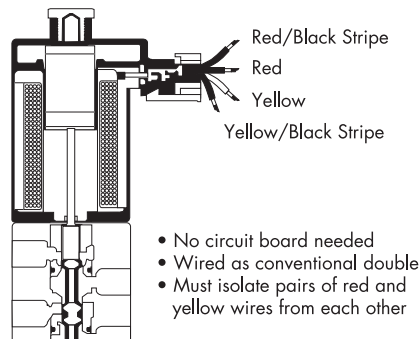
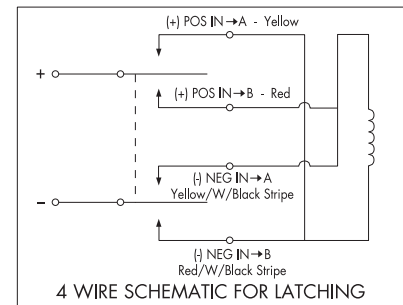


Figure 5 : Four Wire Latching



THREE WIRE

Unlike the two wire method (see Figure 7) which requires the user to provide the polarity switching circuitry, the three wire method incorporates the polarity switching circuitry within the solenoid enclosure (see Figure 6). The black lead wire provided must be connected to positive and is used as a common. When negative voltage is supplied to the yellow lead wire with a black stripe the valve will be open to cylinder port "A". When the negative voltage is removed from the yellow lead wire with the black stripe and supplied to the red lead wire with a black stripe, the valve will now be open to cylinder port "B". Applying voltage to all three wires simultaneously or with the wrong polarity will cause permanent damage to the switching circuitry in the solenoid cover, and the valve won't work.

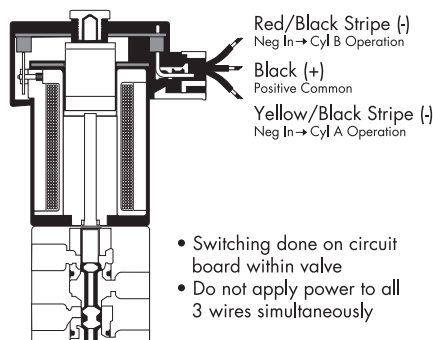
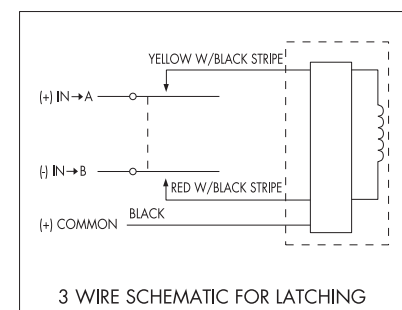


Figure 6 : Three Wire Latching



TWO WIRE

The two wire method shown in Figure 7, provides a black and red lead wire connected to the solenoid. The user must provide the polarity switching circuitry to these leads in order to shift the valve to its two positions. By applying positive DC voltage to the red lead wire and negative to the black, the valve will be open to cylinder port "A". When the polarity of the voltage is externally reversed to the lead wires the valve will now become open to cylinder port "B".

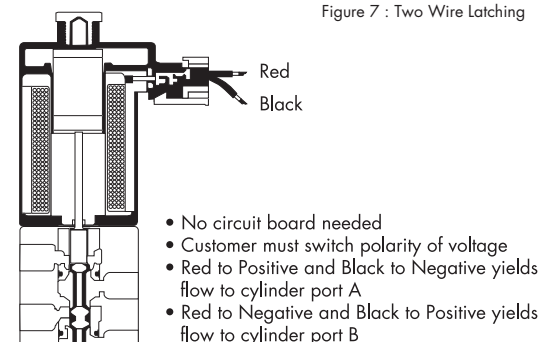


Figure 7 : Two Wire Latching

AVAILABLE OPTIONS

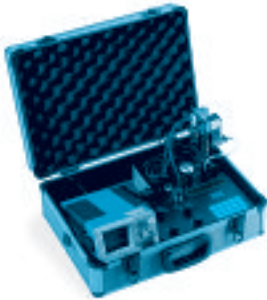
The 2 and 4 wire connections are available in both a flying lead and plug-in cover. The 3 wire connection is only available in the plug-in style cover. All 2 and 4 wire cover options are available with an LED indicator. The LED indicator on a 3 wire cover is standard. The LED will illuminate red for cylinder "A" operation and green for cylinder "B" operation.

The 3 wire connection must be used for valves connected to either a multi-pin connector or a serial manifold. Mixing single solenoids with latching solenoids on a circuit bar is possible since each station of the bar is wired for a latching coil. The circuit bar must be ordered with this wiring configuration. If required, a negative common 3 wire connection is also available, please consult factory.

HOW TO ORDER

The numbering system for a latching solenoid differs from the numbering system for a single solenoid valve. The letter "L" within the model number indicates a latching solenoid, while the letter "G" or "H" in the same position of the model number indicates a single solenoid valve.

Let us show you via high performance demonstration kits and animated software,
HOW MAC'S PERFORMANCE ADVANTAGES HELP MAKE YOUR EQUIPMENT MORE RELIABLE - FASTER - MORE REPEATABLE.



TLD

Traveling Lab Demonstration measures critical valve performance characteristics - Shifting forces, Response Time, Speed, Repeatability and Flow.



PLD

Proportional Lab Demonstration measures critical proportional regulation characteristics - Response Time, Accuracy, Hysteresis, Repeatability and Flow.



Animation

Animated Software shows inner workings of various Air Valves Designs - Powerful educational tool for learning about how air valves function.



Pneumatic functions

All valves inside the MAC product range allow for multiple pneumatic functions.
Direct solenoid and solenoid pilot operated valves could be used as 2 ways, 3 ways (NO, NC) or 4 ways.
When plugging one orifice to achieve a 2 way function (or 3 way), it will not affect the valve operation.

- Direct solenoid valves 3 ways : universal
The following functions are available

- 3 ways NC
- 3 ways NO
- 2 ways NC
- 2 ways NO
- Selector
- Divertor

- Pilot operated valves 3 ways :
The following functions are available

- 3 ways NC
- 3 ways NO
- 2 ways NC
- 2 ways NO
- Selector : the highest pressure is connected to the IN port; the lowest pressure is connected to the EXH port. (Use external pilot when the highest pressure is less than 2 bar)
- Divertor (consult factory)

- Direct solenoid valves 4 ways :
The following functions are available

- 4 ways
- 3 ways NC
- 3 ways NO
- 2 ways NC
- 2 ways NO
- Divertor

- Pilot operated valves 4 & 5 ways :
The following functions are available

- 4 or 5 ways
- 3 ways NC
- 3 ways NO
- 2 ways NC
- 2 ways NO
- Selector (except 3 positions)
- Divertor (consult factory).

EVERY VALVE FULLY TESTED PRIOR TO SHIPMENT



Section 1

Direct solenoid and solenoid pilot operated valves



D i r e c t s o l e n o i d a n d

Function	Port size	Flow [Max] NI/min	Individual mounting												
			Inline	Inline Single operator	Inline Double operator	Sub-base non "plug-in"	Sub-base "plug-in"	Sub-base/manifold base non "plug-in" with latching solenoid	Sub-base/manifold base "plug-in" with latching solenoid	Valve only - No base non "plug-in" Conform to ISO 15407/1	Valve only - No base "plug-in" Conform to ISO 15407/2	Valve only - No base non "plug-in" Conform to ISO 5599/1	Valve only - No base "plug-in" Conform to ISO 5599/2		
3/2	M3	20 to 50	P. 15												
3/2	M3	82	P. 19												
3/2 - 2/2	M5	120	P. 23												
3/2	G1/8"	300	P. 27												
3/2	G1/8" - M5	300													
3/2	G1/8"	400				P. 37									
3/2	M5 - M7	400					P. 39	P. 45	P. 47						
3/2	G1/8" - G1/4"	500	P. 51			P. 53									
3/2	G1/8"	1200				P. 57	P. 59	P. 63	P. 65						
3/2 - 2/2	G1/8" - G1/4"	1500	P. 69												
3/2	G1/4" - G3/8"	2000	P. 73												
3/2 - 2/2	G3/8" - G1/2" - G3/4"	5100				P. 77	P. 79								
3/2 - 2/2	G3/4" - G1"	20000	P. 83												
3/2 - 2/2	G1" - G1 1/4" - G1 1/2"	31000	P. 87												
3/2 - 2/2	G1 1/2" - G2" - G2 1/2"	60000	P. 91												
5/2	M3	22 to 35	P. 95												
5/2	M3	70	P. 99												
5/2	M5	100	P. 103												
5/2	M3 - M5	230	P. 107			P. 109									
5/2 - 5/3	M5	250	P. 115												
5/2 - 5/3	M5 - M7	370				P. 117	P. 119								
5/2 - 5/3	M5 - M7	400													
4/2	G1/8" - M5	300	P. 127												
4/2	G1/8"	300													
5/2 - 5/3	M5 - M7	400				P. 141	P. 143								
5/2	M5 - M7	400						P. 149	P. 151						
5/2	G1/8" - G1/4"	500	P. 157			P. 159									
5/2	G1/8"	1000	P. 167												
5/2 - 5/3	G1/8"	1100				P. 171	P. 173								
5/2	G1/8"	1100						P. 179							
5/2	G1/8"	1000							P. 181						
5/2 - 5/3	G1/8" - G1/4"	1000	P. 187			P. 189									
5/2 - 5/3	G1/8" - G1/4" - G3/8"	1200				P. 193	P. 195								
5/2 - 5/3	G1/4" - G3/8"	1200													
5/2 - 5/3	G1/4" - G3/8"	1500		P. 205	P. 207										
5/2 - 5/3	G3/8" - G1/2"	3800	P. 211												
5/2 - 5/3	G1/4" - G3/8" - G1/2"	3400				P. 213	P. 215								
5/2 - 5/3	G1/4"	1000							P. 225	P. 227					
5/2 - 5/3	G1/8"	430							P. 231						
5/2 - 5/3	G1/8"	510								P. 233					
5/2 - 5/3	G1/4" - G3/8"	1800										P. 237	P. 239		
5/2 - 5/3	G3/8" - G1/2"	3000										P. 243	P. 245		
5/2 - 5/3	G1/2" - G3/4"	6100										P. 249	P. 251		

s o l e n o i d p i l o t o p e r a t e d v a l v e s

Manifold mounting

Series

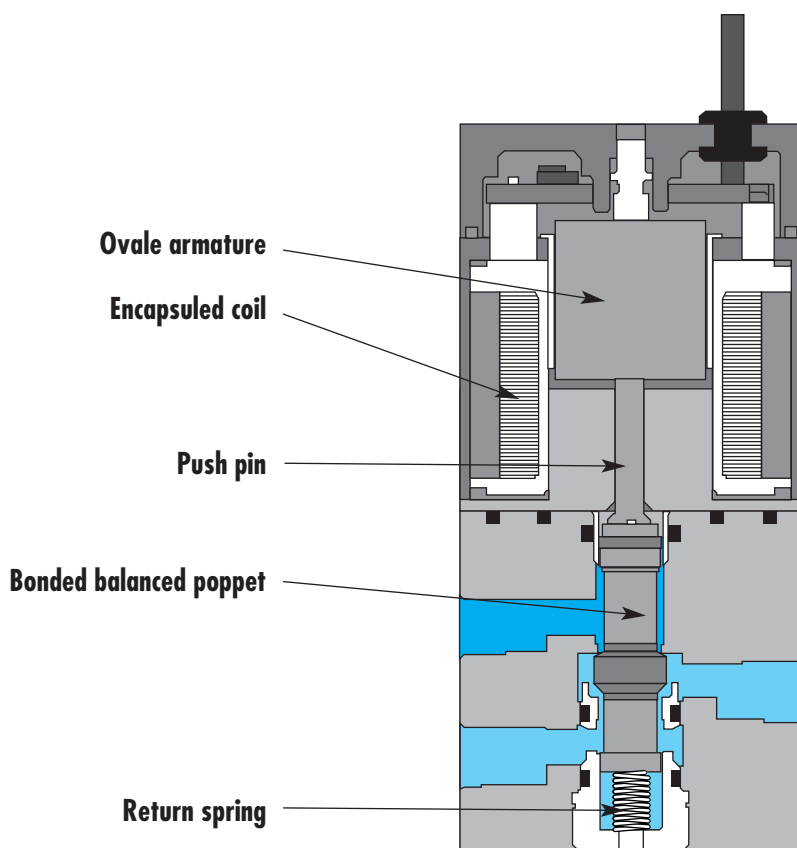
stacking	Manifold base non "plug-in"	Manifold base "plug-in"	Manifold base "plug-in" with pressure regulators	Manifold base "plug-in" with flow controls	Manifold base "plug-in" with PR & FC	Sub-base/manifold base non "plug-in" with latching solenoid	Sub-base/manifold base "plug-in" with latching solenoid	Valve only - No base non "plug-in" Conform to ISO 15407/1	Valve only - No base "plug-in" Conform to ISO 15407/2	Valve only - No base non "plug-in" Conform to ISO 5599/1	Valve only - No base "plug-in" Conform to ISO 5599/2	
												31
												33
												34
		P. 31	P. 33									36
P. 29												32
	P. 41	P. 43				P. 45	P. 47					37
		P. 61				P. 63	P. 65					38
												52
												53
												54
												67
												68
												69
												41
												43
												44
	P. 111											23
												24
	P. 121	P. 123										46
P. 129												42
		P. 131	P. 133	P. 135	P. 137							47
	P. 145	P. 147										48P
						P. 149	P. 151					48
P. 161		P. 163										400
	P. 175	P. 177										92
						P. 179						83
							P. 181					93
												ISO 01
								P. 225	P. 227			ISO 02
								P. 231				ISO 1
									P. 233			ISO 2
										P. 237	P. 239	ISO 3
										P. 243	P. 245	
										P. 249	P. 251	

Direct solenoid and solenoid pilot operated valves 6 mm valve

Individual mounting

Série

inline	
--------	--



SERIES FEATURES

- Patented high force MACSOLENOID® for fastest possible response times.
- Bonded balanced poppet for high flow, precise repeatability, and consistent operation.
- Extremely high cycle rate capability.
- Use on lube or non-lube service.
- 6 mm direct operated valve.
- Very fast response times.

31
33
34
36
32
37
38
52
53
54
67
68
69
41
43
44
23
24
46
42
47
48P
48
400
92
83
93
ISO 01
ISO 02
ISO 1
ISO 2
ISO 3



Direct solenoid and solenoid pilot operated valves 6 mm valve

Function	Port size	Flow [Max]	Mounting	Series
3/2 NC	M 3	20 to 50 NI/min	Individual inline	

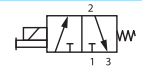
OPERATIONAL BENEFITS

1. 6mm valve direct solenoid operated
2. Balanced poppet, immune to pressure variations
3. Short stroke with high flow
4. Patented solenoid develops high shifting forces
5. Low wattage solenoids
6. Powerful return spring
7. Extremely fast response times
8. Universal valve



HOW TO ORDER

Port size	NC only valve
M3	31A-AAB-T xxx-xxx



SOLENOID OPERATOR >

T **XXX-XXX** *

XX	Voltage	X	Wire length	X	Manual operator	XX	Electrical connection
DC	24V=/1.8W	A	45 cm	0	No operator*	BA	Flying leads
DD	24V=/2.5W	B	60 cm	1	Non-locking		
DE	24V=/3.0W	C	90 cm				
DF	24V=/4.0W						
DJ	12V=/1.8W						
DK	12V=/2.5W						
DL	12V=/3.0W						
DM	12V=/4.0W						

*Use this option only for high-speed models with differential air assist

For high-speed differential air assist models only

FA	24V=/60W
FB	24V=/90W
FC	24V=/230W

Mod number required for high speed models with differential air assist – consult factory

* Other options available, see page 405

31
33
34
36
32
37
38
52
53
54
67
68
69
41
43
44
23
24
46
42
47
48P
48
400
92
83
93
ISO 01
ISO 02
ISO 1
ISO 2
ISO 3



100%
OF
PRODUCTION
TESTED
100%

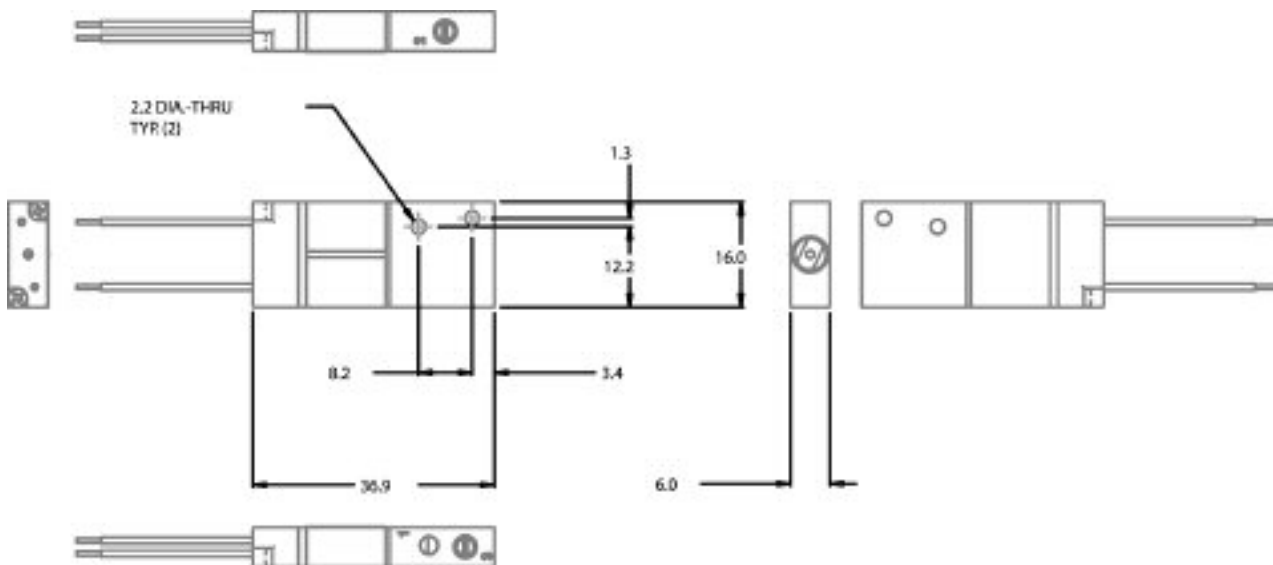
WARRANTY
18
MONTHS

TECHNICAL DATA

Fluid :	Compressed air, vacuum, inert gases
Pressure range :	Vacuum to 8 bar
Lubrication :	Not required, if used select a medium aniline point lubricant (between 80°C and 100°C)
Filtration :	40 µ
Temperature range :	-18°C to +50°C
Flow :	20 to 50 NI/min (Cv 0,02 to 0,05)
Coil :	Class A wires – continuous duty
Voltage range :	-15% to +10%
Power :	1.8W, 2.5W, 3.0W, 4.0W - High wattages available, consult factory
Response times :	Energize: 1,8 ms De-energize: 0,8 ms

DIMENSIONS

Dimensions shown are metric (mm)

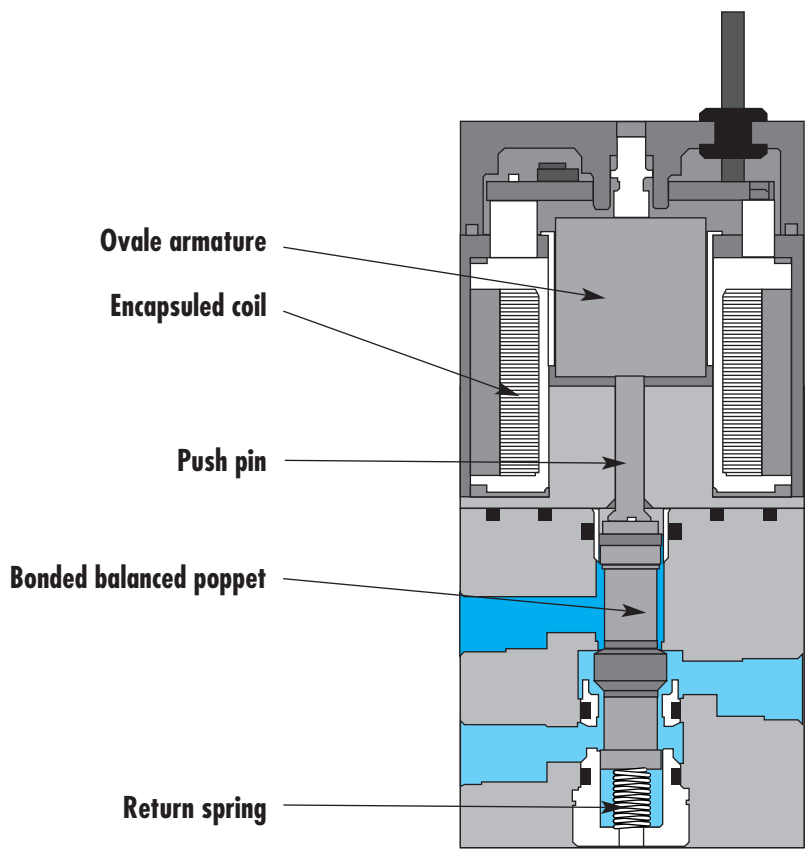


Direct solenoid and solenoid pilot operated valves 8 mm valve

Individual mounting

inline

Série



SERIES FEATURES

- Patented high force MACSOLENOID® for fastest possible response times.
- Bonded balanced poppet for high flow, precise repeatability, and consistent operation.
- Extremely high cycle rate capability.
- Use on lube or non-lube service.
- Low wattage DC solenoids - down to 0.5 W.
- 8 mm direct operated valve.
- Very fast response times.

31
33
 34
 36
 32
 37
 38
 52
 53
 54
 67
 68
 69
 41
 43
 44
 23
 24
 46
 42
 47
 48P
 48
 400
 92
 83
 93
 ISO 01
 ISO 02
 ISO 1
 ISO 2
 ISO 3

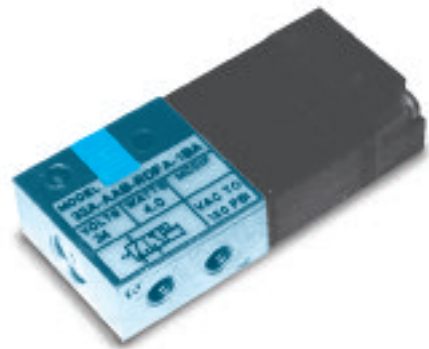


Direct solenoid and solenoid pilot operated valves 8 mm valve

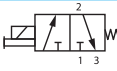
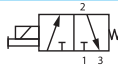
Function	Port size	Flow [Max]	Individual mounting	Series
3/2 NC	M 3	82 NI/min	Inline	

OPERATIONAL BENEFITS

1. 8mm valve direct solenoid operated
2. Balanced poppet, immune to pressure variations
3. Short stroke with high flow
4. Patented solenoid develops high shifting forces
5. Low wattage solenoids
6. Powerful return spring
7. Extremely fast response times



HOW TO ORDER

Port size	NC only valve	NC only valve**
M3	 33A-AAB-R xxx-xxx	 33A-BAB-R xxx-xxx

** For use with solenoids above 4.0 W - MOD number required. (Consult factory)

SOLENOID OPERATOR ➤

Rxxx-xxx*

XX Voltage	X Wire length	X Manual operator	XX Electrical connection
DB 24V=/1.0W	0 No lead wire*	0 No manual operator	BA Flying leads
DC 24V=/1.8W	A 45 cm	1 Non-locking recessed	BB Flying leads w/LED
DF 24V=/4.0W	B 60 cm	3 Non-locking extended	BC Flying leads w/MOV
DH 12V=/1.0W	C 90 cm		BD Flying leads w/LED & MOV
DJ 12V=/1.8W	D 120 cm		RA Mini JAC solenoid plug-in
DM 12V=/4.0W	E 180 cm		RB Mini JAC solenoid plug-in w/LED
			RC Mini JAC solenoid plug-in w/MOV
			RD Mini JAC solenoid plug-in w/LED & MOV
			TA JST Solenoid plug-in
			TB JST Solenoid plug-in w/LED
			TC JST Solenoid plug-in w/MOV
			TD JST Solenoid plug-in w/LED & MOV

* Not available for flying leads connectors

* Other options available, see page 401
Washdown capability is possible for the "B" and "R" type electrical connectors. Consult factory for ordering information.

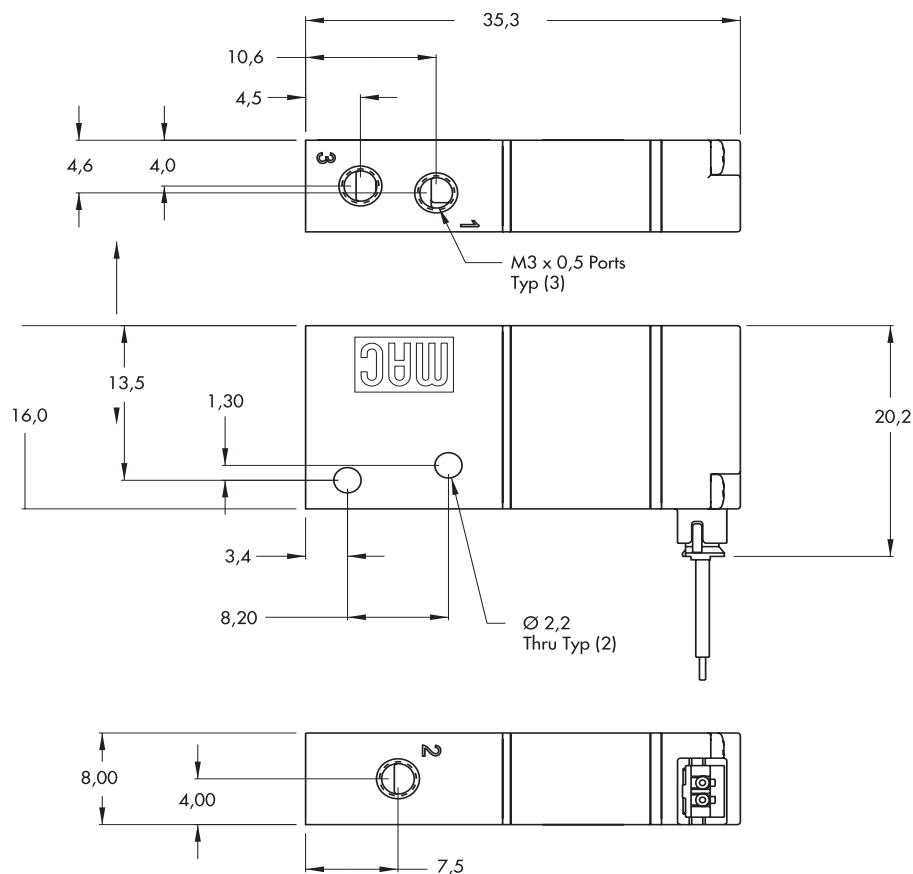
31
33
 34
 36
 32
 37
 38
 52
 53
 54
 67
 68
 69
 41
 43
 44
 23
 24
 46
 42
 47
 48P
 48
 400
 92
 83
 93
 ISO 01
 ISO 02
 ISO 1
 ISO 2
 ISO 3

TECHNICAL DATA

Fluid :	Compressed air, vacuum, inert gases
Pressure range :	Vacuum to 8 bar
Lubrication :	Not required, if used select a medium aniline point lubricant (between 80°C and 100°C)
Filtration :	40 µ
Temperature range :	-18°C to +50°C
Flow :	4W: 82 NI/min - 3W: 62 NI/min - 2.5W: 62 NI/min - 1.8W: 55 NI/min - 1.0W: 30 NI/min - 0.5W: 20 NI/min
Coil :	Class A wire (#26 AWG x18), continuous duty
Voltage range :	-15% to +10% of nominal voltage
Power :	4.0W - 3.0W - 2.5W - 1.8W - 1.0W - 0.5W

DIMENSIONS

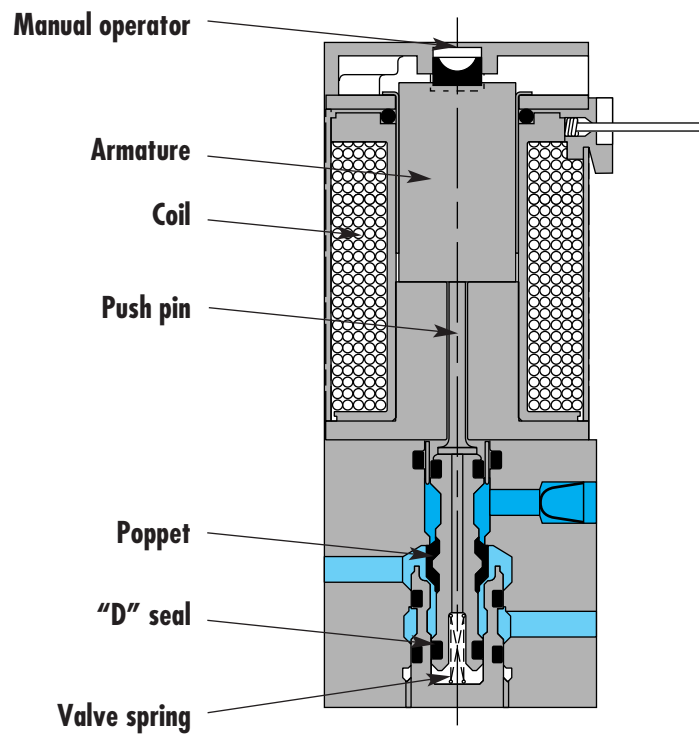
Dimensions shown are metric (mm)



Individual mounting

Series

Inline



SERIES FEATURES

- High force MACSOLENOID®.
- Universal porting.
- #10-32 or M5 ports.
- Rated for lubricated or non-lubricated service.
- 10mm direct operated.

31
33
34
36
32
37
38
52
53
54
67
68
69
41
43
44
23
24
46
42
47
48P
48
400
92
83
93
ISO 01
ISO 02
ISO 1
ISO 2
ISO 3



Direct solenoid and solenoid pilot operated valves

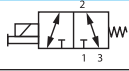
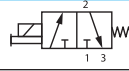
Function	Port size	Flow [Max]	Individual mounting	Series
3/2 NO-NC, 2/2 NO-NC	M5	120 NI/min	Inline	

OPERATIONAL BENEFITS

1. 10 mm valve, direct solenoid operated.
2. Balanced poppet, immune to variations of pressure.
3. Short stroke with high flow.
4. Patented solenoid develops high shifting forces.
5. Powerful return spring.
6. Manual operator standard on all valves.



HOW TO ORDER

Port size	Universal valve	NC only valve
M5	 34C-ABA-G XXX-XXX	 34C-ABB-G XXX-XXX

SOLENOID OPERATOR ►

G **XXX-XXX***

XX	Voltage	X	Wire length	X	Manual operator	XX	Electrical connection
AA	120 V~/2,5W	A	45 cm	1	Non-locking	BA	Flying leads
DC	24 V~/1,8W	B	60 cm			BT	Flying leads with light
DD	24 V~/2,5W	C	90 cm			GA	MAC JAC Solenoid plug-in
DF	24 V~/4,0W					GB	MAC JAC Solenoid plug-in with diode
						GC	MAC JAC Solenoid plug-in with MOV
						GD	MAC JAC Solenoid plug-in with LED
						GE	MAC JAC Solenoid plug-in with diode and LED
						GF	MAC JAC Solenoid plug-in with MOV and LED
						GG	MAC JAC Solenoid plug-in with rectifier
						GH	MAC JAC Solenoid plug-in with rectifier and LED
						KA	Mini connector
						KC	Mini connector with rectifier and light
						KT	Mini connector with light

Note : AC voltage requires connector with rectifier.
 * Other options available, see page 387.

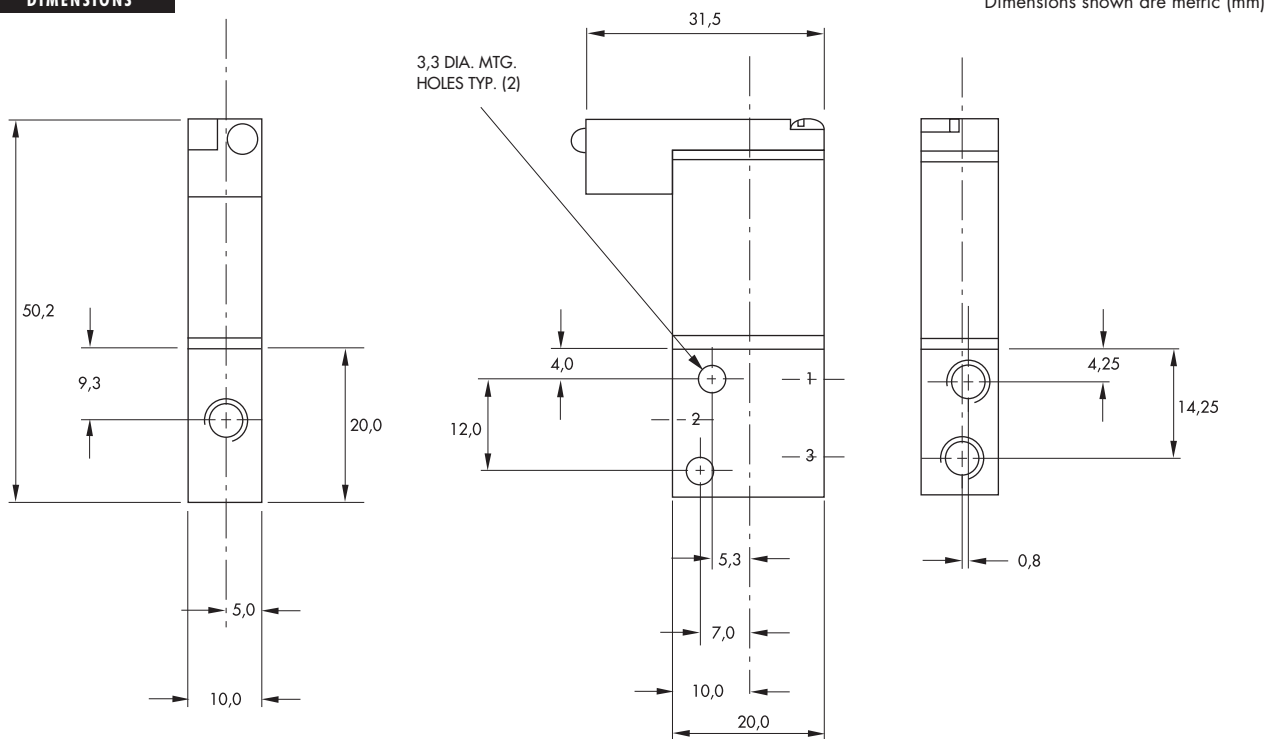
Washdown capability is possible for the "G" type electrical connector.
 Consult factory for ordering information

31
 33
34
 36
 32
 37
 38
 52
 53
 54
 67
 68
 69
 41
 43
 44
 23
 24
 46
 42
 47
 48P
 48
 400
 92
 83
 93
 ISO 01
 ISO 02
 ISO 1
 ISO 2
 ISO 3

TECHNICAL DATA

Fluid :	Compressed air, vacuum, inert gases
Pressure range :	Vacuum to 8 bar
Lubrication :	Not required, if used select a medium aniline point lubricant (between 80°C and 100°C)
Filtration :	40 µ
Temperature range :	-18°C to +50°C
Orifice :	1,8 mm
Flow :	4 W : 120 NI/min (Cv 0,12) – 2,5 W : 100 NI/min (Cv 0,10) – 1,8 W : 60 NI/min (Cv 0,06)
Coil :	Epoxy encapsulated – 100% ED
Voltage range :	-15% to +10% of nominal voltage
Protection :	IP54 (electrical connection)
Power :	4 W – 2,5 W – 1,8 W
Response times : (with 4 W coil)	Energize : 3,4 ms De-energize : 1,5 ms

DIMENSIONS



Individual mounting

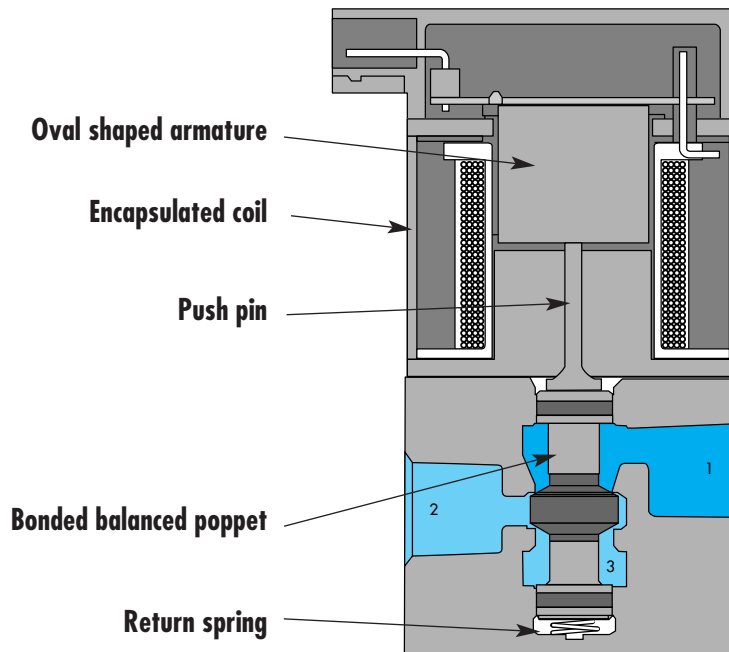
Inline	
--------	--

Manifold mounting

Stacking	Manifold base "plug-in"	Manifold base "plug-in" with pressure regulators
----------	-------------------------	--

Series

31
33
34
36



SERIES FEATURES

- Patented high force MACSOLENOID® for fastest possible response times.
- Bonded balanced poppet for high flow, precise repeatability, and consistent operation.
- Balanced poppet permits versatility in function — may be used as 3-way or 2-way normally open or normally closed and may be used for vacuum, divertor, or selector applications.
- Extremely high cycle rate capability.
- Use on lube or non-lube service.
- Manual overrides as standard.
- Various solenoid enclosures and plug-in connectors.
- Optional surge suppression available.
- Low wattage DC solenoids — down to 1.8 watts.
- Rectified AC voltage.

32
37
38
52
53
54
67
68
69
41
43
44
23
24
46
42
47
48P
48
400
92
83
93
ISO 01
ISO 02
ISO 1
ISO 2
ISO 3



Direct solenoid and solenoid pilot operated valves

Function	Port size	Flow [Max]	Individual mounting	Series
3/2	G1/8"	300 NI/min	Inline	

OPERATIONAL BENEFITS

1. Balanced poppet, immune to variations of pressure.
2. Patented solenoid develops high shifting forces.
3. Short stroke with high flow.
4. Higher forces result in lower wattages for given flow.
5. Powerful return spring.



HOW TO ORDER

Port size	Universal valve	NC only valve
G1/8"	36A-ACA-J xxx-xxx	36A-ACB-J xxx-xxx

SOLENOID OPERATOR >

J **XXX-XXX*** (-G) Add "G" for ground

XX	Voltage	X	Lead wire length	X	Manual operator	XX	Electrical connection
AA	120V~/5,4W	A	45 cm	1	Non-locking	BA	Flying leads
DA	24V~/5,4W	B	60 cm	2	Locking	GA	MAC JAC solenoid plug-in
DB	12V~/5,4W	C	90 cm			GB	MAC JAC solenoid plug-in with diode
DC	24V~/2,4W					GD	MAC JAC solenoid plug-in with light
DD	12V~/2,4W					GG	MAC JAC solenoid plug-in with rectifier

* Other options available, see page 393.

Note : - AC voltage requires connector with rectifier.

- With the MAC JAC, washdown capability is possible. Consult factory for washdown modification number.

31
33
34
36

32
37
38
52
53
54
67
68
69
41
43
44
23

24
46
42
47
48P

48
400
92
83
93
ISO 01
ISO 02
ISO 1
ISO 2
ISO 3

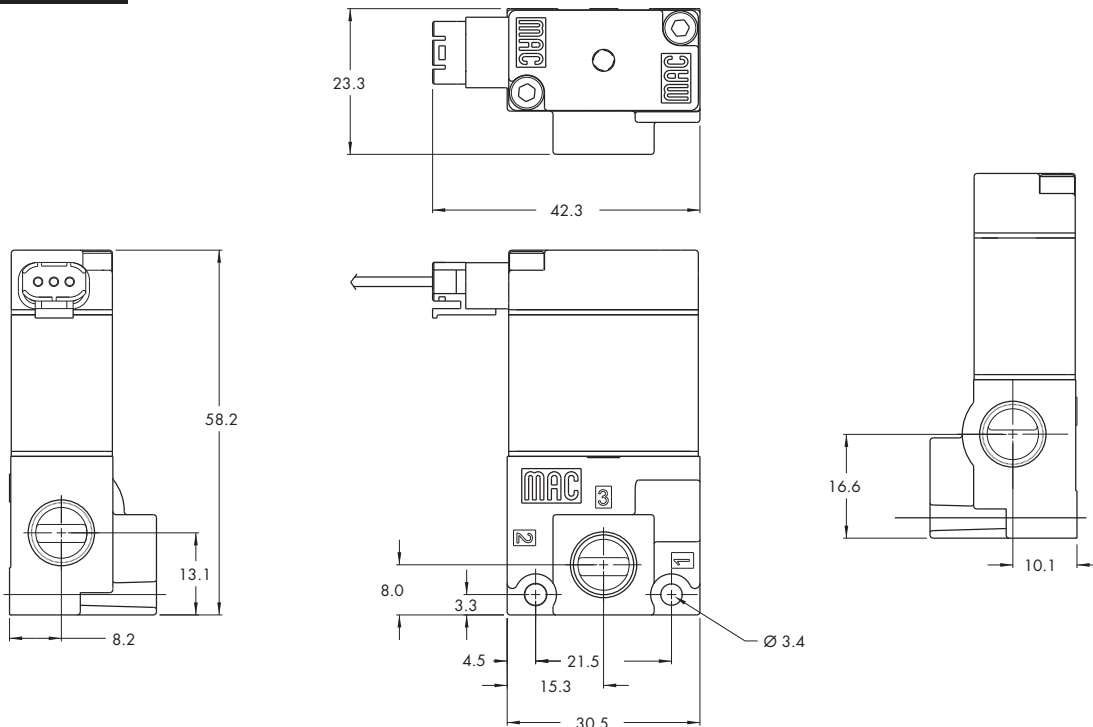
TECHNICAL DATA

Fluid :	Compressed air, vacuum, inert gases
Pressure range :	Vacuum to 8 bar
Lubrication :	Not required, if used select a medium aniline point lubricant (between 80°C and 100°C)
Filtration :	40 µ
Temperature range :	-18°C to +50°C
Orifice :	3,3 mm
Flow (at 6 bar, ΔP=1bar) :	G1/8" : 300 NI/min (Cv 0,3)
Coil :	Epoxy encapsulated – Class A wires – 100% ED
Voltage range :	-15% to +10% of nominal voltage
Protection :	IP54 (electrical connection)
Power :	5,4 W – 2,4 W – 1,0 W

Option : • NPTF threads

DIMENSIONS

Dimensions shown are metric (mm)





Direct solenoid and solenoid pilot operated valves

Function	Port size	Flow [Max]	Manifold mounting	Series
3/2	G1/8" - M5	300 NI/min	Stacking	

OPERATIONAL BENEFITS

- Balanced poppet, immune to variations of pressure.
- Patented solenoid develops high shifting forces.
- Short stroke with high flow.
- Higher forces result in lower wattages for given flow.
- Powerful return spring.



HOW TO ORDER

Port size	NC only stacking	NC stacking Universal poppet	NO stacking Universal poppet
G1/8"	36A-SCB-J xxx-xxx	36A-SCC-J xxx-xxx	36A-SCD-J xxx-xxx
M5	36A-SDB-J xxx-xxx	36A-SDC-J xxx-xxx	36A-SDD-J xxx-xxx

SOLENOID OPERATOR >

J **xxx-xxx*** (-G) Add "G" for ground

XX Voltage	X Lead wire length	X Manual operator	XX Electrical connection
AA 120V~/5,4W	A 45 cm	1 Non-locking	BA Flying leads
DA 24V~/5,4W	B 60 cm	2 Locking	GA MAC JAC solenoid plug-in
DB 12V~/5,4W	C 90 cm		GB MAC JAC solenoid plug-in with diode
DC 24V~/2,4W			GD MAC JAC solenoid plug-in with light
DD 12V~/2,4W			GG MAC JAC solenoid plug-in with rectifier

* Other options available, see page 393.
 Note : - AC voltage requires connector with rectifier.
 - With the MAC JAC, washdown capability is possible. Consult factory for washdown modification number.

End plate kit required (port size G1/4") : M-36001-01P.

BODY TYPE OPTIONS

36A-SCB-Jxxx-xxx	S Stacking body
	T Stacking body with bottom inlet

31
 33
 34
36
 32
 37
 38
 52
 53
 54
 67
 68
 69
 41
 43
 44
 23
 24
 46
 42
 47
 48P
 48
 400
 92
 83
 93
 ISO 01
 ISO 02
 ISO 1
 ISO 2
 ISO 3



100%
OF
PRODUCTION
TESTED
100%

WARRANTY
18
MONTHS

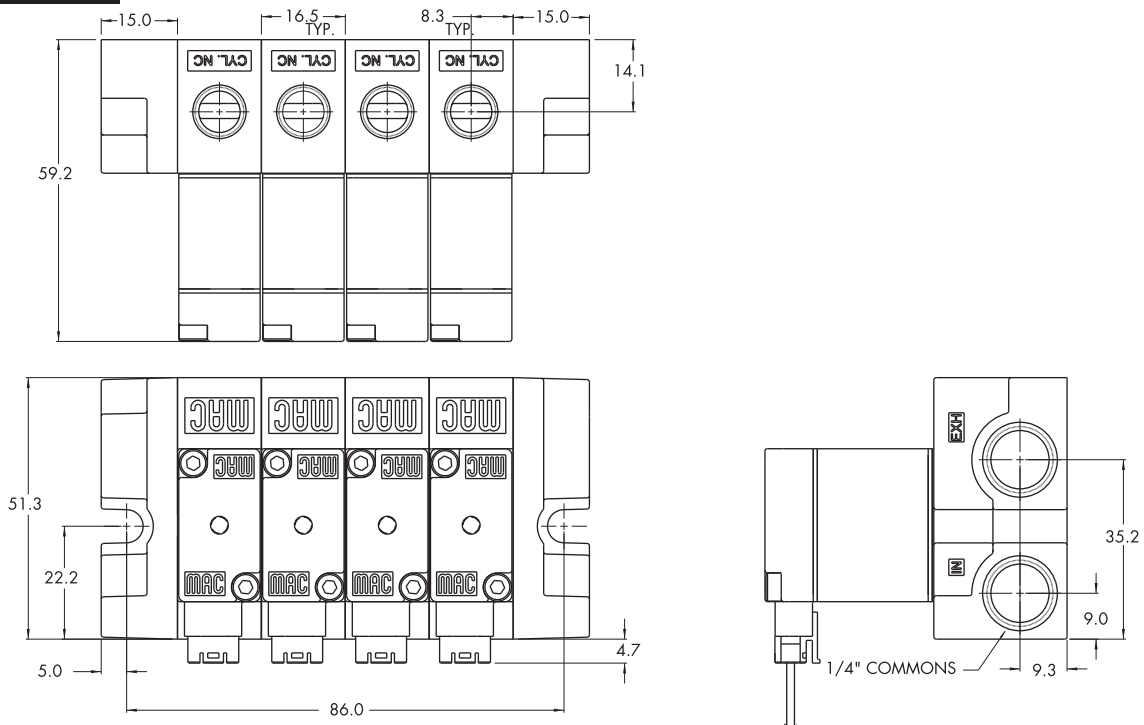
TECHNICAL DATA

Fluid :	Compressed air, vacuum, inert gases
Pressure range :	Vacuum to 8 bar
Lubrication :	Not required, if used select a medium aniline point lubricant (between 80°C and 100°C)
Filtration :	40 µ
Temperature range :	-18°C to +50°C
Orifice :	3,3 mm
Flow (at 6 bar, ΔP=1bar) :	G1/8" : 300 NI/min (Cv 0,3) – M5 : 300 NI/min (Cv 0,3)
Coil :	Epoxy encapsulated – Class A wires – 100% ED
Voltage range :	-15% to +10% of nominal voltage
Protection :	IP54 (electrical connection)
Power :	5,4 W – 2,4 W – 1,0 W

- Option :
- NPTF threads
- Spare parts :
- Inlet & exhaust isolator plate : N-36001 • Inlet isolator : N-36002
 - Exhaust isolator : N-36003 • Tie rod (x2) : 79411

DIMENSIONS

Dimensions shown are metric (mm)





Direct solenoid and solenoid pilot operated valves

Function	Port size	Flow [Max]	Manifold mounting	Series
3/2	G1/8"	300 NI/min	Manifold base "plug-in"	

OPERATIONAL BENEFITS

1. Balanced poppet, immune to variations of pressure.
2. Patented solenoid develops high shifting forces.
3. Short stroke with high flow.
4. Higher forces result in lower wattages for given flow.
5. Powerful return spring.



HOW TO ORDER

Port size	Universal Valve Normally Closed	Universal Valve Normally Open	Normally Closed Only
Valve less base	36A-J00-00-J XX P- XXX	36A-K00-00-J XX P- XXX	36A-L00-00-J XX P- XXX
G1/8"	36A-JSC-AE-J XX P- XXX	36A-KSC-AF-J XX P- XXX	36A-LSC-AE-J XX P- XXX

SOLENOID OPERATOR >

J **XX** P-**XXX** (-G) Add "G" for ground

XX Voltage	X Manual operator	XX Electrical connection
AA 120V~/5,4W	1 Non-locking	FA Base plug-in
DA 24V=/5,4W	2 Locking	FB Base plug-in with diode
DB 12V=/5,4W		FG Base plug-in with rectifier
DC 24V=/2,4W		
DD 12V=/2,4W		

* Other options available, see page 393.
Note : AC voltage requires connector with rectifier.

Example : Manifold base only : 36A-0SC-AC (Normally closed manifold base).

End plate quit required (port size G1/4") : M-46003-01P.

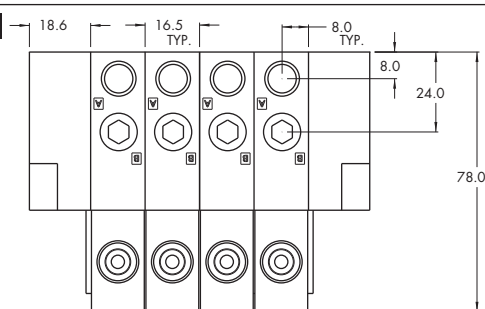
31
33
34
36
32
37
38
52
53
54
67
68
69
41
43
44
23
24
46
42
47
48P
48
400
92
83
93
ISO 01
ISO 02
ISO 1
ISO 2
ISO 3

TECHNICAL DATA

Fluid :	Compressed air, vacuum, inert gases
Pressure range :	Vacuum to 8 bar
Lubrication :	Not required, if used select a medium aniline point lubricant (between 80°C and 100°C)
Filtration :	40 µ
Temperature range :	-18°C to +50°C
Orifice :	3,3 mm
Flow (at 6 bar, ΔP=1bar) :	1,8W : 200 NI/min (Cv 0,20) – 2,4W : 200 NI/min (Cv 0,20) – 5,4W : 300 NI/min (Cv 0,30)
Coil :	Epoxy encapsulated – Class A wires – 100% ED
Voltage range :	-15% to +10% of nominal voltage
Protection :	IP54 (electrical connection)
Power :	5,4 W – 2,4 W – 1,8 W

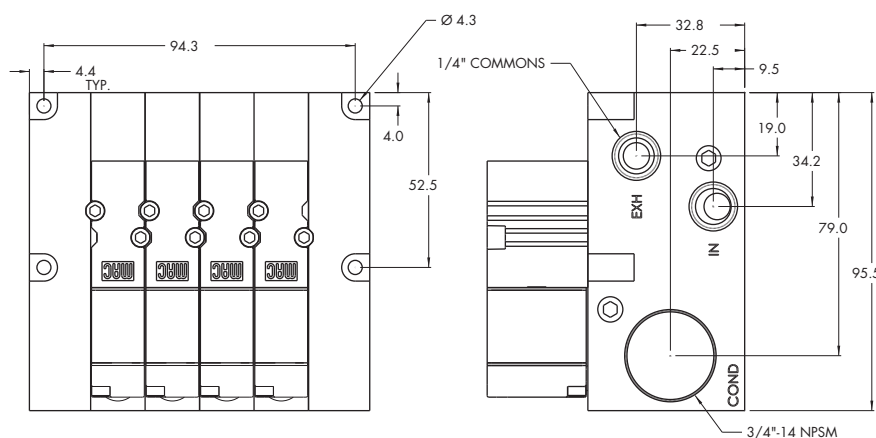
- Option :
- NPTF threads
- Spare parts :
- Inlet isolator : 28501 • Exhaust isolator : 28502 • Valve cover plate : M-46002
 - Tie rod (x2) : 79443

DIMENSIONS



Dimensions shown are metric (mm)

Note: For Normally closed manifold the "E" port is plugged.
For Normally open manifold the "A" port is plugged.





Direct solenoid and solenoid pilot operated valves

Function	Port size	Flow [Max]	Manifold mounting	Series
3/2	G1/8"	300 NI/min	Manifold base "plug-in" with pressure regulators	

OPERATIONAL BENEFITS

1. Balanced poppet, immune to variations of pressure.
2. Patented solenoid develops high shifting forces.
3. Short stroke with high flow.
4. Higher forces result in lower wattages for given flow.
5. Powerful return spring.



HOW TO ORDER

Port size	Universal Valve Normally Closed	Universal Valve Normally Open	Normally Closed Only
Valve less base	36A-J00-00-J xxP-xxx	36A-K00-00-J xxP-xxx	36A-L00-00-J xxP-xxx
G1/8"	36A-JSC-AG-J xxP-xxx	36A-KSC-AH-J xxP-xxx	36A-LSC-AG-J xxP-xxx

SOLENOID OPERATOR >

J XX P-xxx (-G) Add "G" for ground

XX Voltage	X Manual operator	XX Electrical connection
AA 120V~/5,4W	1 Non-locking	FA Base plug-in
DA 24V~/5,4W	2 Locking	FB Base plug-in with diode
DB 12V~/5,4W		FG Base plug-in with rectifier
DC 24V~/2,4W		
DD 12V~/2,4W		

* Other options available, see page 393.
Note : AC voltage requires connector with rectifier.

OPTIONS

36A-JSC-AG-Jxx P-xxx

- G NC manifold & regulator with slotted stem adjustment
- S NC manifold & regulator with locking slotted stem adjustment
- J NC manifold & regulator with knob adjustment
- H NO manifold & regulator with slotted stem adjustment
- T NO manifold & regulator with locking slotted stem adjustment
- K NO manifold & regulator with knob adjustment

Note : All manifold bases are only available with a bottom cylinder port.

Example : Manifold base only : 36A-0SC-AJ (Normally closed manifold base & regulator with knob).

End plate quit required (port size G1/4") : M-46003-01P.

31

33

34

36

32

37

38

52

53

54

67

68

69

41

43

44

23

24

46

42

47

48P

48

400

92

83

93

ISO 01

ISO 02

ISO 1

ISO 2

ISO 3

TECHNICAL DATA

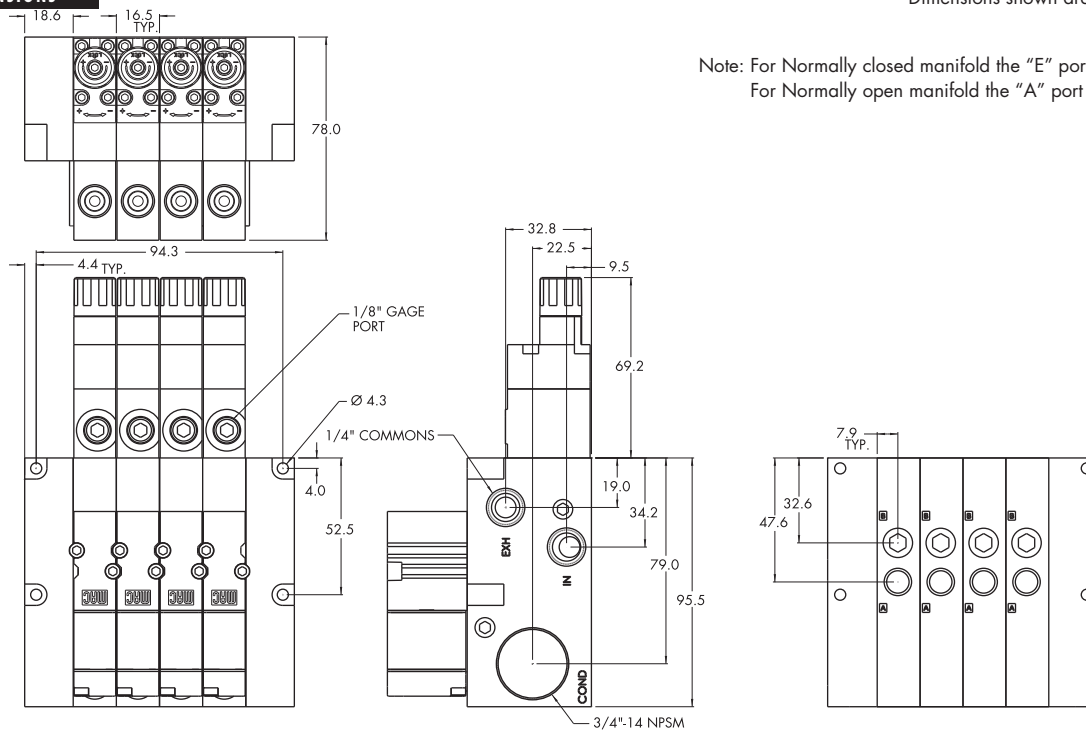
Fluid :	Compressed air, vacuum, inert gases
Pressure range :	Vacuum to 8 bar
Lubrication :	Not required, if used select a medium aniline point lubricant (between 80°C and 100°C)
Filtration :	40 µ
Temperature range :	-18°C to +50°C
Orifice :	3,3 mm
Flow (at 6 bar, ΔP=1bar) :	1,8W : 200 NI/min (Cv 0,20) – 2,4W : 200 NI/min (Cv 0,20) – 5,4W : 300 NI/min (Cv 0,30)
Coil :	Epoxy encapsulated – Class A wires – 100% ED
Voltage range :	-15% to +10% of nominal voltage
Protection :	IP54 (electrical connection)
Power :	5,4 W – 2,4 W – 1,8 W

Option : • NPTF threads

Spare parts : • Inlet isolator : 28501 • Exhaust isolator : 28502 • Valve cover plate : M-46002
• Tie rod (x2) : 79443

DIMENSIONS

Dimensions shown are metric (mm)



Note: For Normally closed manifold the "E" port is plugged.
For Normally open manifold the "A" port is plugged.

Individual mounting

Sub-base non "plug-in"	Sub-base "plug-in"	Sub-base/manifold base non "plug-in" with latching solenoid	Sub-base/manifold base "plug-in" with latching solenoid
------------------------	--------------------	---	---

Manifold mounting

Manifold base non "plug-in"	Manifold base "plug-in"	Sub-base/manifold base non "plug-in" with latching solenoid	Sub-base/manifold base "plug-in" with latching solenoid
-----------------------------	-------------------------	---	---

Series

31

33

34

36

32

37

38

52

53

54

67

68

69

41

43

44

23

24

46

42

47

48P

48

400

92

83

93

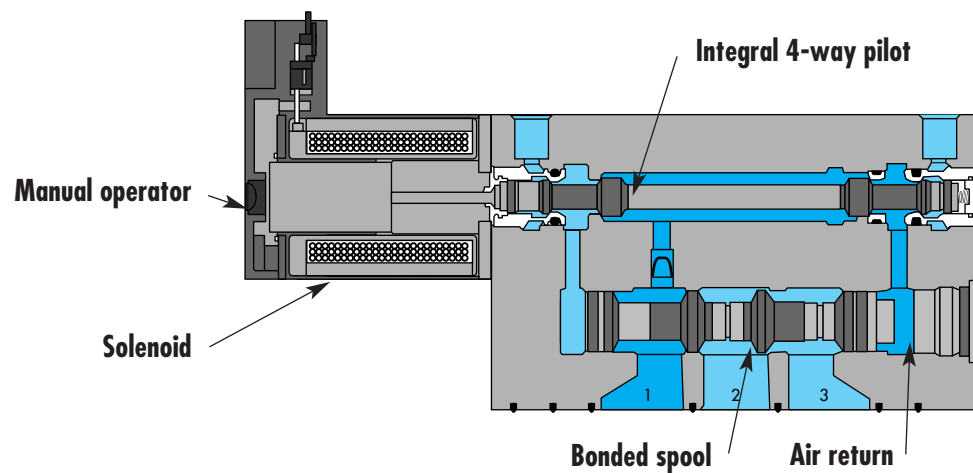
ISO 01

ISO 02

ISO 1

ISO 2

ISO 3



SERIES FEATURES

- High force MACSOLENOID®.
- Integral 4-way pilot design.
- Internal or external pilot.
- Normally open or normally closed function.
- Universal function (external pilot).
- Rectified AC voltage.
- Latching solenoid technology.



Direct solenoid and solenoid pilot operated valves

Function	Port size	Flow [Max]	Individual mounting	Series
3/2 NO-NC	G1/8"	400 NI/min	Sub-base non "plug-in"	

OPERATIONAL BENEFITS

1. 3-way valve with 4-way integral pilot.
2. 10 mm valve (stacks on 10.5 mm centres).
3. High flow (up to 400 NI/min).
4. Fast, repeatable response times.
5. Maximum shifting forces in both directions.



HOW TO ORDER

Port size	Pilot air	NO valve	NC valve	Universal valve
Valve less base	Internal	32B-BMA-000-Gxxx-xxx	32B-AMA-000-Gxxx-xxx	
	External	32B-BMB-000-Gxxx-xxx	32B-AMB-000-Gxxx-xxx	32B-GMB-000-Gxxx-xxx
G1/8"	Internal	32B-BMA-HAL-Gxxx-xxx	32B-AMA-HAL-Gxxx-xxx	
	External	32B-BMB-HAM-Gxxx-xxx	32B-AMB-HAM-Gxxx-xxx	32B-GMB-HAM-Gxxx-xxx

Note : Above codes are for side port.

STANDARD SOLENOID OPERATOR >

G **XXX-XXX***

XX Voltage	X Wire length	X Manual operator	XX Electrical connection
AA 120 V~/2,5W	A 45 cm	1 Non-locking	BA Flying leads
DA 24 V~/1,0W	B 60 cm	2 Locking	BT Flying leads with light
DC 24 V~/1,8W	C 90 cm		GA MAC JAC Solenoid plug-in
DD 24 V~/2,5W			GB MAC JAC Solenoid plug-in with diode
DF 24 V~/4,0W			GC MAC JAC Solenoid plug-in with MOV
			GD MAC JAC Solenoid plug-in with LED
			GE MAC JAC Solenoid plug-in with diode and LED
			GF MAC JAC Solenoid plug-in with MOV and LED
			GG MAC JAC Solenoid plug-in with rectifier
			GH MAC JAC Solenoid plug-in with rectifier and LED
			KA Mini connector
			KD Mini connector with rectifier light and ground
			KT Mini connector with light

Note : AC voltage requires connector with rectifier.

* Other options available, see page 387.

Washdown capability is possible for the "G" type electrical connector. Consult factory for ordering information

Latching solenoid also available, see page 45.

OPTIONS

Pilot/Base Configuration :

32B-xMx-xAx-Gxxx-xxx

- A Individual base – Side port
- B Individual base – Bottom port
- M Pilot exhaust muffled
- R Pilot exhaust piped M5
- U Pilot exhaust to main exhaust (not available with external pilot)

31

33

34

36

32

37

38

52

53

54

67

68

69

41

43

44

23

24

46

42

47

48P

48

400

92

83

93

ISO 01

ISO 02

ISO 1

ISO 2

ISO 3

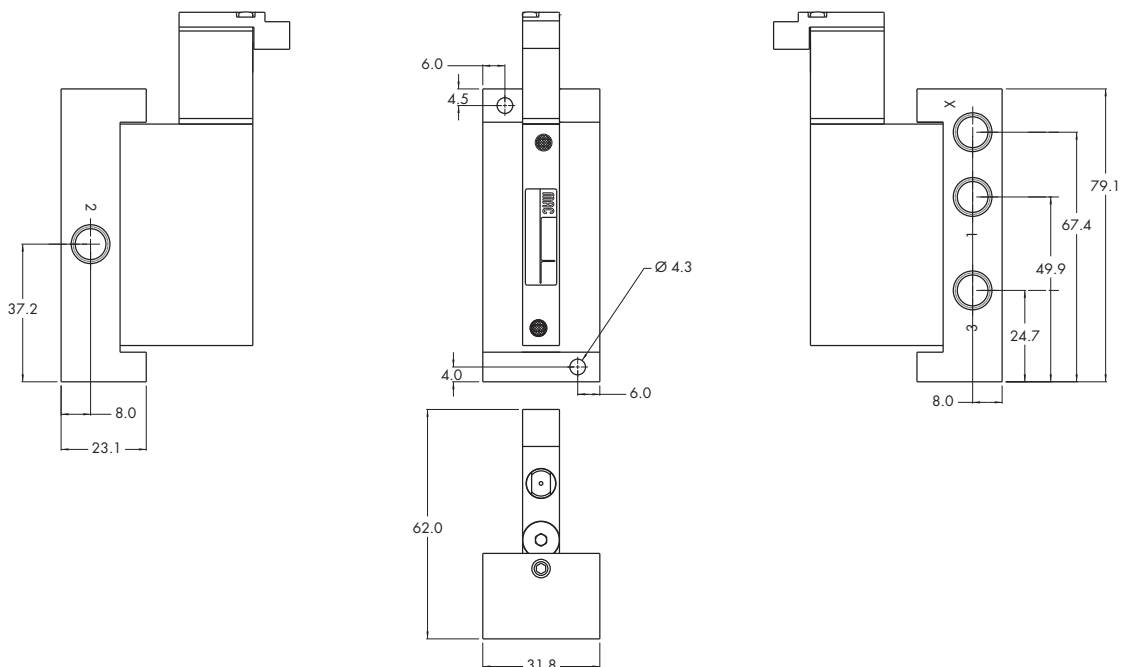
TECHNICAL DATA

Fluid :	Compressed air, vacuum, inert gases
Pressure range :	Internal Pilot : 1,3 to 8 bar External Pilot : Vacuum to 8 bar
Pilot pressure :	1,3 to 8 bar
Lubrication :	Not required, if used select a medium aniline point lubricant (between 80°C and 100°C)
Filtration :	40 µ
Temperature range :	-18°C to +50°C
Orifice :	3,8 mm
Flow (at 6 bar, ΔP=1 bar) :	G1/8" : 400 NI/min (Cv 0,40)
Coil :	Epoxy encapsulated – 100% ED – Class A wire
Voltage range :	-15% to +10% of nominal voltage
Protection :	IP54 (electrical connection)
Power :	1.0 to 4.0 W
Response times : (with 4 W coil)	Energize : 5 ms De-energize : 5 ms

Options : • NPTF threads

DIMENSIONS

Dimensions shown are metric (mm)





Direct solenoid and solenoid pilot operated valves

Function	Port size	Flow [Max]	Individual mounting	Series
3/2 NO-NC	M5, M7	400 NI/min	Sub-base "plug-in"	

OPERATIONAL BENEFITS

1. 3-way valve with 4-way integral pilot.
2. 10 mm valve (stacks on 10.5 mm centres).
3. High flow (up to 400 NI/min).
4. Fast, repeatable response times.
5. Maximum shifting forces in both directions.



HOW TO ORDER

Port size	Pilot air	NO valve	NC valve	Universal valve
Valve less base	Internal	32B-BMA-000-GxxP-xxx	32B-AMA-000-GxxP-xxx	
	External	32B-BMB-000-GxxP-xxx	32B-AMB-000-GxxP-xxx	32B-GMB-000-GxxP-xxx
M5	Internal	32B-BMA-GAA-GxxP-xxx	32B-AMA-GAA-GxxP-xxx	
	External	32B-BMB-GAB-GxxP-xxx	32B-AMB-GAB-GxxP-xxx	32B-GMB-GAB-GxxP-xxx
M7	Internal	32B-BMA-LAA-GxxP-xxx	32B-AMA-LAA-GxxP-xxx	
	External	32B-BMB-LAB-GxxP-xxx	32B-AMB-LAB-GxxP-xxx	32B-GMB-LAB-GxxP-xxx

Note : Above codes are for side port.

STANDARD SOLENOID OPERATOR >

G **XX** P-**XXX***

XX Voltage	X Manual operator	XX Electrical connection
AA 120 V~/2,5W	1 Non-locking	SA Base plug-in
DA 24 V~/1,0W	2 Locking	SJ Base plug-in with light
DC 24 V=/1,8W		SS Base plug-in with rectifier & light & ground
DD 24 V=/2,5W		
DF 24 V=/4,0W		

Note : AC voltage requires connector with rectifier.

* Other options available, see page 387.

Washdown capability is possible for the "G" type electrical connector. Consult factory for ordering information. Latching solenoid also available, see page 47.

OPTIONS

Pilot/Base Configuration :

32B-**xMx-xAx-GxxP-xxx**

- A** Individual base – Side port
- B** Individual base – Bottom port
- M** Pilot exhaust muffled
- R** Pilot exhaust piped M5
- U** Pilot exhaust to main exhaust (not available with external pilot)

31
33
34
36
32
37
38
52
53
54
67
68
69
41
43
44
23
24
46
42
47
48P
48
400
92
83
93
ISO 01
ISO 02
ISO 1
ISO 2
ISO 3



100%
OF
PRODUCTION
TESTED
100%

WARRANTY
18
MONTHS

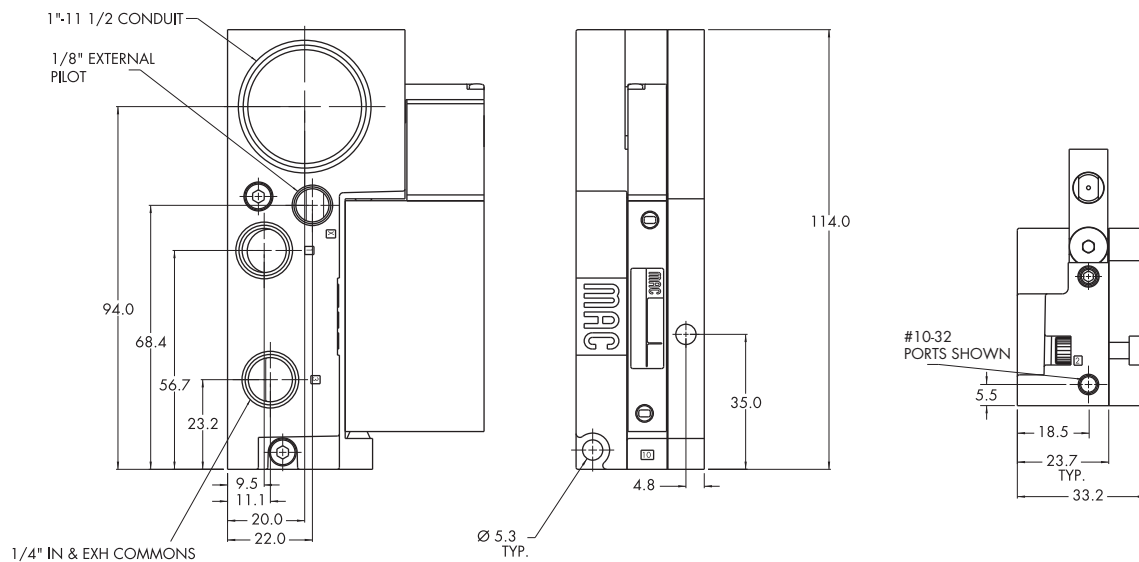
TECHNICAL DATA

Fluid :	Compressed air, vacuum, inert gases
Pressure range :	Internal Pilot : 1,3 to 8 bar External Pilot : Vacuum to 8 bar
Pilot pressure :	1,3 to 8 bar
Lubrication :	Not required, if used select a medium aniline point lubricant (between 80°C and 100°C)
Filtration :	40 µ
Temperature range :	-18°C to +50°C
Orifice :	3,8 mm
Flow (at 6 bar, ΔP=1bar) :	M5 : 350 NI/min (Cv 0,35) - M7 : 400 NI/min (Cv 0,40)
Coil :	Epoxy encapsulated – 100% ED – Class A wire
Voltage range :	-15% to +10% of nominal voltage
Protection :	IP54 (electrical connection)
Power :	1.0 to 4.0 W
Response times : (with 4 W coil)	Energize : 5 ms De-energize : 5 ms

Options : • NPTF threads

DIMENSIONS

Dimensions shown are metric (mm)





Direct solenoid and solenoid pilot operated valves

Function	Port size	Flow [Max]	Manifold mounting	Series
3/2 NO-NC	M5, M7	400 NI/min	Manifold base non "plug-in"	

OPERATIONAL BENEFITS

1. 3-way valve with 4-way integral pilot.
2. 10 mm valve (stacks on 10.5 mm centres).
3. High flow (up to 400 NI/min).
4. Fast, repeatable response times.
5. Maximum shifting forces in both directions.



HOW TO ORDER

Port size	Pilot air	NO valve	NC valve	Universal valve
Valve less base	Internal	32B-BMA-000-GXXX-XXX	32B-AMA-000-GXXX-XXX	
	External	32B-BMB-000-GXXX-XXX	32B-AMB-000-GXXX-XXX	32B-GMB-000-GXXX-XXX
M5	Internal	32B-BMA-GJL-GXXX-XXX	32B-AMA-GJL-GXXX-XXX	
	External	32B-BMB-GJM-GXXX-XXX	32B-AMB-GJM-GXXX-XXX	32B-GMB-GJM-GXXX-XXX
M7	Internal	32B-BMA-LJL-GXXX-XXX	32B-AMA-LJL-GXXX-XXX	
	External	32B-BMB-LJM-GXXX-XXX	32B-AMB-LJM-GXXX-XXX	32B-GMB-LJM-GXXX-XXX

Note : Above codes are for side port.

STANDARD SOLENOID OPERATOR >

XX Voltage	X Wire length	X Manual operator	XX Electrical connection
AA 120 V~/2,5W	A 45 cm	1 Non-locking	BA Flying leads
DA 24 V~/1,0W	B 60 cm	2 Locking	BT Flying leads with light
DC 24 V~/1,8W	C 90 cm		GA MAC JAC Solenoid plug-in
DD 24 V~/2,5W			GB MAC JAC Solenoid plug-in with diode
DF 24 V~/4,0W			GC MAC JAC Solenoid plug-in with MOV
			GD MAC JAC Solenoid plug-in with LED
			GE MAC JAC Solenoid plug-in with diode and LED
			GF MAC JAC Solenoid plug-in with MOV and LED
			GG MAC JAC Solenoid plug-in with rectifier
			GH MAC JAC Solenoid plug-in with rectifier and LED
			KA Mini connector
			KD Mini connector with rectifier light and ground
			KT Mini connector with light

Note : AC voltage requires connector with rectifier.

* Other options available, see page 387.

Washdown capability is possible for the "G" type electrical connector. Consult factory for ordering information.

Latching solenoid also available, see page 45.

OPTIONS

Base only :

32B-000-XXX (i.e. 32B-000-GJL)

Base Configuration :

32B-xM-xJL-GXXX-XXX

- J Manifold base – Side port
- K Manifold base – Bottom port
- M Pilot exhaust muffled
- R Pilot exhaust piped M5
- U Pilot exhaust to main exhaust (not available with external pilot)

Note : Manifold assemblies require an end plate kit :
M-32003-01-01P (Internal pilot)
M-32003-02-01P (External pilot)

- 31
- 33
- 34
- 36
- 32**
- 37
- 38
- 52
- 53
- 54
- 67
- 68
- 69
- 41
- 43
- 44
- 23
- 24
- 46
- 42
- 47
- 48P
- 48
- 400
- 92
- 83
- 93
- ISO 01
- ISO 02
- ISO 1
- ISO 2
- ISO 3



100%
OF
PRODUCTION
TESTED
100%

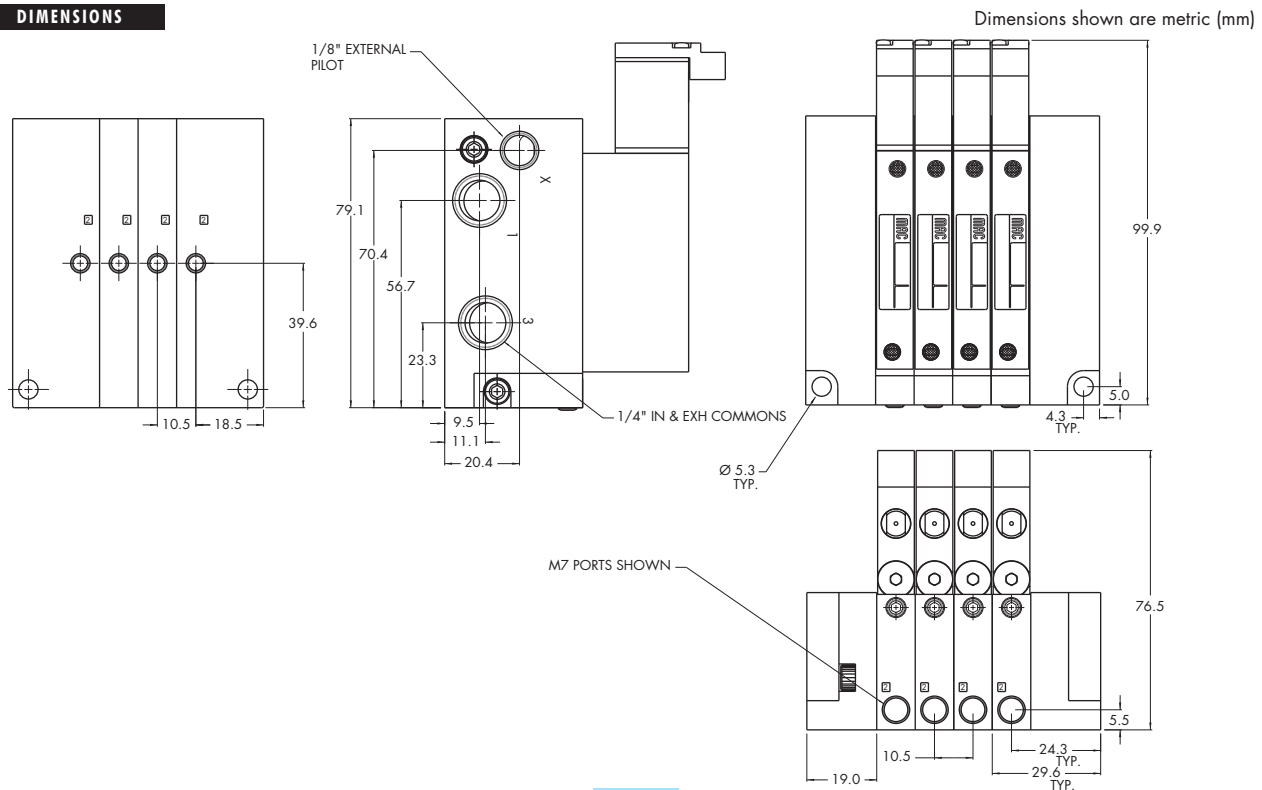
WARRANTY
18
MONTHS

TECHNICAL DATA

Fluid :	Compressed air, vacuum, inert gases
Pressure range :	Internal Pilot : 1,3 to 8 bar External Pilot : Vacuum to 8 bar
Pilot pressure :	1,3 to 8 bar
Lubrication :	Not required, if used select a medium aniline point lubricant (between 80°C and 100°C)
Filtration :	40 µ
Temperature range :	-18°C to +50°C
Orifice :	3,8 mm
Flow (at 6 bar, ΔP=1bar) :	M5 : 350 NI/min (Cv 0,35) - M7 : 400 NI/min (Cv 0,40)
Coil :	Epoxy encapsulated – 100% ED – Class A wire
Voltage range :	-15% to +10% of nominal voltage
Protection :	IP54 (electrical connection)
Power :	1.0 to 4.0 W
Response times : (with 4 W coil)	Energize : 5 ms De-energize : 5 ms

Options : • NPTF threads

DIMENSIONS



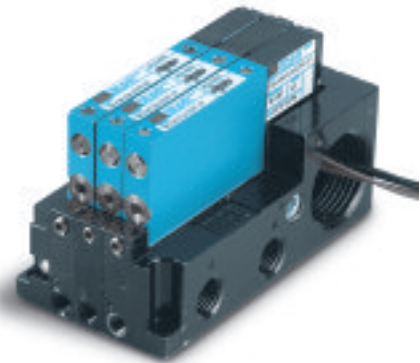


Direct solenoid and solenoid pilot operated valves

Function	Port size	Flow [Max]	Manifold mounting	Series
3/2 NO-NC	M5, M7	400 NI/min	Manifold base "plug-in"	

OPERATIONAL BENEFITS

1. 3-way valve with 4-way integral pilot.
2. 10 mm valve (stacks on 10.5 mm centres).
3. High flow (up to 400 NI/min).
4. Fast, repeatable response times.
5. Maximum shifting forces in both directions.



HOW TO ORDER

Port size	Pilot air	NO valve	NC valve	Universal valve
Valve less base	Internal	32B-BMA-000-GxxP-xxx	32B-AMA-000-GxxP-xxx	
	External	32B-BMB-000-GxxP-xxx	32B-AMB-000-GxxP-xxx	32B-GMB-000-GxxP-xxx
M5	Internal	32B-BMA-GJA-GxxP-xxx	32B-AMA-GJA-GxxP-xxx	
	External	32B-BMB-GJB-GxxP-xxx	32B-AMB-GJB-GxxP-xxx	32B-GMB-GJB-GxxP-xxx
M7	Internal	32B-BMA-LJA-GxxP-xxx	32B-AMA-LJA-GxxP-xxx	
	External	32B-BMB-LJB-GxxP-xxx	32B-AMB-LJB-GxxP-xxx	32B-GMB-LJB-GxxP-xxx

Note : Above codes are for side port.

STANDARD SOLENOID OPERATOR >

G **XX** P-**XXX***

XX Voltage	X Manual operator	XX Electrical connection
AA 120 V~/2,5W	1 Non-locking	SA Base plug-in
DA 24 V~/1,0W	2 Locking	SJ Base plug-in with light
DC 24 V=/1,8W		SS Base plug-in with rectifier & light & ground
DD 24 V=/2,5W		
DF 24 V=/4,0W		

Note : AC voltage requires connector with rectifier.

* Other options available, see page 387.

Washdown capability is possible for the "G" type electrical connector. Consult factory for ordering information.

Latching solenoid also available, see page 47.

OPTIONS

Base only :

32B-000-xxx (i.e. 32B-000-GJA)

Base Configuration :

32B-xxx-Jx-GxxP-xxx

- J Manifold base - Side port
- K Manifold base - Bottom port
- L Left end manifold base - Side port
- M Left end manifold base - Bottom port
- N Right end manifold base - Side port
- P Right end manifold base - Bottom port

Note : Manifold assemblies consist of (1) left end manifold, (1) right end manifold and middle station manifolds (options "J" or "K").

31
33
34
36

32

37
38
52
53
54

67
68
69
41
43
44
23

24

46

42

47

48P

48

400

92

83

93

ISO 01

ISO 02

ISO 1

ISO 2

ISO 3

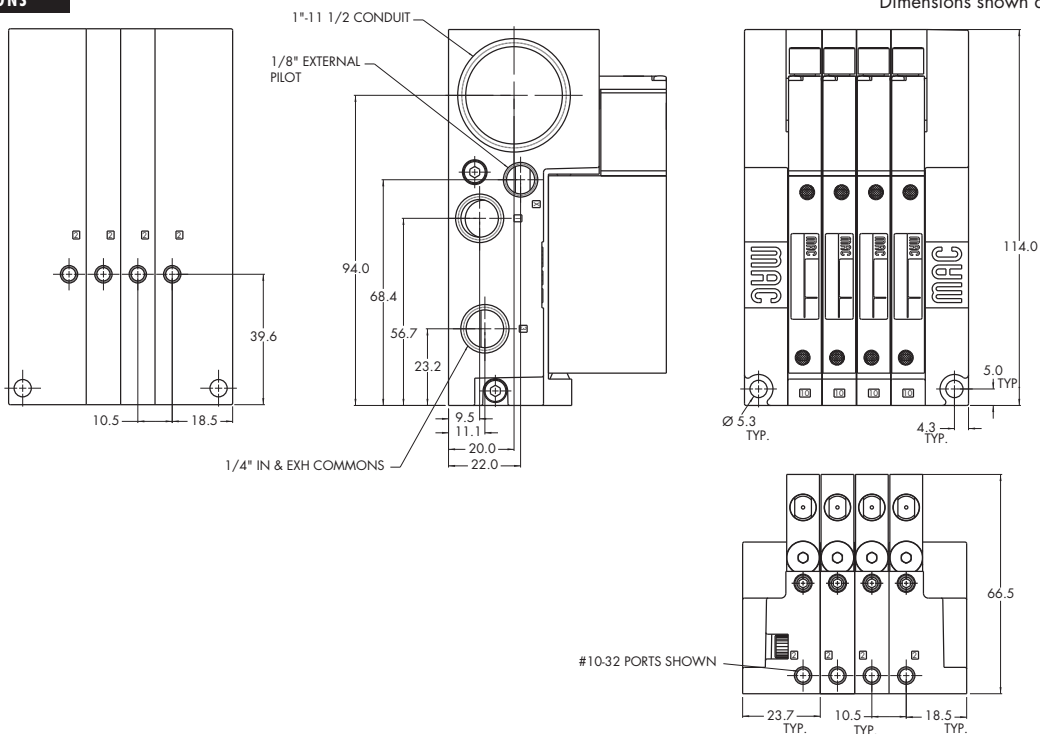
TECHNICAL DATA

Fluid :	Compressed air, vacuum, inert gases
Pressure range :	Internal Pilot : 1,3 to 8 bar External Pilot : Vacuum to 8 bar
Pilot pressure :	1,3 to 8 bar
Lubrication :	Not required, if used select a medium aniline point lubricant (between 80°C and 100°C)
Filtration :	40 µ
Temperature range :	-18°C to +50°C
Orifice :	3,8 mm
Flow (at 6 bar, ΔP=1bar) :	M5 : 350 NI/min (Cv 0,35) - M7 : 400 NI/min (Cv 0,40)
Coil :	Epoxy encapsulated – 100% ED – Class A wire
Voltage range :	-15% to +10% of nominal voltage
Protection :	IP54 (electrical connection)
Power :	1.0 to 4.0 W
Response times : (with 4 W coil)	Energize : 5 ms De-energize : 5 ms

Options : • NPTF threads

DIMENSIONS

Dimensions shown are metric (mm)





Direct solenoid and solenoid pilot operated valves

Function	Port size	Flow [Max]	Individual/Manifold mounting	Series
3/2 NO-NC	M5, M7	400 NI/min	Subbase/ manifold base non "plug-in" with latching solenoid	

OPERATIONAL BENEFITS

1. 3-way valve with 4-way integral pilot.
2. 10 mm valve (stacks on 10.5 mm centres).
3. High flow (up to 400 NI/min).
4. Fast, repeatable response times.
5. Maximum shifting forces in both directions.



HOW TO ORDER

Port size	Pilot air	NO valve	NC valve
Valve less base	Internal	32B-BMA-000-Lxxx-xxx	32B-AMA-000-Lxxx-xxx
	External	32B-BMB-000-Lxxx-xxx	32B-AMB-000-Lxxx-xxx
M5	Internal	32B-BMA-GAL-Lxxx-xxx	32B-AMA-GAL-Lxxx-xxx
	External	32B-BMB-GAM-Lxxx-xxx	32B-AMB-GAM-Lxxx-xxx
M7	Internal	32B-BMA-LAL-Lxxx-xxx	32B-AMA-LAL-Lxxx-xxx
	External	32B-BMB-LAM-Lxxx-xxx	32B-AMB-LAM-Lxxx-xxx

Note : Above codes are for individual base and side port.

LATCHING SOLENOID OPERATOR >

XX Voltage	X Wire length	X Manual operator	XX Electrical connection**
DF 24 V=/4,0W	A 45 cm	0 No operator	BA 2 Wire Flying leads
HA 24 V=/1,95W	B 60 cm		BJ 4 Wire Flying leads
	C 90 cm		KA 2 Wire Plug-in Assembly
			KE 4 Wire Plug-in Assembly
			LA 3 Wire plug-in assembly (Polarity Switching Cover)

* Other options available, see page 395.

** Latching 32 series with non plug-in base configuration must use "B", "K" or "L" type electrical connector.

OPTIONS

Pilot/Base Configuration :

32B-xM-x-A-x-Lxxx-xxx

- A** Individual base – Side port
- B** Individual base – Bottom port
- J** Manifold base – Side port
- K** Manifold base – Bottom port
- M** Pilot exhaust muffled
- R** Pilot exhaust piped M5
- U** Pilot exhaust to main exhaust (not available with external pilot)

Note : Manifold assemblies require an end plate kit: M-32003-01-01P (internal pilot)
M-32003-02-01P (external pilot)

31
33
34
36
32
37
38
52
53
54
67
68
69
41
43
44
23
24
46
42
47
48P
48
400
92
83
93
ISO 01
ISO 02
ISO 1
ISO 2
ISO 3

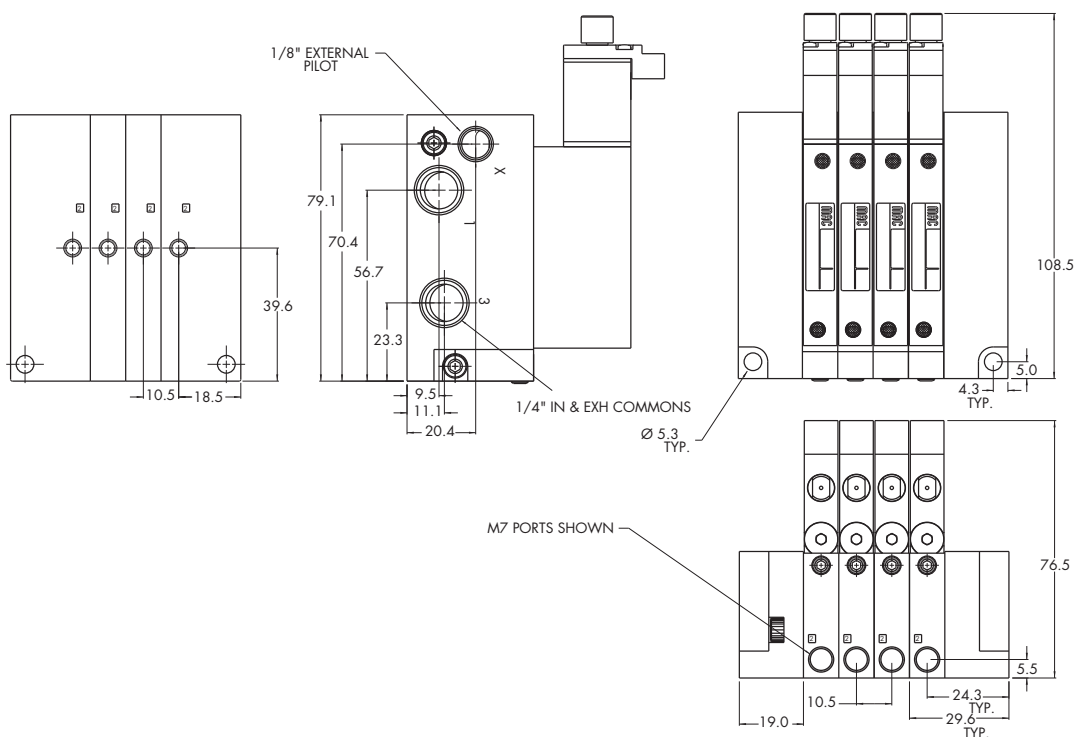
TECHNICAL DATA

Fluid :	Compressed air, vacuum, inert gases
Pressure range :	Internal Pilot : 1,3 to 8 bar External Pilot : Vacuum to 8 bar
Pilot pressure :	1,3 to 8 bar
Lubrication :	Not required, if used select a medium aniline point lubricant (between 80°C and 100°C)
Filtration :	40 µ
Temperature range :	-18°C to +50°C
Orifice :	3,8 mm
Flow (at 6 bar, ΔP=1 bar) :	M5 : 350 NI/min (Cv 0,35) - M7 : 400 NI/min (Cv 0,40)
Coil :	Epoxy encapsulated – 100% ED – Class A wire
Voltage range :	-15% to +10% of nominal voltage
Protection :	IP54 (electrical connection)
Power :	1.95 to 4.0 W
Response times : (with 4 W coil)	Energize : 5 ms De-energize : 5 ms

Options : • NPTF threads

DIMENSIONS

Dimensions shown are metric (mm)





Direct solenoid and solenoid pilot operated valves

Function	Port size	Flow [Max]	Individual/Manifold mounting	Series
3/2 NO-NC	M5, M7	400 NI/min	Sub-base/ manifold base "plug-in" with latching solenoid	

OPERATIONAL BENEFITS

1. 3-way valve with 4-way integral pilot.
2. 10 mm valve (stacks on 10.5 mm centres).
3. High flow (up to 400 NI/min).
4. Fast, repeatable response times.
5. Maximum shifting forces in both directions.



HOW TO ORDER

Port size	Pilot air	NO valve	NC valve
Valve less base	Internal	32B-BMA-000-LxxP-xxx	32B-AMA-000-LxxP-xxx
	External	32B-BMB-000-LxxP-xxx	32B-AMB-000-LxxP-xxx
M5	Internal	32B-BMA-GAA-LxxP-xxx	32B-AMA-GAA-LxxP-xxx
	External	32B-BMB-GAB-LxxP-xxx	32B-AMB-GAB-LxxP-xxx
M7	Internal	32B-BMA-LAA-LxxP-xxx	32B-AMA-LAA-LxxP-xxx
	External	32B-BMB-LAB-LxxP-xxx	32B-AMB-LAB-LxxP-xxx

Note : Above codes are for individual base and side port.

LATCHING SOLENOID OPERATOR >

L XX P-XXX *

XX Voltage	X Manual operator	XX Electrical connection**
DF 24 V=/4,0W	0 No operator	DA Base/Manifold Plug-in
HA 24 V=/1,95W		DB Base/Manifold Plug-in w/Ground
		DC Base/Manifold Plug-in w/ Light
		DD Base/Manifold Plug-in w/ Light and Ground
		EA Base/Manifold Plug-in 3 Pin (Polarity Switching Cover)

* Other options available, see page 395.

**2 and 4 wire base must use "D" type electrical connector, 3 wire base must use "EA" type electrical connector.

OPTIONS

Manifold/Base Configuration :

32B-xMx-xA-LxxP-xxx

- A** Individual base - Side port
- B** Individual base - Bottom port
- J** Manifold base - Side port
- K** Manifold base - Bottom port
- L** Left end manifold base - Side port
- M** Left end manifold base - Bottom port
- N** Right end manifold base - Side port
- P** Right end manifold base - Bottom port

- M** Pilot exhaust muffled
- R** Pilot exhaust piped M5
- U** Pilot exhaust to main exhaust (not available with external pilot)

Base Int./Ext. Pilot :

32B-xxx-xxA-LxxP-xxx

- A** Plug-In Int. Pilot (2 Wire)**
- B** Plug-In Ext. Pilot (2 Wire)**
- C** Plug-In Int. Pilot (3 Wire)**
- D** Plug-In Ext. Pilot (3 Wire)**
- E** Plug-In Int. Pilot (4 Wire)**
- F** Plug-In Ext. Pilot (4 Wire)**

Note : Manifold assemblies consist of (1) left end manifold, (1) right end manifold, and middle station manifolds (option J or K).

31
33
34
36
32

37
38
52
53
54
67
68
69
41
43
44
23
24

46
42
47
48P
48

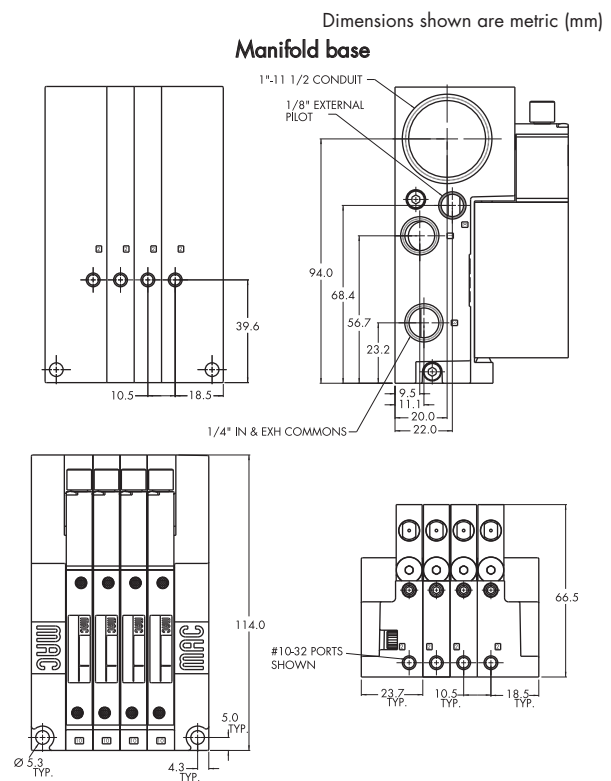
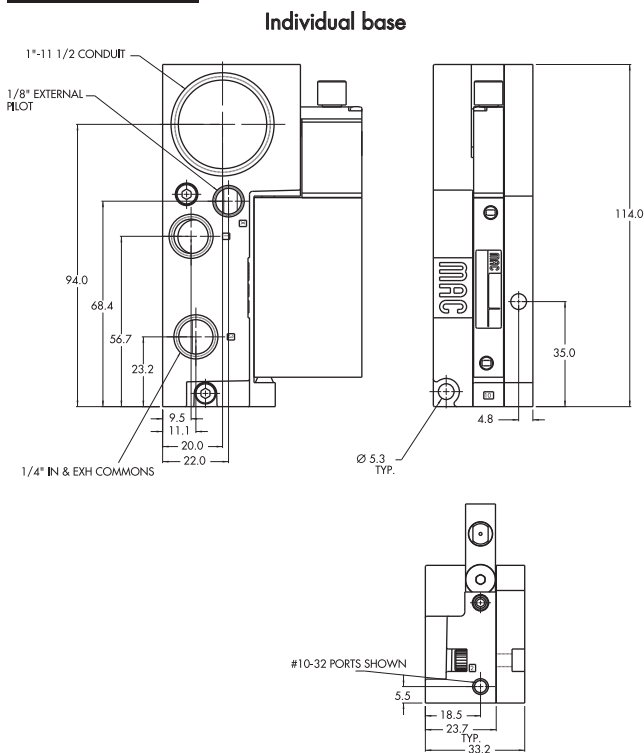
400
92
83
93
ISO 01
ISO 02
ISO 1
ISO 2
ISO 3

TECHNICAL DATA

Fluid :	Compressed air, vacuum, inert gases
Pressure range :	Internal Pilot : 1,3 to 8 bar External Pilot : Vacuum to 8 bar
Pilot pressure :	1,3 to 8 bar
Lubrication :	Not required, if used select a medium aniline point lubricant (between 80°C and 100°C)
Filtration :	40 µ
Temperature range :	-18°C to +50°C
Orifice :	3,8 mm
Flow (at 6 bar, ΔP=1bar) :	M5 : 350 NI/min (Cv 0,35) - M7 : 400 NI/min (Cv 0,40)
Coil :	Epoxy encapsulated – 100% ED – Class A wire
Voltage range :	-15% to +10% of nominal voltage
Protection :	IP54 (electrical connection)
Power :	1.0 to 4.0 W
Response times : (with 4 W coil)	Energize : 5 ms De-energize : 5 ms

Options : • NPTF threads

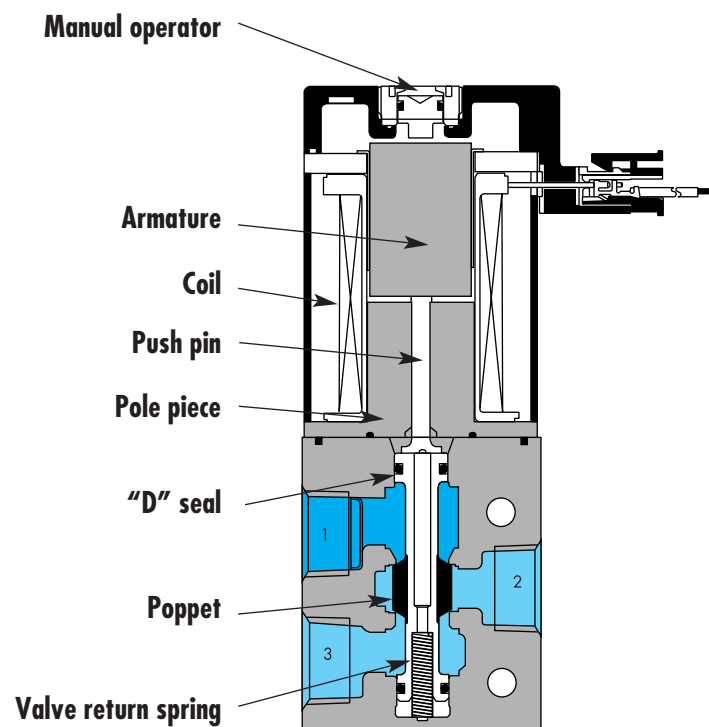
DIMENSIONS



Individual mounting

Series

Inline	Sub-base non plug-in
--------	----------------------



SERIES FEATURES

- Balanced poppet equals consistent high shifting forces.
- Valve shifting forces are consistent and independent of pressure fluctuations.
- High solenoid and return spring forces ensure high speed and precise repeatability.
- Built-in wear compensation - valve stroke is shorter than solenoid stroke.
- Constant high flow maintained throughout the pressure range.
- Exhaust contaminants are isolated from the solenoid.
- Full flow exhaust.
- Universal porting - 6 functions in one valve.

31
33
34
36
32
37
38
52
53
54
67
68
69
41
43
44
23
24
46
42
47
48P
48
400
92
83
93
ISO 01
ISO 02
ISO 1
ISO 2
ISO 3



Direct solenoid and solenoid pilot operated valves

Function	Port size	Flow [Max]	Individual mounting	Series
3/2 NO-NC	G1/8" - G1/4"	500 NI/min	Inline	

OPERATIONAL BENEFITS

- Balanced poppet equals consistent high shifting forces.
- Valve shifting forces are consistent and independent of pressure fluctuations.
- High solenoid and return spring forces ensure high speed and precise repeatability.
- Built-in wear compensation – valve stroke is shorter than solenoid stroke.
- Constant high flow maintained throughout the pressure range.
- Exhaust contaminants are isolated from the solenoid.
- Full flow exhaust.
- Universal porting – 6 functions in one valve.



HOW TO ORDER

Port size	Universal valve	NC only valve
G1/8"	37A-AC0-H xxx-xxx	37A-BC0-H xxx-xxx
G1/4"	37A-AD0-H xxx-xxx	37A-BD0-H xxx-xxx

SOLENOID OPERATOR >

H **XXX-XXX***

XX	Voltage	X	Wire length	X	Manual operator	XX	Electrical connection
AA	120 V~/6,7W	A	45 cm	1	Non-locking	MA	Mini connector
DA	24 V~/5,2W	B	60 cm	2	Locking	MC	Mini connector with light
DB	24 V~/2,4W					BA	Flying leads
DC	24 V~/1,8W					BC	Flying leads with light
						MT	Plug-in wire assembly with rectifier and light

Note : AC voltage requires connector with rectifier.
* Other options available, see page 391.

31
33
34
36
32
37
38
52
53
54
67
68
69
41
43
44
23
24
46
42
47
48P
48
400
92
83
93
ISO 01
ISO 02
ISO 1
ISO 2
ISO 3



100%
OF
PRODUCTION
TESTED
100%

WARRANTY
18
MONTHS

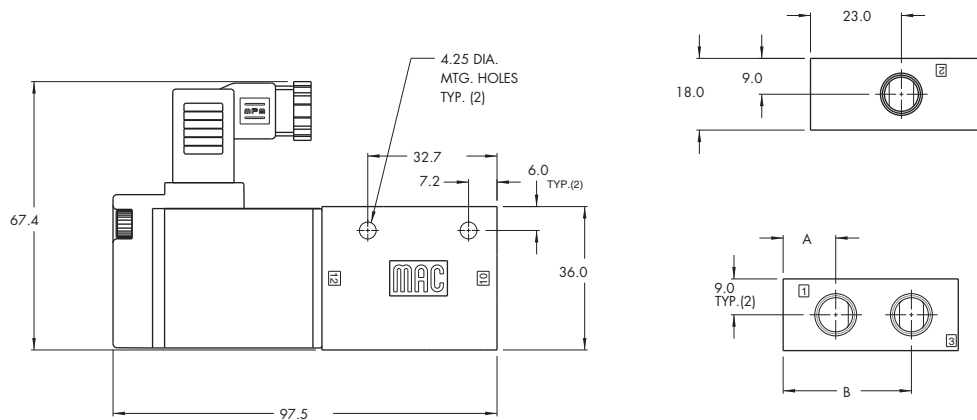
TECHNICAL DATA

Fluid :	Compressed air, vacuum, inert gases
Pressure range :	Vacuum to 8 bar
Lubrication :	Not required, if used select a medium aniline point lubricant (between 80°C and 100°C)
Filtration :	40 µ
Temperature range :	-18°C to +50°C
Orifice :	4,3 mm
Flow :	5,2 W : 500 Nl/min (Cv 0,5) – 2,4 W : 350 Nl/min (Cv 0,35)
Coil :	Epoxy encapsulated – 100% ED
Voltage range :	-15% to +10% of nominal voltage
Protection :	IP54 (electrical connection)
Power :	5,2 W – 2,4 W
Response times : (with 5,2 W coil)	Energize : 16,9 ms De-energize : 6,7 ms

Options : • NPTF ports

DIMENSIONS

Dimensions shown are metric (mm)



Dim	A	B
1/8"	13.3	32.45
1/4"	14.7	33.7



Direct solenoid and solenoid pilot operated valves

Function	Port size	Flow [Max]	Individual mounting	Series
3/2 NO-NC	G1/8" - G1/4"	500 NI/min	Subbase non plug-in	

OPERATIONAL BENEFITS

- Balanced poppet equals consistent high shifting forces.
- Valve shifting forces are consistent and independent of pressure fluctuations.
- High solenoid and return spring forces ensure high speed and precise repeatability.
- Built-in wear compensation – valve stroke is shorter than solenoid stroke.
- Constant high flow maintained throughout the pressure range.
- Exhaust contaminants are isolated from the solenoid.
- Full flow exhaust.
- Universal porting – 6 functions in one valve.



HOW TO ORDER

Port size	Universal valve	NC only valve
Valve less base	37A-C10-H xxx-xxx	37A-D10-H xxx-xxx
G1/8"	37A-CCA-H xxx-xxx	37A-DCA-H xxx-xxx
G1/4"	37A-CDA-H xxx-xxx	37A-DDA-H xxx-xxx

SOLENOID OPERATOR >

H **XXX-XXX***

XX Voltage	X Wire length	X Manual operator	XX Electrical connection
AA 120 V~/6,7W	A 45 cm	1 Non-locking	MA Plug-in wire assembly
DA 24 V~/5,2W	B 60 cm	2 Locking	MC Plug-in wire assembly with light
DB 24 V~/2,4W			BA Flying leads
DC 24 V~/1,8W			BC Flying leads with light
			HA Plug-in wire assembly with rectifier & light

Note : AC voltage requires connector with rectifier.
* Other options available, see page 391.

OPTIONS

- Base only :
- 37A-OCA (1/8")
 - 37A-ODA (1/4")

31
33
34
36
32
37
38
52
53
54
67
68
69
41
43
44
23
24
46
42
47
48P
48
400
92
83
93
ISO 01
ISO 02
ISO 1
ISO 2
ISO 3



100%
OF
PRODUCTION
TESTED
100%

WARRANTY
18
MONTHS

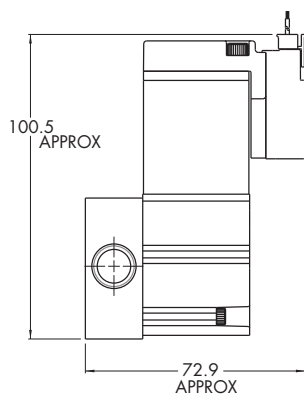
TECHNICAL DATA

Fluid :	Compressed air, vacuum, inert gases
Pressure range :	Vacuum to 8 bar
Lubrication :	Not required, if used select a medium aniline point lubricant (between 80°C and 100°C)
Filtration :	40 µ
Temperature range :	-18°C to +50°C
Orifice :	4,3 mm
Flow :	5,2 W : 500 Nl/min (Cv 0,5) – 2,4 W : 350 Nl/min (Cv 0,35)
Coil :	Epoxy encapsulated – 100% ED
Voltage range :	-15% to +10% of nominal voltage
Protection :	IP54 (electrical connection)
Power :	5,2 W – 2,4 W
Response times : (with 5,2 W coil)	Energize : 16,9 ms De-energize : 6,7 ms

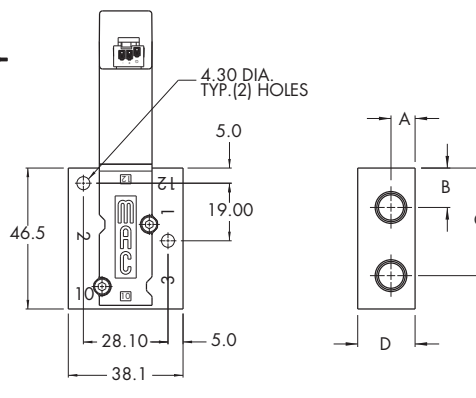
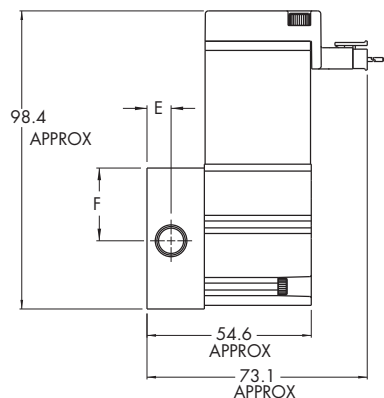
Options : • NPTF ports

DIMENSIONS

Dimensions shown are metric (mm)



RECTIFIER COVER OPTION
(SHOWN WITH 1/4" PORTS)



FLYING LEAD OPTION
(SHOWN WITH 1/8" PORTS)

Dim	A	B	C	D	E	F
1/8"	8.0	13.0	35.5	19.05	8.0	24.0
1/4"	9.5	9.5			9.5	22.5

Individual mounting

Sub-base non "plug-in"	Sub-base "plug-in"	Sub-base/manifold base non "plug-in" with latching solenoid	Sub-base/manifold base "plug-in" with latching solenoid
------------------------	--------------------	---	---

Manifold mounting

Manifold base "plug-in"	Sub-base/manifold base non "plug-in" with latching solenoid	Sub-base/manifold base "plug-in" with latching solenoid
-------------------------	---	---

Series

31

33

34

36

32

37

38

52

53

54

67

68

69

41

43

44

23

24

46

42

47

48P

48

400

92

83

93

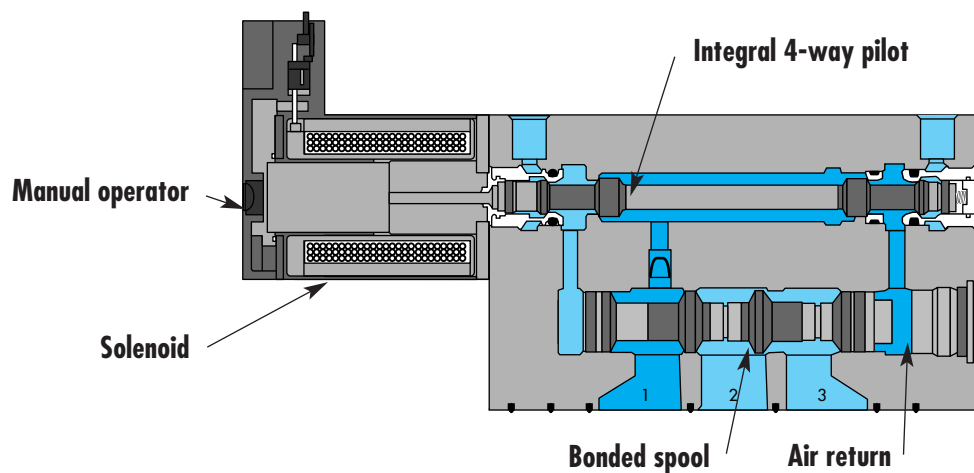
ISO 01

ISO 02

ISO 1

ISO 2

ISO 3



SERIES FEATURES

- High force MACSOLENOID®.
- Integral 4-way pilot design.
- Internal or external pilot.
- Normally open or normally closed function.
- Universal function (external pilot).
- Rectified AC voltage.
- Latching solenoid technology.



Direct solenoid and solenoid pilot operated valves

Function	Port size	Flow [Max]	Individual mounting	Series
3/2 NO-NC	G1/8"	1200 NI/min	Sub-base non "plug-in"	

OPERATIONAL BENEFITS

1. 3-way valve with 4-way integral pilot.
2. 10 mm valve (stacks on 16.5 mm centers).
3. High flow (up to 1200 NI/min).
4. Fast, repeatable response times.
5. Maximum shifting forces in both directions.



HOW TO ORDER

Port size	Pilot air	NO valve	NC valve	Universal valve
Valve less base	Internal	38B-BMA-000-Gxxx-xxx	38B-AMA-000-Gxxx-xxx	
	External	38B-BMB-000-Gxxx-xxx	38B-AMB-000-Gxxx-xxx	38B-GMB-000-Gxxx-xxx
G1/8"	Internal	38B-BMA-BAL-Gxxx-xxx	38B-AMA-BAL-Gxxx-xxx	
	External	38B-BMB-BAM-Gxxx-xxx	38B-AMB-BAM-Gxxx-xxx	38B-GMB-BAM-Gxxx-xxx

Note : Above codes are for side port.

STANDARD SOLENOID OPERATOR >

G **XXX-XXX***

XX Voltage	X Wire length	X Manual operator	XX Electrical connection
AA 120 V~/2,5W	A 45 cm	1 Non-locking	BA Flying leads
DA 24 V~/1,0W	B 60 cm	2 Locking	BT Flying leads with light
DC 24 V~/1,8W	C 90 cm		GA MAC JAC Solenoid plug-in
DD 24 V~/2,5W			GB MAC JAC Solenoid plug-in with diode
DF 24 V~/4,0W			GC MAC JAC Solenoid plug-in with MOV
			GD MAC JAC Solenoid plug-in with LED
			GE MAC JAC Solenoid plug-in with diode and LED
			GF MAC JAC Solenoid plug-in with MOV and LED
			GG MAC JAC Solenoid plug-in with rectifier
			GH MAC JAC Solenoid plug-in with rectifier and LED
			KA Mini connector
			KD Mini connector with rectifier light and ground
			KT Mini connector with light

Note : AC voltage requires connector with rectifier.

* Other options available, see page 387.

Washdown capability is possible for the "G" type electrical connector. Consult factory for ordering information.

Latching solenoid also available, see page 63.

OPTIONS

Pilot/Base Configuration :

38B-xMx-xAx-Gxxx-xxx

- A Individual base – Side port
- B Individual base – Bottom port
- M Pilot exhaust muffled
- R Pilot exhaust piped M5
- U Pilot exhaust to main exhaust

31

33

34

36

32

37

38

52

53

54

67

68

69

41

43

44

23

24

46

42

47

48P

48

400

92

83

93

ISO 01

ISO 02

ISO 1

ISO 2

ISO 3

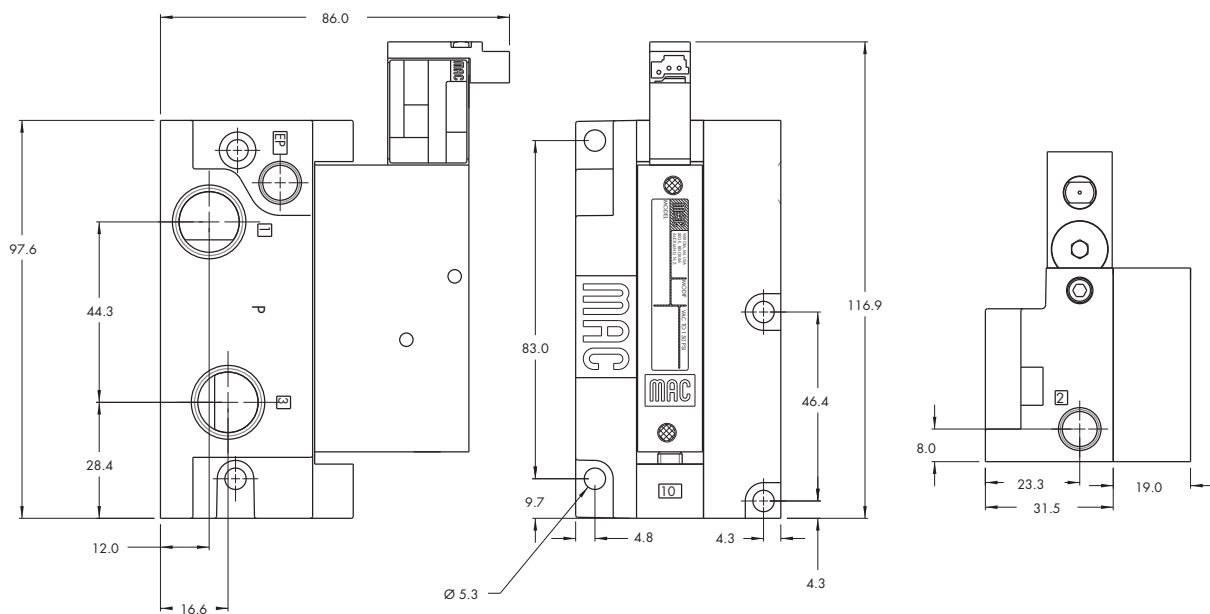
TECHNICAL DATA

Fluid :	Compressed air, vacuum, inert gases
Pressure range :	Internal Pilot : 1,3 to 8 bar External Pilot : Vacuum to 8 bar
Pilot pressure :	1,3 to 8 bar
Lubrication :	Not required, if used select a medium aniline point lubricant (between 80°C and 100°C)
Filtration :	40 µ
Temperature range :	-18°C to +50°C
Orifice :	6,0 mm
Flow (at 6 bar, ΔP=1 bar) :	G1/8" bottom port: 1200 NI/min (Cv 1,2) - G1/8" side port: 1000 NI/min (Cv 1,0)
Coil :	Epoxy encapsulated – 100% ED – Class A wire
Voltage range :	-15% to +10% of nominal voltage
Protection :	IP54 (electrical connection)
Power :	1.0 to 4.0 W
Response times : (with 4 W coil)	Energize : 6 ms De-energize : 6 ms

Options : • NPTF threads

DIMENSIONS

Dimensions shown are metric (mm)





Direct solenoid and solenoid pilot operated valves

Function	Port size	Flow [Max]	Individual mounting	Series
3/2 NO-NC	G1/8"	1200 NI/min	Sub-base "plug-in"	

OPERATIONAL BENEFITS

1. 3-way valve with 4-way integral pilot.
2. 10 mm valve (stacks on 16.5 mm centers).
3. High flow (up to 1200 NI/min).
4. Fast, repeatable response times.
5. Maximum shifting forces in both directions.



HOW TO ORDER

Port size	Pilot air	NO valve	NC valve	Universal valve
Valve less base	Internal	38B-BMA-000-GxxP-xxx	38B-AMA-000-GxxP-xxx	
	External	38B-BMB-000-GxxP-xxx	38B-AMB-000-GxxP-xxx	38B-GMB-000-GxxP-xxx
G1/8"	Internal	38B-BMA-BAA-GxxP-xxx	38B-AMA-BAA-GxxP-xxx	
	External	38B-BMB-BAB-GxxP-xxx	38B-AMB-BAB-GxxP-xxx	38B-GMB-BAB-GxxP-xxx

Note : Above codes are for side port.

STANDARD SOLENOID OPERATOR >

G **XX** P-**XXX***

XX Voltage	X Manual operator	XX Electrical connection
AA 120 V~/2,5W	1 Non-locking	SA Base plug-in
DA 24 V~/1,0W	2 Locking	SJ Base plug-in with light
DC 24 V~/1,8W		SS Base plug-in with rectifier & light & ground
DD 24 V~/2,5W		
DF 24 V~/4,0W		

Note : AC voltage requires connector with rectifier.

* Other options available, see page 387.

Washdown capability is possible for the "G" type electrical connector. Consult factory for ordering information. Latching solenoid also available, see page 65.

OPTIONS

Pilot/Base Configuration :

38B-xMx-xAx-GxxP-xxx

- A** Individual base – Side port
- B** Individual base – Bottom port
- M** Pilot exhaust muffled
- R** Pilot exhaust piped M5
- U** Pilot exhaust to main exhaust

- 31
- 33
- 34
- 36
- 32
- 37
- 38**
- 52
- 53
- 54
- 67
- 68
- 69
- 41
- 43
- 44
- 23
- 24
- 46
- 42
- 47
- 48P
- 48
- 400
- 92
- 83
- 93
- ISO 01
- ISO 02
- ISO 1
- ISO 2
- ISO 3

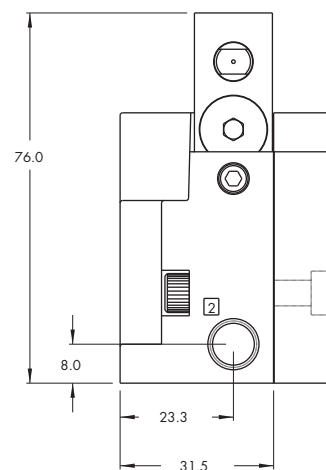
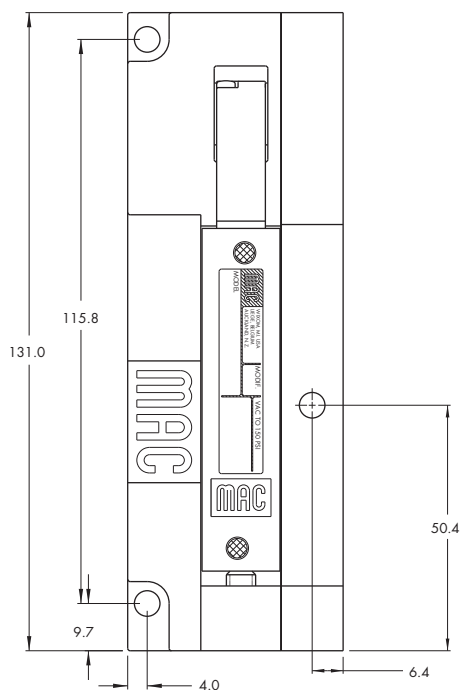
TECHNICAL DATA

Fluid :	Compressed air, vacuum, inert gases
Pressure range :	Internal Pilot : 1,3 to 8 bar External Pilot : Vacuum to 8 bar
Pilot pressure :	1,3 to 8 bar
Lubrication :	Not required, if used select a medium aniline point lubricant (between 80°C and 100°C)
Filtration :	40 µ
Temperature range :	-18°C to +50°C
Orifice :	6,0 mm
Flow (at 6 bar, ΔP=1bar) :	G1/8" bottom port: 1200 NI/min (Cv 1,2) - G1/8" side port : 1000 NI/min (Cv 1,0)
Coil :	Epoxy encapsulated – 100% ED – Class A wire
Voltage range :	-15% to +10% of nominal voltage
Protection :	IP54 (electrical connection)
Power :	1.0 to 4.0 W
Response times : (with 4 W coil)	Energize : 6 ms De-energize : 6 ms

Options : • NPTF threads

DIMENSIONS

Dimensions shown are metric (mm)





Direct solenoid and solenoid pilot operated valves

Function	Port size	Flow [Max]	Manifold mounting	Series
3/2 NO-NC	G1/8"	1200 NI/min	Manifold base "plug-in"	

OPERATIONAL BENEFITS

1. 3-way valve with 4-way integral pilot.
2. 10 mm valve (stacks on 16.5 mm centers).
3. High flow (up to 1200 NI/min).
4. Fast, repeatable response times.
5. Maximum shifting forces in both directions.



HOW TO ORDER

Port size	Pilot air	NO valve	NC valve	Universal valve
Valve less base	Internal	38B-BMA-000-GxxP-xxx	38B-AMA-000-GxxP-xxx	
	External	38B-BMB-000-GxxP-xxx	38B-AMB-000-GxxP-xxx	38B-GMB-000-GxxP-xxx
G1/8"	Internal	38B-BMA-BJA-GxxP-xxx	38B-AMA-BJA-GxxP-xxx	
	External	38B-BMB-BJB-GxxP-xxx	38B-AMB-BJB-GxxP-xxx	38B-GMB-BJB-GxxP-xxx

Note : Above codes are for side port.

STANDARD SOLENOID OPERATOR >

G **XX** P-**XXX***

Voltage		Manual operator		Electrical connection	
AA	120 V~/2,5W	1	Non-locking	SA	Base plug-in
DA	24 V~/1,0W	2	Locking	SJ	Base plug-in with light
DC	24 V=/1,8W			SS	Base plug-in with rectifier & light & ground
DD	24 V=/2,5W				
DF	24 V=/4,0W				

Note : AC voltage requires connector with rectifier.

* Other options available, see page 387.

Washdown capability is possible for the "G" type electrical connector. Consult factory for ordering information.

Latching solenoid also available, see page 65.

OPTIONS

Base only :

38B-000-xxx (i.e. 38A-000-BJA)

Base Configuration :

38B-xxx-Jx-GxxP-xxx

- J Manifold base - Side port
- K Manifold base - Bottom port
- L Left end manifold base - Side port
- M Left end manifold base - Bottom port
- N Right end manifold base - Side port
- P Right end manifold base - Bottom port

Note : Manifold assemblies consist of (1) left end manifold, (1) right end manifold and middle station manifolds (options "J" or "K").

31
33
34
36
32
37
38
52
53
54
67
68
69
41
43
44
23
24
46
42
47
48P
48
400
92
83
93
ISO 01
ISO 02
ISO 1
ISO 2
ISO 3



100%
OF
PRODUCTION
TESTED
100%

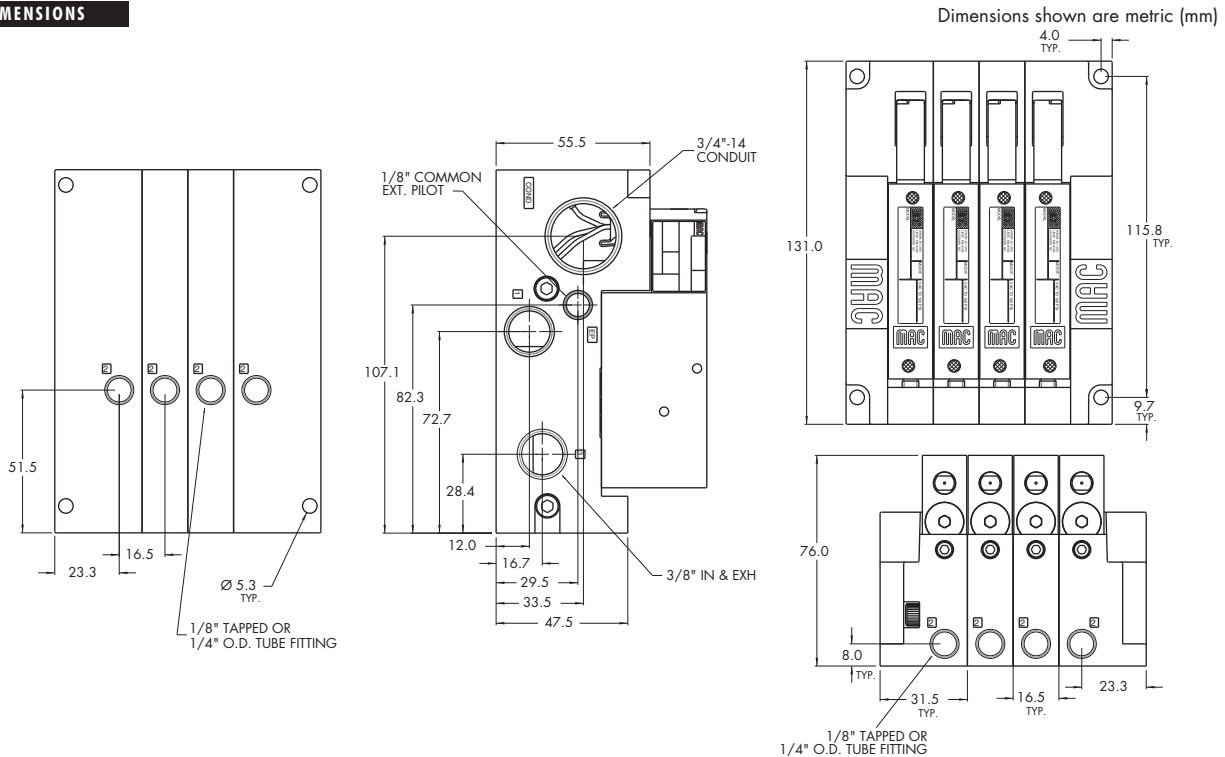
WARRANTY
18
MONTHS

TECHNICAL DATA

Fluid :	Compressed air, vacuum, inert gases
Pressure range :	Internal Pilot : 1,3 to 8 bar External Pilot : Vacuum to 8 bar
Pilot pressure :	1,3 to 8 bar
Lubrication :	Not required, if used select a medium aniline point lubricant (between 80°C and 100°C)
Filtration :	40 µ
Temperature range :	-18°C to +50°C
Orifice :	6,0 mm
Flow (at 6 bar, ΔP=1 bar) :	G1/8" bottom port : 1200 NI/min (Cv 1,2) - G1/8" side port : 1000 NI/min (Cv 1,0)
Coil :	Epoxy encapsulated – 100% ED – Class A wire
Voltage range :	-15% to +10% of nominal voltage
Protection :	IP54 (electrical connection)
Power :	1.0 to 4.0 W
Response times : (with 4 W coil)	Energize : 6 ms De-energize : 6 ms

Options : • NPTF threads

DIMENSIONS





Direct solenoid and solenoid pilot operated valves

Function	Port size	Flow [Max]	Individual/Manifold mounting	Series
3/2 NO-NC	G1/8"	1200 NI/min	Subbase/ manifold base non "plug-in" with latching solenoid	

OPERATIONAL BENEFITS

1. 3-way valve with 4-way integral pilot.
2. 10 mm valve (stacks on 16.5 mm centers).
3. High flow (up to 1200 NI/min).
4. Fast, repeatable response times.
5. Maximum shifting forces in both directions.



HOW TO ORDER

Port size	Pilot air	NO valve	NC valve	Universal valve
Valve less base	Internal	38B-BMA-000-Lxxx-xxx	38B-AMA-000-Lxxx-xxx	
	External	38B-BMB-000-Lxxx-xxx	38B-AMB-000-Lxxx-xxx	38B-GMB-000-Lxxx-xxx
G1/8"	Internal	38B-BMA-BAL-Lxxx-xxx	38B-AMA-BAL-Lxxx-xxx	
	External	38B-BMB-BAM-Lxxx-xxx	38B-AMB-BAM-Lxxx-xxx	38B-GMB-BAM-Lxxx-xxx

Note : Above codes are for individual base and side port.

LATCHING SOLENOID OPERATOR >

L XXX-XXX *		L XXX-XXX *		L XXX-XXX *	
XX Voltage	X Wire length	X Manual operator	XX Electrical connection**		
DF 24 V=/4,0W	A 45 cm	0 No operator	BA 2 Wire Flying leads		
HA 24 V=/1,95W	B 60 cm		BJ 4 Wire Flying leads		
	C 90 cm		KA 2 Wire Plug-in Assembly		
			KE 4 Wire Plug-in Assembly		
			LA 3 Wire plug-in assembly (Polarity Switching Cover)		

* Other options available, see page 395.

** Latching 38 series with non plug-in base configuration must use "B", "K" or "L" type electrical connector.

OPTIONS

Pilot/Base Configuration :

38B-xMx-xAx-Lxxx-xxx	A Individual base – Side port
	B Individual base – Bottom port
	J Manifold base – Side port
	K Manifold base – Bottom port
	M Pilot exhaust muffled
	R Pilot exhaust piped M5
	U Pilot exhaust to main exhaust

Note : Manifold assemblies require an end plate kit :
M-38003-01-01P (internal pilot)
M-38003-02-01P (external pilot)

31
33
34
36
32
37
38
52
53
54
67
68
69
41
43
44
23
24
46
42
47
48P
48
400
92
83
93
ISO 01
ISO 02
ISO 1
ISO 2
ISO 3



100%
OF
PRODUCTION
TESTED
100%

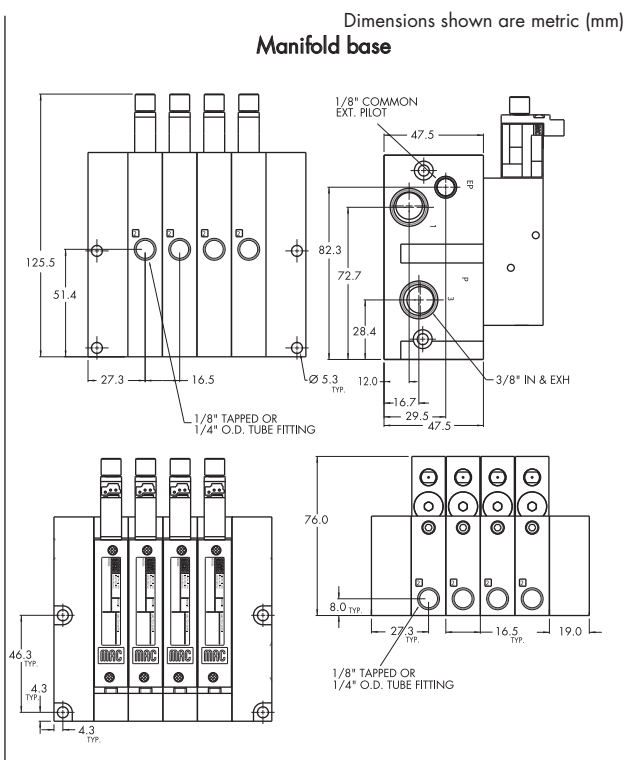
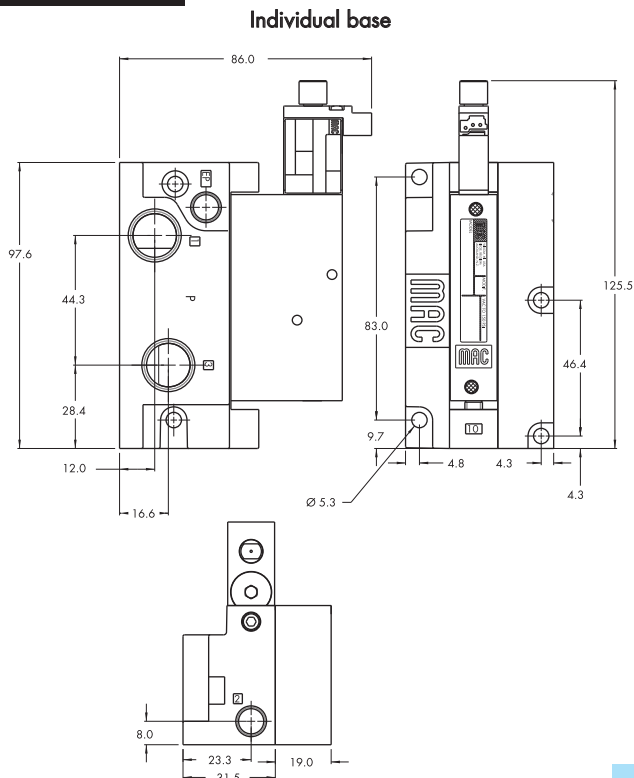
WARRANTY
18
MONTHS

TECHNICAL DATA

Fluid :	Compressed air, vacuum, inert gases
Pressure range :	Internal Pilot : 1,3 to 8 bar External Pilot : Vacuum to 8 bar
Pilot pressure :	1,3 to 8 bar
Lubrication :	Not required, if used select a medium aniline point lubricant (between 80°C and 100°C)
Filtration :	40 µ
Temperature range :	-18°C to +50°C
Orifice :	6,0 mm
Flow (at 6 bar, ΔP=1 bar) :	G1/8" bottom port : 1200 NI/min (Cv 1,2) - G1/8" side port : 1000 NI/min (Cv 1,0)
Coil :	Epoxy encapsulated – 100% ED – Class A wire
Voltage range :	-15% to +10% of nominal voltage
Protection :	IP54 (electrical connection)
Power :	1.95 to 4.0 W
Response times : (with 4 W coil)	Energize : 6 ms De-energize : 6 ms

Options : • NPTF threads

DIMENSIONS



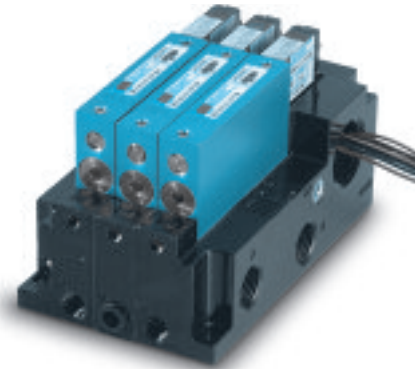


Direct solenoid and solenoid pilot operated valves

Function	Port size	Flow [Max]	Individual/Manifold mounting	Series
3/2 NO-NC	G1/8"	1200 NI/min	Sub-base/ manifold base *plug-in with latching solenoid	

OPERATIONAL BENEFITS

1. 3-way valve with 4-way integral pilot.
2. 10 mm valve (stacks on 16.5 mm centers).
3. High flow (up to 1200 NI/min).
4. Fast, repeatable response times.
5. Maximum shifting forces in both directions.



HOW TO ORDER

Port size	Pilot air	NO valve	NC valve	Universal valve
Valve less base	Internal	38B-BMA-000-LxxP-xxx	38B-AMA-000-LxxP-xxx	
	External	38B-BMB-000-LxxP-xxx	38B-AMB-000-LxxP-xxx	38B-GMB-000-LxxP-xxx
G1/8"	Internal	38B-BMA-BAA-LxxP-xxx	38B-AMA-BAA-LxxP-xxx	
	External	38B-BMB-BAB-LxxP-xxx	38B-AMB-BAB-LxxP-xxx	38B-GMB-BAB-LxxP-xxx

Note : Above codes are for individual base and side port.

LATCHING SOLENOID OPERATOR >

L **XX** P-**XXX***

XX Voltage	X Manual operator	XX Electrical connection**
DF 24 V=/4,0W	0 No operator	DA Base/Manifold Plug-in
HA 24 V=/1,95W		DB Base/Manifold Plug-in w/ Ground
		DC Base/Manifold Plug-in w/ Led
		DD Base/Manifold Plug-in w/ Led and Ground
		EA Base/Manifold Plug-in 3 Pin (Polarity Switching Cover)

* Other options available, see page 395.
 ** 2 and 4 wire bases must use "D" type electrical connector.
 3 wire bases must use "EA" type electrical connector.

OPTIONS

Manifold/Base Configuration :

38B-xxx-x**A**x-LxxP-xxx

- A** Individual base - Side port
- B** Individual base - Bottom port
- J** Manifold base - Side port
- K** Manifold base - Bottom port
- L** Left end manifold base - Side port
- M** Left end manifold base - Bottom port
- N** Right end manifold base - Side port
- P** Right end manifold base - Bottom port

Manifold/Base Int./Ext. Pilot : (Wire options)

38B-xxx-xx**A**-LxxP-xxx

- A** Plug-In Int. Pilot (2 Wire)**
- B** Plug-In Ext. Pilot (2 Wire)**
- C** Plug-In Int. Pilot (3 Wire)**
- D** Plug-In Ext. Pilot (3 Wire)**
- E** Plug-In Int. Pilot (4 Wire)**
- F** Plug-In Ext. Pilot (4 Wire)**

Note : Manifold assemblies consist of (1) left end manifold, (1) right end manifold, and middle station manifolds (option J or K).

31
33
34
36
32
37
38
52
53
54
67
68
69
41
43
44
23
24
46
42
47
48P
48
400
92
83
93
ISO 01
ISO 02
ISO 1
ISO 2
ISO 3



100%
OF
PRODUCTION
TESTED
100%

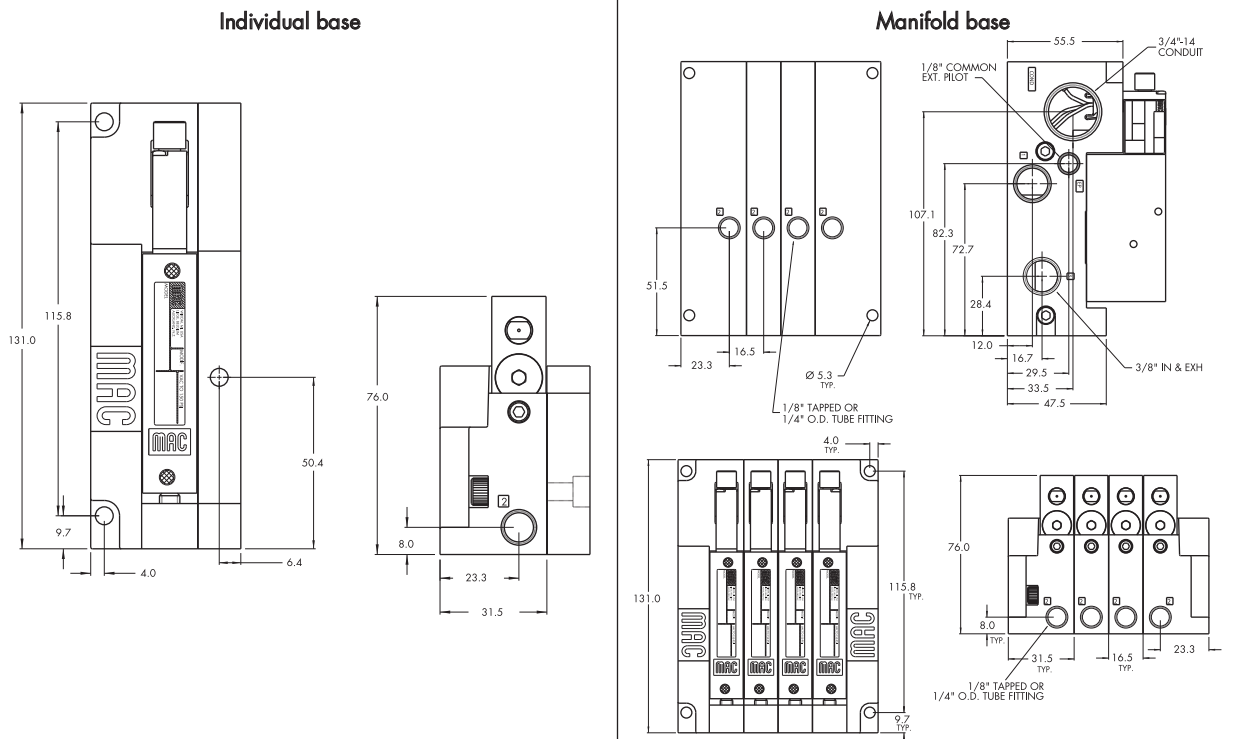
WARRANTY
18
MONTHS

TECHNICAL DATA

Fluid :	Compressed air, vacuum, inert gases
Pressure range :	Internal Pilot : 1,3 to 8 bar External Pilot : Vacuum to 8 bar
Pilot pressure :	1,3 to 8 bar
Lubrication :	Not required, if used select a medium aniline point lubricant (between 80°C and 100°C)
Filtration :	40 µ
Temperature range :	-18°C to +50°C
Orifice :	6,0 mm
Flow (at 6 bar, ΔP=1 bar) :	G1/8" bottom port: 1200 NI/min (Cv 1,2) - G1/8" side port: 1000 NI/min (Cv 1,0)
Coil :	Epoxy encapsulated – 100% ED – Class A wire
Voltage range :	-15% to +10% of nominal voltage
Protection :	IP54 (electrical connection)
Power :	1.95 to 4.0 W
Response times : (with 4 W coil)	Energize : 6 ms De-energize : 6 ms

Options : • NPTF threads

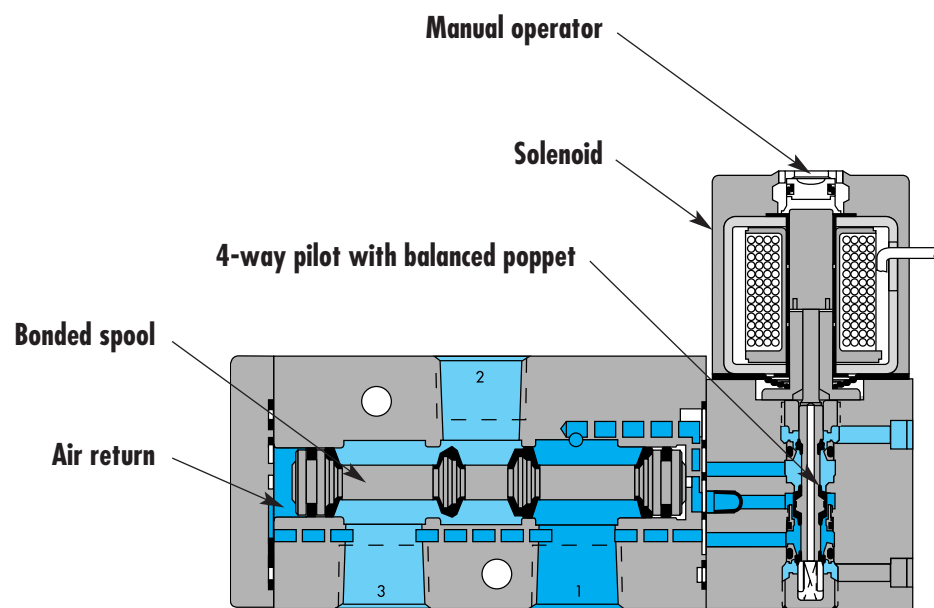
DIMENSIONS



Individual mounting

Series

Inline

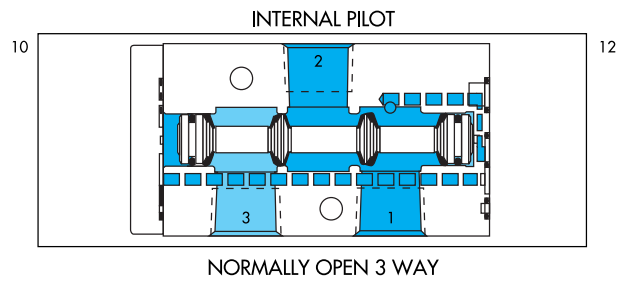
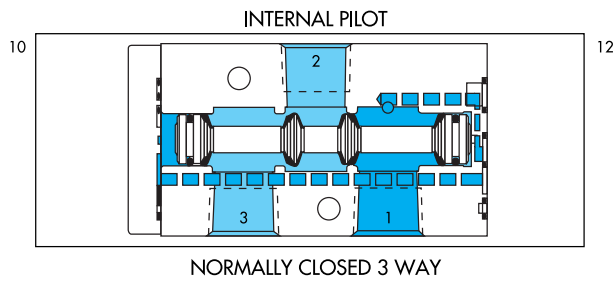


SERIES FEATURES

- Patented MACSOLENOID® for fastest possible response times and virtually burn-out proof AC solenoid operation.
- Optional low watt DC solenoids.
- Various manual operators.
- Optional memory spring.
- Normally closed or normally open valve function.
- May be plugged for 2-way operation.
- Internal or external pilot.

31
33
34
36
32
37
38
52
53
54
67
68
69
41
43
44
23
24
46
42
47
48P
48
400
92
83
93
ISO 01
ISO 02
ISO 1
ISO 2
ISO 3

SPOOL CONFIGURATIONS





Direct solenoid and solenoid pilot operated valves

Function	Port size	Flow [Max]	Individual mounting	Series
3/2 NO-NC, 2/2 NO-NC	G1/8" - G1/4"	1500 NI/min	Inline	

OPERATIONAL BENEFITS

1. The 4-way pilot develops maximum shifting force both ways.
2. Memory spring available.
3. Balanced spool, immune to variations of pressure, also provides high flow.
4. Short stroke with high flow.
5. Bonded spool with minimum friction, shifting in a glass-like finished bore.
6. Pilot with balanced poppet, high flow, short and consistent response times.
7. Wiping effect eliminates sticking.
8. Long service life.



HOW TO ORDER

Port size	Pilot air	Single Operator		Double Operator	
		NO Valve	NC Valve	NO Valve	NC Valve
G1/8"	Internal	52A-31-C0A-XX-X-xxx-xxx	52A-11-C0A-XX-X-xxx-xxx	52A-41-C0A-XX-X-xxx-xxx	52A-21-C0A-XX-X-xxx-xxx
G1/4"	Internal	52A-31-D0A-XX-X-xxx-xxx	52A-11-D0A-XX-X-xxx-xxx	52A-41-D0A-XX-X-xxx-xxx	52A-21-D0A-XX-X-xxx-xxx
G1/8"	External	52A-31-C0B-XX-X-xxx-xxx	52A-11-C0B-XX-X-xxx-xxx	52A-41-C0B-XX-X-xxx-xxx	52A-21-C0B-XX-X-xxx-xxx
G1/4"	External	52A-31-D0B-XX-X-xxx-xxx	52A-11-D0B-XX-X-xxx-xxx	52A-41-D0B-XX-X-xxx-xxx	52A-21-D0B-XX-X-xxx-xxx

SOLENOID OPERATOR >

DM-D XXX-XXX*

XX Voltage	X Wire length	X Manual operator	XX Electrical connection
JA 110 V~/50Hz	A 45 cm (Flying leads)	1 Non-locking	KA Square connector
JB 220 V~/50Hz	B 60 cm (Flying leads)	2 Locking	KD Square connector with light
JC 24 V~/50Hz	J Connector		JB Rectangular connector
FB 24 V~/1,8W			JD Rectangular connector with light
DA 24 V~/5,4W			BA Flying leads
DF 24 V~/12,7W			

SOLENOID OPERATOR >

GM-G XXX-XXX**

XX Voltage	X Wire length	X Manual operator	XX Electrical connection
DC 24 V~/1,8W	A 45 cm	1 Non-locking	BA Flying leads
DD 24 V~/2,5W	B 60 cm	2 Locking	BT Flying leads with light
DF 24 V~/4W	C 90 cm		KA Mini connector
			KT Mini connector with light

* Other options available, see page 385.

** Other options available, see page 389.

OPTIONS

52A-31-C0A-XX-X-xxx-xxx

For memory spring, replace by 4 (single solenoid only)

31

33

34

36

32

37

38

52

53

54

67

68

69

41

43

44

23

24

46

42

47

48P

48

400

92

83

93

ISO 01

ISO 02

ISO 1

ISO 2

ISO 3



100%
OF
PRODUCTION
TESTED
100%

WARRANTY
18
MONTHS

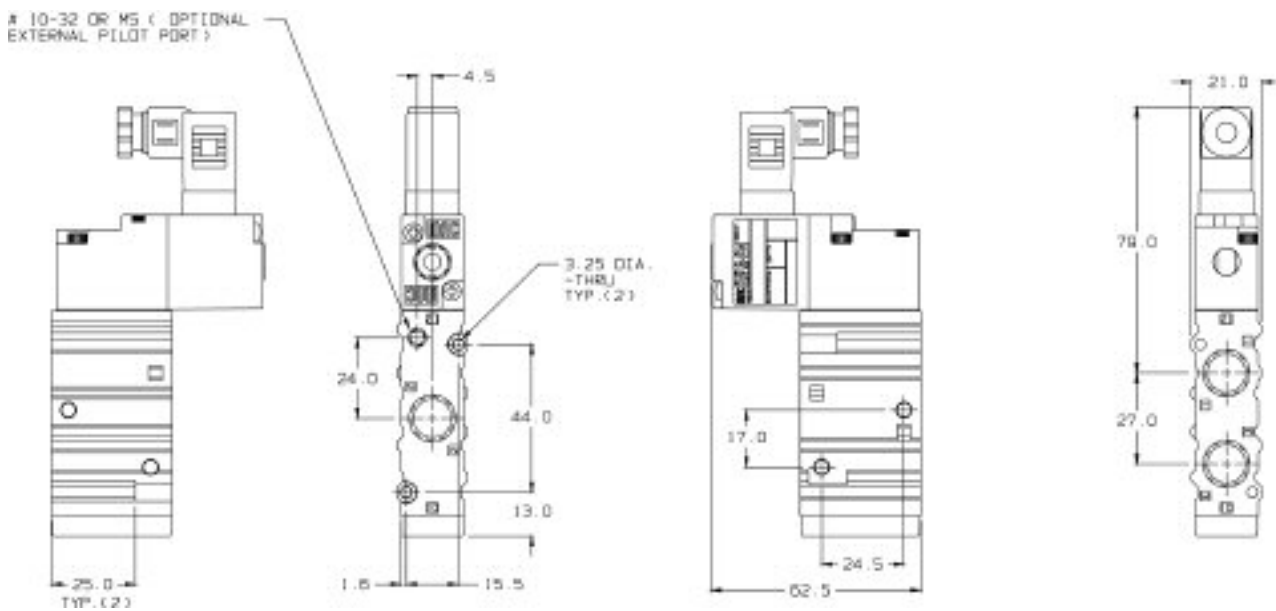
TECHNICAL DATA

Fluid :	Compressed air, vacuum, inert gases
Pressure range :	Internal Pilot : 1,3 to 8 bar External Pilot : Vacuum to 8 bar
Lubrication :	Not required, if used select a medium aniline point lubricant (between 80°C and 100°C)
Filtration :	40 µ
Temperature range :	-18°C to +50°C
Orifice :	7,3 mm
Flow (at 6 bar, ΔP=1bar) :	G1/8" : 1200 NI/min (Cv 1,2) – G1/4" : 1500 NI/min (Cv 1,5)
Coil :	Epoxy encapsulated – class A wires – 100% ED (specify mod 0449)
Voltage range :	-15% to +10% of nominal voltage
Protection :	IP54 (GM pilot) – IP64 (DM pilot) (electrical connection)
Power :	~Inrush: 10,9 VA Holding: 7,7 VA = 1,8 to 12,7 W
Response times :	24V~/5,4W Energize: 7,3 ms De-energize: 5,3 ms 110V~/50Hz Energize: 8-12 ms De-energize: 7-11 ms

Options : • NPTF threads

DIMENSIONS

Dimensions shown are metric (mm)

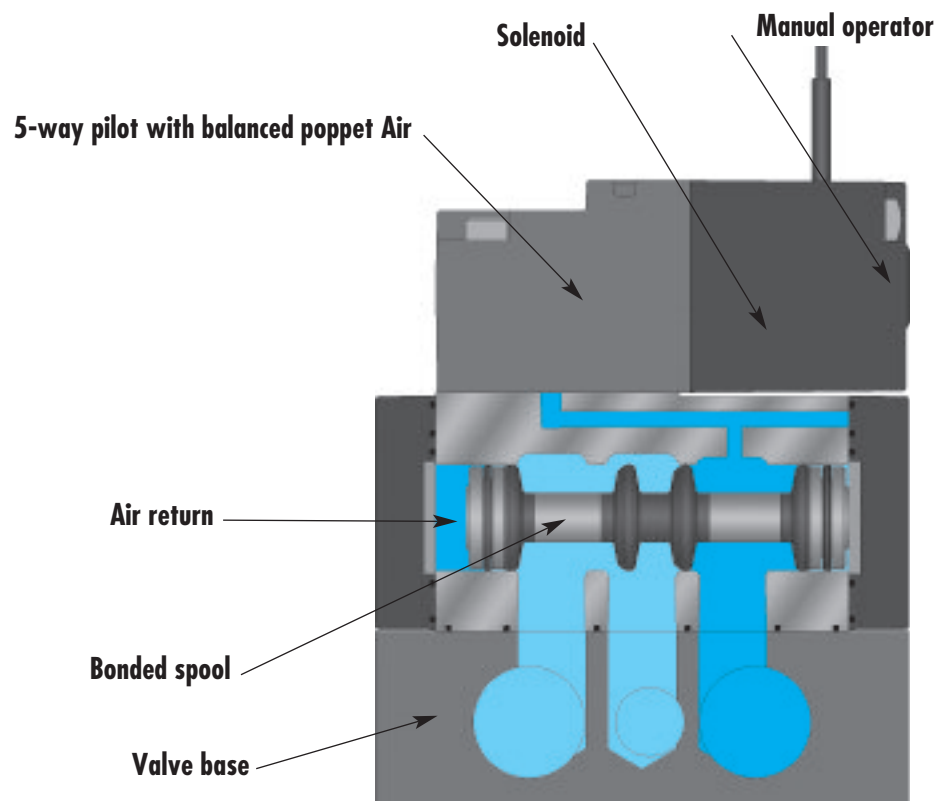


Direct solenoid and solenoid pilot operated valves 8 mm valve

Individual mounting

Inline

Series



SERIES FEATURES

- The 4-way pilot develops maximum shifting force both ways
- Memory spring available
- Balanced spool, immune to variations of pressure
- Short stroke with high flow
- Bonded spool with minimum friction, shifting in a glass-like finished bore.
- Pilot with balanced poppet, high flow, short and consistent response times.
- Wiping effect eliminates sticking
- Long life service.

31
33
34
36
32
37
38
52
53
54
67
68
69
41
43
44
23
24
46
42
47
48P
48
400
92
83
93
ISO 01
ISO 02
ISO 1
ISO 2
ISO 3

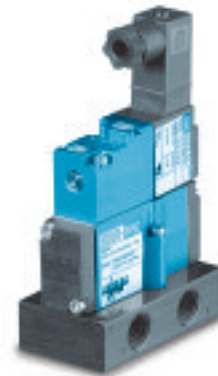


Direct solenoid and solenoid pilot operated valves

Function	Port size	Flow [Max]	Individual mounting	Series
3/2 NO-NC	G1/4" - G3/8"	2000 NI/min	Inline	

OPERATIONAL BENEFITS

1. The 4-way pilot develops maximum shifting forces both ways
2. Memory spring available
3. Balanced spool, immune to variations of pressure, also provides high flow
4. Short stroke with high flow
5. Bonded spool with minimum friction, shifting in a glass-like finished bore
6. Pilot with balanced poppet, high flow, short and consistent response times.
7. Wiping effect eliminates sticking
8. Long service life



HOW TO ORDER

Port size	Pilot air	NC Valve	NO Valve
G1/4"	Internal	53A-1AC-XX-X-XXX-XXX	53A-2AC-XX-X-XXX-XXX
G3/8"	Internal	53A-1AD-XX-X-XXX-XXX	53A-2AD-XX-X-XXX-XXX
G1/4"	External from 10 end	53A-1BC-XX-X-XXX-XXX	53A-2BC-XX-X-XXX-XXX
	External from 12 end	53A-1CC-XX-X-XXX-XXX	53A-2CC-XX-X-XXX-XXX
G3/8"	External from 10 end	53A-1BD-XX-X-XXX-XXX	53A-2BD-XX-X-XXX-XXX
	External from 12 end	53A-1CD-XX-X-XXX-XXX	53A-2CD-XX-X-XXX-XXX

SOLENOID OPERATOR >

DM-D XXX-XXX *

XX Voltage	X Wire length	X Manual operator	XX Electrical connection
JA 110 V~/50Hz	A 45 cm	1 Non-locking	BA Flying leads
JB 220 V~/50Hz	B 60 cm	2 Locking	KA Mini square connector
JC 24 V~/50Hz	J* 15 cm		KD Mini square connector with light
FB 24 V=/1,8W	*For use with "J" & "K" type connectors		JB Rectangular connector
DA 24 V=/5,4W			JD Rectangular connector with light
DF 24 V=/12,7W			

SOLENOID OPERATOR >

GM-G XXX-XXX**

XX Voltage	X Wire length	X Manual operator	XX Electrical connection
DC 24 V=/1,8W	A 45 cm	1 Non-locking	BA Flying leads
DD 24 V=/2,5W	B 60 cm	2 Locking	BT Flying leads with light
DF 24 V=/4W	C 90 cm		KA Mini connector
			KT Mini connector with light
			GA MAC JAC solenoid plug-in wire assembly

* Other options available, see page 385.
 ** Other options available, see page 389.

OPTIONS

53A-X-AC-xx-xxxx-xxx
 For Memory spring
 Replace by 5 (Normally closed)
 Replace by 6 (Normally open)

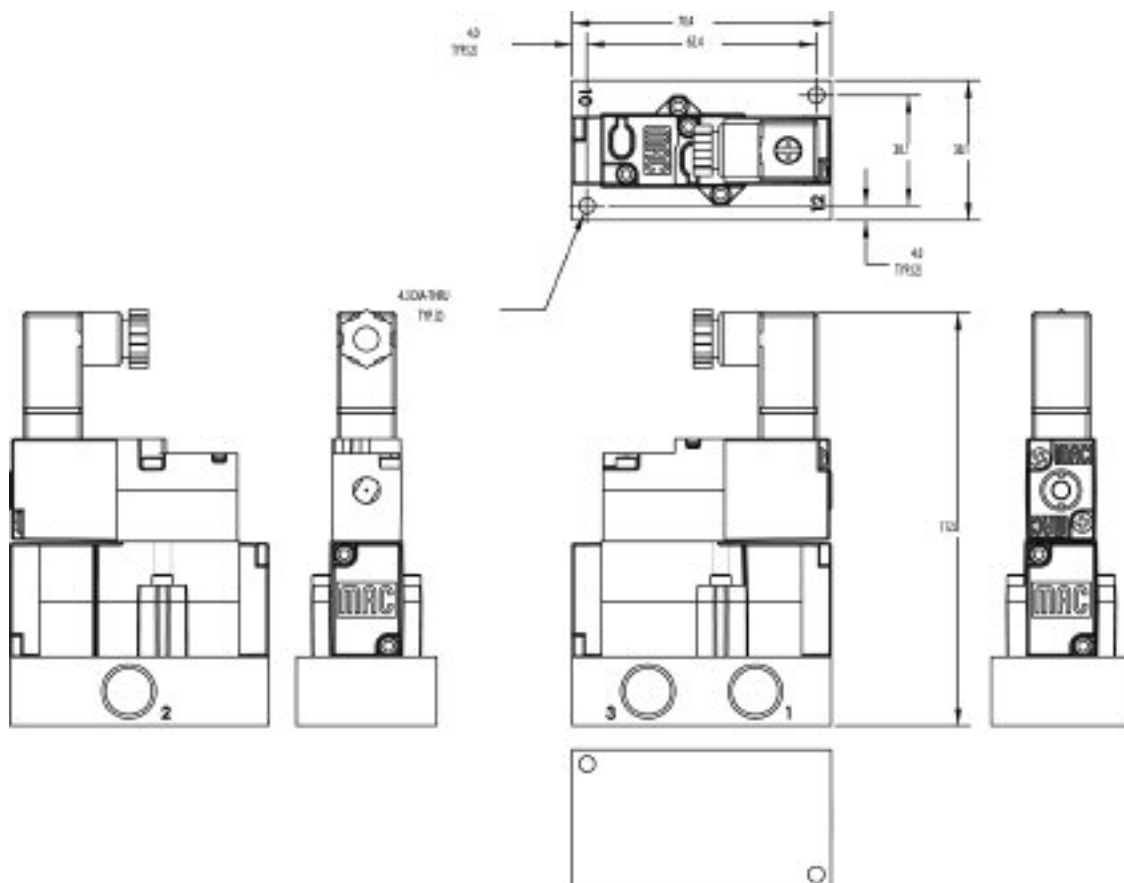
31
33
34
36
32
37
38
52
53
54
67
68
69
41
43
44
23
24
46
42
47
48P
48
400
92
83
93
ISO 01
ISO 02
ISO 1
ISO 2
ISO 3

TECHNICAL DATA

Fluid :	Compressed air, vacuum, inert gases
Pressure range :	Internal Pilot : 1,3 to 8 bar External Pilot : Vacuum to 8 bar
Lubrication :	Not required, if used select a medium aniline point lubricant (between 80°C and 100°C)
Filtration :	40 µ
Temperature range :	-18°C to +50°C
Orifice :	8,5 mm
Flow :	G1/4" : 1700 Nl/min (Cv 1.7) – G3/8" : 2000 Nl/min (Cv 2.0)
Coil :	Epoxy encapsulated - Class A wires – 100% ED
Voltage range :	-15% to +10% of nominal voltage
Protection :	Consult factory
Power :	1,0 to 5,4W (Higher wattages available)
Options :	• NPTF threads

DIMENSIONS

Dimensions shown are metric (mm)

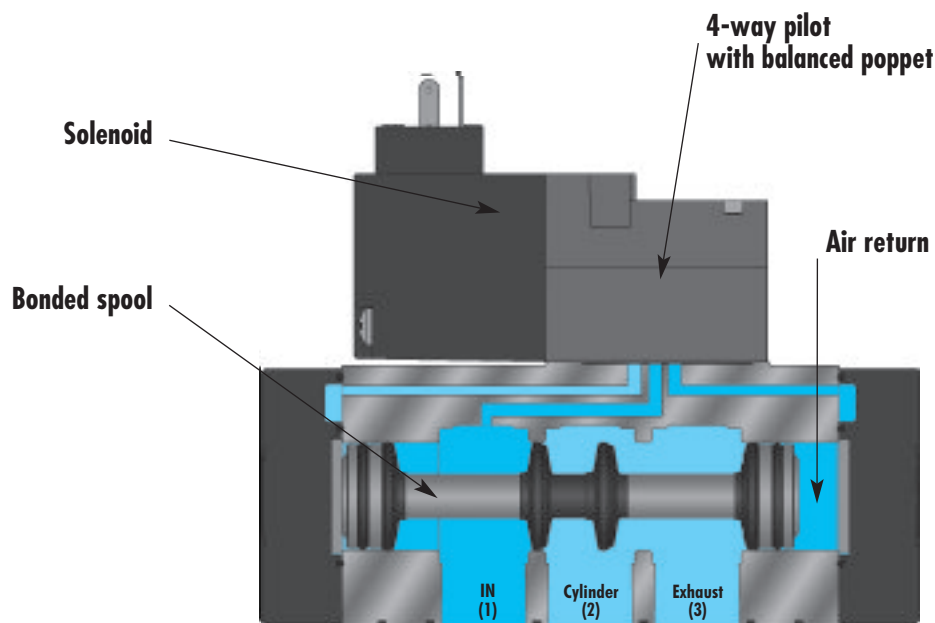


Direct solenoid and solenoid pilot operated valves 8 mm valve

Individual mounting

Series

Subbase Non plug-in	Sub-base Plug-in
------------------------	---------------------



SERIES FEATURES

- Patented MACSOLENOID® for fastest possible response times and virtually burn-out proof AC solenoid operation.
- Optional low watt DC solenoids.
- Various manual operators.
- Normally closed or normally open valve function.
- May be plugged for 2-way operation.
- Internal or external pilot.

31
33
34
36
32
37
38
52
53
54
67
68
69
41
43
44
23
24
46
42
47
48P
48
400
92
83
93
ISO 01
ISO 02
ISO 1
ISO 2
ISO 3



Direct solenoid and solenoid pilot operated valves

Function	Port size	Flow [Max]	Individual mounting	Series
3/2 NO-NC	G3/8" - G1/2" - G3/4"	5100 NI/min	Subbase Non plugin	

OPERATIONAL BENEFITS

1. The 4-way pilot develops maximum shifting forces both ways
2. Balanced spool, immune to variations of pressure, also provides high flow
3. Short stroke with high flow
4. Bonded spool with minimum friction, shifting in a glass-like finished bore
5. Pilot with balanced poppet, high flow, short and consistent response times.
6. Wiping effect eliminates sticking
7. Long service life

HOW TO ORDER



Port size	Pilot air	NC Valve	NO Valve
Valve less base	Internal	54A-AA-000-DM-xxxx-xxx	54A-BA-000-DM-xxxx-xxx
	External from 10 end	54A-AC-000-DM-xxxx-xxx	54A-BC-000-DM-xxxx-xxx
	External from 12 end	54A-AB-000-DM-xxxx-xxx	54A-BB-000-DM-xxxx-xxx
G3/8"	Internal	54A-AA-D1A-DM-xxxx-xxx	54A-BA-D1A-DM-xxxx-xxx
	External from 10 end	54A-AC-D1A-DM-xxxx-xxx	54A-BC-D1A-DM-xxxx-xxx
	External from 12 end	54A-AB-D1A-DM-xxxx-xxx	54A-BB-D1A-DM-xxxx-xxx
G1/2"	Internal	54A-AA-E1A-DM-xxxx-xxx	54A-BA-E1A-DM-xxxx-xxx
	External from 10 end	54A-AC-E1A-DM-xxxx-xxx	54A-BC-E1A-DM-xxxx-xxx
	External from 12 end	54A-AB-E1A-DM-xxxx-xxx	54A-BB-E1A-DM-xxxx-xxx
G3/4"	Internal	54A-AA-F1A-DM-xxxx-xxx	54A-BA-F1A-DM-xxxx-xxx
	External from 10 end	54A-AC-F1A-DM-xxxx-xxx	54A-BC-F1A-DM-xxxx-xxx
	External from 12 end	54A-AB-F1A-DM-xxxx-xxx	54A-BB-F1A-DM-xxxx-xxx

SOLENOID OPERATOR ►

DM-D XXX-XXX*

XX	Pilot type	XX	Voltage	X	Lead wire length	X	Manual operator	XX	Electrical connection
DM	Muffled exhaust	DA	24V~/5,4W	A	45 cm	0	No operator	BA	Flying leads
DP	Piped exhaust	DF	24V~/12,7W	B	60 cm	1	Non locking	JB	Rectangular connector
DU	Universal pilot - Pilot exhaust out main exhaust	FB	24V~/1,8W	J*	15 cm	2	Locking	JD	Rectangular connector with light
		JA	110V~/50Hz					KA	Mini square connector
		JB	220V~/50Hz					KD	Mini square connector with light
		JC	24V~/50Hz						

* Lead wire length for external plug-in connectors must be "J"

* Other options available, see page 385.

OPTIONS

54A-Xx-XxX-DM-xxxx-xxx

- 1 Individual base – Side ports
- 2 Individual Base – Bottom Cylinder ports (No side cylinder port)
- 0 Base only
- A Base Mount Body – Internal pilot
- B Base Mount Body – External pilot (12 end)
- C Base Mount Body – External pilot (10 end)
- E Base Mount Body – Internal pilot - Pilot exhaust out main exhaust (with DU pilot)
- F Base Mount Body – External pilot (12 end) – Pilot exhaust out main exhaust (with DU pilot)
- G Base Mount Body – External pilot (10 end) – Pilot exhaust out main exhaust (with DU pilot)

31
33
34
36
32
37
38
52
53
54
67
68
69
41
43
44
23
24
46
42
47
48P
48
400
92
83
93
ISO 01
ISO 02
ISO 1
ISO 2
ISO 3



100%
OF
PRODUCTION
TESTED
100%

WARRANTY
18
MONTHS

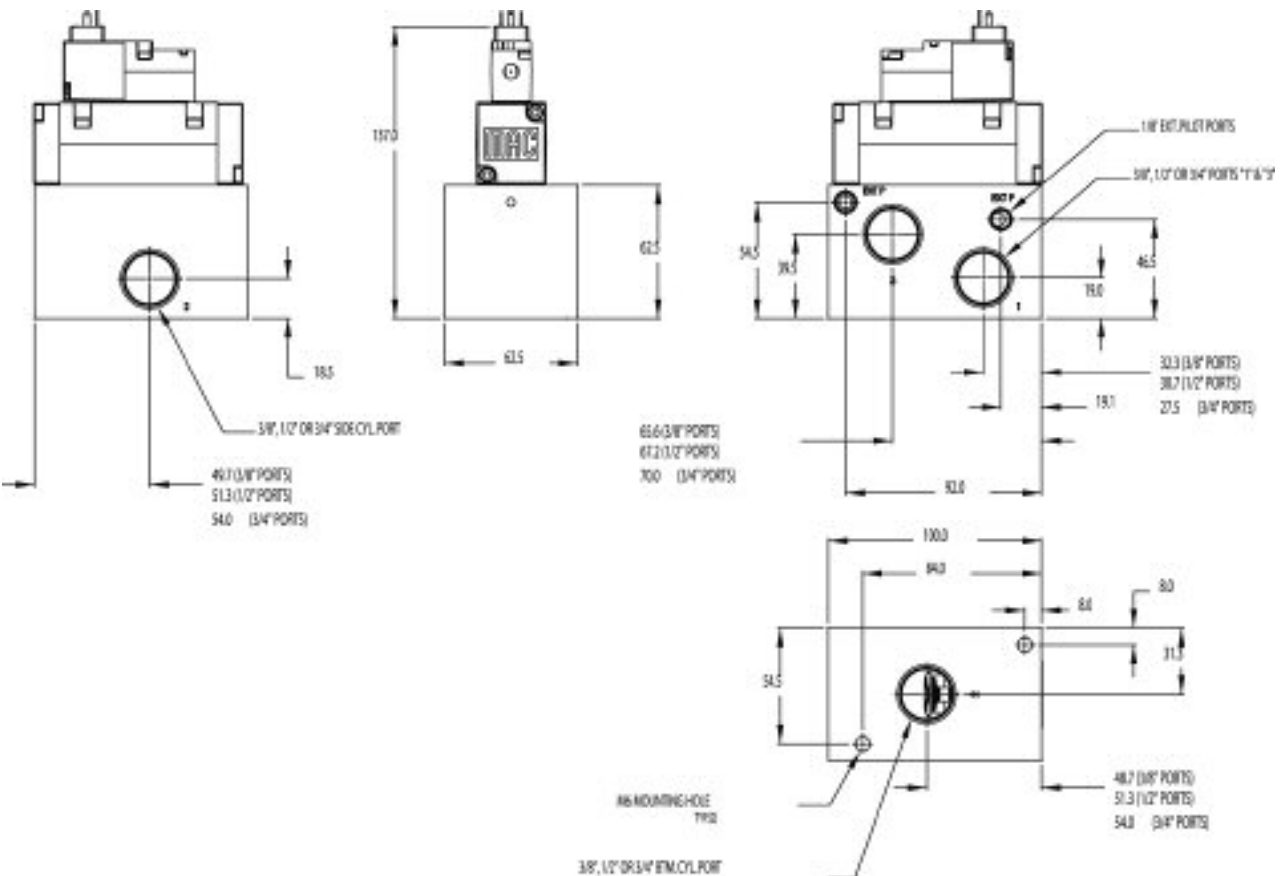
TECHNICAL DATA

Fluid :	Compressed air, vacuum, inert gases
Pressure range :	Main valve: External pilot : Vacuum to 8 bar Internal pilot: 1,3 to 8 bar External pilot: 1,3 to 8 bar
Lubrication :	Not required, if used select a medium aniline point lubricant (between 80°C and 100°C)
Filtration :	40 µ
Temperature range :	-18°C to +50°C
Orifice :	13,5 mm
Flow :	Up to 5100 NI/min (Cv 5.1)
Coil :	Epoxy encapsulated - Class A wires - 100% ED
Voltage range :	-15% to +10% of nominal voltage
Protection :	Consult factory
Power :	1,8 to 5,4W (Higher wattages available)

Options: NPTF threads

DIMENSIONS

Dimensions shown are metric (mm)





Direct solenoid and solenoid pilot operated valves

Function	Port size	Flow [Max]	Individual mounting	Series
3/2 NO-NC	G3/8" - G1/2" - G3/4"	5100 NI/min	Subbase plug-in	

OPERATIONAL BENEFITS

1. The 4-way pilot develops maximum shifting forces both ways
2. Balanced spool, immune to variations of pressure, also provides high flow
3. Short stroke with high flow
4. Bonded spool with minimum friction, shifting in a glass-like finished bore
5. Pilot with balanced poppet, high flow, short and consistent response times.
6. Wiping effect eliminates sticking
7. Long service life

HOW TO ORDER



Port size	Pilot air	NC Valve	NO Valve
Valve less base	Internal	54A-AA-000-DM-xxxx-xxx	54A-BA-000-DM-xxxx-xxx
	External from 10 end	54A-AC-000-DM-xxxx-xxx	54A-BC-000-DM-xxxx-xxx
	External from 12 end	54A-AB-000-DM-xxxx-xxx	54A-BB-000-DM-xxxx-xxx
G3/8"	Internal	54A-AA-D1B-DM-xxxx-xxx	54A-BA-D1B-DM-xxxx-xxx
	External from 10 end	54A-AC-D1B-DM-xxxx-xxx	54A-BC-D1B-DM-xxxx-xxx
	External from 12 end	54A-AB-D1B-DM-xxxx-xxx	54A-BB-D1B-DM-xxxx-xxx
G1/2"	Internal	54A-AA-E1B-DM-xxxx-xxx	54A-BA-E1B-DM-xxxx-xxx
	External from 10 end	54A-AC-E1B-DM-xxxx-xxx	54A-BC-E1B-DM-xxxx-xxx
	External from 12 end	54A-AB-E1B-DM-xxxx-xxx	54A-BB-E1B-DM-xxxx-xxx
G3/4"	Internal	54A-AA-F1B-DM-xxxx-xxx	54A-BA-F1B-DM-xxxx-xxx
	External from 10 end	54A-AC-F1B-DM-xxxx-xxx	54A-BC-F1B-DM-xxxx-xxx
	External from 12 end	54A-AB-F1B-DM-xxxx-xxx	54A-BB-F1B-DM-xxxx-xxx

SOLENOID OPERATOR ►

DM-D XXX-XXX*

XX	Pilot type	XX	Voltage	X	Lead wire length	X	Manual operator	XX	Electrical connection
DM	Muffled exhaust	DA	24V~/5,4W	A	45 cm	0	No operator	BA	Flying leads
DP	Piped exhaust	DF	24V~/12,7W	B	60 cm	1	Non locking	JB	Rectangular connector
DU	Universal pilot - Pilot exhaust out main exhaust	FB	24V~/1,8W	J*	15 cm	2	Locking	JD	Rectangular connector with light
		JA	110V~/50Hz					KA	Mini square connector
		JB	220V~/50Hz					KD	Mini square connector with light
		JC	24V~/50Hz						

* Lead wire length for external plug-in connectors must be "J"

* Other options available, see page 385.

OPTIONS

54A-Xx-XxX-DM-xxxx-xxx

- 1 Individual base – Side ports
- 2 Individual Base – Bottom Cylinder ports (No side cylinder port)
- 0 Base only
- A Base Mount Body – Internal pilot
- B Base Mount Body – External pilot (12 end)
- C Base Mount Body – External pilot (10 end)
- E Base Mount Body – Internal pilot - Pilot exhaust out main exhaust (with DU pilot)
- F Base Mount Body – External pilot (12 end) – Pilot exhaust out main exhaust (with DU pilot)
- G Base Mount Body – External pilot (10 end) – Pilot exhaust out main exhaust (with DU pilot)

31
33
34
36
32
37
38
52
53
54
67
68
69
41
43
44
23
24
46
42
47
48P
48
400
92
83
93
ISO 01
ISO 02
ISO 1
ISO 2
ISO 3



100%
OF
PRODUCTION
TESTED
100%

WARRANTY
18
MONTHS

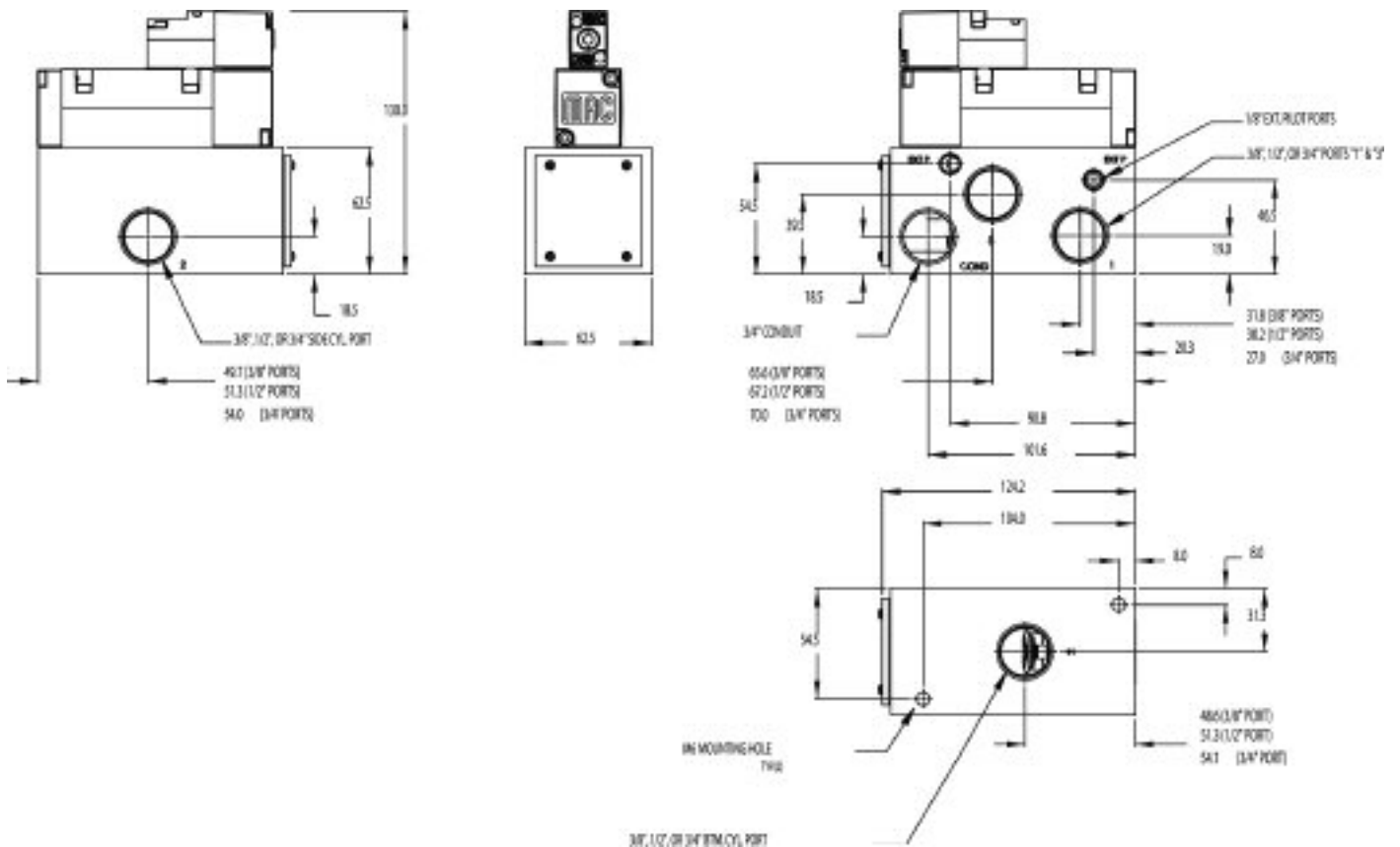
TECHNICAL DATA

Fluid :	Compressed air, vacuum, inert gases
Pressure range :	Main valve: External pilot :Vacuum to 8 bar Internal pilot: 1,3 to 8 bar External pilot: 1,3 to 8 bar
Lubrication :	Not required, if used select a medium aniline point lubricant (between 80°C and 100°C)
Filtration :	40 µ
Temperature range :	-18°C to +50°C
Orifice :	13,5 mm
Flow :	Up to 5100 NI/min (Cv 5.1)
Coil :	Epoxy encapsulated - Class A wires – 100% ED
Voltage range :	-15% to +10% of nominal voltage
Protection :	Consult factory
Power :	1,8 to 5,4W (Higher wattages available)

Options: NPTF threads

DIMENSIONS

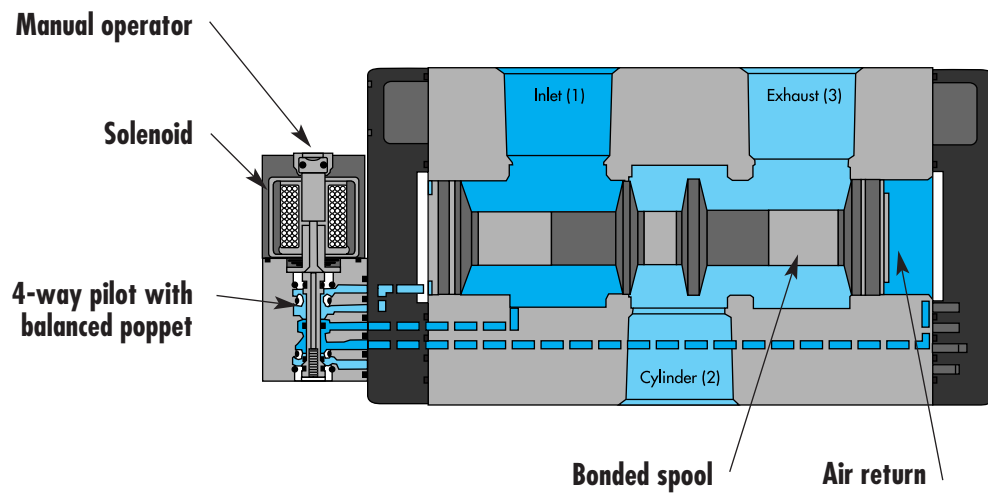
Dimensions shown are metric (mm)



Individual mounting

Series

Inline	
--------	--



SERIES FEATURES

- Patented MACSOLENOID® for fastest possible response times and virtually burn-out proof AC solenoid operation.
- Optional low watt DC solenoids.
- Normally closed or normally open valve function.
- Optional universal spool.
- Internal or external pilot.
- Optional memory spring.
- Checked accumulator.
- Optional pilot exhaust to main valve exhaust.
- May be plugged for 2-way operation.

31
33
34
36
32
37
38
52
53
54
67
68
69
41
43
44
23
24
46
42
47
48P
48
400
92
83
93
ISO 01
ISO 02
ISO 1
ISO 2
ISO 3



Direct solenoid and solenoid pilot operated valves

Function	Port size	Flow [Max]	Individual mounting	Series
3/2 NO-NC, 2/2 NO-NC	G3/4" - G1"	20000 NI/min	Inline	

OPERATIONAL BENEFITS

1. The 4-way pilot develops maximum shifting force both ways.
2. Memory spring available.
3. Balanced spool, immune to variations of pressure, also provides high flow.
4. Short stroke with high flow.
5. Bonded spool with minimum friction, shifting in a glass-like finished bore.
6. Pilot with balanced poppet, high flow, short and consistent response times.
7. Wiping effect eliminates sticking.



HOW TO ORDER

Port size	Pilot air	Single Operator		Double Operator	
		NO Valve	NC Valve	NO Valve	NC Valve
G3/4"	Internal	67A-CX-CAA-DM-Dxxx-xxx	67A-AX-CAA-DM-Dxxx-xxx	67A-DX-CAA-DM-Dxxx-xxx	67A-BX-CAA-DM-Dxxx-xxx
G1"	Internal	67A-CX-DAA-DM-Dxxx-xxx	67A-AX-DAA-DM-Dxxx-xxx	67A-DX-DAA-DM-Dxxx-xxx	67A-BX-DAA-DM-Dxxx-xxx
G3/4"	External	67A-CX-CAB-DM-Dxxx-xxx	67A-AX-CAB-DM-Dxxx-xxx	67A-DX-CAB-DM-Dxxx-xxx	67A-BX-CAB-DM-Dxxx-xxx
G1"	External	67A-CX-DAB-DM-Dxxx-xxx	67A-AX-DAB-DM-Dxxx-xxx	67A-DX-DAB-DM-Dxxx-xxx	67A-BX-DAB-DM-Dxxx-xxx

SOLENOID OPERATOR >

DM-D xxx-xxx*

XX Voltage	X Wire length	X Manual operator	XX Electrical connection
JA 110 V~/50Hz	A 45 cm	1 Non-locking	KA Square connector
JB 220 V~/50Hz	B 60 cm	2 Locking	KD Square connector with light
JC 24 V~/50Hz	J Connector		JB Rectangular connector
FB 24 V~/1,8W			JD Rectangular connector with light
DA 24 V~/5,4W			BA Flying leads
DF 24 V~/12,7W			

* Other options available, see page 385.

OPTIONS

Spool type :

67A-XX-CAA-DM-Dxxx-yzz

- G** Single operator universal spool
- H** Double operator universal spool

Spool return :

67A-CX-CAA-DM-Dxxx-yzz

- 1** Standard return
- 2** Standard return with memory spring

Port configuration :

67A-XX-CXA-DM-Dxxx-xxx

- A** Standard pilot exhaust
 - B** Pilot exhaust to main exhaust*
 - C** Pilot exhaust out adapter*
- * Must use DU pilot

Pilot style :

67A-XX-CAA-DM-Dxxx-xxx

- M** Pilot exhaust muffled
- R** Pilot exhaust piped M5
- U** Pilot exhaust to main exhaust

Mounting style :

67A-XX-XAX-DM-Dxxx-xxx

- G** O-Ring mount

31
33
34
36
32
37
38
52
53
54
67
68
69
41
43
44
23
24
46
42
47
48P
48
400
92
83
93
ISO 01
ISO 02
ISO 1
ISO 2
ISO 3

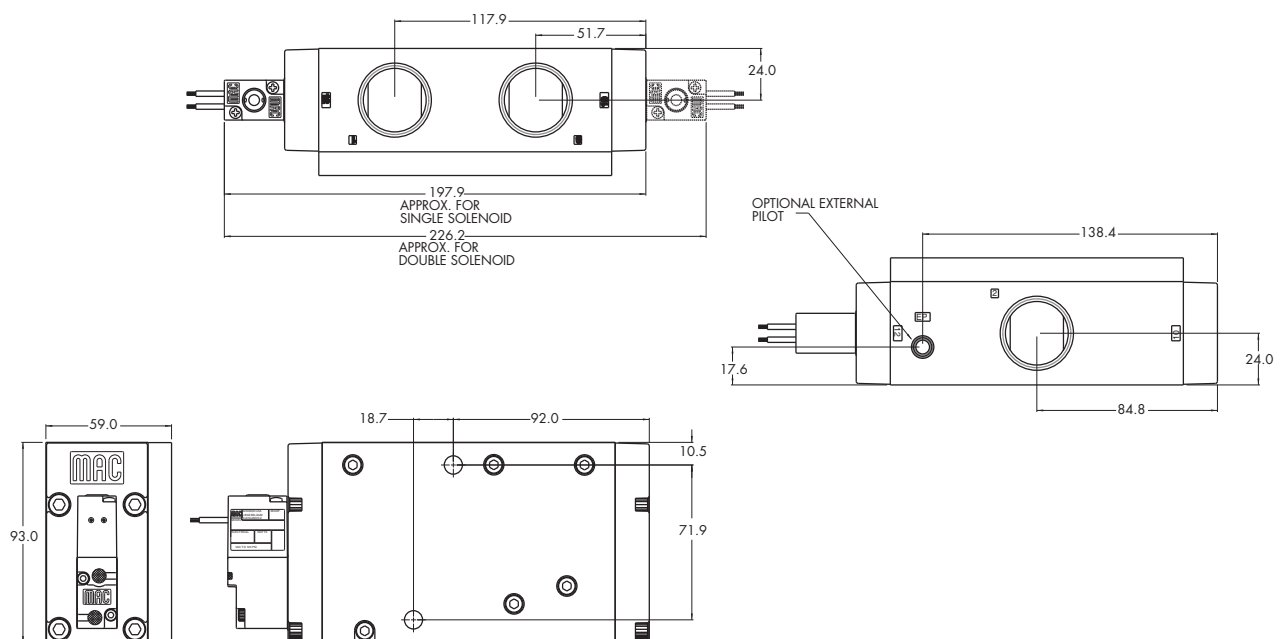
TECHNICAL DATA

Fluid :	Compressed air, vacuum, inert gases
Pressure range :	Internal Pilot : 1,3 to 8 bar External Pilot : Vacuum to 8 bar
Lubrication :	Not required, if used select a medium aniline point lubricant (between 80°C and 100°C)
Filtration :	40 µ
Temperature range :	-18°C to +50°C
Orifice :	26,8 mm
Flow (at 6 bar, ΔP=1bar) :	3/4" : 14500 NI/min (Cv 14,5) – 1" : 20000 (Cv 20,0)
Coil :	Epoxy encapsulated – 100% ED
Voltage range :	-15% to +10% of nominal voltage
Protection :	IP65 (electrical connection)
Power :	~ Inrush : 7.6 VA Holding : 4.8 VA = 12.7 to 1.0 W
Response times : (with 5,4 W coil)	Energize : 29 ms De-energize : 21 ms

Options : • NPTF threads

DIMENSIONS

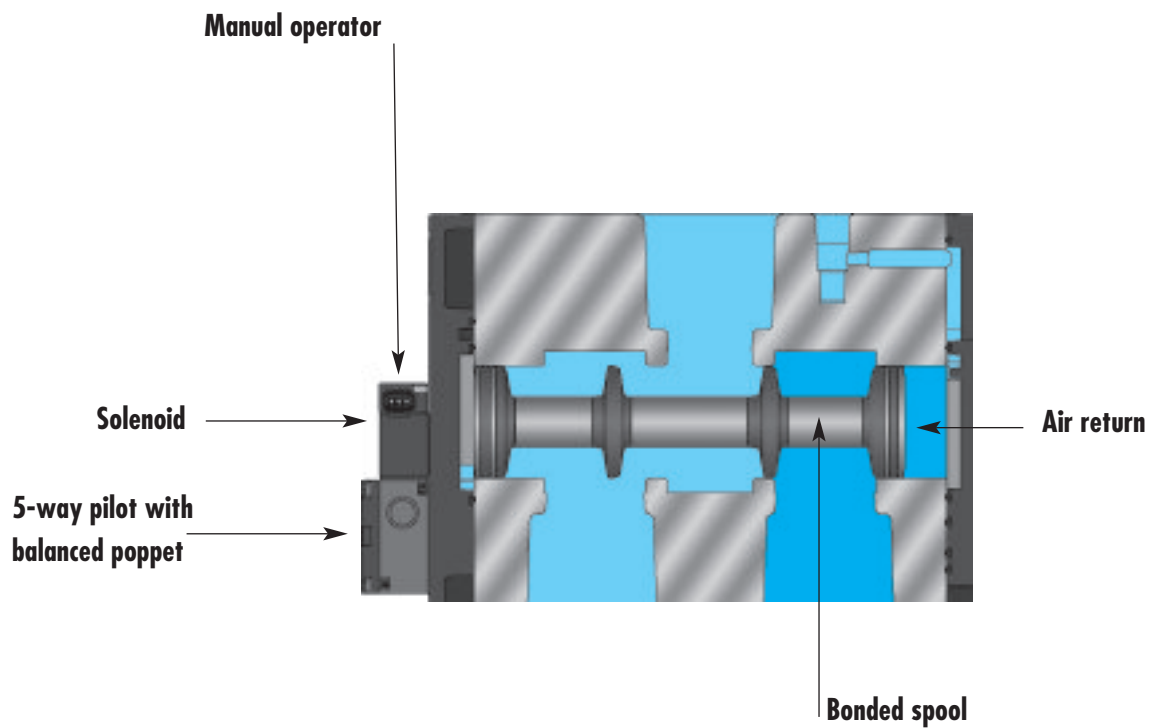
Dimensions shown are metric (mm)



Individual mounting

Series

Inline	
--------	--



SERIES FEATURES

- The 4-way pilot develops maximum shifting forces both ways.
- Balanced spool, immune to variations of pressure.
- Bonded spool with minimum frictions, shifting in a glass-like finished bore.
- Pilot with balanced poppet, high flow, short and consistent response times.
- Memory spring available.

31
33
34
36
32
37
38
52
53
54
67
68
69
41
43
44
23
24
46
42
47
48P
48
400
92
83
93
ISO 01
ISO 02
ISO 1
ISO 2
ISO 3

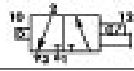

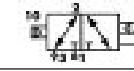
Function	Port size	Flow [Max]	Individual mounting	Series
3/2, 2/2	G1"-G1 1/4"-G1 1/2"	31000 NI/min	Inline	

OPERATIONAL BENEFITS

1. The 4-way pilot develops maximum shifting forces both ways.
2. Balanced spool, immune to variations of pressure, also provides high flow.
3. Bonded spool with minimum friction, shifting in a glass like finished bore
4. Pilot with balanced popet, high flow, short and consistent response times.



HOW TO ORDER

Port size	Pilot air	Single operator NC	Single operator NO	Single operator Universal valve
				
G1"	Internal	68A-A1-DAA-Jxxx-xxx	68A-C1-DAA-Jxxx-xxx	-
	External	68A-A1-DAB-Jxxx-xxx	68A-C1-DAB-Jxxx-xxx	68A-G1-DAB-Jxxx-xxx
G1 1/4"	Internal	68A-A1-EAA-Jxxx-xxx	68A-C1-EAA-Jxxx-xxx	-
	External	68A-A1-EAB-Jxxx-xxx	68A-C1-EAB-Jxxx-xxx	68A-G1-EAB-Jxxx-xxx
G1 1/2"	Internal	68A-A1-FAA-Jxxx-xxx	68A-C1-FAA-Jxxx-xxx	-
	External	68A-A1-FAB-Jxxx-xxx	68A-C1-FAB-Jxxx-xxx	68A-G1-FAB-Jxxx-xxx

SOLENOID OPERATOR >

J **XXX-XXX****

XX Voltage	X Wire length	X Manual operator	XX Electrical connection
AA* 120V~/5.4W	0 No lead wire	0 No operator	BA Flying leads
AC* 24V~/5.4W	A 45 cm	1 Recessed - Non locking	GA MAC JAC Solenoid plug-in
DA 24V~/5.4W	B 60 cm	2 Recessed - Locking	GB MAC JAC Solenoid plug-in with diode
DB 12V~/5.4W	C 90 cm	3 Extended - Non locking	GH MAC JAC Solenoid plug-in with rectifier and LED
DC 24V~/2.4W	D 120 cm	4 Extended - Locking	JB Rectangular connector
DD 12V~/2.4W	E 180 cm		JD Rectangular connector with light
DE 24V~/1.8W	F 240 cm		KA Mini square plug-in
DF 12V~/1.8W			KB Mini square plug-in with diode
			KH Mini square plug-in with rectifier & light

* Note: AC voltage requires connector with rectifier

** Other options available, see page 393.

OPTIONS

Pilot exhaust: 68A-xx-x-**Xx**-Jxxx-xxx (**G**)

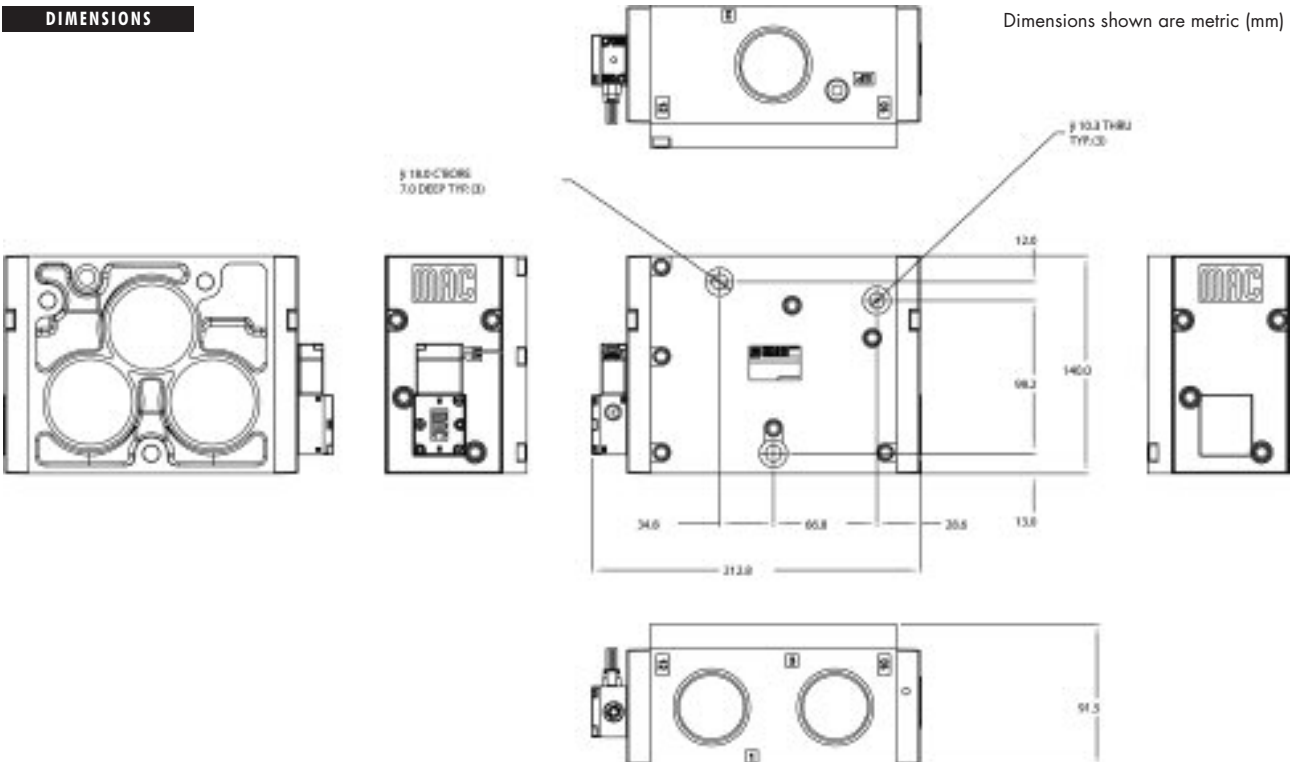


TECHNICAL DATA

Fluid :	Compressed air, vacuum, inert gases
Pressure range :	Internal pilot: 1,3 to 8 bar External pilot: Vacuum to 8 bar
Pilot pressure :	1,3 to 8 bar
Lubrication :	Not required, if used select a medium aniline point lubricant (between 80°C and 100°C)
Filtration :	40 µ
Temperature range :	-18°C to +50°C
Flow :	31000 NI/min (Cv 31.0)
Power :	5.4 to 1.8 W
Voltage range:	-15% to +10% of nominal voltage

Options : • NPTF threads

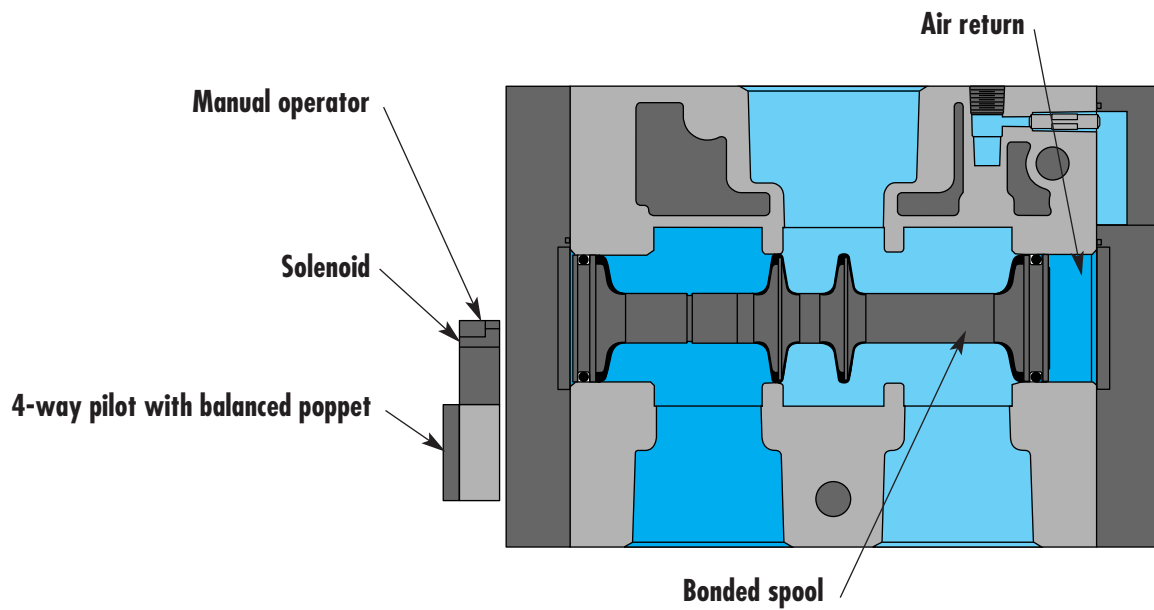
DIMENSIONS



Individual mounting

Series

Inline	
--------	--



SERIES FEATURES

- High force MACSOLENOID®.
- Optional low watt DC solenoids.
- Internal or external pilot.
- Normally open or normally closed function.
- Checked accumulator.
- May be plugged for 2-way operation.

31
33
34
36
32
37
38
52
53
54
67
68
69
41
43
44
23
24
46
42
47
48P
48
400
92
83
93
ISO 01
ISO 02
ISO 1
ISO 2
ISO 3



Direct solenoid and solenoid pilot operated valves

Function	Port size	Flow [Max]	Individual mounting	Series
3/2 NO-NC, 2/2 NO-NC	G1 1/2" - G2" - G2 1/2"	60000 NI/min	Inline	

OPERATIONAL BENEFITS

1. The 4-way pilot develops maximum shifting force both ways.
2. Balanced spool, immune to variations of pressure, also provides high flow.
3. Short stroke with high flow.
4. Bonded spool with minimum friction, shifting in a glass-like finished bore.
5. Pilot with balanced poppet, high flow, short and consistent response times.
6. Wiping effect eliminates sticking and contamination.



HOW TO ORDER

Port size	Pilot air	Single Operator NC valve	Single Operator NO valve
G 1 1/2"	Internal	69A-A1-DAA-JXXX-XXX	69A-C1-DAA-JXXX-XXX
G 2"		69A-A1-EAA-JXXX-XXX	69A-C1-EAA-JXXX-XXX
G 2 1/2"		69A-A1-FAA-JXXX-XXX	69A-C1-FAA-JXXX-XXX
G 1 1/2"	External	69A-A1-DAB-JXXX-XXX	69A-C1-DAB-JXXX-XXX
G 2"		69A-A1-EAB-JXXX-XXX	69A-C1-EAB-JXXX-XXX
G 2 1/2"		69A-A1-FAB-JXXX-XXX	69A-C1-FAB-JXXX-XXX

SOLENOID OPERATOR >

J **XXX-XXX** (-G) Add "G" for ground

XX Voltage	X Lead wire length	X Manual operator	XX Electrical connection*
AA 120V~/5,4W	0 No lead wire	1 Non-locking	BA Flying leads
DA 24V~/5,4W	A 45 cm	2 Locking	GA MAC JAC Solenoid plug-in
DB 12V~/5,4W	B 60 cm		GG MAC JAC Solenoid plug-in with rectifier
DC 24V~/2,4W	C 90 cm		JB Rectangular connector
DD 12V~/2,4W			JD Rectangular connector with light
			KA Mini square connector
			KD Mini square connector with light

* Other options available, see page 393.
 Note : - Use "O" no lead wire for "J", "K" and "L" type electrical connector.
 - AC voltage requires connector with rectifier.

OPTIONS

Pilot exhaust configuration:

69A-xx-XXx-DM-DXXX-XXX

- A** Standard pilot exhaust
- B** Pilot exhaust out main exhaust
- M** Manifold O-Ring mount

31
33
34
36
32
37
38
52
53
54
67
68
69
41
43
44
23
24
46
42
47
48P
48
400
92
83
93
ISO 01
ISO 02
ISO 1
ISO 2
ISO 3

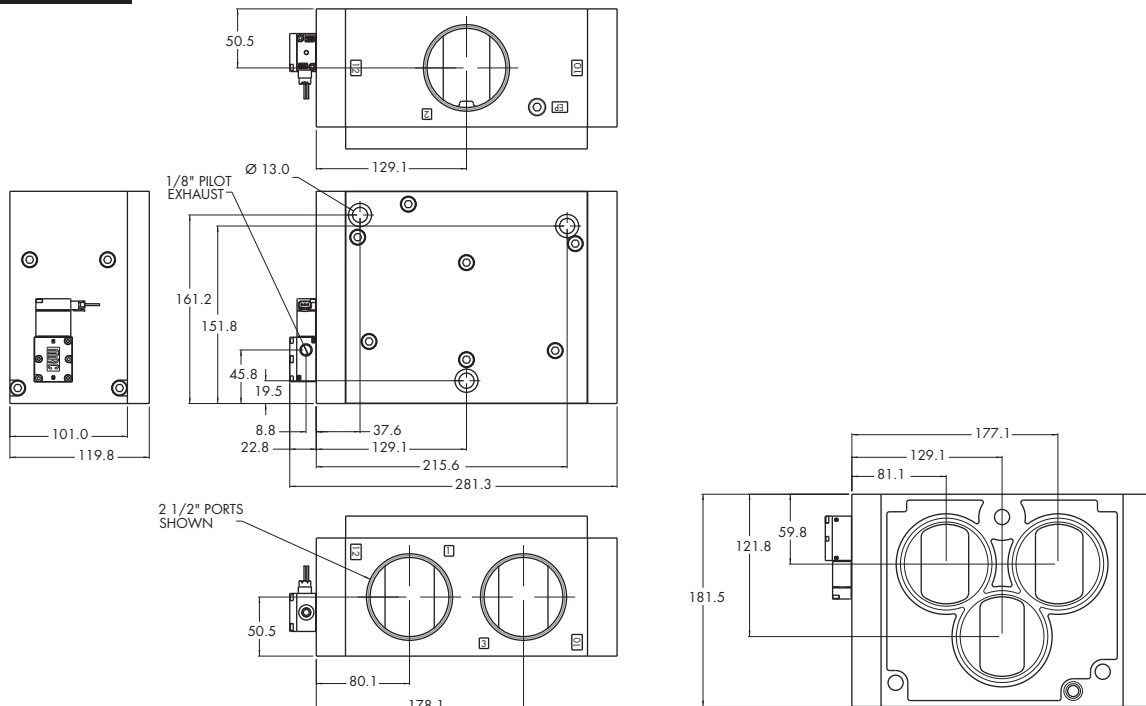
TECHNICAL DATA

Fluid :	Compressed air, vacuum, inert gases
Pressure range :	Internal Pilot : 1,3 to 8 bar External Pilot : Vacuum to 8 bar
Pilot Pressure:	1,3 to 8 bar
Lubrication :	Not required, if used select a medium aniline point lubricant (between 80°C and 100°C)
Filtration :	40 µ
Temperature range :	-18°C to +50°C
Orifice :	46,5 mm
Flow (at 6 bar, ΔP=1bar) :	60000 NI/min (Cv 60.0)
Coil :	Epoxy encapsulated – class A wire – 100% ED
Voltage range :	-15% to +10% of nominal voltage
Power :	5,4W – 2,4W – 1,8W

Options : • NPTF threads

DIMENSIONS

Dimensions shown are metric (mm)

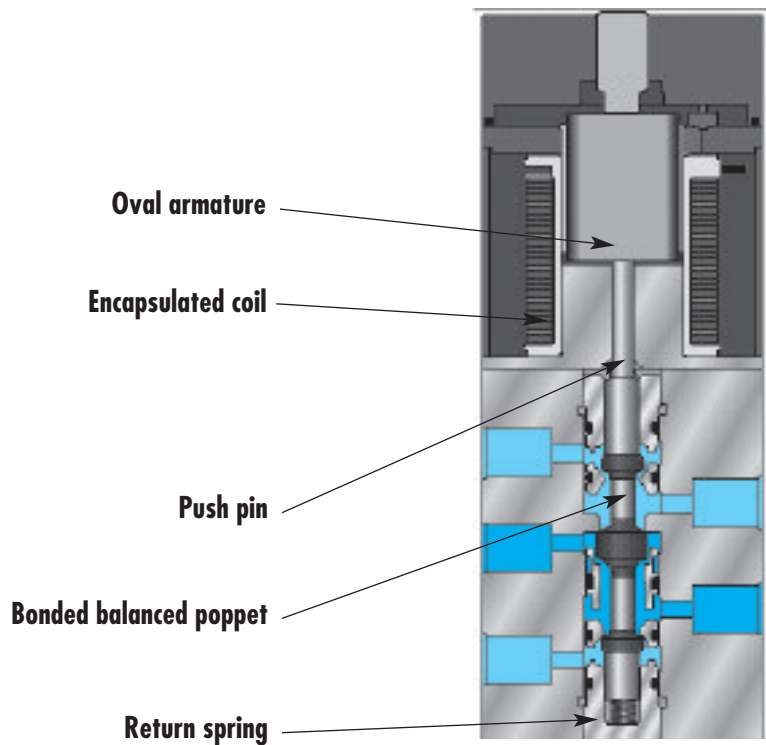


Direct solenoid and solenoid pilot operated valves 6 mm valve

Individual mounting

Series

Inline	
--------	--



31
33
34
36
32
37
38
52
53
54
67
68
69
41
43
44
23
24
46
42
47
48P
48
400
92
83
93
ISO 01
ISO 02
ISO 1
ISO 2
ISO 3

SERIES FEATURES

- Patented high force MACSOLENOID® for fastest possible response times.
- Bonded balanced poppet for high flow, precise repeatability, and consistent operation.
- Extremely high cycle rate capability.
- Use on lube or non-lube service.
- 6 mm direct operating valve.
- Very fast response times.



Direct solenoid and solenoid pilot operated valves 6 mm valve

Function	Port size	Flow [Max]	Individual mounting	Series
5/2	M3	22 to 35 NI/min	Inline	

OPERATIONAL BENEFITS

1. 6mm valve direct solenoid operated
2. Balanced poppet, immune to pressure variations
3. Short stroke with high flow
4. Patented solenoid develops high shifting forces
5. Low wattage solenoids
6. Powerful return spring
7. Extremely fast response times (consult factory)



HOW TO ORDER

Port size	Valve
M3	41A-AAA-Txxx-xxx



SOLENOID OPERATOR >

T **XXX-XXX***

XX	Voltage	X	Lead wire length	X	Manual operator	XX	Electrical connection
DC	24V=/1.8W	A	45 cm	0	No operator	BA	Flying leads
DD	24V=/2.5W	B	60 cm	1	Non locking recessed		
DE	24V=/3.0W	C	90 cm	3	Non locking extended		
DF	24V=/4.0W						
DJ	12V=/1.8W						
DK	12V=/2.5W						
DL	12V=/3.0W						
DM	12V=/4.0W						

* Other options available, see page 405.

31
33
34
36
32
37
38
52
53
54
67
68
69
41
43
44
23
24
46
42
47
48P
48
400
92
83
93
ISO 01
ISO 02
ISO 1
ISO 2
ISO 3



100%
OF
PRODUCTION
TESTED
100%

WARRANTY
18
MONTHS

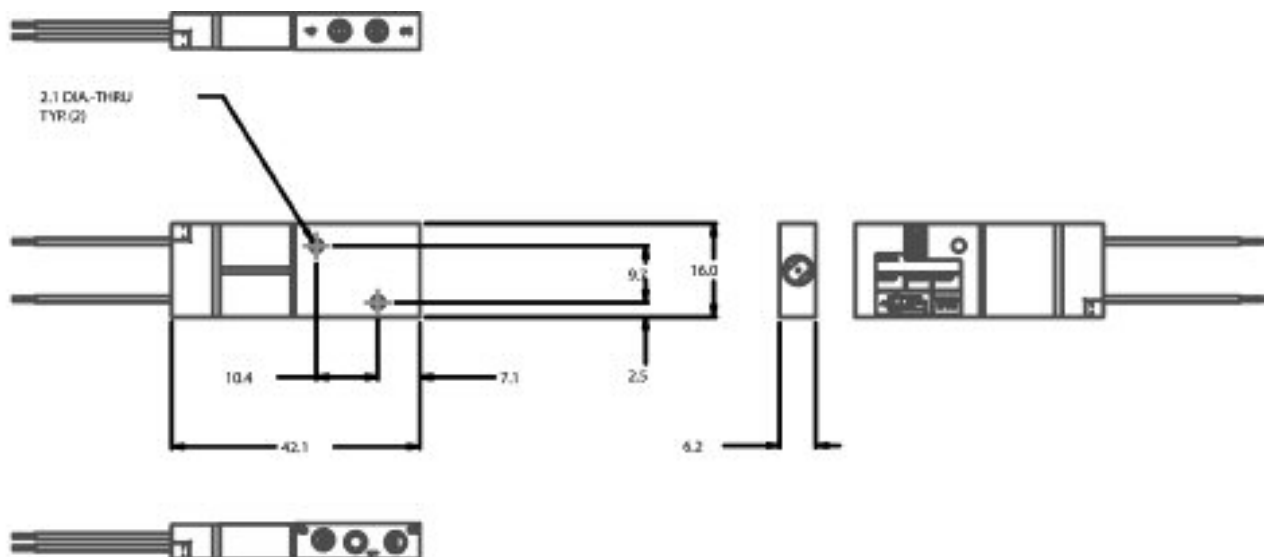
TECHNICAL DATA

Fluid :	Compressed air, vacuum, inert gases
Pressure range :	Vacuum to 8 bar
Lubrication :	Not required, if used select a medium aniline point lubricant (between 80°C and 100°C)
Filtration :	40 µ
Temperature range :	-18°C to +50°C
Flow :	Up to 35 Nl/min (Cv 0.035)
Coil :	Class A wires – continuous duty
Voltage range :	15% to +10%
Power :	4.0W, 3.0W, 2.5W, 1.8W

Options : • NPTF threads

DIMENSIONS

Dimensions shown are metric (mm)

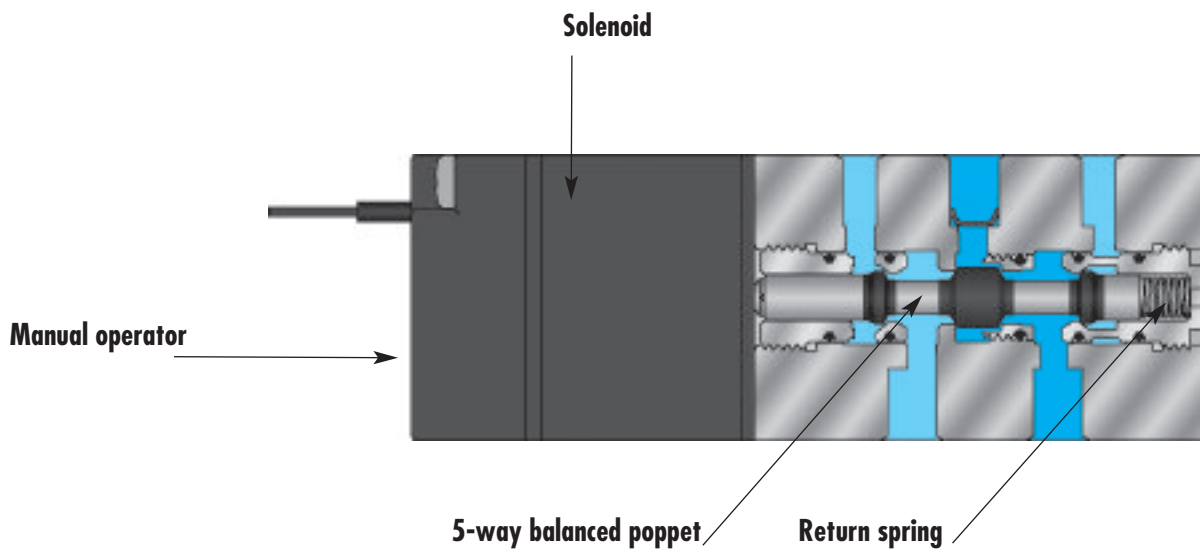


Individual mounting

Series

Inline

31
33
34
36
32
37
38
52
53
54
67
68
69
41
43
44
23
24
46
42
47
48P
48
400
92
83
93
ISO 01
ISO 02
ISO 1
ISO 2
ISO 3



SERIES FEATURES

- 8mm valve, direct solenoid operated.
- Balanced poppet, immune to variations of pressure.
- Short stroke with high flow.
- Patented solenoid, for fastest possible response times.
- Powerful return spring.
- Flow is specially adapted on each valve.
- Manual operator standard on all valves.

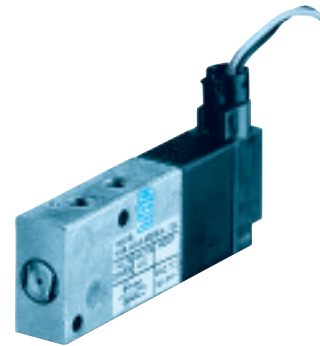


Direct solenoid and solenoid pilot operated valves

Function	Port size	Flow [Max]	Individual mounting	Series
5/2	M3	70 NI/min	Inline	

OPERATIONAL BENEFITS

1. 8mm direct solenoid operated valve
2. Balanced poppet, immune to variations of pressure
3. Short stroke with high flow
4. The patented solenoid develops high shifting forces
5. Powerful return spring
6. Flow is specifically adjusted on each valve
7. Manual operator standard on each valve



HOW TO ORDER

Port size	Valve
M3	 43A-AAA-Rxxx-xxx

SOLENOID OPERATOR >

R **xxx-xxx***

XX	Voltage	X	Lead wire length	X	Manual operator	XX	Electrical connection
DC	24V=/1.8W	0*	No lead wire	0	No operator	BA	Flying leads
DD	24V=/2.5W	A	45 cm	1	Non locking recessed	BB	Flying leads with LED
DF	24V=/4.0W	B	60 cm	3	Non locking extended	RA	Mini JAC solenoid plug-in
DJ	12V=/1.8W	C	90 cm			RB	Mini JAC solenoid plug-in with LED
DK	12V=/2.5W					TA	JST solenoid plug-in
DM	12V=/4.0W					TB	JST solenoid plug-in with LED

* Not available for flying leads connectors

* Other options available, see page 401.

31

33

34

36

32

37

38

52

53

54

67

68

69

41

43

44

23

24

46

42

47

48P

48

48

400

92

83

93

ISO 01

ISO 02

ISO 1

ISO 2

ISO 3



100%
OF
PRODUCTION
TESTED
100%

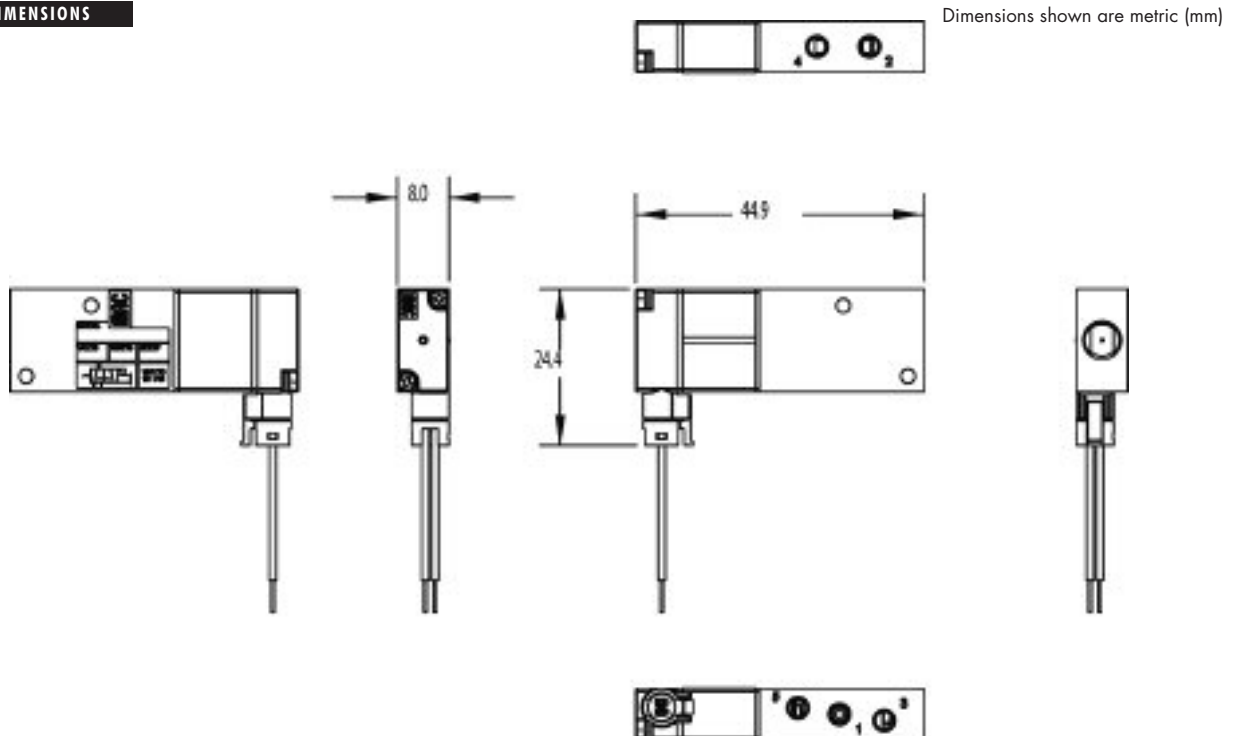
WARRANTY
18
MONTHS

TECHNICAL DATA

Fluid :	Compressed air, vacuum, inert gases
Pressure range :	Vacuum to 8 bar
Lubrication :	Not required, if used select a medium aniline point lubricant (between 80°C and 100°C)
Filtration :	40 µ
Temperature range :	-18°C to +50°C
Orifice :	1,6 mm
Flow (at 6 bar, ΔP=1bar) :	4,0 W: 70 NI/min – 3,0 W: 50 NI/min – 2,5 W: 40 NI/min – 1,8 W: 30 NI/min
Voltage range :	-15% to +10% of nominal voltage
Power :	4,0 W – 3,0 W – 2,5 W – 1,8 W

Options : • NPTF threads

DIMENSIONS

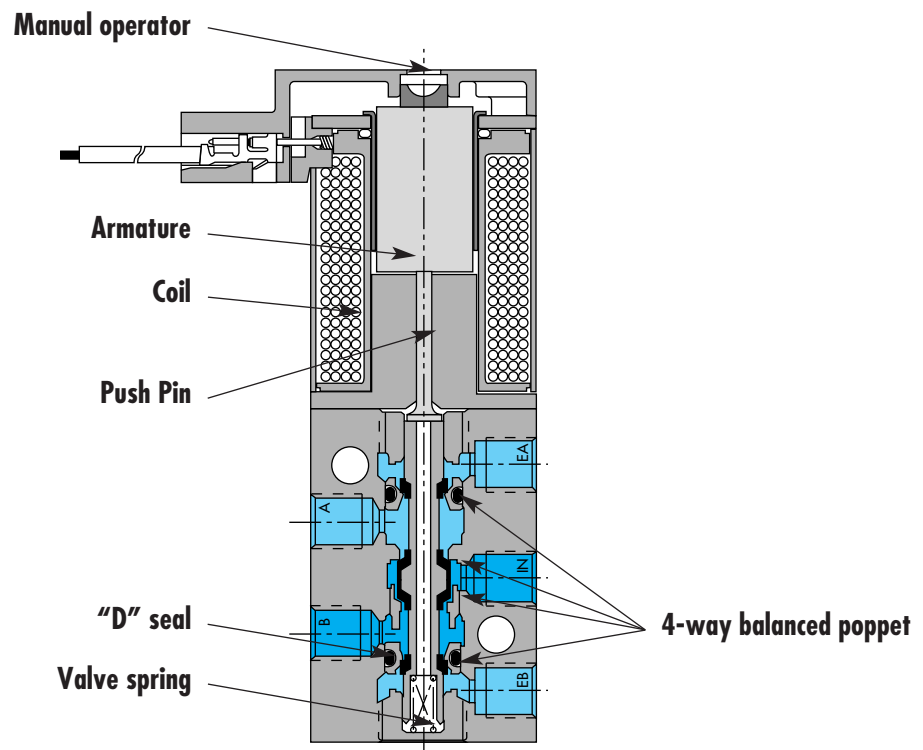


Individual mounting

Series

Inline

	31
	33
	34
	36
	32
	37
	38
	52
	53
	54
	67
	68
	69
	41
	43
	44
	23
	24
	46
	42
	47
	48P
	48
	400
	92
	83
	93
	ISO 01
	ISO 02
	ISO 1
	ISO 2
	ISO 3



SERIES FEATURES

- High force MACSOLENOID®.
- 10mm direct operated.
- # 10-32 or M5 ports.
- Rated for lubricated or non-lubricated service.



Direct solenoid and solenoid pilot operated valves

Function	Port size	Flow [Max]	Individual Mounting	Series
5/2	M5	100 NI/min	Inline	

OPERATIONAL BENEFITS

1. 10 mm valve, direct solenoid operated.
2. Balanced poppet, immune to variations of pressure.
3. Short stroke with high flow.
4. The patented solenoid develops high shifting forces.
5. Powerful return spring.
6. Flow is specifically adjusted on each valve.
7. Manual operator standard on all valves.



HOW TO ORDER

Port size	Model number	Model number For use with external flow controls
M5	44C-ABA-G XXX-XXX	44C-BBA-G XXX-XXX

LATCHING SOLENOID

Port size	Model number	Model number For use with external flow controls
M5	44B-ABA-L XXX-XXX	44B-BBA-L XXX-XXX

SOLENOID OPERATOR >

G XXX-XXX*

XX Voltage	X Wire length	X Manual operator	XX Electrical connection
DA 24 V=/1W	A 45 cm	1 Non-locking	BA Flying leads
DC 24 V=/1,8W	B 60 cm	2 Locking	BT Flying leads with light
DD 24 V=/2,5W			GA MAC JAC Solenoid plug-in
DF 24 V=/4,0W			KA Mini connector
			KT Mini connector with light

* Other options available, see page 387.

LATCHING SOLENOID >

L XXX-XXX*

XX Voltage	X Wire length	X Manual operator	XX Electrical connection
DF 24 V=/4,0W	A 45 cm	0 No operator	BA 2 Wire flying leads
HA 24 V=/1,95W	B 60 cm		BJ 4 Wire flying leads
	C 90 cm		KA 2 Wire plug-in assembly
			KE 4 Wire plug-in assembly
			LA 3 Wire plug-in assembly (Polarity switching cover)

* Other options available, see page 395.

31
33
34
36
32
37
38
52
53
54
67
68
69
41
43
44
23
24
46
42
47
48P
48
400
92
83
93
ISO 01
ISO 02
ISO 1
ISO 2
ISO 3

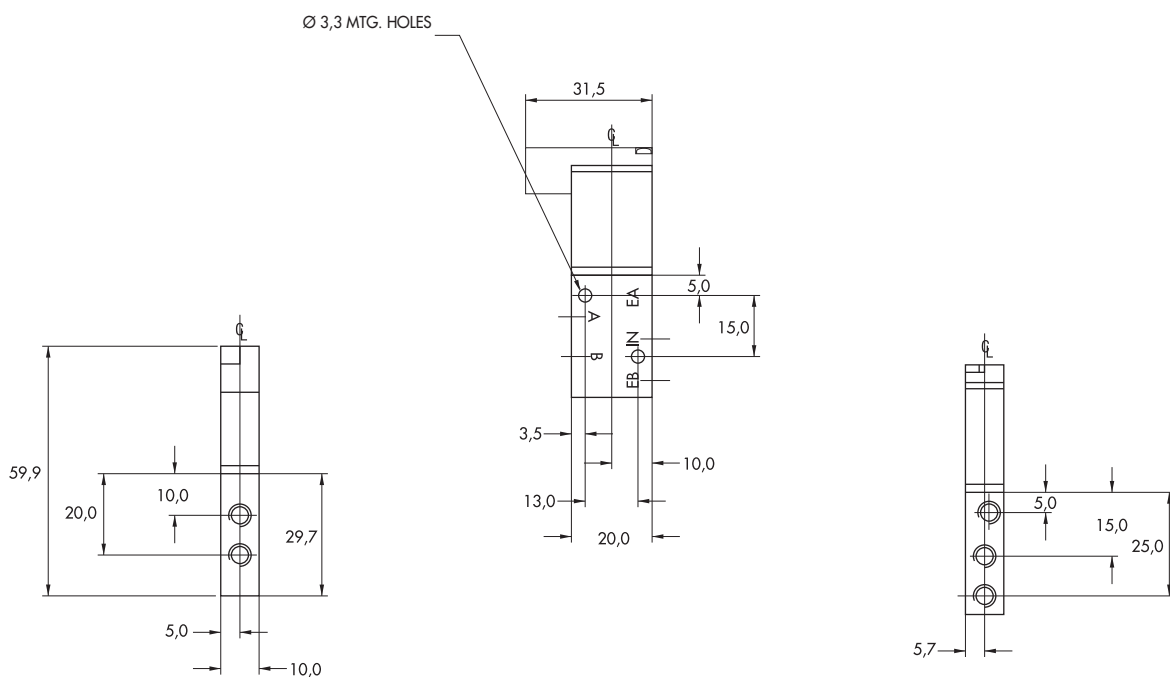
TECHNICAL DATA

Fluid :	Compressed air, vacuum, inert gases
Pressure range :	Vacuum to 8 bar
Lubrication :	Not required, if used select a medium aniline point lubricant (between 80°C and 100°C)
Filtration :	40 µ
Temperature range :	-18°C to +50°C
Orifice :	1,8 mm
Flow (at 6 bar, ΔP=1bar) :	4 W : 100 NI/min (Cv 0,10) – 2,5 W : 80 NI/min (Cv 0,08) – 1,8 W : 60 NI/min (Cv 0,06) – 1,0W : 50 NI/min (Cv 0,05)
Coil :	Epoxy encapsulated – Class A wires – 100% ED
Voltage range :	-15% to +10% of nominal voltage
Protection :	IP54 (electrical connection)
Power :	4 W – 2,5 W – 1,8 W – 1,0 W
Response times : (with 4 W coil)	Energize : 3,4 ms De-energize : 1,5 ms

Note : • Valve and coil are not interchangeable.

DIMENSIONS

Dimensions shown are metric (mm)



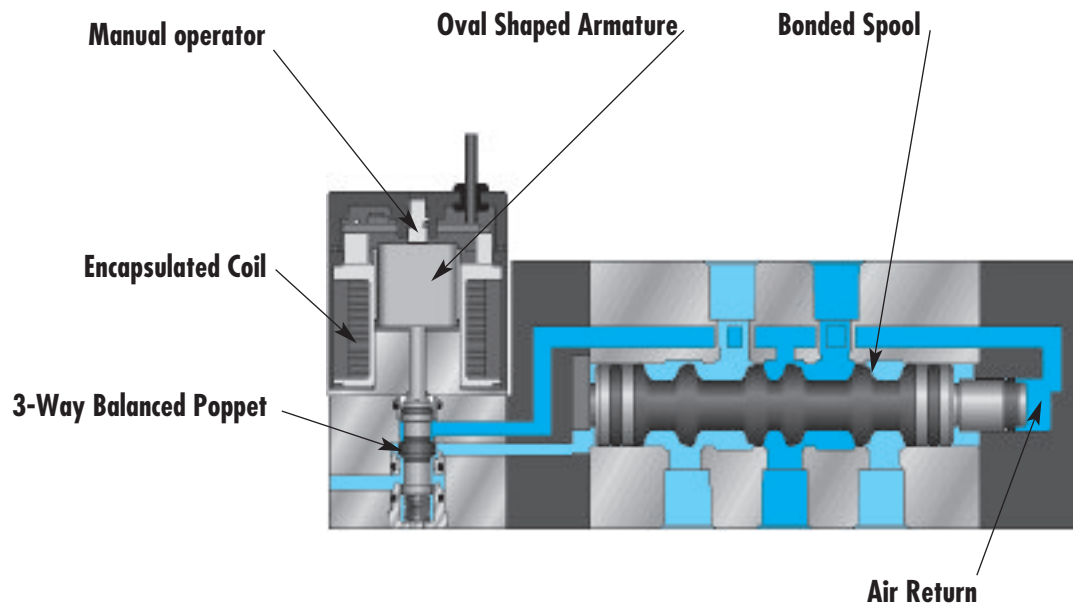
Direct solenoid and solenoid pilot operated valves 8 mm valve

Individual mounting

Inline	Sub-base Non plug-in
--------	-------------------------

Manifold mounting

Manifold-base Non plug-in



SERIES FEATURES

- Patented high force MACSOLENOID® for fastest possible response times.
- Bonded balanced poppet for high flow, precise repeatability, and consistent operation.
- Extremely high cycle rate capability.
- Use on lube or non-lube service.
- 8 mm solenoid pilot operated valve.
- Very fast and repeatable response times.

Série

31

33

34

36

32

37

38

52

53

54

67

68

69

41

43

44

23

24

46

42

47

48P

48

400

92

83

93

ISO 01

ISO 02

ISO 1

ISO 2

ISO 3



Direct solenoid and solenoid pilot operated valves 8 mm valve

Function	Port size	Flow [Max]	Individual mounting	Series
5/2	M3,M5	230 NI/min	Inline	

OPERATIONAL BENEFITS

1. 8 mm valve – solenoid pilot operated.
2. Balanced spool, immune to variations of pressure.
3. Bonded spool with minimum friction.
4. Wiping effect, eliminates sticking.
5. Pilot valve with balanced poppet, high flow, short and consistent response times



HOW TO ORDER

SINGLE PRESSURE MODELS

Port size	Pilot air	Single solenoid	Double solenoid
M3	Internal	23A-A1-C00-Exx-Rxxx-xxx	23A-B1-C00-Exx-Rxxx-xxx
	External	23A-A4-C00-Exx-Rxxx-xxx	23A-B4-C00-Exx-Rxxx-xxx
M5	Internal	23A-A1-B00-Exx-Rxxx-xxx	23A-B1-B00-Exx-Rxxx-xxx
	External	23A-A4-B00-Exx-Rxxx-xxx	23A-B4-B00-Exx-Rxxx-xxx

DUAL PRESSURE MODELS (INTERNAL PILOT ONLY)

Port size	Pilot air	Single solenoid	Double solenoid
M3	Internal from port #3	23A-C2-C00-Exx-Rxxx-xxx	23A-D2-C00-Exx-Rxxx-xxx
	Internal from port #5	23A-C3-C00-Exx-Rxxx-xxx	23A-D3-C00-Exx-Rxxx-xxx
M5	Internal from port #3	23A-C2-B00-Exx-Rxxx-xxx	23A-D2-B00-Exx-Rxxx-xxx
	Internal from port #5	23A-C3-B00-Exx-Rxxx-xxx	23A-D3-B00-Exx-Rxxx-xxx

SOLENOID OPERATOR >

E **XX-RXXX-XXX***

XX	Pilot type	XX	Voltage	X	Lead wire length	X	Manual operator	XX	Electrical connection
M2	Muffled exhaust	DB	24VDC (1.0W)	0*	No lead wire	0	No manual operator	BA	Flying leads
P2	Piped exhaust (M3)	DC	24VDC (1.8W)	A	45 cm	1	Recessed non locking	BB	Flying leads w/ LED
		DD	24VDC (2.5W)	B	60 cm	3	Extended non locking	RA	Mini JAC solenoid plug-in
		DE	24VDC (3.0W)					RB	Mini JAC sol. plug-in w/ LED
		DF	24VDC (4.0W)					TA	JST solenoid plug-in
		DH	12VDC (1.0W)					TB	JST sol. plug-in w/ LED
		DJ	12VDC (1.8W)						
		DK	12VDC (2.5W)						
		DL	12VDC (3.0W)						
		DM	12VDC (4.0W)						

* Not available for flying lead connectors.

Note: For pilot exhaust out main exhaust, Mod. 0353 is required

* Other options available, see page 397.

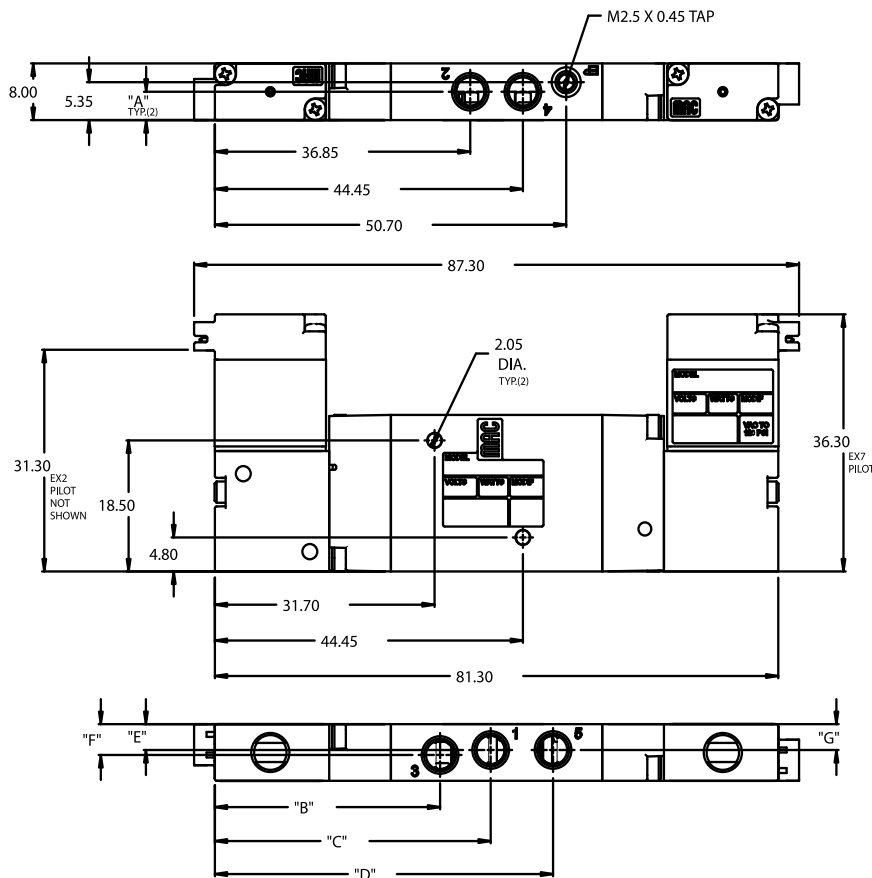
31
33
34
36
32
37
38
52
53
54
67
68
69
41
43
44
23
24
46
42
47
48P
48
400
92
83
93
ISO 01
ISO 02
ISO 1
ISO 2
ISO 3

TECHNICAL DATA

Fluid :	Compressed air, vacuum, inert gases
Pressure range :	Internal pilot: Single solenoid air return: 2 to 8 bar Single solenoid spring return: 2,7 to 8 bar Double solenoid: 1,3 to 8 bar External pilot: vacuum to 8 bar
Lubrication :	Not required, if used select a medium aniline point lubricant (between 80°C and 100°C)
Filtration :	40 µ
Flow :	230 NI/min
Coil :	Class A (#26 AWG x 18), continuous duty
Voltage range :	-15% to +10% of nominal voltage
Power :	4.0W, 3.0W, 2.5W, 1.8W, 1.0W

DIMENSIONS

Dimensions shown are metric (mm)



DIM	M3 X 0.5 PORT OPTION	#10-32 OR M5 PORT OPTION
A	3.20	4.00
B	33.00	32.50
C	40.60	39.80
D	48.20	48.80
E	4.00	3.65
F	4.00	4.35
G	4.00	3.65



Direct solenoid and solenoid pilot operated valves 8 mm valve

Function	Port size	Flow [Max]	Individual mounting	Series
5/2	M3,M5	230 NI/min	Subbase non plug-in	

OPERATIONAL BENEFITS

1. 8 mm valve – solenoid pilot operated.
2. Balanced spool, immune to variations of pressure.
3. Bonded spool with minimum friction.
4. Wiping effect, eliminates sticking.
5. Pilot valve with balanced poppet, high flow, short and consistent response times

HOW TO ORDER

SINGLE PRESSURE MODELS

Port size	Pilot air	Single solenoid	Double solenoid
Valve less base	Internal	23A-AD-000-Exx-Rxxx-xxx	23A-BD-000-Exx-Rxxx-xxx
	External	23A-AE-000-Exx-Rxxx-xxx	23A-BE-000-Exx-Rxxx-xxx
M3	Internal	23A-AD-C1B-Exx-Rxxx-xxx	23A-BD-C1B-Exx-Rxxx-xxx
	External	23A-AE-C1B-Exx-Rxxx-xxx	23A-BE-C1B-Exx-Rxxx-xxx
M5	Internal	23A-AD-B1B-Exx-Rxxx-xxx	23A-BD-B1B-Exx-Rxxx-xxx
	External	23A-AE-B1B-Exx-Rxxx-xxx	23A-BE-B1B-Exx-Rxxx-xxx

DUAL PRESSURE MODELS (INTERNAL PILOT ONLY)

Port size	Pilot air	Single solenoid	Double solenoid
Valve less base	Internal from port #3	23A-CJ-000-Exx-Rxxx-xxx	23A-DJ-000-Exx-Rxxx-xxx
	Internal from port #5	23A-CK-000-Exx-Rxxx-xxx	23A-DK-000-Exx-Rxxx-xxx
M3	Internal from port #3	23A-CJ-C1B-Exx-Rxxx-xxx	23A-DJ-C1B-Exx-Rxxx-xxx
	Internal from port #5	23A-CK-C1B-Exx-Rxxx-xxx	23A-DK-C1B-Exx-Rxxx-xxx
M5	Internal from port #3	23A-CJ-B1B-Exx-Rxxx-xxx	23A-DJ-B1B-Exx-Rxxx-xxx
	Internal from port #5	23A-CK-B1B-Exx-Rxxx-xxx	23A-DK-B1B-Exx-Rxxx-xxx

SOLENOID OPERATOR >

XX Pilot type		XX Voltage	X Lead wire length	X Manual operator	XX Electrical connection
M2	Muffled exhaust	DB 24VDC (1.0W)	0* No lead wire	0 No manual operator	BA Flying leads
P2	Piped exhaust (M3)	DC 24VDC (1.8W)	A 45 cm	1 Recessed non locking	BB Flying leads w/ LED
		DD 24VDC (2.5W)	B 60 cm	3 Extended non locking	RA Mini JAC solenoid plug-in
		DE 24VDC (3.0W)	C 90 cm		RB Mini JAC sol. plug-in w/ LED
		DF 24VDC (4.0W)			TA JST solenoid plug-in
		DH 12VDC (1.0W)			TB JST sol. plug-in w/ LED
		DJ 12VDC (1.8W)			
		DK 12VDC (2.5W)			
		DL 12VDC (3.0W)			
		DM 12VDC (4.0W)			

* Not available for flying lead connectors.
Note: For pilot exhaust out main exhaust, Mod. 0353 is required.
Must use M7 or P7 pilot type.

** Other options available, see page 397.

OPTIONS

23A-XX-XxX-Exx-Rxxx-xxx

- 1 Individual base – Side ports
- 2 Individual base – Bottom ports (no side ports)



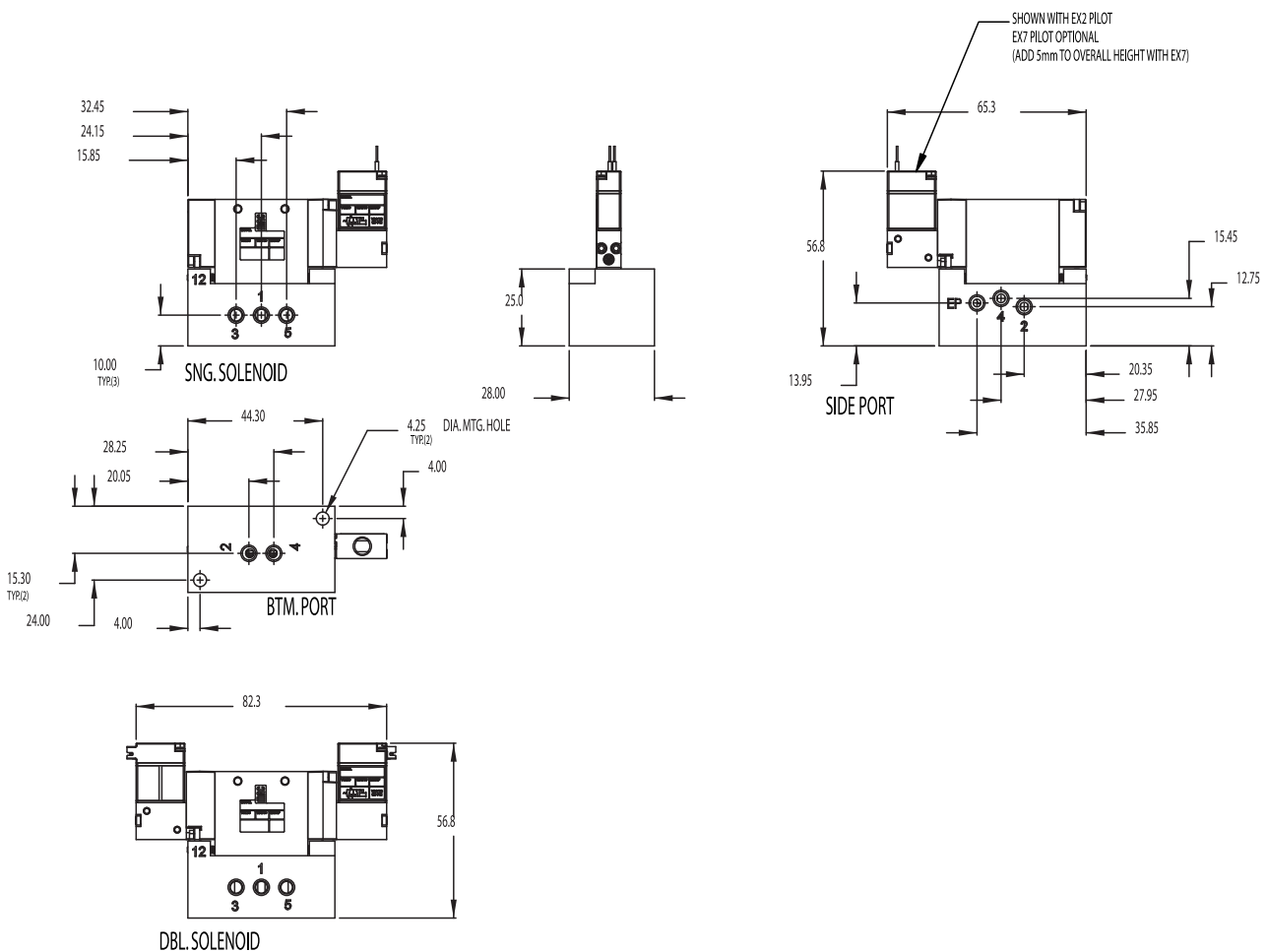
31
33
34
36
32
37
38
52
53
54
67
68
69
41
43
44
23
24
46
42
47
48P
48
400
92
83
93
ISO 01
ISO 02
ISO 1
ISO 2
ISO 3

TECHNICAL DATA

Fluid :	Compressed air, vacuum, inert gases
Pressure range :	Internal pilot: Single solenoid air return: 2 to 8 bar Single solenoid spring return: 2,7 to 8 bar Double solenoid: 1,3 to 8 bar External pilot: vacuum to 8 bar
Lubrication :	Not required, if used select a medium aniline point lubricant (between 80°C and 100°C)
Filtration :	40 µ
Flow :	230 NI/min
Coil :	Class A (#26 AWG x 18), continuous duty
Voltage range :	-15% to +10% of nominal voltage
Power :	4.0W, 3.0W, 2.5W, 1.8W, 1.0W

DIMENSIONS

Dimensions shown are metric (mm)





Direct solenoid and solenoid pilot operated valves 8 mm valve

Function	Port size	Flow [Max]	Manifold mounting	Series
5/2	M3,M5	230 NI/min	Manifold base non plug-in	

OPERATIONAL BENEFITS

1. 8 mm valve – solenoid pilot operated.
2. Balanced spool, immune to variations of pressure.
3. Bonded spool with minimum friction.
4. Wiping effect, eliminates sticking.
5. Pilot valve with balanced poppet, high flow, short and consistent response times



HOW TO ORDER

SINGLE PRESSURE MODELS

Port size	Pilot air	Single solenoid	Double solenoid
Valve only	Internal	23A-AD-000-Exx-Rxxx-xxx	23A-BD-000-Exx-Rxxx-xxx
	External	23A-AE-000-Exx-Rxxx-xxx	23A-BE-000-Exx-Rxxx-xxx
M3	Internal	23A-AD-CAB-Exx-Rxxx-xxx	23A-BD-CAB-Exx-Rxxx-xxx
	External	23A-AE-CAB-Exx-Rxxx-xxx	23A-BE-CAB-Exx-Rxxx-xxx
M5	Internal	23A-AD-BAB-Exx-Rxxx-xxx	23A-BD-BAB-Exx-Rxxx-xxx
	External	23A-AE-BAB-Exx-Rxxx-xxx	23A-BE-BAB-Exx-Rxxx-xxx

DUAL PRESSURE MODELS (INTERNAL PILOT ONLY)

Port size	Pilot air	Single solenoid	Double solenoid
Valve only	Internal from port #3	23A-CJ-000-Exx-Rxxx-xxx	23A-DJ-000-Exx-Rxxx-xxx
	Internal from port #5	23A-CK-000-Exx-Rxxx-xxx	23A-DK-000-Exx-Rxxx-xxx
M3	Internal from port #3	23A-CJ-CAB-Exx-Rxxx-xxx	23A-DJ-CAB-Exx-Rxxx-xxx
	Internal from port #5	23A-CK-CAB-Exx-Rxxx-xxx	23A-DK-CAB-Exx-Rxxx-xxx
M5	Internal from port #3	23A-CJ-BAB-Exx-Rxxx-xxx	23A-DJ-BAB-Exx-Rxxx-xxx
	Internal from port #5	23A-CK-BAB-Exx-Rxxx-xxx	23A-DK-BAB-Exx-Rxxx-xxx

SOLENOID OPERATOR ➤

E **XX-RXXX-XXX** **

XX	Pilot type	XX	Voltage	X	Lead wire length	X	Manual operator	XX	Electrical connection
M2	Muffled exhaust	DB	24VDC (1.0W)	0*	No lead wire	0	No manual operator	BA	Flying leads
P2	Piped exhaust (M3)	DC	24VDC (1.8W)	A	45 cm	1	Recessed non locking	BB	Flying leads w/ LED
		DD	24VDC (2.5W)	B	60 cm	3	Extended non locking	RA	Mini JAC solenoid plug-in
		DE	24VDC (3.0W)	C	90 cm			RB	Mini JAC sol. plug-in w/ LED
		DF	24VDC (4.0W)					TA	JST solenoid plug-in
		DH	12VDC (1.0W)					TB	JST sol. plug-in w/ LED
		DJ	12VDC (1.8W)						
		DK	12VDC (2.5W)						
		DL	12VDC (3.0W)						
		DM	12VDC (4.0W)						

* Not available for flying lead connectors.
Note: For pilot exhaust out main exhaust, Mod. 0353 is required.
Must use M7 or P7 pilot type.

** Other options available, see page 397.

OPTIONS

23A-XX-X_AX-Exx-Rxxx-xxx

- A Manifold base – Side cylinder ports
- B Manifold base – Bottom cylinder ports (no side cylinder ports)

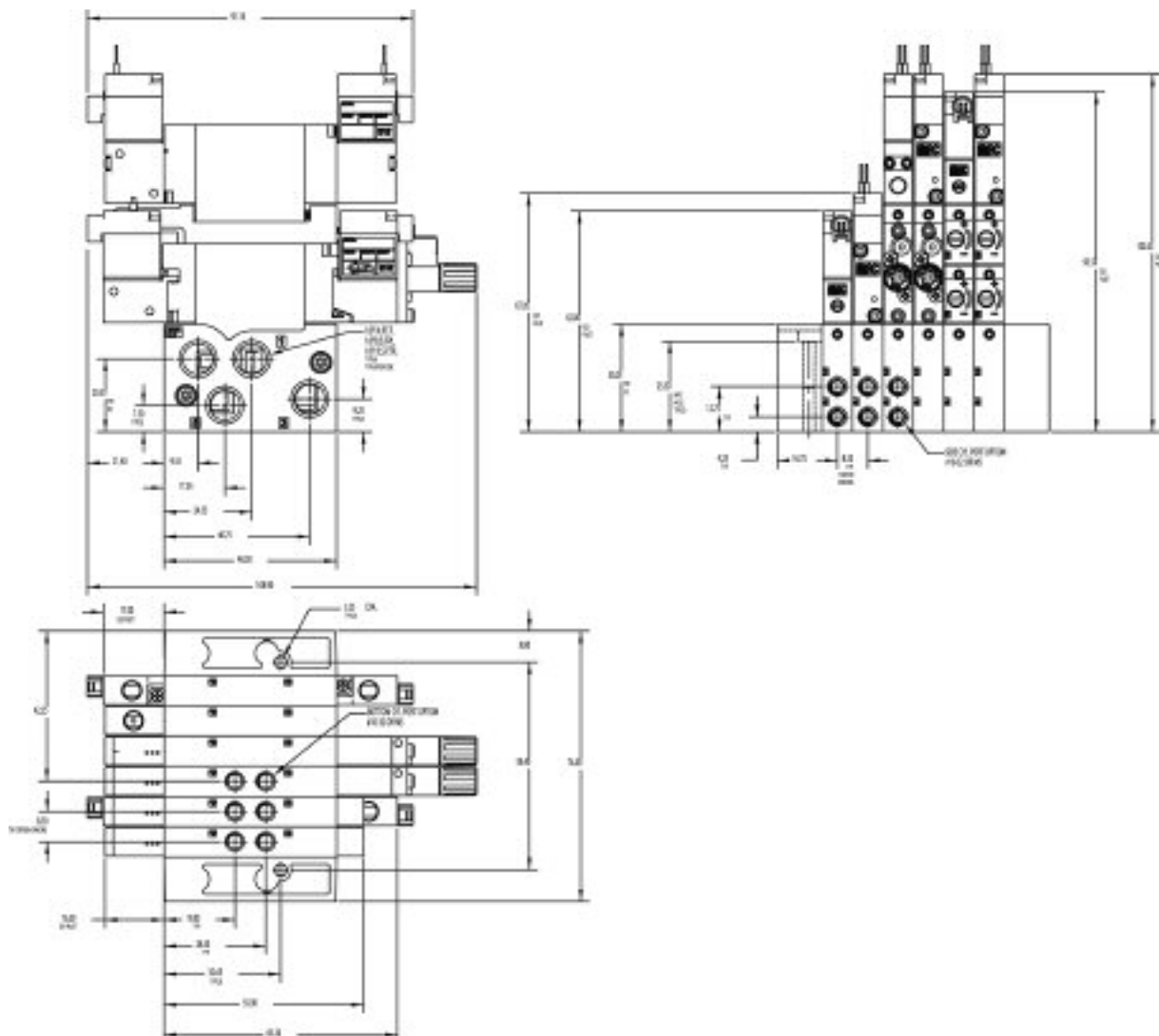
31
33
34
36
32
37
38
52
53
54
67
68
69
41
43
44
23
24
46
42
47
48P
48
400
92
83
93
ISO 01
ISO 02
ISO 1
ISO 2
ISO 3

TECHNICAL DATA

Fluid :	Compressed air, vacuum, inert gases
Pressure range :	Internal pilot: Single solenoid air return: 2 to 8 bar Single solenoid spring return: 2,7 to 8 bar Double solenoid: 1,3 to 8 bar External pilot: vacuum to 8 bar
Lubrication :	Not required, if used select a medium aniline point lubricant (between 80°C and 100°C)
Filtration :	40 µ
Flow :	230 NI/min
Coil :	Class A (#26 AWG x 18), continuous duty
Voltage range :	-15% to +10% of nominal voltage
Power :	4.0W, 3.0W, 2.5W, 1.8W, 1.0W

DIMENSIONS

Dimensions shown are metric (mm)



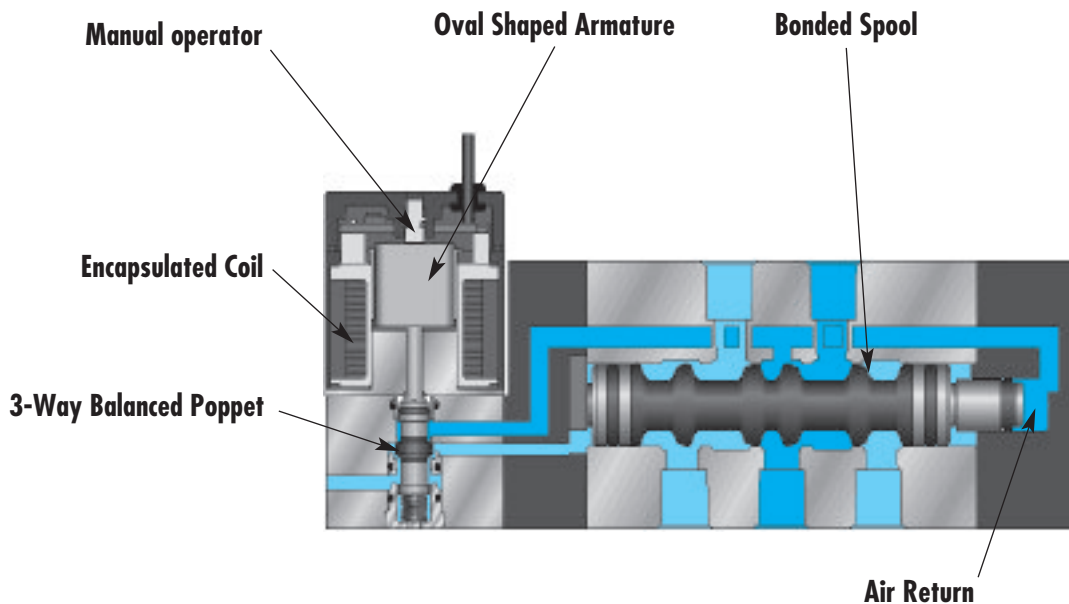
Direct solenoid and solenoid pilot operated valves 10 mm valve

Individual mounting

Inline	Sub-base Non plug-in	Sub-base Plug-in
--------	-------------------------	---------------------

Manifold mounting

Manifold-base Non plug-in	Manifold-base Plug-in
------------------------------	--------------------------



SERIES FEATURES

- Patented high force MACSOLENOID® for fastest possible response times.
- Bonded balanced poppet for high flow, precise repeatability, and consistent operation.
- Extremely high cycle rate capability.
- Use on lube or non-lube service.
- 10 mm solenoid pilot operated valve.
- Very fast and repeatable response times.

Série

31

33

34

36

32

37

38

52

53

54

67

68

69

41

43

44

23

24

46

42

47

48P

48

400

92

83

93

ISO 01

ISO 02

ISO 1

ISO 2

ISO 3



Direct solenoid and solenoid pilot operated valves 10 mm valve

Function	Port size	Flow [Max]	Individual mounting	Series
5/2, 5/3	M5	250 NI/min	Inline	

OPERATIONAL BENEFITS

1. 10 mm valve – solenoid pilot operated.
2. Balanced spool, immune to variations of pressure.
3. Bonded spool with minimum friction.
4. Wiping effect, eliminates sticking.
5. Pilot valve with balanced poppet, high flow, short and consistent response time



HOW TO ORDER

SINGLE PRESSURE MODELS

Port size	Pilot air	5/2 Single solenoid	5/2 Double solenoid	5/3 Closed center	5/3 Open center
M5	Internal	24A-A1-B00-E xx -R xxx - xxx	24A-B1-B00-E xx -R xxx - xxx	24A-E1-B00-E xx -R xxx - xxx	24A-F1-B00-E xx -R xxx - xxx
	External	24A-A4-B00-E xx -R xxx - xxx	24A-B4-B00-E xx -R xxx - xxx	24A-E4-B00-E xx -R xxx - xxx	24A-F4-B00-E xx -R xxx - xxx

DUAL PRESSURE MODELS (INTERNAL PILOT ONLY)

Port size	Pilot air	5/2 Single solenoid	5/2 Double solenoid	5/3 Pressure center
M5	Internal from port #3	24A-C2-B00-E xx -R xxx - xxx	24A-D2-B00-E xx -R xxx - xxx	24A-G2-B00-E xx -R xxx - xxx
	Internal from port #5	24A-C3-B00-E xx -R xxx - xxx	24A-D3-B00-E xx -R xxx - xxx	24A-G3-B00-E xx -R xxx - xxx

SOLENOID OPERATOR ►

E **XX-RXXX-XXX****

XX	Pilot type	XX	Voltage	X	Lead wire length	X	Manual operator	XX	Electrical connection
M2	Muffled exhaust	DB	24V=/1.0W	0*	No lead wire	0	No manual operator	BA	Flying leads
P2	Piped exhaust (M3)	DC	24V=/1.8W	A	45 cm	1	Recessed non locking	BB	Flying leads w/ LED
		DD	24V=/2.5W	B	60 cm	3	Extended non locking	RA	Mini JAC solenoid plug-in
		DF	24V=/4.0W	C	90 cm			RB	Mini JAC sol. plug-in w/ LED
		DH	12V=/1.0W					TA	JST solenoid plug-in
		DJ	12V=/1.8W					TB	JST sol. plug-in w/ LED
		DK	12V=/2.5W						
		DM	12V=/4.0W						

* Not available for flying lead connectors

** Other options available, see page 397.

31
33
34
36
32
37
38
52
53
54
67
68
69
41
43
44
23
24
46
42
47
48P
48
400
92
83
93
ISO 01
ISO 02
ISO 1
ISO 2
ISO 3



100%
OF
PRODUCTION
TESTED
100%

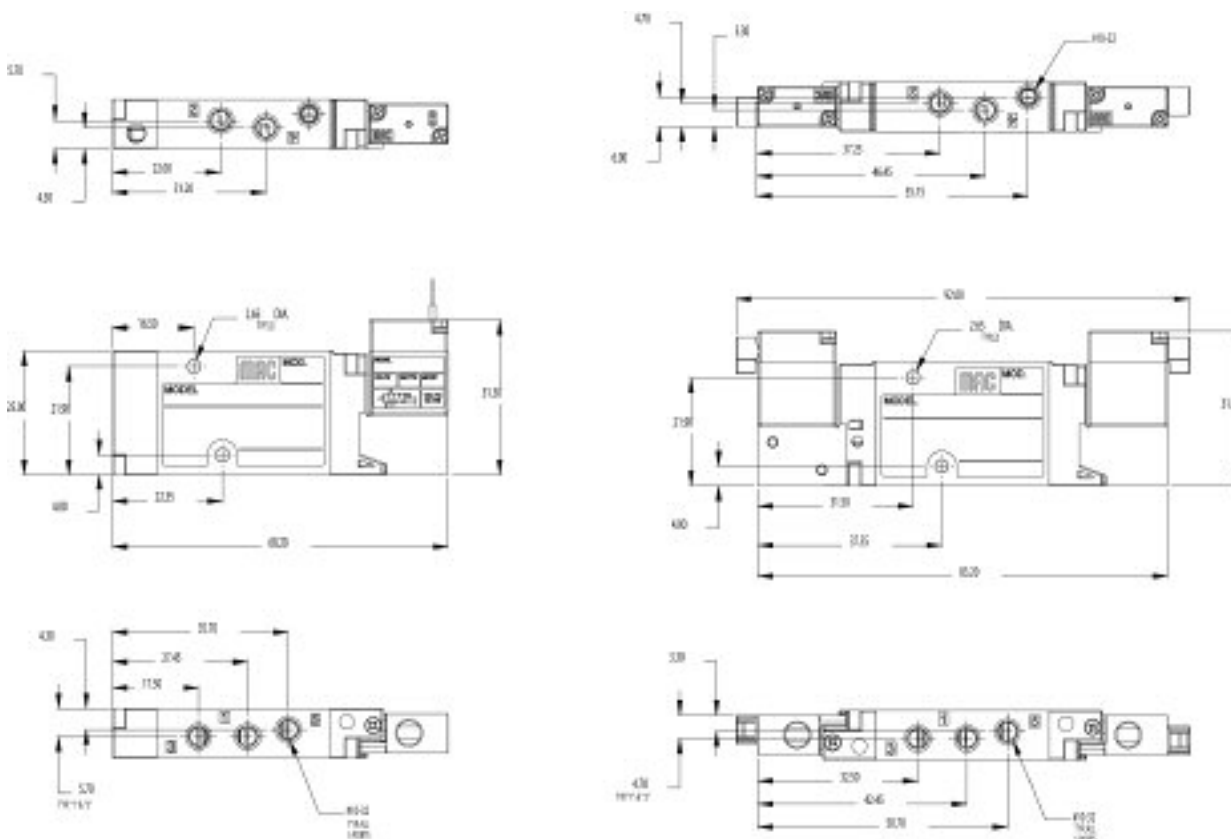
WARRANTY
18
MONTHS

TECHNICAL DATA

Fluid :	Compressed air, vacuum, inert gases
Pressure range :	2 position internal pilot: Single solenoid: 2 to 8 bar Double solenoid: 1.3 to 8 bar 2/3 position external pilot: vacuum to 8 bar 3 position internal pilot: 2.7 to 8 bar
Lubrication :	Not required, if used select a medium aniline point lubricant (between 80°C and 100°C)
Filtration :	40 μ
Flow :	0.25 Cv / 250 NI/min
Coil :	Class A (#26 AWG x 18), continuous duty
Voltage range :	-15% to +10% of nominal voltage
Power :	4.0W, 2.5W, 1.8W, 1.0W

DIMENSIONS

Dimensions shown are metric (mm)





Direct solenoid and solenoid pilot operated valves 10 mm valve

Function	Port size	Flow [Max]	Individual mounting	Series
5/2, 5/3	M5, M7	370 NI/min	Sub-base non plugin	

OPERATIONAL BENEFITS

1. 10 mm valve – solenoid pilot operated.
2. Balanced spool, immune to variations of pressure.
3. Bonded spool with minimum friction.
4. Wiping effect, eliminates sticking.
5. Pilot valve with balanced poppet, high flow, short and consistent response times



HOW TO ORDER

SINGLE PRESSURE MODELS (SIDE PORTS)

Port size	Pilot air	5/2 Single solenoid	5/2 Double solenoid	5/3 Closed center	5/3 Open center
Valve only	Internal	24A-AD-000-Exx-Rxxx-xxx	24A-B1-B00-Exx-Rxxx-xxx	24A-ED-000-Exx-Rxxx-xxx	24A-FD-000-Exx-Rxxx-xxx
	External	24A-AE-000-Exx-Rxxx-xxx	24A-BE-000-Exx-Rxxx-xxx	24A-EE-000-Exx-Rxxx-xxx	24A-FE-000-Exx-Rxxx-xxx
M5	Internal	24A-AD-B1B-Exx-Rxxx-xxx	24A-BD-B1B-Exx-Rxxx-xxx	24A-ED-B1B-Exx-Rxxx-xxx	24A-FD-B1B-Exx-Rxxx-xxx
	External	24A-AE-B1B-Exx-Rxxx-xxx	24A-BE-B1B-Exx-Rxxx-xxx	24A-EE-B1B-Exx-Rxxx-xxx	24A-FE-B1B-Exx-Rxxx-xxx
M7	Internal	24A-AD-C1B-Exx-Rxxx-xxx	24A-BD-C1B-Exx-Rxxx-xxx	24A-ED-C1B-Exx-Rxxx-xxx	24A-FD-C1B-Exx-Rxxx-xxx
	External	24A-AE-C1B-Exx-Rxxx-xxx	24A-BE-C1B-Exx-Rxxx-xxx	24A-EE-C1B-Exx-Rxxx-xxx	24A-FE-C1B-Exx-Rxxx-xxx

DUAL PRESSURE MODELS (INTERNAL PILOT ONLY – SIDE PORTS)

Port size	Pilot air	5/2 Single solenoid	5/2 Double solenoid	5/3 Pressure center
Valve only	Internal from port #3	24A-CJ-000-Exx-Rxxx-xxx	24A-DJ-000-Exx-Rxxx-xxx	24A-GJ-000-Exx-Rxxx-xxx
	Internal from port #5	24A-CK-000-Exx-Rxxx-xxx	24A-DK-000-Exx-Rxxx-xxx	24A-GK-000-Exx-Rxxx-xxx
M5	Internal from port #3	24A-CJ-B1B-Exx-Rxxx-xxx	24A-DJ-B1B-Exx-Rxxx-xxx	24A-GJ-B1B-Exx-Rxxx-xxx
	Internal from port #5	24A-CK-B1B-Exx-Rxxx-xxx	24A-DK-B1B-Exx-Rxxx-xxx	24A-GK-B1B-Exx-Rxxx-xxx
M7	Internal from port #3	24A-CJ-C1B-Exx-Rxxx-xxx	24A-DJ-C1B-Exx-Rxxx-xxx	24A-GJ-C1B-Exx-Rxxx-xxx
	Internal from port #5	24A-CK-C1B-Exx-Rxxx-xxx	24A-DK-C1B-Exx-Rxxx-xxx	24A-GK-C1B-Exx-Rxxx-xxx

SOLENOID OPERATOR >

E **XX-RXXX-XXX****

XX	Pilot type	XX	Voltage	X	Lead wire length	X	Manual operator	XX	Electrical connection
M2	Muffled exhaust	DB	24V=/1.0W	0*	No lead wire	0	No manual operator	BA	Flying leads
P2	Piped exhaust (M3)	DC	24V=/1.8W	A	45 cm	1	Recessed non locking	BB	Flying leads w/ LED
		DD	24V=/2.5W	B	60 cm	3	Extended non locking	RA	Mini JAC solenoid plug-in
		DF	24V=/4.0W	C	90 cm			RB	Mini JAC sol. plug-in w/ LED
		DH	12V=/1.0W					TA	JST solenoid plug-in
		DJ	12V=/1.8W					TB	JST sol. plug-in w/ LED
		DK	12V=/2.5W						
		DM	12V=/4.0W						

* Not available for flying lead connectors

** Other options available, see page 397.

OPTIONS

24A-XX -XxX-Exx-Rxxx-xxx

- 1 Individual base – Side ports
- 2 Individual base – Bottom ports (no side ports)

31
33
34
36
32
37
38
52
53
54
67
68
69
41
43
44
23
24
46
42
47
48P
48
400
92
83
93
ISO 01
ISO 02
ISO 1
ISO 2
ISO 3



100%
OF
PRODUCTION
TESTED
100%

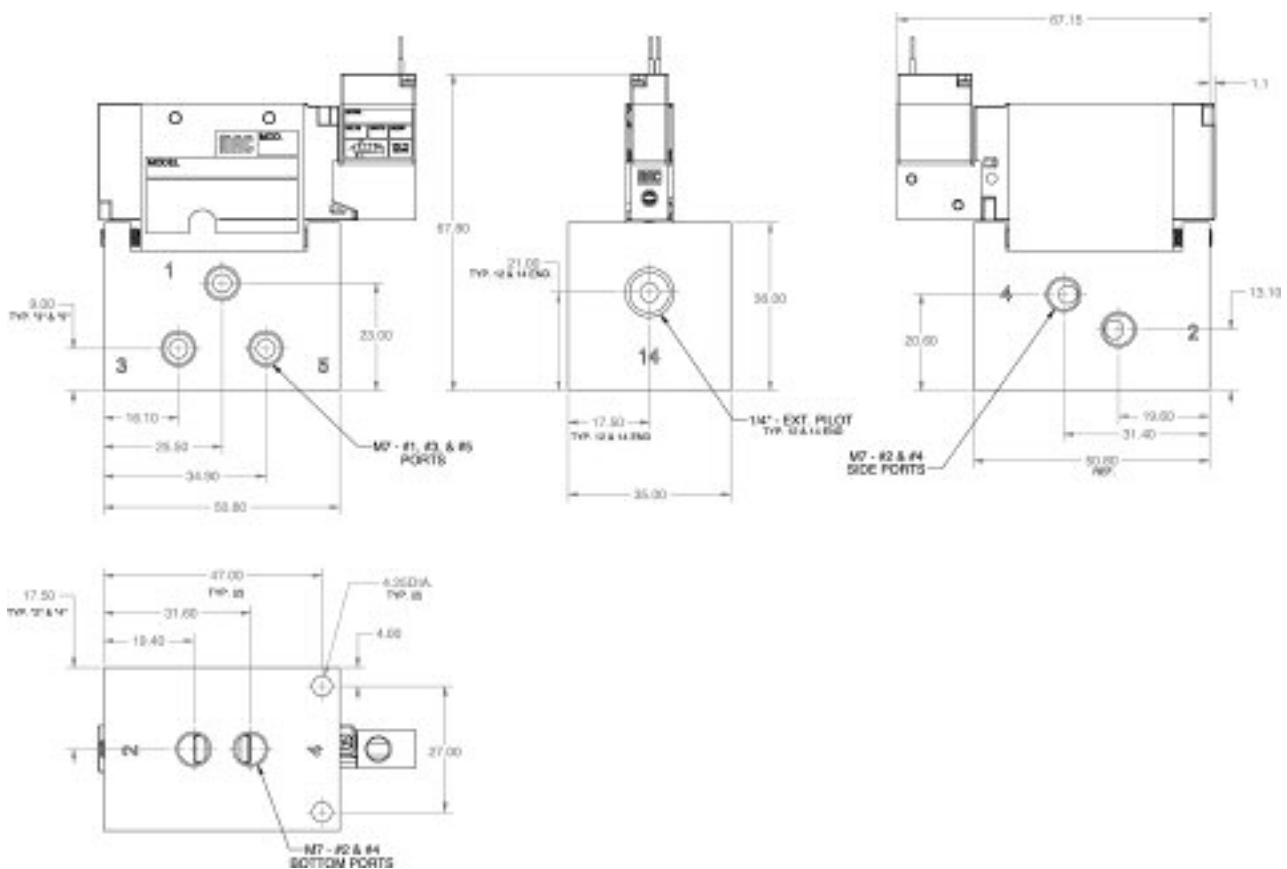
WARRANTY
18
MONTHS

TECHNICAL DATA

Fluid :	Compressed air, vacuum, inert gases
Pressure range :	2 position internal pilot: Single solenoid: 2 to 8 bar Double solenoid: 1.3 to 8 bar 2/3 position external pilot: vacuum to 8 bar 3 position internal pilot: 2.7 to 8 bar
Lubrication :	Not required, if used select a medium aniline point lubricant (between 80°C and 100°C)
Filtration :	40 µ
Flow :	0.37 Cv / 370 NL/min
Coil :	Class A (#26 AWG x 18), continuous duty
Voltage range :	-15% to +10% of nominal voltage
Power :	4.0W, 3.0W, 2.5W, 1.8W, 1.0W

DIMENSIONS

Dimensions shown are metric (mm)





Direct solenoid and solenoid pilot operated valves 10 mm valve

Function	Port size	Flow [Max]	Individual mounting	Series
5/2, 5/3	M5, M7	370 NI/min	Sub-base plug-in	

OPERATIONAL BENEFITS

1. 10 mm valve – solenoid pilot operated.
2. Balanced spool, immune to variations of pressure.
3. Bonded spool with minimum friction.
4. Wiping effect, eliminates sticking.
5. Pilot valve with balanced poppet, high flow, short and consistent response times



HOW TO ORDER

SINGLE PRESSURE MODELS (SIDE PORTS)

Port size	Pilot air	5/2 Single solenoid	5/2 Double solenoid	5/3 Closed center	5/3 Open center
Valve only	Internal	24A-AA-000-Exx-RxxP-xxx	24A-BA-000-Exx-RxxP-xxx	24A-EA-000-Exx-RxxP-xxx	24A-FA-000-Exx-RxxP-xxx
	External	24A-AB-000-Exx-RxxP-xxx	24A-BB-000-Exx-RxxP-xxx	24A-EB-000-Exx-RxxP-xxx	24A-FB-000-Exx-RxxP-xxx
M5	Internal	24A-AA-B1A-Exx-RxxP-xxx	24A-BA-B1A-Exx-RxxP-xxx	24A-EA-B1A-Exx-RxxP-xxx	24A-FA-B1A-Exx-RxxP-xxx
	External	24A-AB-B1A-Exx-RxxP-xxx	24A-BB-B1A-Exx-RxxP-xxx	24A-EB-B1A-Exx-RxxP-xxx	24A-FB-B1A-Exx-RxxP-xxx
M7	Internal	24A-AA-C1A-Exx-RxxP-xxx	24A-BA-C1A-Exx-RxxP-xxx	24A-EA-C1A-Exx-RxxP-xxx	24A-FA-C1A-Exx-RxxP-xxx
	External	24A-AB-C1A-Exx-RxxP-xxx	24A-BB-C1A-Exx-RxxP-xxx	24A-EB-C1A-Exx-RxxP-xxx	24A-FB-C1A-Exx-RxxP-xxx

DUAL PRESSURE MODELS (INTERNAL PILOT ONLY – SIDE PORTS)

Port size	Pilot air	5/2 Single solenoid	5/2 Double solenoid	5/3 Pressure center
Valve only	Internal from port #3	24A-CG-000-Exx-RxxP-xxx	24A-DG-000-Exx-RxxP-xxx	24A-GG-000-Exx-RxxP-xxx
	Internal from port #5	24A-CK-000-Exx-RxxP-xxx	24A-DH-000-Exx-RxxP-xxx	24A-GH-000-Exx-RxxP-xxx
M5	Internal from port #3	24A-CG-B1A-Exx-RxxP-xxx	24A-DG-B1A-Exx-RxxP-xxx	24A-GG-B1A-Exx-RxxP-xxx
	Internal from port #5	24A-CH-B1A-Exx-RxxP-xxx	24A-DH-B1A-Exx-RxxP-xxx	24A-GH-B1A-Exx-RxxP-xxx
M7	Internal from port #3	24A-CG-C1A-Exx-RxxP-xxx	24A-DG-C1A-Exx-RxxP-xxx	24A-GG-C1A-Exx-RxxP-xxx
	Internal from port #5	24A-CH-C1A-Exx-RxxP-xxx	24A-DH-C1A-Exx-RxxP-xxx	24A-GH-C1A-Exx-RxxP-xxx

SOLENOID OPERATOR >

E **XX-RXXX-XXX***

XX	Pilot type	XX	Voltage	X	Lead wire length	X	Manual operator	XX	Electrical connection
M2	Muffled exhaust	DB	24V=/1.0W	P	Base plug-in	0	No manual operator	FA	Base plug-in
P2	Piped exhaust (M3)	DC	24V=/1.8W			1	Recessed non locking	FB	Base plug-in w/ LED
		DD	24V=/2.5W			3	Extended non locking	FC	Base plug-in w/MOV
		DF	24V=/4.0W					FD	Base plug-in w/MOV and LED
		DH	12V=/1.0W						
		DJ	12V=/1.8W						
		DK	12V=/2.5W						
		DM	12V=/4.0W						

* Other options available, see page 397.

OPTIONS

24A-XX -XxX-Exx-Rxxx-xxx

- 1 Individual base – Side ports
- 2 Individual base – Bottom ports (no side ports)

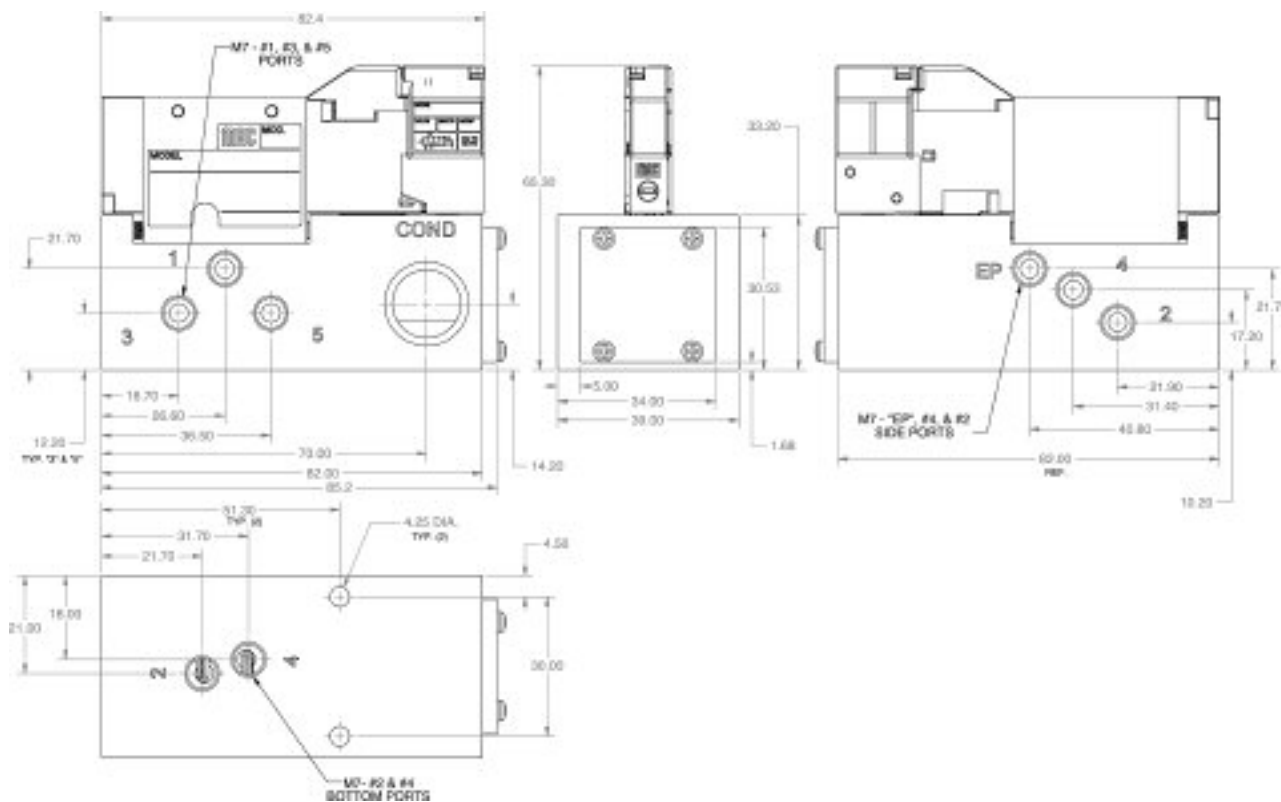
31
33
34
36
32
37
38
52
53
54
67
68
69
41
43
44
23
24
46
42
47
48P
48
400
92
83
93
ISO 01
ISO 02
ISO 1
ISO 2
ISO 3

TECHNICAL DATA

Fluid :	Compressed air, vacuum, inert gases
Pressure range :	2 position internal pilot: Single solenoid: 2 to 8 bar Double solenoid: 1.3 to 8 bar 2/3 position external pilot: vacuum to 8 bar 3 position internal pilot: 2.7 to 8 bar
Lubrication :	Not required, if used select a medium aniline point lubricant (between 80°C and 100°C)
Filtration :	40 µ
Flow :	0.37 Cv / 370 Nl/min
Coil :	Class A (#26 AWG x 18), continuous duty
Voltage range :	-15% to +10% of nominal voltage
Power :	4.0W, 3.0W, 2.5W, 1.8W, 1.0W

DIMENSIONS

Dimensions shown are metric (mm)



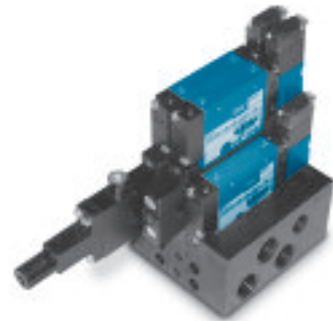


Direct solenoid and solenoid pilot operated valves 10 mm valve

Function	Port size	Flow [Max]	Manifold mounting	Series
5/2, 5/3	M5, M7	400 NI/min	Manifold base non plugin	

OPERATIONAL BENEFITS

1. 10 mm valve – solenoid pilot operated.
2. Balanced spool, immune to variations of pressure.
3. Bonded spool with minimum friction.
4. Wiping effect, eliminates sticking.
5. Pilot valve with balanced poppet, high flow, short and consistent response times



HOW TO ORDER

SINGLE PRESSURE MODELS (SIDE PORTS)

Port size	Pilot air	5/2 Single solenoid	5/2 Double solenoid	5/3 Closed center	5/3 Open center
Valve only	Internal	24A-AD-000-Exx-Rxxx-xxx	24A-B1-B00-Exx-Rxxx-xxx	24A-ED-000-Exx-Rxxx-xxx	24A-FD-000-Exx-Rxxx-xxx
	External	24A-AE-000-Exx-Rxxx-xxx	24A-BE-000-Exx-Rxxx-xxx	24A-EE-000-Exx-Rxxx-xxx	24A-FE-000-Exx-Rxxx-xxx
M5	Internal	24A-AD-BAB-Exx-Rxxx-xxx	24A-BD-BAB-Exx-Rxxx-xxx	24A-ED-BAB-Exx-Rxxx-xxx	24A-FD-BAB-Exx-Rxxx-xxx
	External	24A-AE-BAB-Exx-Rxxx-xxx	24A-BE-BAB-Exx-Rxxx-xxx	24A-EE-BAB-Exx-Rxxx-xxx	24A-FE-BAB-Exx-Rxxx-xxx
M7	Internal	24A-AD-CAB-Exx-Rxxx-xxx	24A-BD-CAB-Exx-Rxxx-xxx	24A-ED-CAB-Exx-Rxxx-xxx	24A-FD-CAB-Exx-Rxxx-xxx
	External	24A-AE-CAB-Exx-Rxxx-xxx	24A-BE-CAB-Exx-Rxxx-xxx	24A-EE-CAB-Exx-Rxxx-xxx	24A-FE-CAB-Exx-Rxxx-xxx

DUAL PRESSURE MODELS (INTERNAL PILOT ONLY – SIDE PORTS)

Port size	Pilot air	5/2 Single solenoid	5/2 Double solenoid	5/3 Pressure center
Valve only	Internal from port #3	24A-CJ-000-Exx-Rxxx-xxx	24A-DJ-000-Exx-Rxxx-xxx	24A-GJ-000-Exx-Rxxx-xxx
	Internal from port #5	24A-CK-000-Exx-Rxxx-xxx	24A-DK-000-Exx-Rxxx-xxx	24A-GK-000-Exx-Rxxx-xxx
M5	Internal from port #3	24A-CJ-BAB-Exx-Rxxx-xxx	24A-DJ-BAB-Exx-Rxxx-xxx	24A-GJ-BAB-Exx-Rxxx-xxx
	Internal from port #5	24A-CK-BAB-Exx-Rxxx-xxx	24A-DK-BAB-Exx-Rxxx-xxx	24A-GK-BAB-Exx-Rxxx-xxx
M7	Internal from port #3	24A-CJ-CAB-Exx-Rxxx-xxx	24A-DJ-CAB-Exx-Rxxx-xxx	24A-GJ-CAB-Exx-Rxxx-xxx
	Internal from port #5	24A-CK-CAB-Exx-Rxxx-xxx	24A-DK-CAB-Exx-Rxxx-xxx	24A-GK-CAB-Exx-Rxxx-xxx

SOLENOID OPERATOR >

E **XX-RXXX-XXX****

XX	Pilot type	XX	Voltage	X	Lead wire length	X	Manual operator	XX	Electrical connection
M2	Muffled exhaust	DB	24V=/1.0W	0*	No lead wire	0	No manual operator	BA	Flying leads
P2	Piped exhaust (M3)	DC	24V=/1.8W	A	45 cm	1	Recessed non locking	BB	Flying leads w/ LED
		DD	24V=/2.5W	B	60 cm	3	Extended non locking	RA	Mini JAC solenoid plug-in
		DF	24V=/4.0W	C	90 cm			RB	Mini JAC sol. plug-in w/ LED
		DH	12V=/1.0W					TA	JST solenoid plug-in
		DJ	12V=/1.8W					TB	JST sol. plug-in w/ LED
		DK	12V=/2.5W						
		DM	12V=/4.0W						

** Other options available, see page 397.

OPTIONS

End plate kit required (Port size 1/4"): M-24002-01-01P (internal pilot) – M-24002-02-01P (external pilot)
Note : For pilot exhaust out main exhaust mod. 0353 is required

24A-XX-XxX-Exx-Rxxx-xxx

- A Manifold base – Side cylinder ports
- B Manifold base – Bottom cylinder ports (no side cylinder ports)

31
33
34
36
32
37
38
52
53
54
67
68
69
41
43
44
23
24
46
42
47
48P
48
400
92
83
93
ISO 01
ISO 02
ISO 1
ISO 2
ISO 3



100%
OF
PRODUCTION
TESTED
100%

WARRANTY
18
MONTHS

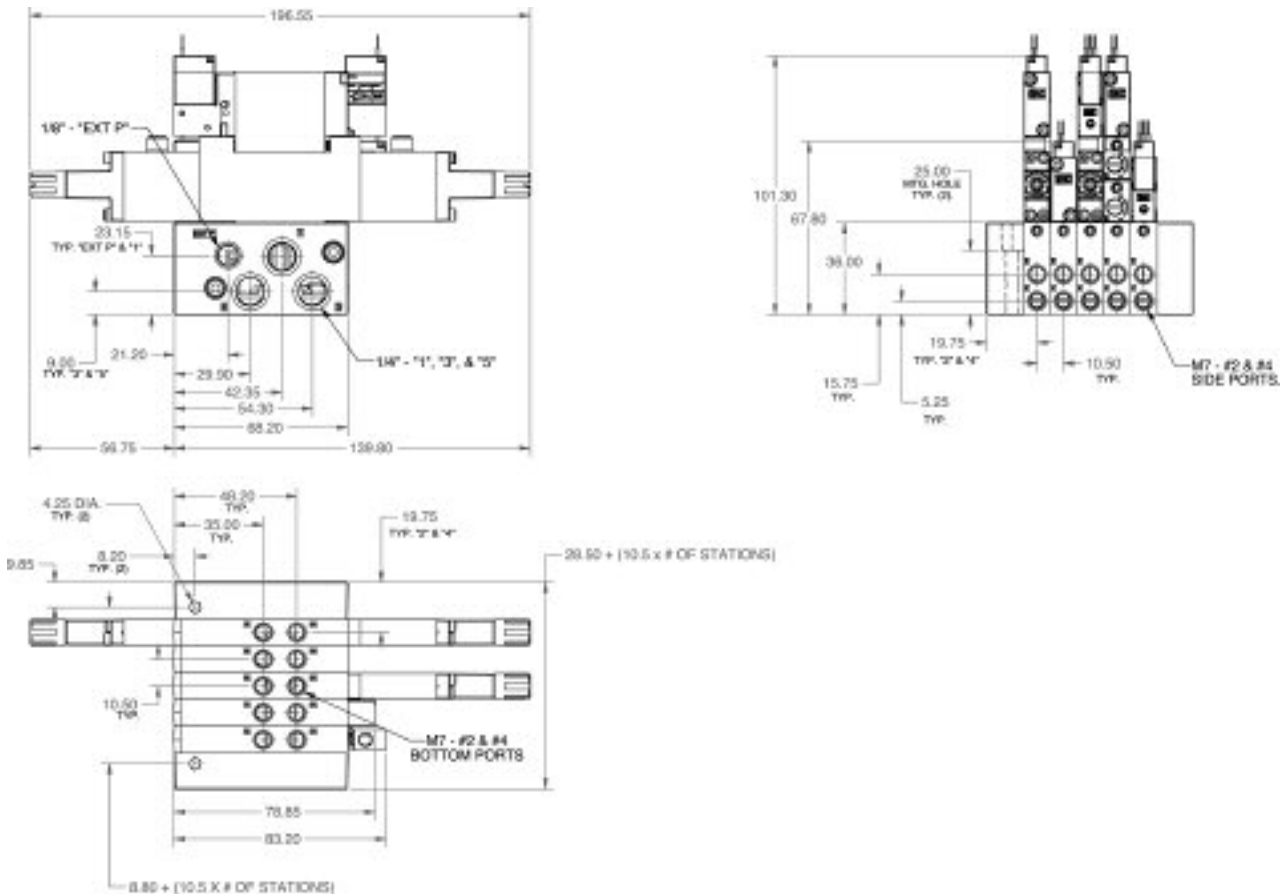
TECHNICAL DATA

Fluid :	Compressed air, vacuum, inert gases
Pressure range :	2 position internal pilot: Single solenoid: 2 to 8 bar Double solenoid: 1.3 to 8 bar 2/3 position external pilot: vacuum to 8 bar 3 position internal pilot: 2.7 to 8 bar
Lubrication :	Not required, if used select a medium aniline point lubricant (between 80°C and 100°C)
Filtration :	40 µ
Flow :	0.4 Cv / 400 NI/min
Coil :	Class A (#26 AWG x 18), continuous duty
Voltage range :	-15% to +10% of nominal voltage
Power :	4.0W, 3.0W, 2.5W, 1.8W, 1.0W

Spare parts: • Blank station cover plate: M-24004 • Inlet isolator: 28568
• Exhaust isolator (Port #5): 28569 • Exhaust isolator (Port #3): 28570

DIMENSIONS

Dimensions shown are metric (mm)





Direct solenoid and solenoid pilot operated valves 10 mm valve

Function	Port size	Flow [Max]	Manifold mounting	Series
5/2, 5/3	M5, M7	400 NI/min	Manifold base plug-in	

OPERATIONAL BENEFITS

1. 10 mm valve – solenoid pilot operated.
2. Balanced spool, immune to variations of pressure.
3. Bonded spool with minimum friction.
4. Wiping effect, eliminates sticking.
5. Pilot valve with balanced poppet, high flow, short and consistent response times



HOW TO ORDER

SINGLE PRESSURE MODELS (SIDE PORTS)

Port size	Pilot air	5/2 Single solenoid	5/2 Double solenoid	5/3 Closed center	5/3 Open center
Valve only	Internal	24A-AA-000-Exx-RxxP-xxx	24A-BA-000-Exx-RxxP-xxx	24A-EA-000-Exx-RxxP-xxx	24A-FA-000-Exx-RxxP-xxx
	External	24A-AB-000-Exx-RxxP-xxx	24A-BB-000-Exx-RxxP-xxx	24A-EB-000-Exx-RxxP-xxx	24A-FB-000-Exx-RxxP-xxx
M5	Internal	24A-AA-BAA-Exx-RxxP-xxx	24A-BA-BAA-Exx-RxxP-xxx	24A-EA-BAA-Exx-RxxP-xxx	24A-FA-BAA-Exx-RxxP-xxx
	External	24A-AB-BAA-Exx-RxxP-xxx	24A-BB-BAA-Exx-RxxP-xxx	24A-EB-BAA-Exx-RxxP-xxx	24A-FB-BAA-Exx-RxxP-xxx
M7	Internal	24A-AA-CAA-Exx-RxxP-xxx	24A-BA-CAA-Exx-RxxP-xxx	24A-EA-CAA-Exx-RxxP-xxx	24A-FA-CAA-Exx-RxxP-xxx
	External	24A-AB-CAA-Exx-RxxP-xxx	24A-BB-CAA-Exx-RxxP-xxx	24A-EB-CAA-Exx-RxxP-xxx	24A-FB-CAA-Exx-RxxP-xxx

DUAL PRESSURE MODELS (INTERNAL PILOT ONLY – SIDE PORTS)

Port size	Pilot air	5/2 Single solenoid	5/2 Double solenoid	5/3 Pressure center
Valve only	Internal from port #3	24A-CG-000-Exx-RxxP-xxx	24A-DG-000-Exx-RxxP-xxx	24A-GG-000-Exx-RxxP-xxx
	Internal from port #5	24A-CK-000-Exx-RxxP-xxx	24A-DH-000-Exx-RxxP-xxx	24A-GH-000-Exx-RxxP-xxx
M5	Internal from port #3	24A-CG-BAA-Exx-RxxP-xxx	24A-DG-BAA-Exx-RxxP-xxx	24A-GG-BAA-Exx-RxxP-xxx
	Internal from port #5	24A-CH-BAA-Exx-RxxP-xxx	24A-DH-BAA-Exx-RxxP-xxx	24A-GH-BAA-Exx-RxxP-xxx
M7	Internal from port #3	24A-CG-CAA-Exx-RxxP-xxx	24A-DG-CAA-Exx-RxxP-xxx	24A-GG-CAA-Exx-RxxP-xxx
	Internal from port #5	24A-CH-CAA-Exx-RxxP-xxx	24A-DH-CAA-Exx-RxxP-xxx	24A-GH-CAA-Exx-RxxP-xxx

SOLENOID OPERATOR >

E **XX-RXXX-XXX***

XX	Pilot type	XX	Voltage	X	Lead wire length	X	Manual operator	XX	Electrical connection
M2	Muffled exhaust	DB	24V=/1.0W	P	Base plug-in	0	No manual operator	FA	Base plug-in
P2	Piped exhaust (M3)	DC	24V=/1.8W			1	Recessed non locking	FB	Base plug-in w/ LED
		DD	24V=/2.5W			3	Extended non locking	FC	Base plug-in w/MOV
		DF	24V=/4.0W					FD	Base plug-in w/MOV and LED
		DH	12V=/1.0W						
		DJ	12V=/1.8W						
		DK	12V=/2.5W						
		DM	12V=/4.0W						

* Other options available, see page 397.

OPTIONS

24A-XX-XxX-Exx-Rxxx-xxx

End plate kit required (Port size 1/4"): M-24005-01-01P (internal pilot) – M-24005-02-01P (external pilot)

- A Manifold base – Side cylinder ports
- B Manifold base – Bottom cylinder ports (no side cylinder ports)

31
33
34
36
32
37
38
52
53
54
67
68
69
41
43
44
23
24
46
42
47
48P
48
400
92
83
93
ISO 01
ISO 02
ISO 1
ISO 2
ISO 3



100%
OF
PRODUCTION
TESTED
100%

WARRANTY
18
MONTHS

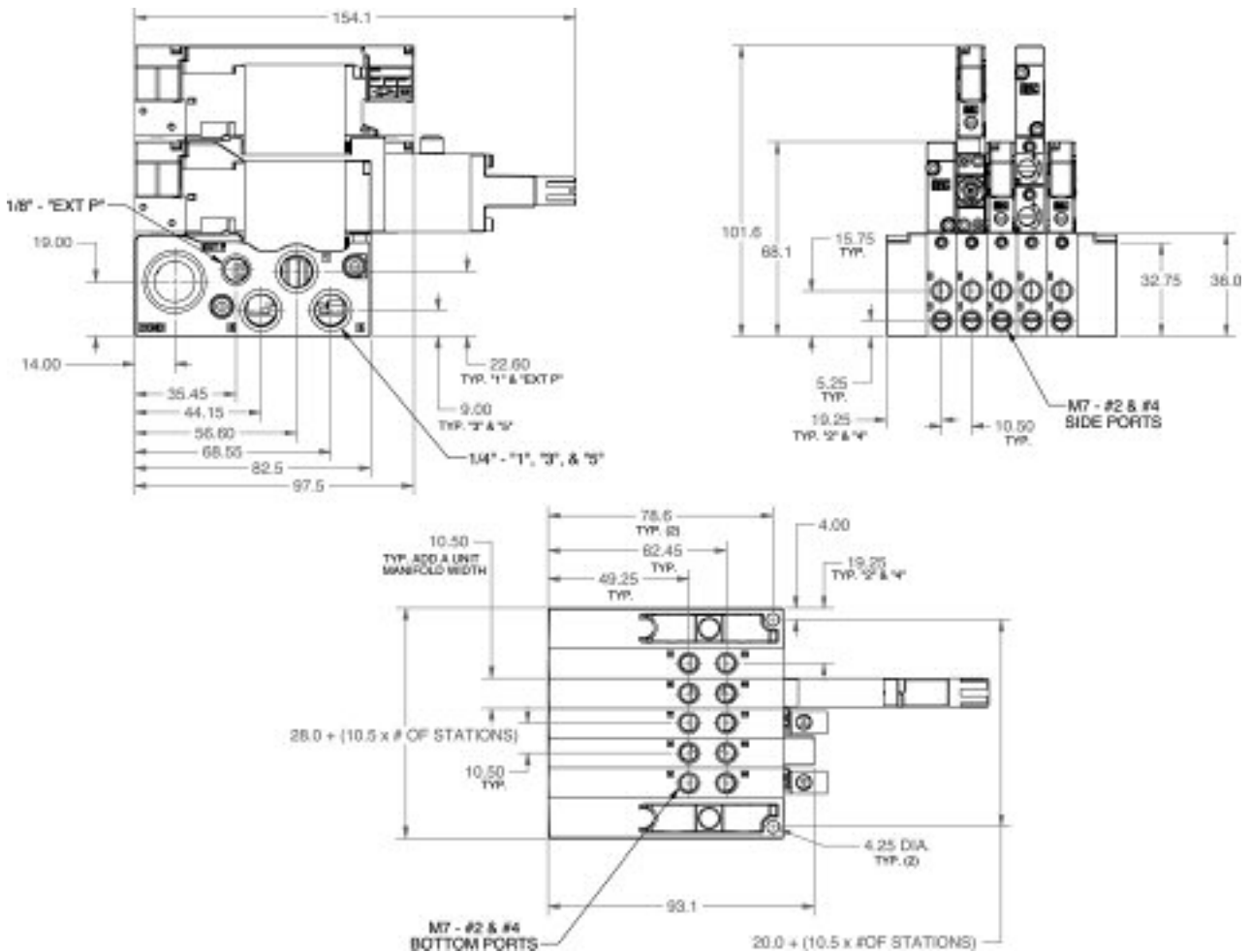
TECHNICAL DATA

Fluid :	Compressed air, vacuum, inert gases
Pressure range :	2 position internal pilot: Single solenoid: 2 to 8 bar Double solenoid: 1.3 to 8 bar 2/3 position external pilot: vacuum to 8 bar 3 position internal pilot: 2.7 to 8 bar
Lubrication :	Not required, if used select a medium aniline point lubricant (between 80°C and 100°C)
Filtration :	40 µ
Flow :	0.4 Cv / 400 NI/min
Coil :	Class A (#26 AWG x 18), continuous duty
Voltage range :	-15% to +10% of nominal voltage
Power :	4.0W, 3.0W, 2.5W, 1.8W, 1.0W

Spare parts: • Blank station cover plate: M-24004 • Inlet isolator: 28568
• Exhaust isolator (Port #5): 28569 • Exhaust isolator (Port #3): 28570

DIMENSIONS

Dimensions shown are metric (mm)

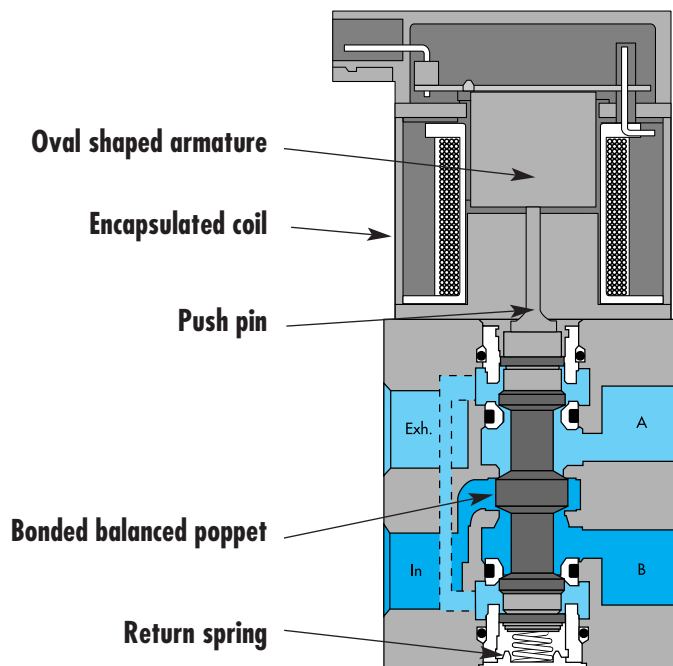


Individual mounting

Inline

Manifold mounting

Stacking	Manifold base "plug-in"	Manifold base "plug-in" with pressure regulators	Manifold base "plug-in" with flow controls	Manifold base "plug-in" with PR & FC
----------	-------------------------	--	--	--------------------------------------



SERIES FEATURES

- Patented high force MACSOLENOID® for fastest possible response times.
- Bonded balanced poppet for high flow, precise repeatability, and consistent operation.
- Balanced poppet permits versatility in function — may be used as 3-way or 2-way normally open or normally closed and may be used for vacuum, divertor, or selector applications.
- Extremely high cycle rate capability.
- Use on lube or non-lube service.
- Manual overrides as standard.
- Various solenoid enclosures and plug-in connectors.
- Optional surge suppression available.
- Low wattage DC solenoids — down to 1.3 watts.
- Rectified AC voltage.

Series

31

33

34

36

32

37

38

52

53

54

67

68

69

41

43

44

23

24

46

42

47

48P

48

400

92

83

93

ISO 01

ISO 02

ISO 1

ISO 2

ISO 3



Direct solenoid and solenoid pilot operated valves

Function	Port size	Flow [Max]	Individual mounting	Series
4/2	G1/8" - M5	300 NI/min	Inline	

OPERATIONAL BENEFITS

1. Balanced poppet, immune to variations of pressure.
2. Patented solenoid develops high shifting forces.
3. Short stroke with high flow.
4. Higher forces result in lower wattages for given flow.
5. Powerful return spring.



HOW TO ORDER

Port size	Single Operator		Double Operator	
	Without flow controls	With flow controls	Without flow controls	With flow controls
G1/8"	46A-AC1-J xxx-xxx	46A-AC2-J xxx-xxx	46A-GC1-J xxx-xxx	46A-GC2-J xxx-xxx
M5	46A-AD1-J xxx-xxx	46A-AD2-J xxx-xxx	46A-GD1-J xxx-xxx	46A-GD2-J xxx-xxx

SOLENOID OPERATOR >

J **XXX-XXX** (-G) Add "G" for ground

XX Voltage	X Lead wire length	X Manual operator	XX Electrical connection
Single & double solenoid			
AA 120 V~/5,4W	A 45 cm	1 Non-locking	BA Flying leads
AC 24 V~/5,4W	B 60 cm	2 Locking	GA MAC JAC Solenoid plug-in
DA 24 V=/5,4W	C 90 cm		GG MAC JAC Solenoid plug-in with rectifier
DB 12 V~/5,4W	**O No lead wire		JB Rectangular connector
Single solenoid only			JD Rectangular connector with light
DC 24 V=/2,4W			KA Mini square connector
DD 12 V=/2,4W			KD Mini square connector with light

* Other options available, see page 393.
 Note : - AC voltage requires connector with rectifier.
 - With the MAC JAC, washdown capability is possible. Consult factory for washdown modification number.
 - Double solenoid requires minimum 5,4 watts.

OPTIONS

46A-AC1-Jxxx-xxx

- G** Use with O ring mount (body option D and "H")
- A** Single operator - 4 port body with side ports
- C** Single operator - 4 port body with bottom ports (No side ports)
- D** Single operator - Bottom O ring mount - All ports (No side ports)
- F** Single operator - Bottom O ring mount - Cylinder ports only - Side inlet and exhaust
- G** Double operator - 4 Port body - with side ports
- H** Double operator - Bottom O ring mount. All ports (no side ports).

Examples : 46A-DG1-Jxxx-xxx (Bottom O ring mount – all ports)
 46A-CD1-Jxxx-xxx (4 port body with bottom ports – no side ports)

31
33
34
36
32
37
38
52
53
54
67
68
69
41
43
44
23
24
46
42
47
48P
48
400
92
83
93
ISO 01
ISO 02
ISO 1
ISO 2
ISO 3



100%
OF
PRODUCTION
TESTED
100%

WARRANTY
18
MONTHS

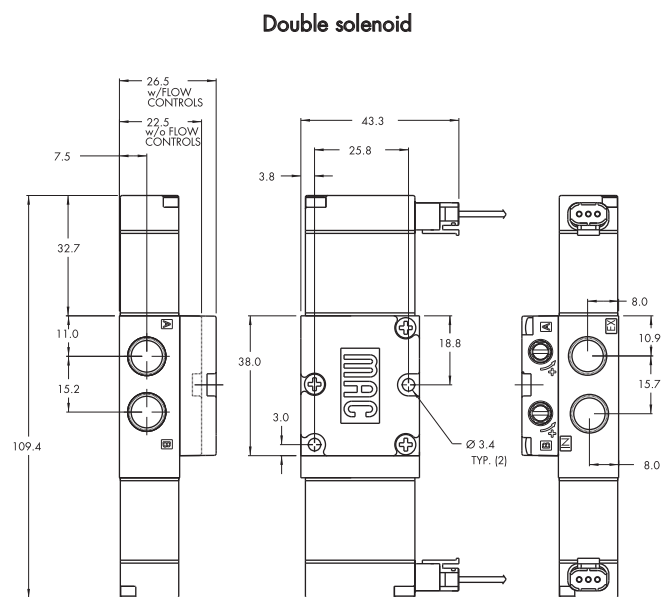
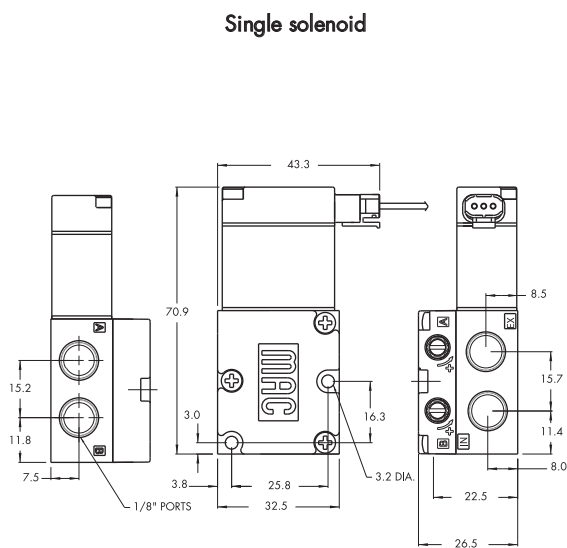
TECHNICAL DATA

Fluid :	Compressed air, vacuum, inert gases
Pressure range :	Vacuum to 8 bar
Lubrication :	Not required, if used select a medium aniline point lubricant (between 80°C and 100°C)
Filtration :	40 µ
Temperature range :	-18°C to +50°C
Orifice :	3,3 mm
Flow :	1,8W : 200 NI/min (Cv 0,20) – 2,4W : 200 NI/min (Cv 0,20) – 5,4W : 300 NI/min (Cv 0,30)
Coil :	Epoxy encapsulated – Class A wires – 100% ED
Voltage range :	-15% to +10% of nominal voltage
Protection :	IP54 (electrical connection)
Power :	5,4W – 2,4W – 1,0W

Options : • NPTF threads

DIMENSIONS

Dimensions shown are metric (mm)



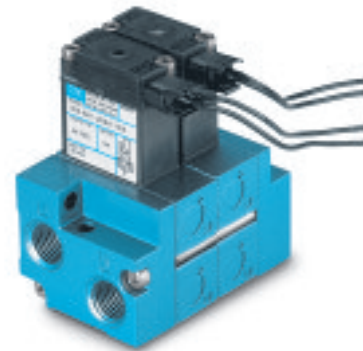


Direct solenoid and solenoid pilot operated valves

Function	Port size	Flow [Max]	Manifold Mounting	Series
4/2	G1/8" - M5	300 NI/min	Stacking	

OPERATIONAL BENEFITS

1. Balanced poppet, immune to variations of pressure.
2. Patented solenoid develops high shifting forces.
3. Short stroke with high flow.
4. Higher forces result in lower wattages for given flow.
5. Powerful return spring.



HOW TO ORDER

Port size	Without flow controls	With flow controls
G1/8"	46A-SC1-J xxx-xxx	46A-SC2-J xxx-xxx
M5	46A-SD1-J xxx-xxx	46A-SD2-J xxx-xxx

SOLENOID OPERATOR >

J XXX-XXX (-G) Add "G" for ground

XX Voltage	X Wire length	X Manual operator	XX Electrical connection
AA 120 V~/5,4W	A 45 cm	1 Non-locking	BA Flying leads
DA 24 V~/5,4W	B 60 cm	2 Locking	JA Square connector
DB 12 V~/5,4W	C 90 cm		JC Square connector with light
DC 24 V~/2,4W			JB Rectangular connector
DD 12 V~/2,4W			JD Rectangular connector with light
			KA Mini square connector
			KD Mini square connector with light

* Other options available, see page 393.
 Note : - AC voltage requires connector with rectifier.
 - With the MAC JAC, washdown capability is possible. Consult factory for washdown modification number.

End plate kit required (port size 1/4") : M-46001-01P.

31
33
34
36
32
37
38
52
53
54
67
68
69
41
43
44
23
24
46
42
47
48P
48
400
92
83
93
ISO 01
ISO 02
ISO 1
ISO 2
ISO 3

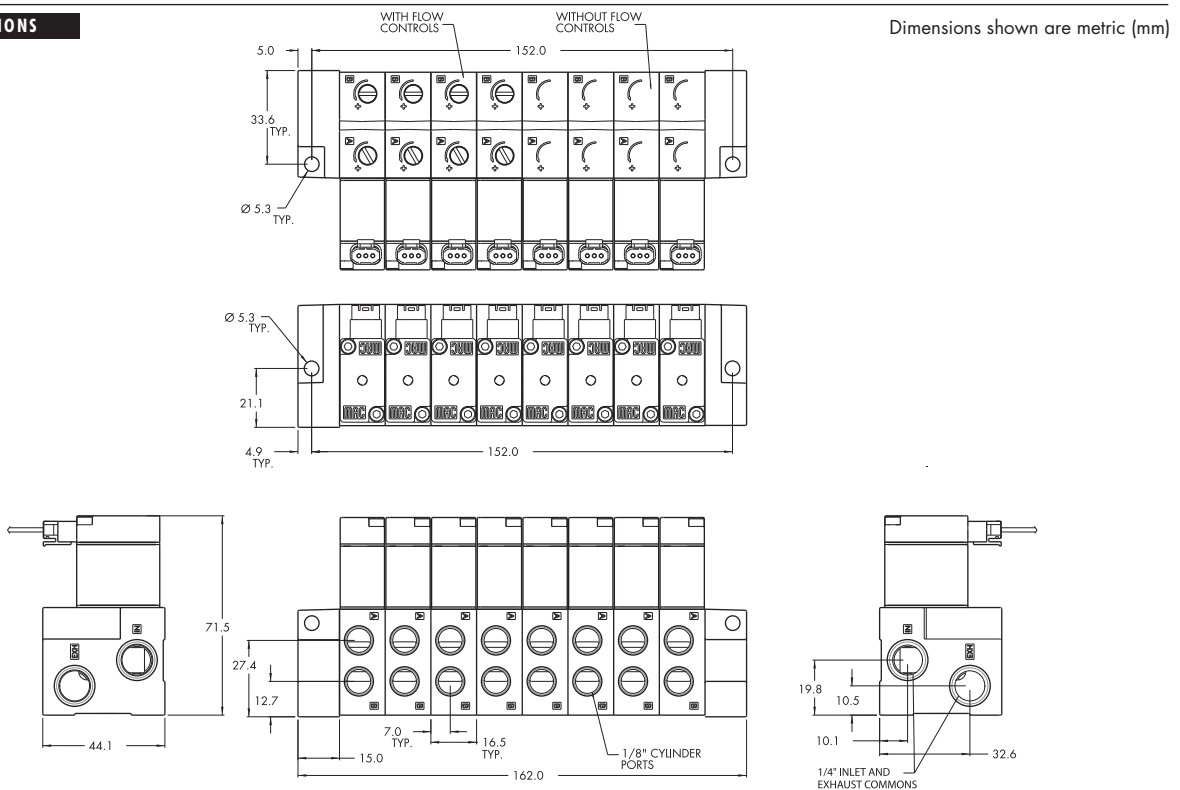
TECHNICAL DATA

Fluid :	Compressed air, vacuum, inert gases
Pressure range :	Vacuum to 8 bar
Lubrication :	Not required, if used select a medium aniline point lubricant (between 80°C and 100°C)
Filtration :	40 µ
Temperature range :	-18°C to +50°C
Orifice :	3,3 mm
Flow (at 6 bar, ΔP=1bar) :	1,8W : 200 NI/min (Cv 0,20) – 2,4W : 200 NI/min (Cv 0,20) – 5,4W : 300 NI/min (Cv 0,30)
Coil :	Epoxy encapsulated – Class A wires – 100% ED
Voltage range :	-15% to +10% of nominal voltage
Protection :	IP54 (electrical connection)
Power :	5,4W – 2,4W – 1,0W
Response times :	Energize : 7,20 ms De-energize : 4,20ms

Options : • NPTF threads

Spare parts : • Inlet isolator : 28494 • Exhaust isolator : 28493 • Tie rod (x2) : 79411

DIMENSIONS



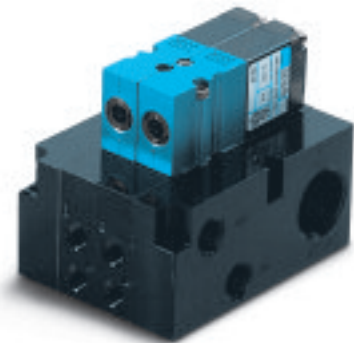


Direct solenoid and solenoid pilot operated valves

Function	Port size	Flow [Max]	Manifold mounting	Series
4/2	G1/8"	300 NI/min	Manifold base "plug-in"	

OPERATIONAL BENEFITS

1. Balanced poppet, immune to variations of pressure.
2. Patented solenoid develops high shifting forces.
3. Short stroke with high flow.
4. Higher forces result in lower wattages for given flow.
5. Powerful return spring.



HOW TO ORDER

Port size	Single solenoid	Double solenoid
Valve less base	46A-L00-00-J xxP-xxx	46A-N00-00-J xxP-xxx
G1/8"	46A-LSB-AC-J xxP-xxx	46A-NSB-BL-J xxP-xxx

SOLENOID OPERATOR >

J **xx** P-**xxx*** (-G) Add "G" for ground

xx Voltage	x Manual operator	xx Electrical connection
Single & double solenoid		
AA 120 V~/5,4W	1 Non-locking	FA Base plug-in
AC 24 V~/5,4W	2 Locking	FB Base plug-in with diode
DA 24 V~/5,4W		FG Base plug-in with rectifier
DB 12 V~/5,4W		
Single solenoid only		
DC 24 V~/2,4W		
DD 12 V~/2,4W		

* Other options available, see page 393.
 Notes : - AC voltage requires connector with rectifier.
 - Double solenoid requires minimum 5,4 watts.

OPTIONS

46A-LSB-AC-JxxP-xxx

- C Single solenoid - Side cylinder ports
- L Single & double solenoid - Bottom cylinder ports
- 0 Base only - no valve
- L Single solenoid - Base mount body
- M Single solenoid - Base mount body with gage port
- N Double solenoid - Base mount body
- P Double solenoid - Base mount body with gage port

Example : base only : 46A-0SB-AC.
 End plate kit required (port size G1/4") : M-46003-01P.

31
33
34
36
32
37
38
52
53
54
67
68
69
41
43
44
23
24
46
42
47
48P
48
400
92
83
93
ISO 01
ISO 02
ISO 1
ISO 2
ISO 3

TECHNICAL DATA

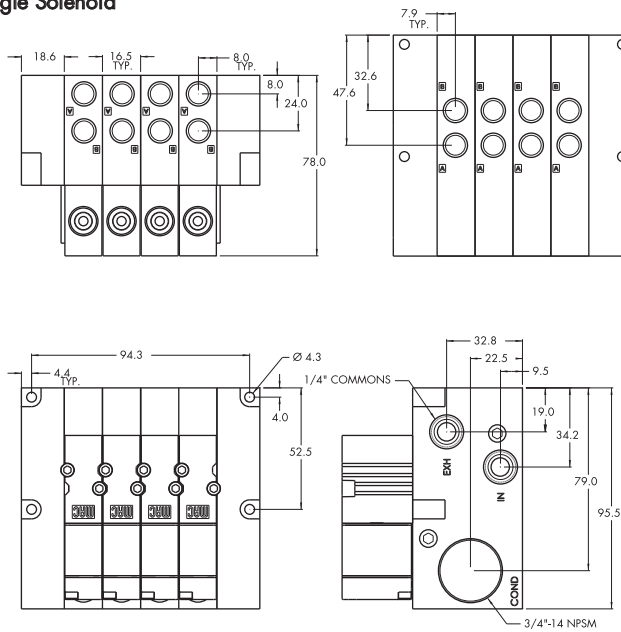
Fluid :	Compressed air, vacuum, inert gases
Pressure range :	Vacuum to 8 bar
Lubrication :	Not required, if used select a medium aniline point lubricant (between 80°C and 100°C)
Filtration :	40 µ
Temperature range :	-18°C to +50°C
Orifice :	3,3 mm
Flow (at 6 bar, ΔP=1bar) :	1,8W : 200 NI/min (Cv 0,20) – 2,4W : 200 NI/min (Cv 0,20) – 5,4W : 300 NI/min (Cv 0,30)
Coil :	Epoxy encapsulated – Class A wires – 100% ED
Voltage range :	-15% to +10% of nominal voltage
Protection :	IP54 (electrical connection)
Power :	5,4W – 2,4W – 1,0W
Response times :	Energize : 7,20 ms De-energize : 4,20ms

Options : • NPTF threads

Spare parts : • Inlet isolator : 28501 • Exhaust isolator : 28502 • Valve cover plate : M-46002
• Tie rod (x2) : 79443

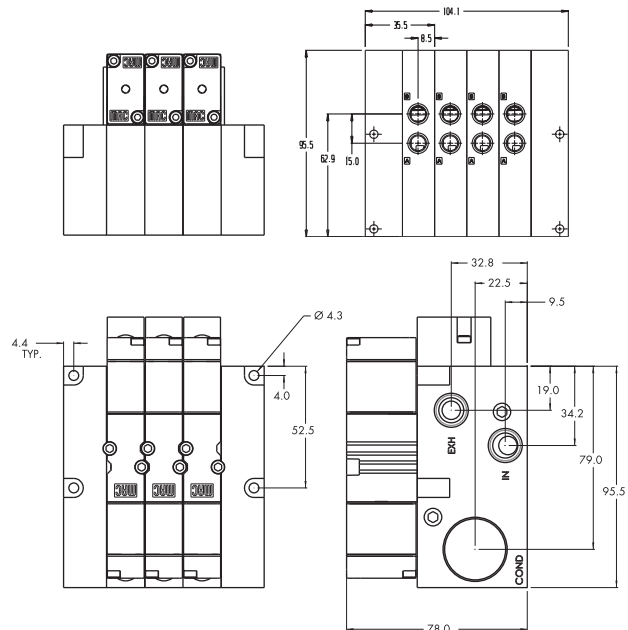
DIMENSIONS

Single Solenoid



Dimensions shown are metric (mm)

Double solenoid





Direct solenoid and solenoid pilot operated valves

Function	Port size	Flow [Max]	Manifold mounting	Series
4/2	G1/8"	300 NI/min	Manifold base "plug-in" with pressure regulators	

OPERATIONAL BENEFITS

- Balanced poppet, immune to variations of pressure.
- Patented solenoid develops high shifting forces.
- Short stroke with high flow.
- Higher forces result in lower wattages for given flow.
- Powerful return spring.



HOW TO ORDER

Port size	Model number
Valve less base	46A-L00-00-J xxP-xxx
G1/8"	46A-LSB-AJ-J xxP-xxx



SOLENOID OPERATOR >

J **xx** P-**xxx*** (-G) Add "G" for ground

XX Voltage	X Manual operator	XX Electrical connection
AA 120V~/5,4W	1 Non-locking	FA Base plug-in
DA 24V~/5,4W	2 Locking	FB Base plug-in with diode
DB 12V~/5,4W		FG Base plug-in with rectifier
DC 24V~/2,4W		

* Other options available, see page 393.
Note : AC voltage requires connector with rectifier.

OPTIONS

46A-LSB-AJ-JxxP-xxx	Options
J	Regulator with adjusting knob
E	Regulator with slotted stem
G	Regulator with slotted stem with locknut
O	Base only – no valve
L	Base mount body
M	Base mount body with gage port

Example : base only with regulator : 46A-0SB-AJ.
End plate kit required (port size G1/4") : M-46003-01P.

- 31
- 33
- 34
- 36
- 32
- 37
- 38
- 52
- 53
- 54
- 67
- 68
- 69
- 41
- 43
- 44
- 23
- 24
- 46
- 42
- 47
- 48P
- 48
- 400
- 92
- 83
- 93
- ISO 01
- ISO 02
- ISO 1
- ISO 2
- ISO 3

TECHNICAL DATA

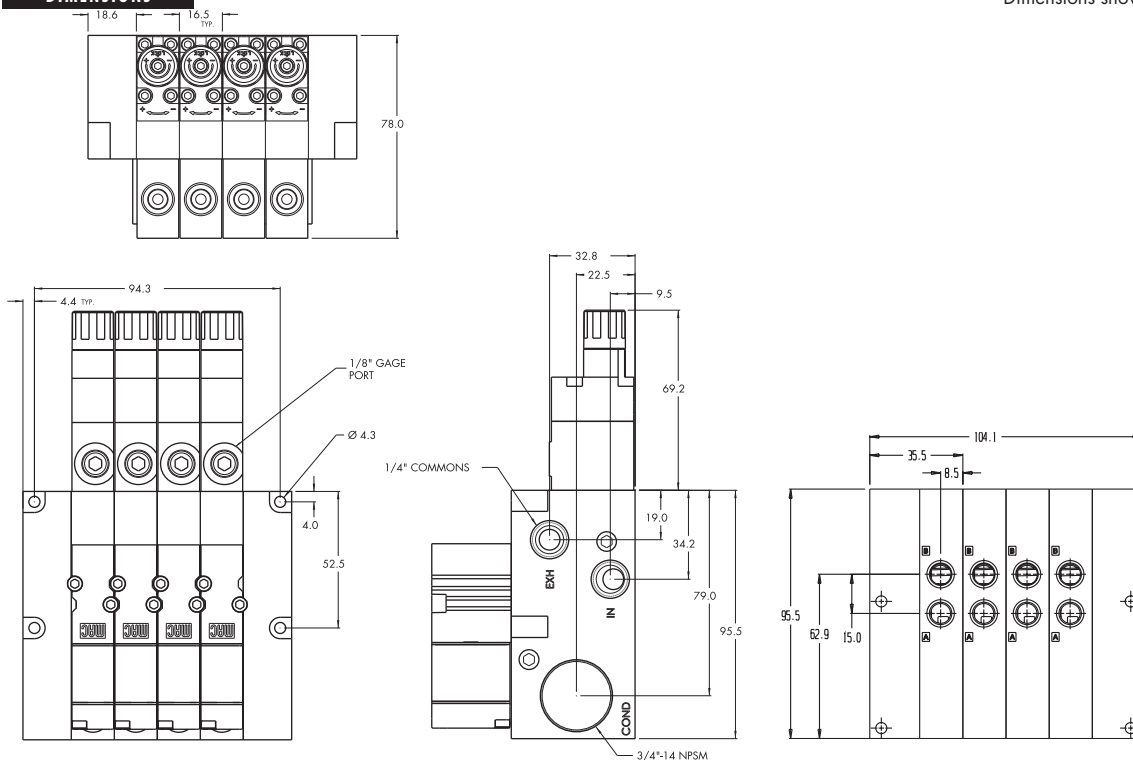
Fluid :	Compressed air, vacuum, inert gases
Pressure range :	Vacuum to 8 bar
Lubrication :	Not required, if used select a medium aniline point lubricant (between 80°C and 100°C)
Filtration :	40 µ
Temperature range :	-18°C to +50°C
Orifice :	3,3 mm
Flow (at 6 bar, ΔP=1bar) :	1,8W : 200 NI/min (Cv 0,20) – 2,4W : 200 NI/min (Cv 0,20) – 5,4W : 300 NI/min (Cv 0,30)
Coil :	Epoxy encapsulated – Class A wires – 100% ED
Voltage range :	-15% to +10% of nominal voltage
Protection :	IP54 (electrical connection)
Power :	5,4W – 2,4W – 1,0W
Response times :	Energize : 7,20 ms De-energize : 4,20ms

- Options :
- NPTF threads
 - Inlet isolator : 28501 • Exhaust isolator : 28502 • Valve cover plate : M-46002 • Tie rod (x2) : 79443
 - Replacement regulators : PR46A-0AAA (slotted stem)
PR46A-0BAA (adjusting knob)
PR46A-0CAA (slotted stem with locknut)

- Regulating range options :
- PR46A-xxxA
 - A 0 to 8 bar
 - B 0 to 5,3 bar
 - C 0 to 2 bar

DIMENSIONS

Dimensions shown are metric (mm)



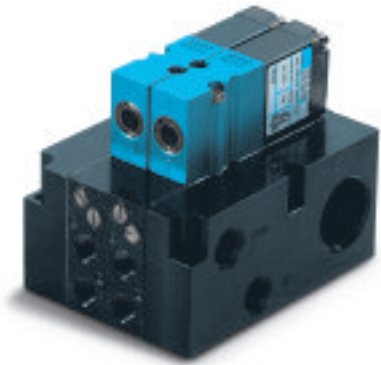


Direct solenoid and solenoid pilot operated valves

Function	Port size	Flow [Max]	Manifold mounting	Series
4/2	G1/8"	300 NI/min	Manifold base "plug-in" with flow controls	

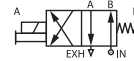
OPERATIONAL BENEFITS

1. Balanced poppet, immune to variations of pressure.
2. Patented solenoid develops high shifting forces.
3. Short stroke with high flow.
4. Higher forces result in lower wattages for given flow.
5. Powerful return spring.



HOW TO ORDER

Port size	Model number
Valve less base	46A-L00-00-J XX P-XXX
G1/8"	46A-LSB-AD-J XX P-XXX



SOLENOID OPERATOR >

J XX P-XXX* (-G) Add "G" for ground

XX Voltage	X Manual operator	XX Electrical connection
AA 120V~/5,4W	1 Non-locking	FA Base plug-in
DA 24V~/5,4W	2 Locking	FB Base plug-in with diode
DB 12V~/5,4W		FG Base plug-in with rectifier
DC 24V~/2,4W		

* Other options available, see page 393.
Note : AC voltage requires connector with rectifier.

OPTIONS

46A-LSB-AJ-JXX P-XXX

- D Side cylinder ports
- M Bottom cylinder ports
- O Base only – no valve
- L Base mount body
- M Base mount body with gage port

Example : base only with regulator: 46A-OSB-AD.
End plate kit required (port size G1/4") : M-46003-01P.

- 31
- 33
- 34
- 36
- 32
- 37
- 38
- 52
- 53
- 54
- 67
- 68
- 69
- 41
- 43
- 44
- 23
- 24
- 46
- 42
- 47
- 48P
- 48
- 400
- 92
- 83
- 93
- ISO 01
- ISO 02
- ISO 1
- ISO 2
- ISO 3



100%
OF
PRODUCTION
TESTED
100%

WARRANTY
18
MONTHS

TECHNICAL DATA

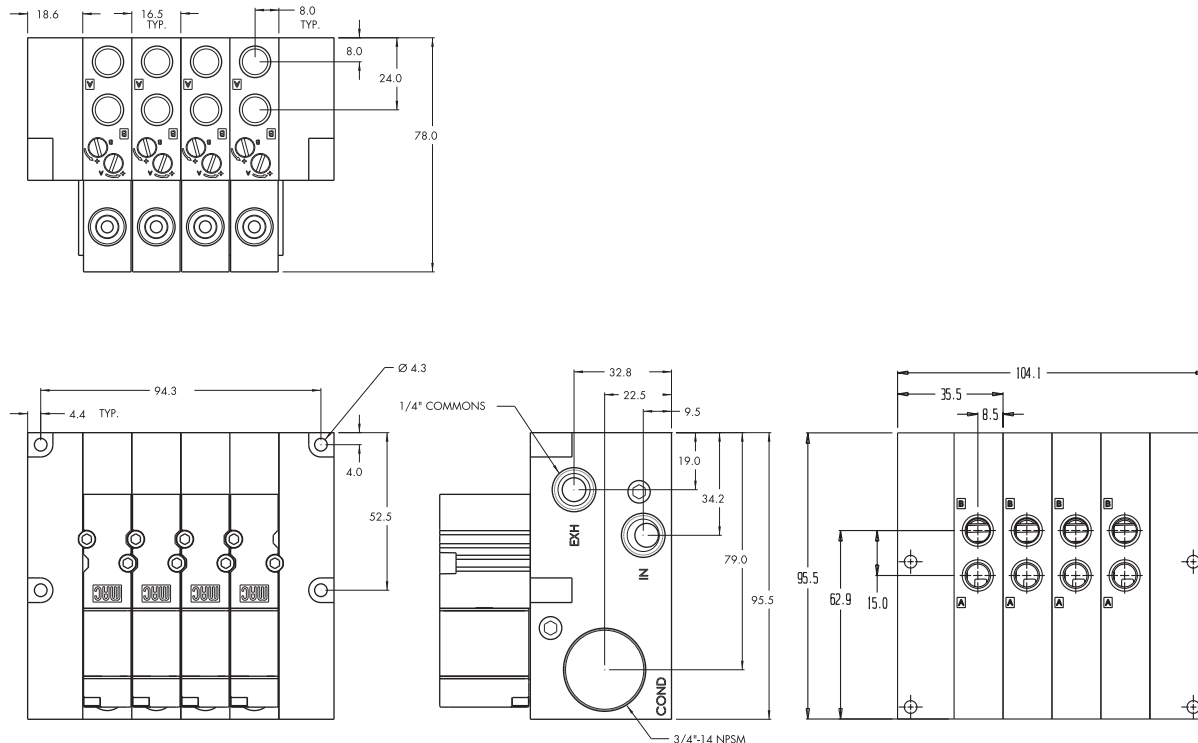
Fluid :	Compressed air, vacuum, inert gases
Pressure range :	Vacuum to 8 bar
Lubrication :	Not required, if used select a medium aniline point lubricant (between 80°C and 100°C)
Filtration :	40 µ
Temperature range :	-18°C to +50°C
Orifice :	3,3 mm
Flow (at 6 bar, ΔP=1bar) :	1,8W : 200 NI/min (Cv 0,20) – 2,4W : 200 NI/min (Cv 0,20) – 5,4W : 300 NI/min (Cv 0,30)
Coil :	Epoxy encapsulated – Class A wires – 100% ED
Voltage range :	-15% to +10% of nominal voltage
Protection :	IP54 (electrical connection)
Power :	5,4W – 2,4W – 1,0W
Response times :	Energize : 7,20 ms De-energize : 4,20ms

Options : • NPTF threads

Spare parts : • Inlet isolator : 28501 • Exhaust isolator : 28502 • Valve cover plate : M-46002
• Tie rod (x2) : 79443

DIMENSIONS

Dimensions shown are metric (mm)





Direct solenoid and solenoid pilot operated valves

Function	Port size	Flow [Max]	Manifold mounting	Series
4/2	G1/8"	300 NI/min	Manifold base "plug-in" with PR & FC	

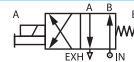
OPERATIONAL BENEFITS

- Balanced poppet, immune to variations of pressure.
- Patented solenoid develops high shifting forces.
- Short stroke with high flow.
- Higher forces result in lower wattages for given flow.
- Powerful return spring.



HOW TO ORDER

Port size	Model number
Valve less base	46A-L00-00-J xxP-xxx
G1/8"	46A-LSB-AK-J xxP-xxx



SOLENOID OPERATOR >

J **xx** P-**xxx*** (-G) Add "G" for ground

XX Voltage	X Manual operator	XX Electrical connection
AA 120V~/5,4W	1 Non-locking	FA Base plug-in
DA 24V~/5,4W	2 Locking	FB Base plug-in with diode
DB 12V~/5,4W		FG Base plug-in with rectifier
DC 24V~/2,4W		

* Other options available, see page 393.
Note : AC voltage requires connector with rectifier.

OPTIONS

46A-LSB-AJ-JxxP-xxx

- K Regulator with adjusting knob & flow controls
- F Regulator with slotted stem & flow controls
- H Regulator with slotted stem with locknut & flow controls
- O Base only – no valve
- L Base mount body
- M Base mount body with gage port

Example : base only with regulator : 46A-0SB-AK.
End plate kit required (port size G1/4") : M-46003-01P.

31
33
34
36
32
37
38
52
53
54
67
68
69
41
43
44
23
24
46
42
47
48P
48
400
92
83
93
ISO 01
ISO 02
ISO 1
ISO 2
ISO 3



100%
OF
PRODUCTION
TESTED
100%

WARRANTY
18
MONTHS

TECHNICAL DATA

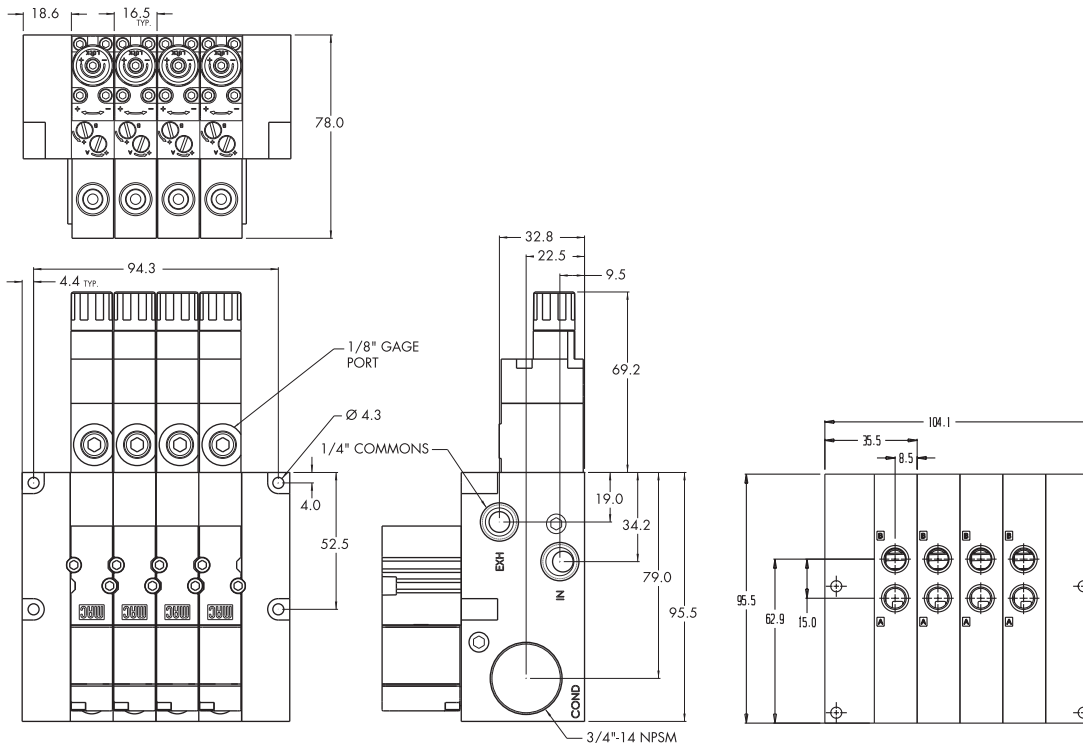
Fluid :	Compressed air, vacuum, inert gases
Pressure range :	Vacuum to 8 bar
Lubrication :	Not required, if used select a medium aniline point lubricant (between 80°C and 100°C)
Filtration :	40 µ
Temperature range :	-18°C to +50°C
Orifice :	3,3 mm
Flow (at 6 bar, ΔP=1bar) :	1,8W : 200 NI/min (Cv 0,20) – 2,4W : 200 NI/min (Cv 0,20) – 5,4W : 300 NI/min (Cv 0,30)
Coil :	Epoxy encapsulated – Class A wires – 100% ED
Voltage range :	-15% to +10% of nominal voltage
Protection :	IP54 (electrical connection)
Power :	5,4W – 2,4W – 1,0W
Response times :	Energize : 7,20 ms De-energize : 4,20ms

- Options :
- NPTF threads
 - Inlet isolator : 28501 • Exhaust isolator : 28502 • Valve cover plate : M-46002 • Tie rod (x2) : 79443
 - Replacement regulators : PR46A-OAAA (slotted stem)
PR46A-OBAA (adjusting knob)
PR46A-OCBA (slotted stem with locknut)

- Regulating range options :
- PR46A-xxxA
 - A 0 to 8 bar
 - B 0 to 5,3 bar
 - C 0 to 2 bar

DIMENSIONS

Dimensions shown are metric (mm)

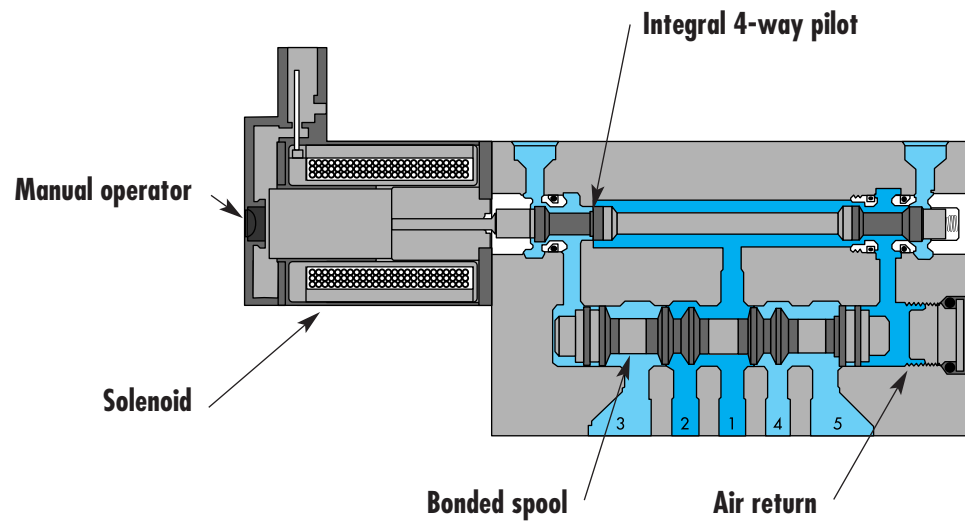


Individual mounting

Sub-base non "plug-in"	Sub-base "plug-in"	Sub-base/manifold base non "plug-in" with latching solenoid	Sub-base/manifold base "plug-in" with latching solenoid
------------------------	--------------------	---	---

Manifold mounting

Manifold base non "plug-in"	Manifold base "plug-in"	Sub-base/manifold base non "plug-in" with latching solenoid	Sub-base/manifold base "plug-in" with latching solenoid
-----------------------------	-------------------------	---	---



SERIES FEATURES

- High force MACSOLENOID®.
- Integral 4-way pilot design.
- Single or dual pressure.
- Internal or external pilot.
- Single or double solenoid.
- 2 or 3 position.
- Rectified AC voltage.
- Latching solenoid technology.

Series

31

33

34

36

32

37

38

52

53

54

67

68

69

41

43

44

23

24

46

42

47

48P

48

400

92

83

93

ISO 01

ISO 02

ISO 1

ISO 2

ISO 3



Direct solenoid and solenoid pilot operated valves

Function	Port size	Flow [Max]	Individual mounting	Series
5/2, 5/3	M5, M7	400 NI/min	Sub-base non "plug-in"	

OPERATIONAL BENEFITS

1. 4-way valve with 4-way integral pilot.
2. 10 mm valve (stacks on 10,5 mm centres).
3. High flow (up to 400 NI/min).
4. Fast repeatable response times.
5. Maximum shifting forces in both directions.
6. Long life.



HOW TO ORDER

SINGLE PRESSURE MODELS

Port size	Pilot air	5/2 Single solenoid	5/2 Double solenoid	5/3 Closed centre	5/3 Open centre
Valve less base	Internal	42B-AMA-000-Gxxx-xxx	42B-BMA-000-Gxxx-xxx	42B-EMA-000-Gxxx-xxx	42B-FMA-000-Gxxx-xxx
	External	42B-AMD-000-Gxxx-xxx	42B-BMD-000-Gxxx-xxx	42B-EMD-000-Gxxx-xxx	42B-FMD-000-Gxxx-xxx
M5	Internal	42B-AMA-GAL-Gxxx-xxx	42B-BMA-GAL-Gxxx-xxx	42B-EMA-GAL-Gxxx-xxx	42B-FMA-GAL-Gxxx-xxx
	External	42B-AMD-GAM-Gxxx-xxx	42B-BMD-GAM-Gxxx-xxx	42B-EMD-GAM-Gxxx-xxx	42B-FMD-GAM-Gxxx-xxx
M7	Internal	42B-AMA-LAL-Gxxx-xxx	42B-BMA-LAL-Gxxx-xxx	42B-EMA-LAL-Gxxx-xxx	42B-FMA-LAL-Gxxx-xxx
	External	42B-AMD-LAM-Gxxx-xxx	42B-BMD-LAM-Gxxx-xxx	42B-EMD-LAM-Gxxx-xxx	42B-FMD-LAM-Gxxx-xxx

DUAL PRESSURE MODELS

Port size	Pilot air	5/2 Single solenoid	5/2 Double solenoid	5/3 Pressure centre
Valve less base	Internal	Supply #3 port	42B-CMB-000-Gxxx-xxx	42B-HMB-000-Gxxx-xxx
		Supply #5 port	42B-CMC-000-Gxxx-xxx	42B-HMC-000-Gxxx-xxx
	External		42B-CMD-000-Gxxx-xxx	42B-HMD-000-Gxxx-xxx
M5	Internal	Supply #3 port	42B-CMB-GAL-Gxxx-xxx	42B-HMB-GAL-Gxxx-xxx
		Supply #5 port	42B-CMC-GAL-Gxxx-xxx	42B-HMC-GAL-Gxxx-xxx
	External		42B-CMD-GAM-Gxxx-xxx	42B-HMD-GAM-Gxxx-xxx
M7	Internal	Supply #3 port	42B-CMB-LAL-Gxxx-xxx	42B-HMB-LAL-Gxxx-xxx
		Supply #5 port	42B-CMC-LAL-Gxxx-xxx	42B-HMC-LAL-Gxxx-xxx
	External		42B-CMD-LAM-Gxxx-xxx	42B-HMD-LAM-Gxxx-xxx

STANDARD SOLENOID OPERATOR >

G **XXX-XXX***

XX	Voltage	X	Wire length	X	Manual operator		Electrical connection
AA	120 V~/2,5W	A	45 cm	1	Non-locking	BA	Flying leads
DC	24 V~/1,8W	B	60 cm	2	Locking	BT	Flying leads with light
DD	24 V~/2,5W	C	90 cm			GA	MAC JAC Solenoid plug-in
DF	24 V~/4,0W					KA	Mini connector
						KT	Mini connector with light
						KD	Mini connector with rectifier & light & ground

Note : AC voltage requires connector with rectifier.
 * Other options available, see page 387.
 Latching solenoid available for 5/2 valves.
 Other options available for the 42 series valves, see page 153.

31
33
34
36
32
37
38
52
53
54
67
68
69
41
43
44
23
24
46
42
47
48P
48
400
92
83
93
ISO 01
ISO 02
ISO 1
ISO 2
ISO 3

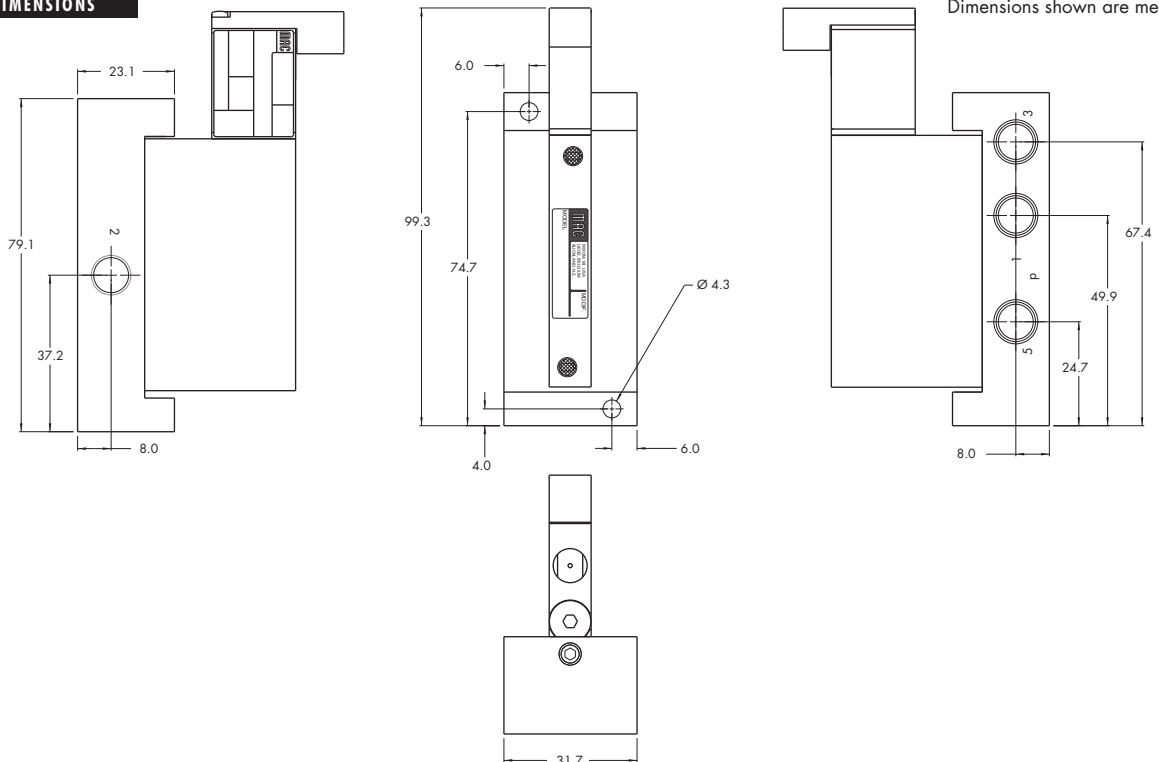
TECHNICAL DATA

Fluid :	Compressed air, vacuum, inert gases
Pressure range :	Internal Pilot - 2 pos. : 1,3 to 8 bar 3 pos. : 2,3 to 8 bar External Pilot : vacuum to 8 bar
Pilot pressure :	2 position : 1,3 to 8 bar 3 position : 2,3 to 8 bar
Lubrication :	Not required, if used select a medium aniline point lubricant (between 80°C and 100°C)
Filtration :	40 µ
Temperature range :	-18°C to +50°C
Orifice :	3,8 mm
Flow (at 6 bar, ΔP=1bar) :	M7: 400 NI/min (Cv 0,4) – M5: 350 NI/min (Cv 0,35)
Coil :	Epoxy encapsulated – 100% ED – Class A wire
Voltage range :	-15% to +10% of nominal voltage
Protection :	IP54 (electrical connection)
Power :	1.0 to 4.0 W
Response times : (with 24V 4 W coil)	Energize : 5 ms De-energize : 5 ms

Options :

- NPTF threads
- Sandwich flow controls : FC42B-BB
- Sandwich regulator : see 'Regulator' section

DIMENSIONS



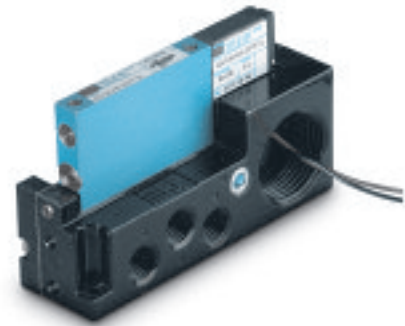


Direct solenoid and solenoid pilot operated valves

Function	Port size	Flow [Max]	Individual mounting	Series
5/2, 5/3	M5, M7	400 NI/min	Subbase "plug-in"	

OPERATIONAL BENEFITS

1. 4-way valve with 4-way integral pilot.
2. 10 mm valve (stacks on 10,5 mm centres).
3. High flow (up to 400 NI/min).
4. Fast repeatable response times.
5. Maximum shifting forces in both directions.
6. Long life.



HOW TO ORDER

SINGLE PRESSURE MODELS (LED STANDARD EXCEPT FOR SINGLE SOLENOIDS)

Port size	Pilot air	5/2 Single solenoid	5/2 Double solenoid	5/3 Closed centre	5/3 Open centre
Valve less base	Internal	42B-AMA-000-GXXP-XXX	42B-BME-000-GXXP-XST	42B-EME-000-GXXP-XST	42B-FME-000-GXXP-XST
	External	42B-AMD-000-GXXP-XXX	42B-BMH-000-GXXP-XST	42B-EMH-000-GXXP-XST	42B-FMH-000-GXXP-XST
M5	Internal	42B-AMA-GAA-GXXP-XXX	42B-BME-GAC-GXXP-XST	42B-EME-GAC-GXXP-XST	42B-FME-GAC-GXXP-XST
	External	42B-AMD-GAB-GXXP-XXX	42B-BMH-GAD-GXXP-XST	42B-EMH-GAD-GXXP-XST	42B-FMH-GAD-GXXP-XST
M7	Internal	42B-AMA-LAA-GXXP-XXX	42B-BME-LAC-GXXP-XST	42B-EME-LAC-GXXP-XST	42B-FME-LAC-GXXP-XST
	External	42B-AMD-LAB-GXXP-XXX	42B-BMH-LAD-GXXP-XST	42B-EMH-LAD-GXXP-XST	42B-FMH-LAD-GXXP-XST

DUAL PRESSURE MODELS (LED STANDARD EXCEPT FOR SINGLE SOLENOIDS)

Port size	Pilot air	5/2 Single solenoid	5/2 Double solenoid	5/3 Pressure centre
Valve less base	Internal	Supply #3 port	42B-CMB-000-GXXP-XXX	42B-HMF-000-GXXP-XST
	Internal	Supply #5 port	42B-CMC-000-GXXP-XXX	42B-HMG-000-GXXP-XST
	External		42B-CMD-000-GXXP-XXX	42B-HMH-000-GXXP-XST
M5	Internal	Supply #3 port	42B-CMB-GAA-GXXP-XXX	42B-HMF-GAC-GXXP-XST
	Internal	Supply #5 port	42B-CMC-GAA-GXXP-XXX	42B-HMG-GAC-GXXP-XST
	External		42B-CMD-GAB-GXXP-XXX	42B-HMH-GAD-GXXP-XST
M7	Internal	Supply #3 port	42B-CMB-LAA-GXXP-XXX	42B-HMF-LAC-GXXP-XST
	Internal	Supply #5 port	42B-CMC-LAA-GXXP-XXX	42B-HMG-LAC-GXXP-XST
	External		42B-CMD-LAB-GXXP-XXX	42B-HMH-LAD-GXXP-XST

STANDARD SOLENOID OPERATOR >

G XX P-XXX*

XX Voltage	X Manual operator	XX Electrical connection
AA 120 V~/2,5W	1 Non-locking	Double solenoid & 3 position models
DC 24 V=/1,8W	2 Locking	ST Base plug-in
DD 24 V=/2,5W		Single solenoid models
DF 24 V=/4,0W		SA Base plug-in
		SJ Base plug-in with light
		SS Base plug-in with rectifier & light & ground

Note : AC voltage requires connector with rectifier (for double solenoid consult factory).
 * Other options available, see page 387.
 Other options available for the 42 series valves, see page 154.

31
33
34
36
32
37
38
52
53
54
67
68
69
41
43
44
23
24
46
42
47
48P
48
400
92
83
93
ISO 01
ISO 02
ISO 1
ISO 2
ISO 3



100%
OF
PRODUCTION
TESTED
100%

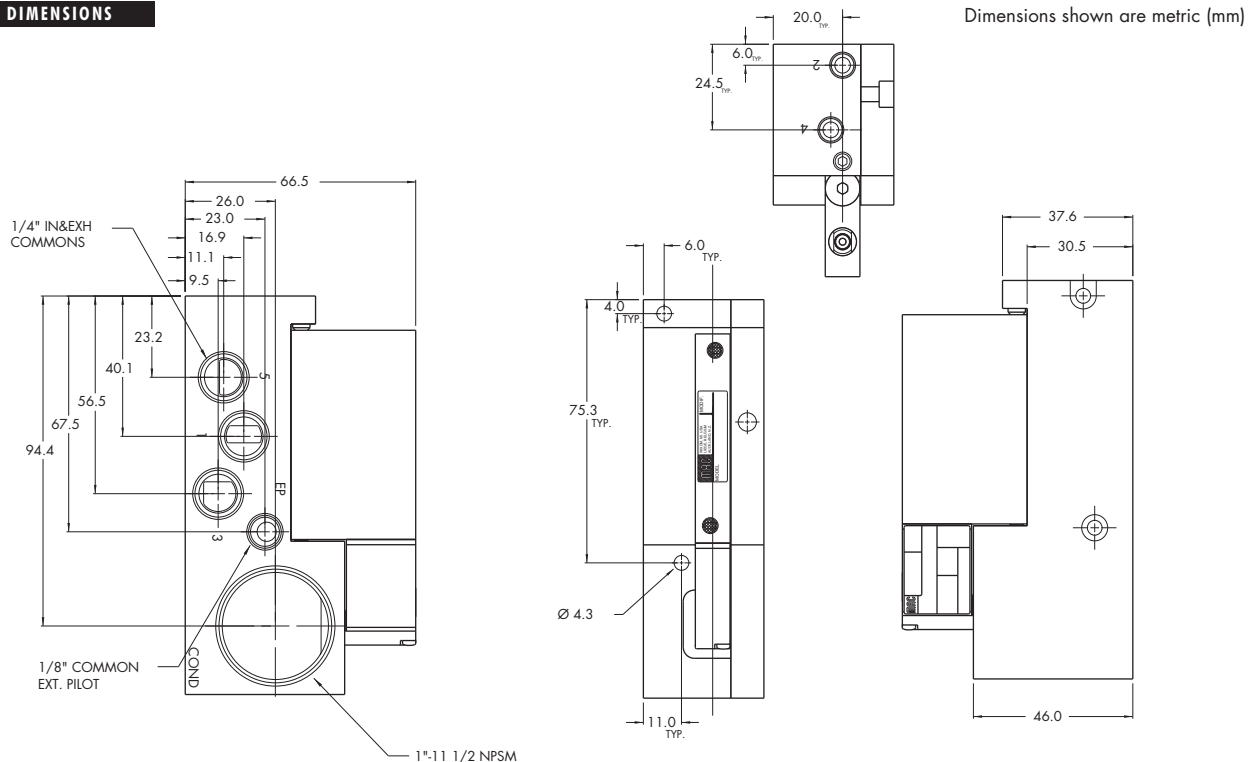
WARRANTY
18
MONTHS

TECHNICAL DATA

Fluid :	Compressed air, vacuum, inert gases
Pressure range :	Internal Pilot - 2 pos. : 1,3 to 8 bar 3 pos. : 2,3 to 8 bar External Pilot : vacuum to 8 bar
Pilot pressure :	2 position : 1,3 to 8 bar 3 position : 2,3 to 8 bar
Lubrication :	Not required, if used select a medium aniline point lubricant (between 80°C and 100°C)
Filtration :	40 µ
Temperature range :	-18°C to +50°C
Orifice :	3,8 mm
Flow (at 6 bar, ΔP=1bar) :	M7: 400 NI/min (Cv 0,4) – M5: 350 NI/min (Cv 0,35)
Coil :	Epoxy encapsulated – 100% ED – Class A wire
Voltage range :	-15% to +10% of nominal voltage
Protection :	IP54 (electrical connection)
Power :	1.0 to 4.0 W
Response times : (with 24V 4 W coil)	Energize : 5 ms De-energize : 5 ms

- Options :
- NPTF ports
 - Sandwich flow controls : FC42B-AB
 - Sandwich regulator : see 'Regulator' section

DIMENSIONS



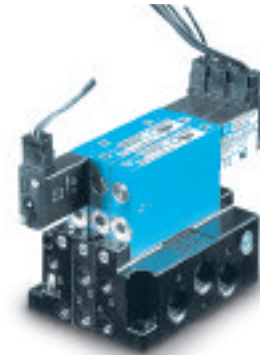


Direct solenoid and solenoid pilot operated valves

Function	Port size	Flow [Max]	Manifold mounting	Series
5/2, 5/3	M5, M7	400 NI/min	Manifold base non "plug-in"	

OPERATIONAL BENEFITS

1. 4-way valve with 4-way integral pilot.
2. 10 mm valve (stacks on 10,5 mm centres).
3. High flow (up to 400 NI/min).
4. Fast repeatable response times.
5. Maximum shifting forces in both directions.
6. Long life.



HOW TO ORDER

SINGLE PRESSURE MODELS (MIDDLE STATION MANIFOLDS WITH SIDE PORTS)

Port size	Pilot air	5/2 Single solenoid	5/2 Double solenoid	5/3 Closed centre	5/3 Open centre
Valve less base	Internal	42B-AMA-000-Gxxx-xxx	42B-BMA-000-Gxxx-xxx	42B-EMA-000-Gxxx-xxx	42B-FMA-000-Gxxx-xxx
	External	42B-AMD-000-Gxxx-xxx	42B-BMD-000-Gxxx-xxx	42B-EMD-000-Gxxx-xxx	42B-FMD-000-Gxxx-xxx
M5	Internal	42B-AMA-GJL-Gxxx-xxx	42B-BMA-GJL-Gxxx-xxx	42B-EMA-GJL-Gxxx-xxx	42B-FMA-GJL-Gxxx-xxx
	External	42B-AMD-GJM-Gxxx-xxx	42B-BMD-GJM-Gxxx-xxx	42B-EMD-GJM-Gxxx-xxx	42B-FMD-GJM-Gxxx-xxx
M7	Internal	42B-AMA-LJL-Gxxx-xxx	42B-BMA-LJL-Gxxx-xxx	42B-EMA-LJL-Gxxx-xxx	42B-FMA-LJL-Gxxx-xxx
	External	42B-AMD-LJM-Gxxx-xxx	42B-BMD-LJM-Gxxx-xxx	42B-EMD-LJM-Gxxx-xxx	42B-FMD-LJM-Gxxx-xxx

DUAL PRESSURE MODELS (MIDDLE STATION MANIFOLDS WITH SIDE PORTS)

Port size	Pilot air	5/2 Single solenoid	5/2 Double solenoid	5/3 Pressure centre
Valve less base	Internal	Supply #3 port	42B-CMB-000-Gxxx-xxx	42B-DMB-000-Gxxx-xxx
		Supply #5 port	42B-CMC-000-Gxxx-xxx	42B-DMC-000-Gxxx-xxx
	External		42B-CMD-000-Gxxx-xxx	42B-DMD-000-Gxxx-xxx
M5	Internal	Supply #3 port	42B-CMB-GJL-Gxxx-xxx	42B-DMB-GJL-Gxxx-xxx
		Supply #5 port	42B-CMC-GJL-Gxxx-xxx	42B-DMC-GJL-Gxxx-xxx
	External		42B-CMD-GJM-Gxxx-xxx	42B-DMD-GJM-Gxxx-xxx
M7	Internal	Supply #3 port	42B-CMB-LJL-Gxxx-xxx	42B-DMB-LJL-Gxxx-xxx
		Supply #5 port	42B-CMC-LJL-Gxxx-xxx	42B-DMC-LJL-Gxxx-xxx
	External		42B-CMD-LJM-Gxxx-xxx	42B-DMD-LJM-Gxxx-xxx

STANDARD SOLENOID OPERATOR >

G **XXX-XXX***

XX	Voltage	X	Wire length	X	Manual operator	XX	Electrical connection
AA	120 V~/2,5W	A	45 cm	1	Non-locking	BA	Flying leads
DC	24 V~/1,8W	B	60 cm	2	Locking	BT	Flying leads with light
DD	24 V~/2,5W	C	90 cm			GA	MAC JAC Solenoid plug-in
DF	24 V~/4,0W					KA	Mini connector
						KT	Mini connector with light
						KD	Mini connector with rectifier & light & ground

Note : - AC voltage requires connector with rectifier.

* Other options available, see page 387.

Latching solenoid available for 5/2 valves.

Manifold assemblies consist of (1) left end manifold, (1) right end manifold, and middle station manifolds (options "J" or "K").

Other options available for the 42 series valves, see page 153.

31
33
34
36
32
37
38
52
53
54
67
68
69
41
43
44
23
24
46
42
47
48P
48
400
92
83
93
ISO 01
ISO 02
ISO 1
ISO 2
ISO 3



100%
OF
PRODUCTION
TESTED
100%

WARRANTY
18
MONTHS

TECHNICAL DATA

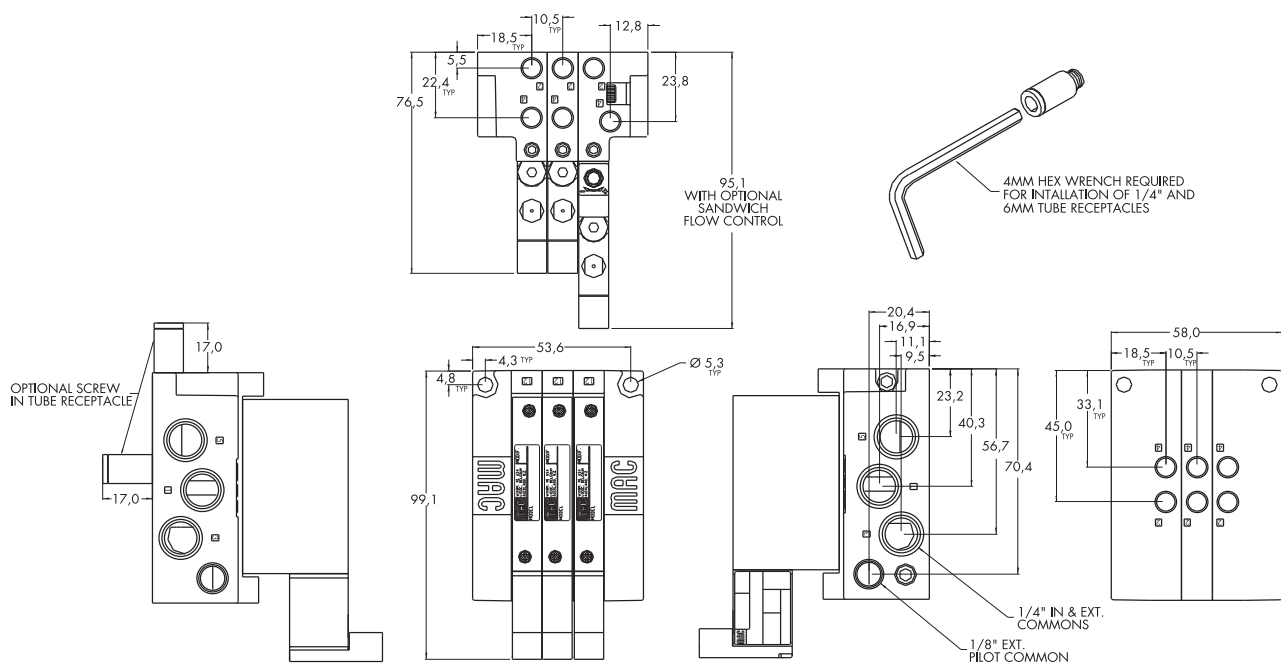
Fluid :	Compressed air, vacuum, inert gases
Pressure range :	Internal Pilot - 2 pos. : 1,3 to 8 bar 3 pos. : 2,3 to 8 bar External Pilot : vacuum to 8 bar
Pilot pressure :	2 position : 1,3 to 8 bar 3 position : 2,3 to 8 bar
Lubrication :	Not required, if used select a medium aniline point lubricant (between 80°C and 100°C)
Filtration :	40 µ
Temperature range :	-18°C to +50°C
Orifice :	3,8 mm
Flow (at 6 bar, ΔP=1bar) :	M7: 400 NI/min (Cv 0,4) – M5: 350 NI/min (Cv 0,35)
Coil :	Epoxy encapsulated – 100% ED – Class A wire
Voltage range :	-15% to +10% of nominal voltage
Protection :	IP54 (electrical connection)
Power :	1.0 to 4.0 W
Response times :	Energize : 5 ms De-energize : 5 ms

Options :

- NPTF threads • Sandwich flow controls : FC42B-BB
- Sandwich regulator : see "regulators" section • Isolator disk for inlet and exhaust: 28454
- Valve blanking plate : M-42004

DIMENSIONS

Dimensions shown are metric (mm)





Direct solenoid and solenoid pilot operated valves

Function	Port size	Flow [Max]	Manifold mounting	Series
5/2, 5/3	M5, M7	400 NI/min	Manifold base "plug-in"	

OPERATIONAL BENEFITS

1. 4-way valve with 4-way integral pilot.
2. 10 mm valve (stacks on 10,5 mm centres).
3. High flow (up to 400 NI/min).
4. Fast repeatable response times.
5. Maximum shifting forces in both directions.
6. Long life.



HOW TO ORDER

SINGLE PRESSURE MODELS (LED STANDARD EXCEPT FOR SINGLE SOLENOIDS)

Port size	Pilot air	5/2 Single solenoid	5/2 Double solenoid	5/3 Closed centre	5/3 Open centre
Valve less base	Internal	42B-AMA-000-GxxP-xxx	42B-BME-000-GxxP-xST	42B-EME-000-GxxP-xST	42B-FME-000-GxxP-xST
	External	42B-AMD-000-GxxP-xxx	42B-BMH-000-GxxP-xST	42B-EMH-000-GxxP-xST	42B-FMH-000-GxxP-xST
M5	Internal	42B-AMA-GJA-GxxP-xxx	42B-BME-GJC-GxxP-xST	42B-EME-GJC-GxxP-xST	42B-FME-GJC-GxxP-xST
	External	42B-AMD-GJB-GxxP-xxx	42B-BMH-GJD-GxxP-xST	42B-EMH-GJD-GxxP-xST	42B-FMH-GJD-GxxP-xST
M7	Internal	42B-AMA-LJA-GxxP-xxx	42B-BME-LJC-GxxP-xST	42B-EME-LJC-GxxP-xST	42B-FME-LJC-GxxP-xST
	External	42B-AMD-LJB-GxxP-xxx	42B-BMH-LJD-GxxP-xST	42B-EMH-LJD-GxxP-xST	42B-FMH-LJD-GxxP-xST

DUAL PRESSURE MODELS (LED STANDARD EXCEPT FOR SINGLE SOLENOIDS)

Port size	Pilot air	5/2 Single solenoid	5/2 Double solenoid	5/3 Pressure centre
Valve less base	Internal	Supply #3 port	42B-CMB-000-GxxP-xxx	42B-DMF-000-GxxP-xST
		Supply #5 port	42B-CMC-000-GxxP-xxx	42B-DMG-000-GxxP-xST
	External		42B-CMD-000-GxxP-xxx	42B-DMH-000-GxxP-xST
M5	Internal	Supply #3 port	42B-CMB-GJA-GxxP-xxx	42B-DMF-GJC-GxxP-xST
		Supply #5 port	42B-CMC-GJA-GxxP-xxx	42B-DMG-GJC-GxxP-xST
	External		42B-CMD-GJB-GxxP-xxx	42B-DMH-GJD-GxxP-xST
M7	Internal	Supply #3 port	42B-CMB-LJA-GxxP-xxx	42B-DMF-LJC-GxxP-xST
		Supply #5 port	42B-CMC-LJA-GxxP-xxx	42B-DMG-LJC-GxxP-xST
	External		42B-CMD-LJB-GxxP-xxx	42B-DMH-LJD-GxxP-xST

STANDARD SOLENOID OPERATOR >

G **XX** P-**XXX***

XX Voltage	X Manual operator	XX Electrical connection
AA 120 V~/2,5W	1 Non-locking	ST Base plug-in
DC 24 V~/1,8W	2 Locking	SA Base plug-in
DD 24 V~/2,5W		SJ Base plug-in with light
DF 24 V~/4,0W		SS Base plug-in with rectifier & light & ground

* Other options available, see page 387.

** Latching solenoid available for 5/2 valves.

Note : - AC voltage requires connector with rectifier (for double solenoid consult factory).
- Manifold assemblies consist of (1) left end manifold, (1) right end manifold, and middle station manifolds (options "J" or "K").

Other options available for the 42 series valves, see page 154.

31
33
34
36
32
37
38
52
53
54
67
68
69
41
43
44
23
24
46
42
47
48P
48
400
92
83
93
ISO 01
ISO 02
ISO 1
ISO 2
ISO 3



100%
OF
PRODUCTION
TESTED
100%

WARRANTY
18
MONTHS

TECHNICAL DATA

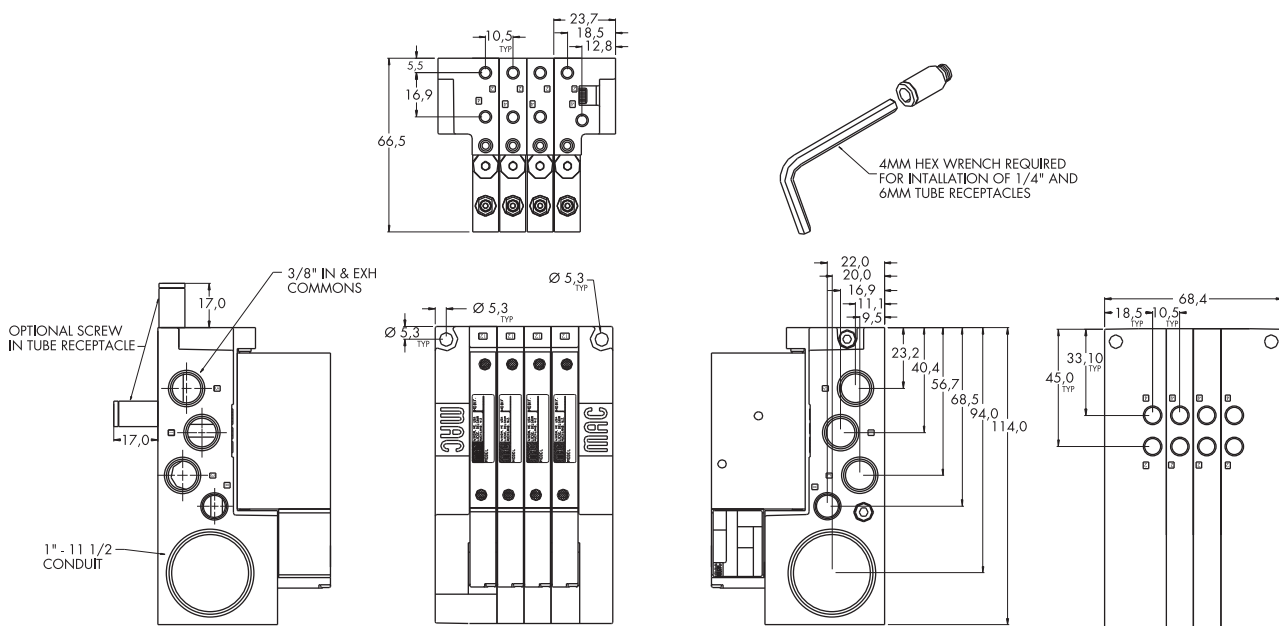
Fluid :	Compressed air, vacuum, inert gases
Pressure range :	Internal Pilot - 2 pos. : 1,3 to 8 bar 3 pos. : 2,3 to 8 bar External Pilot : vacuum to 8 bar
Pilot pressure :	2 position : 1,3 to 8 bar 3 position : 2,3 to 8 bar
Lubrication :	Not required, if used select a medium aniline point lubricant (between 80°C and 100°C)
Filtration :	40 µ
Temperature range :	-18°C to +50°C
Orifice :	3,8 mm
Flow (at 6 bar, ΔP=1bar) :	M7: 400 NI/min (Cv 0,4) – M5: 350 NI/min (Cv 0,35)
Coil :	Epoxy encapsulated – 100% ED – Class A wire
Voltage range :	-15% to +10% of nominal voltage
Protection :	IP54 (electrical connection)
Power :	1.0 to 4.0 W
Response times :	Energize : 5 ms (with 24V 4 W coil) De-energize : 5 ms

Options :

- NPTF threads • Sandwich flow controls : FC42B-AB
- Sandwich regulator : see "regulators" section • Isolator disk for inlet and exhaust: 28454
- Valve blanking plate : M-42004 • Plug-in wire protector : 24180

DIMENSIONS

Dimensions shown are metric (mm)





Direct solenoid and solenoid pilot operated valves

Function	Port size	Flow [Max]	Individual/Manifold mounting	Series
5/2	M5, M7	400 NI/min	Sub-base/ manifold base non "plug-in" with latching solenoid	

OPERATIONAL BENEFITS

1. 4-way valve with 4-way integral pilot.
2. 10 mm valve (stacks on 10,5 mm centres).
3. High flow (up to 400 NI/min).
4. Fast repeatable response times.
5. Maximum shifting forces in both directions.
6. Long life.



HOW TO ORDER

SINGLE PRESSURE MODELS

Port size	Pilot air	5/2 Single pressure	
Valve less base	Internal	42B-AMA-000-LXXX-XXX	
	External	42B-AMD-000-LXXX-XXX	
M5	Internal	42B-AMA-GAL-LXXX-XXX	
	External	42B-AMD-GAM-LXXX-XXX	
M7	Internal	42B-AMA-LAL-LXXX-XXX	
	External	42B-AMD-LAM-LXXX-XXX	

DUAL PRESSURE MODELS

Port size	Pilot air		5/2 Dual pressure	
Valve less base	Internal	Supply #3 port	42B-CMB-000-LXXX-XXX	
		Supply #5 port	42B-CMC-000-LXXX-XXX	
	External		42B-CMD-000-LXXX-XXX	
M5	Internal	Supply #3 port	42B-CMB-GAL-LXXX-XXX	
		Supply #5 port	42B-CMC-GAL-LXXX-XXX	
	External		42B-CMD-GAM-LXXX-XXX	
M7	Internal	Supply #3 port	42B-CMB-LAL-LXXX-XXX	
		Supply #5 port	42B-CMC-LAL-LXXX-XXX	
	External		42B-CMD-LAM-LXXX-XXX	

LATCHING SOLENOID OPERATOR >

L XXX-XXX *		L XXX-XXX *		L XXX-XXX *		L XXX-XXX *	
XX Voltage	X Wire length	X Manual operator	XX Electrical connection	XX Voltage	X Wire length	X Manual operator	XX Electrical connection
DF 24 VDC (4,0 W)	A 45 cm	0 No operator	BA 2 Wire Flying leads	DF 24 VDC (4,0 W)	A 45 cm	0 No operator	KA 2 Wire Plug-in Assembly
HA 24 VDC (1,95 W)	B 60 cm		LA 3 wire plug-in assembly (polarity switching cover)	HA 24 VDC (1,95 W)	B 60 cm		KE 4-wire plug-in assembly
	C 90 cm				C 90 cm		

* Other options available, see page 395.

Note : Manifold assemblies consist of (1) left end manifold, (1) right end manifold, and middle station manifolds (options "J" or "K"). Other options available for the 42 series valves, see page 153.

31
33
34
36
32
37
38
52
53
54
67
68
69
41
43
44
23
24
46
42
47
48P
48
400
92
83
93
ISO 01
ISO 02
ISO 1
ISO 2
ISO 3

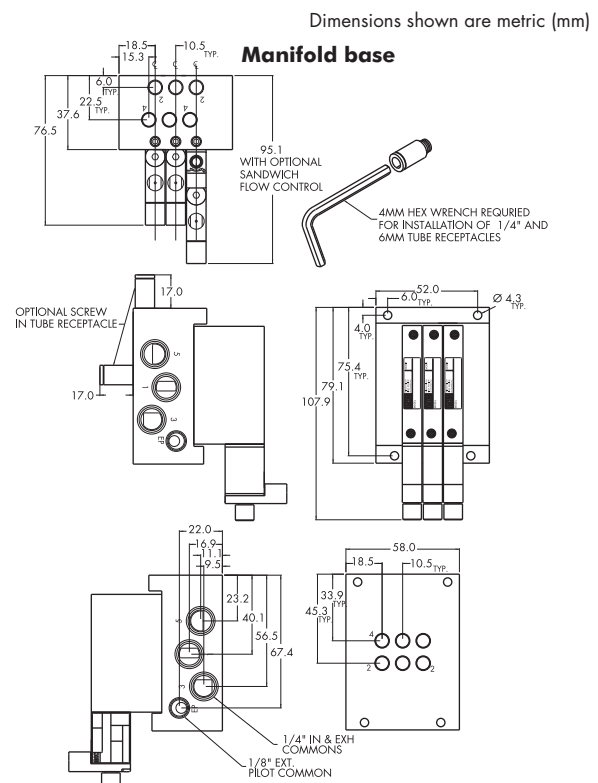
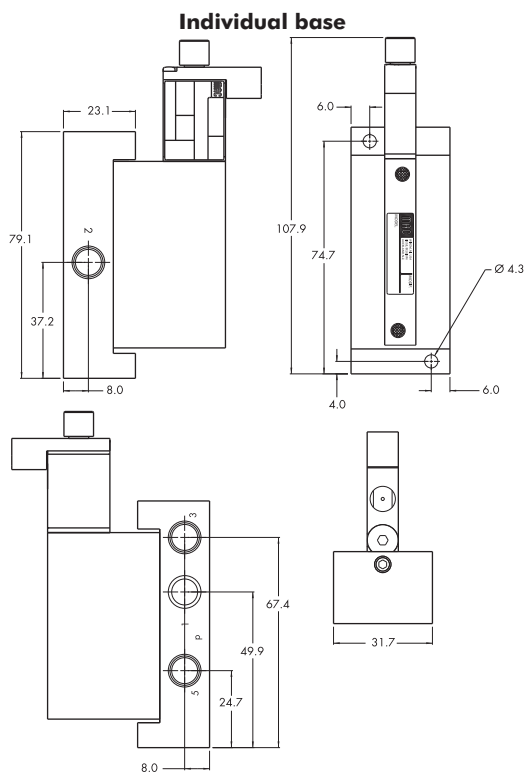
TECHNICAL DATA

Fluid :	Compressed air, vacuum, inert gases
Pressure range :	Internal Pilot - 2 pos. : 1,3 to 8 bar 3 pos. : 2,3 to 8 bar External Pilot : vacuum to 8 bar
Pilot pressure :	2 position : 1,3 to 8 bar 3 position : 2,3 to 8 bar
Lubrication :	Not required, if used select a medium aniline point lubricant (between 80°C and 100°C)
Filtration :	40 µ
Temperature range :	-18°C to +50°C
Orifice :	3,8 mm
Flow (at 6 bar, ΔP=1bar) :	M7: 400 NI/min (Cv 0,4) – M5: 350 NI/min (Cv 0,35)
Coil :	Epoxy encapsulated – 100% ED – Class A wire
Voltage range :	-15% to +10% of nominal voltage
Protection :	IP54 (electrical connection)
Power :	1.95 to 4.0 W
Response times :	Energize : 5 ms De-energize : 5 ms

Options :

- NPTF threads • Sandwich flow controls : FC42B-BB
- Sandwich regulator : see "regulators" section • Isolator disk for inlet and exhaust: 28454
- Valve blanking plate : M-42004

DIMENSIONS



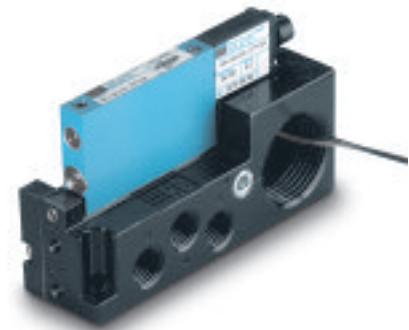


Direct solenoid and solenoid pilot operated valves

Function	Port size	Flow [Max]	Individual/Manifold mounting	Series
5/2	M5, M7	400 NI/min	Subbase/ manifold base "plug-in" with latching solenoid	

OPERATIONAL BENEFITS

1. 4-way valve with 4-way integral pilot.
2. 10 mm valve (stacks on 10,5 mm centres).
3. High flow (up to 400 NI/min).
4. Fast repeatable response times.
5. Maximum shifting forces in both directions.
6. Long life.



HOW TO ORDER

SINGLE PRESSURE MODELS

Port size	Pilot air	5/2 Single pressure	
Valve less base	Internal	42B-AMA-000-LxxP-xxx	
	External	42B-AMD-000-LxxP-xxx	
M5	Internal	42B-AMA-GAA-LxxP-xxx	
	External	42B-AMD-GAB-LxxP-xxx	
M7	Internal	42B-AMA-LAA-LxxP-xxx	
	External	42B-AMD-LAB-LxxP-xxx	

DUAL PRESSURE MODELS

Port size	Pilot air		5/2 Dual pressure	
Valve less base	Internal	Supply #3 port	42B-CMB-000-LxxP-xxx	
		Supply #5 port	42B-CMC-000-LxxP-xxx	
	External		42B-CMD-000-LxxP-xxx	
M5	Internal	Supply #3 port	42B-CMB-GAA-LxxP-xxx	
		Supply #5 port	42B-CMC-GAA-LxxP-xxx	
	External		42B-CMD-GAB-LxxP-xxx	
M7	Internal	Supply #3 port	42B-CMB-LAA-LxxP-xxx	
		Supply #5 port	42B-CMC-LAA-LxxP-xxx	
	External		42B-CMD-LAB-LxxP-xxx	

LATCHING SOLENOID OPERATOR >

L XX P- XXX *		
XX Voltage	X Manual operator	XX Electrical connection**
DF 24 VDC/4,0W	0 No operator	DA Plug-in
HA 24 VDC/1,95W		EA Plug-in 3 pin (polarity switching cover)

* Other options available, see page 395.

** For latching solenoid 2 and 4 wire, use electrical connector DA, DB, DC or DD. For 3 wire latching, use the "EA" connector. Other options available for the 42 series valves, see page 154.

31

33

34

36

32

37

38

52

53

54

67

68

69

41

43

44

23

24

46

42

47

48P

48

400

92

83

93

ISO 01

ISO 02

ISO 1

ISO 2

ISO 3

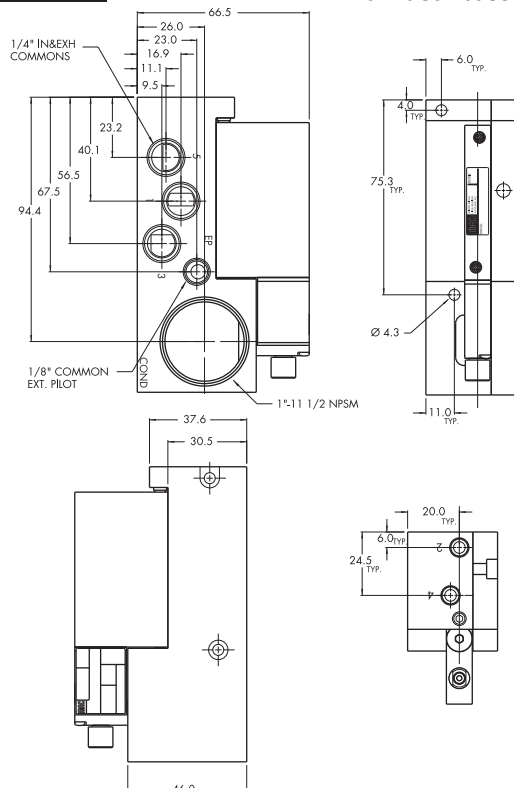
TECHNICAL DATA

Fluid :	Compressed air, vacuum, inert gases
Pressure range :	Internal Pilot - 2 pos. : 1,3 to 8 bar 3 pos. : 2,3 to 8 bar External Pilot : vacuum to 8 bar
Pilot pressure :	2 position : 1,3 to 8 bar 3 position : 2,3 to 8 bar
Lubrication :	Not required, if used select a medium aniline point lubricant (between 80°C and 100°C)
Filtration :	40 µ
Temperature range :	-18°C to +50°C
Orifice :	3,8 mm
Flow (at 6 bar, ΔP=1bar) :	M7: 400 NI/min (Cv 0,4) – M5: 350 NI/min (Cv 0,35)
Coil :	Epoxy encapsulated – 100% ED – Class A wire
Voltage range :	-15% to +10% of nominal voltage
Protection :	IP54 (electrical connection)
Power :	1.95 to 4.0 W
Response times :	Energize : 5 ms De-energize : 5 ms

Options :

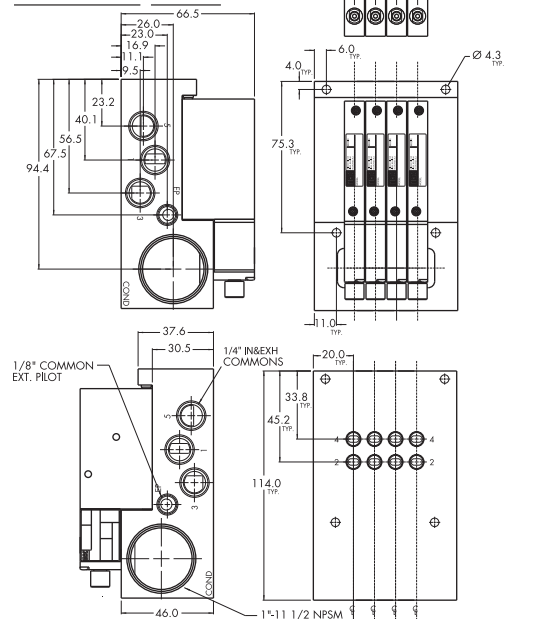
- NPTF threads • Sandwich flow controls : FC42B-AB
- Sandwich regulator : see "regulators" section • Isolator disk for inlet and exhaust: 28454
- Valve blanking plate : M-42004 • Plug-in wire protector : 24180

DIMENSIONS



Dimensions shown are metric (mm)

Port	A Dim.
M4 Tube Fitting	2.70
M5 or 10-32	3.20
M7	3.40



OPTIONS FOR NON PLUG-IN VALVES

Base type :

Individual base

42B-XXX-XAX-Gxxx-xxx

- A Individual base – Side port
- B Individual base – Bottom port

Manifold base

42B-XXX-XJX-Gxxx-xxx

- J Manifold base – Side ports
- K Manifold base – Bottom ports
- L Left end manifold base – Side ports
- M Left end manifold base – Bottom ports
- N Right end manifold base – Side ports
- P Right end manifold base – Bottom ports

Universal spool

42B-RXX-XXX-Gxxx-xxx

- R 2 position single solenoid universal spool
- S 2 position double solenoid universal spool

Base only :

42B-000-XXX (i.e. 42B-000-GAL) - Individual base

42B-000-XXX (i.e. 42B-000-GJL) - Manifold base

Pilot style :

42B-XXM-XXX-Gxxx-xxx

- M Pilot exhaust muffled
- R Pilot exhaust piped (M5)
- U Pilot exhaust to main exhaust

Base/Manifold configurations for LATCHING SOLENOID VALVES :

42A-xxx-xAx-Lxxx-xxx

- A Individual base – Side port
- B Individual base – Bottom port
- J Manifold base – Side ports
- K Manifold base – Bottom ports
- L Left end manifold base - Side ports
- M Left end manifold base - Bottom ports
- N Right end manifold base - Side ports
- P Right end manifold base - Bottom ports

31

33

34

36

32

37

38

52

53

54

67

68

69

41

43

44

23

24

46

42

47

48P

48

400

92

83

93

ISO 01

ISO 02

ISO 1

ISO 2

ISO 3



Direct solenoid and solenoid pilot operated valves

OPTIONS FOR PLUG-IN VALVES

Base type :

Individual base

42B-XXX-XAX-GxxP-xxx

- A Individual base – Side port
- B Individual base – Bottom port

Manifold base

42B-XXX-XJX-GxxP-xxx

- J Manifold base – Side ports
- K Manifold base – Bottom ports
- L Left end manifold base – Side ports
- M Left end manifold base – Bottom ports
- N Right end manifold base – Side ports
- P Right end manifold base – Bottom ports

Universal spool

42B-RXX-XXX-GxxP-xxx

- R 2 position single solenoid universal spool
- S 2 position double solenoid universal spool

Base only :

42B-000-XXX (i.e. 42B-000-GAC)

- Individual base wired for a double solenoid

42B-000-XXX (i.e. 42B-000-GJC)

- Manifold base wired for a single solenoid

For LED with diode (2 & 3 position double solenoid valves)

42B-XXJ-XXX-GxxP-xGA

- J Internal pilot single pressure
- K Internal pilot dual pressure supply from #3 port
- L Internal pilot dual pressure supply from #5 port
- M External pilot

Pilot style :

42B-XXM-XXX-GxxP-xxx

- M Pilot exhaust muffled
- R Pilot exhaust piped (M5)
- U Pilot exhaust to main exhaust

Base/Manifold configurations for LATCHING SOLENOID VALVES :

42A-xxx-xAx-LxxP-xxx

- A Individual base – Side port
- B Individual base – Bottom port
- J Manifold base – Side ports
- K Manifold base – Bottom ports
- L Left end manifold base - Side ports
- M Left end manifold base - Bottom ports
- N Right end manifold base - Side ports
- P Right end manifold base - Bottom ports

Base/Manifold options for int./ext. pilot for LATCHING SOLENOID VALVES :

42A-xxx-xxA-LxxP-xxx

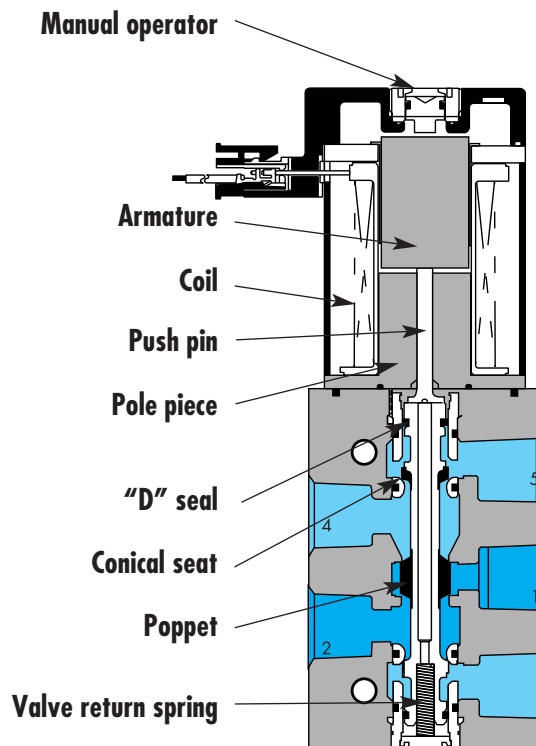
- A Plug-in Int. Pilot – 2 Wire Latching
- B Plug-in Ext. Pilot – 2 Wire Latching
- C Plug-in Int. Pilot – 3 Wire Latching
- D Plug-in Ext. Pilot – 3 Wire Latching
- E Plug-in Int. Pilot – 4 Wire Latching
- F Plug-in Ext. Pilot – 4 Wire Latching

Individual mounting

Inline	Sub-base non "plug-in"
--------	------------------------

Manifold mounting

Stacking	Manifold base "plug-in"
----------	-------------------------



SERIES FEATURES

- Short stroke solenoid produces high energization shifting force.
- High force return spring due to high force solenoid maximizes both energization and de-energization shifting forces.
- Built-in wear compensation - valve stroke is shorter than solenoid stroke.
- Four (4) bonded balanced poppets on a one-piece valve stem.
- End poppets seal first on conical seats and cushion inlet poppet, eliminating cutting.
- Exhaust seals are not under inlet pressure thus reducing friction.
- Short stroking balanced poppet allows for direct solenoid operation with high shifting forces, minimized friction, fast response and high flow in a small package.

Series

31

33

34

36

32

37

38

52

53

54

67

68

69

41

43

44

23

24

46

42

47

48P

48

400

92

83

93

ISO 01

ISO 02

ISO 1

ISO 2

ISO 3



Direct solenoid and solenoid pilot operated valves

Function	Port size	Flow [Max]	Individual Mounting	Series
5/2	G1/8" - G1/4"	500 NI/min	Inline	

OPERATIONAL BENEFITS

- Short stroke solenoid produces high energization shifting force.
- High force return spring due to high force solenoid maximizes both energization and de-energization shifting forces.
- Built-in wear compensation – valve stroke is shorter than solenoid stroke.
- Four bonded balanced poppets on a one-piece valve stem.
- End poppets seal first on conical seats and cushion inlet poppet, eliminating cutting.
- Exhaust seals are not under inlet pressure thus reducing friction.
- Integral non-rising flow controls available on inline models.
- Short stroking balanced poppet allows for direct solenoid operation with high shifting forces, minimized friction, fast response and high flow in a small package.



HOW TO ORDER

Port size	Without flow controls	With flow controls
G1/8"	47A-ACO-H XXX-XXX	47A-BCO-H XXX-XXX
G1/4"	47A-ADO-H XXX-XXX	47A-BDO-H XXX-XXX

SOLENOID OPERATOR >

H XXX-XXX *

XX Voltage	X Lead Wire length	X Manual operator	XX Electrical connection
DA 24V=/5,2W	A 45 cm	1 Non-locking	MA Plug-in wire assembly
DB 24V=/2,4W	B 60 cm	2 Locking	MC Plug-in wire assembly with light
DC 24V=/1,8W	C 90 cm		BA Flying leads
DD 24V=/1,0W			BC Flying leads with light
AA 120V~/6,7W			MT Plug-in wire assembly with rectifier & light

* Other options available, see page 391.
Note: AC voltage requires connector with rectifier.

LATCHING OPERATOR >

L XXX-XXX *

XX Voltage	X Lead Wire length	X Manual operator	XX Electrical connection
DA 24V=/5,2W	A 45 cm	0 No operator	BA 2 Wire Flying leads
DF 12V~/5,2W	B 60 cm		BJ 4 Wire Flying leads
	C 90 cm		LA 3 Wire Plug-in (Polarity switching cover)
			MA 2 Wire Plug-in
			ME 4 Wire Plug-in

* Other options available, see page 395.

Options :
Mani Mount Option (w/o flow controls)

47A-CXO-HXXX-XXX	C 1/8" BSPP
	D 1/4" BSPP

31
33
34
36
32
37
38
52
53
54
67
68
69
41
43
44
23
24
46
42
47
48P
48
400
92
83
93
ISO 01
ISO 02
ISO 1
ISO 2
ISO 3

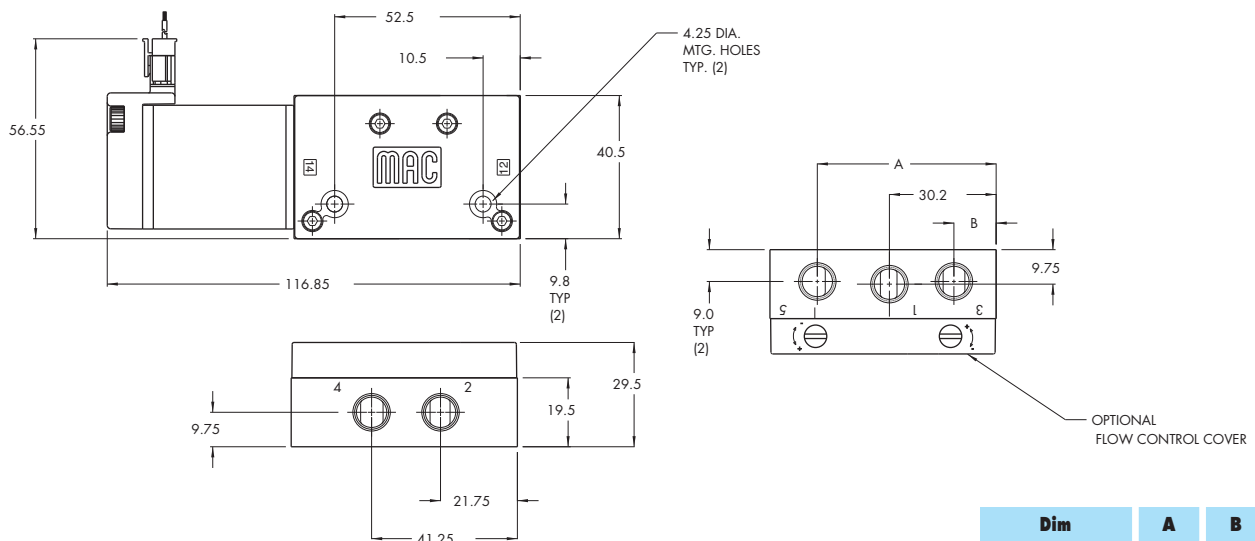
TECHNICAL DATA

Fluid :	Compressed air, vacuum, inert gases
Pressure range :	Vacuum to 8 bar
Lubrication :	Not required, if used select a medium aniline point lubricant (between 80°C and 100°C)
Filtration :	40 µ
Temperature range :	-18°C to +50°C
Orifice :	4,3 mm
Flow (at 6 bar, ΔP=1bar) :	5,2W : 500 NI/min (Cv 0,50) – 2,4W : 350NI/min (Cv 0,35) – 1,0W : 300 NI/min (Cv 0,30)
Coil :	Epoxy encapsulated – 100% ED
Voltage range :	-15% to +10% of nominal voltage
Protection :	IP54 (electrical connection)
Power :	5,2W – 2,4W – 1,0W
Response times :	Energize : 17,4 ms
(with 5,2 W coil)	De-energise : 3,8 ms

- Options :
- NPTF threads
- Spare parts :
- Flow control assembly : N-47004

DIMENSIONS

Dimensions shown are metric (mm)



Dim	A	B
1/8"	50.6	11.95
1/4"	49.2	11.2



Direct solenoid and solenoid pilot operated valves

Function	Port size	Flow [Max]	Individual Mounting	Series
5/2	G1/8" - G1/4"	500 NI/min	Subbase non "plug-in"	

OPERATIONAL BENEFITS

- Short stroke solenoid produces high energization shifting force.
- High force return spring due to high force solenoid maximizes both energization and de-energization shifting forces.
- Built-in wear compensation – valve stroke is shorter than solenoid stroke.
- Four bonded balanced poppets on a one-piece valve stem.
- End poppets seal first on conical seats and cushion inlet poppet, eliminating cutting.
- Exhaust seals are not under inlet pressure thus reducing friction.
- Integral non-rising flow controls available on inline models.
- Short stroking balanced poppet allows for direct solenoid operation with high shifting forces, minimized friction, fast response and high flow in a small package.



HOW TO ORDER

Port size	Without flow controls	With flow controls
Valve less base	47A-L10-H xxx-xxx	47A-L10-H xxx-xxx
G1/8"	47A-LCA-H xxx-xxx	47A-LCB-H xxx-xxx
G1/4"	47A-LDA-H xxx-xxx	47A-LDB-H xxx-xxx

SOLENOID OPERATOR >

H XXX-XXX *

XX Voltage	X Wire length	X Manual operator	XX Electrical connection
DA 24V=/5,2W	A 45 cm	1 Non-locking	MA Plug-in wire assembly
DB 24V=/2,4W	B 60 cm	2 Locking	MC Plug-in wire assembly with light
DC 24V=/1,8W	C 90 cm		BA Flying leads
DD 24V=/1,0W			BC Flying leads with light
AA 120V~/6,7W			MT Plug-in wire assembly with rectifier & light

* Other options available, see page 391.
Note: AC voltage requires connector with rectifier.

LATCHING OPERATOR >

L XXX-XXX *

XX Voltage	X Lead Wire length	X Manual operator	XX Electrical connection
DA 24V=/5,2W	A 45 cm	0 No operator	BA 2 Wire Flying leads
DF 12V=/5,2W	B 60 cm		BJ 4 Wire Flying leads
	C 90 cm		LA 3 Wire Plug-in (Polarity switching cover)
			MA 2 Wire Plug-in
			ME 4 Wire Plug-in

* Other options available, see page 395.

31
33
34
36
32
37
38
52
53
54
67
68
69
41
43
44
23
24
46
42
47
48P
48
400
92
83
93
ISO 01
ISO 02
ISO 1
ISO 2
ISO 3

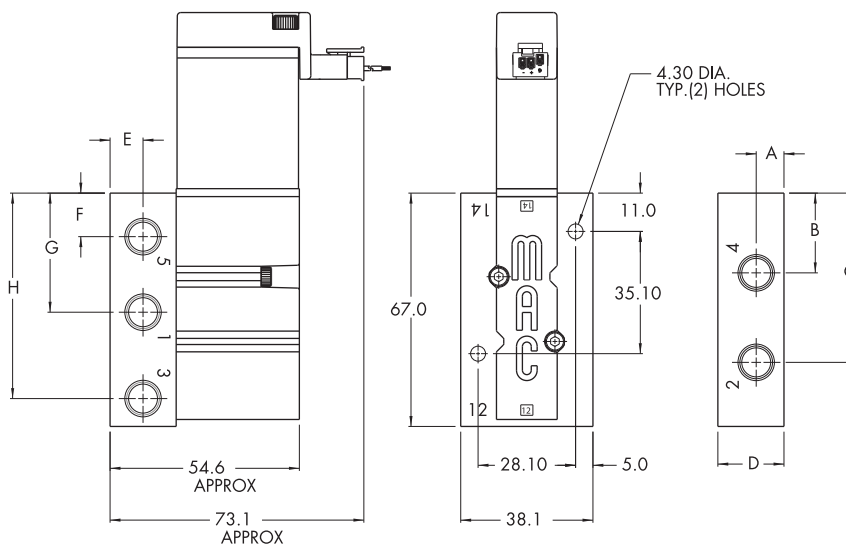
TECHNICAL DATA

Fluid :	Compressed air, vacuum, inert gases
Pressure range :	Vacuum to 8 bar
Lubrication :	Not required, if used select a medium aniline point lubricant (between 80°C and 100°C)
Filtration :	40 µ
Temperature range :	-18°C to +50°C
Orifice :	4,3 mm
Flow (at 6 bar, ΔP=1bar) :	5,2W : 500 NI/min (Cv 0,50) – 2,4W : 350NI/min (Cv 0,35) – 1,0W : 300 NI/min (Cv 0,30)
Coil :	Epoxy encapsulated – 100% ED
Voltage range :	-15% to +10% of nominal voltage
Protection :	IP54 (electrical connection)
Power :	5,2W – 2,4W – 1,0W
Response times : (with 5,2 W coil)	Energize : 17,4 ms De-energise : 3,8 ms

- Options :
- NPTF threads
- Spare parts :
- Pressure seal body to base: 16628
 - Mounting screw (x2): 35043
 - Flow control assembly (x2): N-04001

DIMENSIONS

Dimensions shown are metric (mm)





Direct solenoid and solenoid pilot operated valves

Function	Port size	Flow [Max]	Manifold Mounting	Series
5/2	G1/8" - G1/4"	500 NI/min	Stacking	

OPERATIONAL BENEFITS

- Short stroke solenoid produces high energization shifting force.
- High force return spring due to high force solenoid maximizes both energization and de-energization shifting forces.
- Built-in wear compensation – valve stroke is shorter than solenoid stroke.
- Four bonded balanced poppets on a one-piece valve stem.
- End poppets seal first on conical seats and cushion inlet poppet, eliminating cutting.
- Exhaust seals are not under inlet pressure thus reducing friction.
- Integral non-rising flow controls available on inline models.
- Short stroking balanced poppet allows for direct solenoid operation with high shifting forces, minimized friction, fast response and high flow in a small package.



HOW TO ORDER

Port size	Without flow controls	With flow controls
G1/8"	47A-SCO-H xxx-xxx	47A-TCO-H xxx-xxx
G1/4"	47A-SDO-H xxx-xxx	47A-TDO-H xxx-xxx

SOLENOID OPERATOR >

H **XXX-XXX***

XX Voltage	X Wire length	X Manual operator	XX Electrical connection
DA 24V=/5,2W	A 45 cm	1 Non-locking	MA Plug-in wire assembly
DB 24V=/2,4W	B 60 cm	2 Locking	MC Plug-in wire assembly with light
DC 24V=/1,8W	C 90 cm		BA Flying leads
DD 24V=/1,0W			BC Flying leads with light
AA 120V~/6,7W			MT Plug-in wire assembly with rectifier & light

* Other options available, see page 391.
Note: AC voltage requires connector with rectifier.

LATCHING OPERATOR >

L **XXX-XXX***

XX Voltage	X Lead Wire length	X Manual operator	XX Electrical connection
DA 24V=/5,2W	A 45 cm	0 No operator	BA 2 Wire Flying leads
DF 12V=/5,2W	B 60 cm		BJ 4 Wire Flying leads
	C 90 cm		LA 3 Wire Plug-in (Polarity switching cover)
			MA 2 Wire Plug-in
			ME 4 Wire Plug-in

* Other options available, see page 395.
End plate kit required: M-47013-01P (1/4" BSPP).

31
33
34
36
32
37
38
52
53
54
67
68
69
41
43
44
23
24
46
42
47
48P
48
400
92
83
93
ISO 01
ISO 02
ISO 1
ISO 2
ISO 3



100%
OF
PRODUCTION
TESTED
100%

WARRANTY
18
MONTHS

TECHNICAL DATA

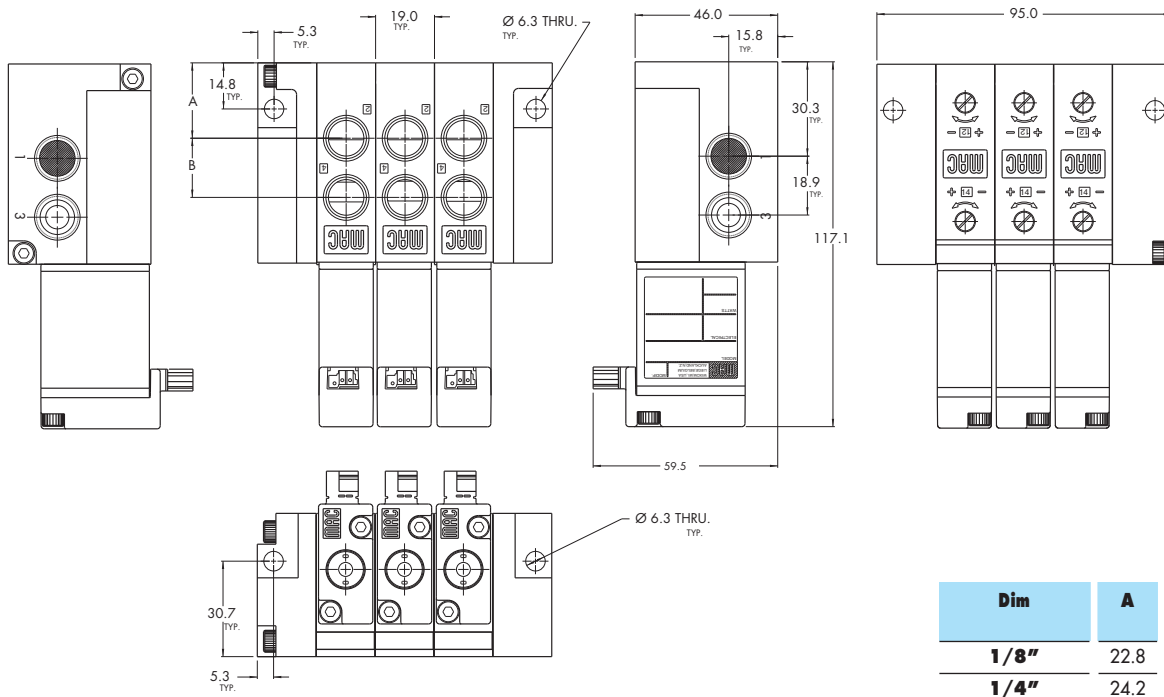
Fluid :	Compressed air, vacuum, inert gases
Pressure range :	Vacuum to 8 bar
Lubrication :	Not required, if used select a medium aniline point lubricant (between 80°C and 100°C)
Filtration :	40 µ
Temperature range :	-18°C to +50°C
Orifice :	4,3 mm
Flow (at 6 bar, ΔP=1bar) :	5,2W : 500 NI/min (Cv 0,50) – 2,4W : 350NI/min (Cv 0,35) – 1,0W : 300 NI/min (Cv 0,30)
Coil :	Epoxy encapsulated – 100% ED
Voltage range :	-15% to +10% of nominal voltage
Protection :	IP54 (electrical connection)
Power :	5,2W – 2,4W – 1,0W
Response times : (with 5,2 W coil)	Energize : 17,4 ms De-energise : 3,8 ms

Options : • NPTF threads

Spare parts : • Inlet isolator: 28451 • Exhaust isolator: N-47009 • Tie Rod (x2): 79057

DIMENSIONS

Dimensions shown are metric (mm)



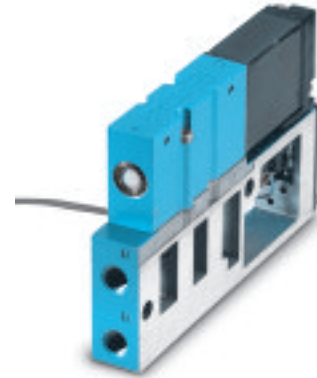


Direct solenoid and solenoid pilot operated valves

Function	Port size	Flow [Max]	Manifold Mounting	Series
5/2	G1/8" - G1/4"	500 NI/min	Manifold base "plug-in"	

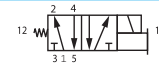
OPERATIONAL BENEFITS

- Short stroke solenoid produces high energization shifting force.
- High force return spring due to high force solenoid maximizes both energization and de-energization shifting forces.
- Built-in wear compensation – valve stroke is shorter than solenoid stroke.
- Four bonded balanced poppets on a one-piece valve stem.
- End poppets seal first on conical seats and cushion inlet poppet, eliminating cutting.
- Exhaust seals are not under inlet pressure thus reducing friction.
- Integral non-rising flow controls available on inline models.
- Short stroking balanced poppet allows for direct solenoid operation with high shifting forces, minimized friction, fast response and high flow in a small package.



HOW TO ORDER

Port size	Model number
Valve less base	
G1/8"	47A-L10-H xxP-xxx
G1/4"	47A-LCJ-H xxP-xxx 47A-LDJ-H xxP-xxx



SOLENOID OPERATOR >

H XX P-XXX*

XX Voltage	X Manual operator	XX Electrical connection
DA 24 V=/5,2W	1 Non-locking	FA Base plug-in
DB 24 V=/2,4W	2 Locking	FB Base plug-in w/ ground
DC 24 V=/1,8W		FC Base plug-in w/ LED light
DD 24 V=/1,0W		FD Base plug-in w/ LED light w/ ground
AA 120 V-=/6,7W		FT Base plug-in w/ rectifier and light

* Other options available, see page 391.
Note : AC voltage requires connector with rectifier.

LATCHING SOLENOID >

L XX P-XXX*

XX Voltage	X Manual operator	XX Electrical connection
DA 24 V=/5,2W	0 No operator	FA Base plug-in w/ ground
DF 12 V=/5,2W		FB Base plug-in w/ ground & LED
		FC Base plug-in 4 wire w/ ground
		FD Base Plug-in 4 wire w/ LED & ground

* Other options available, see page 395.

OPTIONS

47A-xxJ-Hxxx-xxx
J Manifold base, side cylinders (middle station)
K Manifold base, bottom cylinders (middle station)
L Right end manifold base, side cylinders
M Right end manifold base, bottom cylinders
N Left end manifold base, side cylinders
P Left end manifold base, bottom cylinders

Fastening kit required: N-47005-01.
Note: Manifold assemblies consist of (1) left end manifold, (1) right end manifold, and middle station manifolds.

31
33
34
36
32
37
38
52
53
54
67
68
69
41
43
44
23
24
46
42
47
48P
48
400
92
83
93
ISO 01
ISO 02
ISO 1
ISO 2
ISO 3



100%
OF
PRODUCTION
TESTED
100%

WARRANTY
18
MONTHS

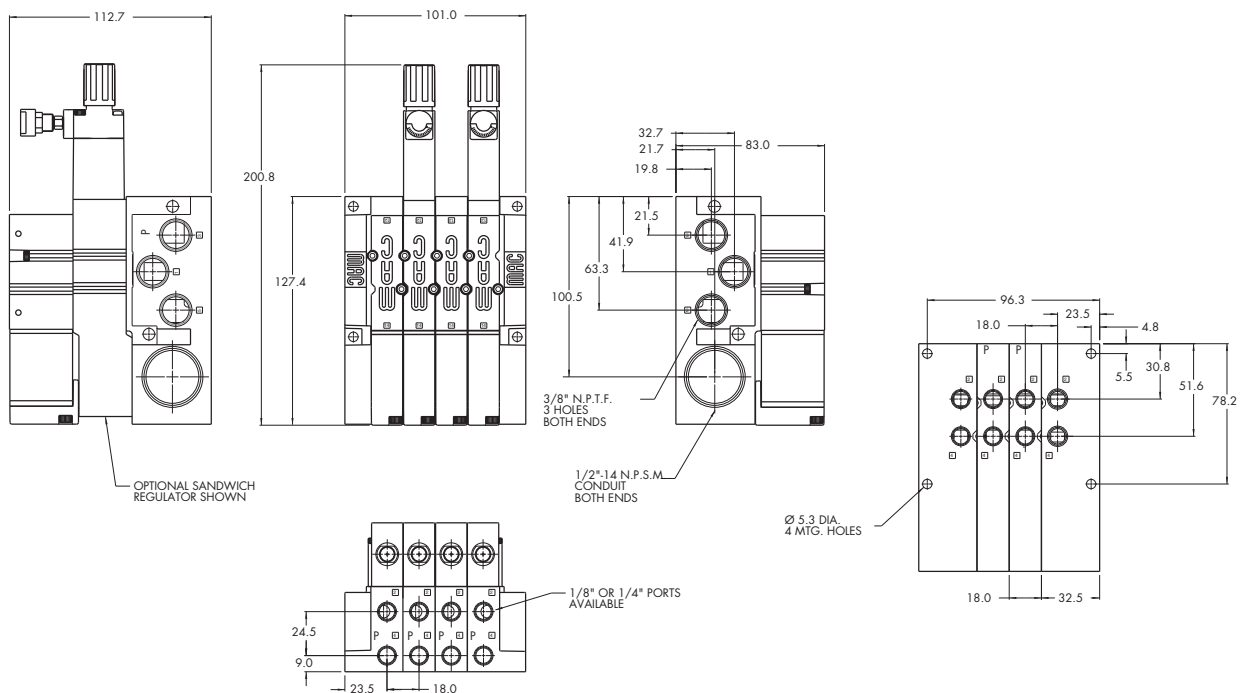
TECHNICAL DATA

Fluid :	Compressed air, vacuum, inert gases
Pressure range :	Vacuum to 8 bar
Lubrication :	Not required, if used select a medium aniline point lubricant (between 80°C and 100°C)
Filtration :	40 µ
Temperature range :	-18°C to +50°C
Orifice :	4,3 mm
Flow (at 6 bar, ΔP=1bar) :	5,2W : 500 NI/min (Cv 0,50) – 2,4W : 350NI/min (Cv 0,35) – 1,0W : 300 NI/min (Cv 0,30)
Coil :	Epoxy encapsulated – 100% ED
Voltage range :	-15% to +10% of nominal voltage
Protection :	IP54 (electrical connection)
Power :	5,2W – 2,4W – 1,0W
Response times : (with 5,2 W coil)	Energize : 17,4 ms De-energise : 3,8 ms

- Options : • NPTF threads • Sandwich flow control: FC47A-AA
- Spare parts : • Inlet/exhaust isolator: 28447 • Valve cover plate: M-47001

DIMENSIONS

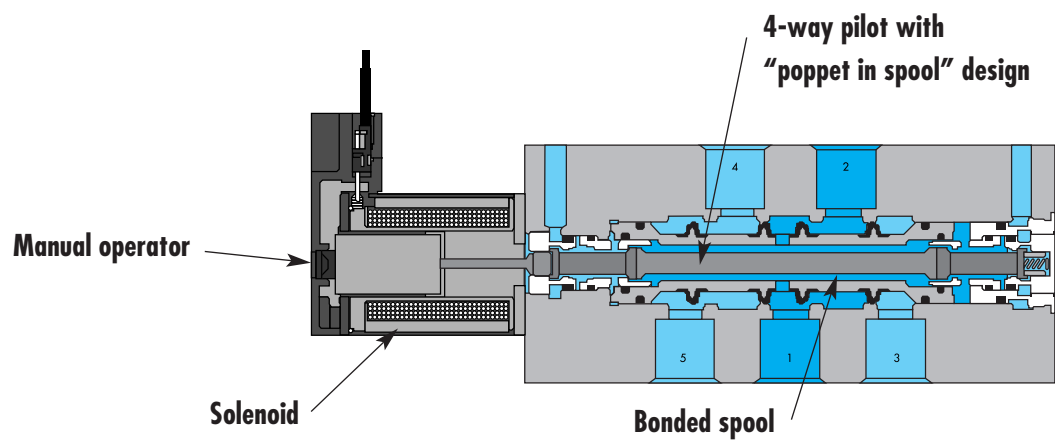
Dimensions shown are metric (mm)



Individual mounting

Inline

Series



31
33
34
36
32
37
38
52
53
54
67
68
69
41
43
44
23
24
46
42
47
48P
48
400
92
83
93
ISO 01
ISO 02
ISO 1
ISO 2
ISO 3

SERIES FEATURES

- High force MACSOLENOID®.
- Integral 4-way pilot with poppet inside the spool.
- Large flow in compact package.
- Single or dual pressure.
- Rectified AC voltage.



Direct solenoid and solenoid pilot operated valves

Function	Port size	Flow [Max]	Individual mounting	Series
5/2	G1/8"	1000 NI/min	Inline	

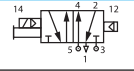
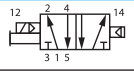
OPERATIONAL BENEFITS

1. 5-way valve with 5-way pilot.
2. Poppet in spool design
3. 16 mm valve (stacks on 16.5 mm centers).
4. High flow (up to 1000 NI/min).
5. Fast repeatable response times.
6. Maximum shifting forces in both directions.
7. Long life.
8. Compact design.



HOW TO ORDER

Port size	Pilot	5/2 Single operator Single pressure	5/2 Single operator Dual pressure
G1/8"	Internal	48PB-AAA-B00-GXXX-XXX	-
	Internal from port 3	-	48PB-CAB-B00-GXXX-XXX
	Internal from port 5	-	48PB-CAC-B00-GXXX-XXX



STANDARD SOLENOID OPERATOR >

G **XXX-XXX***

XX	Voltage	X	Wire length	X	Manual operator	XX	Electrical connection
AA	120 V~/2,5W	A	45 cm	1	Non-locking	BA	Flying leads
DC	24 V~/1,8W	B	60 cm	2	Locking	BT	Flying leads with light
DD	24 V~/2,5W	C	90 cm			GA	MAC JAC Solenoid plug-in
DF	24 V~/4,0W					KA	Plug-in wire assy
						KT	Plug-in wire assy with light
						KD	Plug-in wire assy rectifier & light & ground

* Other options available, see page 387.
Note : AC voltage requires connector with rectifier.

OPTIONS

48PB-X X X-X00-Gxx-xxx

- A Pilot exhaust muffled
- C Pilot exhaust piped M5
- D Pilot exhaust out main exhaust

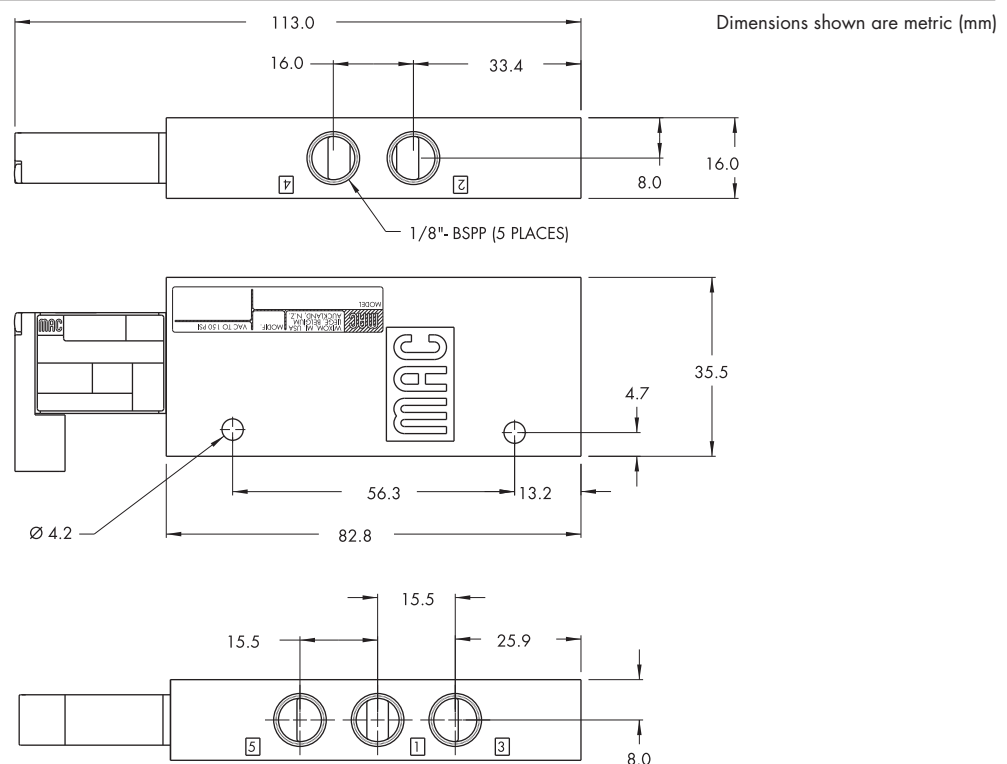
31
33
34
36
32
37
38
52
53
54
67
68
69
41
43
44
23
24
46
42
47
48P
48
400
92
83
93
ISO 01
ISO 02
ISO 1
ISO 2
ISO 3

TECHNICAL DATA

Fluid :	Compressed air, vacuum, inert gases
Pressure range :	1,7 to 8 bar
Lubrication :	Not required, if used select a medium aniline point lubricant (between 80°C and 100°C)
Filtration :	40 µ
Temperature range :	-18°C to +50°C
Orifice :	6,0 mm
Flow :	1000 NI/min (Cv 1,0)
Coil :	Epoxy encapsulated – Class A wire - 100% E.D.
Voltage range :	-15% to +10% of nominal voltage
Power :	1.0 to 4.0 W

Options : NPTF Threads

DIMENSIONS



Individual mounting

Sub-base non "plug-in"	Sub-base "plug-in"	Sub-base/manifold base non "plug-in" with latching solenoid	Sub-base/manifold base "plug-in" with latching solenoid
------------------------	--------------------	---	---

Manifold mounting

Manifold base non "plug-in"	Manifold base "plug-in"	Sub-base/manifold base non "plug-in" with latching solenoid	Sub-base/manifold base "plug-in" with latching solenoid
-----------------------------	-------------------------	---	---

Series

31

33

34

36

32

37

38

52

53

54

67

68

69

41

43

44

23

24

46

42

47

48P

48

400

92

83

93

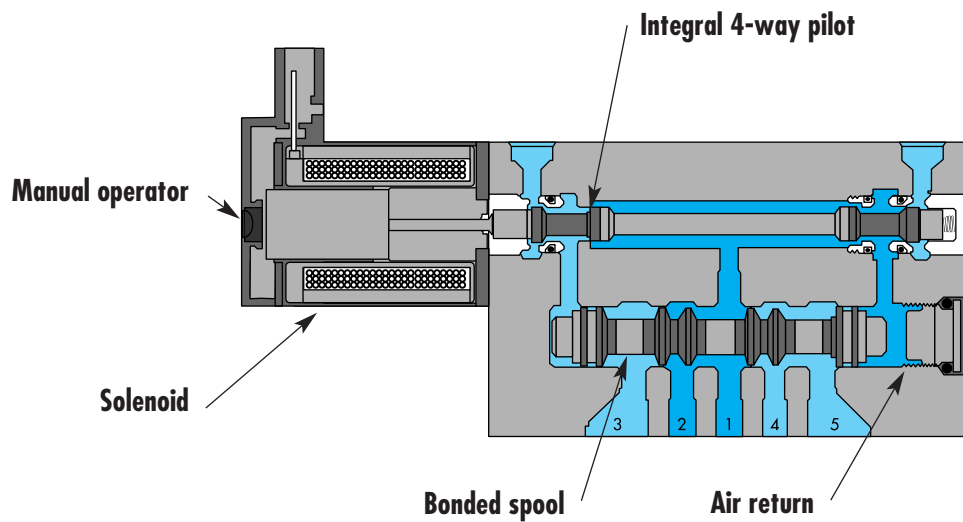
ISO 01

ISO 02

ISO 1

ISO 2

ISO 3



SERIES FEATURES

- High force MACSOLENOID®.
- Integral 4-way pilot design.
- Single or dual pressure.
- Internal or external pilot.
- Single or double solenoid.
- 2 or 3 position.
- Rectified AC voltage.
- Latching solenoid technology.



Direct solenoid and solenoid pilot operated valves

Function	Port size	Flow [Max]	Individual mounting	Series
5/2, 5/3	G1/8"	1100 NI/min	Subbase non "plug-in"	

OPERATIONAL BENEFITS

1. 4-way valve with 4-way integral pilot.
2. 16 mm valve (stacks on 16.5 mm centers).
3. High flow (up to 1100 NI/min).
4. Fast repeatable response times.
5. Maximum shifting forces in both directions.
6. Long life.



HOW TO ORDER

SINGLE PRESSURE MODELS

Port size	Pilot air	5/2 Single solenoid	5/2 Double solenoid	5/3 Closed centre	5/3 Open centre
Valve less base	Internal	48B-AMA-000-GXXX-XXX	48B-BMA-000-GXXX-XXX	48B-EMA-000-GXXX-XXX	48B-FMA-000-GXXX-XXX
	External	48B-AMD-000-GXXX-XXX	48B-BMD-000-GXXX-XXX	48B-EMD-000-GXXX-XXX	48B-FMD-000-GXXX-XXX
G1/8"	Internal	48B-AMA-BAL-GXXX-XXX	48B-BMA-BAL-GXXX-XXX	48B-EMA-BAL-GXXX-XXX	48B-FMA-BAL-GXXX-XXX
	External	48B-AMD-BAM-GXXX-XXX	48B-BMD-BAM-GXXX-XXX	48B-EMD-BAM-GXXX-XXX	48B-FMD-BAM-GXXX-XXX

DUAL PRESSURE MODELS

Port size	Pilot air	5/2 Single solenoid	5/2 Double solenoid	5/3 Pressure centre
Valve less base	Internal	Supply #3 port	48B-CMB-000-GXXX-XXX	48B-DMB-000-GXXX-XXX
	Internal	Supply #5 port	48B-CMC-000-GXXX-XXX	48B-DMC-000-GXXX-XXX
G1/8"	External		48B-CMD-000-GXXX-XXX	48B-DMD-000-GXXX-XXX
	Internal	Supply #3 port	48B-CMB-BAL-GXXX-XXX	48B-DMB-BAL-GXXX-XXX
	Internal	Supply #5 port	48B-CMC-BAL-GXXX-XXX	48B-DMC-BAL-GXXX-XXX
	External		48B-CMD-BAM-GXXX-XXX	48B-DMD-BAM-GXXX-XXX

STANDARD SOLENOID OPERATOR >

G XXX-XXX*

XX Voltage	X Wire length	X Manual operator	XX Electrical connection
AA 120 V~/2,5W	A 45 cm	1 Non-locking	BA Flying leads
DC 24 V=/1,8W	B 60 cm	2 Locking	BT Flying leads with light
DD 24 V=/2,5W	C 90 cm		GA MAC JAC Solenoid plug-in
DF 24 V=/4,0W			KA Mini connector
			KT Mini connector with light
			KD Mini connector with rectifier & light & ground

* Other options available, see page 387.
Latching solenoid also available, see page 179.
Note : AC voltage requires connector with rectifier.
Other options available for the 48 series valves, see page 183.

31
33
34
36
32
37
38
52
53
54
67
68
69
41
43
44
23
24
46
42
47
48P
48
400
92
83
93
ISO 01
ISO 02
ISO 1
ISO 2
ISO 3



100%
OF
PRODUCTION
TESTED
100%

WARRANTY
18
MONTHS

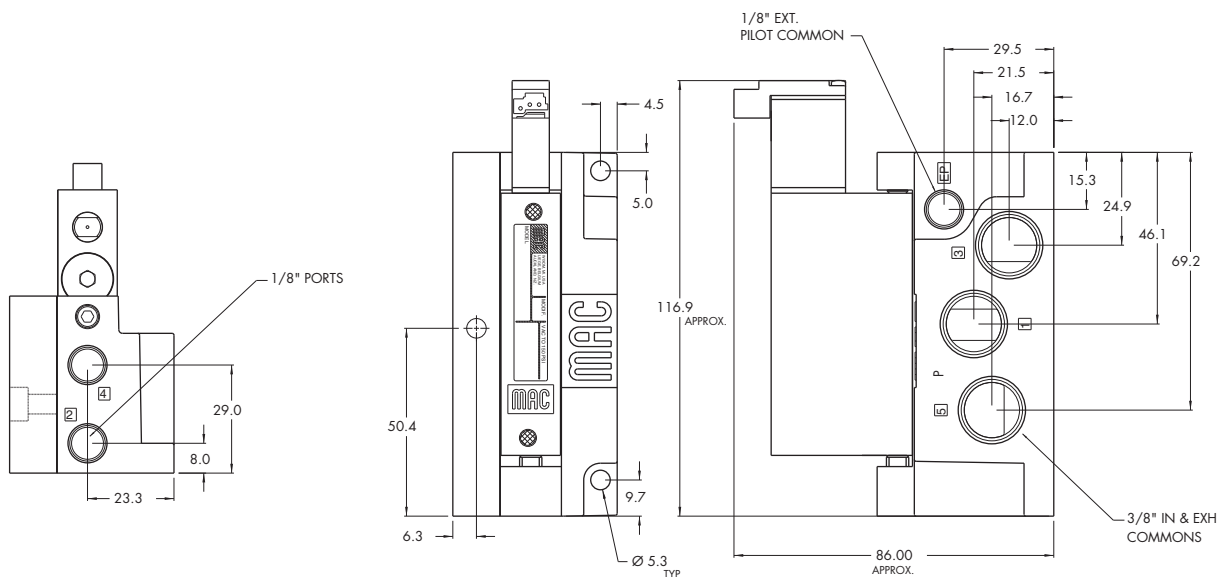
TECHNICAL DATA

Fluid :	Compressed air, vacuum, inert gases
Pressure range :	Internal pilot: 2 pos.: 1,3 to 8 bar - 3 pos.: 2,3 to 8 bar External pilot: vacuum to 8 bar
Pilot pressure :	2 position : 1,3 to 8 bar - 3 position : 2,3 to 8 bar
Lubrication :	Not required, if used select a medium aniline point lubricant (between 80°C and 100°C)
Filtration :	40 µ
Temperature range :	-18°C to +50°C
Orifice :	6,0 mm
Flow (at 6 bar, ΔP=1bar) :	1/8" side ports: 1000 NI/min (Cv 1,0) – 1/8" bottom ports : 1100 NI/min (Cv 1.1)
Coil :	Epoxy encapsulated – 100% ED – Class A wire
Voltage range :	-15% to +10% of nominal voltage
Protection :	IP54 (electrical connection)
Power :	1.0 to 4.0 W
Response times : (with 4 W coil)	Energize : 6 ms De-energize : 6 ms

- Options :
- NPTF threads • Sandwich Flow controls: FC48B-BB
 - Sandwich regulator: see "regulators" section

DIMENSIONS

Dimensions shown are metric (mm)





Direct solenoid and solenoid pilot operated valves

Function	Port size	Flow [Max]	Individual mounting	Series
5/2, 5/3	G1/8"	1100 NI/min	Subbase "plug-in"	

OPERATIONAL BENEFITS

1. 4-way valve with 4-way integral pilot.
2. 16 mm valve (stacks on 16.5 mm centers).
3. High flow (up to 1100 NI/min).
4. Fast repeatable response times.
5. Maximum shifting forces in both directions.
6. Long life.



HOW TO ORDER

SINGLE PRESSURE MODELS (LED STANDARD EXCEPT FOR SINGLE SOLENOIDS)

Port size	Pilot air	5/2 Single solenoid	5/3 Double solenoid	5/3 Closed centre	5/3 Open centre
Valve less base	Internal	48B-AMA-000-GXXP-XXX	48B-BME-000-GXXP-XST	48B-EME-000-GXXP-XST	48B-FME-000-GXXP-XST
	External	48B-AMD-000-GXXP-XXX	48B-BMH-000-GXXP-XST	48B-EMH-000-GXXP-XST	48B-FMH-000-GXXP-XST
G1/8"	Internal	48B-AMA-BAA-GXXP-XXX	48B-BME-BAC-GXXP-XST	48B-EME-BAC-GXXP-XST	48B-FME-BAC-GXXP-XST
	External	48B-AMD-BAB-GXXP-XXX	48B-BMH-BAD-GXXP-XST	48B-EMH-BAD-GXXP-XST	48B-FMH-BAD-GXXP-XST

DUAL PRESSURE MODELS (LED STANDARD EXCEPT FOR SINGLE SOLENOIDS)

Port size	Pilot air	5/2 Single solenoid	5/2 Double solenoid	5/3 Pressure centre
Valve less base	Internal	Supply #3 port	48B-CMB-000-GXXP-XXX	48B-DMF-000-GXXP-XST
	External	Supply #5 port	48B-CMC-000-GXXP-XXX	48B-DMG-000-GXXP-XST
G1/8"	Internal	Supply #3 port	48B-CMB-BAA-GXXP-XXX	48B-DMF-BAC-GXXP-XST
	Internal	Supply #5 port	48B-CMC-BAA-GXXP-XXX	48B-DMG-BAC-GXXP-XST
	External	Supply #3 port	48B-CMB-BAB-GXXP-XXX	48B-DMH-BAD-GXXP-XST
	External	Supply #5 port	48B-CMD-BAB-GXXP-XXX	48B-DMH-BAD-GXXP-XST

STANDARD SOLENOID OPERATOR >

G **XX** P-**XXX***

XX	Voltage	X	Manual operator	XX	Electrical connection
AA	120 V~/2,5W	1	Non-locking	ST	Double solenoid & 3 position models Base plug-in
DC	24 V~/1,8W	2	Locking	SA	Single solenoid models Base plug-in
DD	24 V~/2,5W			SJ	Base plug-in with LED light
DF	24 V~/4,0W			SS	Base plug-in with rectifier & light & ground

* Other options available, see page 387.
Latching solenoid also available, see page 181.
Note : AC voltage requires connector with rectifier (for double solenoid consult factory).
Other options available for the 48 series valves, see page 184.

31
33
34
36
32
37
38
52
53
54
67
68
69
41
43
44
23
24
46
42
47
48P
48
400
92
83
93
ISO 01
ISO 02
ISO 1
ISO 2
ISO 3



100%
OF
PRODUCTION
TESTED
100%

WARRANTY
18
MONTHS

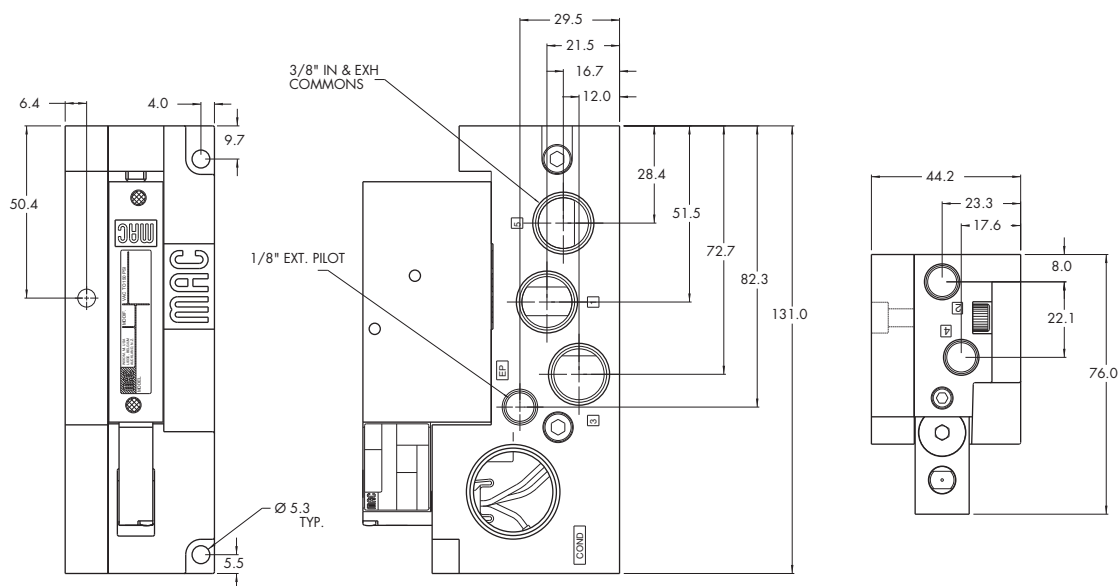
TECHNICAL DATA

Fluid :	Compressed air, vacuum, inert gases
Pressure range :	Internal pilot: 2 pos.: 1,3 to 8 bar - 3 pos.: 2,3 to 8 bar External pilot: vacuum to 8 bar
Pilot pressure :	2 position : 1,3 to 8 bar - 3 position : 2,3 to 8 bar
Lubrication :	Not required, if used select a medium aniline point lubricant (between 80°C and 100°C)
Filtration :	40 µ
Temperature range :	-18°C to +50°C
Orifice :	6,0 mm
Flow (at 6 bar, ΔP=1bar) :	1/8" side ports: 1000 NI/min (Cv 1,0) – 1/8" bottom ports : 1100 NI/min (Cv 1.1)
Coil :	Epoxy encapsulated – 100% ED – Class A wire
Voltage range :	-15% to +10% of nominal voltage
Protection :	IP54 (electrical connection)
Power :	1.0 to 4.0 W
Response times : (with 4 W coil)	Energize : 6 ms De-energize : 6 ms

- Options :
- NPTF threads
 - Sandwich Flow controls: FC48B-AB
 - Sandwich regulator: see "regulators" section

DIMENSIONS

Dimensions shown are metric (mm)



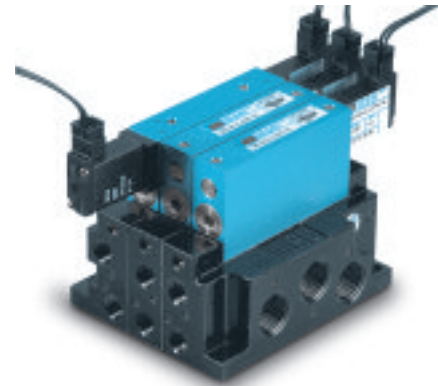


Direct solenoid and solenoid pilot operated valves

Function	Port size	Flow [Max]	Manifold mounting	Series
5/2, 5/3	G1/8"	1100 NI/min	Manifold base non "plug-in"	

OPERATIONAL BENEFITS

1. 4-way valve with 4-way integral pilot.
2. 16 mm valve (stacks on 16.5 mm centers).
3. High flow (up to 1100 NI/min).
4. Fast repeatable response times.
5. Maximum shifting forces in both directions.
6. Long life.



HOW TO ORDER

SINGLE PRESSURE MODELS (MIDDLE STATION MANIFOLDS WITH SIDE PORTS)

Port size	Pilot air	5/2 Single solenoid	5/2 Double solenoid	5/3 Closed centre	5/3 Open centre
Valve less base	Internal	48B-AMA-000-GXXX-XXX	48B-BMA-000-GXXX-XXX	48B-EMA-000-GXXX-XXX	48B-FMA-000-GXXX-XXX
	External	48B-AMD-000-GXXX-XXX	48B-BMD-000-GXXX-XXX	48B-EMD-000-GXXX-XXX	48B-FMD-000-GXXX-XXX
G1/8"	Internal	48B-AMA-BJL-GXXX-XXX	48B-BMA-BJL-GXXX-XXX	48B-EMA-BJL-GXXX-XXX	48B-FMA-BJL-GXXX-XXX
	External	48B-AMD-BJM-GXXX-XXX	48B-BMD-BJM-GXXX-XXX	48B-EMD-BJM-GXXX-XXX	48B-FMD-BJM-GXXX-XXX

DUAL PRESSURE MODELS (MIDDLE STATION MANIFOLDS WITH SIDE PORTS)

Port size	Pilot air	5/2 Single solenoid	5/2 Double solenoid	5/3 Pressure centre
Valve less base	Internal	Supply #3 port	48B-CMB-000-GXXX-XXX	48B-DMB-000-GXXX-XXX
		Supply #5 port	48B-CMC-000-GXXX-XXX	48B-DMC-000-GXXX-XXX
	External		48B-CMD-000-GXXX-XXX	48B-DMD-000-GXXX-XXX
G1/8"	Internal	Supply #3 port	48B-CMB-BJL-GXXX-XXX	48B-DMB-BJL-GXXX-XXX
		Supply #5 port	48B-CMC-BJL-GXXX-XXX	48B-DMC-BJL-GXXX-XXX
	External		48B-CMD-BJM-GXXX-XXX	48B-DMD-BJM-GXXX-XXX

STANDARD SOLENOID OPERATOR >

G XXX-XXX*

XX Voltage	X Wire length	X Manual operator	XX Electrical connection
AA 120 V~/2,5W	A 45 cm	1 Non-locking	BA Flying leads
DC 24 V~/1,8W	B 60 cm	2 Locking	BT Flying leads with light
DD 24 V~/2,5W	C 90 cm		GA MAC JAC Solenoid plug-in
DF 24 V~/4,0W			KA Mini connector
			KT Mini connector with light
			KD Mini connector with rectifier & light & ground

* Other options available, see page 387.
 Latching solenoid also available, see page 179.
 Note : - AC voltage requires connector with rectifier.
 - Manifold assemblies consist of (1) left end manifold, (1) right end manifold, and middle station manifolds (options "J" or "K").
 Other options available for the 48 series valves, see page 183.

31
33
34
36
32
37
38
52
53
54
67
68
69
41
43
44
23
24
46
42
47
48P
48
400
92
83
93
ISO 01
ISO 02
ISO 1
ISO 2
ISO 3



100%
OF
PRODUCTION
TESTED
100%

WARRANTY
18
MONTHS

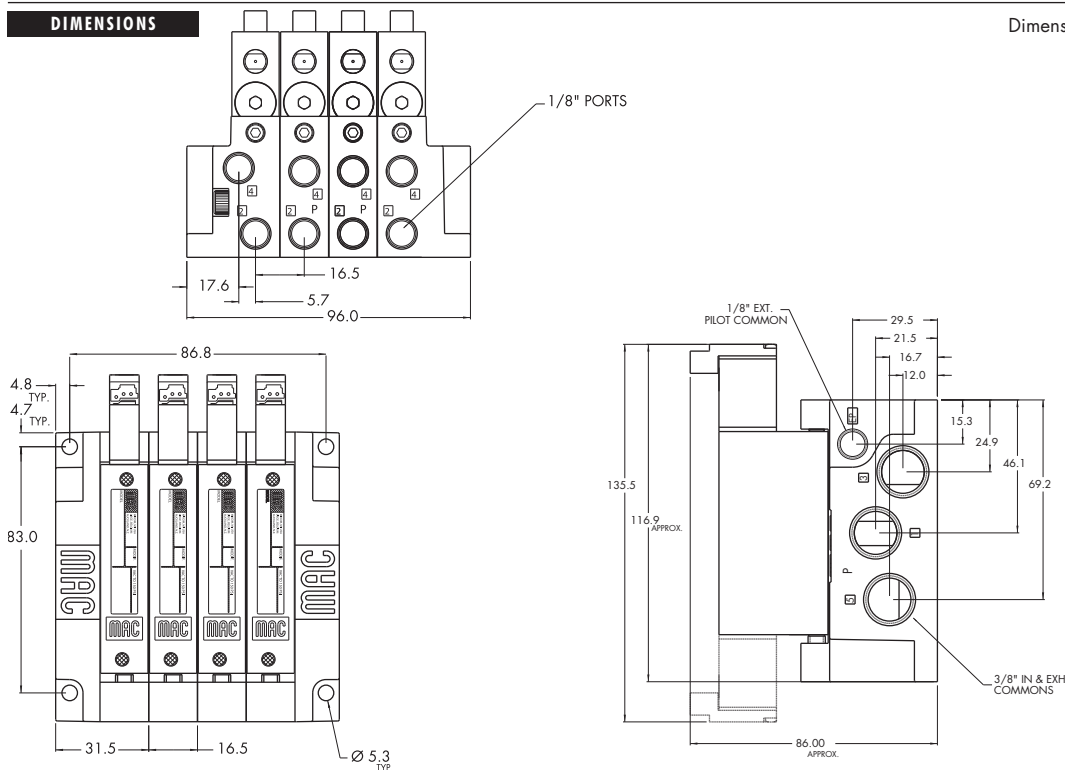
TECHNICAL DATA

Fluid :	Compressed air, vacuum, inert gases
Pressure range :	Internal pilot: 2 pos.: 1,3 to 8 bar - 3 pos.: 2,3 to 8 bar External pilot: vacuum to 8 bar
Pilot pressure :	2 position : 1,3 to 8 bar - 3 position : 2,3 to 8 bar
Lubrication :	Not required, if used select a medium aniline point lubricant (between 80°C and 100°C)
Filtration :	40 µ
Temperature range :	-18°C to +50°C
Orifice :	6,0 mm
Flow (at 6 bar, ΔP=1bar) :	1/8" side ports: 1000 NI/min (Cv 1,0) – 1/8" bottom ports : 1100 NI/min (Cv 1.1)
Coil :	Epoxy encapsulated – 100% ED – Class A wire
Voltage range :	-15% to +10% of nominal voltage
Protection :	IP54 (electrical connection)
Power :	1.0 to 4.0 W
Response times : (with 4 W coil)	Energize : 6 ms De-energize : 6 ms

- Options :
- NPTF threads • Sandwich flow controls: FC48B-BB
 - Sandwich regulator: see "regulators" section
 - Valve blanking plate: M-48004 • Isolator disk for inlet/exhaust: 28471

DIMENSIONS

Dimensions shown are metric (mm)





Direct solenoid and solenoid pilot operated valves

Function	Port size	Flow [Max]	Manifold mounting	Series
5/2, 5/3	G1/8"	1100 NI/min	Manifold base "plug-in"	

OPERATIONAL BENEFITS

1. 4-way valve with 4-way integral pilot.
2. 16 mm valve (stacks on 16.5 mm centers).
3. High flow (up to 1100 NI/min).
4. Fast repeatable response times.
5. Maximum shifting forces in both directions.
6. Long life.



HOW TO ORDER

SINGLE PRESSURE MODELS (LED STANDARD EXCEPT FOR SINGLE SOLENOIDS)

Port size	Pilot air	5/2 Single solenoid	5/2 Double solenoid	5/3 Closed centre	5/3 Open centre
Valve less base	Internal	48B-AMA-000-GXXP-XXX	48B-BME-000-GXXP-XST	48B-EME-000-GXXP-XST	48B-FME-000-GXXP-XST
	External	48B-AMD-000-GXXP-XXX	48B-BMH-000-GXXP-XST	48B-EMH-000-GXXP-XST	48B-FMH-000-GXXP-XST
G1/8"	Internal	48B-AMA-BJA-GXXP-XXX	48B-BME-BJC-GXXP-XST	48B-EME-BJC-GXXP-XST	48B-FME-BJC-GXXP-XST
	External	48B-AMD-BJB-GXXP-XXX	48B-BMH-BJD-GXXP-XST	48B-EMH-BJD-GXXP-XST	48B-FMH-BJD-GXXP-XST

DUAL PRESSURE MODELS (LED STANDARD EXCEPT FOR SINGLE SOLENOIDS)

Port size	Pilot air	5/2 Single solenoid	5/2 Double solenoid	5/3 Pressure centre
Valve less base	Internal	Supply #3 port	48B-CMB-000-GXXP-XXX	48B-DMF-000-GXXP-XST
	Internal	Supply #5 port	48B-CMC-000-GXXP-XXX	48B-DMG-000-GXXP-XST
G1/8"	External		48B-CMD-000-GXXP-XXX	48B-DMH-000-GXXP-XST
	Internal	Supply #3 port	48B-CMB-BJC-GXXP-XXX	48B-DMF-BJC-GXXP-XST
	Internal	Supply #5 port	48B-CMC-BJC-GXXP-XXX	48B-DMG-BJC-GXXP-XST
	External		48B-CMD-BJD-GXXP-XXX	48B-DMH-BJD-GXXP-XST

STANDARD SOLENOID OPERATOR >

G **XX** P-**XXX***

Voltage	Manual operator	Electrical connection
AA 120 V~/2,5W	1 Non-locking	Double solenoid & 3 position models
DC 24 V~/1,8W	2 Locking	ST Base plug-in
DD 24 V~/2,5W		Single solenoid models
DF 24 V~/4,0W		SA Base plug-in
		SJ Base plug-in with LED light
		SS Base plug-in with rectifier & light & ground

* Other options available, see page 387.
 Latching solenoid also available, see page 181.
 Note : - AC voltage requires connector with rectifier (for double solenoid consult factory).
 - Manifold assemblies consist of (1) left end manifold, (1) right end manifold, and middle station manifolds (options "J" or "K").
 Other options available for the 48 series valves, see page 184.

- 31
- 33
- 34
- 36
- 32
- 37
- 38
- 52
- 53
- 54
- 67
- 68
- 69
- 41
- 43
- 44
- 23
- 24
- 46
- 42
- 47
- 48P
- 48
- 400
- 92
- 83
- 93
- ISO 01
- ISO 02
- ISO 1
- ISO 2
- ISO 3



100%
OF
PRODUCTION
TESTED
100%

WARRANTY
18
MONTHS

TECHNICAL DATA

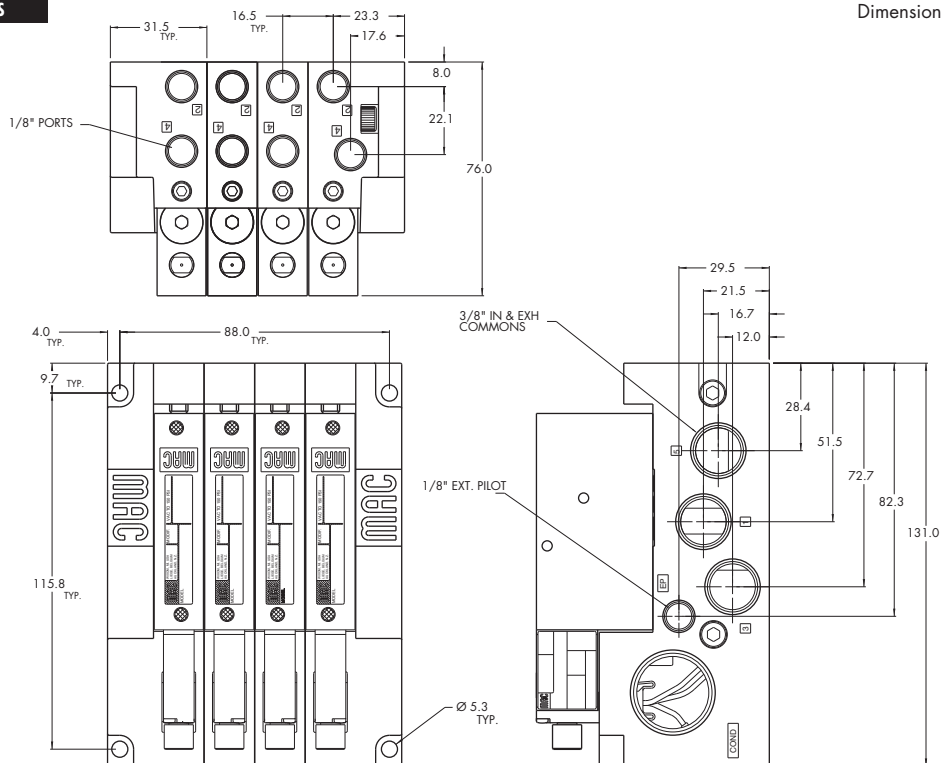
Fluid :	Compressed air, vacuum, inert gases
Pressure range :	Internal pilot: 2 pos.: 1,3 to 8 bar - 3 pos.: 2,3 to 8 bar External pilot: vacuum to 8 bar
Pilot pressure :	2 position : 1,3 to 8 bar - 3 position : 2,3 to 8 bar
Lubrication :	Not required, if used select a medium aniline point lubricant (between 80°C and 100°C)
Filtration :	40 µ
Temperature range :	-18°C to +50°C
Orifice :	6,0 mm
Flow (at 6 bar, ΔP=1bar) :	1/8" side ports: 1000 NI/min (Cv 1,0) – 1/8" bottom ports : 1100 NI/min (Cv 1.1)
Coil :	Epoxy encapsulated – 100% ED – Class A wire
Voltage range :	-15% to +10% of nominal voltage
Protection :	IP54 (electrical connection)
Power :	1.0 to 4.0 W
Response times : (with 4 W coil)	Energize : 6 ms De-energize : 6 ms

Options :

- NPTF threads
- Sandwich flow controls: FC48B-AB
- Sandwich regulator: see "regulators" section
- Valve blanking plate: M-48004
- Isolator disk for inlet/exhaust: 28471
- Plug-in wire protector: 24180

DIMENSIONS

Dimensions shown are metric (mm)





Direct solenoid and solenoid pilot operated valves

Function	Port size	Flow [Max]	Individual/Manifold mounting	Series
5/2	G1/8"	1100 NI/min	Sub-base/ manifold base non "plug-in" with latching solenoid	

OPERATIONAL BENEFITS

1. 4-way valve with 4-way integral pilot.
2. 16 mm valve (stacks on 16.5 mm centers).
3. High flow (up to 1100 NI/min).
4. Fast repeatable response times.
5. Maximum shifting forces in both directions.
6. Long life.



HOW TO ORDER

SINGLE PRESSURE MODELS

Port size	Pilot air	5/2 Single pressure
Valve less base	Internal	48B-AMA-000-LXXX-XXX
	External	48B-AMD-000-LXXX-XXX
G1/8"	Internal	48B-AMA-BAL-LXXX-XXX
	External	48B-AMD-BAM-LXXX-XXX

DUAL PRESSURE MODELS

Port size	Pilot air	5/2 Dual pressure	
Valve less base	Internal	Supply #3 port	48B-CMB-000-LXXX-XXX
		Supply #5 port	48B-CMC-000-LXXX-XXX
	External		48B-CMD-000-LXXX-XXX
G1/8"	Internal	Supply #3 port	48B-CMB-BAL-LXXX-XXX
		Supply #5 port	48B-CMC-BAL-LXXX-XXX
	External		48B-CMD-BAM-LXXX-XXX

LATCHING SOLENOID ▶

XX	Voltage	X	Wire length	X	Manual operator	XX	Electrical connection
DF	24 VDC/4,0W	A	45 cm	0	No operator	BA	2 Wire flying leads
HA	24 VDC/1,95W	B	60 cm			BJ	4 Wire flying leads
		C	90 cm			KA	2 Wire Plug-in assembly
						KE	4 Wire Plug-in assembly
						LA	3 Wire Plug-in assembly (Polarity Switching Cover)

* Other options available, see page 395.

Note : Manifold assemblies consist of (1) left end manifold, (1) right end manifold, and middle station manifolds (options "J" or "K").
Other options available for the 48 series valves, see page 183.

31

33

34

36

32

37

38

52

53

54

67

68

69

41

43

44

23

24

46

42

47

48P

48

400

92

83

93

ISO 01

ISO 02

ISO 1

ISO 2

ISO 3



100%
OF
PRODUCTION
TESTED
100%

WARRANTY
18
MONTHS

TECHNICAL DATA

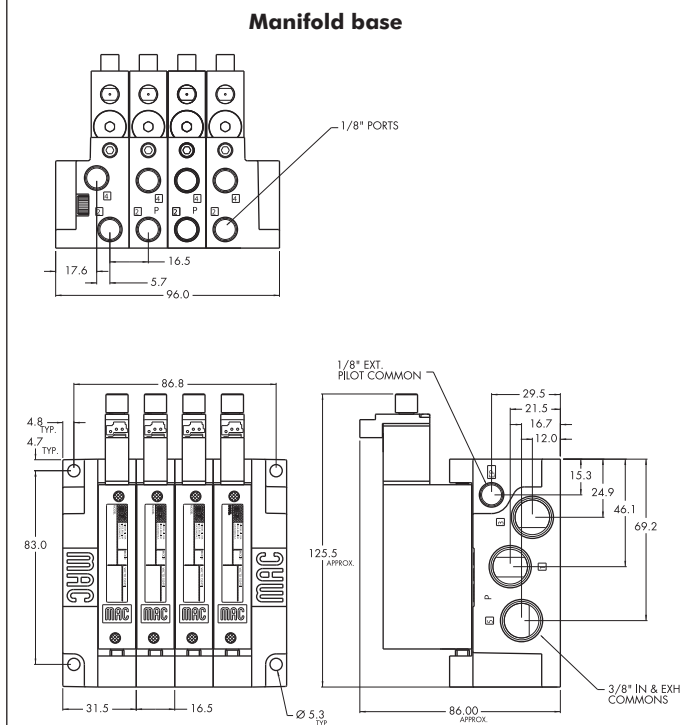
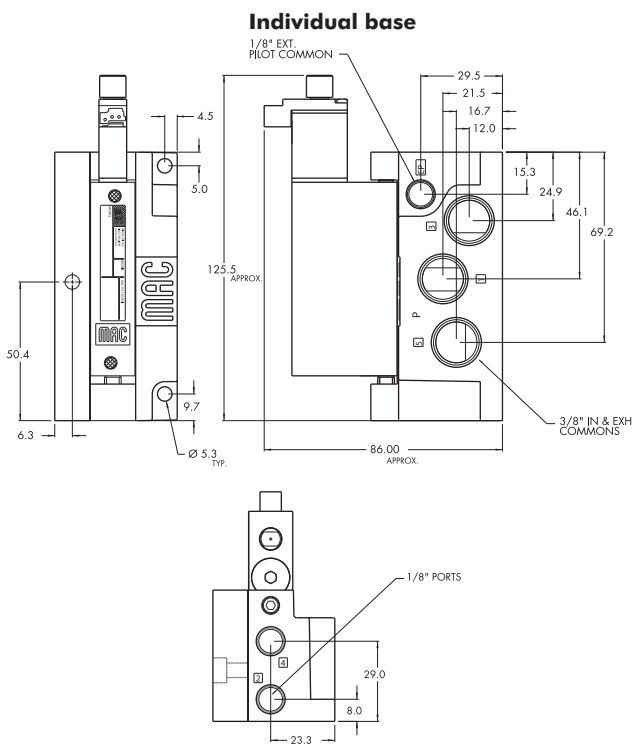
Fluid :	Compressed air, vacuum, inert gases
Pressure range :	Internal pilot: 2 pos.: 1,3 to 8 bar - 3 pos.: 2,3 to 8 bar External pilot: vacuum to 8 bar
Pilot pressure :	2 position : 1,3 to 8 bar - 3 position : 2,3 to 8 bar
Lubrication :	Not required, if used select a medium aniline point lubricant (between 80°C and 100°C)
Filtration :	40 µ
Temperature range :	-18°C to +50°C
Orifice :	6,0 mm
Flow (at 6 bar, ΔP=1bar) :	1/8" side ports: 1000 NI/min (Cv 1,0) – 1/8" bottom ports : 1100 NI/min (Cv 1.1)
Coil :	Epoxy encapsulated – 100% ED – Class A wire
Voltage range :	-15% to +10% of nominal voltage
Protection :	IP54 (electrical connection)
Power :	1.0 to 4.0 W
Response times : (with 4 W coil)	Energize : 6 ms De-energize : 6 ms

Options :

- NPTF threads • Sandwich flow controls: FC48B-BB
- Sandwich regulator: see "regulators" section
- Valve blanking plate: M-48004 • Isolator disk for inlet/exhaust: 28471

DIMENSIONS

Dimensions shown are metric (mm)



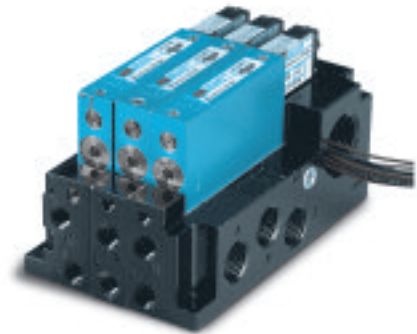


Direct solenoid and solenoid pilot operated valves

Function	Port size	Flow [Max]	Individual/Manifold mounting	Series
5/2	G1/8"	1000 NI/min	Sub-base/ manifold base *plug-in with latching solenoid	

OPERATIONAL BENEFITS

1. 4-way valve with 4-way integral pilot.
2. 16 mm valve (stacks on 16.5 mm centers).
3. High flow (up to 1100 NI/min).
4. Fast repeatable response times.
5. Maximum shifting forces in both directions.
6. Long life.



HOW TO ORDER

SINGLE PRESSURE MODELS

Port size	Pilot air	5/2 Single pressure
Valve less base	Internal	48B-AMA-000-LxxP-xxx
	External	48B-AMD-000-LxxP-xxx
G1/8"	Internal	48B-AMA-BAA-LxxP-xxx
	External	48B-AMD-BAB-LxxP-xxx

DUAL PRESSURE MODELS

Port size	Pilot air	5/2 Dual pressure	
Valve less base	Internal	Supply #3 port	48B-CMB-000-LxxP-xxx
		Supply #5 port	48B-CMC-000-LxxP-xxx
	External		48B-CMD-000-LxxP-xxx
G1/8"	Internal	Supply #3 port	48B-CMB-BAA-LxxP-xxx
		Supply #5 port	48B-CMC-BAA-LxxP-xxx
	External		48B-CMD-BAB-LxxP-xxx

LATCHING SOLENOID >

L **XX** P-**XXX***

XX Voltage	X Manual operator	XX Electrical connection**
DF 24 VDC/4,0W	0 No operator	DA Plug-in
DN 12 VDC/4,0W		EA Plug-in 3 PIN (Polarity Switching Cover)
HA 24 VDC/1,95W		
HE 12 VDC/1,95W		

* Other options available, see page 395.

** For latching solenoid 2 and 4 wire, use electrical connector DA, DB, DC or DD. For 3 wire latching, use the "EA" connector. Other options available for the 48 series valves, see page 184.

31
33
34
36
32
37
38
52
53
54
67
68
69
41
43
44
23
24
46
42
47
48P
48
400
92
83
93
ISO 01
ISO 02
ISO 1
ISO 2
ISO 3



100%
OF
PRODUCTION
TESTED
100%

WARRANTY
18
MONTHS

TECHNICAL DATA

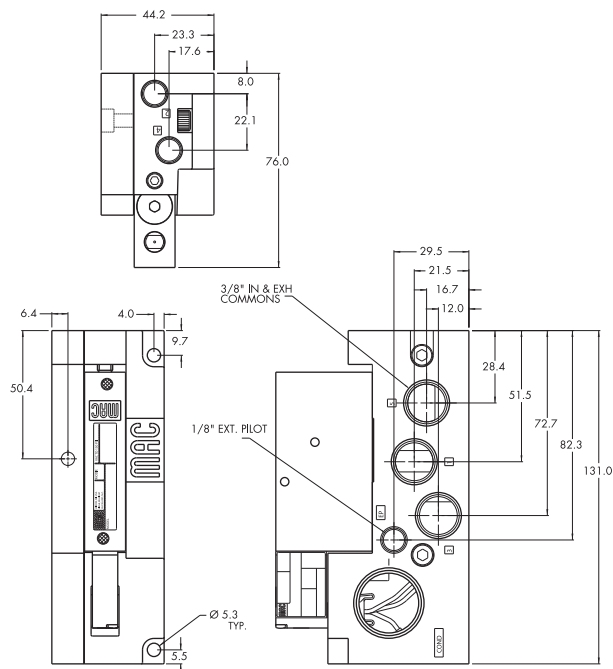
Fluid :	Compressed air, vacuum, inert gases
Pressure range :	Internal pilot: 2 pos.: 1,3 to 8 bar - 3 pos.: 2,3 to 8 bar External pilot: vacuum to 8 bar
Pilot pressure :	2 position : 1,3 to 8 bar - 3 position : 2,3 to 8 bar
Lubrication :	Not required, if used select a medium aniline point lubricant (between 80°C and 100°C)
Filtration :	40 µ
Temperature range :	-18°C to +50°C
Orifice :	6,0 mm
Flow (at 6 bar, ΔP=1bar) :	1/8" side ports: 1000 NI/min (Cv 1,0) – 1/8" bottom ports : 1100 NI/min (Cv 1.1)
Coil :	Epoxy encapsulated – 100% ED – Class A wire
Voltage range :	-15% to +10% of nominal voltage
Protection :	IP54 (electrical connection)
Power :	1.0 to 4.0 W
Response times : (with 4 W coil)	Energize : 6 ms De-energize : 6 ms

Options :

- NPTF threads • Sandwich flow controls: FC48B-AB
- Sandwich regulator: see "regulators" section
- Valve blanking plate: M-48004 • Isolator disk for inlet/exhaust: 28471
- Plug-in wire protector : 24180

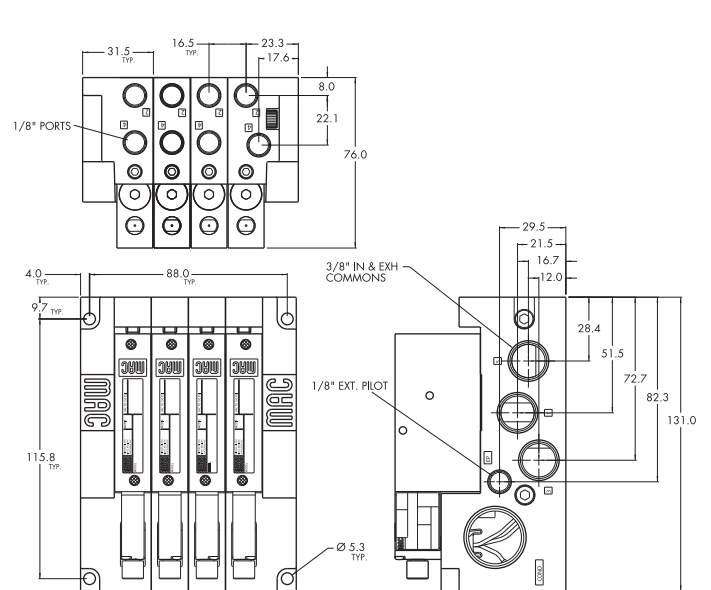
DIMENSIONS

Individual base



Dimensions shown are metric (mm)

Manifold base



OPTIONS FOR NON PLUG-IN VALVES

Base type :

Individual base

48B-XXX-XAX-Gxxx-xxx

- A** Individual base – Side port
- B** Individual base – Bottom port

Manifold base

48B-XXX-XJX-Gxxx-xxx

- J** Manifold base – Side ports
- K** Manifold base – Bottom ports
- L** Left end manifold base – Side ports
- M** Left end manifold base – Bottom ports
- N** Right end manifold base – Side ports
- P** Right end manifold base – Bottom ports

Universal spool

48B-RXX-XXX-Gxxx-xxx

- R** 2 position single solenoid universal spool
- S** 2 position double solenoid universal spool

Base only :

48B-000-XXX (i.e. 48B-000-BAL) - Individual base

48B-000-XXX (i.e. 48B-000-BJL) - Manifold base

Pilot style :

48B-XXM-XXX-Gxxx-xxx

- M** Pilot exhaust muffled
- R** Pilot exhaust piped (M5)
- U** Pilot exhaust to main exhaust

Base/Manifold configurations for LATCHING SOLENOID VALVES :

48A-xxx-xAx-Lxxx-xxx

- A** Individual base – Side port
- B** Individual base – Bottom port
- J** Manifold base – Side ports
- K** Manifold base – Bottom ports
- L** Left end manifold base - Side ports
- M** Left end manifold base - Bottom ports
- N** Right end manifold base - Side ports
- P** Right end manifold base - Bottom ports

31
33
34
36
32
37
38
52
53
54
67
68
69
41
43
44
23
24
46
42
47
48P
48
400
92
83
93
ISO 01
ISO 02
ISO 1
ISO 2
ISO 3



Direct solenoid and solenoid pilot operated valves

OPTIONS FOR PLUG-IN VALVES

Base type :

Individual base

48B-XXX-**XAX**-GxxP-xxx

- A** Individual base – Side port
- B** Individual base – Bottom port

Manifold base

48B-XXX-**XJX**-GxxP-xxx

- J** Manifold base – Side ports
- K** Manifold base – Bottom ports
- L** Left end manifold base – Side ports
- M** Left end manifold base – Bottom ports
- N** Right end manifold base – Side ports
- P** Right end manifold base – Bottom ports

Universal spool

48B-**RXX**-XXX-GxxP-xxx

- R** 2 position single solenoid universal spool
- S** 2 position double solenoid universal spool

Base only :

48B-000-XXX (i.e. 48B-000-BAA)

- Individual base wired for a single solenoid valve

48B-000-XXX (i.e. 48B-000-BJC)

- Manifold base wired for a double solenoid valve

For LED with diode (2 & 3 position double solenoid valves)

48B-**XXJ**-XXX-GxxP-**XGA**

- J** Internal pilot single pressure
- K** Internal pilot dual pressure supply from #3 port
- L** Internal pilot dual pressure supply from #5 port
- M** External pilot

Pilot style :

48B-**XXM**-XXX-GxxP-xxx

- M** Pilot exhaust muffled
- R** Pilot exhaust piped (M5)
- U** Pilot exhaust to main exhaust

Base/Manifold configurations for LATCHING SOLENOID VALVES :

48A-xxx-**XAX**-LxxP-xxx

- A** Individual base – Side port
- B** Individual base – Bottom port
- J** Manifold base – Side ports
- K** Manifold base – Bottom ports
- L** Left end manifold base - Side ports
- M** Left end manifold base - Bottom ports
- N** Right end manifold base - Side ports
- P** Right end manifold base - Bottom ports

Base/Manifold options for int./ext. pilot for LATCHING SOLENOID VALVES :

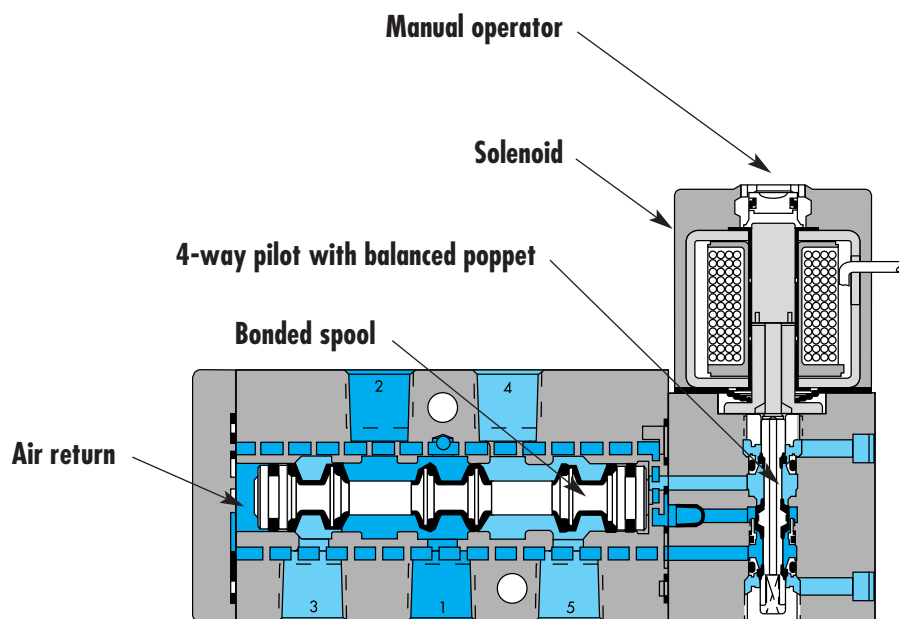
48A-xxx-xx**A**-LxxP-xxx

- A** Plug-in Int. Pilot – 2 Wire Latching
- B** Plug-in Ext. Pilot – 2 Wire Latching
- C** Plug-in Int. Pilot – 3 Wire Latching
- D** Plug-in Ext. Pilot – 3 Wire Latching
- E** Plug-in Int. Pilot – 4 Wire Latching
- F** Plug-in Ext. Pilot – 4 Wire Latching

Individual mounting

Series

Inline	Sub-base non "plug-in"
--------	------------------------

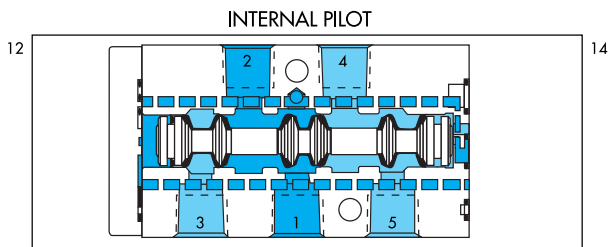


SERIES FEATURES

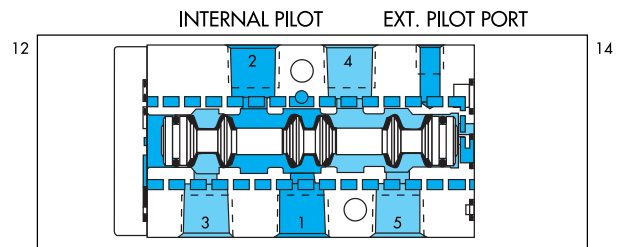
- Patented MACSOLENOID® for fastest possible response times and virtually burn-out proof AC solenoid operation.
- Optional low watt DC solenoids.
- Various manual operators.
- Optional memory spring.
- 2 position or 3 position valve configurations.
- Internal or external pilot.

31
33
34
36
32
37
38
52
53
54
67
68
69
41
43
44
23
24
46
42
47
48P
48
400
92
83
93
ISO 01
ISO 02
ISO 1
ISO 2
ISO 3

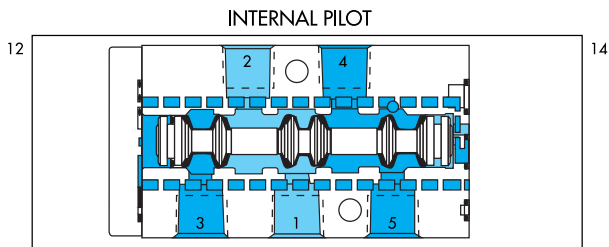
SPOOL CONFIGURATIONS



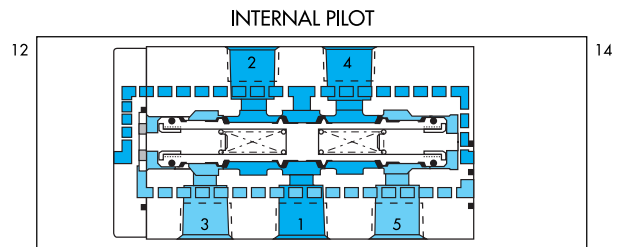
SINGLE OPERATOR - SINGLE INLET
SHOWN WITH 12 OPERATOR ENERGIZED



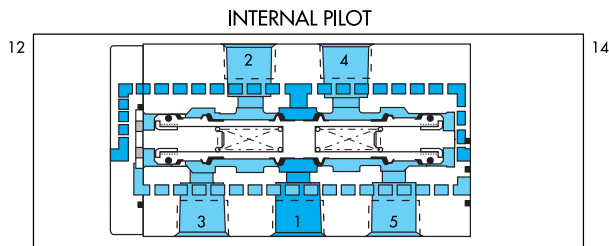
SINGLE OPERATOR - SINGLE INLET
SHOWN WITH 12 OPERATOR ENERGIZED



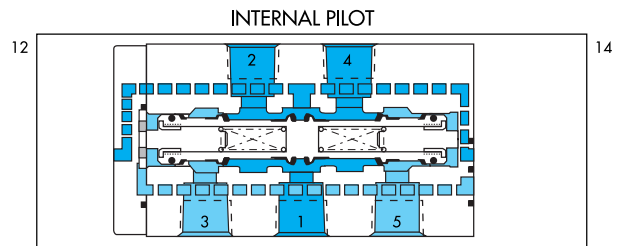
SINGLE OPERATOR - DUAL INLET
SHOWN WITH 12 OPERATOR ENERGIZED



3 POSITION CLOSED CENTER



3 POSITION OPEN CENTER



3 POSITION PRESSURE CENTER

Function	Port size	Flow [Max]	Individual mounting	Series
5/2, 5/3	G1/8" - G1/4"	1000 NI/min	Inline	

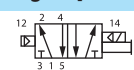
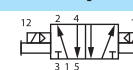
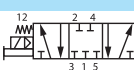
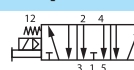
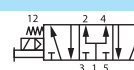
OPERATIONAL BENEFITS

1. The 4-way pilot develops maximum shifting forces both ways.
2. Memory spring available.
3. Balanced spool, immune to variations of pressure, also provides high flow.
4. Short stroke with high flow.
5. Bonded spool with minimum friction, shifting in a glass-like finished bore.
6. Wiping effect eliminates sticking.
7. Long service life.

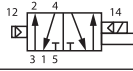
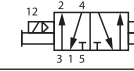


HOW TO ORDER

SINGLE PRESSURE MODELS

Port size	Pilot air	5/2 Single operator	5/2 Double operator	5/3 Closed centre	5/3 Open centre	5/3 Pressure centre
						
G1/8"	Internal	411A-C0A-XX-XXXX-XXX	421A-C0A-XX-XXXX-XXX	451A-C0A-XX-XXXX-XXX	461A-C0A-XX-XXXX-XXX	471A-C0A-XX-XXXX-XXX
G1/4"	Internal	411A-D0A-XX-XXXX-XXX	421A-D0A-XX-XXXX-XXX	451A-D0A-XX-XXXX-XXX	461A-D0A-XX-XXXX-XXX	471A-D0A-XX-XXXX-XXX
G1/8"	External	411A-C0B-XX-XXXX-XXX	421A-C0B-XX-XXXX-XXX	451A-C0B-XX-XXXX-XXX	461A-C0B-XX-XXXX-XXX	471A-C0B-XX-XXXX-XXX
G1/4"	External	411A-D0B-XX-XXXX-XXX	421A-D0B-XX-XXXX-XXX	451A-D0B-XX-XXXX-XXX	461A-D0B-XX-XXXX-XXX	471A-D0B-XX-XXXX-XXX

DUAL PRESSURE MODELS (INTERNAL PILOT – PILOT PRESSURE SUPPLY FROM #5 PORT)

Port size	Pilot air	5/2 Single operator	5/2 Double operator
			
G1/8"	Internal	431A-C0A-XX-XXXX-XXX	441A-C0A-XX-XXXX-XXX
G1/4"	Internal	431A-D0A-XX-XXXX-XXX	441A-D0A-XX-XXXX-XXX
G1/8"	External	431A-C0B-XX-XXXX-XXX	441A-C0B-XX-XXXX-XXX
G1/4"	External	431A-D0B-XX-XXXX-XXX	441A-D0B-XX-XXXX-XXX

SOLENOID OPERATOR >

DM-D XXX-XXX*

XX Voltage	X Wire length	X Manual operator	XX Electrical connection
JA 110 V~/50Hz	A 45 cm	1 Non-locking	KA Square connector
JB 220 V~/50Hz	B 60 cm	2 Locking	KD Square connector with light
JC 24 V~/50Hz	J Connector		JB Rectangular connector
FB 24 V~/1,8W			JD Rectangular connector with light
DA 24 V~/5,4W			BA Flying leads
DF 24 V~/12,7W			

SOLENOID OPERATOR >

GM-G XXX-XXX**

XX Voltage	X Wire length	X Manual operator	XX Electrical connection
DC 24V~/1,8W	A 45 cm	1 Non-locking	BA Flying leads
DD 24V~/2,5W	B 60 cm	2 Locking	BT Flying leads with light
DF 24V~/4,0W	C 90 cm		KA Mini connector
			KT Mini connector with light

* Other options available, see page 385.

** Other options available, see page 389.

Note : For 400 Series exhaust ports are always 1/8"

31
33
34
36
32
37
38
52
53
54
67
68
69
41
43
44
23
24
46
42
47
48P
48
400
92
83
93
ISO 01
ISO 02
ISO 1
ISO 2
ISO 3

TECHNICAL DATA

Fluid :	Compressed air, vacuum, inert gases
Pressure range :	Internal pilot – 2 pos. : 1,3 to 8 bar (with memory spring: 2 to 8 bar) 3 pos.: 2,3 to 8 bar External pilot : vacuum to 8 bar
Pilot pressure :	2 position: 1,3 to 8 bar (with memory spring: 2 to 8 bar) 3 position: 2,3 to 8 bar
Lubrication :	Not required, if used select a medium aniline point lubricant (between 80°C and 100°C)
Filtration :	40 µ
Temperature range :	-18°C to +50°C
Orifice :	6,2 mm
Flow (at 6 bar, ΔP=1bar) :	1000 Nl/min (Cv 1.0)
Coil :	Epoxy encapsulated – class A wire – 100% ED (specify mod 0449)
Voltage range :	-15% to +10% of nominal voltage
Protection :	IP54 (GM pilot) – IP65 (DM pilot) (Electrical connection)
Power :	~Inrush : 10.9 VA Holding : 7.7 VA = 1.8 to 12.7 W
Response times :	24 V=/5.4W Energize : 7.3 ms De-energize : 5.3 ms 110V~/50Hz Energize : 8-12 ms De-energize : 7-11 ms

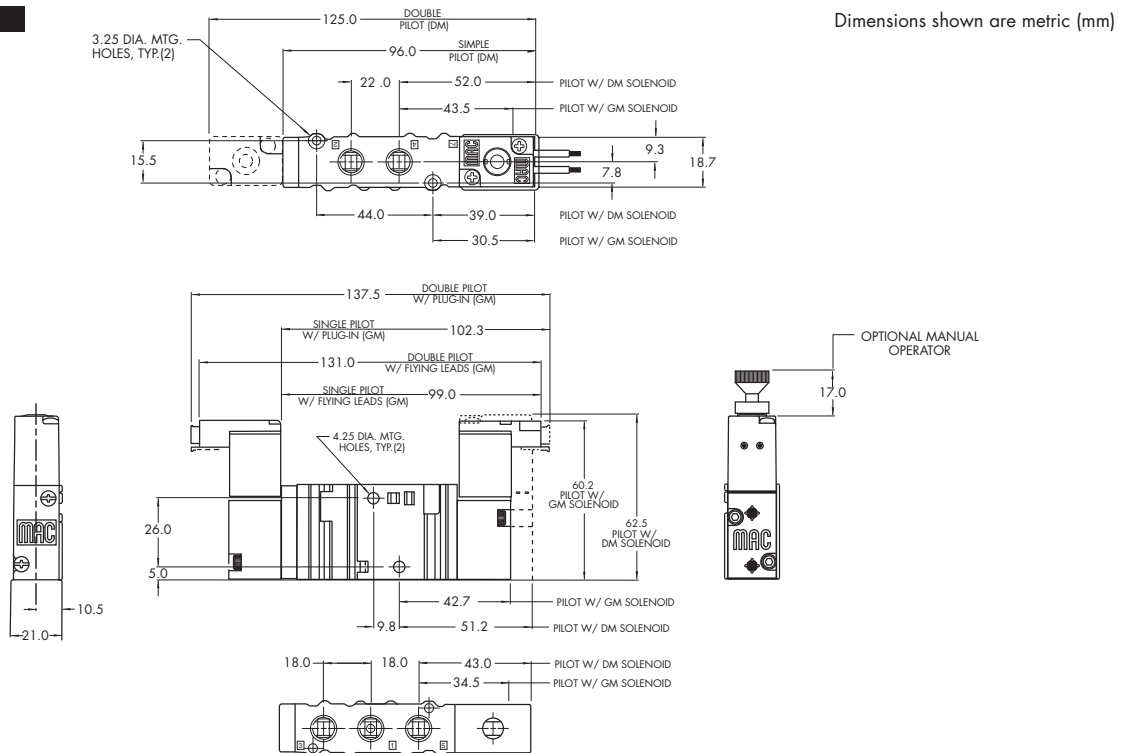
Options : • NPTF threads • Namur interface (specify mod. 1080 after model)

411A-C0A-XX-XXXX-XXX

- Dual pressure models, replace by **C** for pilot supply from #3 port
- For memory spring, replace by **4** (single operator models only)
- Replace by **8** for 3 position dual pressure, pressure centre

Spare parts : • DM pilot body pressure seal: 16542 • DM pilot spacer plate: 24168-01.

DIMENSIONS





Direct solenoid and solenoid pilot operated valves

Function	Port size	Flow [Max]	Individual mounting	Series
5/2, 5/3	G1/8" - G1/4"	1000 NI/min	Subbase non "plug-in"	

OPERATIONAL BENEFITS

1. The 4-way pilot develops maximum shifting forces both ways.
2. Memory spring available.
3. Balanced spool, immune to variations of pressure, also provides high flow.
4. Short stroke with high flow.
5. Bonded spool with minimum friction, shifting in a glass-like finished bore.
6. Wiping effect eliminates sticking.
7. Long service life.



HOW TO ORDER

SINGLE PRESSURE MODELS

Port size	Pilot air	5/2 Single operator	5/2 Double operator	5/3 Closed centre	5/3 Open centre	5/3 Pressure centre
Valve only	Internal	413A-00A-XX-Xxxx-xxx	423A-00A-XX-Xxxx-xxx	453A-00A-XX-Xxxx-xxx	463A-00A-XX-Xxxx-xxx	473A-00A-XX-Xxxx-xxx
	External	413A-00D-XX-Xxxx-xxx	423A-00D-XX-Xxxx-xxx	453A-00D-XX-Xxxx-xxx	463A-00D-XX-Xxxx-xxx	473A-00D-XX-Xxxx-xxx
G1/8"	Internal	413A-CAA-XX-Xxxx-xxx	423A-CAA-XX-Xxxx-xxx	453A-CAA-XX-Xxxx-xxx	463A-CAA-XX-Xxxx-xxx	473A-CAA-XX-Xxxx-xxx
G1/4"	Internal	413A-DAA-XX-Xxxx-xxx	423A-DAA-XX-Xxxx-xxx	453A-DAA-XX-Xxxx-xxx	463A-DAA-XX-Xxxx-xxx	473A-DAA-XX-Xxxx-xxx
G1/8"	External	413A-CAD-XX-Xxxx-xxx	423A-CAD-XX-Xxxx-xxx	453A-CAD-XX-Xxxx-xxx	463A-CAD-XX-Xxxx-xxx	473A-CAD-XX-Xxxx-xxx
G1/4"		413A-DAD-XX-Xxxx-xxx	423A-DAD-XX-Xxxx-xxx	453A-DAD-XX-Xxxx-xxx	463A-DAD-XX-Xxxx-xxx	473A-DAD-XX-Xxxx-xxx

DUAL PRESSURE MODELS (INTERNAL PILOT – PILOT PRESSURE SUPPLY FROM #5 PORT)

Port size	Pilot air	5/2 Single operator	5/2 Double operator
Valve only	Internal	433A-00A-XX-Xxxx-xxx	443A-00A-XX-Xxxx-xxx
	External	433A-00D-XX-Xxxx-xxx	443A-00D-XX-Xxxx-xxx
G1/8"	Internal	433A-CAA-XX-Xxxx-xxx	443A-CAA-XX-Xxxx-xxx
G1/4"	Internal	433A-DAA-XX-Xxxx-xxx	443A-DAA-XX-Xxxx-xxx
G1/8"	External	433A-CAD-XX-Xxxx-xxx	443A-CAD-XX-Xxxx-xxx
G1/4"		433A-DAD-XX-Xxxx-xxx	443A-DAD-XX-Xxxx-xxx

SOLENOID OPERATOR >

DM-D XXX-XXX*

XX Voltage	X Wire length	X Manual operator	XX Electrical connection
JA 110 V~/50Hz	A 45 cm	1 Non-locking	KA Square connector
JB 220 V~/50Hz	B 60 cm	2 Locking	KD Square connector with light
JC 24 V~/50Hz	J Connector		JB Rectangular connector
FB 24 V~/1,8W			JD Rectangular connector with light
DA 24 V~/5,4W			BA Flying leads
DF 24 V~/12,7W			

SOLENOID OPERATOR >

GM-G XXX-XXX**

XX Voltage	X Wire length	X Manual operator	XX Electrical connection
DC 24V~/1,8W	A 45 cm	1 Non-locking	BA Flying leads
DD 24V~/2,5W	B 60 cm	2 Locking	BT Flying leads with light
DF 24V~/4,0W	C 90 cm		KA Mini connector
			KT Mini connector with light

* Other options available, see page 385.

** Other options available, see page 389.

Note : For 400 Series exhaust ports are always 1/8"

31
33
34
36
32
37
38
52
53
54
67
68
69
41
43
44
23
24
46
42
47
48P
48
400
92
83
93
ISO 01
ISO 02
ISO 1
ISO 2
ISO 3

TECHNICAL DATA

Fluid :	Compressed air, vacuum, inert gases
Pressure range :	Internal pilot – 2 pos. : 1,3 to 8 bar (with memory spring: 2 to 8 bar) 3 pos.: 2,3 to 8 bar External pilot : vacuum to 8 bar
Pilot pressure :	2 position: 1,3 to 8 bar (with memory spring: 2 to 8 bar) 3 position: 2,3 to 8 bar
Lubrication :	Not required, if used select a medium aniline point lubricant (between 80°C and 100°C)
Filtration :	40 µ
Temperature range :	-18°C to +50°C
Orifice :	6,2 mm
Flow (at 6 bar, ΔP=1bar) :	1000 NI/min (Cv 1.0)
Coil :	Epoxy encapsulated – class A wire – 100% ED (specify mod 0449)
Voltage range :	-15% to +10% of nominal voltage
Protection :	IP54 (GM pilot) – IP65 (DM pilot) (Electrical connection)
Power :	~Inrush : 10.9 VA Holding : 7.7 VA = 1.8 to 12.7 W
Response times :	24 V~/5.4W Energize : 7.3 ms De-energize : 5.3 ms 110V~/50Hz Energize : 8-12 ms De-energize : 7-11 ms

Options :

- NPTF threads

413A-CAA-XX-Xxxx-xxx

- Dual pressure models, replace by **C** for pilot supply from #3 port
- For flow control, replace by **B**
- For memory spring, replace by **6**

Base only :

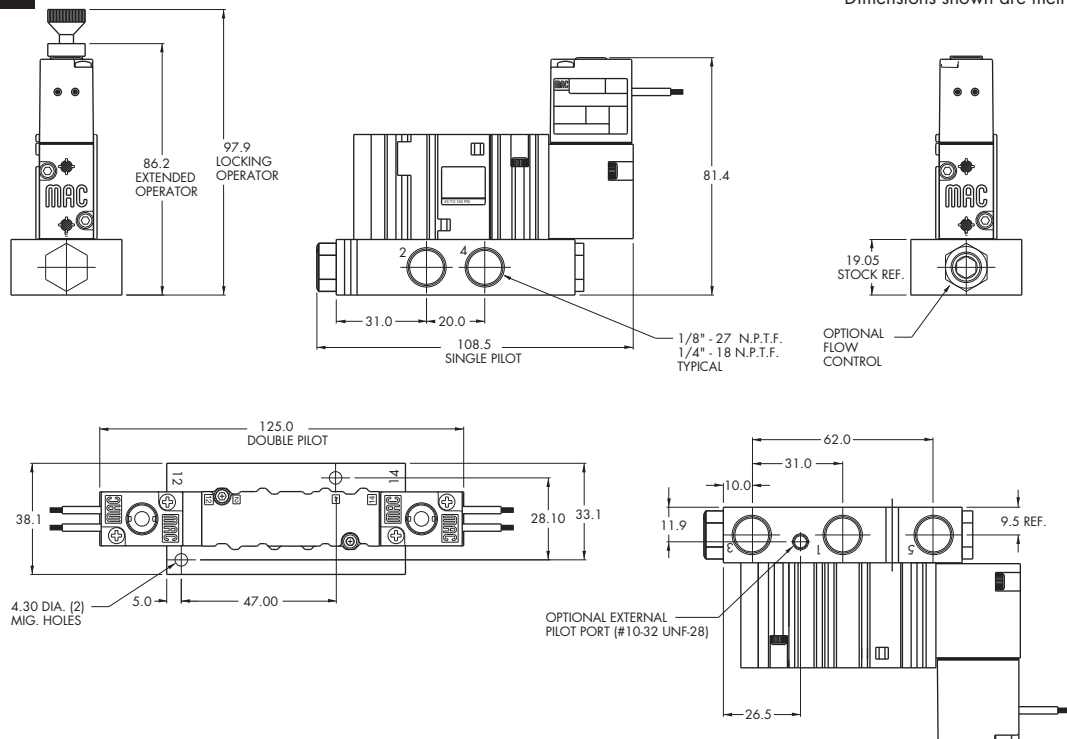
400A-XXX (i.e. 400A-CAA)

Spare parts :

- Body to base seal: 16525 • Flow control assembly: N-04001 • Body mounting screws (x2): 35043.

DIMENSIONS

Dimensions shown are metric (mm)

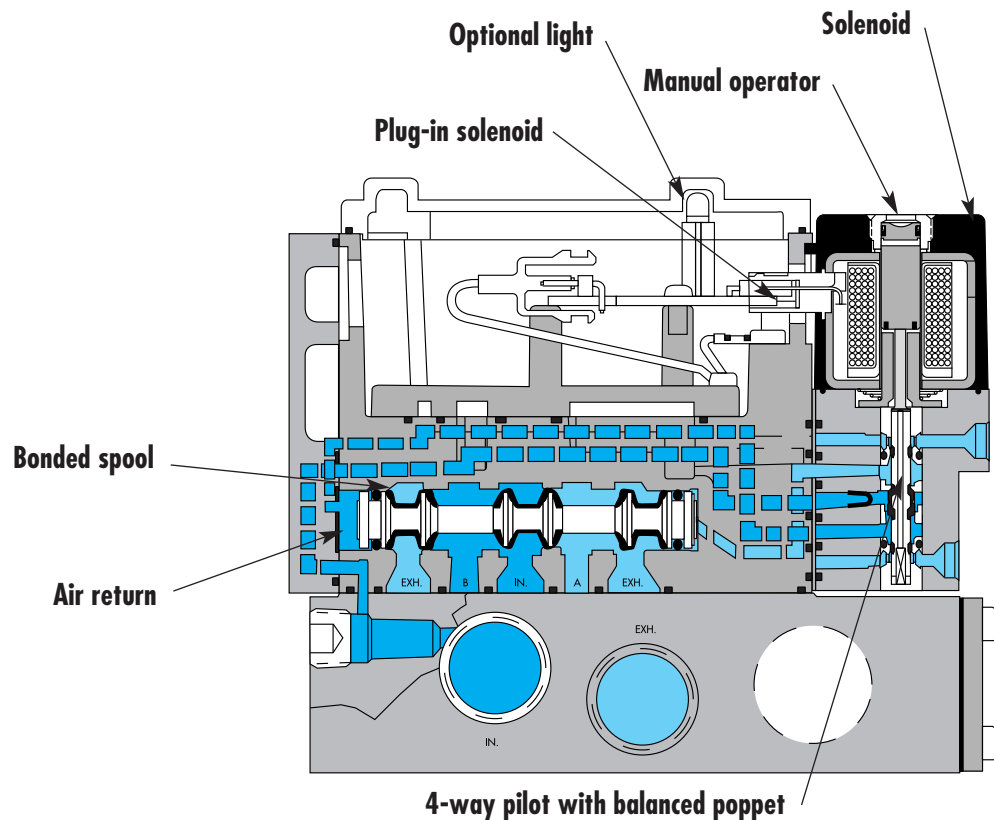


Individual mounting

Sub-base non "plug-in"	Sub-base "plug-in"
------------------------	--------------------

Manifold mounting

Manifold base non "plug-in"	Manifold base "plug-in"
-----------------------------	-------------------------



SERIES FEATURES

- Patented MACSOLENOID® for fastest possible response times and virtually burn-out proof AC solenoid operation.
- Optional low watt DC solenoids.
- Optional memory spring.
- Plug-in design of valves and bases for ease of maintenance.
- 2 position or 3 position valve configurations.

Series

31

33

34

36

32

37

38

52

53

54

67

68

69

41

43

44

23

24

46

42

47

48P

48

400

92

83

93

ISO 01

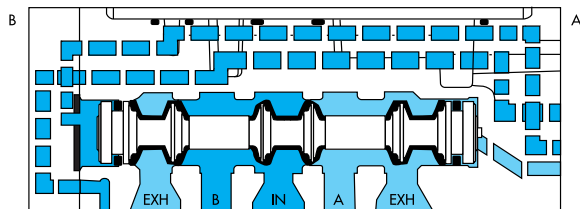
ISO 02

ISO 1

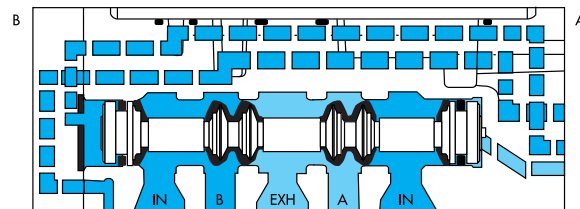
ISO 2

ISO 3

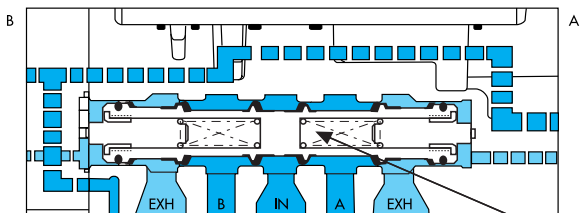
SPOOL CONFIGURATIONS



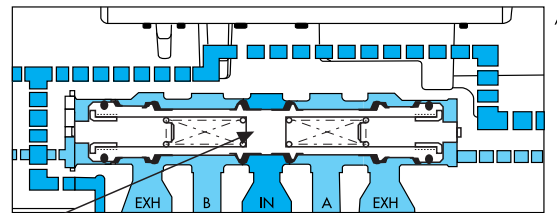
2 POSITION SINGLE PRESSURE
SHOWN WITH "B" OPERATOR ENERGIZED



2 POSITION DUAL PRESSURE
SHOWN WITH "B" OPERATOR ENERGIZED

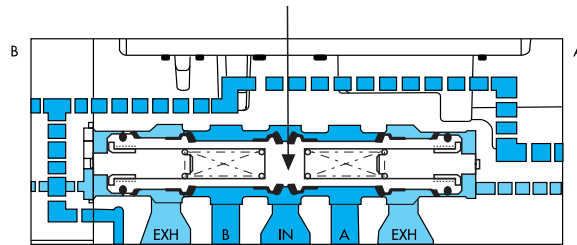


3 POSITION CLOSED CENTER



3 POSITION OPEN CENTER

SPRING CENTERING

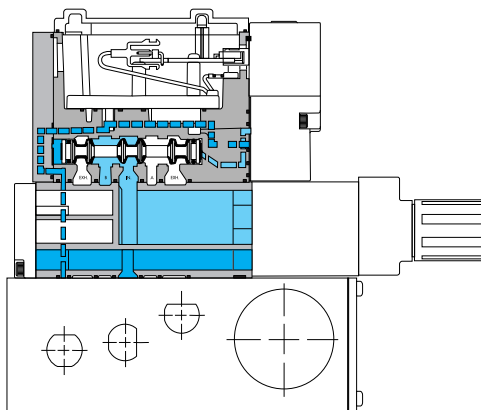


3 POSITION SINGLE PRESSURE, PRESSURE CENTER

REGULATOR CONFIGURATIONS

SINGLE REGULATOR - SINGLE PRESSURE

Pressure supplied to the individual or manifold base passes through the regulator. Regulated pressure is supplied to the pressure path of the valve.

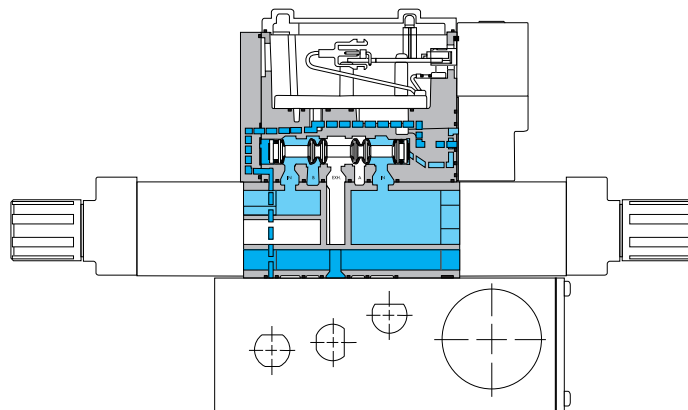


MANIFOLD WITH REGULATOR - SINGLE PRESSURE

Note: For both single and dual pressure, air supply to the pilot system is never regulated.

DUAL REGULATOR - DUAL PRESSURE

Pressure supplied from each regulator is divided in the block. Regulated pressure from "A" regulator supplies cylinder port "A". Regulated pressure from "B" regulator supplies cylinder port "B". Dual pressure regulators require dual pressure spool in valve.



MANIFOLD WITH REGULATOR - DUAL PRESSURE



Direct solenoid and solenoid pilot operated valves

Function	Port size	Flow [Max]	Individual mounting	Series
5/2, 5/3	G1/8" - G1/4" - G3/8"	1200 NI/min	Subbase non "plug-in"	

OPERATIONAL BENEFITS

1. The 4-way pilot develops maximum shifting forces both ways.
2. Memory spring available.
3. Balanced spool, immune to variations of pressure, also provides high flow.
4. Short stroke with high flow.
5. Bonded seal spool with minimum friction, shifting in a glass-like finished bore.
6. Pilot with balanced poppet, high flow; short and consistent response times.



HOW TO ORDER

SINGLE PRESSURE MODELS

Port size	Pilot air	5/2 Single operator	5/2 Double operator	5/3 Closed centre	5/3 Open centre	5/3 Pressure centre
Valve less base						
G1/8"	Internal	92B-ABA-000-DM-Dxxx-xxx	92B-BBA-000-DM-Dxxx-xxx	92B-EBA-000-DM-Dxxx-xxx	92B-FBA-000-DM-Dxxx-xxx	92B-GBA-000-DM-Dxxx-xxx
G1/4"		92B-ABA-DAG-DM-Dxxx-xxx	92B-BBA-DAG-DM-Dxxx-xxx	92B-EBA-DAG-DM-Dxxx-xxx	92B-FBA-DAG-DM-Dxxx-xxx	92B-GBA-DAG-DM-Dxxx-xxx
G3/8"		92B-ABA-EAG-DM-Dxxx-xxx	92B-BBA-EAG-DM-Dxxx-xxx	92B-EBA-EAG-DM-Dxxx-xxx	92B-FBA-EAG-DM-Dxxx-xxx	92B-GBA-EAG-DM-Dxxx-xxx
G1/8"	External	92B-ABA-FAG-DM-Dxxx-xxx	92B-BBA-FAG-DM-Dxxx-xxx	92B-EBA-FAG-DM-Dxxx-xxx	92B-FBA-FAG-DM-Dxxx-xxx	92B-GBA-FAG-DM-Dxxx-xxx
G1/4"		92B-ABA-DAH-DM-Dxxx-xxx	92B-BBA-DAH-DM-Dxxx-xxx	92B-EBA-DAH-DM-Dxxx-xxx	92B-FBA-DAH-DM-Dxxx-xxx	92B-GBA-DAH-DM-Dxxx-xxx
G3/8"		92B-ABA-EAH-DM-Dxxx-xxx	92B-BBA-EAH-DM-Dxxx-xxx	92B-EBA-EAH-DM-Dxxx-xxx	92B-FBA-EAH-DM-Dxxx-xxx	92B-GBA-EAH-DM-Dxxx-xxx
G3/8"		92B-ABA-FAH-DM-Dxxx-xxx	92B-BBA-FAH-DM-Dxxx-xxx	92B-EBA-FAH-DM-Dxxx-xxx	92B-FBA-FAH-DM-Dxxx-xxx	92B-GBA-FAH-DM-Dxxx-xxx

DUAL PRESSURE MODELS (REQUIRE SANDWICH REGULATOR – SEE "REGULATORS" SECTION)

Port size	Pilot air	5/2 Single operator	5/2 Double operator
Valve less base			
G1/8"	Internal	92B-CBA-000-DM-Dxxx-xxx	92B-DBA-000-DM-Dxxx-xxx
G1/4"		92B-CBA-DAG-DM-Dxxx-xxx	92B-DBA-DAG-DM-Dxxx-xxx
G3/8"		92B-CBA-EAG-DM-Dxxx-xxx	92B-DBA-EAG-DM-Dxxx-xxx
G1/8"	External	92B-CBA-FAG-DM-Dxxx-xxx	92B-DBA-FAG-DM-Dxxx-xxx
G1/4"		92B-CBA-DAH-DM-Dxxx-xxx	92B-DBA-DAH-DM-Dxxx-xxx
G3/8"		92B-CBA-EAH-DM-Dxxx-xxx	92B-DBA-EAH-DM-Dxxx-xxx
G3/8"		92B-CBA-FAH-DM-Dxxx-xxx	92B-DBA-FAH-DM-Dxxx-xxx

SOLENOID OPERATOR >

DM-D **XXX-XXX***

Above models are shown with side ports.

XX Voltage	X Wire length	X Manual operator	XX Electrical connection
JA 110 V~/50Hz	A 45 cm (Flying leads)	1 Non-locking	BM Flying leads
JB 220 V~/50Hz	B 60 cm (Flying leads)	2 Locking	BN Flying leads with diode
JC 24 V~/50Hz	J Connector		BP Flying leads with M.O.V.
FB 24 V~/1,8W			BG Flying leads with ground
DA 24 V~/5,4W			JB Rectangular connector
DF 24 V~/12,7W			JD Rectangular connector with light
			KA Square connector

* Other options available, see page 385.
Other options available for the 92 series valves, see page 201.

31
33
34
36
32
37
38
52
53
54
67
68
69
41
43
44
23
24
46
42
47
48P
48
400
92
83
93
ISO 01
ISO 02
ISO 1
ISO 2
ISO 3

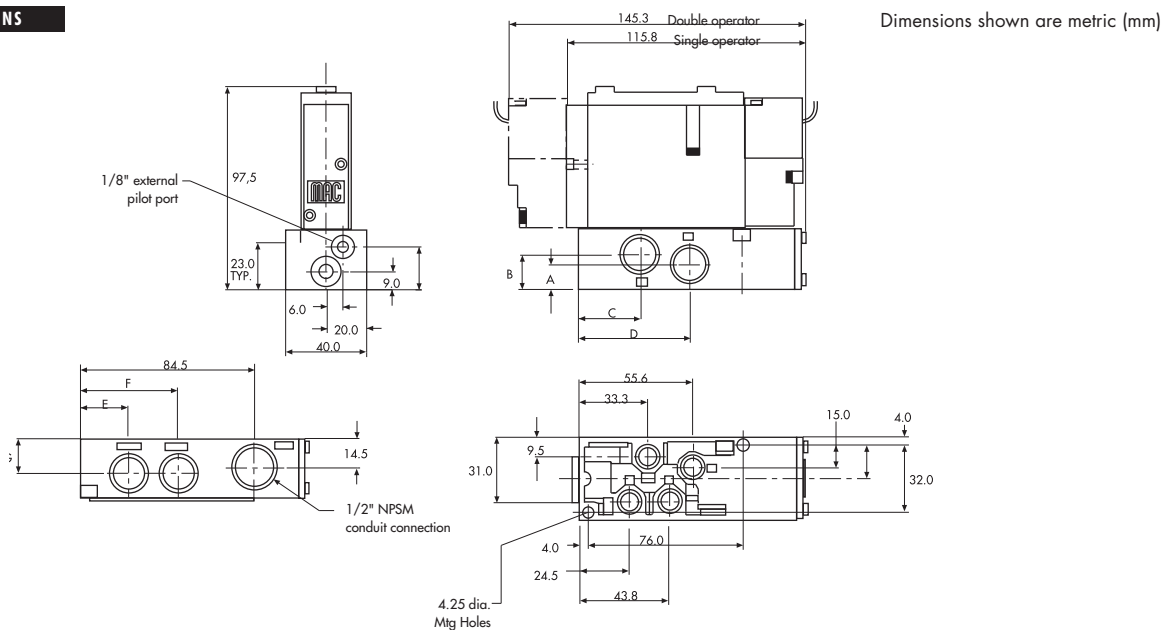
TECHNICAL DATA

Fluid :	Compressed air, vacuum, inert gases		
Pressure range :	Internal pilot : 1,3 to 8 bar	3 position : 2,3 to 8 bar	
	External pilot : vacuum to 8 bar	3 position : 2,3 to 8 bar	
Lubrication :	Not required, if used select a medium aniline point lubricant (between 80°C and 100°C)		
Filtration :	40 µ		
Temperature range :	-18°C to +50°C		
Orifice :	6,2 mm		
Flow (at 6 bar, ΔP=1bar) :	1/8": 1000NI/min (Cv 1.0) – 1/4": 1100 NI/min (Cv 1.1) – 3/8": 1200 NI/min (Cv 1.2)		
Coil :	Epoxy encapsulated – class A – 100%ED (specify mod 0449)		
Voltage range :	-15% to +10% of nominal voltage		
Protection :	IP65 (electrical connection)		
Power :	~Inrush 7,6 VA	Holding : 4,8 VA	
	= 1,8 to 12,7 W		
Response times :	24V~/5,4W	Energize : 8 ms	De-energize : 7 ms
	120V~/60Hz	Energize : 7-13 ms	De-energize : 12-20 ms

Options : • NPTF thread. • Sandwich flow control: FC92B-CA

Spare parts : • Pilot valve DM-Dxxx-xxx • Valve blanking plate: M-92002
• Pressure seal between valve and base : 16543. • Mounting screws valve to base (X2) : 35050.

DIMENSIONS



DIM.	A	B	C	D	E	F	G
61/8"	12.5	18.0	31.0	54.0	23.5	46.5	18.0
61/4"	12.5	18.0	31.0	54.0	23.5	46.5	18.0
63/8"	12.0	17.0	30.0	54.0	23.5	47.5	17.0

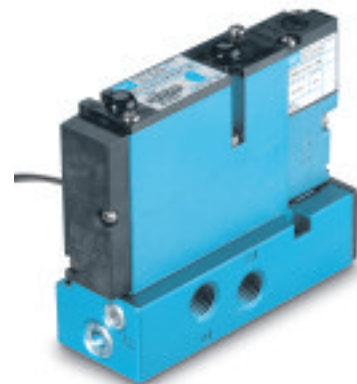


Direct solenoid and solenoid pilot operated valves

Function	Port size	Flow [Max]	Individual mounting	Series
5/2, 5/3	G1/8" - G1/4" - G3/8"	1200 NI/min	Subbase "plug-in"	

OPERATIONAL BENEFITS

1. The 4-way pilot develops maximum shifting forces both ways.
2. Memory spring available.
3. Balanced spool, immune to variations of pressure, also provides high flow.
4. Short stroke with high flow.
5. Bonded seal spool with minimum friction, shifting in a glass-like finished bore.
6. Pilot with balanced poppet, high flow; short and consistent response times.



HOW TO ORDER

SINGLE PRESSURE MODELS

Port size	Pilot air	5/2 Single operator	5/2 Double operator	5/3 Closed centre	5/3 Open centre	5/3 Pressure centre
Valve less base		92B-AAA-000-DM-DxxP-xxx	92B-BAA-000-DM-DxxP-xxx	92B-EAA-000-DM-DxxP-xxx	92B-FAA-000-DM-DxxP-xxx	92B-GAA-000-DM-DxxP-xxx
G1/8"		92B-AAA-DAA-DM-DxxP-xxx	92B-BAA-DAA-DM-DxxP-xxx	92B-EAA-DAA-DM-DxxP-xxx	92B-FAA-DAA-DM-DxxP-xxx	92B-GAA-DAA-DM-DxxP-xxx
G1/4"	Internal	92B-AAA-EAA-DM-DxxP-xxx	92B-BAA-EAA-DM-DxxP-xxx	92B-EAA-EAA-DM-DxxP-xxx	92B-FAA-EAA-DM-DxxP-xxx	92B-GAA-EAA-DM-DxxP-xxx
G3/8"		92B-AAA-FAA-DM-DxxP-xxx	92B-BAA-FAA-DM-DxxP-xxx	92B-EAA-FAA-DM-DxxP-xxx	92B-FAA-FAA-DM-DxxP-xxx	92B-GAA-FAA-DM-DxxP-xxx
G1/8"		92B-AAA-DAD-DM-DxxP-xxx	92B-BAA-DAD-DM-DxxP-xxx	92B-EAA-DAD-DM-DxxP-xxx	92B-FAA-DAD-DM-DxxP-xxx	92B-GAA-DAD-DM-DxxP-xxx
G1/4"	External	92B-AAA-EAD-DM-DxxP-xxx	92B-BAA-EAD-DM-DxxP-xxx	92B-EAA-EAD-DM-DxxP-xxx	92B-FAA-EAD-DM-DxxP-xxx	92B-GAA-EAD-DM-DxxP-xxx
G3/8"		92B-AAA-FAD-DM-DxxP-xxx	92B-BAA-FAD-DM-DxxP-xxx	92B-EAA-FAD-DM-DxxP-xxx	92B-FAA-FAD-DM-DxxP-xxx	92B-GAA-FAD-DM-DxxP-xxx

DUAL PRESSURE MODELS (REQUIRE SANDWICH REGULATOR – SEE "REGULATORS" SECTION)

Port size	Pilot air	5/2 Single operator	5/2 Double operator
Valve less base		92B-CAA-000-DM-DxxP-xxx	92B-DAA-000-DM-DxxP-xxx
G1/8"		92B-CAA-DAA-DM-DxxP-xxx	92B-DAA-DAA-DM-DxxP-xxx
G1/4"	Internal	92B-CAA-EAA-DM-DxxP-xxx	92B-DAA-EAA-DM-DxxP-xxx
G3/8"		92B-CAA-FAA-DM-DxxP-xxx	92B-DAA-FAA-DM-DxxP-xxx
G1/8"		92B-CAA-DAD-DM-DxxP-xxx	92B-DAA-DAD-DM-DxxP-xxx
G1/4"	External	92B-CAA-EAD-DM-DxxP-xxx	92B-DAA-EAD-DM-DxxP-xxx
G3/8"		92B-CAA-FAD-DM-DxxP-xxx	92B-DAA-FAD-DM-DxxP-xxx

SOLENOID OPERATOR ▶

DM-D **XX** P-**XXX***

Above models are shown with side ports.

XX Voltage	X Manual operator	XX Electrical connection
JA 110 V~/50Hz	1 Non-locking	DM Plug-in
JB 220 V~/50Hz	2 Locking	DN Plug-in with diode
JC 24 V~/50Hz		DP Plug-in with M.O.V.
FB 24 V~/1,8W		DG Plug-in with ground
DA 24 V~/5,4W		DJ Plug-in with M.O.V. & ground
DF 24 V~/12,7W		DH Plug-in with diode & ground

* Other options available, see page 385.
 Note: Ground required for 30 Volts or higher.
 Other options available for the 92 series valves, see page 202.

31
33
34
36
32
37
38
52
53
54
67
68
69
41
43
44
23
24
46
42
47
48P
48
400
92
83
93
ISO 01
ISO 02
ISO 1
ISO 2
ISO 3

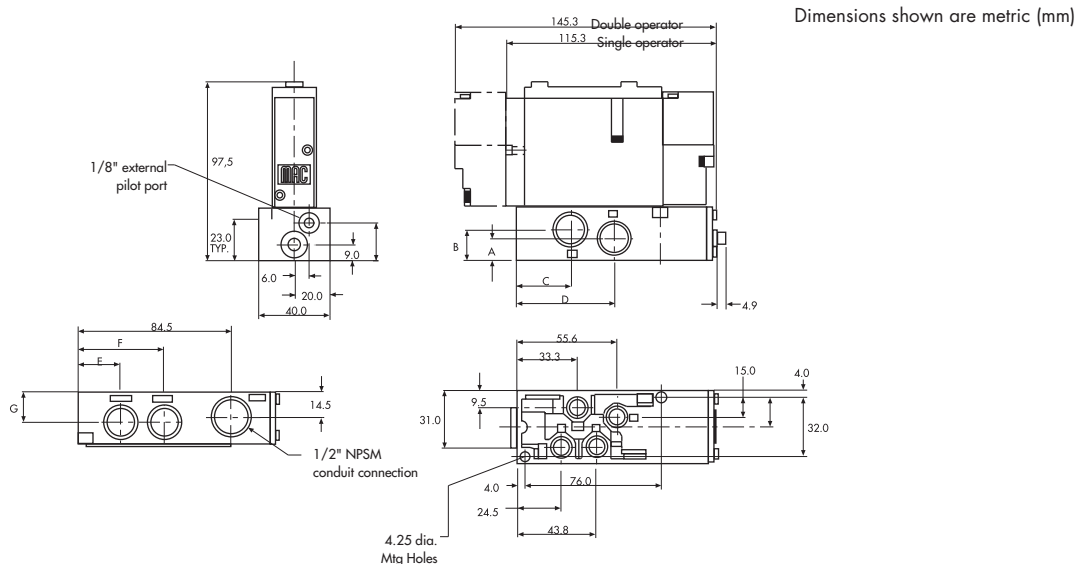
TECHNICAL DATA

Fluid :	Compressed air, vacuum, inert gases		
Pressure range :	Internal pilot : 1,3 to 8 bar	3 position : 2,3 to 8 bar	
	External pilot : vacuum to 8 bar	3 position : 2,3 to 8 bar	
Lubrication :	Not required, if used select a medium aniline point lubricant (between 80°C and 100°C)		
Filtration :	40 µ		
Temperature range :	-18°C to +50°C		
Orifice :	6,2 mm		
Flow (at 6 bar, ΔP=1bar) :	1/8": 1000NI/min (Cv 1.0) – 1/4": 1100 NI/min (Cv 1.1) – 3/8": 1200 NI/min (Cv 1.2)		
Coil :	Epoxy encapsulated – class A – 100%ED (specify mod 0449)		
Voltage range :	-15% to +10% of nominal voltage		
Protection :	IP65 (electrical connection)		
Power :	~Inrush 7,6 VA	Holding : 4,8 VA	
	= 1,8 to 12,7 W		
Response times :	24V~/5,4W	Energize : 8 ms	De-energize : 7 ms
	120V~/50Hz	Energize : 7-13 ms	De-energize : 12-20 ms

Options : • NPTF threads • Sandwich flow control: FC92B-AA (sgl. operator), FC92B-BA (dbl. operator)

Spare parts : • Pilot valve DM-DxxP-xxx • Valve blanking plate: M-92002
• Pressure seal between valve and base : 16543. • Mounting screws valve to base (X2) : 35050.

DIMENSIONS



DIM.	A	B	C	D	E	F	G
G1/8"	12.5	18.0	31.0	54.0	23.5	46.5	18.0
G1/4"	12.5	18.0	31.0	54.0	23.5	46.5	18.0
G3/8"	12.0	17.0	30.0	54.0	23.5	47.5	17.0



Direct solenoid and solenoid pilot operated valves

Function	Port size	Flow [Max]	Manifold mounting	Series
5/2, 5/3	G1/4" - G3/8"	1200 NI/min	Manifold base non "plug-in"	

OPERATIONAL BENEFITS

1. The 4-way pilot develops maximum shifting forces both ways.
2. Memory spring available.
3. Balanced spool, immune to variations of pressure, also provides high flow.
4. Short stroke with high flow.
5. Bonded seal spool with minimum friction, shifting in a glass-like finished bore.
6. Pilot with balanced poppet, high flow; short and consistent response times.
7. Wiping effect eliminates sticking.
8. Long service life.



HOW TO ORDER

SINGLE PRESSURE MODELS

Port size	Pilot air	5/2 Single operator	5/2 Double operator	5/3 Closed centre	5/3 Open centre	5/3 Pressure centre
Valve less base						
G1/4"	Internal	92B-ABA-000-DM-Dxxx-xxx	92B-BBA-000-DM-Dxxx-xxx	92B-EBA-000-DM-Dxxx-xxx	92B-FBA-000-DM-Dxxx-xxx	92B-GBA-000-DM-Dxxx-xxx
G3/8"		92B-ABA-EJG-DM-Dxxx-xxx	92B-BBA-EJG-DM-Dxxx-xxx	92B-EBA-EJG-DM-Dxxx-xxx	92B-FBA-EJG-DM-Dxxx-xxx	92B-GBA-EJG-DM-Dxxx-xxx
		92B-ABA-FJG-DM-Dxxx-xxx	92B-BBA-FJG-DM-Dxxx-xxx	92B-EBA-FJG-DM-Dxxx-xxx	92B-FBA-FJG-DM-Dxxx-xxx	92B-GBA-FJG-DM-Dxxx-xxx

DUAL PRESSURE MODELS (REQUIRE SANDWICH REGULATOR – SEE "REGULATORS" SECTION)

Port size	Pilot air	5/2 Single operator	5/2 Double operator
Valve less base			
G1/4"	Internal	92B-CBA-000-DM-Dxxx-xxx	92B-DBA-000-DM-Dxxx-xxx
G3/8"		92B-CBA-EJG-DM-Dxxx-xxx	92B-DBA-EJG-DM-Dxxx-xxx
		92B-CBA-FJG-DM-Dxxx-xxx	92B-DBA-FJG-DM-Dxxx-xxx

Above models are shown with side ports.

SOLENOID OPERATOR >

DM-D **XXX-XXX***

XX Voltage	X Wire length	X Manual operator	XX Electrical connection
JA 110 V~/50Hz	A 45 cm	1 Non-locking	KA Square connector
JB 220 V~/50Hz	J Connector	2 Locking	KD Square connector with light
JC 24 V~/50Hz			JB Rectangular connector
FB 24 V~/1,8W			JD Rect. connector with light
DA 24 V~/5,4W			BA Flying leads
DF 24 V~/12,7W			BK Flying leads with diode

* Other options available, see page 385.

End plate kit required (port size 3/8"): M-92004-01-01P (internal pilot)
M-92004-02-01P (External pilot)

Inlet/exhaust Isolator disc: N-92018.

Other options available for the 92 series valves, see page 201.

- 31
- 33
- 34
- 36
- 32
- 37
- 38
- 52
- 53
- 54
- 67
- 68
- 69
- 41
- 43
- 44
- 23
- 24
- 46
- 42
- 47
- 48P
- 48
- 400
- 92
- 83
- 93
- ISO 01
- ISO 02
- ISO 1
- ISO 2
- ISO 3

TECHNICAL DATA

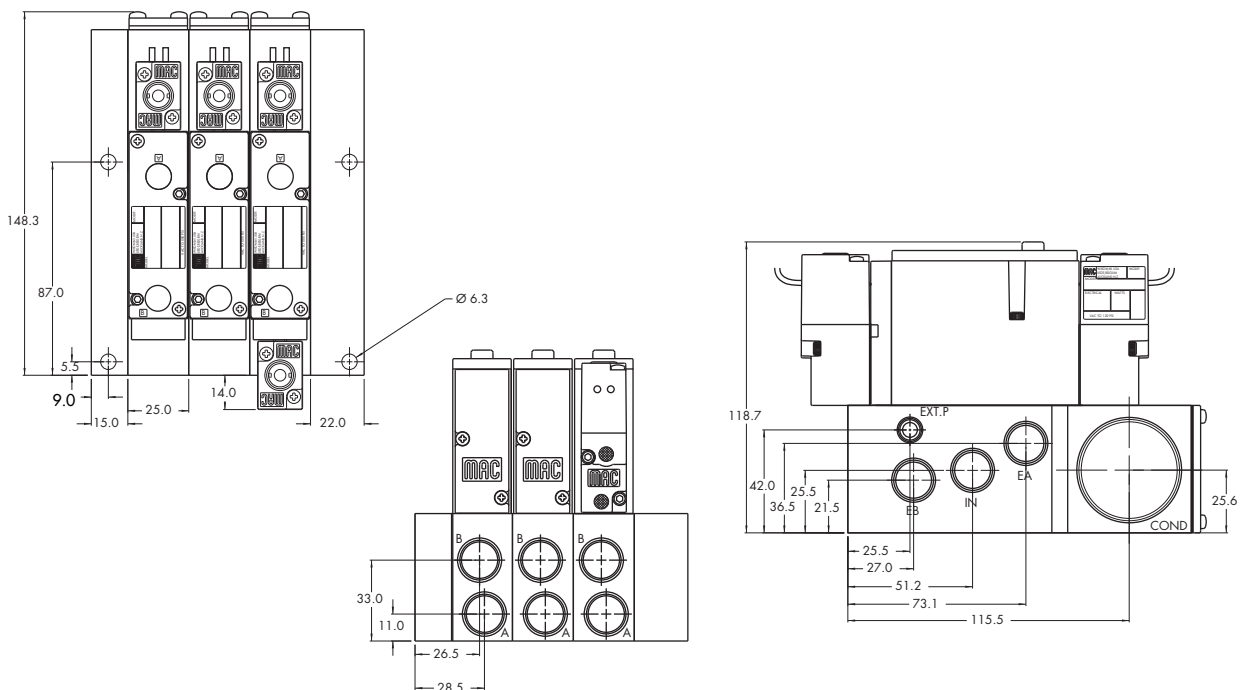
Fluid :	Compressed air, vacuum, inert gases		
Pressure range :	Internal pilot : 1,3 to 8 bar	3 position : 2,3 to 8 bar	
	External pilot : vacuum to 8 bar	3 position : 2,3 to 8 bar	
Lubrication :	Not required, if used select a medium aniline point lubricant (between 80°C and 100°C)		
Filtration :	40 µ		
Temperature range :	-18°C to +50°C		
Orifice :	6,2 mm		
Flow (at 6 bar, ΔP=1bar) :	1/4": 1100 NI/min (Cv1.1) – 3/8": 1200 NI/min (Cv 1.2)		
Coil :	Epoxy encapsulated – class A – 100%ED (specify mod 0449)		
Voltage range :	-15% to +10% of nominal voltage		
Protection :	IP65 (electrical connection)		
Power :	~Inrush 7,6 VA	Holding : 4,8 VA	
	= 1,8 to 12,7 W		
Response times :	24V~/5,4W	Energize : 8 ms	De-energize : 7 ms
	120V~/50Hz	Energize : 7-13 ms	De-energize : 12-20 ms

Options : • NPTF threads • Sandwich flow controls: FC92B-CA

Spare parts : • Pilot valve: DM-Dxxx-xxx • Valve blanking plate: M-92002 • Pressure seal, valve to base 16543

DIMENSIONS

Dimensions shown are metric (mm)





Direct solenoid and solenoid pilot operated valves

Function	Port size	Flow [Max]	Manifold mounting	Series
5/2, 5/3	G1/4" - G3/8"	1200 NI/min	Manifold base "plug-in"	

OPERATIONAL BENEFITS

1. The 4-way pilot develops maximum shifting forces both ways.
2. Memory spring available.
3. Balanced spool, immune to variations of pressure, also provides high flow.
4. Short stroke with high flow.
5. Bonded seal spool with minimum friction, shifting in a glass-like finished bore.
6. Pilot with balanced poppet, high flow; short and consistent response times.
7. Wiping effect eliminates sticking.
8. Long service life.



HOW TO ORDER

SINGLE PRESSURE MODELS

Port size	Pilot air	5/2 Single operator	5/2 Double operator	5/3 Closed centre	5/3 Open centre	5/3 Pressure centre
Valve less base		92B-AAA-000-DM-DxxP-xxx	92B-BAA-000-DM-DxxP-xxx	92B-EAA-000-DM-DxxP-xxx	92B-FAA-000-DM-DxxP-xxx	92B-GAA-000-DM-DxxP-xxx
G1/4"	Internal	92B-AAA-EJA-DM-DxxP-xxx	92B-BAA-EJA-DM-DxxP-xxx	92B-EAA-EJA-DM-DxxP-xxx	92B-FAA-EJA-DM-DxxP-xxx	92B-GAA-EJA-DM-DxxP-xxx
G3/8"		92B-AAA-FJA-DM-DxxP-xxx	92B-BAA-FJA-DM-DxxP-xxx	92B-EAA-FJA-DM-DxxP-xxx	92B-FAA-FJA-DM-DxxP-xxx	92B-GAA-FJA-DM-DxxP-xxx

DUAL PRESSURE MODELS (REQUIRE SANDWICH REGULATOR – SEE "REGULATORS" SECTION)

Port size	Pilot air	5/2 Single operator	5/2 Double operator
Valve less base		92B-CAA-000-DM-DxxP-xxx	92B-DAA-000-DM-DxxP-xxx
G1/4"	Internal	92B-CAA-EJA-DM-DxxP-xxx	92B-DAA-EJA-DM-DxxP-xxx
G3/8"		92B-CAA-FJA-DM-DxxP-xxx	92B-DAA-FJA-DM-DxxP-xxx

SOLENOID OPERATOR ▶

DM-D **XX** P-**XXX***

Above models are shown with side ports and no lights.

XX Voltage	X Manual operator	XX Electrical connection
JA 110 V~/50Hz	1 Non-locking	DM Plug-in
JB 220 V~/50Hz	2 Locking	DN Plug-in with diode
JC 24 V~/50Hz		DP Plug-in with M.O.V.
FB 24 V=/1,8W		DG Plug-in with ground
DA 24 V=/5,4W		DJ Plug-in with M.O.V. & ground
DF 24 V=/12,7W		DH Plug-in with diode & ground

* Other options available, see page 385.
 Note: Ground required for 30 Volts or higher.
 End plate required (port size 3/8"): M-92004-01-01P (internal pilot)
 M-92004-02-01P (external pilot)
 Inlet / exhaust isolator disc: N-92018.
 Other options available for the 92 series valves, see page 202.

31
33
34
36
32
37
38
52
53
54
67
68
69
41
43
44
23
24
46
42
47
48P
48
400
92
83
93
ISO 01
ISO 02
ISO 1
ISO 2
ISO 3

TECHNICAL DATA

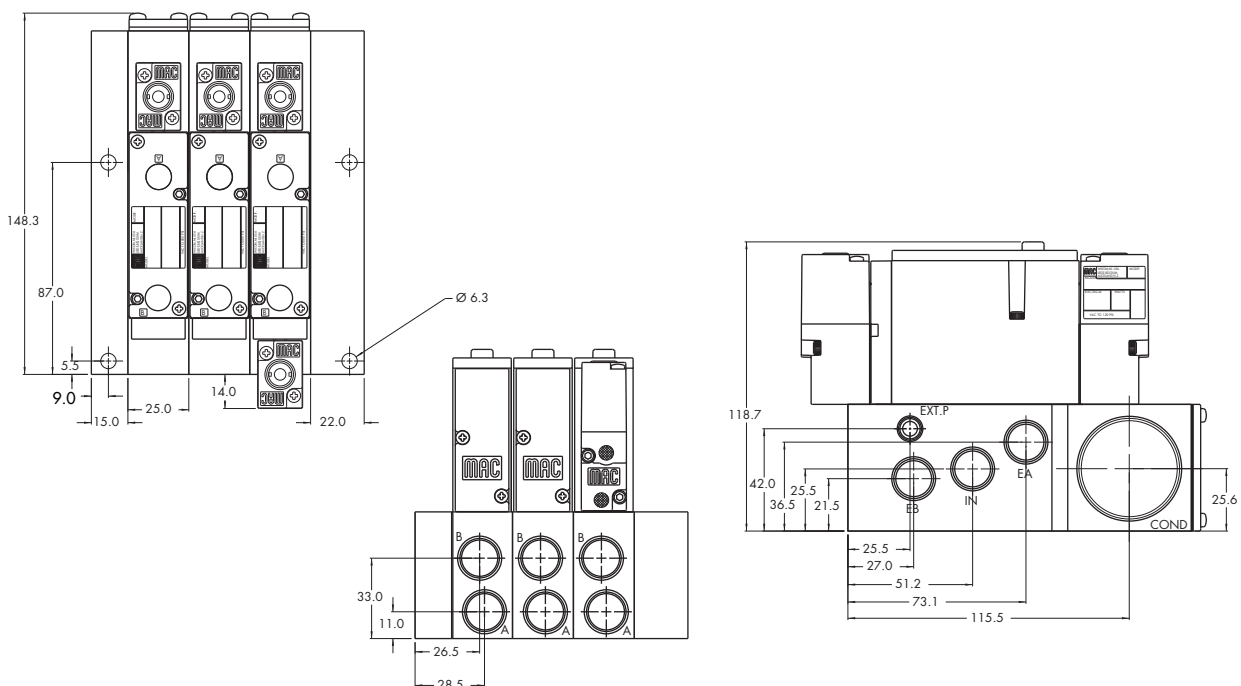
Fluid :	Compressed air, vacuum, inert gases
Pressure range :	Internal pilot : 1,3 to 8 bar 3 position : 2,3 to 8 bar External pilot : vacuum to 8 bar 3 position : 2,3 to 8 bar
Pilot pressure:	1,3 to 8 bar 3 positions 2,3 to 8 bar
Lubrication :	Not required, if used select a medium aniline point lubricant (between 80°C and 100°C)
Filtration :	40 µ
Temperature range :	-18°C to +50°C
Orifice :	6,2 mm
Flow (at 6 bar, ΔP=1bar) :	1/4": 1100 NI/min (Cv1.1) – 3/8": 1200 NI/min (Cv 1.2)
Coil :	Epoxy encapsulated – class A – 100%ED (specify mod 0449)
Voltage range :	-15% to +10% of nominal voltage
Protection :	IP65 (electrical connection)
Power :	~Inrush 7,6 VA Holding : 4,8 VA = 1,8 to 12,7 W
Response times :	24V~/5,4W Energize : 8 ms De-energize : 7 ms 120V~/50Hz Energize : 7-13 ms De-energize : 12-20 ms

Options : • NPTF threads • Sandwich flow controls: FC92B-AA (sgl. operator), FC92B-BA (dbl. operator)

Spare parts : • Pilot valve: DM-DxxP-xxx • Valve blanking plate: M-92002 • Pressure seal, valve to base: 16543
• Mounting screws valve to base (x2): 35050

DIMENSIONS

Dimensions shown are metric (mm)





Direct solenoid and solenoid pilot operated valves

OPTIONS FOR NON PLUG-IN VALVES

Valve function

92B-**HXX**-XXX-XX-D**xxx-xxx**

- H** for 3 position dual pressure, pressure centre*
- J** for 3 position dual pressure, closed centre*
- K** for 3 position dual pressure, open centre*
- L** for single operator, single pressure with memory spring
- N** for single operator, dual pressure with memory spring

Pilot exhaust

92B-**XB**X-XXX-XX-D**xxx-xxx**

- B** standard pilot exhaust
- D** pilot exhaust to main valve exhaust**

Port configuration :

Individual sub-base

92B-XXX-**XAX**-XX-D**xxx-xxx**

- A** side ports
- B** bottom ports (1/8" only)
- C** side & bottom ports (1/8" only)
- D** side inlet & exhaust with bottom cylinder ports (1/8")

Manifold sub-base

92B-XXX-**XJX**-XX-D**xxx-xxx**

- J** side ports
- K** bottom ports

Pilot style :

92B-XXX-XXX-**DM**-D**xxx-xxx**

- DM** pilot exhaust muffled
- DP** pilot exhaust piped (#10-32)
- DU** pilot exhaust to main exhaust

Base only :

92B-000-XXX (i.e. 92B-000-DAG) - Individual base

92B-000-XXX (i.e. 92B-000-EJG) - Manifold base

* Requires sandwich regulator.

** Must use DU pilot. Main valve exhaust cannot be restricted.

31
33
34
36
32
37
38
52
53
54
67
68
69
41
43
44
23
24
46
42
47
48P
48
400
92
83
93
ISO 01
ISO 02
ISO 1
ISO 2
ISO 3



Direct solenoid and solenoid pilot operated valves

OPTIONS FOR PLUG-IN VALVES

Valve function

92B-**HXX**-XXX-XX-D**xxP**-xxx

- H** for 3 position dual pressure, pressure centre*
- J** for 3 position dual pressure, closed centre*
- K** for 3 position dual pressure, open centre*
- L** for single operator, single pressure with memory spring
- N** for single operator, dual pressure with memory spring*

Pilot exhaust

92B-**XAX**-XXX-XX-D**xxP**-xxx

- A** standard pilot exhaust
- C** pilot exhaust to main valve exhaust**

Body electrical

92B-**XXA**-XXX-XX-D**xxP**-xxx

- A** no light
- B** light(s)
- F** suppression and blocking diode with light(s)
- H** M.O.V. with light(s)

Port configuration :

Individual sub-base

92B-XXX-**XAX**-XX-D**xxP**-xxx

- A** side ports
- B** bottom ports (1/8" only)
- C** side & bottom ports (1/8" only)
- D** side inlet & exhaust with bottom cylinder ports (1/8")

Manifold sub-base

92B-XXX-**XJX**-XX-D**xxP**-xxx

- J** side ports
- K** bottom ports

Base/manifold int./ext. pilot

92B-XXX-**XXA**-XX-D**xxP**-xxx

- A** internal pilot no light
- B** internal pilot single light
- C** internal pilot double light
- D** external pilot no light
- E** external pilot single light
- F** external pilot double light

Pilot style :

92B-XXX-XXX-**DM**-D**xxP**-xxx

- DM** pilot exhaust muffled
- DP** pilot exhaust piped (#10-32)
- DU** pilot exhaust to main exhaust

Lead Wire Lengths : (manifold sub-base only)

92B-XXX-XXX-DM-D**xxP**-xxx

- P** option - 30 cm leads
- 1** option - 45 cm leads
- 2** option - 60 cm leads
- 3** option - 90 cm leads
- 4** option - 120 cm leads
- 5** option - 180 cm leads

Base only :

92B-000-XXX (i.e. 92B-000-DAA) - Individual base
(Note: bases are wired for double solenoid valves)

92B-000-XXX (i.e. 92B-000-EJA) - Manifold base

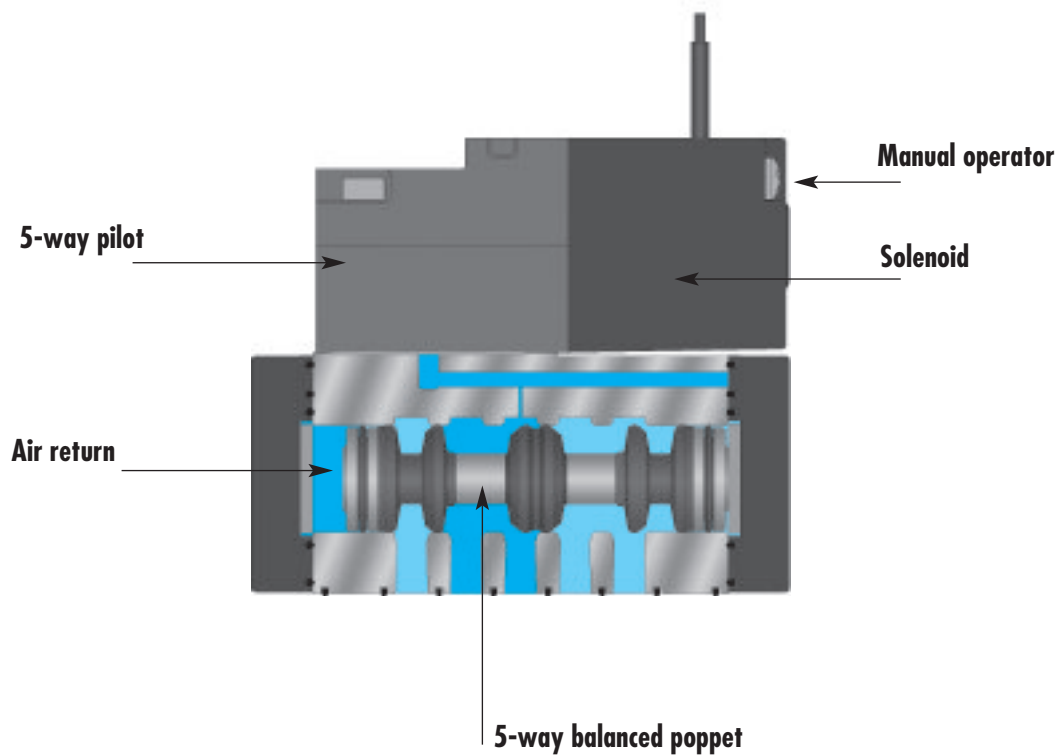
* Requires sandwich regulator.

** Must use DU pilot. Main valve exhaust cannot be restricted.

Individual Mounting

Inline Single operator	Inline Double operator
---------------------------	---------------------------

Série



SERIES FEATURES

- The 4-way pilot develops maximum shifting forces both ways.
- Memory spring available.
- Balanced spool, immune to variations of pressure.
- Short stroke with high flow.
- Bonded spool with minimum friction, shifting in a glass-like finished bore.
- Pilot with balanced poppet, high flow, short and consistent response times.
- Wiping effect eliminates sticking.
- Long service life.

31
33
34
36
32
37
38
52
53
54
67
68
69
41
43
44
23
24
46
42
47
48P
48
400
92
83
93
ISO 01
ISO 02
ISO 1
ISO 2
ISO 3



Direct solenoid and solenoid pilot operated valves

Function	Port size	Flow [Max]	Individual mounting	Series
5/2	G1/4" - G3/8"	1500 NI/min	Individual base Non plug-in Single operator	

OPERATIONAL BENEFITS

1. The 4-way pilot develops maximum shifting forces both ways
2. Memory spring available
3. Balanced spool, immune to variations of pressure, also provides high flow
4. Short stroke with high flow
5. Bonded spool with minimum friction, shifting in a glass-like finished bore
6. Pilot with balanced poppet, high flow, short and consistent response times.
7. Wiping effect eliminates sticking
8. Long service life



HOW TO ORDER

Port size	Pilot air	Single pressure	Dual pressure
G1/4"	Internal	83A-AAC-XX-XXXX-XXX	* 83A-CBC-XX-XXXX-XXX
	External 14 End	83A-ADC-XX-XXXX-XXX	83A-CDC-XX-XXXX-XXX
	External 12 End	83A-AEC-XX-XXXX-XXX	83A-CEC-XX-XXXX-XXX
G3/8"	Internal	83A-AAD-XX-XXXX-XXX	* 83A-CBD-XX-XXXX-XXX
	External 14 End	83A-ADD-XX-XXXX-XXX	83A-CDD-XX-XXXX-XXX
	External 12 End	83A-AED-XX-XXXX-XXX	83A-CED-XX-XXXX-XXX

* Pilot supply from port #5

SOLENOID OPERATOR >

DM-D XXX-XXX**

XX Voltage	X Wire length	X Manual operator	XX Electrical connection
JA 110V~/50Hz (2.9W)	A 45 cm	1 Recessed non locking	BA Flying leads
FB 24V~/1.8W	B 60 cm	2 Recessed locking	KA Square connector
DA 24V~/5.4W	J* 15 cm		KD Square connector with light
			JB Rectangular connector
			JD Rectangular connector with light

* For use with "J" & "K" type connectors

** Other options available, see page 385.

GM-G XXX-XXX*

XX Voltage	X Wire length	X Manual operator	XX Electrical connection
DC 24V~/1.8W	A 45 cm	1 Recessed non locking	BA Flying leads
DD 24V~/2.5W	B 60 cm	2 Recessed locking	KA Solenoid plug-in wire assy
DF 24V~/4.0W	C 90 cm		GA MAC JAC solenoid plug-in wire assembly

* Other options available, see page 389.

RM-R XXX-XXX*

XX Voltage	X Wire length	X Manual operator	XX Electrical connection
DC 24V~/1.8W	A 45 cm	1 Recessed non locking	BA Flying leads
DD 24V~/2.5W	B 60 cm	3 Extended non locking	RA Mini JAC solenoid plug-in
DF 24V~/4.0W	C 90 cm		RB Mini JAC solenoid plug-in with LED
DJ 12V~/1.8W			TA JST solenoid plug-in

* Other options available, see page 399.

OPTIONS

Spool type: 83-XX-XX-XXXX-XXX

- M Single operator - single pressure with memory spring
- N Single operator - dual pressure with memory spring

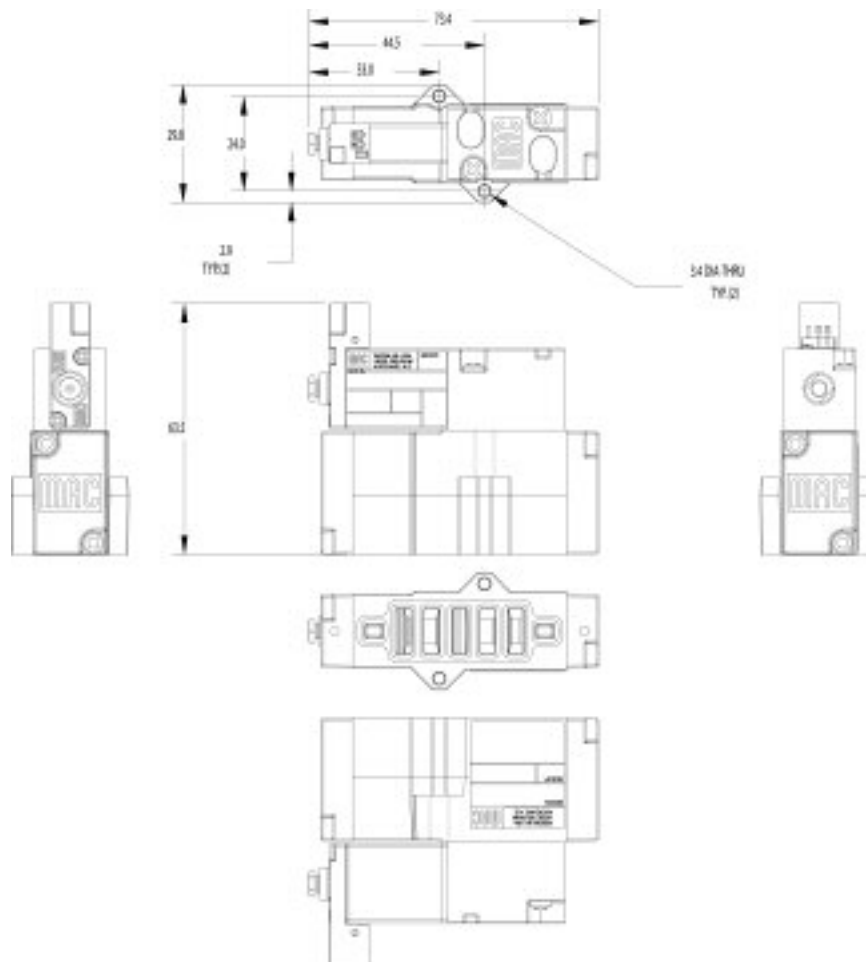
31
33
34
36
32
37
38
52
53
54
67
68
69
41
43
44
23
24
46
42
47
48P
48
400
92
83
93
ISO 01
ISO 02
ISO 1
ISO 2
ISO 3

TECHNICAL DATA

Fluid :	Compressed air, vacuum, inert gases
Pressure range :	Internal Pilot: 1,3 to 8 bar External Pilot: Vacuum to 8 bar
Pilot signal:	1,3 to 8 bar 2,3 to 8 bar for memory spring
Lubrication :	Not required, if used select a medium aniline point lubricant (between 80°C and 100°C)
Filtration :	40 µ
Temperature range :	-18°C to +50°C
Flow :	1500 NI/min (Cv 1.5)
Coil :	Epoxy encapsulated - Class A wires - 100% ED
Voltage range :	-15% à +10%
Power :	5.4 W - 4.0 W - 2.5 W - 1.8 W
Option :	• NPTF thread

DIMENSIONS

Dimensions shown are metric (mm)





Direct solenoid and solenoid pilot operated valves

Function	Port size	Flow [Max]	Individual mounting	Series
5/2, 5/3	G1/4" - G3/8"	1500 NI/min	Individual base Non plug-in Double operator	

OPERATIONAL BENEFITS

1. The 4-way pilot develops maximum shifting forces both ways
2. Memory spring available
3. Balanced spool, immune to variations of pressure, also provides high flow
4. Short stroke with high flow
5. Bonded spool with minimum friction, shifting in a glass-like finished bore
6. Pilot with balanced poppet, high flow, short and consistent response times.
7. Wiping effect eliminates sticking
8. Long service life



HOW TO ORDER

SINGLE PRESSURE MODELS

Port size	Pilot air	5/2 Double operator	5/3 Closed center	5/3 open center
G1/4"	Internal	83A-BAC-xx-xxxx-xxx	83A-EAC-xx-xxxx-xxx	83A-FAC-xx-xxxx-xxx
	External 14 End	83A-BDC-xx-xxxx-xxx	83A-EDC-xx-xxxx-xxx	83A-FDC-xx-xxxx-xxx
	External 12 End	83A-BEC-xx-xxxx-xxx	83A-EEC-xx-xxxx-xxx	83A-FEC-xx-xxxx-xxx
G3/8"	Internal	83A-BAD-xx-xxxx-xxx	83A-EAD-xx-xxxx-xxx	83A-FAD-xx-xxxx-xxx
	External 14 End	83A-BDD-xx-xxxx-xxx	83A-EDD-xx-xxxx-xxx	83A-FDD-xx-xxxx-xxx
	External 12 End	83A-BED-xx-xxxx-xxx	83A-EED-xx-xxxx-xxx	83A-FED-xx-xxxx-xxx

SINGLE PRESSURE MODELS

Port size	Pilot air	5/2 Double operator	5/3 Closed center
G1/4"	Internal from Port 5	83A-DBC-xx-xxxx-xxx	83A-GBC-xx-xxxx-xxx
	External 14 End	83A-DDC-xx-xxxx-xxx	83A-GDC-xx-xxxx-xxx
	External 12 End	83A-DEC-xx-xxxx-xxx	83A-GEC-xx-xxxx-xxx
G3/8"	Internal from Port 5	83A-DBD-xx-xxxx-xxx	83A-GBD-xx-xxxx-xxx
	External 14 End	83A-DDD-xx-xxxx-xxx	83A-GDD-xx-xxxx-xxx
	External 12 End	83A-DED-xx-xxxx-xxx	83A-GED-xx-xxxx-xxx

SOLENOID OPERATOR >

TM-D XXX-XXX**

XX Voltage	X Wire length	X Manual operator	XX Electrical connection
AA 110V~/50Hz	A 45 cm	1 Recessed non locking	BA Flying leads
FB 24 V~/1.8W	B 60 cm	2 Recessed locking	KA Square connector
DA 24 V~/5.4W	J* 15 cm		KD Square connector with light
			JB Rectangular connector
			JD Rectangular connector with light

** Other options available, see page 403.

* For use with "J" & "K" type connectors

RM-R XXX-XXX*

XX Voltage	X Wire length	X Manual operator	XX Electrical connection
DB 24V~/1.0W	A 45 cm	0 No operator	BA Flying leads
DC 24V~/1.8W	B 60 cm	1 Recessed non locking	RA Mini JAC solenoid plug-in
DH 12V~/1.0W	C 90 cm	3 Extended non locking	RB Mini JAC solenoid plug-in with LED
DJ 12V~/1.8W			TA JST solenoid plug-in
			TB JST solenoid plug-in with LED

* Other options available, see page 399.

31
33
34
36
32
37
38
52
53
54
67
68
69
41
43
44
23
24
46
42
47
48P
48
400
92
83
93
ISO 01
ISO 02
ISO 1
ISO 2
ISO 3



100%
OF
PRODUCTION
TESTED
100%

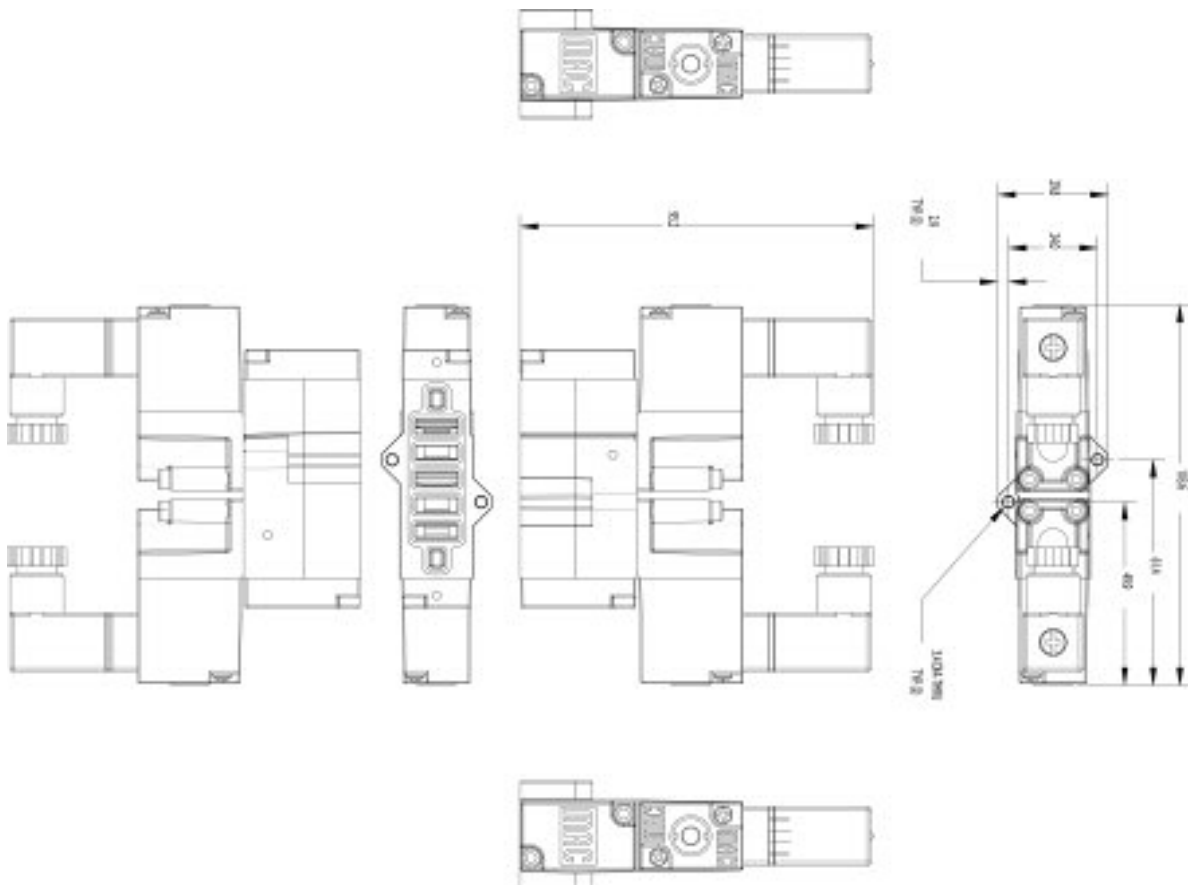
WARRANTY
18
MONTHS

TECHNICAL DATA

Fluid :	Compressed air, vacuum, inert gases
Pressure range :	Internal pilot : 1,3 to 8 bar (2 pos.) - 2 to 8 bar (3 pos.) External pilot : Vacuum to 8 bar
Pilot signal:	1,3 to 8 bar 2 to 8 bar (3 positions)
Lubrication :	Not required, if used select a medium aniline point lubricant (between 80°C and 100°C)
Filtration :	40 µ
Temperature range :	-18°C to +50°C
Flow :	2-position: 1500 Nl/min (Cv 1.5) - 3-position: 1100 Nl/min (Cv 1.1)
Coil :	Epoxy encapsulated - Class A wires – 100% ED
Voltage range :	-15% à +10%
Power :	5.4 W – 1.8 W
Option :	• NPTF thread

DIMENSIONS

Dimensions shown are metric (mm)

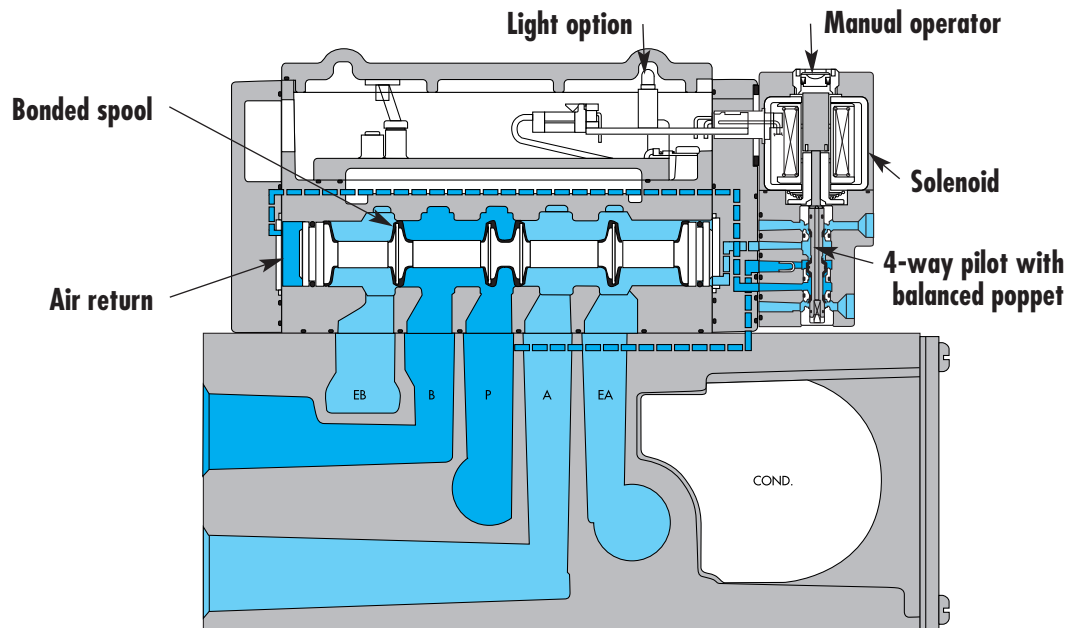


Individual mounting

Inline	Sub-base non "plug-in"	Sub-base "plug-in"
--------	------------------------	--------------------

Manifold mounting

Manifold base non "plug-in"	Manifold base "plug-in"
-----------------------------	-------------------------



SERIES FEATURES

- Patented MACSOLENOID® for fastest possible response times and virtually burn-out proof AC solenoid operation.
- Optional low watt DC solenoids.
- Optional memory spring.
- Plug-in design of valves and bases for ease of maintenance.
- 2 position or 3 position valve configurations.

Series

31

33

34

36

32

37

38

52

53

54

67

68

69

41

43

44

23

24

46

42

47

48P

48

400

92

83

93

ISO 01

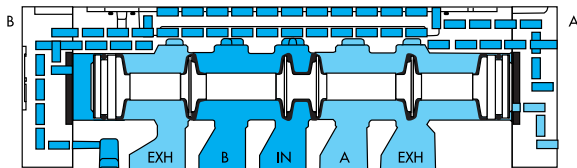
ISO 02

ISO 1

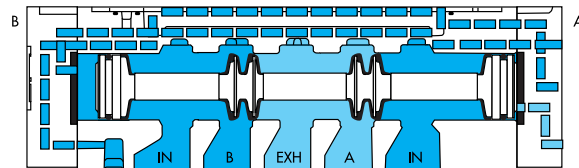
ISO 2

ISO 3

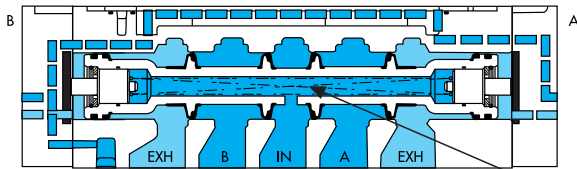
SPOOL CONFIGURATIONS



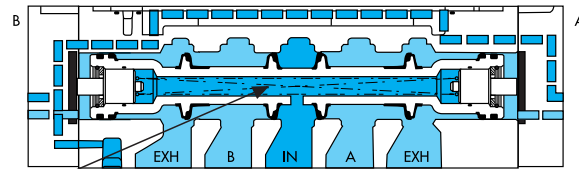
2 POSITION SINGLE PRESSURE
SHOWN WITH "B" OPERATOR ENERGIZED



2 POSITION DUAL PRESSURE
SHOWN WITH "B" OPERATOR ENERGIZED

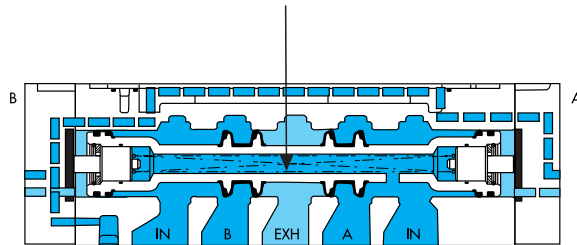


3 POSITION CLOSED CENTER



3 POSITION OPEN CENTER

SPRING CENTERING

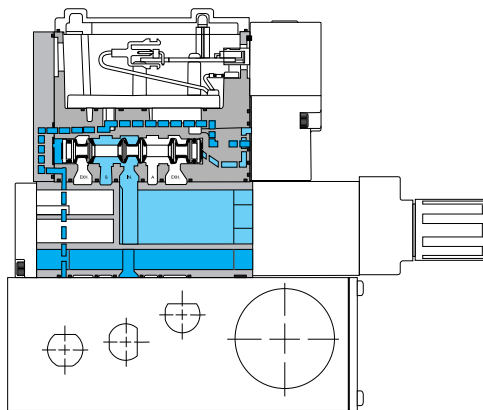


3 POSITION DUAL PRESSURE, PRESSURE CENTER

REGULATOR CONFIGURATIONS

SINGLE REGULATOR - SINGLE PRESSURE

Pressure supplied to the individual or manifold base passes through the regulator. Regulated pressure is supplied to the pressure path of the valve.

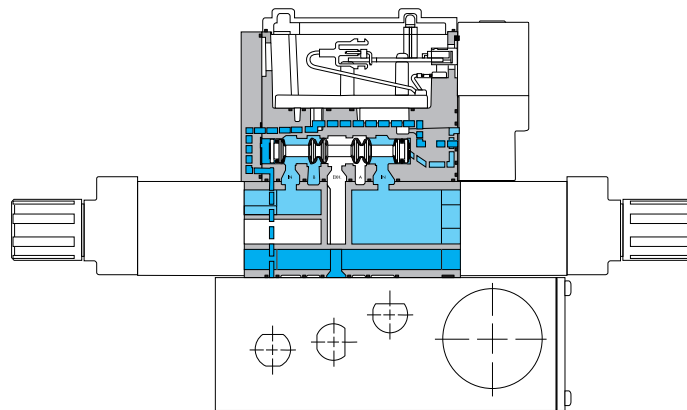


MANIFOLD WITH REGULATOR - SINGLE PRESSURE

Note: For both single and dual pressure, air supply to the pilot system is never regulated.

DUAL REGULATOR - DUAL PRESSURE

Pressure supplied from each regulator is divided in the block. Regulated pressure from "A" regulator supplies cylinder port "A". Regulated pressure from "B" regulator supplies cylinder port "B". Dual pressure regulators require dual pressure spool in valve.



MANIFOLD WITH REGULATOR - DUAL PRESSURE





Function	Port size	Flow [Max]	Individual mounting	Series
5/2, 5/3	G3/8" - G1/2"	3800 NI/min	Inline	

OPERATIONAL BENEFITS

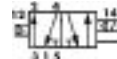

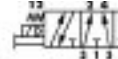
1. Unique patented Macsolenoid® for fastest possible response times and virtually burn-out proof solenoid operation.
2. Balanced poppet 4-way pilot valve provides maximum shifting forces, precise repeatability and consistent operation.
3. Air only return. Optional memory spring is also available.
4. Optional low wattage DC solenoid down to 1 watt.
5. MAC spool and bore combination wipes away contamination, eliminates sticking and allows for use on non-lube service.

HOW TO ORDER

SINGLE PRESSURE MODELS

Port size	Pilot air	5/2 Single operator	5/2 Double operator	5/3 Closed centre	5/3 Open centre
					
G3/8"	Internal	93A-AJO-E0J-DM-Dxxx-xxx	93A-BJO-E0J-DM-Dxxx-xxx	93A-EJO-E0J-DM-Dxxx-xxx	93A-FJO-E0J-DM-Dxxx-xxx
G1/2"	Internal	93A-AJO-F0J-DM-Dxxx-xxx	93A-BJO-F0J-DM-Dxxx-xxx	93A-EJO-F0J-DM-Dxxx-xxx	93A-FJO-F0J-DM-Dxxx-xxx
G3/8"	External	93A-AJO-E0K-DM-Dxxx-xxx	93A-BJO-E0K-DM-Dxxx-xxx	93A-EJO-E0K-DM-Dxxx-xxx	93A-FJO-E0K-DM-Dxxx-xxx
G1/2"	External	93A-AJO-F0K-DM-Dxxx-xxx	93A-BJO-F0K-DM-Dxxx-xxx	93A-EJO-F0K-DM-Dxxx-xxx	93A-FJO-F0K-DM-Dxxx-xxx

DUAL PRESSURE MODELS

Port size	Pilot air	5/2 Single operator	5/2 Double operator	5/3 Pressure centre
				
G3/8"	Internal	93A-CJO-E0J-DM-Dxxx-xxx	93A-DJO-E0J-DM-Dxxx-xxx	93A-HJO-E0J-DM-Dxxx-xxx
G1/2"	Internal	93A-CJO-F0J-DM-Dxxx-xxx	93A-DJO-F0J-DM-Dxxx-xxx	93A-HJO-F0J-DM-Dxxx-xxx
G3/8"	External	93A-CJO-E0K-DM-Dxxx-xxx	93A-DJO-E0K-DM-Dxxx-xxx	93A-HJO-E0K-DM-Dxxx-xxx
G1/2"	External	93A-CJO-F0K-DM-Dxxx-xxx	93A-DJO-F0K-DM-Dxxx-xxx	93A-HJO-F0K-DM-Dxxx-xxx

SOLENOID OPERATOR >

DM-D **XXX-XXX***

XX Voltage	X Wire length	X Manual operator	XX Electrical connection
JA 110 V~/50Hz	A 45 cm (Flying leads)	1 Non-locking	KA Square connector
JB 220 V~/50Hz	B 60 cm (Flying leads)	2 Locking	KD Square connector with light
JC 24 V~/50Hz	J Connector		JB Rectangular connector
FB 24 V=/1,8W			JD Rectangular connector with light
DA 24 V=/5,4W			BA Flying leads
DF 24 V=/12,7W			

* Other options available, see page 385.

OPTIONS

Pilot exhaust : **93A-XJX-XXX-DM-Dxxx-xxx**

- J** Standard pilot exhaust
- K** Pilot exhaust to main exhaust (use DU pilot)

Other options available for the 93 series valves, see page 221.



31
33
34
36
32
37
38
52
53
54
67
68
69
41
43
44
23
24
46
42
47
48P
48
400
92
83
93
ISO 01
ISO 02
ISO 1
ISO 2
ISO 3



100%
OF
PRODUCTION
TESTED
100%

WARRANTY
18
MONTHS

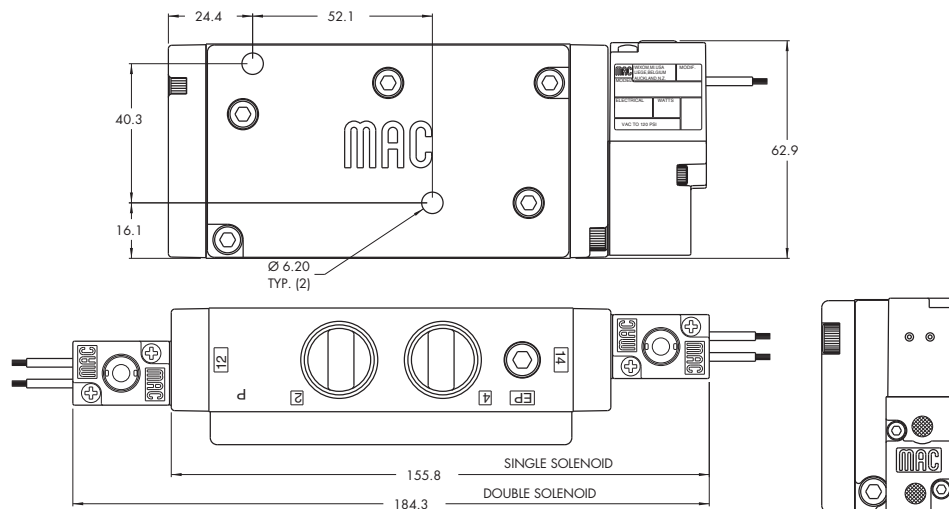
TECHNICAL DATA

Fluid :	Compressed air, vacuum, inert gases
Pressure range :	Internal Pilot: 1,3 to 8 bar External Pilot: Vacuum to 8 bar
Lubrication :	Not required, if used select a medium aniline point lubricant (between 80°C and 100°C)
Filtration :	40 µ
Temperature range :	-18°C to +50°C
Orifice :	11,7 mm
Flow (at 6 bar, ΔP=1bar) :	3800 NI/min (Cv 3,8)
Coil :	Epoxy encapsulated – 100% ED
Voltage range :	-15% to +10% of nominal voltage
Protection :	IP65 (electrical connection)
Power :	~ Inrush 7,6 VA Holding: 4,8 VA = 1.8 to 12.7 W
Response times : (with 4 W coil)	Energize : 13 ms De-energize : 10 ms

Option : • NPTF thread

DIMENSIONS

Dimensions shown are metric (mm)





Direct solenoid and solenoid pilot operated valves

Function	Port size	Flow (Max)	Individual mounting	Series
5/2, 5/3	G1/4" - G3/8" - G1/2"	3400 NI/min	Subbase non "plug-in"	

OPERATIONAL BENEFITS

1. Unique patented Macsolenoid® for fastest possible response times and virtually burn-out proof solenoid operation.
2. Balanced poppet 4-way pilot valve provides maximum shifting forces, precise repeatability and consistent operation.
3. Air only return. Optional memory spring is also available.
4. Optional low wattage DC solenoid down to 1 watt.
5. MAC spool and bore combination wipes away contamination, eliminates sticking and allows for use on non-lube service.



HOW TO ORDER

SINGLE PRESSURE MODELS (1/4" MODELS ARE BOTTOM PORTED)

Port size	Pilot air	5/2 Single operator	5/2 Double operator	5/3 Closed centre	5/3 Open centre
Valve less base		93A-ABA-000-DM-Dxxx-xxx	93A-BBA-000-DM-Dxxx-xxx	93A-EBA-000-DM-Dxxx-xxx	93A-FBA-000-DM-Dxxx-xxx
G1/4"		93A-ABA-DBG-DM-Dxxx-xxx	93A-BBA-DBG-DM-Dxxx-xxx	93A-EBA-DBG-DM-Dxxx-xxx	93A-FBA-DBG-DM-Dxxx-xxx
G3/8"	Internal	93A-ABA-EAG-DM-Dxxx-xxx	93A-BBA-EAG-DM-Dxxx-xxx	93A-EBA-EAG-DM-Dxxx-xxx	93A-FBA-EAG-DM-Dxxx-xxx
G1/2"		93A-ABA-FAG-DM-Dxxx-xxx	93A-BBA-FAG-DM-Dxxx-xxx	93A-EBA-FAG-DM-Dxxx-xxx	93A-FBA-FAG-DM-Dxxx-xxx
G1/4"		93A-ABA-DBH-DM-Dxxx-xxx	93A-BBA-DBH-DM-Dxxx-xxx	93A-EBA-DBH-DM-Dxxx-xxx	93A-FBA-DBH-DM-Dxxx-xxx
G3/8"	External	93A-ABA-EAH-DM-Dxxx-xxx	93A-BBA-EAH-DM-Dxxx-xxx	93A-EBA-EAH-DM-Dxxx-xxx	93A-FBA-EAH-DM-Dxxx-xxx
G1/2"		93A-ABA-FAH-DM-Dxxx-xxx	93A-BBA-FAH-DM-Dxxx-xxx	93A-EBA-FAH-DM-Dxxx-xxx	93A-FBA-FAH-DM-Dxxx-xxx

DUAL PRESSURE MODELS (REQUIRE SANDWICH REGULATOR, SEE „REGULATORS“ SECTION (1/4" MODELS ARE BOTTOM PORTED))

Port size	Pilot air	5/2 Single operator	5/2 Double operator	5/3 Pressure centre
Valve less base		93A-CBA-000-DM-Dxxx-xxx	93A-DBA-000-DM-Dxxx-xxx	93A-HBA-000-DM-Dxxx-xxx
G1/4"		93A-CBA-DBG-DM-Dxxx-xxx	93A-DBA-DBG-DM-Dxxx-xxx	93A-HBA-DBG-DM-Dxxx-xxx
G3/8"	Internal	93A-CBA-EAG-DM-Dxxx-xxx	93A-DBA-EAG-DM-Dxxx-xxx	93A-HBA-EAG-DM-Dxxx-xxx
G1/2"		93A-CBA-FAG-DM-Dxxx-xxx	93A-DBA-FAG-DM-Dxxx-xxx	93A-HBA-FAG-DM-Dxxx-xxx
G1/4"		93A-CBA-DBH-DM-Dxxx-xxx	93A-DBA-DBH-DM-Dxxx-xxx	93A-HBA-DBH-DM-Dxxx-xxx
G3/8"	External	93A-CBA-EAH-DM-Dxxx-xxx	93A-DBA-EAH-DM-Dxxx-xxx	93A-HBA-EAH-DM-Dxxx-xxx
G1/2"		93A-CBA-FAH-DM-Dxxx-xxx	93A-DBA-FAH-DM-Dxxx-xxx	93A-HBA-FAH-DM-Dxxx-xxx

SOLENOID OPERATOR >

DM-D **XXX-XXX***

XX Voltage	X Wire length	X Manual operator	XX Electrical connection
JA 110 V~/50Hz	A 45 cm	1 Non-locking	BM Flying leads
JB 220 V~/50Hz	B 60 cm	2 Locking	BN Flying leads with diode
JC 24 V~/50Hz	J Connector		BP Flying leads with M.O.V.
FB 24 V= /1,8W			BG Flying leads with ground
DA 24 V= /5,4W			JB Rectangular connector
DF 24 V= /12,7W			JD Rectangular connector with light

* Other options available, see page 385.
Other options available for the 93 series valves, see page 221.

31
33
34
36
32
37
38
52
53
54
67
68
69
41
43
44
23
24
46
42
47
48P
48
400
92
83
93
ISO 01
ISO 02
ISO 1
ISO 2
ISO 3

TECHNICAL DATA

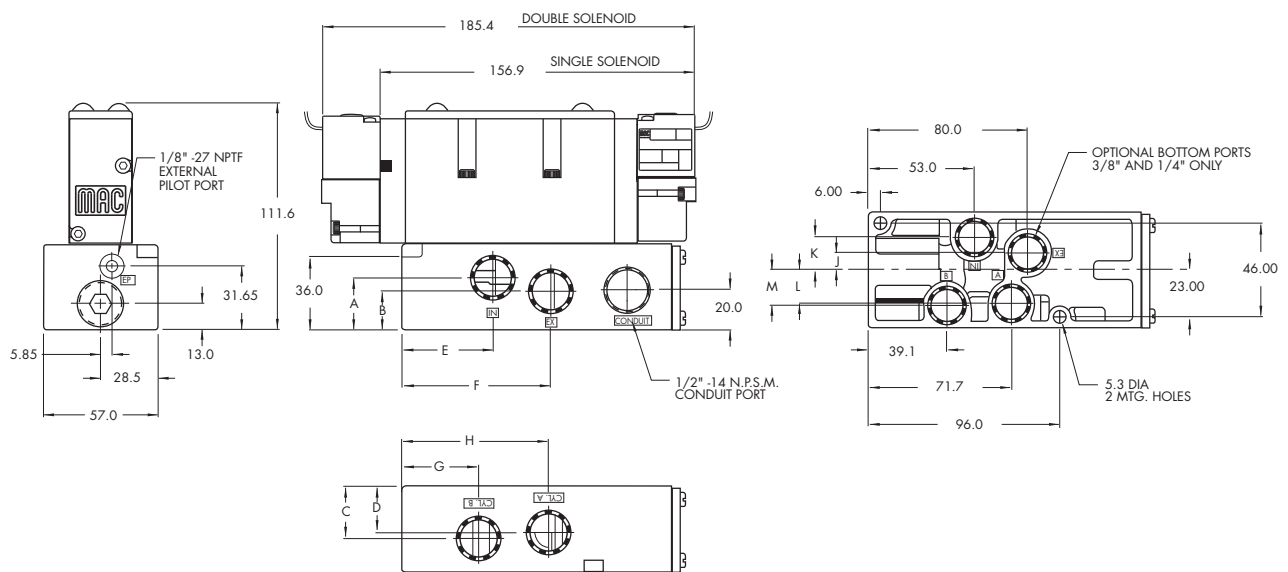
Fluid :	Compressed air, vacuum, inert gases
Pressure range :	Internal Pilot: 1,3 to 8 bar External Pilot: Vacuum to 8 bar
Lubrication :	Not required, if used select a medium aniline point lubricant (between 80°C and 100°C)
Filtration :	40 µ
Temperature range :	-18°C to +50°C
Orifice :	11,7 mm
Flow (at 6 bar, ΔP=1bar) :	1/4", 3/8": 3000 NI/min (Cv3.0) – 1/2": 3400 NI/min (Cv 3,4)
Coil :	Epoxy encapsulated – 100% ED
Voltage range :	-15% to +10% of nominal voltage
Protection :	IP65 (electrical connection)
Power :	~ Inrush 7,6 VA Holding: 4,8 VA = 1 to 12.7 W
Response times : (with 4 W coil)	Energize : 13 ms De-energize : 10 ms

- Options :
- NPTF thread • Sandwich regulator (see „regulators’ section)
 - Sandwich flow controls FC93A-BA (screwdriver slot adjustment)
 FC93A-BB (locking knob adjustment)

- Spare parts :
- Pilot valve: DM-Dxxx-xxx • Valve to base pressure seal: 16622
 - Pilot valve pressure seal: 16542 • Mounting screws valve to base (x4): 35249
 - Pilot valve mounting screws (x2): 35069

DIMENSIONS

Dimensions shown are metric (mm)



DIM.	A	B	C	D	E	F	G	H	DIM.	J	K	L	M
63/8"	27.15	20.65	27.15	24.15	54.1	81.7	38.2	73.5	61/4"	7.0	14.7	15.0	16.5
61/2"	25.5	19.0	25.5	22.5	45.8	75.3	38.2	73.5	63/8"	8.5	16.2	16.5	17.5



Direct solenoid and solenoid pilot operated valves

Function	Port size	Flow [Max]	Individual mounting	Series
5/2, 5/3	G1/4" - G3/8" - G1/2"	3400 NI/min	Subbase "plug-in"	

OPERATIONAL BENEFITS

1. Unique patented Macsolenoid® for fastest possible response times and virtually burn-out proof solenoid operation.
2. Balanced poppet 4-way pilot valve provides maximum shifting forces, precise repeatability and consistent operation.
3. Air only return. Optional memory spring is also available.
4. Optional low wattage DC solenoid down to 1 watt.
5. MAC spool and bore combination wipes away contamination, eliminates sticking and allows for use on non-lube service.



HOW TO ORDER

SINGLE PRESSURE MODELS (1/4" MODELS ARE BOTTOM PORTED)

Port size	Pilot air	5/2 Single operator	5/2 Double operator	5/3 Closed centre	5/3 Open centre
Valve less base		93A-AAA-000-DM-DxxP-xxx	93A-BAA-000-DM-DxxP-xxx	93A-EAA-000-DM-DxxP-xxx	93A-FAA-000-DM-DxxP-xxx
G1/4"		93A-AAA-DBA-DM-DxxP-xxx	93A-BAA-DBA-DM-DxxP-xxx	93A-EAA-DBA-DM-DxxP-xxx	93A-FAA-DBA-DM-DxxP-xxx
G3/8"	Internal	93A-AAA-EAA-DM-DxxP-xxx	93A-BAA-EAA-DM-DxxP-xxx	93A-EAA-EAA-DM-DxxP-xxx	93A-FAA-EAA-DM-DxxP-xxx
G1/2"		93A-AAA-FAA-DM-DxxP-xxx	93A-BAA-FAA-DM-DxxP-xxx	93A-EAA-FAA-DM-DxxP-xxx	93A-FAA-FAA-DM-DxxP-xxx
G1/4"		93A-AAA-DBD-DM-DxxP-xxx	93A-BAA-DBD-DM-DxxP-xxx	93A-EAA-DBD-DM-DxxP-xxx	93A-FAA-DBD-DM-DxxP-xxx
G3/8"	External	93A-AAA-EAD-DM-DxxP-xxx	93A-BAA-EAD-DM-DxxP-xxx	93A-EAA-EAD-DM-DxxP-xxx	93A-FAA-EAD-DM-DxxP-xxx
G1/2"		93A-AAA-FAD-DM-DxxP-xxx	93A-BAA-FAD-DM-DxxP-xxx	93A-EAA-FAD-DM-DxxP-xxx	93A-FAA-FAD-DM-DxxP-xxx

Port size	Pilot air	5/2 Single operator	5/2 Double operator	5/3 Pressure Centre
Valve less base		93A-CAA-000-DM-DxxP-xxx	93A-DAA-000-DM-DxxP-xxx	93A-HAA-000-DM-DxxP-xxx
G1/4"		93A-CAA-DBA-DM-DxxP-xxx	93A-DAA-DBA-DM-DxxP-xxx	93A-HAA-DBA-DM-DxxP-xxx
G3/8"	Internal	93A-CAA-EAA-DM-DxxP-xxx	93A-DAA-EAA-DM-DxxP-xxx	93A-HAA-EAA-DM-DxxP-xxx
G1/2"		93A-CAA-FAA-DM-DxxP-xxx	93A-DAA-FAA-DM-DxxP-xxx	93A-HAA-FAA-DM-DxxP-xxx
G1/4"		93A-CAA-DBD-DM-DxxP-xxx	93A-DAA-DBD-DM-DxxP-xxx	93A-HAA-DBD-DM-DxxP-xxx
G3/8"	External	93A-CAA-EAD-DM-DxxP-xxx	93A-DAA-EAD-DM-DxxP-xxx	93A-HAA-EAD-DM-DxxP-xxx
G1/2"		93A-CAA-FAD-DM-DxxP-xxx	93A-DAA-FAD-DM-DxxP-xxx	93A-HAA-FAD-DM-DxxP-xxx

SOLENOID OPERATOR ▶

DM-D **XX** P-**XXX***

Above models are shown without light.

XX Voltage	X Manual operator	XX Electrical connection
JA 110 V~/50Hz	1 Non-locking	DM Plug-in
JB 220 V~/50Hz	2 Locking	DN Plug-in with diode
JC 24 V~/50Hz		DP Plug-in with M.O.V.
FB 24 V=/1,8W		DG Plug-in with ground
DA 24 V=/5,4W		
DF 24 V=/12,7W		

* Other options available, see page 385.
Note: Ground required for 30 Volts or higher.
Other options available for the 93 series valves, see page 222

31
33
34
36
32
37
38
52
53
54
67
68
69
41
43
44
23
24
46
42
47
48P
48
400
92
83
93
ISO 01
ISO 02
ISO 1
ISO 2
ISO 3



100%
OF
PRODUCTION
TESTED
100%

WARRANTY
18
MONTHS

TECHNICAL DATA

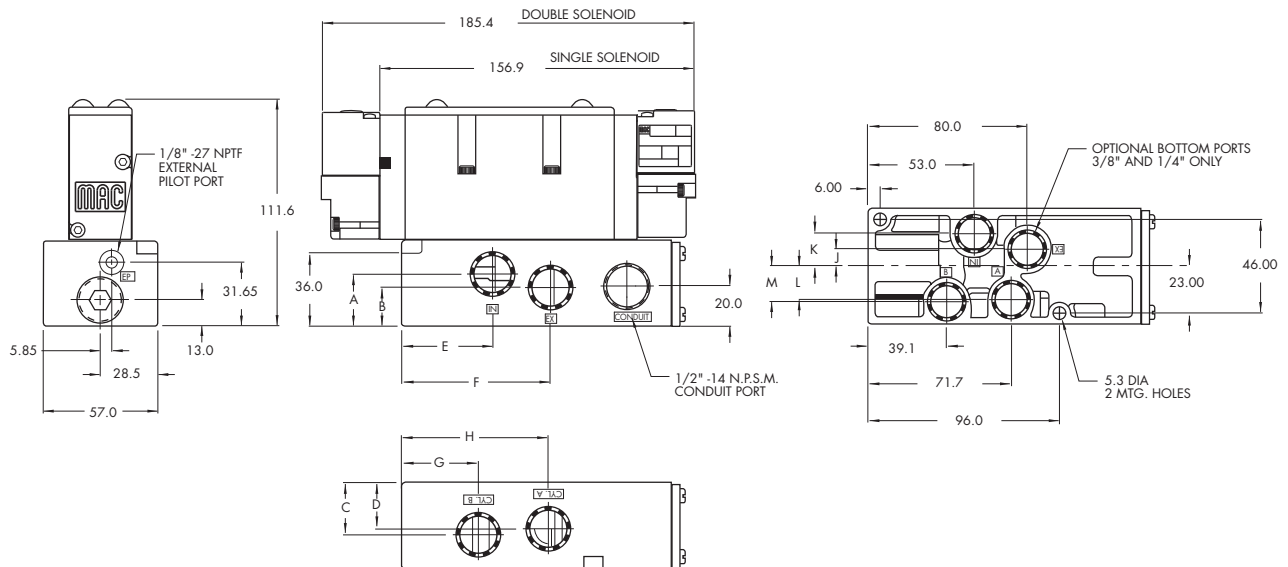
Fluid :	Compressed air, vacuum, inert gases
Pressure range :	Internal Pilot: 1,3 to 8 bar External Pilot: Vacuum to 8 bar
Lubrication :	Not required, if used select a medium aniline point lubricant (between 80°C and 100°C)
Filtration :	40 µ
Temperature range :	-18°C to +50°C
Orifice :	11,7 mm
Flow (at 6 bar, ΔP=1bar) :	1/4", 3/8": 3000 NI/min (Cv3.0) – 1/2": 3400 NI/min (Cv 3,4)
Coil :	Epoxy encapsulated – 100% ED
Voltage range :	-15% to +10% of nominal voltage
Protection :	IP65 (electrical connection)
Power :	~ Inrush 7,6 VA Holding: 4,8 VA = 1 to 12.7 W
Response times : (with 4 W coil)	Energize : 13 ms De-energize : 10 ms

- Options :
- NPTF thread • Sandwich regulator (see ,regulators' section)
 - Sandwich flow controls FC93A-AA (screwdriver slot adjustment)
 FC93A-AB (locking knob adjustment)

- Spare parts :
- Pilot valve: DM-DxxP-xxx • Valve to base pressure seal: 16622
 - Pilot valve pressure seal: 16542 • Mounting screws valve to base (x4): 35249
 - Pilot valve mounting screws (x2): 35069

DIMENSIONS

Dimensions shown are metric (mm)



DIM.	A	B	C	D	E	F	G	H	DIM.	J	K	L	M
63/8"	27.15	20.65	27.15	24.15	54.1	81.7	38.2	73.5	61/4"	7.0	14.7	15.0	16.5
61/2"	25.5	19.0	25.5	22.5	45.8	75.3	38.2	73.5	63/8"	8.5	16.2	16.5	17.5



Direct solenoid and solenoid pilot operated valves

Function	Port size	Flow [Max]	Manifold mounting	Series
5/2, 5/3	G3/8" - G1/2"	3800 NI/min	Manifold base non "plug-in"	

OPERATIONAL BENEFITS

1. Unique patented Macsolenoid® for fastest possible response times and virtually burn-out proof solenoid operation.
2. Balanced poppet 4-way pilot valve provides maximum shifting forces, precise repeatability and consistent operation.
3. Air only return. Optional memory spring is also available.
4. Optional low wattage DC solenoid down to 1 watt.
5. MAC spool and bore combination wipes away contamination, eliminates sticking and allows for use on non-lube service.



HOW TO ORDER

SINGLE PRESSURE MODELS

Port size	Pilot air	5/2 Single operator	5/2 Double operator	5/3 Closed centre	5/3 Open centre
Valve less base		93A-ABA-000-DM-Dxxx-xxx	93A-BBA-000-DM-Dxxx-xxx	93A-EBA-000-DM-Dxxx-xxx	93A-FBA-000-DM-Dxxx-xxx
G3/8"	Internal	93A-ABA-EJG-DM-Dxxx-xxx	93A-BBA-EJG-DM-Dxxx-xxx	93A-EBA-EJG-DM-Dxxx-xxx	93A-FBA-EJG-DM-Dxxx-xxx
G1/2"		93A-ABA-FJG-DM-Dxxx-xxx	93A-BBA-FJG-DM-Dxxx-xxx	93A-EBA-FJG-DM-Dxxx-xxx	93A-FBA-FJG-DM-Dxxx-xxx
G3/8"	External	93A-ABA-EJH-DM-Dxxx-xxx	93A-BBA-EJH-DM-Dxxx-xxx	93A-EBA-EJH-DM-Dxxx-xxx	93A-FBA-EJH-DM-Dxxx-xxx
G1/2"		93A-ABA-FJH-DM-Dxxx-xxx	93A-BBA-FJH-DM-Dxxx-xxx	93A-EBA-FJH-DM-Dxxx-xxx	93A-FBA-FJH-DM-Dxxx-xxx

DUAL PRESSURE MODELS (REQUIRE SANDWICH REGULATOR, SEE „REGULATORS“ SECTION)

Port size	Pilot air	5/2 Single operator	5/2 Double operator	5/3 Pressure centre
Valve less base		93A-CBA-000-DM-Dxxx-xxx	93A-DBA-000-DM-Dxxx-xxx	93A-HBA-000-DM-Dxxx-xxx
G3/8"	Internal	93A-CBA-EJG-DM-Dxxx-xxx	93A-DBA-EJG-DM-Dxxx-xxx	93A-HBA-EJG-DM-Dxxx-xxx
G1/2"		93A-CBA-FJG-DM-Dxxx-xxx	93A-DBA-FJG-DM-Dxxx-xxx	93A-HBA-FJG-DM-Dxxx-xxx
G3/8"	External	93A-CBA-EJH-DM-Dxxx-xxx	93A-DBA-EJH-DM-Dxxx-xxx	93A-HBA-EJH-DM-Dxxx-xxx
G1/2"		93A-CBA-FJH-DM-Dxxx-xxx	93A-DBA-FJH-DM-Dxxx-xxx	93A-HBA-FJH-DM-Dxxx-xxx

SOLENOID OPERATOR >

DM-D **XXX-XXX***

XX Voltage	X Wire length	X Manual operator	XX Electrical connection
JA 110 V~/50Hz	A 45 cm (Flying leads)	1 Non-locking	BM Flying leads
JB 220 V~/50Hz	B 60 cm (Flying leads)	2 Locking	BN Flying leads with diode
JC 24 V~/50Hz	J Connector		KA Square connector
FB 24 V=/1,8W			KD Square connector with light
DA 24 V=/5,4W			
DF 24 V=/12,7W			

* Other options available, see page 385.
 End plate kit required (1/2" ports): M-93001-01-01P internal pilot.
 M-93001-02-01P external pilot.
 Other options available for the 93 series valves, see page 221.

31
33
34
36
32
37
38
52
53
54
67
68
69
41
43
44
23
24
46
42
47
48P
48
400
92
83
93
ISO 01
ISO 02
ISO 1
ISO 2
ISO 3



100%
OF
PRODUCTION
TESTED
100%

WARRANTY
18
MONTHS

TECHNICAL DATA

Fluid :	Compressed air, vacuum, inert gases
Pressure range :	Internal Pilot: 1,3 to 8 bar External Pilot: Vacuum to 8 bar
Lubrication :	Not required, if used select a medium aniline point lubricant (between 80°C and 100°C)
Filtration :	40 µ
Temperature range :	-18°C to +50°C
Orifice :	11,7 mm
Flow (at 6 bar, ΔP=1bar) :	3/8": 3400 NI/min (Cv 3,4) – 1/2": 3800 NI/min (Cv 3.8)
Coil :	Epoxy encapsulated – 100% ED
Voltage range :	-15% to +10% of nominal voltage
Protection :	IP65 (electrical connection)
Power :	~ Inrush 7,6 VA Holding: 4,8 VA = 1 to 12.7 W
Response times : (with 4 W coil)	Energize : 13 ms De-energize : 10 ms

Options :

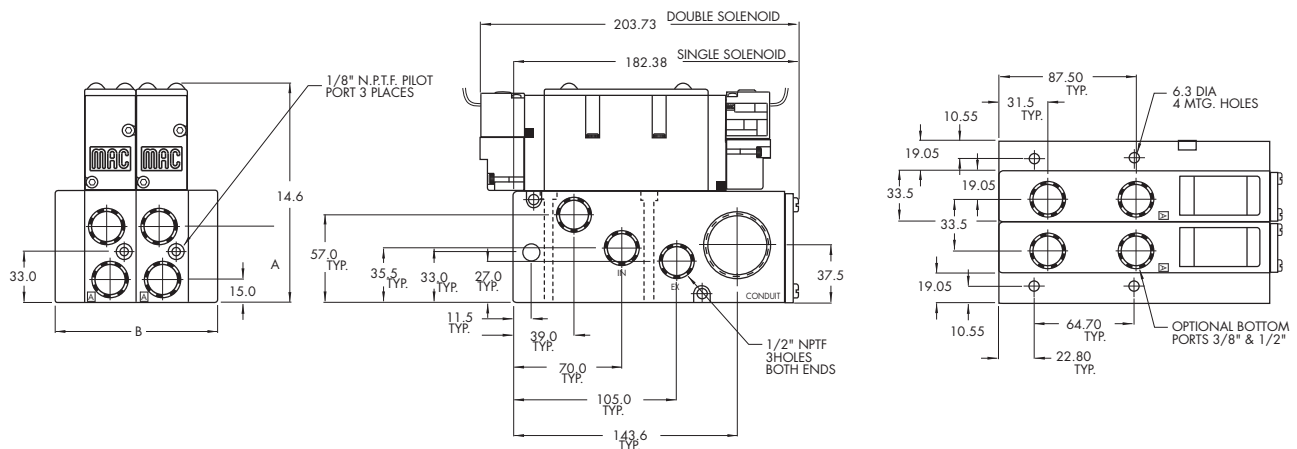
- NPTF thread • Sandwich regulator (see ,regulators' section)
- Sandwich flow controls FC93A-BA (screwdriver slot adjustment), FC93A-BB (locking knob adjustment)

Spare parts :

- Pilot valve: DM-Dxxx-xxx • Valve to base pressure seal: 16622
- Pilot valve pressure seal: 16542 • Mounting screws valve to base (x4): 35249
- Inlet/exh. Isolator disc: N-93008 • Valve blanking plate: M-93002

DIMENSIONS

Dimensions shown are metric (mm)



#	1	2	3	4	5	6	7	8	9	10
B	71.6	105.1	138.6	172.1	205.6	239.1	272.6	306.1	339.6	373.1

DIM.	A
63/8"	47.66
61/2"	49.32



Direct solenoid and solenoid pilot operated valves

Function	Port size	Flow [Max]	Manifold mounting	Series
5/2, 5/3	G3/8" - G1/2"	3800 NI/min	Manifold base "plug-in"	

OPERATIONAL BENEFITS

1. Unique patented Macsolenoid® for fastest possible response times and virtually burn-out proof solenoid operation.
2. Balanced poppet 4-way pilot valve provides maximum shifting forces, precise repeatability and consistent operation.
3. Air only return. Optional memory spring is also available.
4. Optional low wattage DC solenoid down to 1 watt.
5. MAC spool and bore combination wipes away contamination, eliminates sticking and allows for use on non-lube service.

HOW TO ORDER

SINGLE PRESSURE MODELS

Port size	Pilot air	5/2 Single operator	5/2 Double operator	5/3 Closed centre	5/3 Open centre
Valve less base		93A-AAA-000-DM-DxxP-xxx	93A-BAA-000-DM-DxxP-xxx	93A-EAA-000-DM-DxxP-xxx	93A-FAA-000-DM-DxxP-xxx
G3/8"	Internal	93A-AAA-EJA-DM-DxxP-xxx	93A-BAA-EJA-DM-DxxP-xxx	93A-EAA-EJA-DM-DxxP-xxx	93A-FAA-EJA-DM-DxxP-xxx
G1/2"		93A-AAA-FJA-DM-DxxP-xxx	93A-BAA-FJA-DM-DxxP-xxx	93A-EAA-FJA-DM-DxxP-xxx	93A-FAA-FJA-DM-DxxP-xxx
G3/8"	External	93A-AAA-EJD-DM-DxxP-xxx	93A-BAA-EJD-DM-DxxP-xxx	93A-EAA-EJD-DM-DxxP-xxx	93A-FAA-EJD-DM-DxxP-xxx
G1/2"		93A-AAA-FJD-DM-DxxP-xxx	93A-BAA-FJD-DM-DxxP-xxx	93A-EAA-FJD-DM-DxxP-xxx	93A-FAA-FJD-DM-DxxP-xxx

DUAL PRESSURE MODELS (REQUIRE SANDWICH REGULATOR, SEE „REGULATORS“ SECTION)

Port size	Pilot air	5/2 Single operator	5/2 Double operator	5/3 Pressure Centre
Valve less base		93A-CAA-000-DM-DxxP-xxx	93A-DAA-000-DM-DxxP-xxx	93A-HAA-000-DM-DxxP-xxx
G3/8"	Internal	93A-CAA-EJA-DM-DxxP-xxx	93A-DAA-EJA-DM-DxxP-xxx	93A-HAA-EJA-DM-DxxP-xxx
G1/2"		93A-CAA-FJA-DM-DxxP-xxx	93A-DAA-FJA-DM-DxxP-xxx	93A-HAA-FJA-DM-DxxP-xxx
G3/8"	External	93A-CAA-EJD-DM-DxxP-xxx	93A-DAA-EJD-DM-DxxP-xxx	93A-HAA-EJD-DM-DxxP-xxx
G1/2"		93A-CAA-FJD-DM-DxxP-xxx	93A-DAA-FJD-DM-DxxP-xxx	93A-HAA-FJD-DM-DxxP-xxx

SOLENOID OPERATOR >

DM-D **XX** P-**XXX***

Above model numbers are shown with side ports without light.

XX Voltage	X Manual operator	XX Electrical connection
JA 110 V~/50Hz (2,9W)	1 Non-locking	DM Plug-in
JB 220 V~/50Hz (2,9W)	2 Locking	DN Plug-in with diode
JC 24 V~/50Hz (3,7W)		DP Plug-in with M.O.V.
FB 24 V=/1,8W		DG Plug-in with ground
DA 24 V=/5,4W		
DF 24 V=/12,7W		

* Other options available, see page 385.
 End plate required (1/2" ports): M-93001-01-01P Internal pilot.
 M-93001-02-01P External pilot.
 Other options available for the 93 series valves, see page 222



31
33
34
36
32
37
38
52
53
54
67
68
69
41
43
44
23
24
46
42
47
48P
48
400
92
83
93
ISO 01
ISO 02
ISO 1
ISO 2
ISO 3



100%
OF
PRODUCTION
TESTED
100%

WARRANTY
18
MONTHS

TECHNICAL DATA

Fluid :	Compressed air, vacuum, inert gases
Pressure range :	Internal Pilot: 1,3 to 8 bar External Pilot: Vacuum to 8 bar
Lubrication :	Not required, if used select a medium aniline point lubricant (between 80°C and 100°C)
Filtration :	40 µ
Temperature range :	-18°C to +50°C
Orifice :	11,7 mm
Flow (at 6 bar, ΔP=1bar) :	3/8": 3400 NI/min (Cv 3,4) – 1/2": 3800 NI/min (Cv 3.8)
Coil :	Epoxy encapsulated – 100% ED
Voltage range :	-15% to +10% of nominal voltage
Protection :	IP65 (electrical connection)
Power :	~ Inrush 7,6 VA Holding: 4,8 VA = 1 to 12.7 W
Response times : (with 4 W coil)	Energize : 13 ms De-energize : 10 ms

Options :

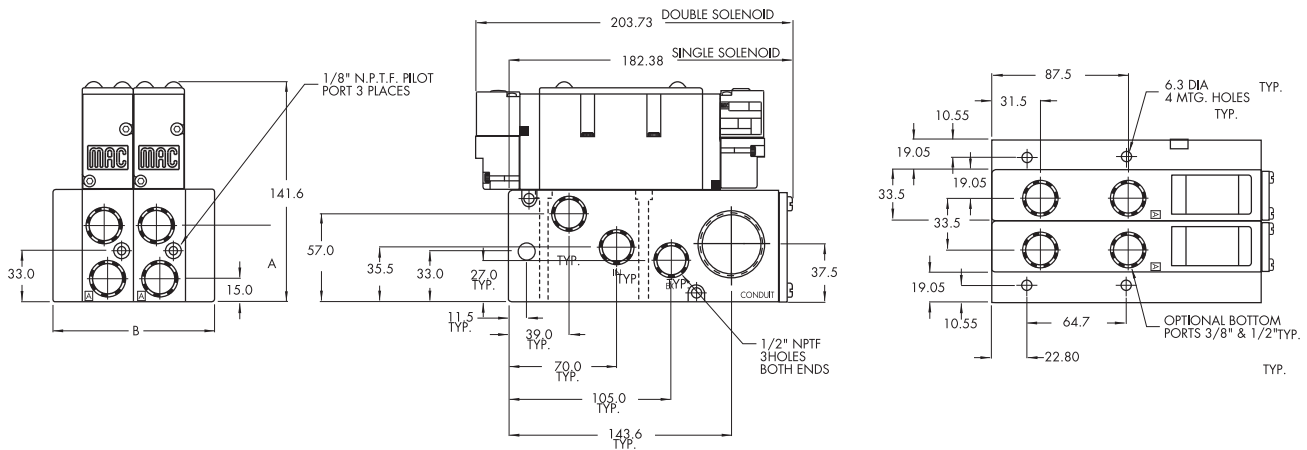
- NPTF thread • Sandwich regulator (see ,regulators' section)
- Sandwich flow controls FC93A-AA (screwdriver slot adjustment), FC93A-AB (locking knob adjustment)

Spare parts :

- Pilot valve: DM-DxxP-xxx • Valve to base pressure seal: 16622
- Pilot valve pressure seal: 16542 • Mounting screws valve to base (x4): 35249
- Inlet/exh. Isolator disc: N-93008 • Valve blanking plate: M-93002

DIMENSIONS

Dimensions shown are metric (mm)



#	1	2	3	4	5	6	7	8	9	10
B	71.6	105.1	138.6	172.1	205.6	239.1	272.6	306.1	339.6	373.1

DIM.	A
63/8"	47.66
61/2"	49.32



Direct solenoid and solenoid pilot operated valves

OPTIONS FOR NON PLUG-IN VALVES

Valve function

93A-**LXX**-XXX-XX-D**xxx-xxx**

- L** for single operator, single pressure with memory spring
- N** for single operator, dual pressure with memory spring
- R** for single operator universal spool (ext. pilot only)
- S** for double operator universal spool (ext. pilot only)

Pilot exhaust

93A-X**BX**-XXX-XX-D**xxx-xxx**

- B** standard pilot exhaust
- D** pilot exhaust to main valve exhaust*

Port configuration :

Individual sub-base

93A-XXX-X**AX**-XX-D**xxx-xxx**

- A** side ports (3/8" & 1/2" only)
- B** bottom ports (1/4" & 3/8" only)
- C** side & bottom ports (1/4" & 3/8" only)
- D** side inlet & exhaust with bottom cylinder ports (1/4" & 3/8" only)

Manifold sub-base

93A-XXX-X**JX**-XX-D**xxx-xxx**

- J** side ports
- K** bottom ports

Pilot style :

93A-XXX-XXX-**DM**-D**xxx-xxx**

- DM** pilot exhaust muffled
- DP** pilot exhaust piped (#10-32)
- DU** pilot exhaust to main exhaust

Base only :

93A-000-XXX (i.e. 93A-000-DBG) - Individual base

93A-000-XXX (i.e. 93A-000-EJG) - Manifold base

* Must use DU pilot. Main valve exhaust cannot be restricted.

31
33
34
36
32
37
38
52
53
54
67
68
69
41
43
44
23
24
46
42
47
48P
48
400
92
83
93
ISO 01
ISO 02
ISO 1
ISO 2
ISO 3



Direct solenoid and solenoid pilot operated valves

OPTIONS FOR PLUG-IN VALVES

Valve function

93A-**LXX**-XXX-XX-D**xx**P-**xxx**

- L** for single operator, single pressure with memory spring
- N** for single operator, dual pressure with memory spring
- R** for single operator universal spool (ext. pilot only)
- S** for double operator universal spool (ext. pilot only)

Pilot exhaust

93A-**XAX**-XXX-XX-D**xx**P-**xxx**

- A** standard pilot exhaust
- C** pilot exhaust to main valve exhaust*

Body electrical

92B-**XXA**-XXX-XX-D**xx**P-**xxx**

- A** no light
- B** light(s)

Port configuration :

Individual sub-base

93A-XXX-**XAX**-XX-D**xx**P-**xxx**

- A** side ports (3/8" & 1/2" only)
- B** bottom ports (1/4" & 3/8" only)
- C** side & bottom ports (1/4" & 3/8" only)
- D** side inlet & exhaust with bottom cylinder ports (1/4" & 3/8" only)

Manifold sub-base

93A-XXX-**XJX**-XX-D**xx**P-**xxx**

- J** side ports
- K** bottom ports

Base/manifold int./ext. pilot

93A-XXX-**XXA**-XX-D**xx**P-**xxx**

- A** internal pilot no light
- B** internal pilot single light
- C** internal pilot double light
- D** external pilot no light
- E** external pilot single light
- F** external pilot double light

Pilot style :

93A-XXX-XXX-**DM**-D**xx**P-**xxx**

- DM** pilot exhaust muffled
- DP** pilot exhaust piped (#10-32)
- DU** pilot exhaust to main exhaust

Base only :

93A-000-XXX (i.e. 93A-000-DBA) - Individual base
(Note: bases are wired for double solenoid valves)

93A-000-XXX (i.e. 93A-000-DJA) - Manifold base

* Must use DU pilot. Main valve exhaust cannot be restricted.

Individual mounting

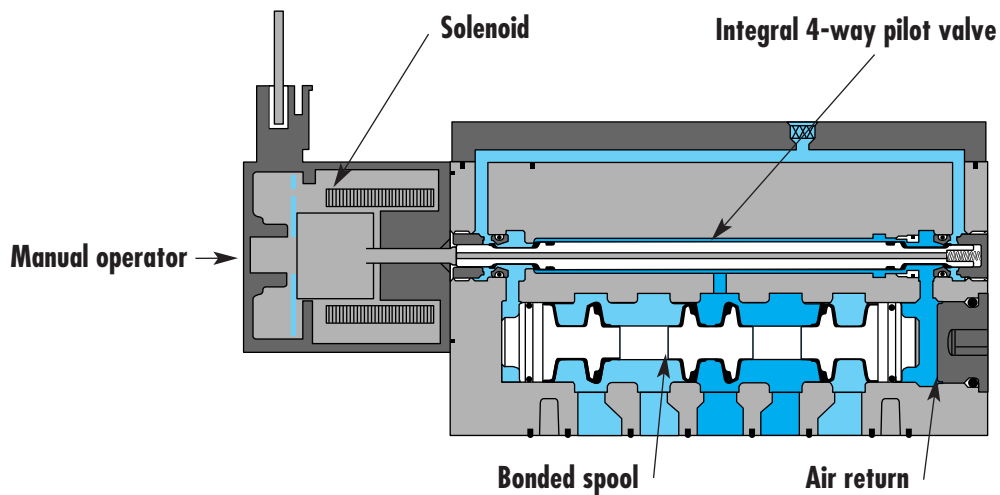
Valve only – No base not “plug-in” Conform to ISO 15407/1	Valve only – No base plug-in Conform to ISO 15407/2
---	---

Manifold mounting

Valve only – No base not “plug-in” Conform to ISO 15407/1	Valve only – No base plug-in Conform to ISO 15407/2
---	---

Series

31
 33
 34
 36
 32
 37
 38
 52
 53
 54
 67
 68
 69
 41
 43
 44
 23
 24
 46
 42
 47
 48P
 48
 400
 92
 83
 93
ISO 01
 ISO 02
 ISO 1
 ISO 2
 ISO 3



SERIES FEATURES

- High force MACSOLENOID®.
- Integral 4-way pilot design.
- 2-position, single or double operator.
- 3-position, double solenoid, open centre, closed centre and pressure centre.
- Internal or external pilot.
- Single or dual pressure.

Function	Port size	Flow [Max]	Individual/Manifold mounting	Series
5/2, 5/3	G1/4"	1000 NI/min	Valve only – No base non "plug-in" Conform to ISO 15407/1	

OPERATIONAL BENEFITS

1. Unique patented MACsolenoid® with oval shaped armature for fastest possible response times.
2. Balanced poppet 5-way pilot valve provides maximum shifting forces, precise repeatability and consistent operation.
3. MAC spool and bore combination wipes away contamination, eliminates sticking and allows for use on non-lube service.
4. Large spool area for maximum shifting forces even at minimum operating pressure.
5. Very high flow in a compact package. Pilot valve and main valve in the same body.
6. Internal or external pilot operation.
7. Air only return
8. Optional low wattage DC solenoid down to 1.0 Watt.



HOW TO ORDER

SINGLE PRESSURE MODELS

Pilot air	5/2 Single operator	5/2 Double operator	5/3 Closed centre	5/3 Open centre
Internal	MV-A01A-AAAMA-Jxxx-xxx	MV-A01A-ABMA-Jxxx-xxx	MV-A01A-AEMA-Jxxx-xxx	MV-A01A-AFMA-Jxxx-xxx
External "12" end	MV-A01A-AAAMD-Jxxx-xxx	MV-A01A-ABMD-Jxxx-xxx	MV-A01A-AEMD-Jxxx-xxx	MV-A01A-AFMD-Jxxx-xxx
External "14" end	MV-A01A-AAAME-Jxxx-xxx	MV-A01A-ABME-Jxxx-xxx	MV-A01A-AEME-Jxxx-xxx	MV-A01A-AFME-Jxxx-xxx

DUAL PRESSURE MODELS

Pilot air	5/2 Single operator	5/2 Double operator	5/3 Pressure centre
Internal from port #3	MV-A01A-ACMB-Jxxx-xxx	MV-A01A-ADMB-Jxxx-xxx	MV-A01A-AHMB-Jxxx-xxx
Internal from port #5	MV-A01A-ACMC-Jxxx-xxx	MV-A01A-ADMC-Jxxx-xxx	MV-A01A-AHMC-Jxxx-xxx
External from "12" end	MV-A01A-ACMD-Jxxx-xxx	MV-A01A-ADMD-Jxxx-xxx	MV-A01A-AHMD-Jxxx-xxx
External from "14" end	MV-A01A-ACME-Jxxx-xxx	MV-A01A-ADME-Jxxx-xxx	MV-A01A-AHME-Jxxx-xxx

SOLENOID OPERATOR >

J XXX-XXX*

XX Voltage	X Lead wire length	X Manual operator	XX Electrical connection
DA 24V=/5,4W	0 No lead wire/ connector	1 Non-locking	BA Flying leads
DB 12V=/5,4W	A 45 cm	2 Locking	JA Square connector
DC 24V=/2,4W	B 60 cm		JC Square connector with light
DD 12V=/2,4W	C 90 cm		JB Rectangular connector
DE 24V=/1,8W			JD Rectangular connector with light
DU 24V=/1,0W			KA Mini square connector
			KD Mini square connector with light

* Other options available, see page 393.

Note: - ISO series, valve and base are ordered separately, see page 299 for base codes.
 - If sandwich regulator is required, valve must be ordered as external pilot. For internal pilot regulator use valve with external pilot 12 end valve - for external pilot regulator, use valve with external pilot 12 or 14 end.

OPTIONS

Pilot exhaust: MV-A01A-XX X X-Jxxx-xxx

- M** Pilot exhaust muffled
- R** Pilot exhaust piped M5
- U** Pilot exhaust out main exhaust

31
33
34
36
32
37
38
52
53
54
67
68
69
41
43
44
23
24
46
42
47
48P
48
400
92
83
93
ISO 01
ISO 02
ISO 1
ISO 2
ISO 3

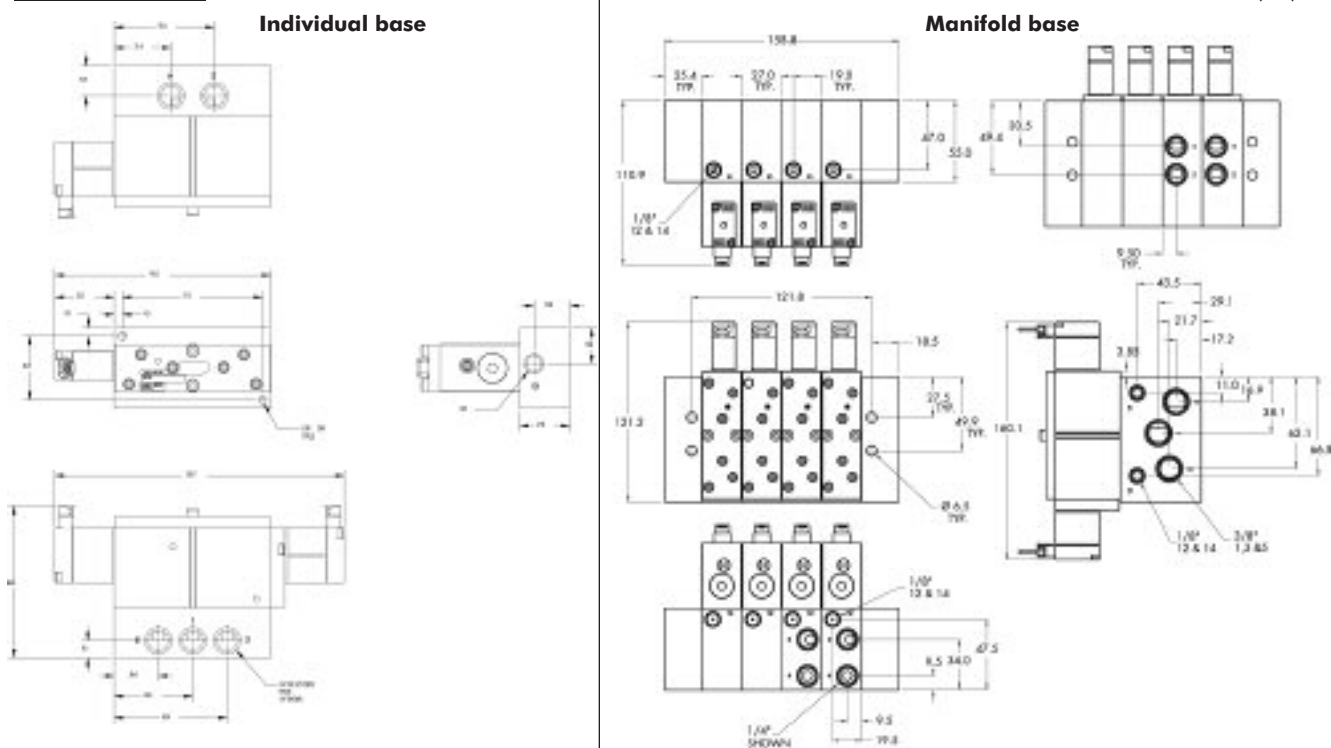
TECHNICAL DATA

Fluid :	Compressed air, vacuum, inert gases
Pressure range :	Internal pilot – 2 pos.: 1,4 to 8 bar 3 pos.: 2,3 to 8 bar External pilot – Vacuum to 8 bar
Pilot pressure :	2 pos.: 1,4 to 8 bar – 3 pos.: 2,3 to 8 bar
Lubrication :	Not required, if used select a medium aniline point lubricant (between 80°C and 100°C)
Filtration :	40 µ
Temperature range :	-18°C to +50°C
Orifice :	6 mm
Flow (at 6 bar, ΔP=1bar) :	2 pos.: 1000 NI/min (Cv 1.0) – 3 pos.: 800 NI/min (Cv 0.8)
Coil :	Epoxy encapsulated – Class F wires - 100% ED
Voltage range :	-15% to +10% of nominal voltage
Power :	1,0 to 5,4 W

- Options :
- Sandwich flow controls: FCA01A-AA (screwdriver slot adjustment).
 - Sandwich pressure regulator, see 'Regulators' section

DIMENSIONS

Dimensions shown are metric (mm)





Direct solenoid and solenoid pilot operated valves

Function	Port size	Flow [Max]	Individual/Manifold mounting	Series
5/2, 5/3	G1/4"	1000 NI/min	Valve only No base Plug-in Conform to ISO 15407/2	

OPERATIONAL BENEFITS

1. Unique patented MACsolenoid® with oval shaped armature for fastest possible response times.
2. Balanced poppet 5-way pilot provides maximum shifting forces, precise repeatability and consistent operation.
3. MAC spool and bore combination wipes away contamination, eliminates sticking and allows for use on non-lube service
4. Large spool area for maximum shifting forces, even at minimum operating pressure.
5. Very high flow in a compact package. Pilot valve and main valve in the same body.
6. Internal or external pilot operation.
7. Air only return
8. Valve width: 26 mm.



HOW TO ORDER

SINGLE PRESSURE MODELS

Pilot air	5/2 Single operator	5/2 Double operator	5/3 Closed centre	5/3 Open centre
Internal	MV-P01A-AAAC-RxxP-xxx	MV-P01A-ABCA-RxxP-xxx	MV-P01A-AECA-RxxP-xxx	MV-P01A-AFCA-RxxP-xxx
External "12" end	MV-P01A-AAACD-RxxP-xxx	MV-P01A-ABCD-RxxP-xxx	MV-P01A-AECD-RxxP-xxx	MV-P01A-AFCD-RxxP-xxx
External "14" end	MV-P01A-AAACE-RxxP-xxx	MV-P01A-ABCE-RxxP-xxx	MV-P01A-AECE-RxxP-xxx	MV-P01A-AFCE-RxxP-xxx

DUAL PRESSURE MODELS

Pilot air	5/2 Single operator	5/2 Double operator	5/3 Pressure centre
Internal from port #3	MV-P01A-ACCB-RxxP-xxx	MV-P01A-ADCB-RxxP-xxx	MV-P01A-AHCB-RxxP-xxx
Internal from port #5	MV-P01A-ACCC-RxxP-xxx	MV-P01A-ADCC-RxxP-xxx	MV-P01A-AHCC-RxxP-xxx
External from "12" end	MV-P01A-ACCD-RxxP-xxx	MV-P01A-ADCD-RxxP-xxx	MV-P01A-AHCD-RxxP-xxx
External from "14" end	MV-P01A-ACCE-RxxP-xxx	MV-P01A-ADCE-RxxP-xxx	MV-P01A-AHCE-RxxP-xxx

SOLENOID OPERATOR >

R XXP-XXX **

XX Voltage	X Manual operator	XX Electrical connection
AA* 120 VAC	0 Non operator	PA Base plug-in
AC* 24 VAC	1 Recessed non locking	PB Base plug-in with light
DC 24V=/1.8W	3 Extended non locking	PC Base plug-in with MOV
DD 24V=/2.5W		PD Base plug-in with light & MOV
DE 24V=/3.0W		
DF 24V=/4.0W		
DJ 12V=/1.8W		
DK 12V=/2.5W		
DL 12V=/3.0W		
DM 12V=/4.0W		

* Use either PA or PB connector
Note: ISO series, valve and base are ordered separately, see page 301 for base codes.
** Other options available, see page 401.

OPTIONS

Pilot exhaust: MV-P01A-XX-MVx-RxxP-xxx

- C Pilot exhaust muffled
- R Pilot exhaust piped M5
- U Pilot exhaust out main exhaust

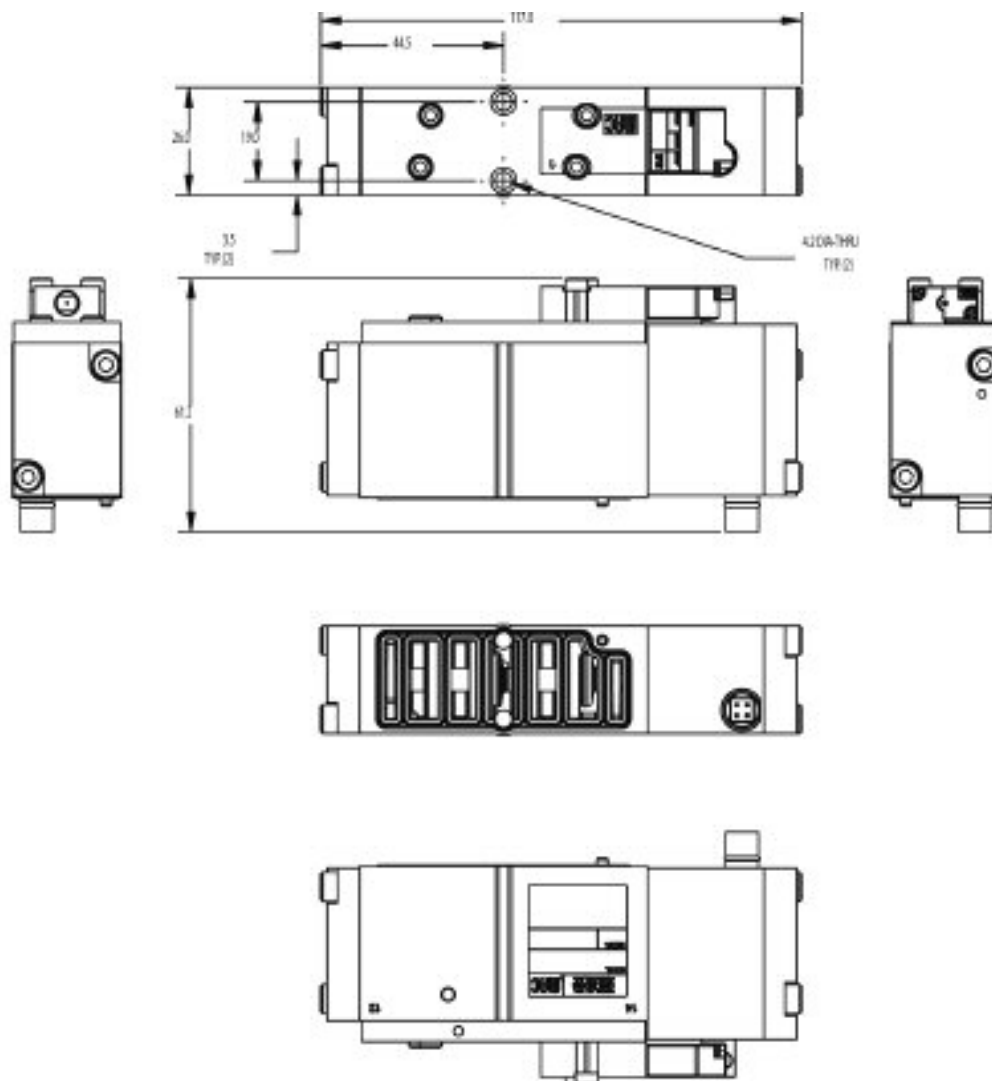
31
33
34
36
32
37
38
52
53
54
67
68
69
41
43
44
23
24
46
42
47
48P
48
400
92
83
93
ISO 01
ISO 02
ISO 1
ISO 2
ISO 3

TECHNICAL DATA

Fluid :	Compressed air, vacuum, inert gases
Pressure range :	Internal pilot – 2 pos.: 1,3 to 8 bar 3 pos.: 2,3 to 8 bar External pilot: vacuum to 8 bar
Pilot pressure :	2 pos.: 1,3 to 8 bar – 3 pos.: 2,3 to 8 bar
Lubrication :	Not required, if used select a medium aniline point lubricant (between 80°C and 100°C)
Filtration :	40 µ
Temperature range :	-18°C to +50°C
Flow (at 6 bar, ΔP=1bar) :	2 pos.: 1000 Nl/min (Cv 1.0) – 3 pos.: 800 Nl/min (Cv.8)
Coil :	Epoxy encapsulated - Class A wires - 100% ED
Voltage range :	-15% to +10%
Power :	1,8 to 5,4 W

DIMENSIONS

Dimensions shown are metric (mm)



Individual mounting

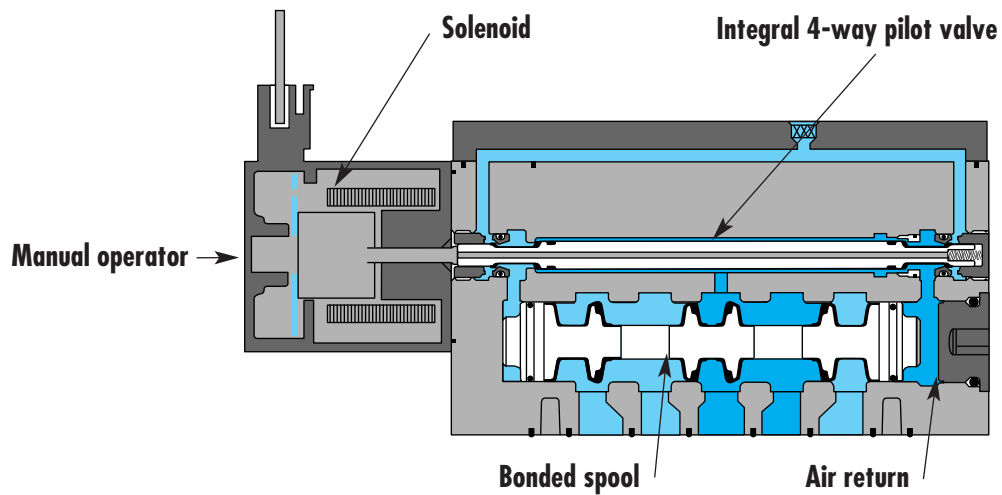
Valve only – No base not “plug-in” Conform to ISO 15407/1	Valve only – No base plug-in Conform to ISO 15407/2
---	---

Manifold mounting

Valve only – No base not “plug-in” Conform to ISO 15407/1	Valve only – No base plug-in Conform to ISO 15407/2
---	---

Series

31
 33
 34
 36
 32
 37
 38
 52
 53
 54
 67
 68
 69
 41
 43
 44
 23
 24
 46
 42
 47
 48P
 48
 400
 92
 83
 93
 ISO 01
 ISO 02
 ISO 1
 ISO 2
 ISO 3



SERIES FEATURES

- High force MACSOLENOID®.
- Integral 4-way pilot design.
- 2-position, single or double operator.
- 3-position, double solenoid, open centre, closed centre and pressure centre.
- Internal or external pilot.
- Single or dual pressure.

Function	Port size	Flow [Max]	Individual/Manifold mounting	Series
5/2, 5/3	G1/8"	430 NI/min	Valve only – No base non "plug-in" Conform to ISO 15407/1	

OPERATIONAL BENEFITS

1. Unique patented MACsolenoid® with oval shaped armature for fastest possible response times.
2. Balanced poppet 5-way pilot valve provides maximum shifting forces, precise repeatability and consistent operation.
3. MAC spool and bore combination wipes away contamination, eliminates sticking and allows for use on non-lube service.
4. Large spool area for maximum shifting forces even at minimum operating pressure.
5. Very high flow in a compact package. Pilot valve and main valve in the same body.
6. Internal or external pilot operation.
7. Air only return
8. Optional low wattage DC solenoid down to 1.0 Watt.
9. Valve width: 18 mm.



HOW TO ORDER

SINGLE PRESSURE MODELS

Pilot air	5/2 Single operator	5/2 Double operator	5/3 Closed centre	5/3 Open centre
Internal	MV-A02A-AAAMA-Jxxx-xxx	MV-A02A-ABMA-Jxxx-xxx	MV-A02A-AEMA-Jxxx-xxx	MV-A02A-AFMA-Jxxx-xxx
External "12" end	MV-A02A-AAAMD-Jxxx-xxx	MV-A02A-ABMD-Jxxx-xxx	MV-A02A-AEMD-Jxxx-xxx	MV-A02A-AFMD-Jxxx-xxx
External "14" end	MV-A02A-AAAME-Jxxx-xxx	MV-A02A-ABME-Jxxx-xxx	MV-A02A-AEME-Jxxx-xxx	MV-A02A-AFME-Jxxx-xxx

DUAL PRESSURE MODELS

Pilot air	5/2 Single operator	5/2 Double operator	5/3 Pressure centre
Internal from port #3	MV-A02A-ACMB-Jxxx-xxx	MV-A02A-ADMB-Jxxx-xxx	MV-A02A-AHMB-Jxxx-xxx
Internal from port #5	MV-A02A-ACMC-Jxxx-xxx	MV-A02A-ADMC-Jxxx-xxx	MV-A02A-AHMC-Jxxx-xxx
External from "12" end	MV-A02A-ACMD-Jxxx-xxx	MV-A02A-ADMD-Jxxx-xxx	MV-A02A-AHMD-Jxxx-xxx
External from "14" end	MV-A02A-ACME-Jxxx-xxx	MV-A02A-ADME-Jxxx-xxx	MV-A02A-AHME-Jxxx-xxx

SOLENOID OPERATOR

J XXX-XXX*

XX Voltage	X Lead wire length	X Manual operator	XX Electrical connection
DA 24V=/5,4W	0 No lead wire/ connector	1 Non-locking	BA Flying leads
DB 12V=/5,4W	A 45 cm	2 Locking	JA Square connector
DC 24V=/2,4W	B 60 cm		JC Square connector with light
DD 12V=/2,4W	C 90 cm		JB Rectangular connector
DE 24V=/1,8W			JD Rectangular connector with light
DU 24V=/1,0W			KA Mini square connector
			KD Mini square connector with light

* Other options available, see page 393.

Note: - ISO series, valve and base are ordered separately, see page 303 for base codes.

- If sandwich regulator is required, valve must be ordered as external pilot. For internal pilot regulator use valve with external pilot 12 end valve - for external pilot regulator, use valve with external pilot 12 or 14 end.

OPTIONS

Pilot exhaust: MV-A02A-XX X X-Jxxx-xxx

- M** Pilot exhaust muffled
- R** Pilot exhaust piped M5
- U** Pilot exhaust out main exhaust

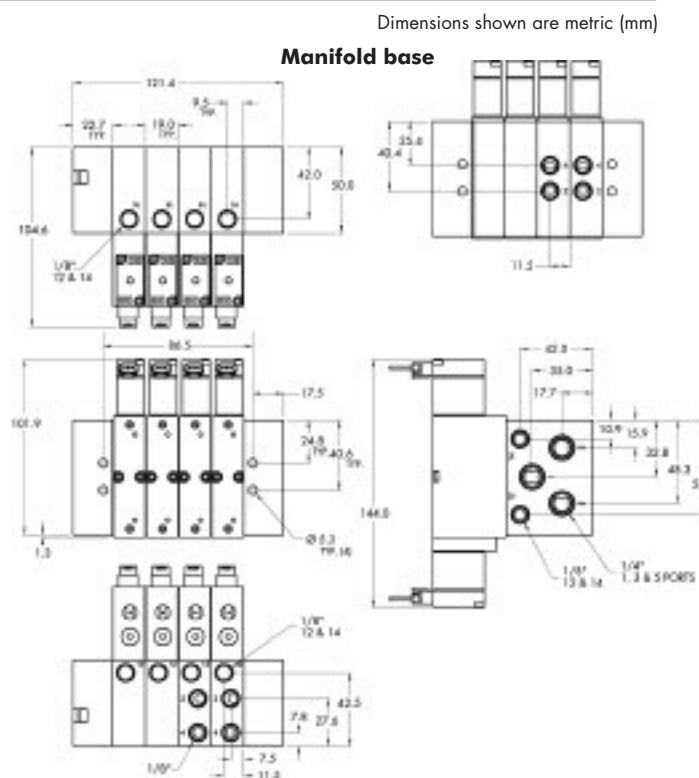
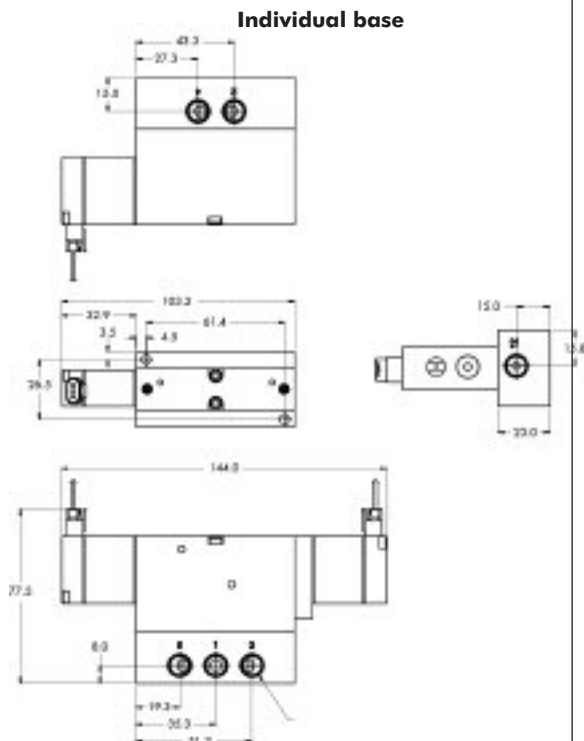
31
33
34
36
32
37
38
52
53
54
67
68
69
41
43
44
23
24
46
42
47
48P
48
400
92
83
93
ISO 01
ISO 02
ISO 1
ISO 2
ISO 3

TECHNICAL DATA

Fluid :	Compressed air, vacuum, inert gases
Pressure range :	Internal pilot – 2 pos.: 1,4 to 8 bar 3 pos.: 2,3 to 8 bar External pilot – Vacuum to 8 bar
Pilot pressure :	2 pos.: 1,4 to 8 bar – 3 pos.: 2,3 to 8 bar
Lubrication :	Not required, if used select a medium aniline point lubricant (between 80°C and 100°C)
Filtration :	40 µ
Temperature range :	-18°C to +50°C
Orifice :	4 mm
Flow (at 6 bar, ΔP=1bar) :	2 pos.: 430 NI/min (Cv 0.43) – 3 pos. 280 NI/min (Cv 0.28)
Coil :	Epoxy encapsulated – Class A wires - 100% ED
Voltage range :	-15% to +10% of nominal voltage
Power :	1,0 to 5,4 W

- Options :
- Sandwich flow controls: FCA02A-AA (screwdriver slot adjustment).
 - Sandwich pressure regulator, see ,Regulators' section

DIMENSIONS





Direct solenoid and solenoid pilot operated valves

Function	Port size	Flow [Max]	Individual/Manifold mounting	Series
5/2, 5/3	G1/8"	510 NI/min	Valve only - No base *plug-in* Conform to ISO 15407/2	

OPERATIONAL BENEFITS

1. Unique patented MACsolenoid® with oval shaped armature for fastest possible response times.
2. Balanced poppet 5-way pilot valve provides maximum shifting forces, precise repeatability and consistent operation.
3. MAC spool and bore combination wipes away contamination, eliminates sticking and allows for use on non-lube service.
4. Large spool area for maximum shifting forces even at minimum operating pressure.
5. Very high flow in a compact package. Pilot valve and main valve in the same body.
6. Internal or external pilot operation.
7. Air only return
8. Valve width: 18 mm.



HOW TO ORDER

SINGLE PRESSURE MODELS

Pilot air	5/2 Single operator	5/2 Double operator	5/3 Closed centre	5/3 Open centre
Internal	MV-P02A-AAAC-RxxP-xxx	MV-P02A-ABCA-RxxP-xxx	MV-P02A-AECA-RxxP-xxx	MV-P02A-AFCA-RxxP-xxx
External "12" end	MV-P02A-AAACD-RxxP-xxx	MV-P02A-ABCD-RxxP-xxx	MV-P02A-AECD-RxxP-xxx	MV-P02A-AFCD-RxxP-xxx
External "14" end	MV-P02A-AAACE-RxxP-xxx	MV-P02A-ABCE-RxxP-xxx	MV-P02A-AECE-RxxP-xxx	MV-P02A-AFCE-RxxP-xxx

DUAL PRESSURE MODELS

Pilot air	5/2 Single operator	5/2 Double operator	5/3 Pressure centre
Internal from port #3	MV-P02A-ACCB-RxxP-xxx	MV-P02A-ADCB-RxxP-xxx	MV-P02A-AHCB-RxxP-xxx
Internal from port #5	MV-P02A-ACCC-RxxP-xxx	MV-P02A-ADCC-RxxP-xxx	MV-P02A-AHCC-RxxP-xxx
External from "12" end	MV-P02A-ACCD-RxxP-xxx	MV-P02A-ADCD-RxxP-xxx	MV-P02A-AHCD-RxxP-xxx
External from "14" end	MV-P02A-ACCE-RxxP-xxx	MV-P02A-ADCE-RxxP-xxx	MV-P02A-AHCE-RxxP-xxx

SOLENOID OPERATOR >

R xxP-xxx **

XX Voltage	X Manual operator	XX Electrical connection
AA* 120 VAC	0 Non operator	PA Base plug-in
AC* 24 VAC	1 Recessed non locking	PB Base plug-in with light
DC 24V=/1.8W	3 Extended non locking	PC Base plug-in with MOV
DD 24V=/2.5W		PD Base plug-in with light & MOV
DE 24V=/3.0W		
DF 24V=/4.0W		
DJ 12V=/1.8W		
DK 12V=/2.5W		
DL 12V=/3.0W		
DM 12V=/4.0W		

* Use either PA or PB connector
Note: ISO series, valve and base are ordered separately, see page 305 for base codes.
** Other options available, see page 401.

OPTIONS

Pilot exhaust: MV-P02A-XXxMVx-RxxP-xxx

- C Pilot exhaust muffled
- R Pilot exhaust piped M5
- U Pilot exhaust out main exhaust

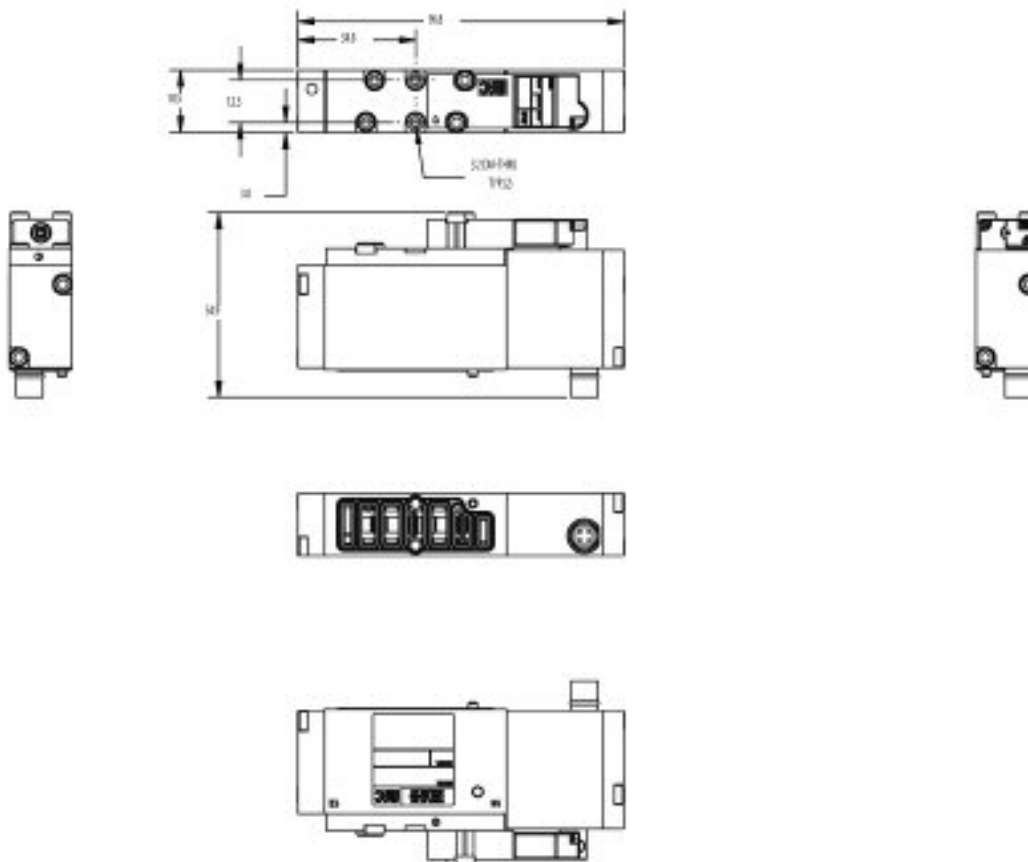
31
33
34
36
32
37
38
52
53
54
67
68
69
41
43
44
23
24
46
42
47
48P
48
400
92
83
93
ISO 01
ISO 02
ISO 1
ISO 2
ISO 3

TECHNICAL DATA

Fluid :	Compressed air, vacuum, inert gases
Pressure range :	Internal pilot – 2 pos.: 1,3 to 8 bar 3 pos.: 2,3 to 8 bar External pilot: vacuum to 8 bar
Pilot pressure :	2 pos.: 1,3 to 8 bar – 3 pos.:2,3 to 8 bar
Lubrication :	Not required, if used select a medium aniline point lubricant (between 80°C and 100°C)
Filtration :	40 µ
Temperature range :	-18°C to +50°C
Flow (at 6 bar, ΔP=1bar) :	2 pos.: 510 NI/min (Cv .51) – 3 pos.: 350 NI/min (Cv .35)
Coil :	Epoxy encapsulated - Class A wires - 100% ED
Voltage range :	-15% to +10%
Power :	1,8 to 5,4 W

DIMENSIONS

Dimensions shown are metric (mm)



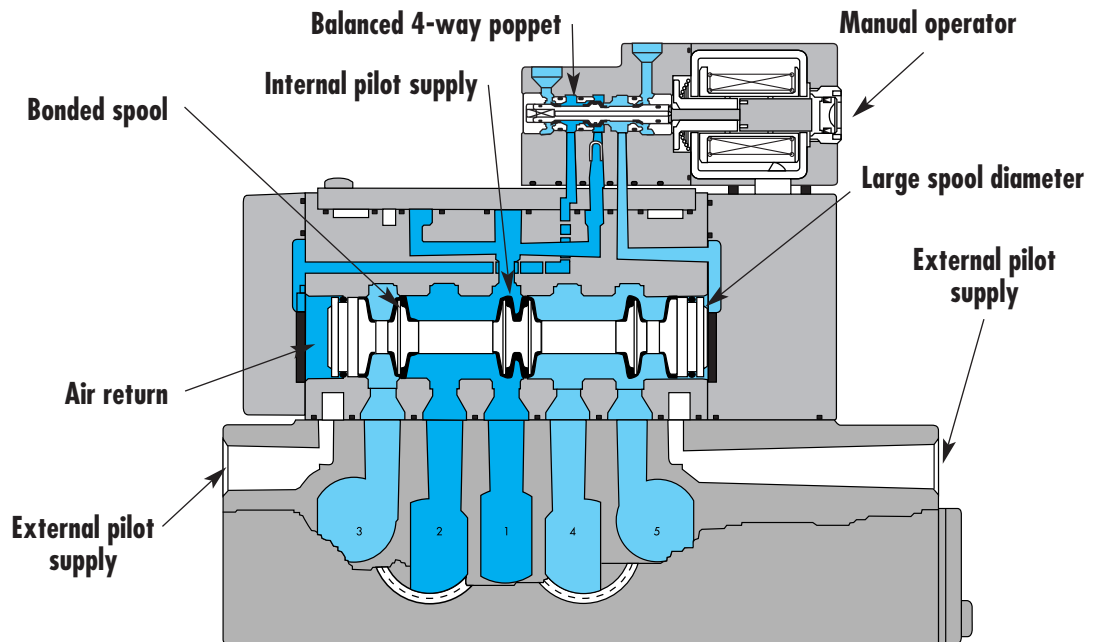
Individual mounting

Valve only – No base non “plug-in” Conform to ISO 5599/1	Valve only – No base “plug-in” Conform to ISO 5599/2
--	--

Series

Manifold mounting

Valve only – No base non “plug-in” Conform to ISO 5599/1	Valve only – No base “plug-in” Conform to ISO 5599/2
--	--



SERIES FEATURES

- Plug-in (5599/2) and non plug-in (5599/1) models.
- 2-position, single or double operator. (Solenoid or Remote Air)
- 3-position, double solenoid, open center, closed center, and pressure center.
- Extended or recessed manual operators.
- Single pressure and dual pressure.
- Individual base or add-a-unit manifold base.
- Plug-in, sandwich, single and dual pressure regulators for both individual and manifold valves.

31
33
34
36
32
37
38
52
53
54
67
68
69
41
43
44
23
24
46
42
47
48P
48
400
92
83
93
ISO 01
ISO 02
ISO 1
ISO 2
ISO 3



Direct solenoid and solenoid pilot operated valves

Function	Port size	Flow [Max]	Individual/Manifold mounting	Series
5/2, 5/3	G1/4" - G3/8"	1800 NI/min	Valve only - No base non "plug-in" Conform to ISO 5599/1	

OPERATIONAL BENEFITS

1. Unique patented Macsolenoid® for fastest possible response times and virtually burn-out proof AC solenoid operation.
2. Balanced poppet 4-way pilot valve provides maximum shifting forces, precise repeatability and consistent operation.
3. MAC spool and bore combination wipes away contamination, eliminates sticking and allows for use on non-lube service.
4. Large spool area for maximum shifting forces even at minimum operating pressure.
5. Very high flow in a compact package.
6. Plug-in design of valves, bases and regulators for modular assembly and ease of maintenance.
7. Internal or external pilot operation. Manifolds supplied with common external pilot.
8. Air only return. Optional memory spring is also available.
9. Optional low wattage DC solenoid down to 1.0 watt.



HOW TO ORDER

SINGLE PRESSURE MODELS

Pilot air	5/2 Single operator	5/2 Double operator	5/3 Closed centre	5/3 Open centre
Internal	MV-B1A-AAAA-DM-Dxxx-xxx	MV-B1A-ABAA-DM-Dxxx-xxx	MV-B1A-AEAA-DM-Dxxx-xxx	MV-B1A-AFAA-DM-Dxxx-xxx
External "12" end	MV-B1A-AAAB-DM-Dxxx-xxx	MV-B1A-ABAB-DM-Dxxx-xxx	MV-B1A-AEAB-DM-Dxxx-xxx	MV-B1A-AFAB-DM-Dxxx-xxx

DUAL PRESSURE MODELS

Pilot air	5/2 Single operator	5/2 Double operator	5/3 Pressure centre
Internal From port #3	MV-B1A-ACAD-DM-Dxxx-xxx	MV-B1A-ADAD-DM-Dxxx-xxx	MV-B1A-AGAD-DM-Dxxx-xxx
Internal From port #5	MV-B1A-ACAE-DM-Dxxx-xxx	MV-B1A-ADAE-DM-Dxxx-xxx	MV-B1A-AGAE-DM-Dxxx-xxx
External From "12" end	MV-B1A-ACAB-DM-Dxxx-xxx	MV-B1A-ADAB-DM-Dxxx-xxx	MV-B1A-AGAB-DM-Dxxx-xxx

SOLENOID OPERATOR >

DM-D **XXX-XXX***

XX Voltage	X Lead wire length	X Manual operator	XX Electrical connection
JA 110 V~/50Hz	A 45 cm	1 Non-locking	KA Square connector
JB 220 V~/50Hz	B 60 cm	2 Locking	KD Square connector with light
JC 24 V~/50Hz	J Connector		JB Rectangular connector
FB 24 V~/1,8W			JD Rectangular connector with light
DA 24 V~/5,4W			BA Flying leads
DF 24 V~/12,7W			

* Other options available, see page 385.
Note: ISO series, valve and base are ordered separately, see page 307 for base code.

OPTIONS

Valve function :

MV-B1A-**A**XXX-**XX**-Dxxx-xxx

- J** for single operator universal spool (ext. pilot only)
- K** for double operator universal spool (ext. pilot only)

Pilot style :

MV-B1A-**A**XXX-**DM**-Dxxx-xxx

- DM** Pilot exhaust muffled
- DP** Pilot exhaust piped (#10-32)

Spool return :

MV-B1A-**A****X**A**X**-**XX**-Dxxx-xxx

- A** Standard return
- B** Memory spring return
- C** Standard return with light
- D** Memory spring return with light

31
33
34
36
32
37
38
52
53
54
67
68
69
41
43
44
23
24
46
42
47
48P
48
400
92
83
93
ISO 01
ISO 02
ISO 1
ISO 2
ISO 3

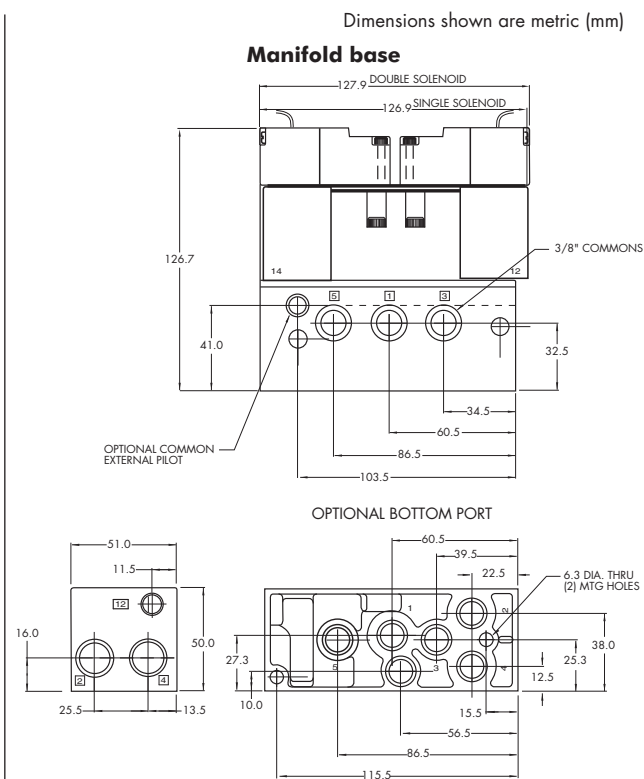
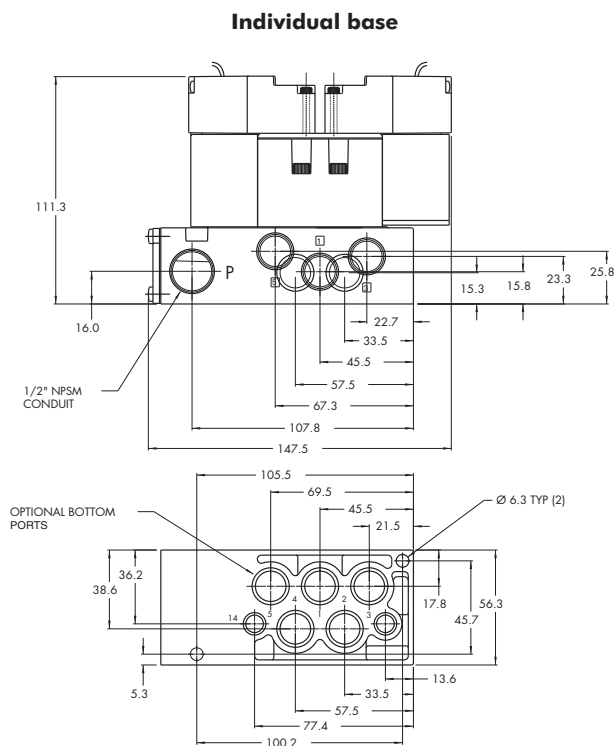
TECHNICAL DATA

Fluid :	Compressed air, vacuum, inert gases
Pressure range :	Vacuum to 8 bar
Pilot pressure :	Single / double operator : 1,3 to 8 bar 3 positions : 2 to 8 bar
Lubrication :	Not required, if used select a medium aniline point lubricant (between 80°C and 100°C)
Filtration :	40 µ
Temperature range :	-18°C to +50°C
Orifice :	7.8 mm
Flow (at 6 bar, ΔP=1bar) :	3/8": 1800 NI/min (Cv 1.8) – 1/4": 1600 NI/min (Cv 1.6)
Coil :	Epoxy encapsulated – Class A wires - 100% ED
Voltage range :	-15% to +10% of nominal voltage
Protection :	IP65 (electrical connection)
Power :	~ Inrush 7,6 VA Holding: 4,8 VA = 1 to 12.7 W
Response times : (with 5,4 W coil)	Energize : 11.3 ms De-energize : 7.8 ms

- Options :
- Sandwich flow controls: FCP1A-BA (screwdriver slot adjustment)
FCP1A-BB (locking knob adjustment)
 - Sandwich regulator, see 'Regulators' section

- Spare parts :
- Pilot valve: DMB-Dxxx-xxx • Valve to base pressure seal: 16661

DIMENSIONS



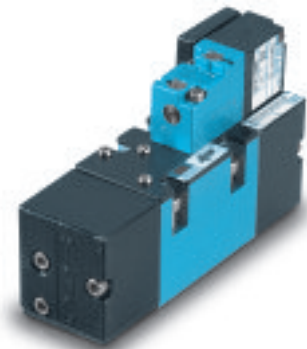


Direct solenoid and solenoid pilot operated valves

Function	Port size	Flow [Max]	Individual/Manifold mounting	Series
5/2, 5/3	G1/4" - G3/8"	1800 NI/min	Valve only - No base *plug-in* Conform to ISO 5599/2	

OPERATIONAL BENEFITS

1. Unique patented Macsolenoid® for fastest possible response times and virtually burn-out proof AC solenoid operation.
2. Balanced poppet 4-way pilot valve provides maximum shifting forces, precise repeatability and consistent operation.
3. MAC spool and bore combination wipes away contamination, eliminates sticking and allows for use on non-lube service.
4. Large spool area for maximum shifting forces even at minimum operating pressure.
5. Very high flow in a compact package.
6. Plug-in design of valves, bases and regulators for modular assembly and ease of maintenance.
7. Internal or external pilot operation. Manifolds supplied with common external pilot.
8. Air only return. Optional memory spring is also available.
9. Optional low wattage DC solenoid down to 1.0 watt.



HOW TO ORDER

SINGLE PRESSURE MODELS

Pilot air	5/2 Single operator	5/2 Double operator	5/3 Closed centre	5/3 Open centre
Internal	MV-P1A-AAAA-DM-DxxP-xxx	MV-P1A-ABAA-DM-DxxP-xxx	MV-P1A-AEAA-DM-DxxP-xxx	MV-P1A-AFAA-DM-DxxP-xxx
External "12" end	MV-P1A-AAAB-DM-DxxP-xxx	MV-P1A-ABAB-DM-DxxP-xxx	MV-P1A-AEAB-DM-DxxP-xxx	MV-P1A-AFAB-DM-DxxP-xxx

DUAL PRESSURE MODELS

Pilot air	5/2 Single operator	5/2 Double operator	5/3 Pressure centre
Internal From port #3	MV-P1A-ACAD-DM-DxxP-xxx	MV-P1A-ADAD-DM-DxxP-xxx	MV-P1A-AGAD-DM-DxxP-xxx
Internal From port #5	MV-P1A-ACAE-DM-DxxP-xxx	MV-P1A-ADAE-DM-DxxP-xxx	MV-P1A-AGAE-DM-DxxP-xxx
External From "12" end	MV-P1A-ACAB-DM-DxxP-xxx	MV-P1A-ADAB-DM-DxxP-xxx	MV-P1A-AGAB-DM-DxxP-xxx

SOLENOID OPERATOR >

DM-D **XX** P-**XXX***

XX Voltage	X Manual operator	XX Electrical connection
JA 110 V~/50Hz	1 Non-locking	DM Plug-in
JB 220 V~/50Hz	2 Locking	DN Plug-in with diode
JC 24 V~/50Hz		DP Plug-in with M.O.V.
FB 24 V=/1,8W		DG Plug-in with ground
DA 24 V=/5,4W		
DF 24 V=/12,7W		

* Other options available, see page 385.
 Note: - ISO series, valve and base are ordered separately, see page 309 for base codes.
 - Ground wire required for 30 volts or higher.

OPTIONS

Valve function :

MV-P1A-A**XXX**-XX-DxxP-xxx

- J** for single operator universal spool (ext. pilot only)
- K** for double operator universal spool (ext. pilot only)

Pilot style :

MV-P1A-A**XXX**-**DM**-DxxP-xxx

- DM** Pilot exhaust muffled
- DP** Pilot exhaust piped (#10-32)

Spool return :

MV-P1A-A**XX**A**X**-XX-DxxP-xxx

- A** Standard return
- B** Memory spring return
- D** Standard return with light
- E** Memory spring return with light

31
33
34
36
32
37
38
52
53
54
67
68
69
41
43
44
23
24
46
42
47
48P
48
400
92
83
93
ISO 01
ISO 02
ISO 1
ISO 2
ISO 3

TECHNICAL DATA

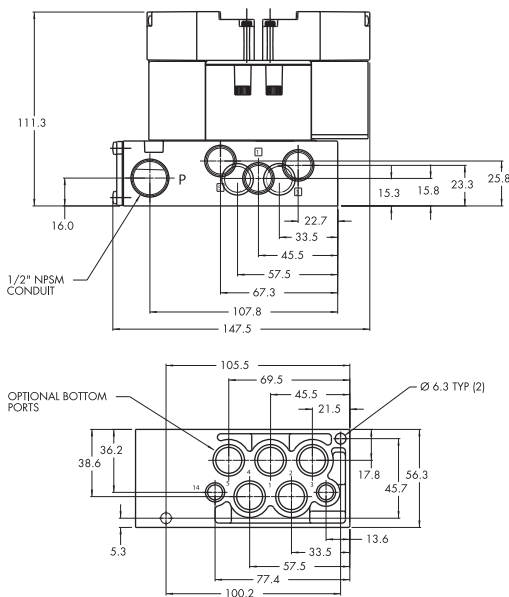
Fluid :	Compressed air, vacuum, inert gases
Pressure range :	Vacuum to 8 bar
Pilot pressure :	Single / double operator : 1,3 to 8 bar 3 positions : 2 to 8 bar
Lubrication :	Not required, if used select a medium aniline point lubricant (between 80°C and 100°C)
Filtration :	40 μ
Temperature range :	-18°C to +50°C
Orifice :	7.8 mm
Flow (at 6 bar, ΔP=1bar) :	3/8": 1800 NI/min (Cv 1.8) – 1/4": 1600 NI/min (Cv 1.6)
Coil :	Epoxy encapsulated – Class A wires - 100% ED
Voltage range :	-15% to +10% of nominal voltage
Protection :	IP65 (electrical connection)
Power :	~ Inrush 7,6 VA Holding: 4,8 VA = 1 to 12.7 W
Response times : (with 5,4 W coil)	Energize : 10 ms De-energize : 9 ms

- Options :
- Sandwich flow controls: FCP1A-AA (screwdriver slot adjustment)
FCP1A-AB (locking knob adjustment)
 - Sandwich regulator, see „Regulators” section

- Spare parts :
- Pilot valve: DMB-DxxP-xxx • Valve to base pressure seal: 16661

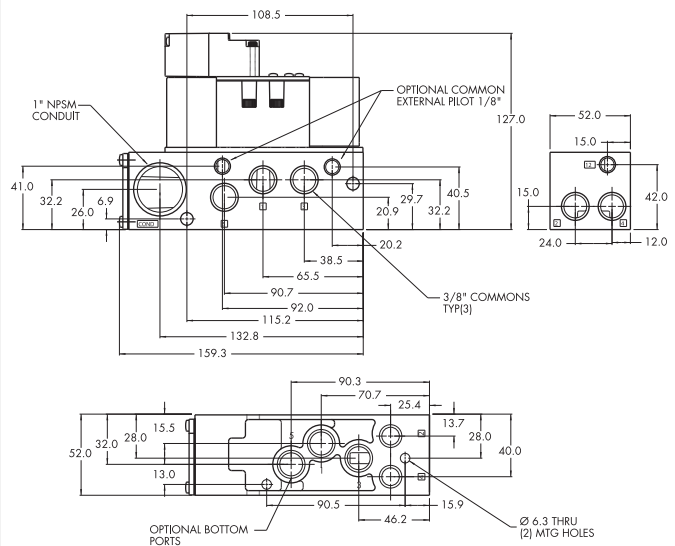
DIMENSIONS

Individual base



Dimensions shown are metric (mm)

Manifold base



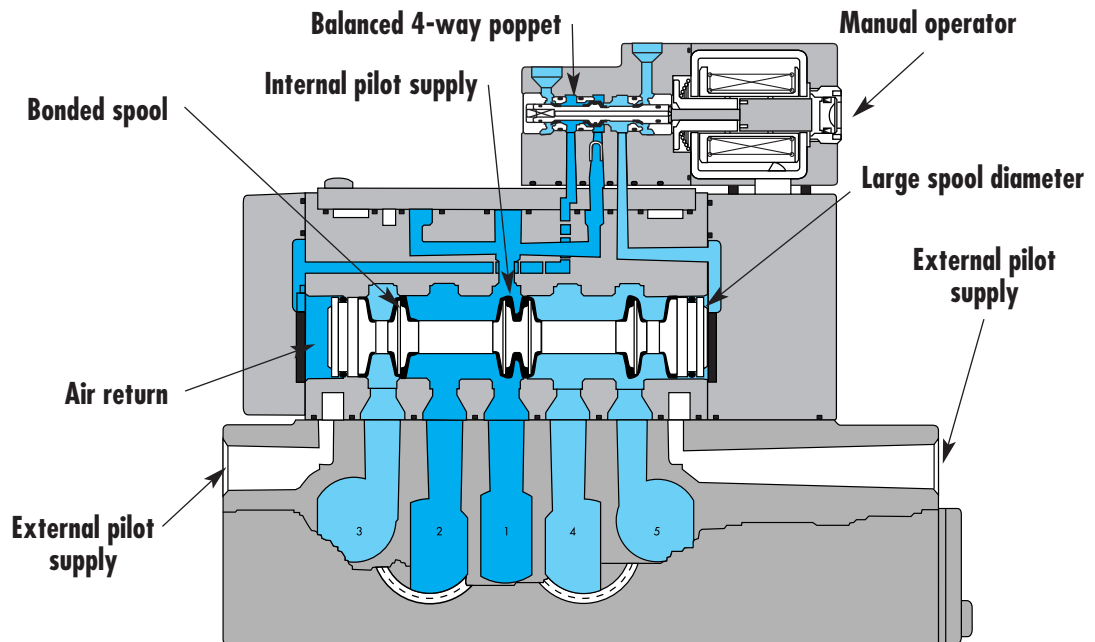
Individual mounting

Valve only – No base non “plug-in” Conform to ISO 5599/1	Valve only – No base “plug-in” Conform to ISO 5599/2
--	--

Series

Manifold mounting

Valve only – No base non “plug-in” Conform to ISO 5599/1	Valve only – No base “plug-in” Conform to ISO 5599/2
--	--



SERIES FEATURES

- Plug-in (5599/2) and non plug-in (5599/1) models.
- 2-position, single or double operator. (Solenoid or Remote Air)
- 3-position, double solenoid, open center, closed center, and pressure center.
- Extended or recessed manual operators.
- Single pressure and dual pressure.
- Individual base or add-a-unit manifold base.
- Plug-in, sandwich, single and dual pressure regulators for both individual and manifold valves.

31
33
34
36
32
37
38
52
53
54
67
68
69
41
43
44
23
24
46
42
47
48P
48
400
92
83
93
ISO 01
ISO 02
ISO 1
ISO 2
ISO 3



Direct solenoid and solenoid pilot operated valves

Function	Port size	Flow [Max]	Individual/Manifold mounting	Series
5/2, 5/3	G3/8" - G1/2"	3000 NI/minn	Valve only - No base non "plug-in" Conform to ISO 5599/1	

OPERATIONAL BENEFITS

1. Unique patented Macsolenoid® for fastest possible response times and virtually burn-out proof AC solenoid operation.
2. Balanced poppet 4-way pilot valve provides maximum shifting forces, precise repeatability and consistent operation.
3. MAC spool and bore combination wipes away contamination, eliminates sticking and allows for use on non-lube service.
4. Large spool area for maximum shifting forces even at minimum operating pressure.
5. Very high flow in a compact package.
6. Plug-in design of valves, bases and regulators for modular assembly and ease of maintenance.
7. Internal or external pilot operation. Manifolds supplied with common external pilot.
8. Air only return. Optional memory spring is also available.
9. Optional low wattage DC solenoid down to 1.0 watt.



HOW TO ORDER

SINGLE PRESSURE MODELS

Pilot air	5/2 Single operator	5/2 Double operator	5/3 Closed centre	5/3 Open centre
Internal	MV-B2A-AAAA-DM-Dxxx-xxx	MV-B2A-ABAA-DM-Dxxx-xxx	MV-B2A-AEAA-DM-Dxxx-xxx	MV-B2A-AFAA-DM-Dxxx-xxx
External "12" end	MV-B2A-AAAB-DM-Dxxx-xxx	MV-B2A-ABAB-DM-Dxxx-xxx	MV-B2A-AEAB-DM-Dxxx-xxx	MV-B2A-AFAB-DM-Dxxx-xxx

DUAL PRESSURE MODELS

Pilot air	5/2 Single operator	5/2 Double operator	5/3 Pressure centre
Internal From port #3	MV-B2A-ACAD-DM-Dxxx-xxx	MV-B2A-ADAD-DM-Dxxx-xxx	MV-B2A-AGAD-DM-Dxxx-xxx
Internal From port #5	MV-B2A-ACAE-DM-Dxxx-xxx	MV-B2A-ADAE-DM-Dxxx-xxx	MV-B2A-AGAE-DM-Dxxx-xxx
External From "12" end	MV-B2A-ACAB-DM-Dxxx-xxx	MV-B2A-ADAB-DM-Dxxx-xxx	MV-B2A-AGAB-DM-Dxxx-xxx

SOLENOID OPERATOR >

DM-D **XXX-XXX***

XX Voltage	X Lead wire length	X Manual operator	XX Electrical connection
JA 110 V~/50Hz	A 45 cm	1 Non-locking	KA Square connector
JB 220 V~/50Hz	B 60 cm	2 Locking	KD Square connector with light
JC 24 V~/50Hz	J Connector		JB Rectangular connector
FB 24 V~/1,8W			JD Rectangular connector with light
DA 24 V~/5,4W			BA Flying leads
DF 24 V~/12,7W			

* Other options available, see page 385.
Note: ISO series, valve and base are ordered separately, see page 311 for base code.

OPTIONS

Valve function :

MV-B2A-**AXX**-XX-Dxxx-xxx

- J** for single operator universal spool (ext. pilot only)
- K** for double operator universal spool (ext. pilot only)

Pilot style :

MV-B2A-AXX-**DM**-Dxxx-xxx

- DM** Pilot exhaust muffled
- DP** Pilot exhaust piped (#10-32)

Spool return :

MV-B2A-AX**AX**-XX-Dxxx-xxx

- A** Standard return
- B** Memory spring return

31
33
34
36
32
37
38
52
53
54
67
68
69
41
43
44
23
24
46
42
47
48P
48
400
92
83
93
ISO 01
ISO 02
ISO 1
ISO 2
ISO 3

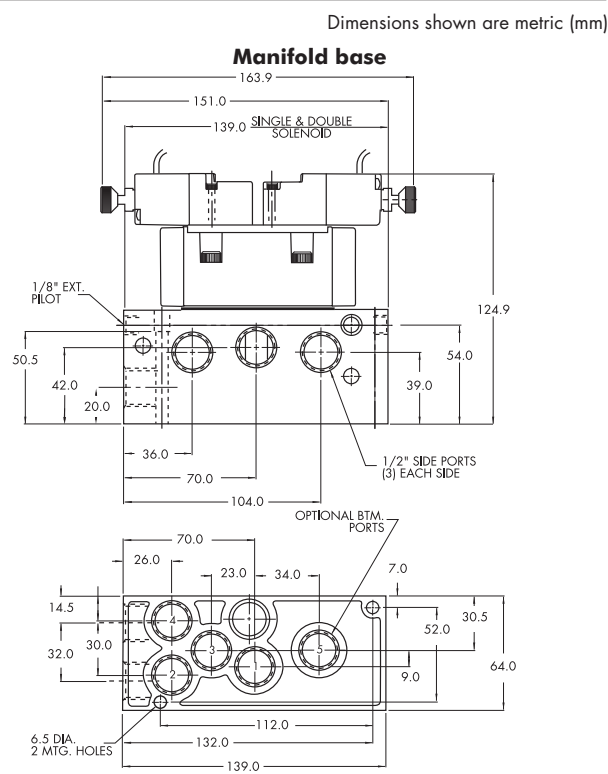
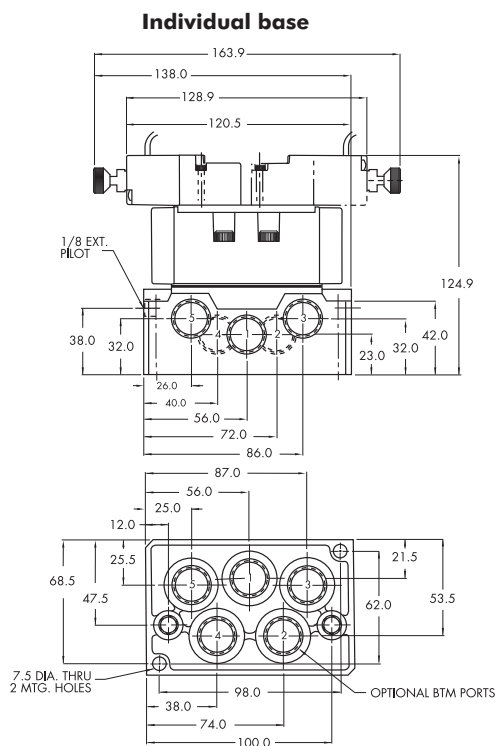
TECHNICAL DATA

Fluid :	Compressed air, vacuum, inert gases
Pressure range :	Internal pilot: 1,3 to 8 bar External pilot : vacuum to 8 bar
Pilot pressure :	Single operator and 3 positions : 1,3 to 8 bar double operator : 2 to 8 bar
Lubrication :	Not required, if used select a medium aniline point lubricant (between 80°C and 100°C)
Filtration :	40 µ
Temperature range :	-18°C to +50°C
Orifice :	10.5 mm
Flow (at 6 bar, ΔP=1bar) :	G3/8": 2800 NI/min (Cv 2.8) - G1/2": 3000 NI/min (Cv 3,0)
Coil :	Epoxy encapsulated – class A wires – 100% ED (specify mod 0449)
Voltage range :	-15% to +10% of nominal voltage
Protection :	IP65 (electrical connection)
Power :	~ Inrush 7,6 VA Holding: 4,8 VA = 12.7 to 1,0 W
Response times :	24 V=/5,4w Energize : 10 ms De-energize : 9.6 ms 110V~/50Hz Energize : 6-15 ms De-energize : 10-17 ms

- Options :
- Sandwich flow controls: FCP2A-BA (screwdriver slot adjustment)
FCP2A-BB (locking knob adjustment)
 - Sandwich regulator, see „Regulators’ section

- Spare parts :
- Pilot valve: DMB-Dxxx-xxx
 - Valve to base pressure seal: 16576
 - Valve mounting screws (x4): 35413

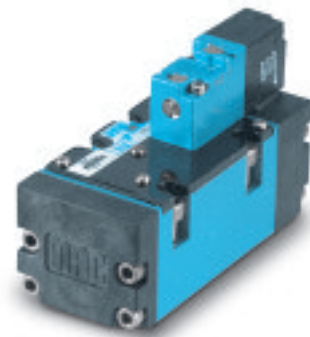
DIMENSIONS



Function	Port size	Flow [Max]	Individual/Manifold mounting	Series
5/2, 5/3	G3/8" - G1/2"	3000 NI/min	Valve only – No base *plug-in* Conform to ISO 5599/2	

OPERATIONAL BENEFITS

1. Unique patented Macsolenoid® for fastest possible response times and virtually burn-out proof AC solenoid operation.
2. Balanced poppet 4-way pilot valve provides maximum shifting forces, precise repeatability and consistent operation.
3. MAC spool and bore combination wipes away contamination, eliminates sticking and allows for use on non-lube service.
4. Large spool area for maximum shifting forces even at minimum operating pressure.
5. Very high flow in a compact package.
6. Plug-in design of valves, bases and regulators for modular assembly and ease of maintenance.
7. Internal or external pilot operation. Manifolds supplied with common external pilot.
8. Air only return. Optional memory spring is also available.
9. Optional low wattage DC solenoid down to 1.0 watt.



HOW TO ORDER

SINGLE PRESSURE MODELS

Pilot air	5/2 Single operator	5/2 Double operator	5/3 Closed centre	5/3 Open centre
Internal	MV-P2A-AAAA-DM-DxxP-xxx	MV-P2A-ABAA-DM-DxxP-xxx	MV-P2A-AEAA-DM-DxxP-xxx	MV-P2A-AFAA-DM-DxxP-xxx
External "1/2" end	MV-P2A-AAAB-DM-DxxP-xxx	MV-P2A-ABAB-DM-DxxP-xxx	MV-P2A-AEAB-DM-DxxP-xxx	MV-P2A-AFAB-DM-DxxP-xxx

DUAL PRESSURE MODELS

Pilot air	5/2 Single operator	5/2 Double operator	5/3 Pressure centre
Internal From port #3	MV-P2A-ACAD-DM-DxxP-xxx	MV-P2A-ADAD-DM-DxxP-xxx	MV-P2A-AGAD-DM-DxxP-xxx
Internal From port #5	MV-P2A-ACAE-DM-DxxP-xxx	MV-P2A-ADAE-DM-DxxP-xxx	MV-P2A-AGAE-DM-DxxP-xxx
External From "1/2" end	MV-P2A-ACAB-DM-DxxP-xxx	MV-P2A-ADAB-DM-DxxP-xxx	MV-P2A-AGAB-DM-DxxP-xxx

SOLENOID OPERATOR >

DM-D XX P-XXX*

XX Voltage	X Manual operator	XX Electrical connection
JA 110 V~/50Hz	1 Non-locking	DM Plug-in
JB 220 V~/50Hz	2 Locking	DN Plug-in with diode
JC 24 V~/50Hz		DP Plug-in with M.O.V.
FB 24 V=/1,8W		DG Plug-in with ground
DA 24 V=/5,4W		
DF 24 V=/12,7W		

* Other options available, see page 385.
 Note: - ISO series, valve and base are ordered separately, see page 313 for base codes.
 - Ground wire required for 30 volts or higher.

OPTIONS

Valve function :

MV-P2A-**A**XX-XX-DxxP-xxx

- J** for single operator universal spool (ext. pilot only)
- K** for double operator universal spool (ext. pilot only)

Pilot style :

MV-P2A-AXX-**DM**-DxxP-xxx

- DM** Pilot exhaust muffled
- DP** Pilot exhaust piped (#10-32)

Spool return :

MV-P2A-AX**A**X-XX-DxxP-xxx

- A** Standard return
- B** Memory spring return
- D** Standard return with light
- E** Memory spring return with light

31
33
34
36
32
37
38
52
53
54
67
68
69
41
43
44
23
24
46
42
47
48P
48
400
92
83
93
ISO 01
ISO 02
ISO 1
ISO 2
ISO 3

TECHNICAL DATA

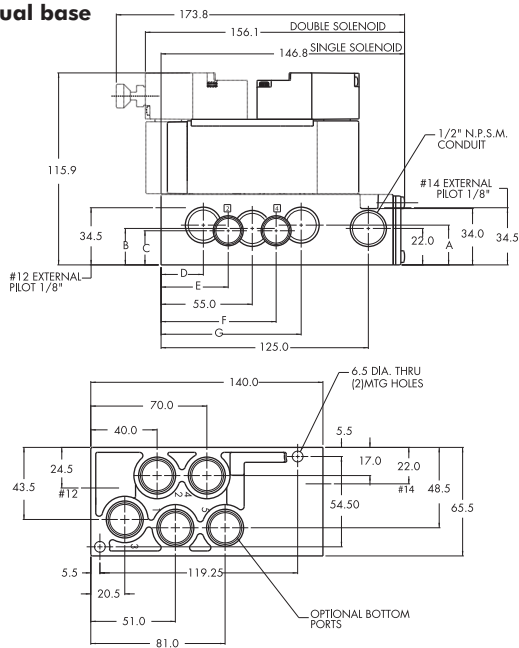
Fluid :	Compressed air, vacuum, inert gases
Pressure range :	Internal pilot: 1,3 to 8 bar External pilot : vacuum to 8 bar
Pilot pressure :	Single operator and 3 positions : 1,3 to 8 bar double operator : 2 to 8 bar
Lubrication :	Not required, if used select a medium aniline point lubricant (between 80°C and 100°C)
Filtration :	40 µ
Temperature range :	-18°C to +50°C
Orifice :	10.5 mm
Flow (at 6 bar, ΔP=1bar) :	G3/8": 2800 NI/min (Cv 2.8) - G1/2": 3000 NI/min (Cv 3,0)
Coil :	Epoxy encapsulated – class A wires – 100% ED (specify mod 0449)
Voltage range :	-15% to +10% of nominal voltage
Protection :	IP65 (electrical connection)
Power :	~ Inrush 14,8 VA Holding: 4,8 VA = 12.7 to 1,0 W
Response times :	24 V=5,4w Energize : 10 ms De-energize : 9.6 ms 110V~/50Hz Energize : 6-15 ms De-energize : 10-17 ms

- Options :
- Sandwich flow controls: FCP2A-AA (screwdriver slot adjustment)
FCP2A-AB (locking knob adjustment)
 - Sandwich regulator, see „Regulators” section

- Spare parts :
- Pilot valve: DMB-DxxP-xxx
 - Valve to base pressure seal: 16576
 - Valve mounting screws (x4): 35413

DIMENSIONS

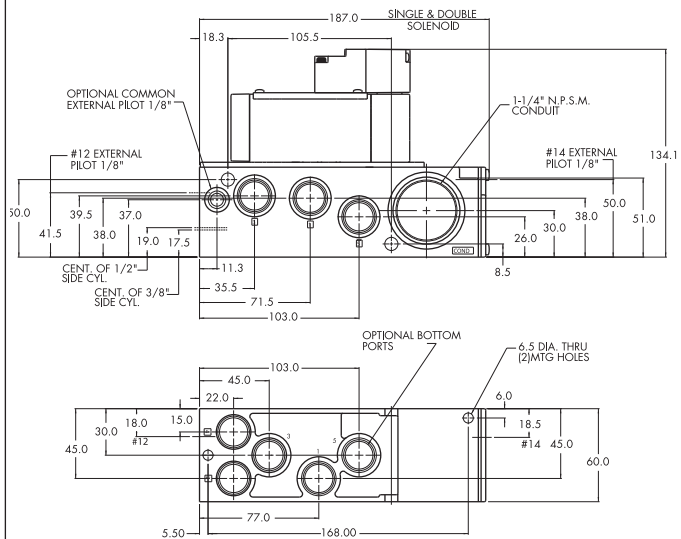
Individual base



DIM.	A	B	C	D	E	F	G
G3/8"	25.2	22.7	20.6	26.7	40.5	69.4	83.3
G1/2"	24.0	21.0	19.0	25.5	40.0	70.0	84.5

Dimensions shown are metric (mm)

Manifold base



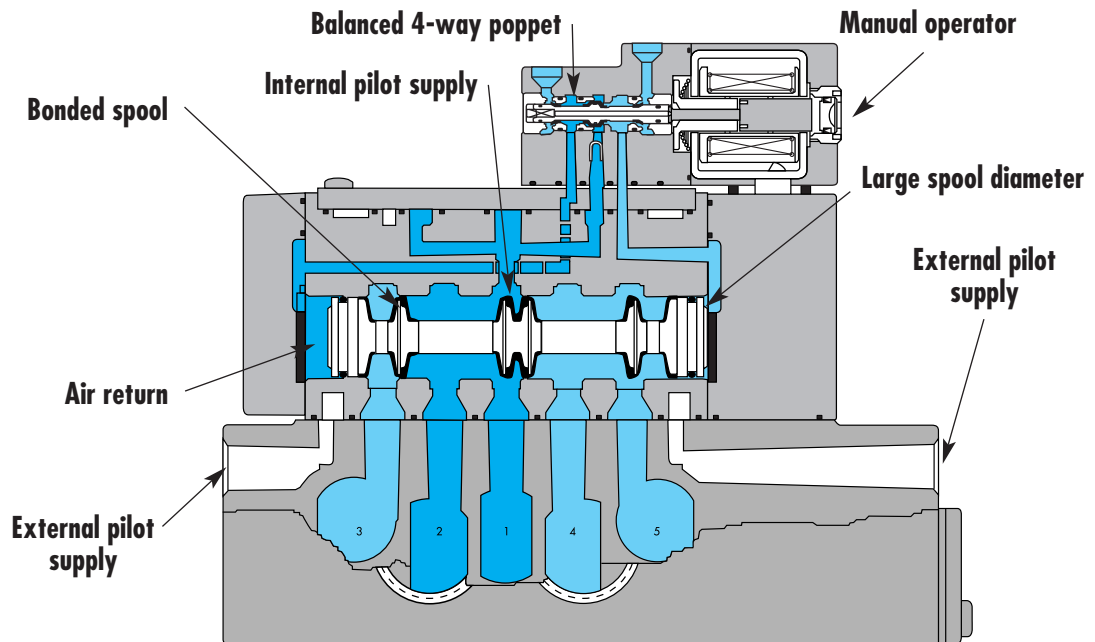
Individual mounting

Valve only – No base non “plug-in” Conform to ISO 5599/1	Valve only – No base “plug-in” Conform to ISO 5599/2
--	--

Series

Manifold mounting

Valve only – No base non “plug-in” Conform to ISO 5599/1	Valve only – No base “plug-in” Conform to ISO 5599/2
--	--



SERIES FEATURES

- Plug-in (5599/2) and non plug-in (5599/1) models.
- 2-position, single or double operator. (Solenoid or Remote Air)
- 3-position, double solenoid, open center, closed center, and pressure center.
- Extended or recessed manual operators.
- Single pressure and dual pressure.
- Individual base or add-a-unit manifold base.
- Plug-in, sandwich, single and dual pressure regulators for both individual and manifold valves.

31
33
34
36
32
37
38
52
53
54
67
68
69
41
43
44
23
24
46
42
47
48P
48
400
92
83
93
ISO 01
ISO 02
ISO 1
ISO 2
ISO 3



Direct solenoid and solenoid pilot operated valves

Function	Port size	Flow [Max]	Individual/Manifold mounting	Series
5/2, 5/3	G1/2" - G3/4"	6100 NI/min	Valve only - No base "non plug-in" Conform to ISO 5599/1	

OPERATIONAL BENEFITS

1. Unique patented Macsolenoid® for fastest possible response times and virtually burn-out proof AC solenoid operation.
2. Balanced poppet 4-way pilot valve provides maximum shifting forces, precise repeatability and consistent operation.
3. MAC spool and bore combination wipes away contamination, eliminates sticking and allows for use on non-lube service.
4. Large spool area for maximum shifting forces even at minimum operating pressure.
5. Very high flow in a compact package.
6. Plug-in design of valves, bases and regulators for modular assembly and ease of maintenance.
7. Internal or external pilot operation. Manifolds supplied with common external pilot.
8. Air only return. Optional memory spring is also available.
9. Optional low wattage DC solenoid down to 1.0 watt.



HOW TO ORDER

SINGLE PRESSURE MODELS

Pilot air	5/2 Single operator	5/2 Double operator	5/3 Closed centre	5/3 Open centre
Internal	MV-B3A-AAAA-DM-Dxxx-xxx	MV-B3A-ABAA-DM-Dxxx-xxx	MV-B3A-AEAA-DM-Dxxx-xxx	MV-B3A-AFAA-DM-Dxxx-xxx
External "12" end	MV-B3A-AAAB-DM-Dxxx-xxx	MV-B3A-ABAB-DM-Dxxx-xxx	MV-B3A-AEAB-DM-Dxxx-xxx	MV-B3A-AFAB-DM-Dxxx-xxx

DUAL PRESSURE MODELS

Pilot air	5/2 Single operator	5/2 Double operator	5/3 Pressure centre
Internal From port #3	MV-B3A-ACAD-DM-Dxxx-xxx	MV-B3A-ADAD-DM-Dxxx-xxx	MV-B3A-AGAD-DM-Dxxx-xxx
Internal From port #5	MV-B3A-ACAE-DM-Dxxx-xxx	MV-B3A-ADAE-DM-Dxxx-xxx	MV-B3A-AGAE-DM-Dxxx-xxx
External From "12" end	MV-B3A-ACAB-DM-Dxxx-xxx	MV-B3A-ADAB-DM-Dxxx-xxx	MV-B3A-AGAB-DM-Dxxx-xxx

SOLENOID OPERATOR >

DM-D XXX-XXX*

XX Voltage	X Lead wire length	X Manual operator	XX Electrical connection
JA 110 V~/50Hz	A 45 cm	1 Non-locking	KA Square connector
JB 220 V~/50Hz	B 60 cm	2 Locking	KD Square connector with light
JC 24 V~/50Hz	J Connector		JB Rectangular connector
FB 24 V~/1,8W			JD Rectangular connector with light
DA 24 V~/5,4W			BA Flying leads
DF 24 V~/12,7W			

* Other options available, see page 385.
Note: ISO series, valve and base are ordered separately, see page 315 for base code.

OPTIONS

Valve function :

MV-B3A-**A**XXX-**XX**-Dxxx-xxx

- J** for single operator universal spool (ext. pilot only)
- K** for double operator universal spool (ext. pilot only)

Pilot style :

MV-B3A-**A**XXX-**DM**-Dxxx-xxx

- DM** Pilot exhaust muffled
- DP** Pilot exhaust piped (#10-32)

Spool return :

MV-B3A-**AX**A-**XX**-Dxxx-xxx

- A** Standard return
- B** Memory spring return

31
33
34
36
32
37
38
52
53
54
67
68
69
41
43
44
23
24
46
42
47
48P
48
400
92
83
93
ISO 01
ISO 02
ISO 1
ISO 2
ISO 3

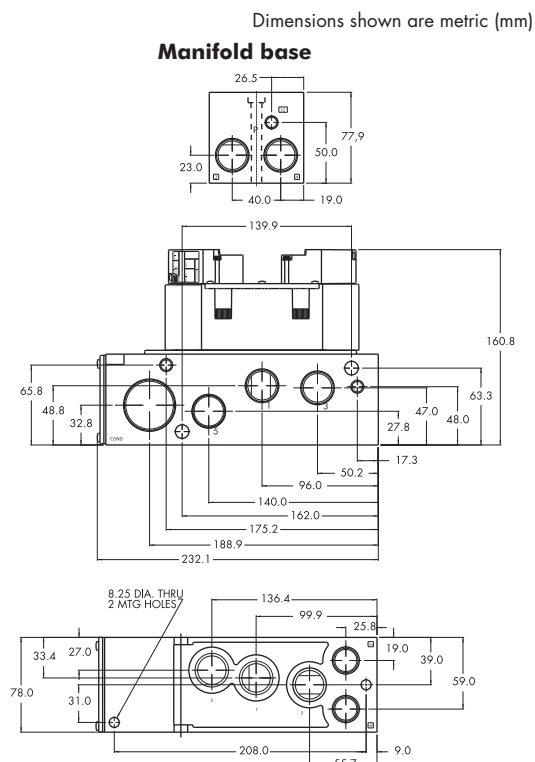
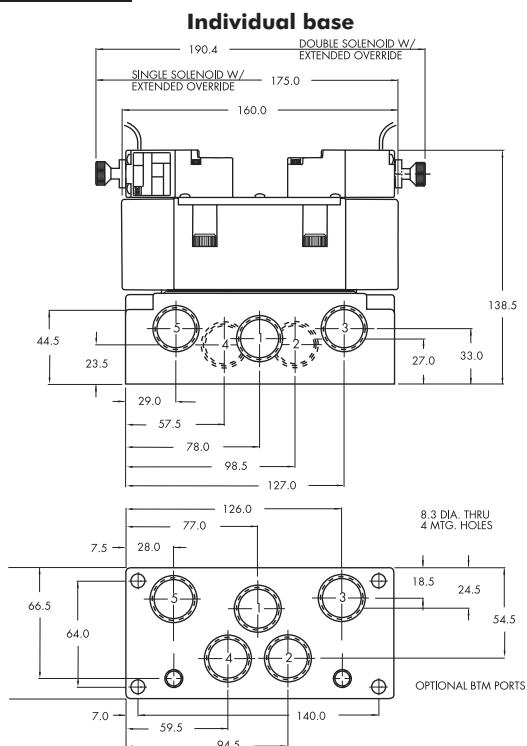
TECHNICAL DATA

Fluid :	Compressed air, vacuum, inert gases
Pressure range :	Internal pilot: 1,3 to 8 bar External pilot : vacuum to 8 bar
Pilot pressure :	Single operator and 3 positions : 1,3 to 8 bar double operator : 2 to 8 bar
Lubrication :	Not required, if used select a medium aniline point lubricant (between 80°C and 100°C)
Filtration :	40 µ
Temperature range :	-18°C to +50°C
Orifice :	14.9 mm
Flow (at 6 bar, ΔP=1bar) :	G1/2": 5400 NI/min (Cv 5,4) – G3/4": 6100 NI/min (Cv 6,1)
Coil :	Epoxy encapsulated – class A wires – 100% ED (specify mod 0449)
Voltage range :	-15% to +10% of nominal voltage
Protection :	IP65 (electrical connection)
Power :	~ Inrush 7,6 VA Holding: 4,8 VA = 12.7 to 1,0 W
Response times : (5,4 W coil)	Energize : 16,2 ms De-energize : 13,6 ms

Options : • Sandwich regulator, see 'Regulators' section

Spare parts : • Pilot valve: DMB-Dxxx-xxx • Valve to base pressure seal: 16614
 • Valve mounting screws (x4): 35451

DIMENSIONS





Direct solenoid and solenoid pilot operated valves

Function	Port size	Flow [Max]	Individual/Manifold mounting	Series
5/2, 5/3	G1/2" - G3/4"	6100 NI/min	Valve only – No base *plug-in* Conform to ISO 5599/2	

OPERATIONAL BENEFITS

1. Unique patented Macsolenoid® for fastest possible response times and virtually burn-out proof AC solenoid operation.
2. Balanced poppet 4-way pilot valve provides maximum shifting forces, precise repeatability and consistent operation.
3. MAC spool and bore combination wipes away contamination, eliminates sticking and allows for use on non-lube service.
4. Large spool area for maximum shifting forces even at minimum operating pressure.
5. Very high flow in a compact package.
6. Plug-in design of valves, bases and regulators for modular assembly and ease of maintenance.
7. Internal or external pilot operation. Manifolds supplied with common external pilot.
8. Air only return. Optional memory spring is also available.
9. Optional low wattage DC solenoid down to 1.0 watt.



HOW TO ORDER

SINGLE PRESSURE MODELS

Pilot air	5/2 Single operator	5/2 Double operator	5/3 Closed centre	5/3 Open centre
Internal	MV-P3A-AAAA-DM-DxxP-xxx	MV-P3A-ABAA-DM-DxxP-xxx	MV-P3A-AEAA-DM-DxxP-xxx	MV-P3A-AFAA-DM-DxxP-xxx
External "1/2" end	MV-P3A-AAAB-DM-DxxP-xxx	MV-P3A-ABAB-DM-DxxP-xxx	MV-P3A-AEAB-DM-DxxP-xxx	MV-P3A-AFAB-DM-DxxP-xxx

DUAL PRESSURE MODELS

Pilot air	5/2 Single operator	5/2 Double operator	5/3 Pressure centre
Internal From port #3	MV-P3A-ACAD-DM-DxxP-xxx	MV-P3A-ADAD-DM-DxxP-xxx	MV-P3A-AGAD-DM-DxxP-xxx
Internal From port #5	MV-P3A-ACAE-DM-DxxP-xxx	MV-P3A-ADAE-DM-DxxP-xxx	MV-P3A-AGAE-DM-DxxP-xxx
External From "1/2" end	MV-P3A-ACAB-DM-DxxP-xxx	MV-P3A-ADAB-DM-DxxP-xxx	MV-P3A-AGAB-DM-DxxP-xxx

SOLENOID OPERATOR >

DM-D **XX** P-**XXX***

XX Voltage	X Manual operator	XX Electrical connection
JA 110 V~/50Hz	1 Non-locking	DM Plug-in
JB 220 V~/50Hz	2 Locking	DN Plug-in with diode
JC 24 V~/50Hz		DP Plug-in with M.O.V.
FB 24 V=/1,8W		DG Plug-in with ground
DA 24 V=/5,4W		
DF 24 V=/12,7W		

* Other options available, see page 385.
 Note: - ISO series, valve and base are ordered separately, see page 317 for base codes.
 - Ground wire required for 30 volts or higher.

OPTIONS

Valve function :

MV-P3A-**A**XX-**XX**-DxxP-xxx

- J** for single operator universal spool (ext. pilot only)
- K** for double operator universal spool (ext. pilot only)

Pilot style :

MV-P3A-**A**XX-**DM**-DxxP-xxx

- DM** Pilot exhaust muffled
- DP** Pilot exhaust piped (#10-32)

Spool return :

MV-P3A-**A**XX-**A**X-**XX**-DxxP-xxx

- A** Standard return
- B** Memory spring return
- D** Standard return with light
- E** Memory spring return with light

31
33
34
36
32
37
38
52
53
54
67
68
69
41
43
44
23
24
46
42
47
48P
48
400
92
83
93
ISO 01
ISO 02
ISO 1
ISO 2
ISO 3

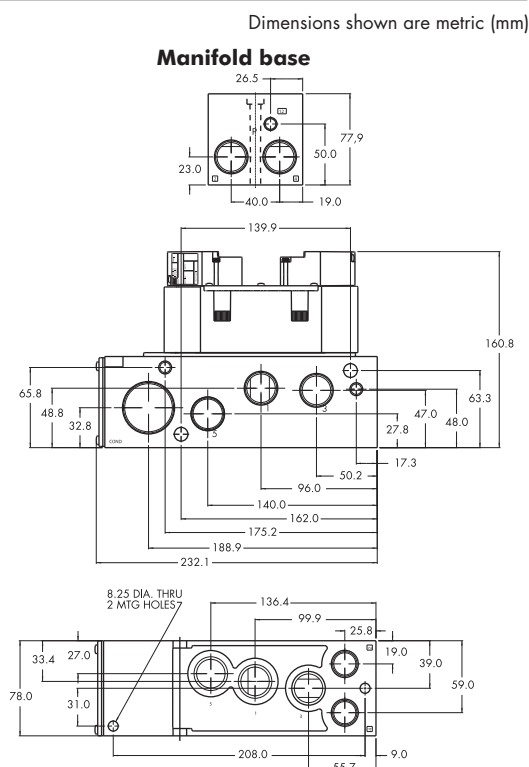
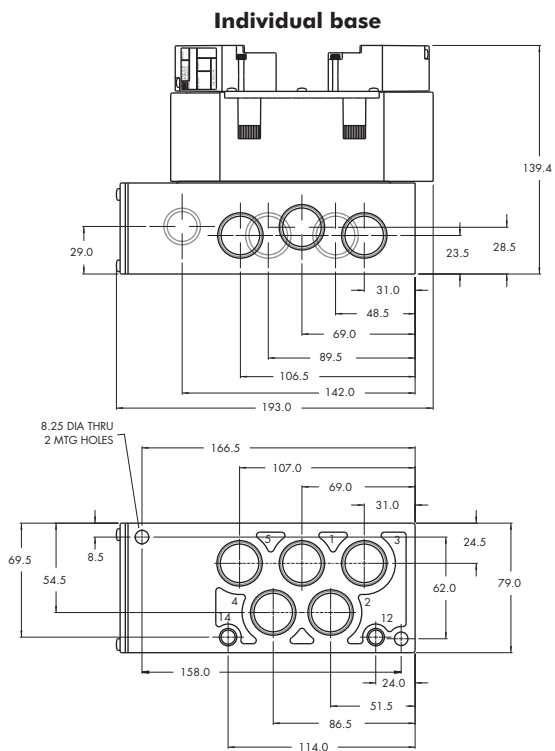
TECHNICAL DATA

Fluid :	Compressed air, vacuum, inert gases
Pressure range :	Internal pilot: 1,3 to 8 bar External pilot : vacuum to 8 bar
Pilot pressure :	Single operator and 3 positions : 1,3 to 8 bar double operator : 2 to 8 bar
Lubrication :	Not required, if used select a medium aniline point lubricant (between 80°C and 100°C)
Filtration :	40 µ
Temperature range :	-18°C to +50°C
Orifice :	14.9 mm
Flow (at 6 bar, ΔP=1bar) :	G1/2": 5400 NI/min (Cv 5,4) – G3/4": 6100 NI/min (Cv 6,1)
Coil :	Epoxy encapsulated – class A wires – 100% ED (specify mod 0449)
Voltage range :	-15% to +10% of nominal voltage
Protection :	IP65 (electrical connection)
Power :	~ Inrush 7,6 VA Holding: 4,8 VA = 12.7 to 1,0 W
Response times :	Energize : 16,2 ms De-energize : 13,6 ms

Options : • Sandwich regulator, see ,Regulators' section

Spare parts : • Pilot valve: DMB-DxxP-xxx • Valve to base pressure seal: 16614
 • Valve mounting screws (x4): 35451

DIMENSIONS





Section 2

Remote air valves



R e m o t e a i r v a l v e s

Function	Port size	Flow [Max] NI/min	Individual mounting			Manifold mounting	Series
			Inline	Sub-base non "plug-in"	Valve only - no base	Valve only - no base	
5/2 - 5/3	G1/8" - G1/4"	1000	P. 259	P. 261			400
3/2	G1/4" - G3/8"	2000	P. 265				53
3/2	G3/8" - G1/2" - G3/4"	5100	P. 269				54
3/2	G3/4" - G1"	20000	P. 273				67
3/2	G1" - G1 1/4" - G1 1/2"	31000	P. 277				68
3/2 - 2/2	G1 1/2" - G2" - G2 1/2"	60000	P. 281				69
5/2	G1/4" - G3/8"	1500	P. 285				83
5/2 - 5/3	G3/8" - G1/2"	3100			P. 289	P. 289	ISO 2
5/2 - 5/3	G1/2" - G3/4"	6200			P. 293	P. 293	ISO 3



R e m o t e a i r v a l v e s

Individual mounting

Inline	Sub-base non "plug-in"
--------	------------------------

Series

400

53

54

67

68

69

83

ISO 2

ISO 3



R e m o t e a i r v a l v e s

Function	Port size	Flow [Max]	Individual mounting	Series
5/2 - 5/3	G1/8" - G1/4"	1000 NI/min	Inline	

OPERATIONAL BENEFITS

1. Balanced spool, immune to variations of pressure, also provides high flow.
2. Bonded spool with minimum friction, shifting in a glass-like finished bore.
3. Wiping effect eliminates sticking.
4. Long service life.
5. Short stroke with high flow.



- 400**
- 53**
- 54**
- 67**
- 68**
- 69**
- 83**
- ISO 2**
- ISO 3**

HOW TO ORDER

SINGLE PRESSURE VALVES

Pilot air	5/2 Single operator	5/2 Double operator	5/3 Closed centre	5/3 Open centre	5/3 Pressure centre
G1/8"	411A-COJ-RA Mod 1493	421A-COJ-RA	451A-COJ-RA	461A-COJ-RA	471A-COJ-RA
G1/4"	411A-DOJ-RA Mod 1493	421A-DOJ-RA	451A-DOJ-RA	461A-DOJ-RA	471A-DOJ-RA

DUAL PRESSURE VALVES

Port size	5/2 Double operator
G1/8"	441A-COJ-RA
G1/4"	441A-DOJ-RA

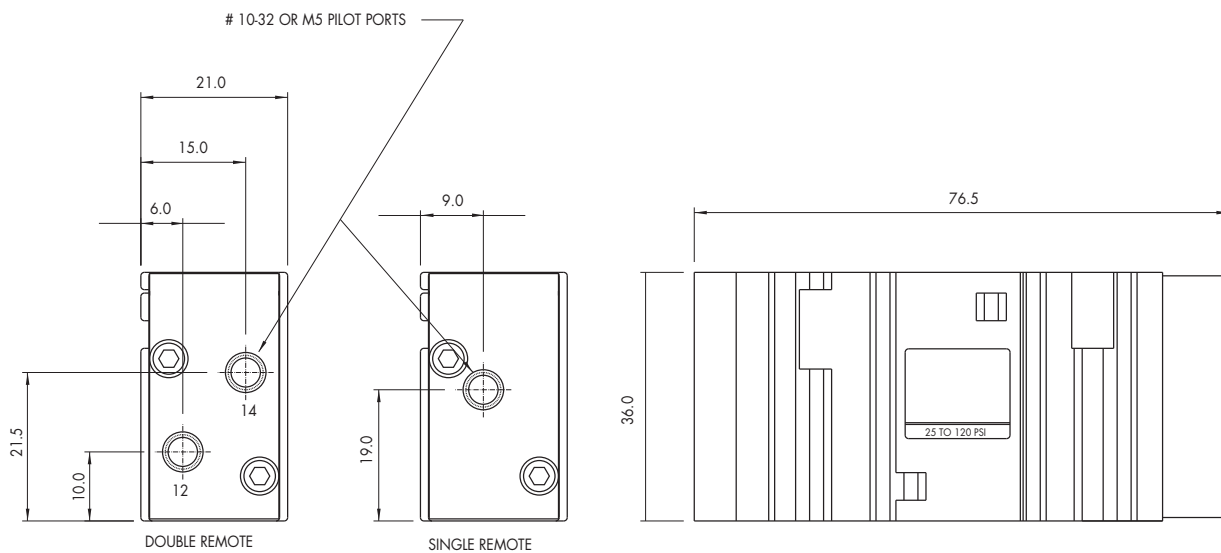
TECHNICAL DATA

Fluid :	Compressed air, vacuum, inert gases
Pressure range :	Single operator: vacuum to 6,7 bar Double operator: vacuum to 10 bar
Air signal pressure :	Single oper.: 2.7 to 10 bar Double oper., 2 pos.: 1,3 to 10 bar, 3 pos.: 2,3 to 10 bar
Lubrication :	Not required, if used select a medium aniline point lubricant (between 80°C and 100°C)
Filtration :	40µ
Temperature range :	-18°C to 50°C
Orifice :	6.2 mm
Flow :	1000 NI/min (Cv 1.0)
Note :	Air signal must be \geq main valve pressure

Option : • NPTF threads

DIMENSIONS

Dimensions shown are metric (mm)



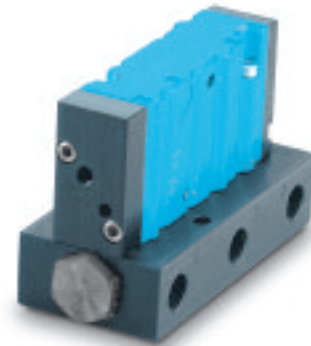


Remote air valves

Function	Port size	Flow [Max]	Individual mounting	Series
5/2 - 5/3	G1/8" - G1/4"	1000 NI/min	Sub-base non "plug-in"	

OPERATIONAL BENEFITS

1. Balanced spool, immune to variations of pressure, also provides high flow.
2. Bonded spool with minimum friction, shifting in a glass-like finished bore.
3. Wiping effect eliminates sticking.
4. Long service life.
5. Short stroke with high flow.



400
53
54
67
68
69
83
ISO 2
ISO 3

HOW TO ORDER

SINGLE PRESSURE VALVES

Port size	5/2 Single operator	5/2 Double operator	5/3 Closed centre	5/3 Open centre	5/3 Pressure centre
Valve less base	413A-00J-RA	423A-00J-RA	453A-00J-RA	463A-00J-RA	473A-00J-RA
G1/8"	413A-CAJ-RA Mod 1493	423A-CAJ-RA	453A-CAJ-RA	463A-CAJ-RA	473A-CAJ-RA
G1/4"	413A-DAJ-RA Mod 1493	423A-DAJ-RA	453A-DAJ-RA	463A-DAJ-RA	473A-DAJ-RA

DUAL PRESSURE VALVES

Port size	5/2 Double operator
G1/8"	443A-CAJ-RA
G1/4"	443A-DAJ-RA

OPTIONS

423A-CAJ-RA
B for base with flow controls

TECHNICAL DATA

Fluid :	Compressed air, vacuum, inert gases
Pressure range :	Single operator: vacuum to 6,7 bar Double operator: vacuum to 10 bar
Air signal pressure :	Single oper.: 2.7 to 10 bar Double oper., 2 pos.: 1,3 to 10 bar, 3 pos.: 2,3 to 10 bar
Lubrication :	Not required, if used select a medium aniline point lubricant (between 80°C and 100°C)
Filtration :	40µ
Temperature range :	-18°C to 50°C
Orifice :	6.2 mm
Flow :	1000 NI/min (Cv 1.0)
Note :	Air signal must be \geq main valve pressure

Options :

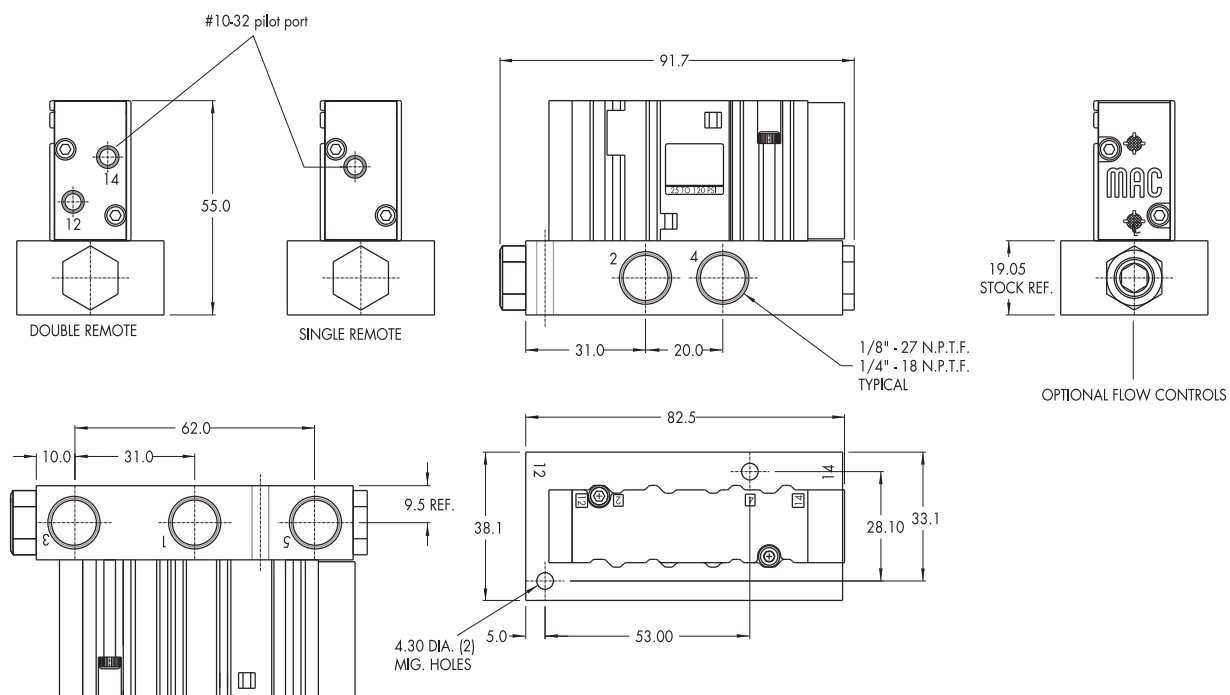
- NPTF threads

Spare parts :

- Valve to base pressure seal: 16525
- Valve mounting screw (x2): 35043
- Flow control assembly (x2): N-04001

DIMENSIONS

Dimensions shown are metric (mm)





R e m o t e a i r v a l v e

Individual mounting

Inline

Series

400

53

54

67

68

69

83

ISO 2

ISO 3



R e m o t e a i r v a l v e

Function	Port size	Flow [Max]	Individual mounting	Series
3/2 NO-NC	G1/4" - G3/8"	2000 NI/min	Inline	

OPERATIONAL BENEFITS

1. Balanced spool, immune to variations of pressure, also provides high flow.
2. Bonded spool with minimum friction, shifting in a glass-like finished bore.
3. Wiping effect eliminates sticking
4. Long service life
5. Short stroke with high flow



- 400
- 53**
- 54
- 67
- 68
- 69
- 83
- ISO 2
- ISO 3

HOW TO ORDER

SINGLE OPERATOR

Port size	Pilot air	Single operator NC Valve	Single operator NO Valve
G1/4"	Internal	53A-1AC-DM-RA14	53A-2AC-DM-RA14
G3/8"		53A-1AD-DM-RA14	53A-2AD-DM-RA14
G1/4"	External from 10 end	53A-1BC-DM-RA14	53A-2BC-DM-RA14
	External from 12 end	53A-1CC-DM-RA14	53A-2CC-DM-RA14
G3/8"	External from 10 end	53A-1BD-DM-RA14	53A-2BD-DM-RA14
	External from 12 end	53A-1CD-DM-RA14	53A-2CD-DM-RA14

DOUBLE OPERATOR

Port size	Double operator NC Valve	Double operator NO Valve
G1/4"	53A-3DC-RA	53A-4DC-RA
G3/8"	53A-3DD-RA	53A-4DD-RA

OPTIONS

53A-X xx-DM-RA14

- Replace by 5 for N.C. valve with memory spring
- Replace by 6 for N.O. valve with memory spring

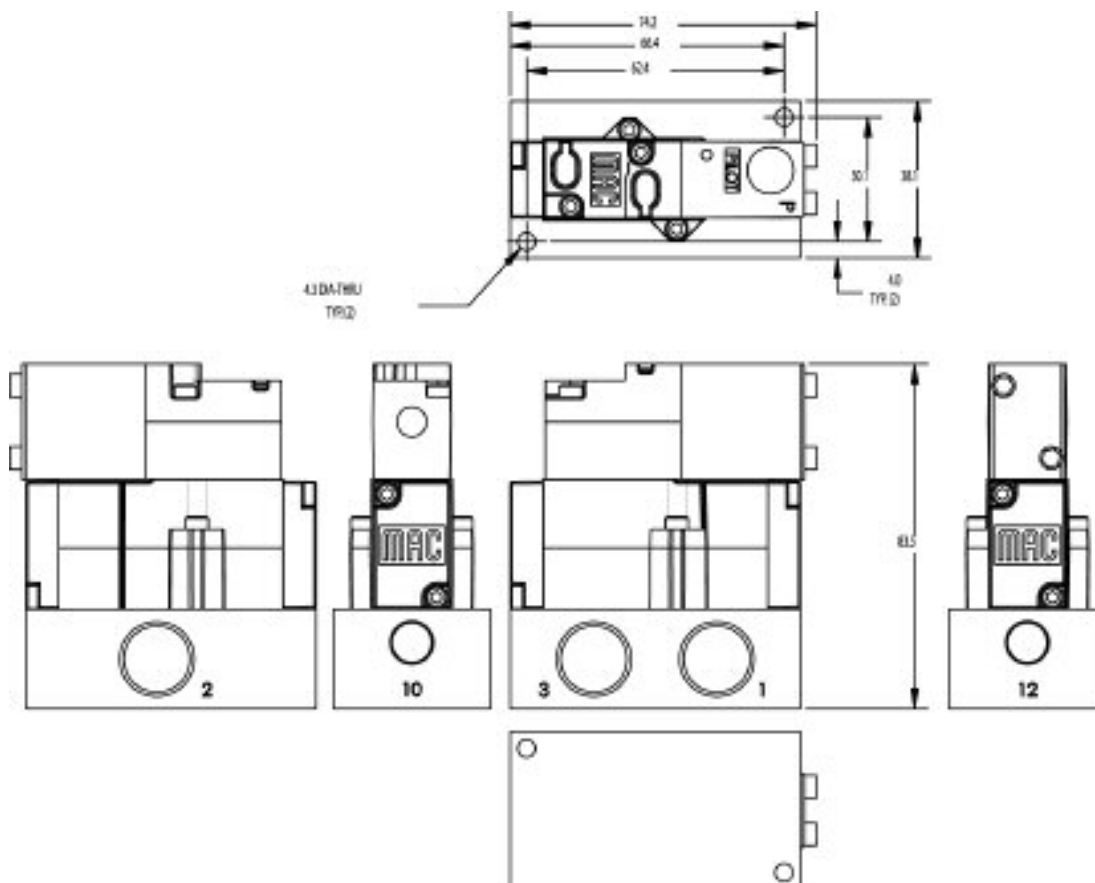
TECHNICAL DATA

Fluid :	Compressed air, vacuum, inert gases	
Pressure range :	Int. pilot & double remote: 1,3 to 8 bar	Internal pilot with memory spring: 2,3 to 8 bar
	External pilot: Vacuum to 8 bar	
Air signal pressure :	Single operator: 2,3 to 4 bar - Double operator: 1,3 to 8 bar*	
Lubrication :	Not required, if used select a medium aniline point lubricant (between 80°C and 100°C)	
Filtration :	40 µ	
Temperature range :	-18°C to +50°C	
Orifice :	8,5 mm	
Flow :	2000 NI/min (Cv 2.0)	
* Note :	Air signal pressure must be ≥ main valve pressure	

Options :
• NPTF threads

DIMENSIONS

Dimensions shown are metric (mm)





R e m o t e a i r v a l v e

Individual mounting

Individual base

Series

400

53

54

67

68

69

83

ISO 2

ISO 3



R e m o t e a i r v a l v e

Function	Port size	Flow [Max]	Individual mounting	Series
3/2	G3/8" - G1/2" - G3/4"	5100 NI/min	Individual base	

OPERATIONAL BENEFITS

1. Balanced spool, immune to variations of pressure, also provides high flow.
2. Bonded spool with minimum friction, shifting in a glass-like finished bore.
3. Wiping effect eliminates sticking
4. Long service life
5. Short stroke with high flow

HOW TO ORDER

SINGLE OPERATOR

Port size	Pilot air	NC Valve	NO Valve
Valve less base	Internal	54A-AA-000-DM-RA14	54A-BA-000-DM-RA14
	External from 10 end	54A-AC-000-DM-RA14	54A-BC-000-DM-RA14
	External from 12 end	54A-AB-000-DM-RA14	54A-BB-000-DM-RA14
G3/8"	Internal	54A-AA-D1A-DM-RA14	54A-BA-D1A-DM-RA14
	External from 10 end	54A-AC-D1A-DM-RA14	54A-BC-D1A-DM-RA14
	External from 12 end	54A-AB-D1A-DM-RA14	54A-BB-D1A-DM-RA14
G1/2"	Internal	54A-AA-E1A-DM-RA14	54A-BA-E1A-DM-RA14
	External from 10 end	54A-AC-E1A-DM-RA14	54A-BC-E1A-DM-RA14
	External from 12 end	54A-AB-E1A-DM-RA14	54A-BB-E1A-DM-RA14
G3/4"	Internal	54A-AA-F1A-DM-RA14	54A-BA-F1A-DM-RA14
	External from 10 end	54A-AC-F1A-DM-RA14	54A-BC-F1A-DM-RA14
	External from 12 end	54A-AB-F1A-DM-RA14	54A-BB-F1A-DM-RA14

DOUBLE OPERATOR

Port size	Double operator NC Valve	Double operator NO Valve
Valve less base	54A-ED-000-RA	54A-FD-000-RA
G3/8"	54A-ED-D1C-RA	54A-FD-D1C-RA
G1/2"	54A-ED-E1C-RA	54A-FD-E1C-RA
G3/4"	54A-ED-F1C-RA	54A-FD-F1C-RA

OPTIONS

SINGLE OPERATOR MODELS

54A-xX-xXx-DM-RA14

- 1 Individual Base – Side ports
- 2 Individual Base – Bottom Cylinder ports (No side cyl. port)
- 0 Base only
- E Base Mount Body – Internal pilot - Pilot exhaust out main exhaust (with DU pilot)
- F Base Mount Body – External pilot (12 end) – Pilot exhaust out main exhaust (with DU pilot)
- G Base Mount Body – External pilot (10 end) – Pilot exhaust out main exhaust (with DU pilot)

DUAL OPERATOR MODELS

54A-xx-xXx-RA

- 1 Individual Base – Side ports
- 2 Individual Base – Bottom Cylinder ports (No side cyl. port)

400

53

54

67

68

69

83

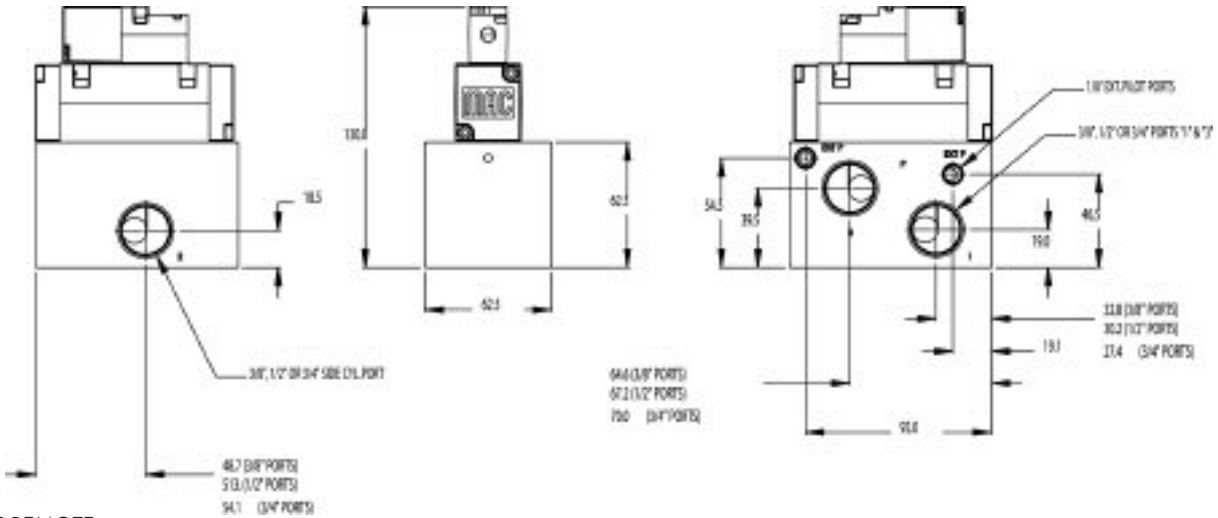
ISO 2

ISO 3

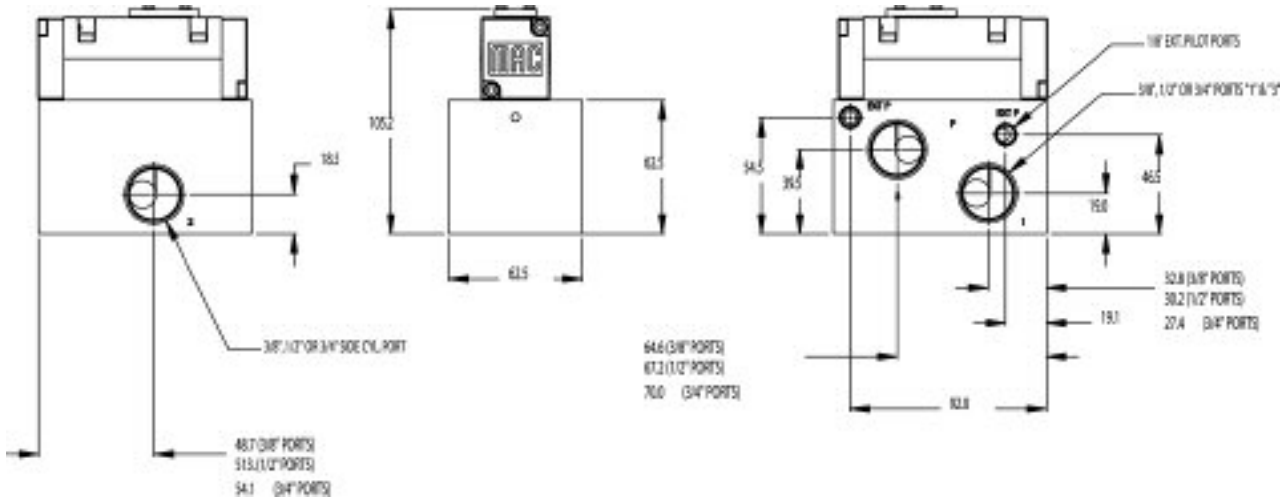
TECHNICAL DATA	
Fluid :	Compressed air, vacuum, inert gases
Pressure range :	Int. pilot & double remote: 1,3 to 8 bar External pilot: Vacuum to 8 bar
Air signal pressure :	Single operator: 2,3 to 4 bar - Double operator: 1,3 to 8 bar*
Lubrication :	Not required, if used select a medium aniline point lubricant (between 80°C and 100°C)
Filtration :	40 µ
Temperature range :	-18°C to +50°C
Orifice :	13,5 mm
Flow :	5100 NI/min (Cv 5.1)
* Note :	For external pilot and double remote, air signal pressure must be ≥ main valve pressure
Options :	• NPT threads

DIMENSIONS Dimensions shown are metric (mm)

SINGLE REMOTE



DOUBLE REMOTE





R e m o t e a i r v a l v e s

Individual mounting

Inline

Series

400

53

54

67

68

69

83

ISO 2

ISO 3

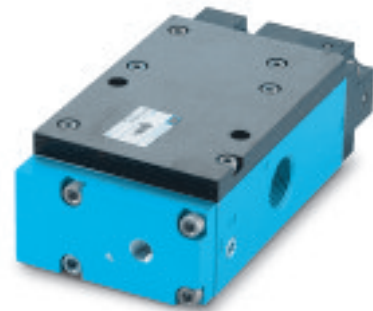


R e m o t e a i r v a l v e s

Function	Port size	Flow [Max]	Individual mounting	Series
3/2	G3/4" - G1"	20000 NI/min	Inline	

OPERATIONAL BENEFITS

1. Balanced spool, immune to variations of pressure.
2. Powerful return forces thanks to the combination of mechanical and air springs.
3. Bonded spool with minimum friction, shifting in a glass like finished bore.
4. Wiping effect eliminates sticking.
5. Long service life.



- 400
- 53
- 54
- 67**
- 68
- 69
- 83
- ISO 2
- ISO 3

HOW TO ORDER

Port size	Pilot air	Single Operator		Double Operator	
		NO Valve	NC Valve	NO Valve	NC Valve
G3/4"	Internal	67A-C3-CRA-RA	67A-A3-CRA-RA	67A-D4-CRA-RA	67A-B4-CRA-RA
G1"		67A-C3-DRA-RA	67A-A3-DRA-RA	67A-D4-DRA-RA	67A-B4-DRA-RA
G3/4"	External	67A-C3-CRB-RE	67A-A3-CRB-RE	-	-
G1"		67A-C3-DRB-RE	67A-A3-DRB-RE	-	-

Note : Designation 'RE' required on remote air models with main valve pressures of vacuum to 1,3 bar.
 'RE' provides an external pilot and should have a pressure range of 1,3 - 5 bar. Since the external pilot supplies the air spring, it must not exceed the remote air pilot pressure.



100%
OF
PRODUCTION
TESTED
100%

WARRANTY
18
MONTHS

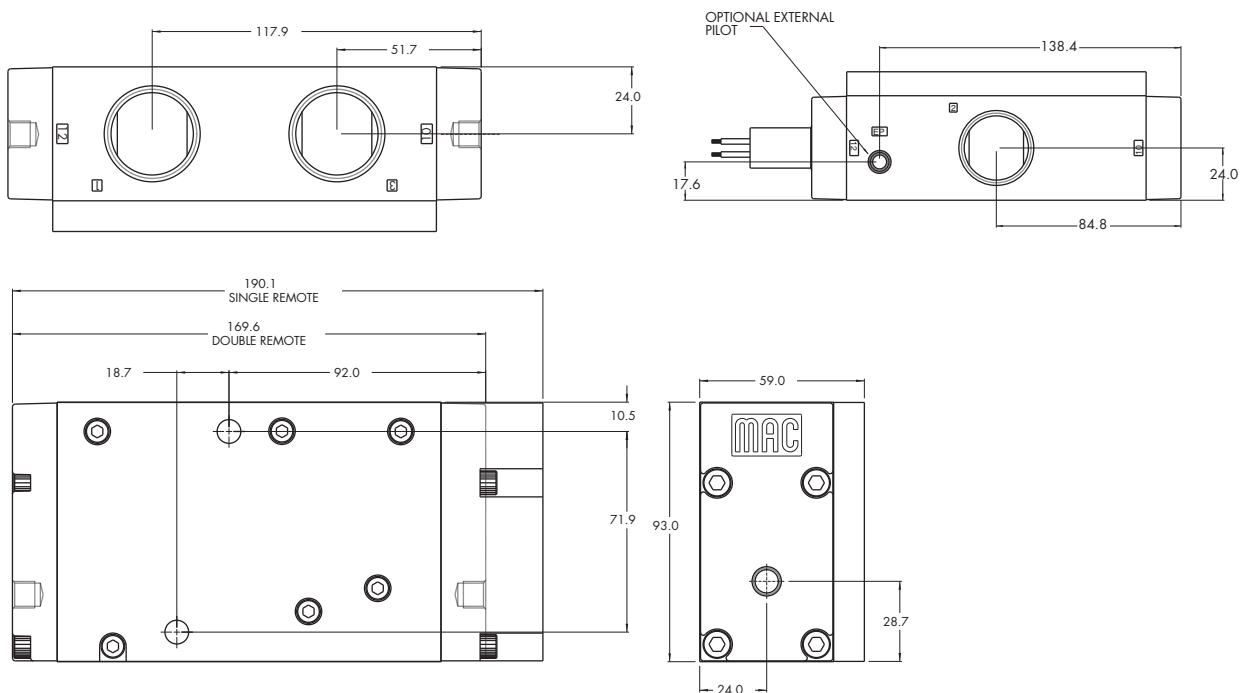
TECHNICAL DATA

Fluid :	Compressed air, vacuum, inert gases
Pressure range :	Vacuum to 10 bar
Air signal pressure :	1.3 to 10 bar (must be \geq main valve pressure)
Lubrication :	Not required, if used select a medium aniline point lubricant (between 80°C and 100°C)
Filtration :	40 μ
Temperature range :	-18°C to +50°C
Orifice :	26.8 mm
Flow :	3/4" : 14500 Nl/min (Cv 14.5) - 1" : 20000 Nl/min (Cv 20.0)

Options : • NPTF threads

DIMENSIONS

Dimensions shown are metric (mm)





R e m o t e a i r v a l v e s

Individual mounting

Inline

Series

400

53

54

67

68

69

83

ISO 2

ISO 3

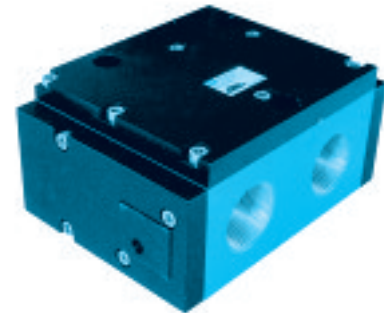


R e m o t e a i r v a l v e s

Function	Port size	Flow [Max]	Individual mounting	Series
3/2, 2/2	G1", G1 1/4", G1 1/2"	31000 NI/min	Inline	

OPERATIONAL BENEFITS

1. Balanced spool, immune to variations of pressure, also provides high flow.
2. Bonded spool with minimum friction, shifting in a glass-like finished bore.
3. Wiping effect eliminates sticking
4. Long service life



- 400
- 53
- 54
- 67
- 68**
- 69
- 83
- ISO 2
- ISO 3

HOW TO ORDER

SINGLE OPERATOR

Port size	Air Spring	Single Operator NO valve	Single Operator NC valve
G 1		68A-C3-DRA-RA	68A-A3-DRA-RA
G 1 1/4"	Internal	68A-C3-ERA-RA	68A-A3-ERA-RA
G 1 1/2"	Internal	68A-C3-FRA-RA	68A-A3-FRA-RA
G 1		68A-C3-DRB-RE	68A-A3-DRB-RE
G 1 1/4"	External	68A-C3-ERB-RE	68A-A3-ERB-RE
G 1 1/2"	External	68A-C3-FRB-RE	68A-A3-FRB-RE

DOUBLE OPERATOR

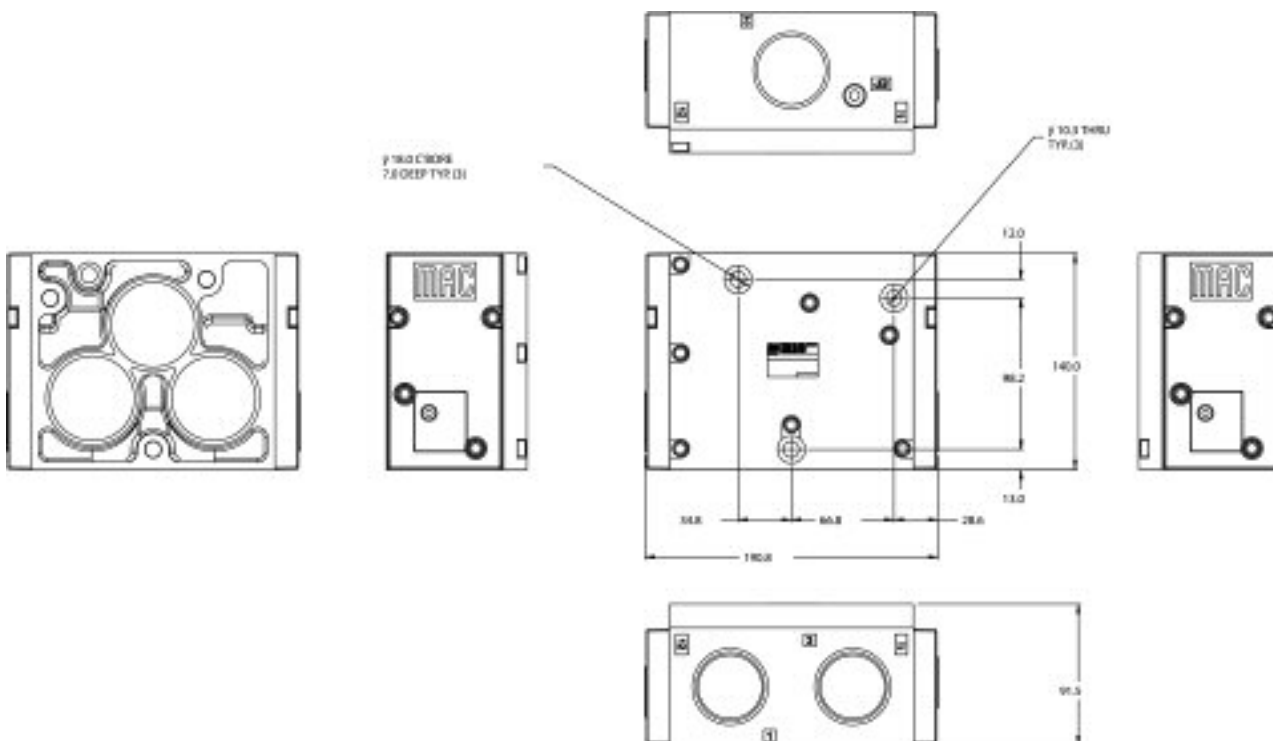
Port size	Double Operator NO valve	Double Operator NC valve
G 1	68A-D4-DRB-RA	68A-B4-DRB-RA
G 1 1/4"	68A-D4-ERB-RA	68A-B4-ERB-RA
G 1 1/2"	68A-D4-FRB-RA	68A-B4-FRB-RA

TECHNICAL DATA

Fluid :	Compressed air, vacuum, inert gases
Pressure range :	Vacuum to 8 bar
Air signal pressure :	1,3 to 8 bar (Must be \geq main valve pressure)
Lubrication :	Not required, if used select a medium aniline point lubricant (between 80°C and 100°C)
Filtration :	40 μ
Temperature range :	-18°C to +50°C
Orifice :	33,4 mm
Flow :	31000 NI/min (Cv 31.0)

DIMENSIONS

Dimensions shown are metric (mm)





R e m o t e a i r v a l v e s

Individual mounting

Inline

Series

400

53

54

67

68

69

83

ISO 2

ISO 3

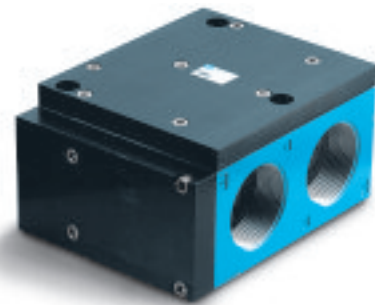


R e m o t e a i r v a l v e s

Function	Port size	Flow [Max]	Individual mounting	Series
3/2 NO-NC, 2/2 NO-NC	G1 1/2" - G2" - G2 1/2"	60000 NI/min	Inline	

OPERATIONAL BENEFITS

1. Balanced spool, immune to variations of pressure
2. Bonded spool with minimum friction, shifting in a glass like finished bore
3. Wiping effect eliminates sticking and contamination
4. Long service life



- 400
- 53
- 54
- 67
- 68
- 69**
- 83
- ISO 2
- ISO 3

HOW TO ORDER

SINGLE OPERATOR

Port size	Air Spring	Single Operator NO valve	Single Operator NC valve
G 1 1/2"	Internal	69A-C3-DRA-RA	69A-A3-DRA-RA
G 2"		69A-C3-ERA-RA	69A-A3-ERA-RA
G 2 1/2"		69A-C3-FRA-RA	69A-A3-FRA-RA
G 1 1/2"	External	69A-C3-DRB-RE	69A-A3-DRB-RE
G 2"		69A-C3-ERB-RE	69A-A3-ERB-RE
G 2 1/2"		69A-C3-FRB-RE	69A-A3-FRB-RE

DOUBLE OPERATOR

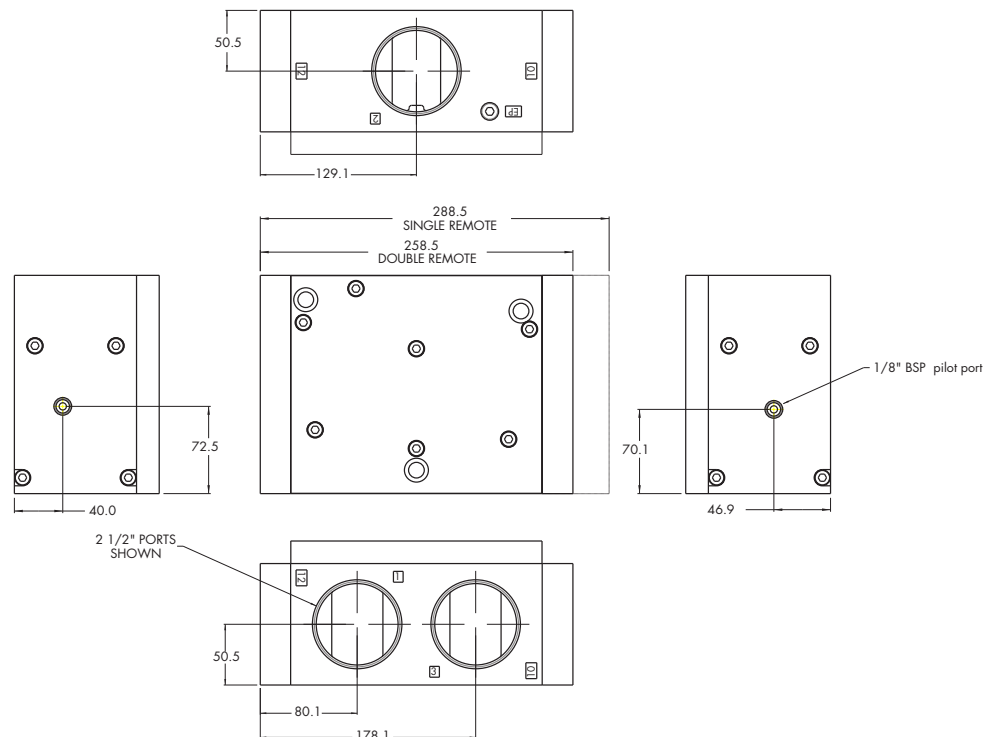
Port size	Double Operator NO valve	Double Operator NC valve
G 1 1/2"	69A-D4-DRB-RA	69A-B4-DRB-RA
G 2"	69A-D4-ERB-RA	69A-B4-ERB-RA
G 2 1/2"	69A-D4-FRB-RA	69A-B4-FRB-RA

TECHNICAL DATA

Fluid :	Compressed air, vacuum, inert gases
Supply pressure:	Internal pilot: 1,3 to 10 bar External pilot: Vacuum to 10 bar
Air signal pressure :	1,3 to 8 bar
Lubrication :	Not required, if used select a medium aniline point lubricant (between 80°C and 100°C)
Filtration :	40 µ
Temperature range :	-18°C to +50°C
Orifice :	46,5 mm
Flow :	60000 NI/min (Cv 60.0)

DIMENSIONS

Dimensions shown are metric (mm)





R e m o t e a i r v a l v e s

Individual Mounting

Inline

Série

400

53

54

67

68

69

83

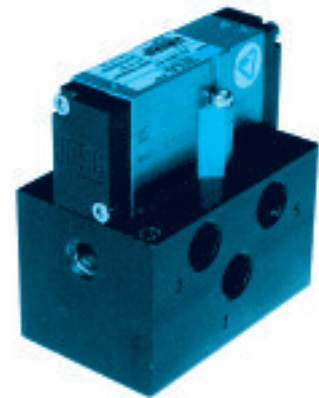
ISO 2

ISO 3

Function	Port size	Flow [Max]	Individual mounting	Series
5/2 - 5/3	G 1/4" - G 3/8"	3100 NI/min	Inline	

OPERATIONAL BENEFITS

1. Balanced spool, immune to variations of pressure, also provides high flow.
2. Bonded spool with minimum friction, shifting in a glass-like finished bore.
3. Wiping effect eliminates sticking.
4. Long service life.
5. Short stroke with high flow.



400
53
54
67
68
69
83
ISO 2
ISO 3

HOW TO ORDER

SINGLE OPERATOR

Port size	Port size	5/2 Single operator	5/2 Dual pressure
G 1/4"	Internal	83A-AAC-DM-RA14	83A-CBC-DM-RA14
	External 14 end	83A-ADC-DM-RA14	83A-CDC-DM-RA14
	External 12 end	83A-AEC-DM-RA14	83A-CEC-DM-RA14
G 3/8"	Internal	83A-AAD-DM-RA14	83A-CBD-DM-RA14
	External 14 end	83A-ADD-DM-RA14	83A-CDD-DM-RA14
	External 12 end	83A-AED-DM-RA14	83A-CED-DM-RA14

DOUBLE OPERATOR

Port size	5/2 Single pressure	5/2 Dual pressure	5/3 Closed centre	5/3 Open centre	5/3 Dual pressure Pressure centre
G 1/4"	83A-BFC-RA	83A-DFC-RA	83A-EFC-RA	83A-FFC-RA	83A-GFC-RA
G 3/8"	83A-BFD-RA	83A-DFD-RA	83A-EFD-RA	83A-FFD-RA	83A-GFD-RA

Note: Above models are for side cylinder ports

OPTIONS

Single operator

83A-xxx-DM-RA14

Replace by **M** for single pressure with memory spring
Replace by **N** for dual pressure with memory spring

Double operator

83A-xxX-RA

Replace by **H** for bottom cylinder ports (1/4" BSPP)

83A-xxx-DM-RA14

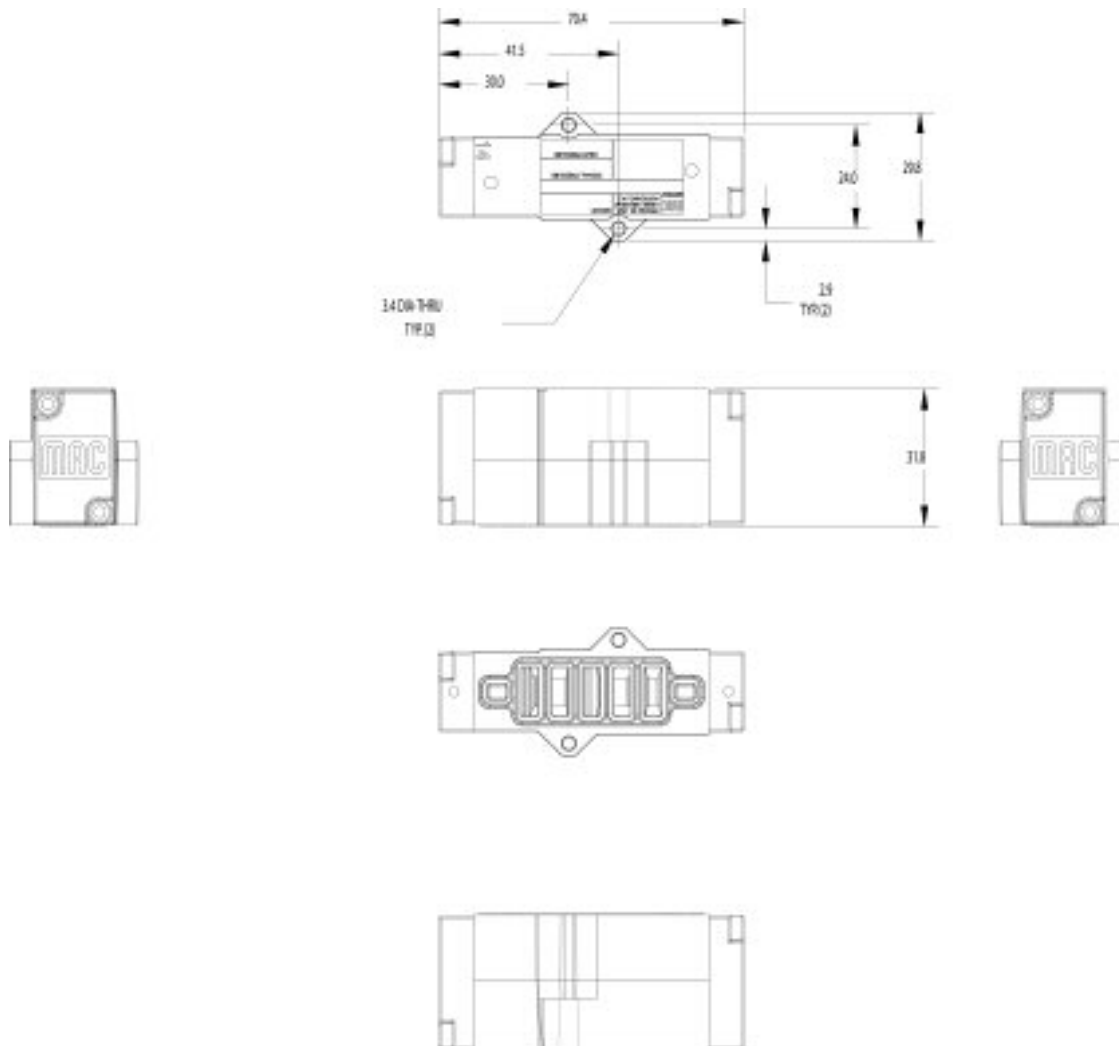
Replace by **H** for bottom cylinder ports (1/4" BSPP)

TECHNICAL DATA

Fluid :	Compressed air, vacuum, inert gases
Pressure range :	Sgl. operator : vacuum to 8 bar (external pilot) 1,3 to 8 bar (internal pilot) 2,3 to 8 bar (internal pilot with memory spring) Dbl. operator : 1,3 to 8 bar
Air signal pressure :	Sgl. operator: 2,3 to 4 bar – Dbl. operator: 1,3 to 8 bar (must be \geq main valve pressure)
Lubrication :	Not required, if used select a medium aniline point lubricant (between 80°C and 100°C)
Filtration :	40 μ
Temperature range :	-18°C to +50°C
Orifice :	8,5 mm
Flow :	1500 NI/min (2 pos.) – 1100 NI/min (3 pos.)
Option :	• NPTF threads

DIMENSIONS

Dimensions shown are metric (mm)





R e m o t e a i r v a l v e s

Individual mounting

Valve only
no base

Series

Manifold mounting

Valve only
no base

400

53

54

67

68

69

83

ISO 2

ISO 3



R e m o t e a i r v a l v e s

Function	Port size	Flow [Max]	Individual/Manifold mounting	Series
5/2 - 5/3	G3/8" - G1/2"	3100 NI/min	Valve only no base	

OPERATIONAL BENEFITS

1. Balanced spool, immune to variations of pressure.
2. Powerful return forces thanks to the combination of mechanical and air springs.
3. Bonded spool with minimum friction, shifting in a glass-like finished bore.
4. Wiping effect eliminates sticking.
5. Long service life.



400
53
54
67
68
69
83

HOW TO ORDER

SINGLE PRESSURE MODELS

Air spring	5/2 Single operator	5/2 Double operator	5/3 Closed centre	5/3 Open centre
Internal	MV-R2A-BACF	MV-R2A-BBAK	MV-R2A-BEAK	MV-R2A-BFAK
External	MV-R2A-BACG			

DUAL PRESSURE MODELS

Air spring	5/2 Single operator	5/2 Double operator	5/3 Open centre	5/3 Pressure centre
Internal port #3	MV-R2A-BCCH			
Internal port #5	MV-R2A-BCCJ	MV-R2A-BDAK	MV-R2A-BHAK	MV-R2A-BGAK
External	MV-R2A-BCCG			

Note: ISO series, valve and base are ordered separately, see page 311 for base code.

ISO 2
ISO 3

TECHNICAL DATA

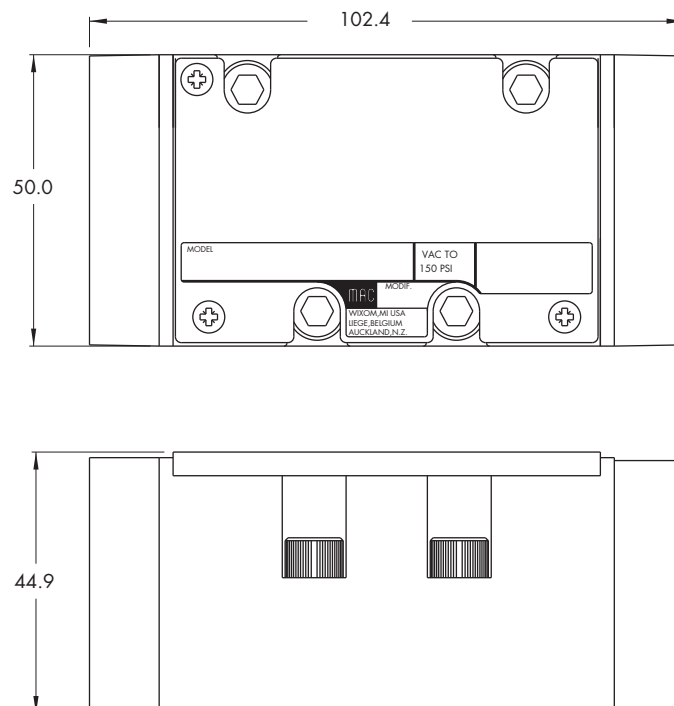
Fluid :	Compressed air, vacuum, inert gases
Pressure range :	Vacuum to 10 bar
Air signal pressure :	Single/double operator: 1,3 to 10 bar 3 position: 2 to 10 bar
Lubrication :	Not required, if used select a medium aniline point lubricant (between 80°C and 100°C)
Filtration :	40 µ
Temperature range :	-18°C to +50°C
Orifice :	10,6 mm
Flow (at 6 bar, ΔP=1bar) :	G3/8": 2800 NI/min – G1/2" : 3100 NI/min (Cv 3,1)

Spare parts :

- Valve to base pressure seal: 16576
- Valve mounting screws (x4): 35413

DIMENSIONS

Dimensions shown are metric (mm)





R e m o t e a i r v a l v e s

Individual mounting

Valve only
no base

Series

Manifold mounting

Valve only
no base

400

53

54

67

68

69

83

ISO 2

ISO 3



R e m o t e a i r v a l v e s

Function	Port size	Flow [Max]	Individual/Manifold mounting	Series
5/2 - 5/3	G1/2" - G3/4"	6200 NI/min	Valve only no base	

OPERATIONAL BENEFITS

1. Balanced spool, immune to variations of pressure.
2. Powerful return forces thanks to the combination of mechanical and air springs.
3. Bonded spool with minimum friction, shifting in a glass-like finished bore.
4. Wiping effect eliminates sticking.
5. Long service life.



400
53
54
67
68
69
83
ISO 2
ISO 3

HOW TO ORDER

SINGLE PRESSURE MODELS

Air spring	5/2 Single operator	5/2 Double operator	5/3 Closed centre	5/3 Open centre
Internal	MV-R3A-BACF	MV-R3A-BBAK	MV-R3A-BEAK	MV-R3A-BFAK
External	MV-R3A-BACG			

DUAL PRESSURE MODELS

Air spring	5/2 Single operator	5/2 Double operator	5/3 Pressure centre
Internal port #3	MV-R3A-BCCH	MV-R3A-BDAK	MV-R3A-BGAK
Internal port #5	MV-R3A-BCCJ		
External	MV-R3A-BCCG		

Note: ISO series, valve and base are ordered separately, see page 313 for base code.

TECHNICAL DATA

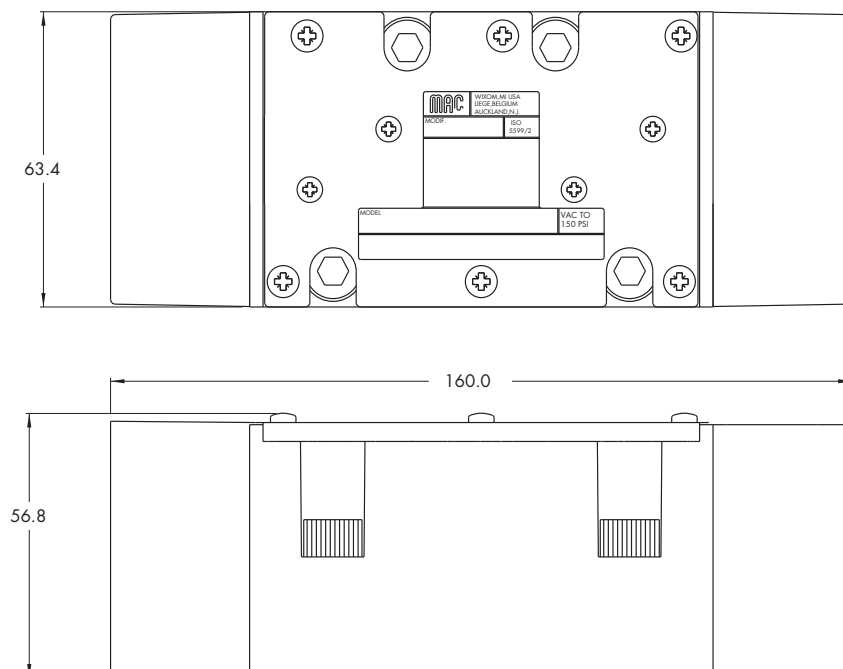
Fluid :	Compressed air, vacuum, inert gases
Pressure range :	Vacuum to 10 bar
Air signal pressure :	Single/double operator: 1,3 to 10 bar 3 position: 2 to 10 bar
Lubrication :	Not required, if used select a medium aniline point lubricant (between 80°C and 100°C)
Filtration :	40 µ
Temperature range :	-18°C to +50°C
Orifice :	24 mm
Flow :	G1/2": 5400 NI/min (Cv 5,4) – G3/4" : 6200 NI/min (Cv 6,2)

Spare parts :

- Valve to base pressure seal: 16614
- Valve mounting screws (x4): 35451

DIMENSIONS

Dimensions shown are metric (mm)





Section 3

Bases according to ISO standards



Bases according to ISO standards

		Series
Non plug-in Base/manifold	Plug-in Base/manifold	
P. 299	P. 301	ISO 01
P. 303	P. 305	ISO 02
P. 307	P. 309	ISO 1
P. 311	P. 313	ISO 2
P. 315	P. 317	ISO 3



Series

Non plug-in individual / manifold base



ISO 01
ISO 02
ISO 1
ISO 2
ISO 3

HOW TO ORDER

INDIVIDUAL BASE

Port size	Pilot air	Side ports	Bottom 2 & 4 ports With all side ports
G1/4"	Internal	MB-A01A-221	MB-A01A-222

MANIFOLD BASE

Port size	Pilot air	Side ports	Bottom 2 & 4 ports With side 1, 3 & 5 ports
G1/4"	Internal	MM-A01A-221	MM-A01A-222

Notes:

- For manifold bases external pilot is common
- A base is ordered as internal pilot and can be changed into external pilot by removing pipe plugs from the external pilot ports (individual base).
- Manifold base: same base for internal and external pilot, different end plate kits.

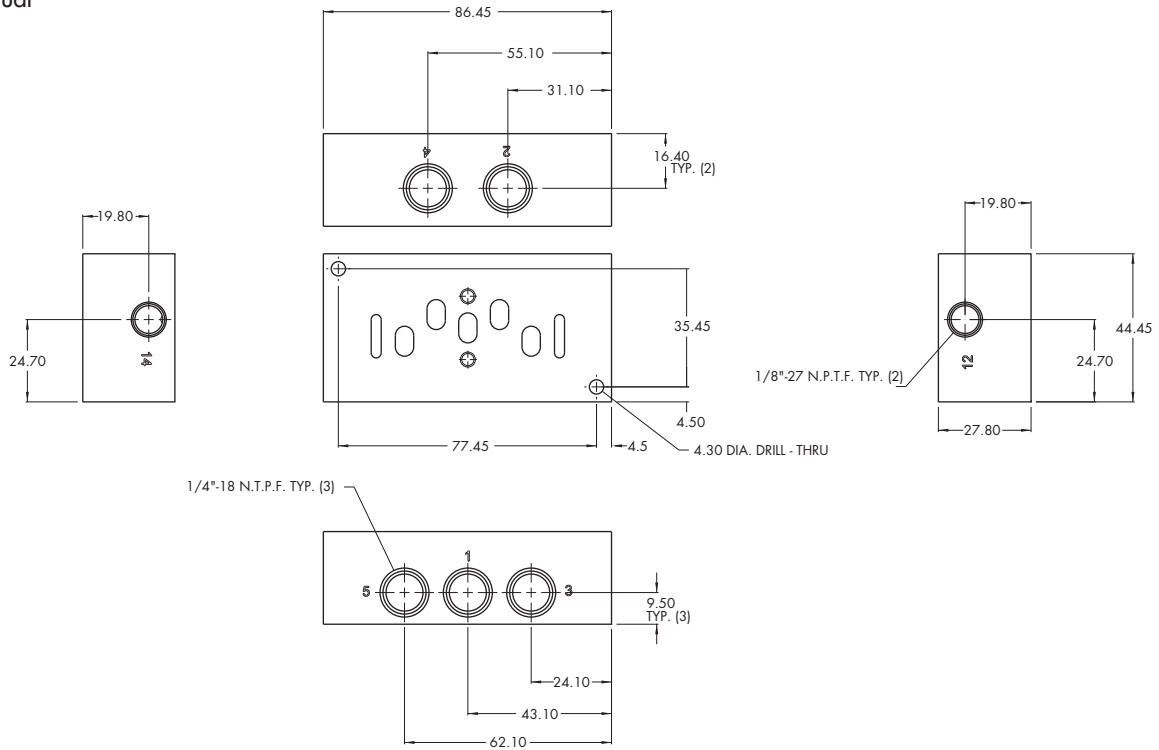
End plate kit: Internal pilot M-00017-01-01P
 External pilot M-00017-02-01P

Inlet/exhaust isolator: 28413

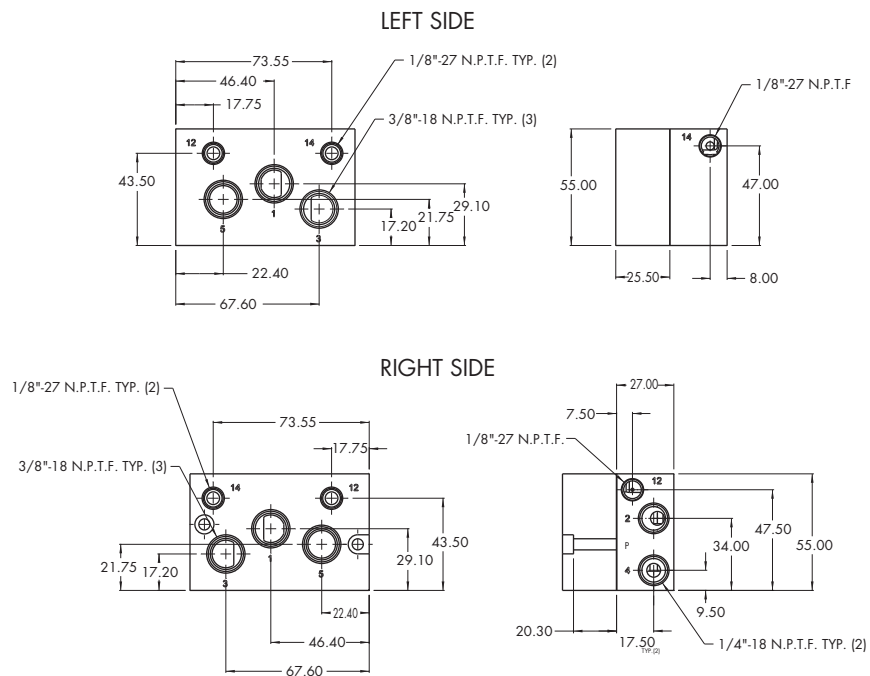
DIMENSIONS

Dimensions shown are metric (mm)

Individual



Manifold



Plug-in individual / manifold base



ISO 01
ISO 02
ISO 1
ISO 2
ISO 3

HOW TO ORDER

INDIVIDUAL BASE

Port size	Pilot air	Side ports with all side ports	Bottom 2 & 4 ports
G1/4"	Internal	MB-P01A-221	MB-P01A-222

MANIFOLD BASE

Port size	Pilot air	Side ports With side 1, 3 & 5 ports	Bottom 2 & 4 ports
G1/4"	Internal	MM-P01A-221	MM-P01A-222

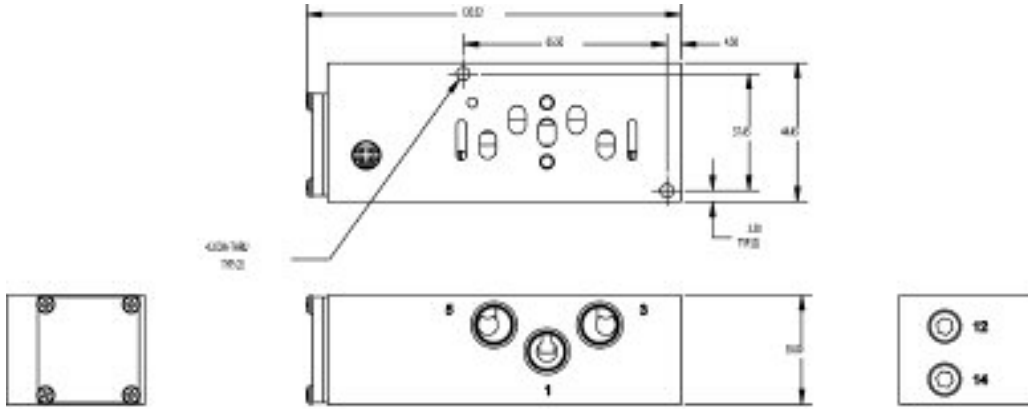
Notes:

- For manifold bases external pilot is common
- End plate kit: Internal pilot M-00020-01-01P
External pilot M-00020-02-01P

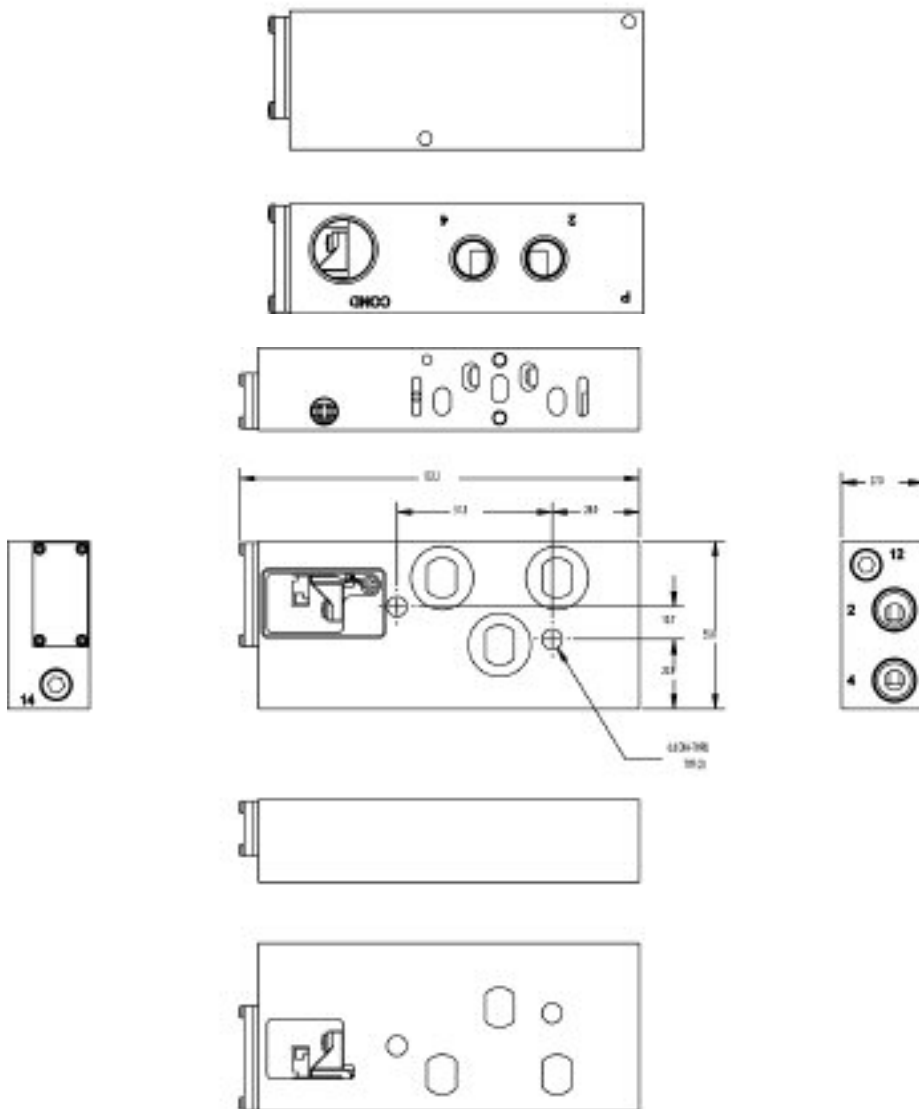
DIMENSIONS

Dimensions shown are metric (mm)

Individual



Manifold



Non plug-in individual / manifold base



ISO 01
ISO 02
 ISO 1
 ISO 2
 ISO 3

HOW TO ORDER

INDIVIDUAL BASE

Port size	Pilot air	Side ports	Bottom 2 & 4 ports With all side ports
G1/8"	Internal	MB-A02A-211	MB-A02A-212

MANIFOLD BASE

Port size	Pilot air	Side ports	Bottom 2 & 4 ports With side 1, 3 & 5 ports
G1/8"	Internal	MM-A02A-211	MM-A02A-212

Notes:

- For manifold bases external pilot is common
- A base is ordered as internal pilot and can be changed into external pilot by removing pipe plugs from the external pilot ports (individual base).
- Manifold base: same base for internal and external pilot, different end plate kits.

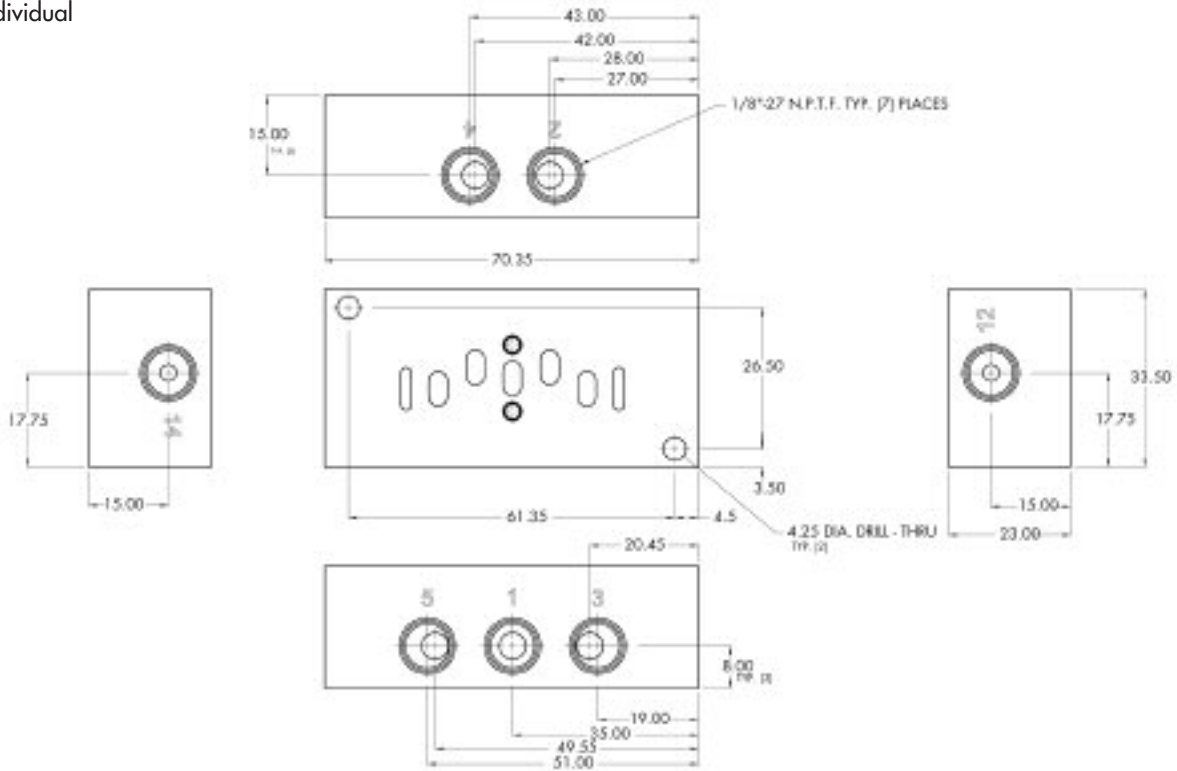
End plate kit: Internal pilot M-00018-01-01P
 External pilot M-00018-02-01P

Inlet/exhaust isolator: 28499

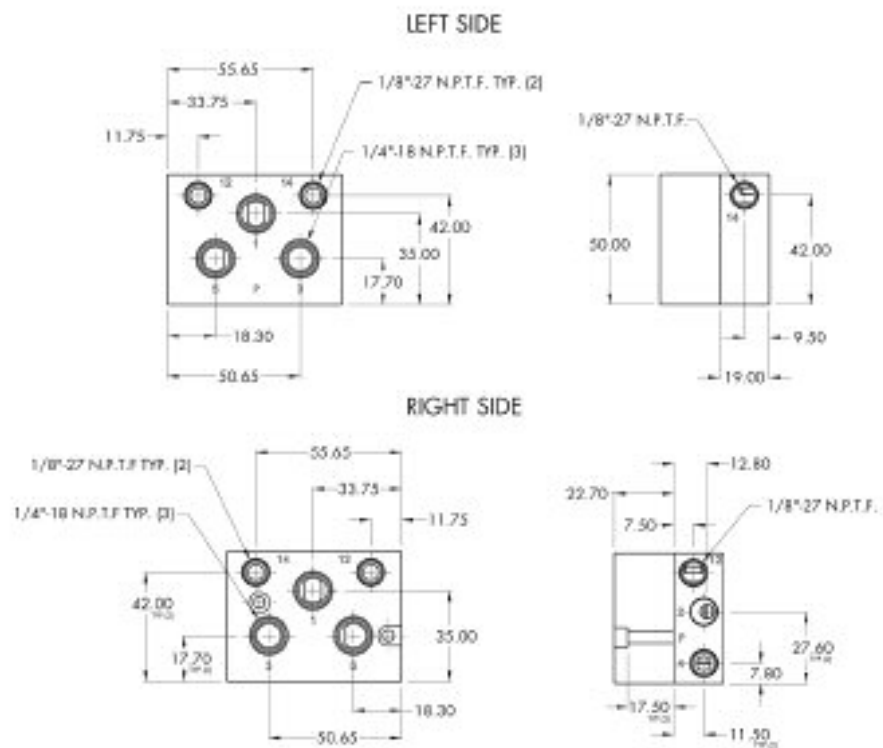
DIMENSIONS

Dimensions shown are metric (mm)

Individual



Manifold



Plug-in individual / manifold base



- ISO 01
- ISO 02**
- ISO 1
- ISO 2
- ISO 3

HOW TO ORDER

INDIVIDUAL BASE

Port size	Pilot air	Side ports with all side ports	Bottom 2 & 4 ports
G1/8"	Internal	MB-P02A-211	MB-P02A-212

MANIFOLD BASE

Port size	Pilot air	Side ports With side 1, 3 & 5 ports	Bottom 2 & 4 ports
G1/8"	Internal	MM-P02A-211	MM-P02A-212

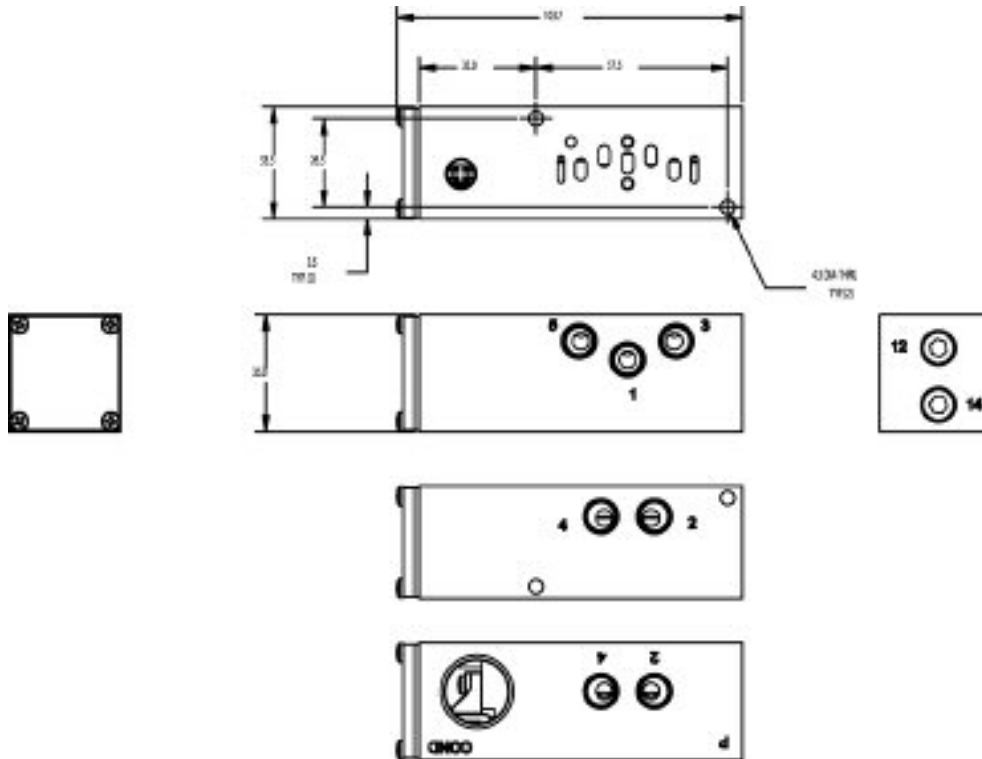
Notes:

- For manifold bases external pilot is common
- End plate kit: Internal pilot M-00021-01-01P
 External pilot M-00021-02-01P

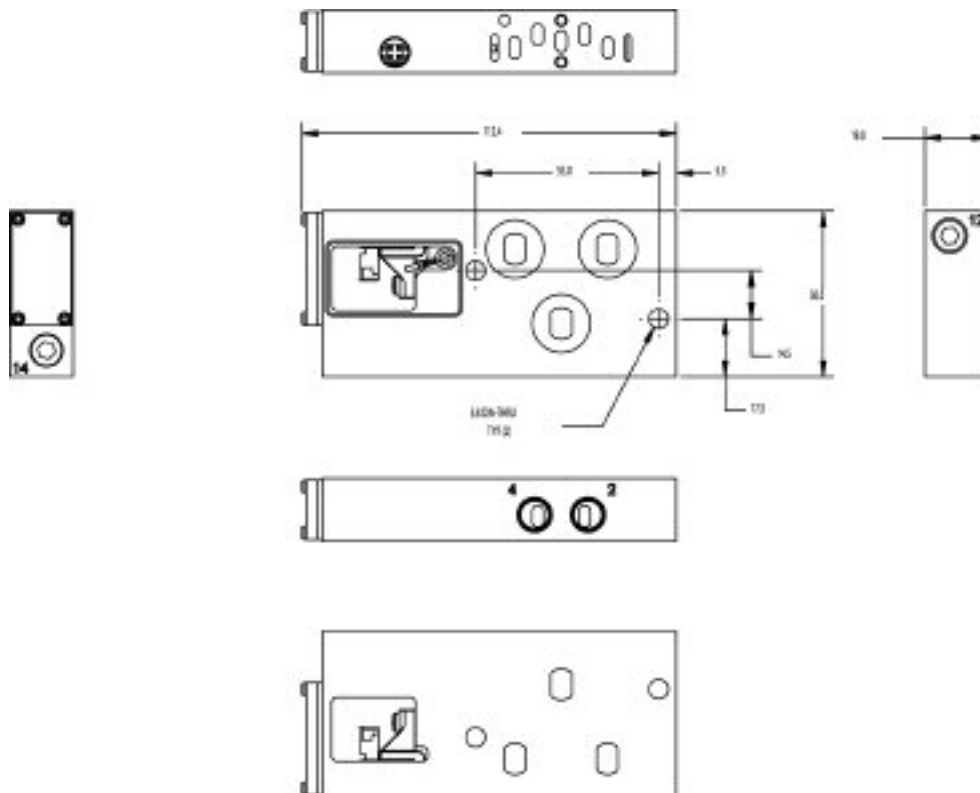
DIMENSIONS

Dimensions shown are metric (mm)

Individual



Manifold



Non plug-in base / manifold



- ISO 01
- ISO 02
- ISO 1**
- ISO 2
- ISO 3

HOW TO ORDER

INDIVIDUAL BASE

Port size	Side ports	Bottom ports	Bottom cylinder ports 2 and 4.	Bottom port 1
G1/4"	MB-A1C-121	MB-A1C-123	MB-A1C-122	MB-A1C-124
G3/8"	MB-A1C-131	MB-A1C-133	MB-A1C-132	MB-A1C-134

INDIVIDUAL BASE ACCORDING TO VDMA 24345

Port size	Side ports	Bottom ports
G1/4"	HB-A1A-A	HB-A1A-B

MANIFOLD BASE

Port size	Side ports	Bottom ports	Bottom cylinder ports 2 and 4.	Bottom port 1
G1/4"	MM-A1C-121	MM-A1C-123	MM-A1C-122	MM-A1C-124
G3/8"	MM-A1C-131	MM-A1C-133	MM-A1C-132	MM-A1C-134

Manifold fastening kit : N-63002-01.

MANIFOLD BASE ACCORDING TO VDMA 24345

Port size	Side ports
G1/4"	HM-A1A-C

End plate kit: HM-A1A-D.

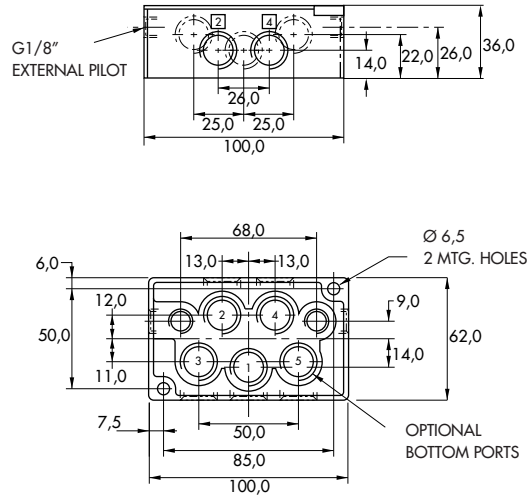
Valve blanking plate: MA1003.
Inlet/exhaust isolator plug: 32835.

DIMENSIONS

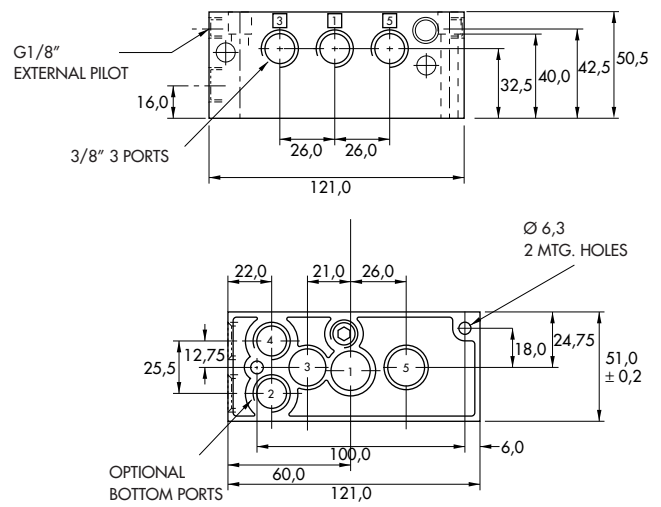
Dimensions shown are metric (mm)

Individual

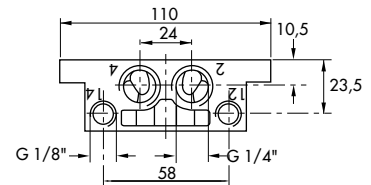
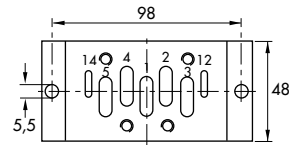
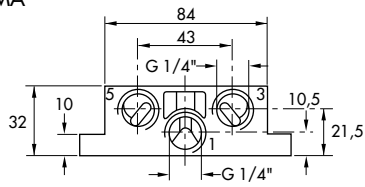
DIN 5599/1



Manifold



VDMA



Plug-in base / manifold



- ISO 01
- ISO 02
- ISO 1**
- ISO 2
- ISO 3

HOW TO ORDER

INDIVIDUAL BASE

Port size	Wired for	Side ports	Side ports w/ bottom 2 & 4 ports	All side & bottom ports
G1/4"	Single solenoid	MB-P1A-121-A	MB-P1A-122-A	MB-P1A-123-A
	Double solenoid	MB-P1A-121-B	MB-P1A-122-B	MB-P1A-123-B
G3/8"	Single solenoid	MB-P1A-131-A	MB-P1A-132-A	MB-P1A-133-A
	Double solenoid	MB-P1A-131-B	MB-P1A-132-B	MB-P1A-133-B

MANIFOLD BASE

Port size	Wired for	Side ports	Side ports w/ bottom 2 & 4 ports	All side & bottom ports (see note)
G1/4"	Single solenoid	MM-P1A-121-A	MM-P1A-122-A	MM-P1A-123-A
	Double solenoid	MM-P1A-121-B	MM-P1A-122-B	MM-P1A-123-B
G3/8"	Single solenoid	MM-P1A-131-A	MM-P1A-132-A	MM-P1A-133-A
	Double solenoid	MM-P1A-131-B	MM-P1A-132-B	MM-P1A-133-B

Note : Ports 1,3, and 5 are always 3/8".

OPTIONS

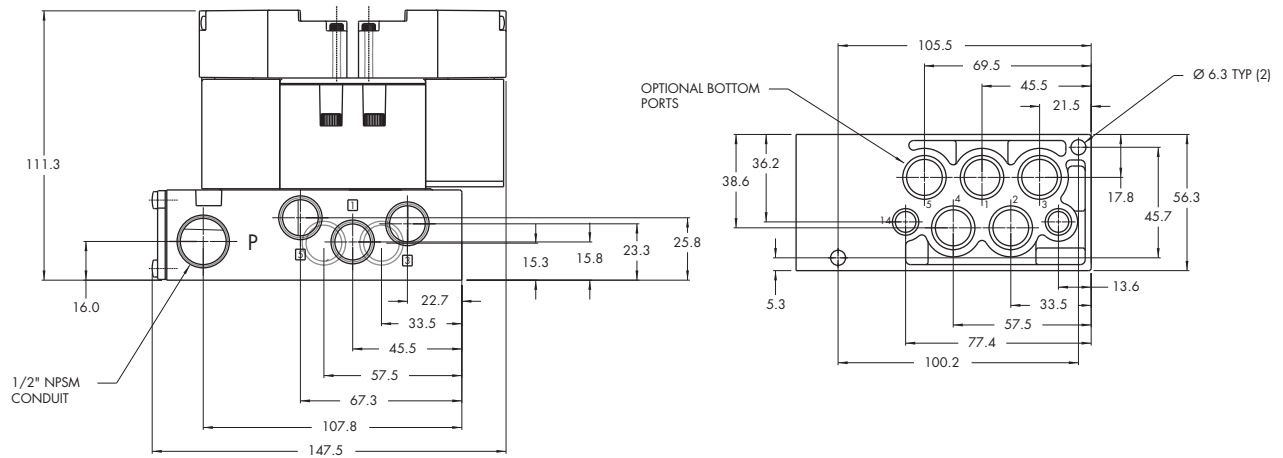
- Manifold options :
- External pilot **MM-P1A-12x-xx**
 - 32 for 1/4" port – common external pilot
 - 33 for 3/8" port – common external pilot
 - Terminal strip **MM-P1A-xxx-A** (N/A with light)
 - J wired for sgl solenoid
 - K wired for double solenoid
 - Base / Manifold option: light(s) **MX-P1A-xxx-xJA**
 - JA 110/120 volt
 - JB 220/240 volt
 - DA 24 volt

- Accessories: M-P1001 Valve blanking plate.
N-P1007-01 Manifold fastening kit.
32835 Inlet/exhaust isolator plug.

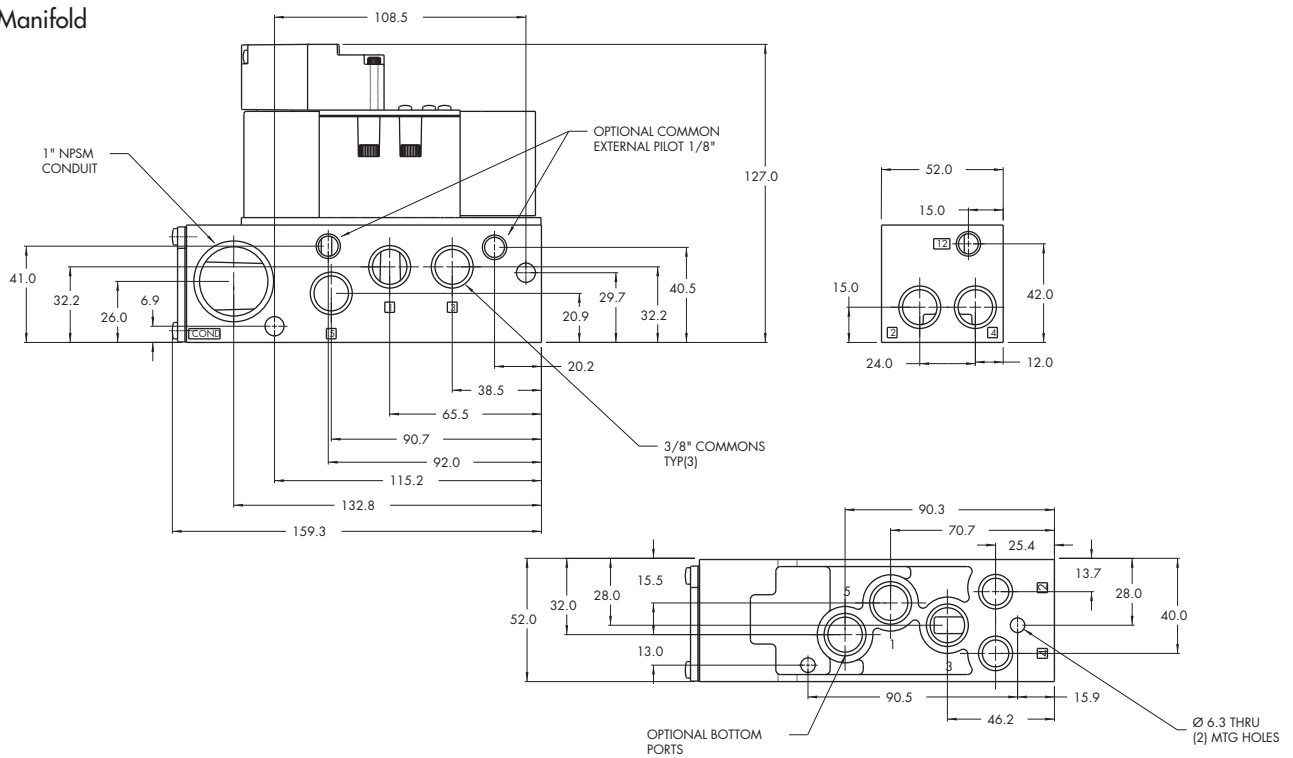
DIMENSIONS

Dimensions shown are metric (mm)

Individual



Manifold



Non plug-in base / manifold



- ISO 01
- ISO 02
- ISO 1
- ISO 2**
- ISO 3

HOW TO ORDER

INDIVIDUAL BASE

Port size	Side ports	Bottom ports	Bottom cylinder ports 2 and 4.	Bottom port 1
G3/8"	MB-A2B-121	MB-A2B-123	MB-A2B-122	MB-A2B-124
G1/2"	MB-A2B-131	MB-A2B-133	MB-A2B-132	MB-A2B-134

INDIVIDUAL BASE ACCORDING TO VDMA 24345

Port size	Side ports	Bottom ports
G3/8"	HB-A2B-A	HB-A2B-B

MANIFOLD BASE

Port size	Side ports	Bottom ports	Bottom cylinder ports 2 and 4.	Bottom port 1
G3/8"	MM-A2B-121	MM-A2B-123	MM-A2B-122	MM-A2B-124
G1/2"	MM-A2B-131	MM-A2B-133	MM-A2B-132	MM-A2B-134

Manifold fastening kit : N-63002-01.

MANIFOLD BASE ACCORDING TO VDMA 24345

Port size	Side ports
G3/8"	HM-A2B-C

End plate kit: HM-A2B-D.

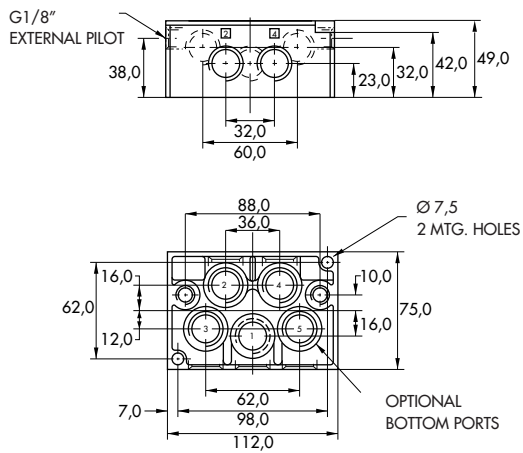
Valve blanking plate: MA2003.
Inlet/exhaust isolator plug: 32839.

DIMENSIONS

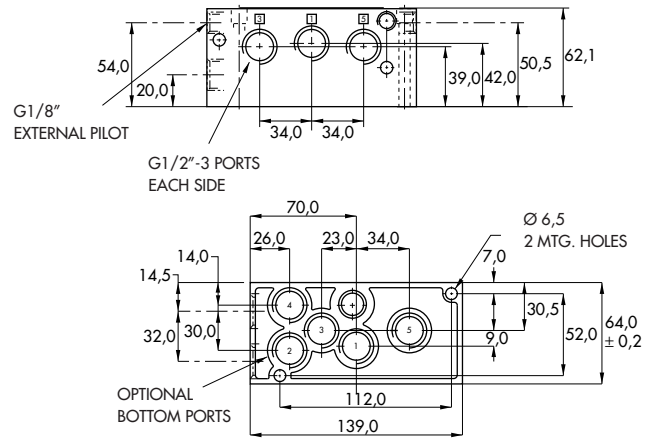
Dimensions shown are metric (mm)

Individual

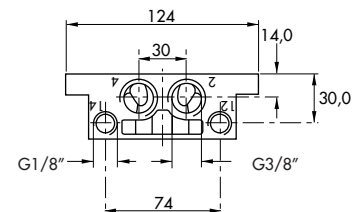
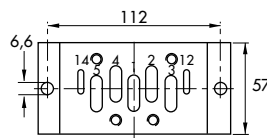
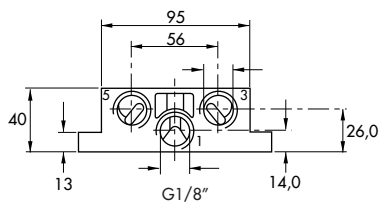
DIN 5599/1



Manifold



VDMA



Plug-in base / manifold



- ISO 01
- ISO 02
- ISO 1
- ISO 2**
- ISO 3

HOW TO ORDER

INDIVIDUAL BASE

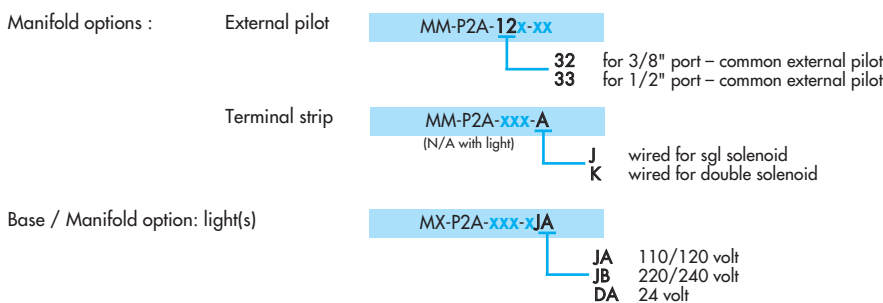
Port size	Wired for	Side ports	Side ports w/ bottom 2 & 4 ports	All side & bottom ports
G3/8"	Single solenoid	MB-P2A-121-A	MB-P2A-122-A	MB-P2A-123-A
	Double solenoid	MB-P2A-121-B	MB-P2A-122-B	MB-P2A-123-B
G1/2"	Single solenoid	MB-P2A-131-A	MB-P2A-132-A	MB-P2A-133-A
	Double solenoid	MB-P2A-131-B	MB-P2A-132-B	MB-P2A-133-B

MANIFOLD BASE

Port size	Wired for	Side ports	Side ports w/ bottom 2 & 4 ports	All side & bottom ports (see note)
G3/8"	Single solenoid	MM-P2A-121-A	MM-P2A-122-A	MM-P2A-123-A
	Double solenoid	MM-P2A-121-B	MM-P2A-122-B	MM-P2A-123-B
G1/2"	Single solenoid	MM-P2A-131-A	MM-P2A-132-A	MM-P2A-133-A
	Double solenoid	MM-P2A-131-B	MM-P2A-132-B	MM-P2A-133-B

Note : Ports 1,3, and 5 are always 1/2".

OPTIONS

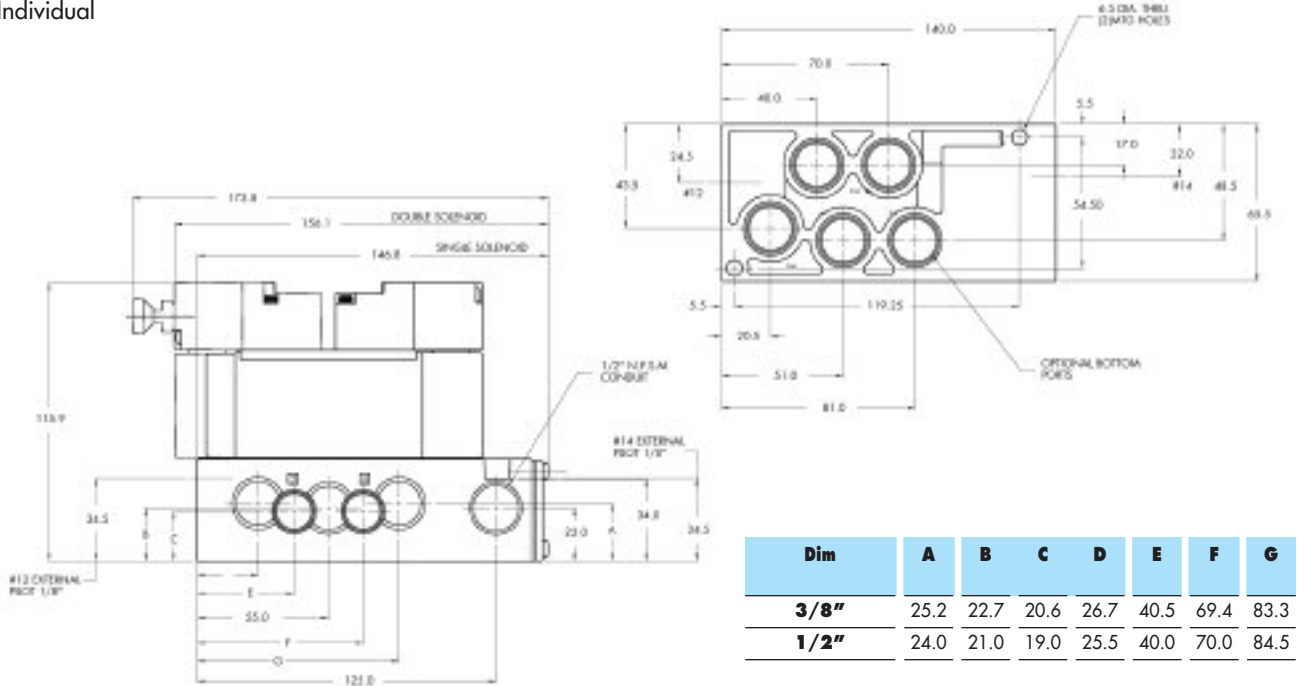


- Accessories: M-P2001 Valve blanking plate.
N-P2004-01 Manifold fastening kit.
32839 Inlet/exhaust isolator plug.

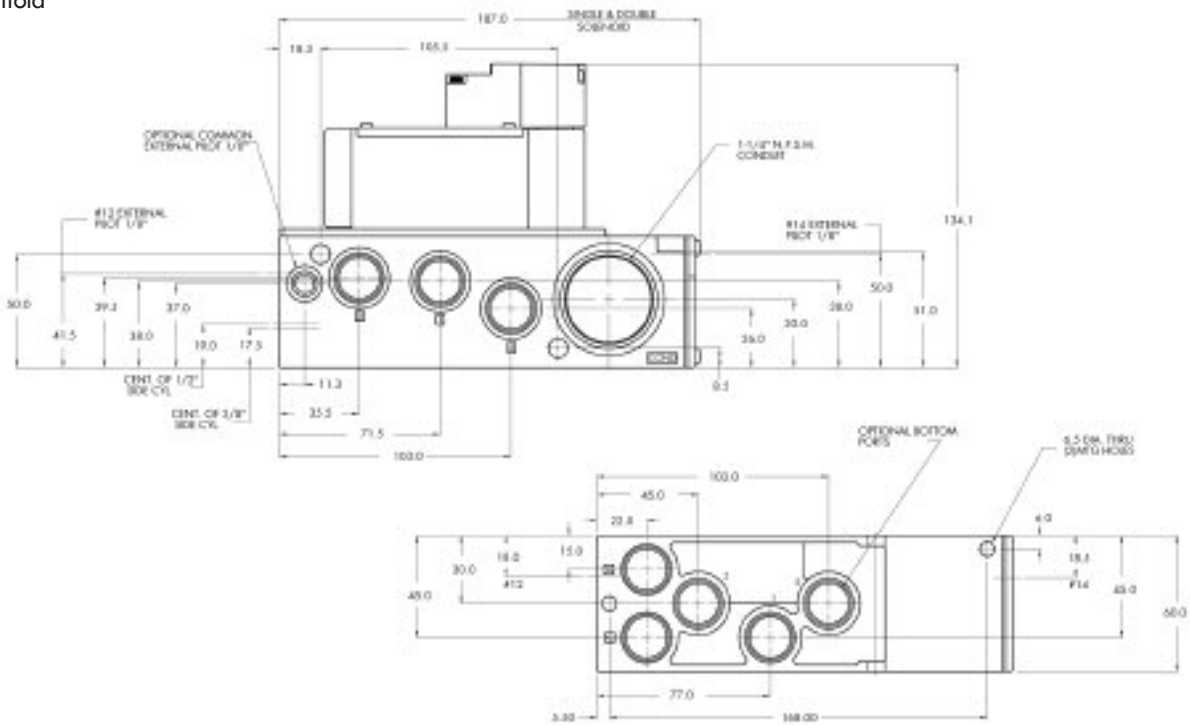
DIMENSIONS

Dimensions shown are metric (mm)

Individual



Manifold



Non plug-in base / manifold

- ISO 01
- ISO 02
- ISO 1
- ISO 2
- ISO 3**



HOW TO ORDER

INDIVIDUAL BASE

Port size	Side ports	Bottom ports	Bottom cylinder ports 2 and 4.	Bottom port 1
G1/2"	MB-B3A-121-A	MB-B3A-123-A	MB-B3A-122-A	MB-B3A-124-A
G3/4"	MB-B3A-131-A	MB-B3A-133-A	MB-B3A-132-A	MB-B3A-134-A

INDIVIDUAL BASE ACCORDING TO VDMA 24345

Port size	Side ports	Bottom ports
G1/2"	HB-B3A-A	HB-B3A-B

MANIFOLD BASE

Port size	Side ports	Bottom ports	Bottom cylinder ports 2 and 4.	Bottom port 1
G1/2"	MM-B3A-121-A	MM-B3A-123-A	MM-B3A-122-A	MM-B3A-124-A
G3/4"	MM-B3A-131-A	MM-B3A-133-A	MM-B3A-132-A	MM-B3A-134-A

MANIFOLD BASE ACCORDING TO VDMA 24345

Port size	Side ports
G1/2"	HM-B3A-C

End plate kit: HM-B3A-D.

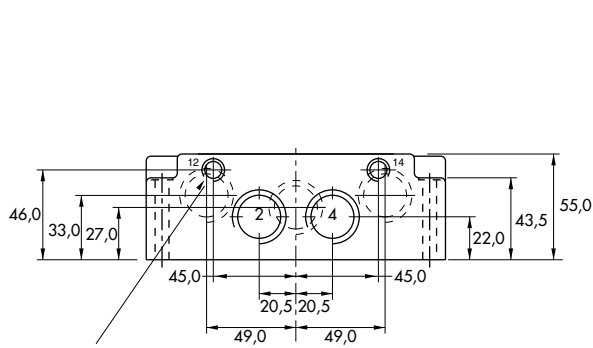
Manifold fastening kit: N-P3003-01.
 Valve blanking plate: M-P3001.
 Inlet/exhaust isolator plug: 32845.

DIMENSIONS

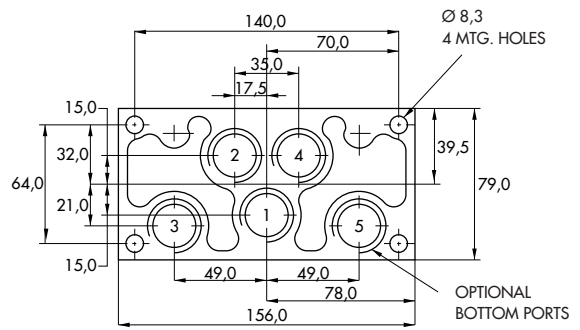
Dimensions shown are metric (mm)

Individual

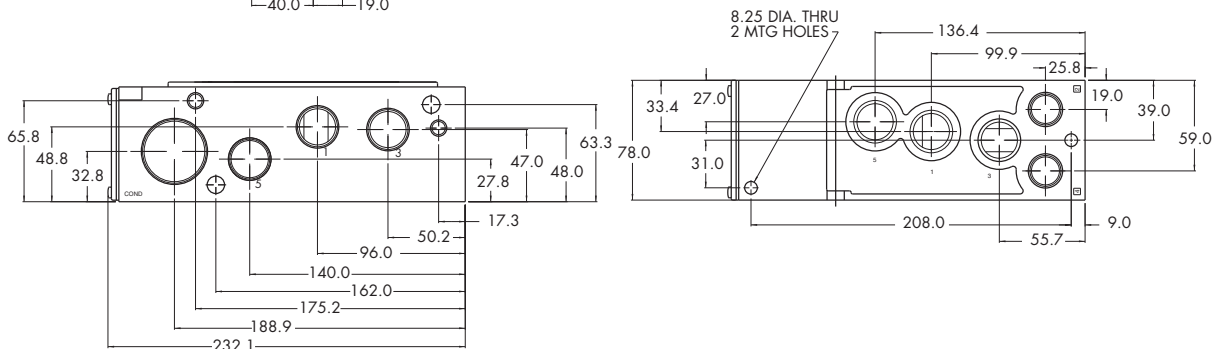
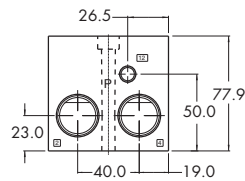
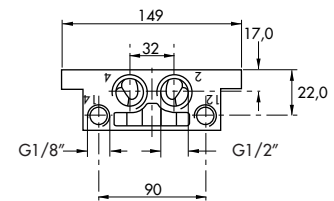
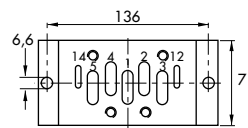
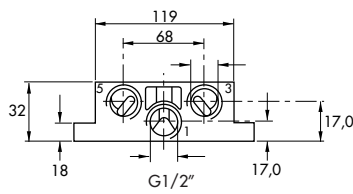
ISO DIN 5599/1



G1/8" EXTERNAL PILOT/
REMOTE AIR PILOT PORT (2 PLACES)



Manifold





Series

Plug-in base / manifold

- ISO 01
- ISO 02
- ISO 1
- ISO 2
- ISO 3**



HOW TO ORDER

INDIVIDUAL BASE

Port size	Wired for	Side ports	Side ports w/ bottom 2 & 4 ports	All side & bottom ports
G1/2"	Single solenoid	MB-P3A-121-A	MB-P3A-122-A	MB-P3A-123-A
	Double solenoid	MB-P3A-121-B	MB-P3A-122-B	MB-P3A-123-B
G3/4"	Single solenoid	MB-P3A-131-A	MB-P3A-132-A	MB-P3A-133-A
	Double solenoid	MB-P3A-131-B	MB-P3A-132-B	MB-P3A-133-B

MANIFOLD BASE

Port size	Wired for	Side ports	Side ports w/ bottom 2 & 4 ports	All side & bottom ports (see note)
G1/2"	Single solenoid	MM-P3A-121-A	MM-P3A-122-A	MM-P3A-123-A
	Double solenoid	MM-P3A-121-B	MM-P3A-122-B	MM-P3A-123-B
G3/4"	Single solenoid	MM-P3A-131-A	MM-P3A-132-A	MM-P3A-133-A
	Double solenoid	MM-P3A-131-B	MM-P3A-132-B	MM-P3A-133-B

Note : Ports 1,3, and 5 are always 3/4".

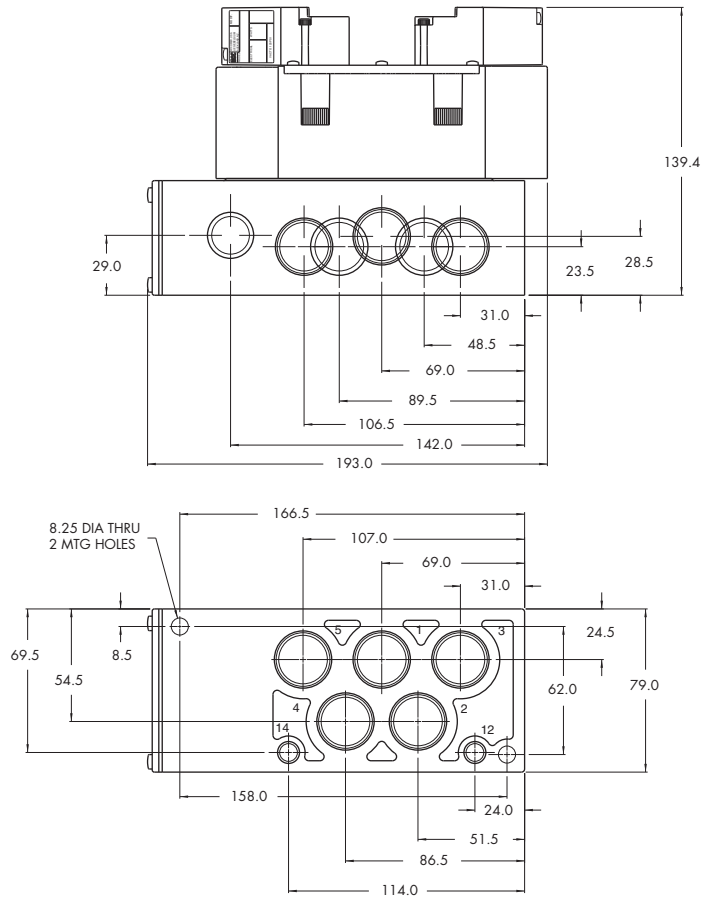
OPTIONS

- Manifold options :
- External pilot **MM-P3A-12x-xx**
 - 32 for 1/2" port – common external pilot
 - 33 for 3/4" port – common external pilot
 - Terminal strip **MM-P3A-xxx-A**
 - J wired for sgl solenoid
 - K wired for double solenoid
 - Base / Manifold option: light(s) **MX-P3A-xxx-xJA**
 - JA 110/120 volt
 - JB 220/240 volt
 - DA 24 volt

- Accessories: M-P3001 Valve blanking plate.
 N-P3003-01 Manifold fastening kit.
 32845 Inlet/exhaust isolator plug.

DIMENSIONS

Dimensions shown are metric (mm)





Section 4

Pressure regulators



Sandwich pressure regulators with manual adjust knob	P. 323
Sandwich pressure regulator with manual adjust knob	P. 325
Sandwich pressure regulator with manual adjust knob	P. 327
Sandwich pressure regulator	P. 329
Sandwich pressure regulator with manual adjust knob	P. 331
Sandwich pressure regulator with manual adjust knob	P. 333
Sandwich pressure regulator with air pilot adjust	P. 335
Sandwich selector pressure regulator with manual adjust knob	P. 337
Sandwich pressure regulator with manual adjust knob	P. 339
Sandwich pressure regulator with air pilot adjust	P. 341
Sandwich selector pressure regulator with manual adjust knob	P. 343
Sandwich pressure regulator with manual adjust knob	P. 345
Non plug-in sandwich pressure regulator with manual adjust	P. 347
Non plug-in sandwich pressure regulator with air pilot adjust	P. 349
Plug-in sandwich pressure regulator with manual adjust	P. 351
Plug-in sandwich pressure regulator with air pilot adjust	P. 353
Non plug-in sandwich pressure regulator with manual adjust	P. 355
Plug-in sandwich pressure regulator with manual adjust	P. 357
Non plug-in sandwich pressure regulator with manual adjust knob	P. 359
Non plug-in sandwich pressure regulator with air pilot adjust	P. 361
Plug-in sandwich pressure regulator with manual adjust knob	P. 363
Plug-in sandwich pressure regulator with air pilot adjust	P. 365
Non plug-in sandwich pressure regulator with manual adjust knob	P. 367
Non plug-in sandwich pressure regulator with air pilot adjust	P. 369
Plug-in sandwich pressure regulator with manual adjust knob	P. 371
Plug-in sandwich pressure regulator with air pilot adjust	P. 373
Non plug-in sandwich pressure regulator with manual adjust knob	P. 375
Non plug-in sandwich pressure regulator with air pilot adjust	P. 377
Plug-in sandwich pressure regulator with manual adjust knob	P. 379
Plug-in sandwich pressure regulator with air pilot adjust	P. 381

PR24A

PR37A

PR42B

PR46A

PR47A

PR48B

PR92C

PR93A

PRA01A

PRP01A

PRA02A

PRP02A

PRA1A

PRP1A

PRA2D

PRA2B

PRA3C

PRP3B

Sandwich pressure regulators with manual adjust knob

OPERATIONAL BENEFITS

1. Easy mounting: saves on installation costs in comparison with inline regulators
2. Compact all-included units.
3. Large orifice provides high flow
4. Various functions available
5. Simple, reliable and solid design



PR24A

PR37A

PR42B

PR46A

PR47A

PR48B

PR92C

HOW TO ORDER

NON PLUG-IN SANDWICH REGULATORS

Gauge	Single pressure - Regulator "12" end	Dual pressure* - Regulator both ends
No gauge port	PR42B-BAAA	PR42B-BCAA
With gauge Port	PR42B-BBAA	PR42B-BDAA

PR93A

PLUG-IN SANDWICH REGULATORS (WITH GAGE PORT)

Single pressure Regulator "12" end Internal pilot	Single pressure Regulator "12" end External pilot
PR24A-AAAA	PR24A-ABAA

PRA01A

PRP01A

PRA02A

PRP02A

PRA1A

PRP1A

PRA2D

PRA2B

PRA3C

PRP3B

* For use with dual pressure valves.

OPTIONS

Pressure range :

PR24A-xxxX	
A	0 to 8 bar
B	0 to 5,3 bar
C	0 to 2,7 bar

Notes:

- External pilot regulator required only when supply pressure (primary) to the valve is below the minimum operating pressure of the 24 series valve.
- When an internal pilot regulator is used with the 24 series valve, the valve should be ordered as external pilot. This ensures that the pilot supply is not regulated. If an internal pilot valve is used with an internal pilot regulator, the pilot supply is regulated.

TECHNICAL DATA

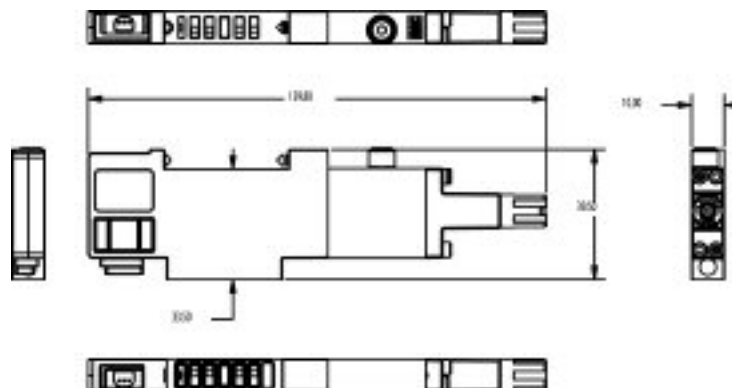
Fluid :	Compressed air, inert gases
Pressure range :	0 to 8 bar
Regulating range :	0 to 8 bar
Lubrication :	Not required, if used select a medium aniline point lubricant (between 80°C and 100°C)
Filtration :	40 µ
Coil :	Class A (#26 AWG x 18), continuous duty
Temperature range :	0°F to 120°F / -18°C to +50°C

- Spare parts :
- Gage Kit No coupling: N-42004-01
With short coupling: N-42004-02 (required with double solenoid valve)
With long coupling: N-42004-03 (required with double solenoid valve)
 - Sandwich flow control Plug-in with flow control on same end: FC24A-AB
Non plug-in with flow control on same end: FC24A-BB
Non plug-in with flow control on each end: FC24A-CA

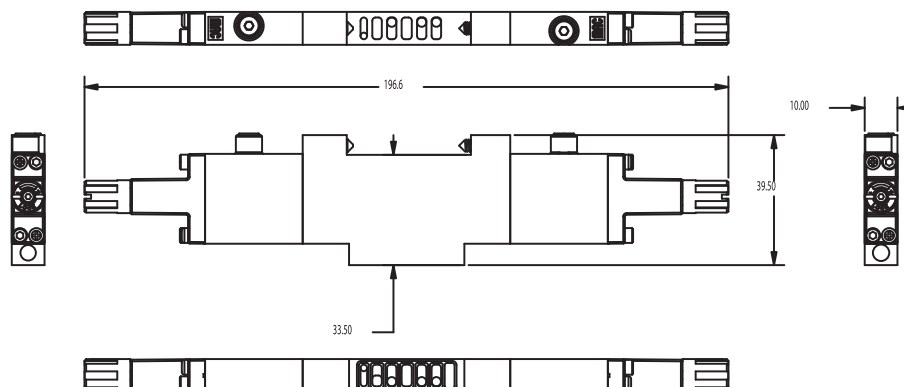
DIMENSIONS

Dimensions shown are metric (mm)

Single regulator



Double regulator



Sandwich pressure regulator with manual adjust knob

OPERATIONAL BENEFITS

1. Easy mounting: saves on installation costs in comparison with inline regulators.
2. Compact all-included units.
3. Large orifice provides high flow.
4. Various functions available.
5. Simple, reliable and solid design.



PR24A
PR37A
PR42B
PR46A
PR47A
PR48B

HOW TO ORDER

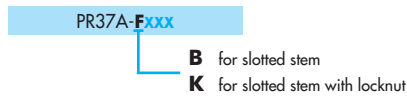
REGULATORS FOR "NON PLUG-IN" VALVES (CODED FOR KNOB ADJUSTMENT)

Gauge	Single pressure
No gauge port	PR37A-FAAA
With gauge Port (plugged)	PR37A-FABA

Note: Regulating pressure range for above models is 0 to 8 bar
 For other ranges, see technical data page.

OPTIONS

Adjustment :



Pressure range :



PR92C

PR93A

PRA01A

PRP01A
PRA02A
PRP02A

PRA1A

PRP1A

PRA2D

PRA2B

PRA3C

PRP3B

TECHNICAL DATA

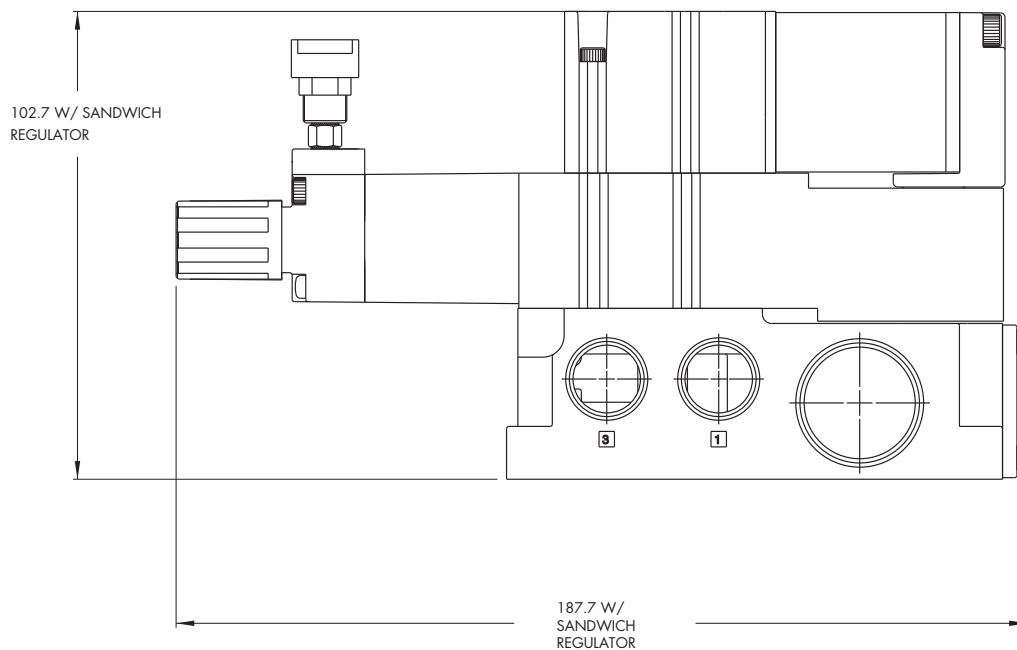
Fluid :	Compressed air, inert gases
Pressure range :	0 to 8 bar
Regulating range :	0 to 8 bar
Lubrication :	Not required, if used select a medium aniline point lubricant (between 80°C and 100°C)
Filtration :	40 µ
Temperature range :	-18°C to +50°C
Flow (at 6 bar, ΔP=1bar)	400 NI/min (Cv 0.4)

Spare parts :

- Pressure regulator (less sandwich block) : PR37A-G0AA (knob), PR37A-C0AA (slotted stem), PR37A-L0AA (slotted stem with locknut)
- Gauges : 24177-160 (0 to 10,7 bar, 23 mm)
24177-100 (0 to 6,7 bar, 23 mm)
24177-060 (0 to 4 bar, 23 mm)

DIMENSIONS

Dimensions shown are metric (mm)



Sandwich pressure regulator with manual adjust knob

OPERATIONAL BENEFITS

1. Easy mounting: saves on installation costs in comparison with inline regulators.
2. Compact all-included units.
3. Large orifice provides high flow.
4. Various functions available.
5. Simple, reliable and solid design.



PR24A
PR37A
PR42B
PR46A
PR47A
PR48B

PR92C

HOW TO ORDER

NON PLUG-IN SANDWICH REGULATORS

Gauge	Regulator "12" end Internal pilot	Regulator "12" end External pilot
No gauge port	PR42B-BAAA	PR42B-BBAA
With gauge Port	PR42B-BABA	PR42B-BBBA

PR93A

PLUG-IN SANDWICH REGULATORS

Gauge	Regulator "12" end Internal pilot	Regulator "12" end External pilot
No gauge port	PR42B-AAAA	PR42B-ABAA
With gauge Port	PR42B-AAABA	PR42B-ABBA

PRA01A

PRP01A

PRA02A

PRP02A

PRA1A

PRP1A

PRA2D

PRA2B

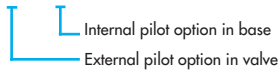
PRA3C

PRP3B

Notes:

- External pilot regulator required only when supply pressure (primary) to the valve is below the minimum operating pressure of the 42 series valve.
- When an internal pilot regulator is used with the 42 series valve, the valve should be ordered as external pilot and the base should be ordered as internal pilot. This ensures that the pilot supply is not regulated. If an internal pilot valve and base are used with an internal pilot regulator, the pilot supply is regulated.

Example: Valve 42B-AM D -AA A -GxxP-xxx with PR42B-AAAA



OPTIONS

Pressure range :

PR42B-AAAA
A 0 to 8 bar
B 0 to 5,3 bar
C 0 to 2,7 bar

TECHNICAL DATA

Fluid :	Compressed air, inert gases
Pressure range :	0 to 8 bar
Regulating range :	0 to 8 bar
Lubrication :	Not required, if used select a medium aniline point lubricant (between 80°C and 100°C)
Filtration :	40 µ
Temperature range :	-18°C to +50°C
Flow (at 6 bar, ΔP=1bar) :	250 NI/min (Cv 0,25)

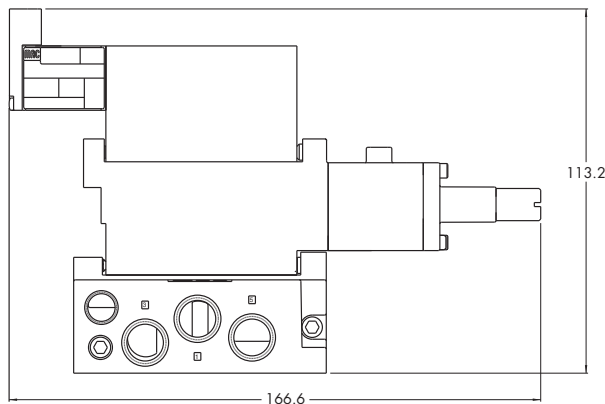
Spare parts :

- Pressure regulator (less sandwich block) : PR42B-C0xx • Gauge port plug: N-PE003
- M5 to 1/8" adapter : N-35005 • Gauge: 24177-160 (0 to 10,7 bar, 23 mm)
24177-100 (0 to 6,7 bar, 23 mm)
24177-060 (0 to 4 bar, 23 mm)

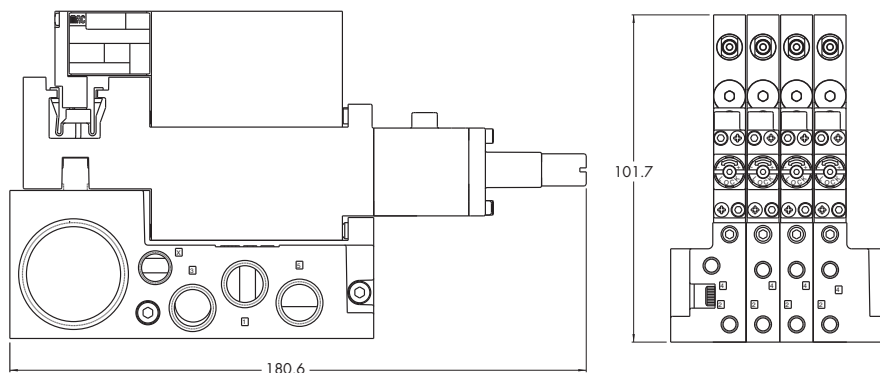
DIMENSIONS

Dimensions shown are metric (mm)

NON PLUG-IN



PLUG-IN



Sandwich-pressure regulator

OPERATIONAL BENEFITS

1. Easy mounting: saves on installation costs in comparison with inline regulators.
2. Compact all included units.
3. Large orifice provides high flow.
4. Various functions available.
5. Simple, reliable and solid design.
6. Single pressure regulator.



PR24A
PR37A
PR42B
PR46A
PR47A
PR48B

PR92C

HOW TO ORDER

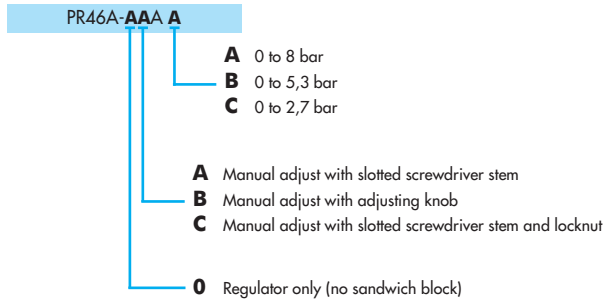
REGULATORS FOR "PLUG-IN" AND "NON PLUG-IN" VALVES

Gauge	For plug-in valves	For non plug-in valves
Gauge port (plugged)	PR46A-AAAA	PR46A-BAAA

PR93A

OPTIONS

Pressure range :



PRA01A

PRP01A

PRA02A

PRP02A

PRA1A

PRP1A

PRA2D

PRA2B

PRA3C

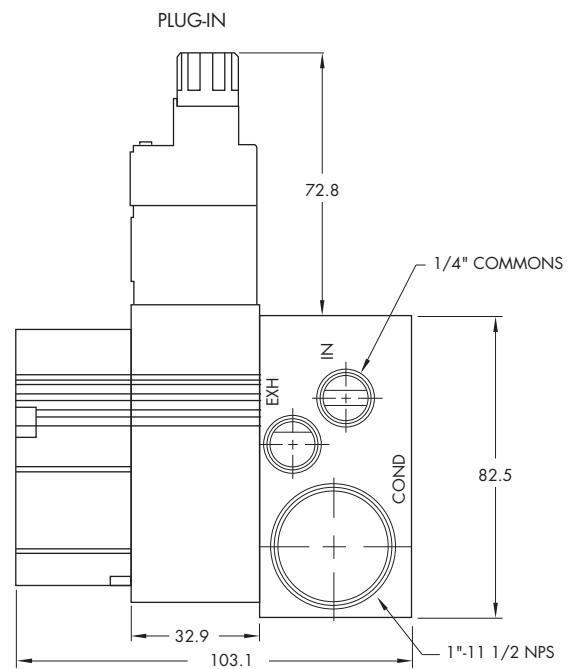
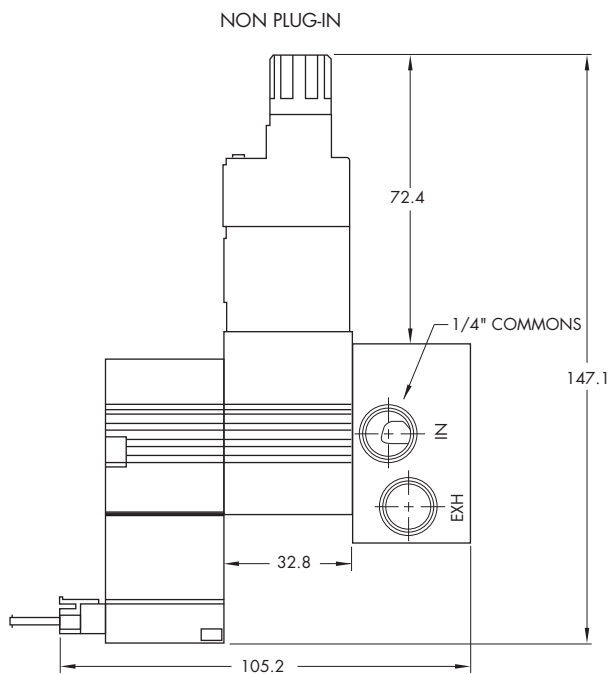
PRP3B

TECHNICAL DATA

Fluid :	Compressed air, inert gases
Pressure range :	0 to 8 bar
Regulating range :	0 to 8 bar
Lubrication :	Not required, if used select a medium aniline point lubricant (between 80°C and 100°C)
Filtration :	40 µ
Temperature range :	-18°C to +50°C
Flow :	210 NL/min (Cv 0,21)

DIMENSIONS

Dimensions shown are metric (mm)



Sandwich pressure regulator with manual adjust knob

OPERATIONAL BENEFITS

1. Easy mounting: saves on installation costs in comparison with inline regulators.
2. Compact all-included units.
3. Large orifice provides high flow.
4. Various functions available.
5. Simple, reliable and solid design.



PR24A
PR37A
PR42B
PR46A
PR47A
PR48B

PR92C

HOW TO ORDER

REGULATORS FOR "PLUG-IN" VALVES (KNOB ADJUSTMENT)

Gauge	Single pressure
No gauge port	PR47A-EAAA
With gauge Port	PR47A-EABA

PR93A

REGULATORS FOR "NON PLUG-IN" VALVES (KNOB ADJUSTMENT)

Gauge	Single pressure
No Gauge port	PR47A-FAAA
With Gauge Port	PR47A-FABA

PRA01A

PRP01A

OPTIONS

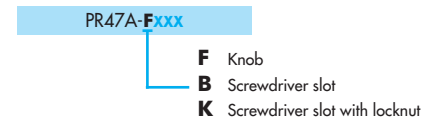
Pressure range :



Adjustment for : Plug-in regulator



Non plug-in regulator



PRA02A
PRP02A

PRA1A

PRP1A

PRA2D

PRA2B

PRA3C

PRP3B

TECHNICAL DATA

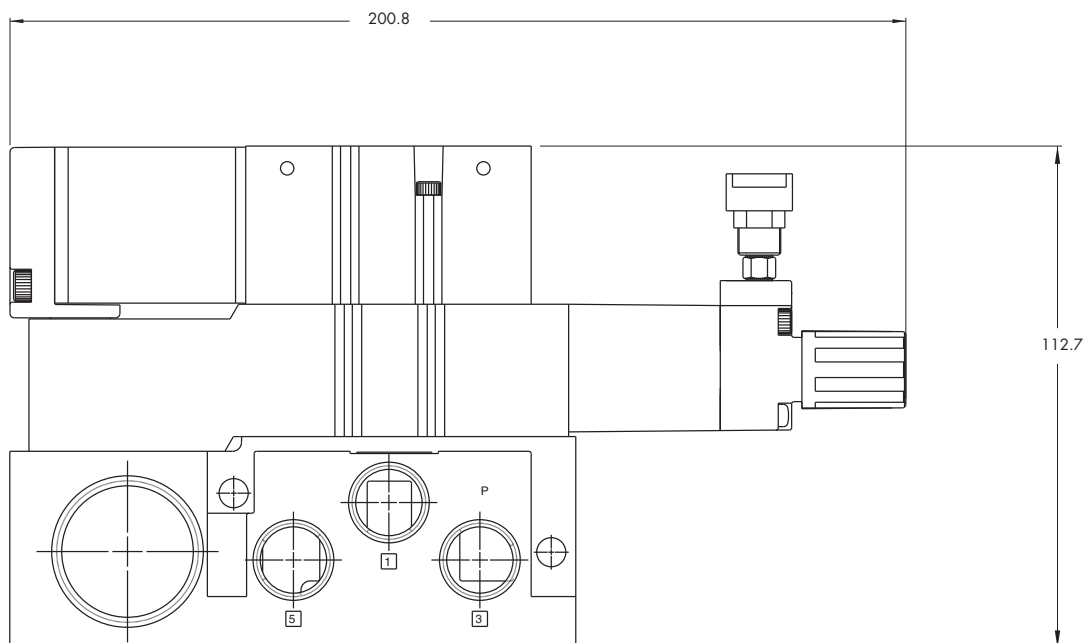
Fluid :	Compressed air, inert gases
Pressure range :	0 to 8 bar
Regulating range :	0 to 8 bar
Lubrication :	Not required, if used select a medium aniline point lubricant (between 80°C and 100°C)
Filtration :	40 µ
Temperature range :	-18°C to +50°C
Flow (at 6 bar, ΔP=1bar):	400 Nl/min (Cv 0.4)

Spare parts :

- Pressure regulator (less sandwich block) : PR47A-G0xx (knob), PR47A-C0xx (screwdriver slot), PR47A-L0xx (screwdriver slot with locknut)
- Gauge: 24177-160 (0 to 10,7 bar, 23 mm)
24177-100 (0 to 6,7 bar, 23 mm)
24177-060 (0 to 4 bar, 23 mm)

DIMENSIONS

Dimensions shown are metric (mm)



Sandwich pressure regulator with manual adjust knob

OPERATIONAL BENEFITS

1. Easy mounting: saves on installation costs in comparison with inline regulators.
2. Compact all-included units.
3. Large orifice provides high flow.
4. Various functions available.
5. Simple, reliable and solid design.



PR24A
PR37A
PR42B
PR46A
PR47A
PR48B

PR92C

HOW TO ORDER

NON PLUG-IN SANDWICH REGULATORS (KNOB ADJUSTMENT)

Gauge	Regulator "12" end Internal pilot	Regulator "12" end External pilot
Gauge port	PR48B-BAAA	PR48B-BBAA

PR93A

PLUG-IN SANDWICH REGULATORS (KNOB ADJUSTMENT)

Gauge	Regulator "12" end Internal pilot	Regulator "12" end External pilot
Gauge port	PR48B-AAAA	PR48B-ABAA

PRA01A

PRP01A

PRA02A
PRP02A

PRA1A

PRP1A

PRA2D

PRA2B

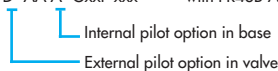
PRA3C

PRP3B

Notes:

- External pilot regulator required only when supply pressure (primary) to the valve is below the minimum operating pressure of the 48 series valve.
- When an internal pilot regulator is used with the 48 series valve, the valve should be ordered as external pilot and the base should be ordered as internal pilot. This ensures that the pilot supply is not regulated. If an internal pilot valve and base are used with an internal pilot regulator, the pilot supply is regulated.

Example: Valve 48B-AM D-AA A-GxxP-xxx with PR48B-AAAA

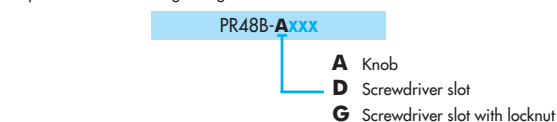


OPTIONS

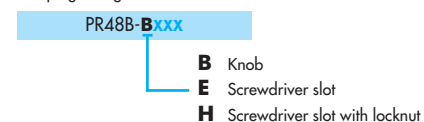
Pressure range :



Adjustment for : Plug-in regulator



Non plug-in regulator



TECHNICAL DATA

Fluid :	Compressed air, inert gases
Pressure range :	0 to 8 bar
Regulating range :	0 to 8 bar
Lubrication :	Not required, if used select a medium aniline point lubricant (between 80°C and 100°C)
Filtration :	40 µ
Temperature range :	-18°C to +50°C
Flow (at 6 bar, ΔP=1bar) :	800 NI/min (Cv 0,8)

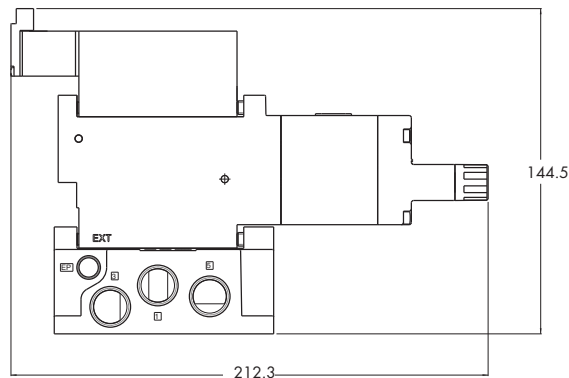
Spare parts :

- Pressure regulator (less sandwich block) : PR48B-C0xx (knob), PR48B-F0xx (screwdriver slot), PR48B-J0xx (screwdriver slot with locknut)
- Gauge: 24177-160 (0 to 10,7 bar, 23 mm)
24177-100 (0 to 6,7 bar, 23 mm)
24177-060 (0 to 4 bar, 23 mm)

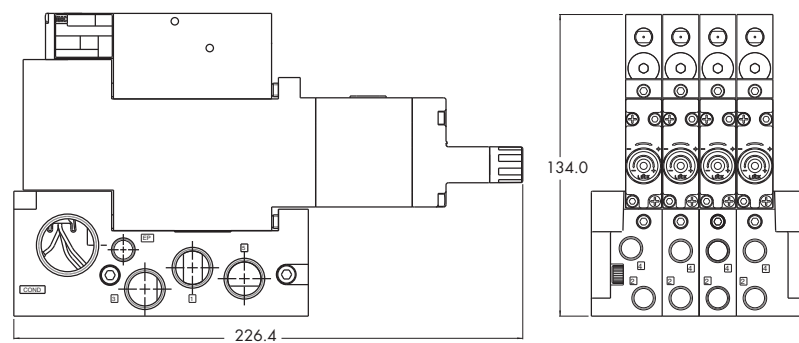
DIMENSIONS

Dimensions shown are metric (mm)

NON PLUG-IN



PLUG-IN



Sandwich pressure regulator with air pilot adjust

OPERATIONAL BENEFITS

1. Easy mounting: saves on installation costs in comparison with inline regulators.
2. Compact all-included units.
3. Large orifice provides high flow.
4. Various functions available.
5. Simple, reliable and solid design.



PR24A
PR37A
PR42B
PR46A
PR47A
PR48B

PR92C

HOW TO ORDER

REGULATORS FOR "PLUG-IN" VALVES

Gauge	Regulator A end Single pressure	Regulator B end Single pressure	Regulator A * end with by-pass end plate B end	Regulator B* end with by-pass end plate A end	Regulator * both ends
Gauge port only (plugged)	PR92C-EAAA	PR92C-EBAA	PR92C-ECAA	PR92C-EDAA	PR92C-EEAA
Gauge with face perpendicular to manual operator	PR92C-EABA	PR92C-EBBA	PR92C-ECBA	PR92C-EDBA	PR92C-EEBA
Gauge with face parallel to manual operator	PR92C-EACA	PR92C-EBCA	PR92C-ECCA	PR92C-EDCA	PR92C-EECA

PR93A

PRA01A

PRP01A

Note: above models are coded for use with single solenoid valves

REGULATORS FOR "NON PLUG-IN" VALVES

Gauge	Regulator A end Single pressure	Regulator B end Single pressure	Regulator A * end with by-pass end plate B end	Regulator B* end with by-pass end plate A end	Regulator * both ends
Gauge port only (plugged)	PR92C-GAAA	PR92C-GBAA	PR92C-GCAA	PR92C-GDAA	PR92C-GEAA
Gauge with face perpendicular to manual operator	PR92C-GABA	PR92C-GBBA	PR92C-GCBA	PR92C-GDBA	PR92C-GEBA
Gauge with face parallel to manual operator	PR92C-GACA	PR92C-GBCA	PR92C-GCCA	PR92C-GDCA	PR92C-GECA

PRA02A

PRP02A

PRA1A

PRP1A

PRA2D

* For use with dual pressure valves.

PRA2B

PLUG-IN OPTIONS

PR92C-Exxx

— **F** for double solenoid valve

PRA3C

PRP3B

TECHNICAL DATA

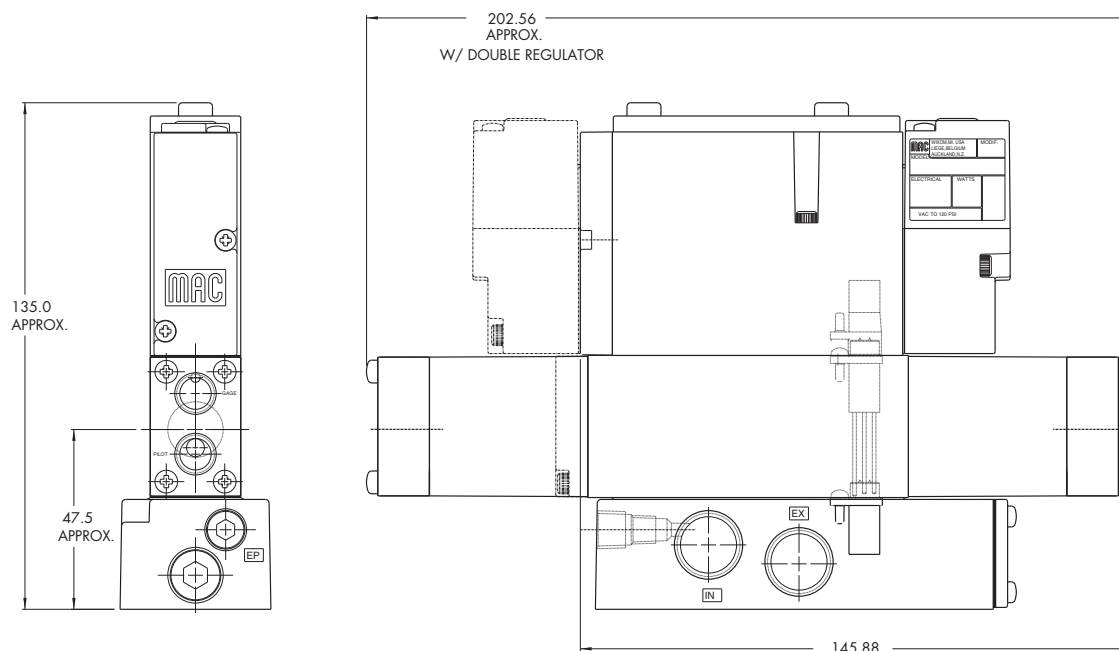
Fluid :	Compressed air, inert gases
Pressure range :	0 to 8 bar
Regulating range :	0 to 8 bar
Lubrication :	Not required, if used select a medium aniline point lubricant (between 80°C and 100°C)
Filtration :	40 µ
Temperature range :	-18°C to +50°C
Flow (at 6 bar, ΔP=1bar) :	800 NI/min (Cv 0.8)

Spare parts :

- R-92003 : regulator end plate kit • Gauge kit 0 - 10,7 bar: N-92006-01
- R-92003-01 : regulator by-pass end plate kit
- Pressure regulator (less sandwich block) : PR92C-H0AA

DIMENSIONS

Dimensions shown are metric (mm)



Sandwich selector pressure regulator with manual adjust knob

OPERATIONAL BENEFITS

1. Easy mounting: saves on installation costs in comparison with inline regulators.
2. Compact all-included units.
3. Large orifice provides high flow.
4. Various functions available.
5. Simple, reliable and solid design.



PR24A
PR37A
PR42B
PR46A
PR47A
PR48B

PR92C

HOW TO ORDER

REGULATORS FOR "PLUG-IN" VALVES (CODED FOR KNOB ADJUSTMENT)

Gauge	Select to A port Regulator A end By-pass plate B end	Select to B port Regulator B end By-pass plate A end	Select to A port Reg. both ends A end low press. B end high press.	Select to B port Reg. both ends A end high press. B end low press.
No Gauge	PR92C-JPAA	PR92C-JRAA	PR92C-JSAA	PR92C-JTAA
Gauge with face perpendicular to manual operator	PR92C-JPBA	PR92C-JRBA	PR92C-JSBA	PR92C-JTBA
Gauge with face parallel to manual operator	PR92C-JPCA	PR92C-JRCA	PR92C-JSCA	PR92C-JTCA

PR93A

PRA01A

PRP01A

Note: above models are coded for use with single solenoid valves

REGULATORS FOR "NON PLUG-IN" VALVES (CODED FOR KNOB ADJUSTMENT)

Gauge	Select to A port Regulator A end By-pass plate B end	Select to B port Regulator B end By-pass plate A end	Select to A port Reg. both ends A end low press. B end high press.	Select to B port Reg. both ends A end high press. B end low press.
No Gauge	PR92C-LPAA	PR92C-LRAA	PR92C-LSAA	PR92C-LTAA
Gauge with face perpendicular to manual operator	PR92C-LPBA	PR92C-LRBA	PR92C-LSBA	PR92C-LTBA
Gauge with face parallel to manual operator	PR92C-LPCA	PR92C-LRCA	PR92C-LSCA	PR92C-LTCA

PRA02A

PRP02A

PRA1A

PRP1A

PRA2D

Notes: - Regulating range for above models is 0 to 8 bar. For other ranges, see technical data page
- Use single pressure valve for all above models.

PRA2B

OPTIONS

Regulator less sandwich block

PR92C-**X**0xx

- M** Knob
- D** Slotted stem
- S** Slotted stem with locknut

Other adjustment

PR92C-**XXXX**

- A** Slotted stem, single solenoid
- B** Slotted stem, double solenoid
- C** Slotted stem, non plug-in
- K** Knob, double solenoid
- N** Slotted stem w/ locknut, single solenoid
- P** Slotted stem w/ locknut, double solenoid
- R** Slotted stem w/ locknut, non plug-in

PRA3C

PRP3B

TECHNICAL DATA

Fluid :	Compressed air, inert gases
Pressure range :	0 to 8 bar
Regulating range :	0 to 8 bar
Lubrication :	Not required, if used select a medium aniline point lubricant (between 80°C and 100°C)
Filtration :	40 µ
Temperature range :	-18°C to +50°C
Flow (at 6 bar, ΔP=1bar):	800 NI/min (Cv 0.8)

Spare parts :

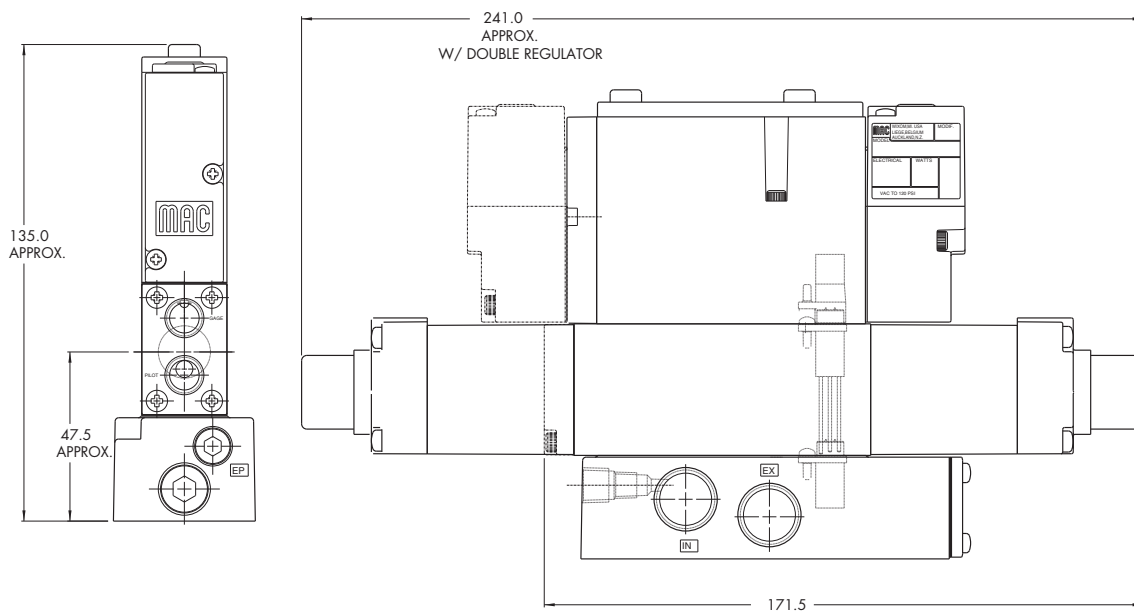
- R-92003 : end plate kit • R-92003-01 : by-pass end plate kit
- Gauge kit 0 – 10,7 bar: N-92006-01 • Gauge kit 0 – 6,7 bar: N-92006-02
- Gauge kit 0-4 bar: N-92006-03

Options:

- Pressure range: PR92C-xxxA (A 0 to 8 bar)
 - B 0 to 5,3 bar
 - C 0 to 2 bar
 - D 0 to 8 bar "A" end, 0 to 5,3 bar "B" end
 - E 0 to 8 bar "B" end, 0 to 5,3 bar "A" end
 - F 0 to 8 bar "A" end, 0 to 2 bar "B" end
 - G 0 to 8 bar "B" end, 0 to 2 bar "A" end
 - H 0 to 5,3 bar "A" end, 0 to 2 bar "B" end
 - J 0 to 5,3 bar "B" end, 0 to 2 bar "A" end

DIMENSIONS

Dimensions shown are metric (mm)



Sandwich pressure regulator with manual adjust knob

OPERATIONAL BENEFITS

1. Easy mounting: saves on installation costs in comparison with inline regulators.
2. Compact all-included units.
3. Large orifice provides high flow.
4. Various functions available.
5. Simple, reliable and solid design.



PR24A
PR37A
PR42B
PR46A
PR47A
PR48B

PR92C

HOW TO ORDER

REGULATORS FOR "PLUG-IN" VALVES

Gauge	Regulator A end Single pressure	Regulator B end Single pressure	Regulator A * end with by-pass end plate B end	Regulator B* end with by-pass end plate A end	Regulator * both ends
No Gauge	PR92C-JAAA	PR92C-JBAA	PR92C-JCAA	PR92C-JDAA	PR92C-JEAA
Gauge with face perpendicular to manual operator	PR92C-JABA	PR92C-JBBA	PR92C-JCBA	PR92C-JDBA	PR92C-JEBA
Gauge with face parallel to manual operator	PR92C-JACA	PR92C-JBCA	PR92C-JCCA	PR92C-JDCA	PR92C-JECA

PR93A

PRA01A

PRP01A

Note: above models are coded for use with single solenoid valves

REGULATORS FOR "NON PLUG-IN" VALVES

Gauge	Regulator A end Single pressure	Regulator B end Single pressure	Regulator A * end with by-pass end plate B end	Regulator B* end with by-pass end plate A end	Regulator * both ends
Gauge port only (plugged)	PR92C-LAAA	PR92C-LBAA	PR92C-LCAA	PR92C-LDAA	PR92C-LEAA
Gauge with face perpendicular to manual operator	PR92C-LABA	PR92C-LBBA	PR92C-LCBA	PR92C-LDBA	PR92C-LEBA
Gauge with face parallel to manual operator	PR92C-LACA	PR92C-LBCA	PR92C-LCCA	PR92C-LDCA	PR92C-LECA

PRA02A

PRP02A

PRA1A

PRP1A

PRA2D

* For use with dual pressure valves.

Note: Regulating range for above models is 0 to 8 bar. For other ranges, see technical data page.

OPTIONS

Regulator less sandwich block

PR92C-x0xx

- M Knob
- D Slotted stem
- S Slotted stem with locknut

Other adjustment

PR92C-xxxx

- A Slotted stem, single solenoid
- B Slotted stem, double solenoid
- C Slotted stem, non plug-in
- K Knob, double solenoid
- N Slotted stem w/ locknut, single solenoid
- P Slotted stem w/ locknut, double solenoid
- R Slotted stem w/ locknut, non plug-in

PRA2B

PRA3C

PRP3B

TECHNICAL DATA

Fluid :	Compressed air, inert gases
Pressure range :	0 to 8 bar
Regulating range :	0 to 8 bar
Lubrication :	Not required, if used select a medium aniline point lubricant (between 80°C and 100°C)
Filtration :	40 µ
Temperature range :	-18°C to +50°C
Flow (at 6 bar, ΔP=1bar):	800 Nl/min (Cv 0.8)

Spare parts :

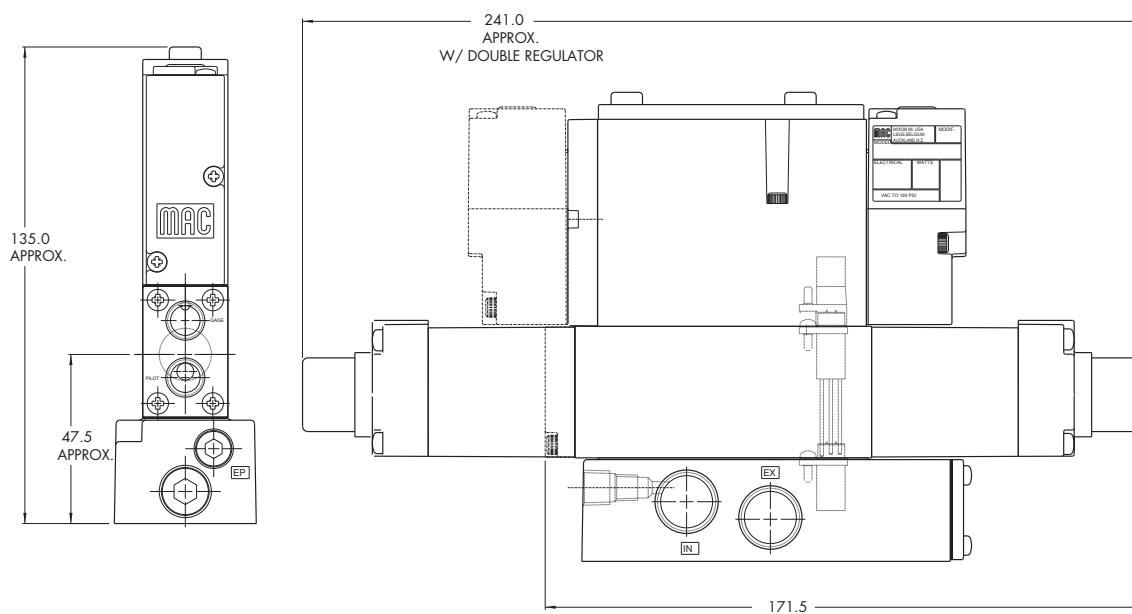
- R-92003 : end plate kit • R-92003-01 : by-pass end plate kit
- Gauge kit 0 – 10,7 bar: N-92006-01 • Gauge kit 0 – 6,7 bar: N-92006-02
- Gauge kit 0-4 bar: N-92006-03

Options :

- Pressure range: PR92C-xxxA (A 0 to 8 bar)
 - B 0 to 5,3 bar
 - C 0 to 2 bar
 - D 0 to 8 bar "A" end, 0 to 5,3 bar "B" end
 - E 0 to 8 bar "B" end, 0 to 5,3 bar "A" end
 - F 0 to 8 bar "A" end, 0 to 2 bar "B" end
 - G 0 to 8 bar "B" end, 0 to 2 bar "A" end
 - H 0 to 5,3 bar "A" end, 0 to 2 bar "B" end
 - J 0 to 5,3 bar "B" end, 0 to 2 bar "A" end

DIMENSIONS

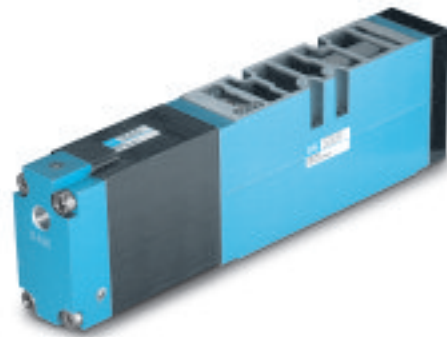
Dimensions shown are metric (mm)



Sandwich pressure regulator with air pilot adjust

OPERATIONAL BENEFITS

1. Easy mounting: saves on installation costs in comparison with inline regulators.
2. Compact all-included units.
3. Large orifice provides high flow.
4. Various functions available.
5. Simple, reliable and solid design.



PR24A
PR37A
PR42B
PR46A
PR47A
PR48B

PR92C

HOW TO ORDER

REGULATORS FOR "PLUG-IN" VALVES

Gauge	Regulator A end Single pressure	Regulator B end Single pressure	Regulator A * end with by-pass end plate B end	Regulator B* end with by-pass end plate A end	Regulator * both ends
Gauge port only (plugged)	PR93A-DAAA	PR93A-DBAA	PR93A-DCAA	PR93A-DDAA	PR93A-DEAA
Gauge with face perpendicular to manual operator	PR93A-DABA	PR93A-DBBA	PR93A-DCBA	PR93A-DDBA	PR93A-DEBA
Gauge with face parallel to manual operator	PR93A-DACA	PR93A-DBCA	PR93A-DCCA	PR93A-DDCA	PR93A-DECA

PR93A

PRA01A

PRP01A

Note: above models are coded for use with single solenoid valves.

REGULATORS FOR "NON PLUG-IN" VALVES

Gauge	Regulator A end Single pressure	Regulator B end Single pressure	Regulator A * end with by-pass end plate B end	Regulator B* end with by-pass end plate A end	Regulator * both ends
Gauge port only (plugged)	PR93A-EAAA	PR93A-EBAA	PR93A-ECAA	PR93A-EDAA	PR93A-EEAA
Gauge with face perpendicular to manual operator	PR93A-EABA	PR93A-EBBA	PR93A-ECBA	PR93A-EDBA	PR93A-EEBA
Gauge with face parallel to manual operator	PR93A-EACA	PR93A-EBCA	PR93A-ECCA	PR93A-EDCA	PR93A-EECA

PRA02A
PRP02A

PRA1A

PRP1A

PRA2D

PRA2B

PRA3C

PRP3B

Note: Above models may be used with either single or double solenoid valves.
* For use with dual pressure valves.

TECHNICAL DATA

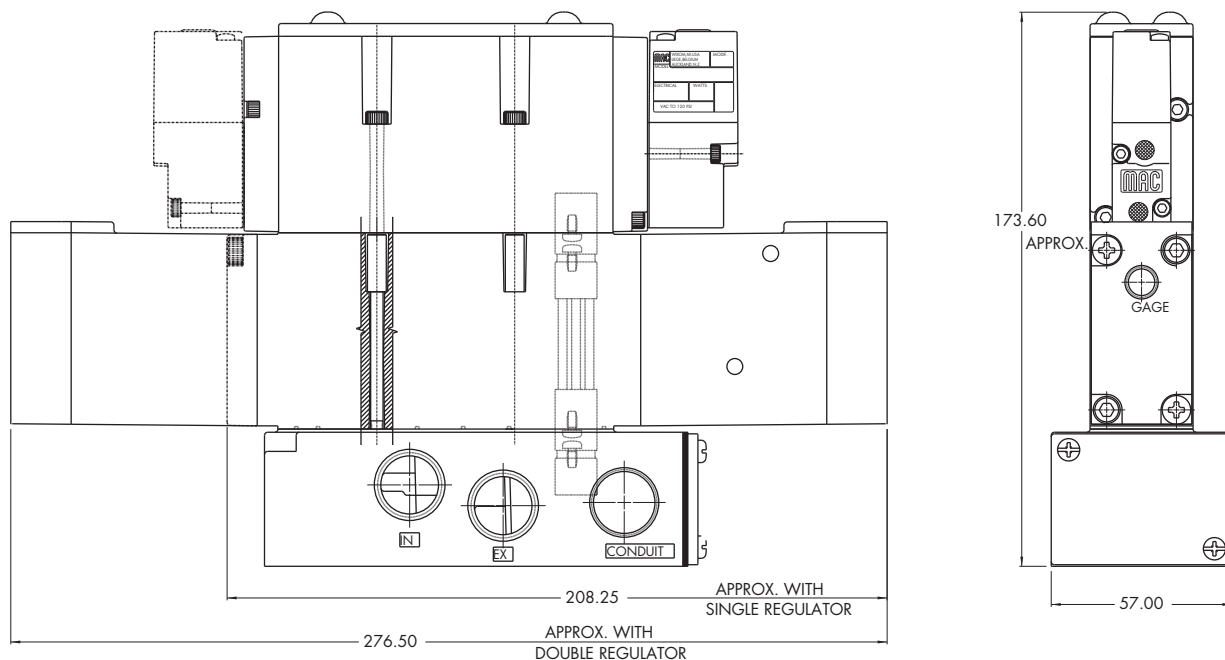
Fluid :	Compressed air, inert gases
Pressure range :	0 to 8 bar
Regulating range :	0 to 8 bar
Lubrication :	Not required, if used select a medium aniline point lubricant (between 80°C and 100°C)
Filtration :	40 µ
Temperature range :	-18°C to +50°C
Flow (at 6 bar, ΔP=1bar) :	2400 NI/min (Cv 2.4)

Spare parts :

- Regulator end plate kit: R-93004 • Regulator by-pass end plate kit: R-93004-01
- Gauge kit: N-92006-01 (0 to 10,7 bar)
- Pressure regulator (less sandwich block): PR93A.FOAA

DIMENSIONS

Dimensions shown are metric (mm)



Sandwich selector pressure regulator with manual adjust knob

OPERATIONAL BENEFITS

1. Easy mounting: saves on installation costs in comparison with inline regulators.
2. Compact all-included units.
3. Large orifice provides high flow.
4. Various functions available.
5. Simple, reliable and solid design.



PR24A
PR37A
PR42B
PR46A
PR47A
PR48B

PR92C

HOW TO ORDER

REGULATORS FOR "PLUG-IN" VALVES (CODED FOR KNOB ADJUSTMENT)

Gauge	Select to A port Regulator A end By-pass plate B end	Select to B port Regulator B end By-pass plate A end	Select to A port Reg. both ends A end low press. B end high press.	Select to B port Reg. both ends A end high press. B end low press.
Gauge port only (plugged)	PR93A-GPAA	PR93A-GRAA	PR93A-GSAA	PR93A-GTAA
Gauge with face perpendicular to manual operator	PR93A-GPBA	PR93A-GRBA	PR93A-GSBA	PR93A-GTBA
Gauge with face parallel to manual operator	PR93A-GPCA	PR93A-GRCA	PR93A-GSCA	PR93A-GTCA

PR93A

PRA01A

PRP01A

REGULATORS FOR "NON PLUG-IN" VALVES

Gauge	Select to A port Regulator A end By-pass plate B end	Select to B port Regulator B end By-pass plate A end	Select to A port Reg. both ends A end low press. B end high press.	Select to B port Reg. both ends A end high press. B end low press.
Gauge port only (plugged)	PR93A-HPAA	PR93A-HRAA	PR93A-HSAA	PR93A-HTAA
Gauge with face perpendicular to manual operator	PR93A-HPBA	PR93A-HRBA	PR93A-HSBA	PR93A-HTBA
Gauge with face parallel to manual operator	PR93A-HPCA	PR93A-HRCA	PR93A-HSCA	PR93A-HTCA

PRA02A
PRP02A

PRA1A

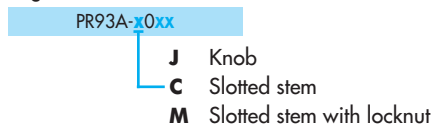
PRP1A

PRA2D

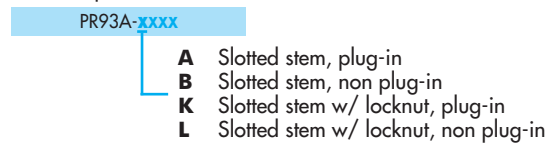
Notes: - Regulating range for above models is 0 to 8 bar. For other ranges, see technical data page
- Use single pressure valve for all above models.

OPTIONS

Regulator less sandwich block



Other adjustment



Note: Above models may be used with either single or double solenoid valves.

PRA2B

PRA3C

PRP3B

TECHNICAL DATA

Fluid :	Compressed air, inert gases
Pressure range :	0 to 8 bar
Regulating range :	0 to 8 bar
Lubrication :	Not required, if used select a medium aniline point lubricant (between 80°C and 100°C)
Filtration :	40 µ
Temperature range :	-18°C to +50°C
Flow (at 6 bar, ΔP=1bar):	2400 NI/min (Cv 2.4)

Spare parts :

- R-93004 : end plate kit • R-93004-01 : by-pass end plate kit
- Gauge kit 0 – 10,7 bar: N-92006-01 • Gauge kit 0 – 6,7 bar: N-92006-02
- Gauge kit 0-4 bar: N-92006-03

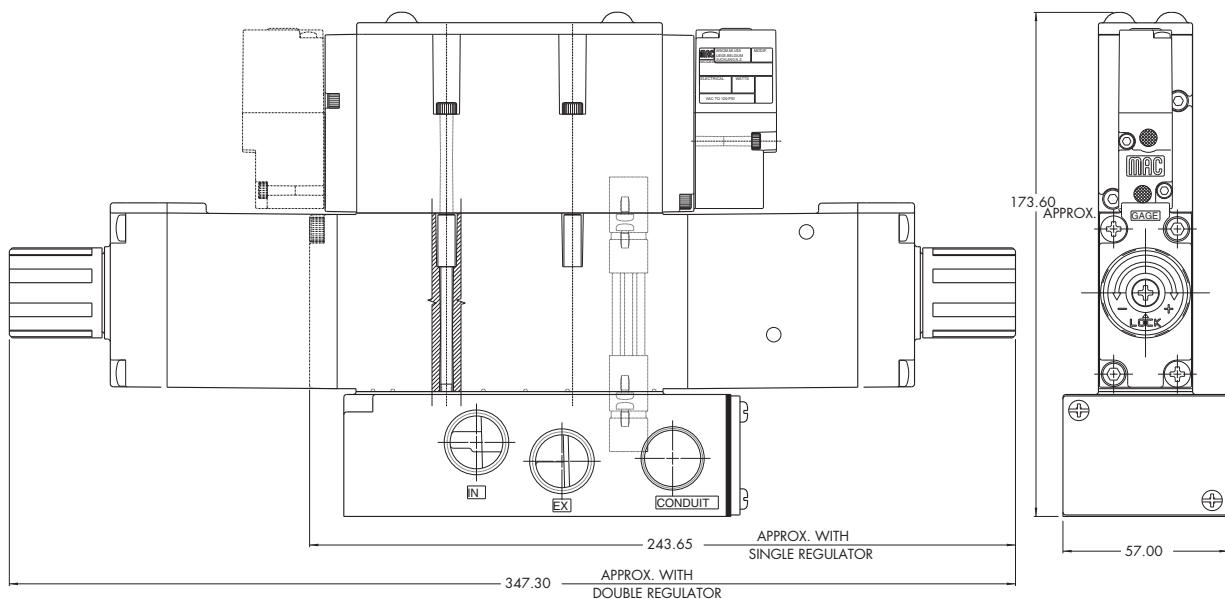
Option:

- Pressure range: PR93A-xxxA (A 0 to 8 bar)

- B 0 to 5,3 bar
- C 0 to 2 bar
- D 0 to 8 bar "A" end, 0 to 5,3 bar "B" end
- E 0 to 8 bar "B" end, 0 to 5,3 bar "A" end
- F 0 to 8 bar "A" end, 0 to 2 bar "B" end
- G 0 to 8 bar "B" end, 0 to 2 bar "A" end
- H 0 to 5,3 bar "A" end, 0 to 2 bar "B" end
- J 0 to 5,3 bar "B" end, 0 to 2 bar "A" end

DIMENSIONS

Dimensions shown are metric (mm)



Sandwich pressure regulator with manual adjust knob

OPERATIONAL BENEFITS

1. Easy mounting: saves on installation costs in comparison with inline regulators.
2. Compact all-included units.
3. Large orifice provides high flow.
4. Various functions available.
5. Simple, reliable and solid design.



PR24A
PR37A
PR42B
PR46A
PR47A
PR48B

PR92C

HOW TO ORDER

REGULATORS FOR "PLUG-IN" VALVES (CODED FOR KNOB ADJUSTMENT)

Gauge	Regulator A end Single pressure	Regulator B end Single pressure	Regulator A * end with by-pass end plate B end	Regulator B* end with by-pass end plate A end	Regulator * both ends
Gauge port only (plugged)	PR93A-GAAA	PR93A-GBAA	PR93A-GCAA	PR93A-GDAA	PR93A-GEAA
Gauge with face perpendicular to manual operator	PR93A-GABA	PR93A-GBBA	PR93A-GCBA	PR93A-GDBA	PR93A-GEBA
Gauge with face parallel to manual operator	PR93A-GACA	PR93A-GBCA	PR93A-GCCA	PR93A-GDCA	PR93A-GECA

PR93A

PRA01A

PRP01A

Note: above models are coded for use with single solenoid valves.

REGULATORS FOR "NON PLUG-IN" VALVES (CODED FOR KNOB ADJUSTMENT)

Gauge	Regulator A end Single pressure	Regulator B end Single pressure	Regulator A * end with by-pass end plate B end	Regulator B* end with by-pass end plate A end	Regulator * both ends
Gauge port only (plugged)	PR93A-HAAA	PR93A-HBAA	PR93A-HCAA	PR93A-HDAA	PR93A-HEAA
Gauge with face perpendicular to manual operator	PR93A-HABA	PR93A-HBBA	PR93A-HCBA	PR93A-HDBA	PR93A-HEBA
Gauge with face parallel to manual operator	PR93A-HACA	PR93A-HBCA	PR93A-HCCA	PR93A-HDCA	PR93A-HECA

PRA02A
PRP02A

PRA1A

PRP1A

PRA2D

* For use with dual pressure valves.

Note: Regulating range for above models is 0 to 8 bar. For other ranges, see technical data page.

OPTIONS

Regulator less sandwich block

PR93A-x0xx

- J** Knob
- C** Slotted stem
- M** Slotted stem with locknut

Other adjustment

PR93A-xxxx

- A** Slotted stem, plug-in
- B** Slotted stem, non plug-in
- K** Slotted stem w/ locknut, plug-in
- L** Slotted stem w/ locknut, non plug-in

PRA2B

PRA3C

PRP3B

Note: Above models may be used with either single or double solenoid valves.

TECHNICAL DATA

Fluid :	Compressed air, inert gases
Pressure range :	0 to 8 bar
Regulating range :	0 to 8 bar
Lubrication :	Not required, if used select a medium aniline point lubricant (between 80°C and 100°C)
Filtration :	40 µ
Temperature range :	-18°C to +50°C
Flow (at 6 bar, ΔP=1bar):	2400 NI/min (Cv 2.4)

Spare parts :

- R-93004 : end plate kit • R-93004-01 : by-pass end plate kit
- Gauge kit 0 - 10,7 bar: N-92006-01 • Gauge kit 0 - 6,7 bar: N-92006-02
- Gauge kit 0-4 bar: N-92006-03

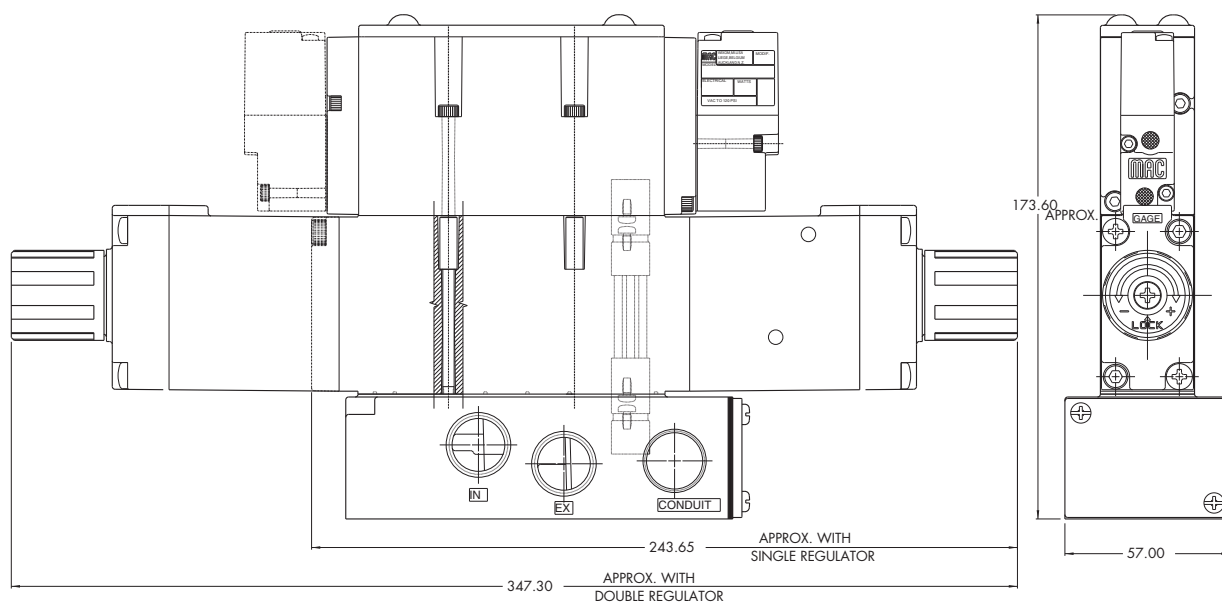
Option:

- Pressure range: PR93A-xxxA (A 0 to 8 bar)

- B 0 to 5,3 bar
- C 0 to 2 bar
- D 0 to 8 bar "A" end, 0 to 5,3 bar "B" end
- E 0 to 8 bar "B" end, 0 to 5,3 bar "A" end
- F 0 to 8 bar "A" end, 0 to 2 bar "B" end
- G 0 to 8 bar "B" end, 0 to 2 bar "A" end
- H 0 to 5,3 bar "A" end, 0 to 2 bar "B" end
- J 0 to 5,3 bar "B" end, 0 to 2 bar "A" end

DIMENSIONS

Dimensions shown are metric (mm)



Non plug-in sandwich pressure regulator with manual adjust

OPERATIONAL BENEFITS

1. Easy mounting: saves on installation costs and space in comparison with inline regulators
2. Compact all-included units
3. Large orifice provides high flow
4. Various functions available
5. Simple, reliable and solid design



PR24A
PR37A
PR42B
PR46A
PR47A
PR48B

PR92C

HOW TO ORDER

Pilot	Single pressure Regulator 12 end	Dual pressure Regulator 12 end with by-pass 14 end *	Dual pressure Regulator 14 end with by-pass 12 end *	Dual pressure Regulator both ends *
Internal	PRA01A-AAAA	PRA01A-ABAA	PRA01A-ADAA	PRA01A-AEAA
External	PRA01A-BAAA	PRA01A-BBAA	PRA01A-BDAA	PRA01A-BEAA

PR93A

PRA01A

Above models are for manual adjust with knob
For other manual adjustments and pressure ranges, see Options.

Note: Add -9 after part number for regulator block assembled to valve.
* To be used with dual pressure valves.

PRP01A

OPTIONS

Adjustments :

- PRA01A - xxxx
- A** Manual adjust with knob – Internal pilot
 - B** Manual adjust with knob – External pilot
 - G** Manual adjust with screwdriver slot – Internal pilot
 - H** Manual adjust with screwdriver slot – External pilot
 - K** Manual adjust with screwdriver slot with locknut – Internal pilot
 - L** Manual adjust with screwdriver slot with locknut – External pilot

PRA02A

PRP02A

PRA1A

PRP1A

Regulated Pressure range :

- PRA01A - xxxx
- A** 0 to 8 bar
 - B** 0 to 5,3 bar
 - C** 0 to 2 bar
 - D** 0 to 8 bar "14" end – 0 to 5,3 bar "12" end
 - E** 0 to 8 bar "12" end – 0 to 5,3 bar "14" end
 - F** 0 to 8 bar "14" end – 0 to 2 bar "12" end
 - G** 0 to 8 bar "12" end – 0 to 2 bar "14" end
 - H** 0 to 5,3 bar "14" end – 0 to 2 bar "12" end
 - J** 0 to 5,3 bar "12" end – 0 to 2 bar "14" end

PRA2D

PRA2B

PRA3C

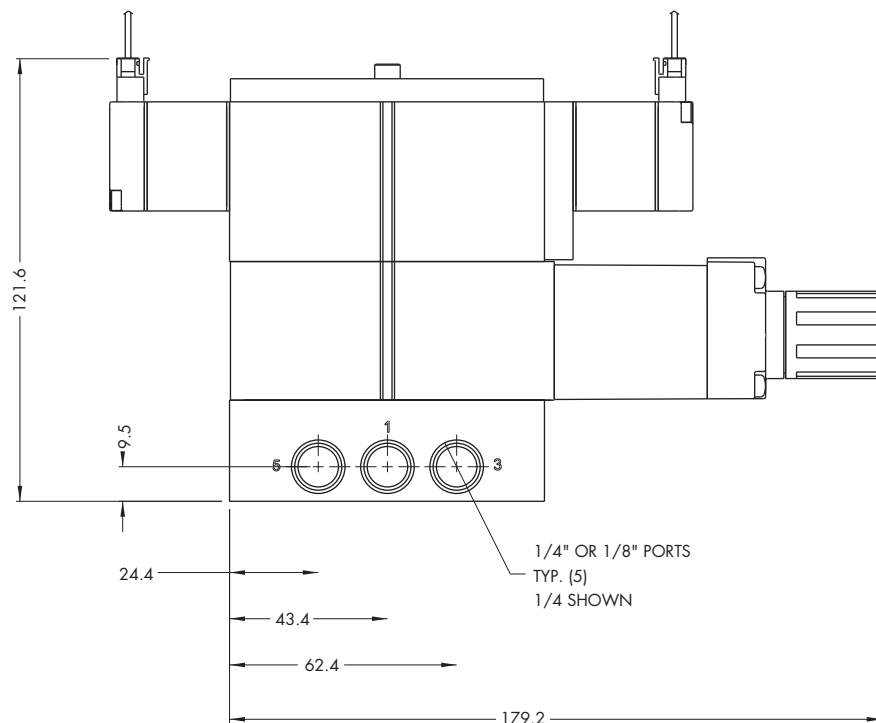
PRP3B

TECHNICAL DATA

Fluid :	Compressed air, inert gases
Pressure supply :	Higher than maximum regulated pressure (max. 8,5 bar)
Regulating range :	0 to 8 bar
Lubrication :	Not required, if used select a medium aniline point lubricant (between 80°C and 100°C)
Filtration :	40 µ
Temperature range :	-18°C to +50°C

DIMENSIONS

Dimensions shown are metric (mm)





Non plug-in sandwich pressure regulator with air pilot adjust

OPERATIONAL BENEFITS

1. Easy mounting: saves on installation costs in comparison with inline regulators
2. Compact all-included units
3. Large orifice provides high flow
4. Various functions available
5. Simple, reliable and solid design

PR24A
PR37A
PR42B
PR46A
PR47A
PR48B

HOW TO ORDER

Pilot	Single pressure Regulator 12 end	Dual pressure Regulator 12 end with by-pass 14 end *	Dual pressure Regulator 14 end with by-pass 12 end *	Dual pressure Regulator both ends *
Internal	PRA01A-DAAA	PRA01A-DBAA	PRA01A-DDAA	PRA01A-DEAA
External	PRA01A-EAAA	PRA01A-EBAA	PRA01A-EDAA	PRA01A-EEAA

PR92C

PR93A

Note : Only pressure range available for air adjust regulator is 0-8 bar.
 * To be used with dual pressure valves.

PRA01A

PRP01A

PRA02A
PRP02A

PRA1A

PRP1A

PRA2D

PRA2B

PRA3C

PRP3B



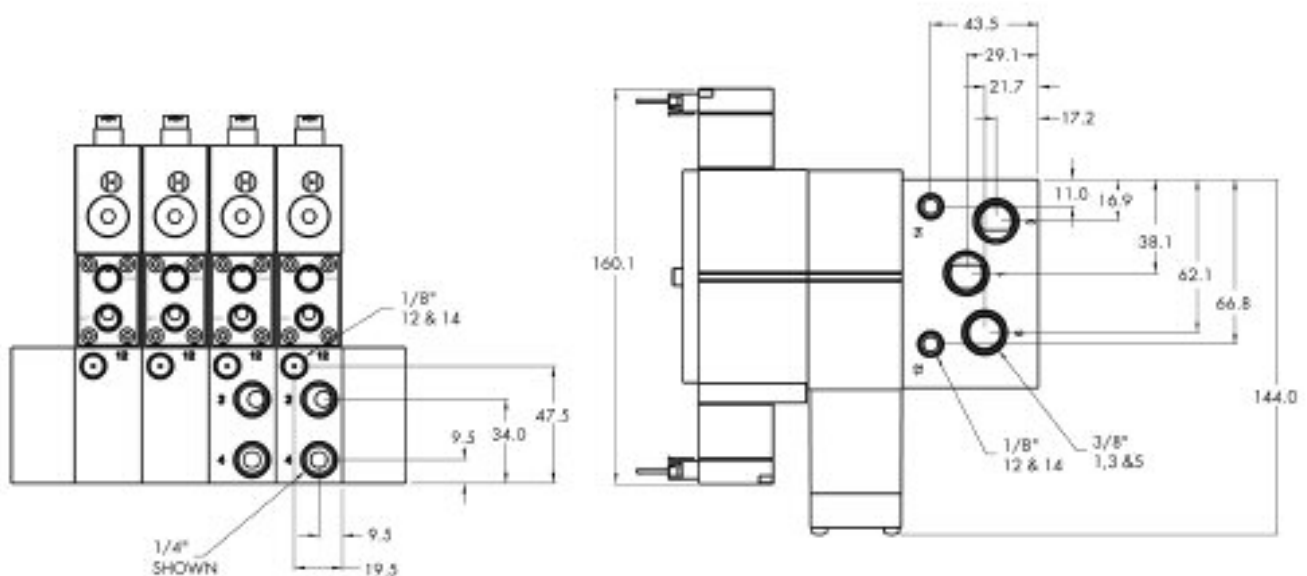
100%
OF
PRODUCTION
TESTED
100%

WARRANTY
18
MONTHS

TECHNICAL DATA

Fluid :	Compressed air, inert gases
Pressure range :	Higher than maximum regulated pressure (max. 8,5 bar)
Regulating range :	0 to 8 bar
Lubrication :	Not required, if used select a medium aniline point lubricant (between 80°C and 100°C)
Filtration :	40 µ
Temperature range :	-18°C to +50°C

Dimensions shown are metric (mm)





Plug-in sandwich pressure regulator with manual adjust

OPERATIONAL BENEFITS

1. Easy mounting: saves on installation costs and space in comparison with inline regulators
2. Compact all-included units.
3. Large orifice provides high flow.
4. Various functions available.
5. Simple, reliable and solid design.

PR24A
PR37A
PR42B
PR46A
PR47A
PR48B

HOW TO ORDER

Pilot	Single pressure Regulator 12 end	Dual pressure Regulator 12 end with by-pass 14 end *	Dual pressure Regulator 14 end with by-pass 12 end *	Dual pressure Regulator both ends *
Internal	PRP01A-AAAA	PRP01A-ABAA	PRP01A-ADAA	PRP01A-AEAA
External	PRP01A-BAAA	PRP01A-BBAA	PRP01A-BDAA	PRP01A-BEAA

PR92C

PR93A

Above models are for manual adjust with knob
For other adjustments and pressure ranges, see Options.

* To be used with dual pressure valves.

PRA01A

OPTIONS

Adjustments :

PRP01A - **xxxx**

- A** Manual adjust with knob – Internal pilot
- B** Manual adjust with knob – External pilot
- G** Manual adjust with screwdriver slot – Internal pilot
- H** Manual adjust with screwdriver slot – External pilot
- K** Manual adjust with screwdriver slot with locknut– Internal pilot
- L** Manual adjust with screwdriver slot with locknut – External pilot

PRP01A

PRA02A

PRP02A

PRA1A

PRP1A

Regulated Pressure range :

PRP01A - **xxxx**

- A** 0 to 8 bar
- B** 0 to 5,3 bar
- C** 0 to 2 bar
- D** 0 to 8 bar "14" end – 0 to 5,3 bar "12" end
- E** 0 to 8 bar "12" end – 0 to 5,3 bar "14" end
- F** 0 to 8 bar "14" end – 0 to 2 bar "12" end
- G** 0 to 8 bar "12" end – 0 to 2 bar "14" end
- H** 0 to 5,3 bar "14" end– 0 to 2 bar "12" end
- J** 0 to 5,3 bar "12" end – 0 to 2 bar "14" end

PRA2D

PRA2B

PRA3C

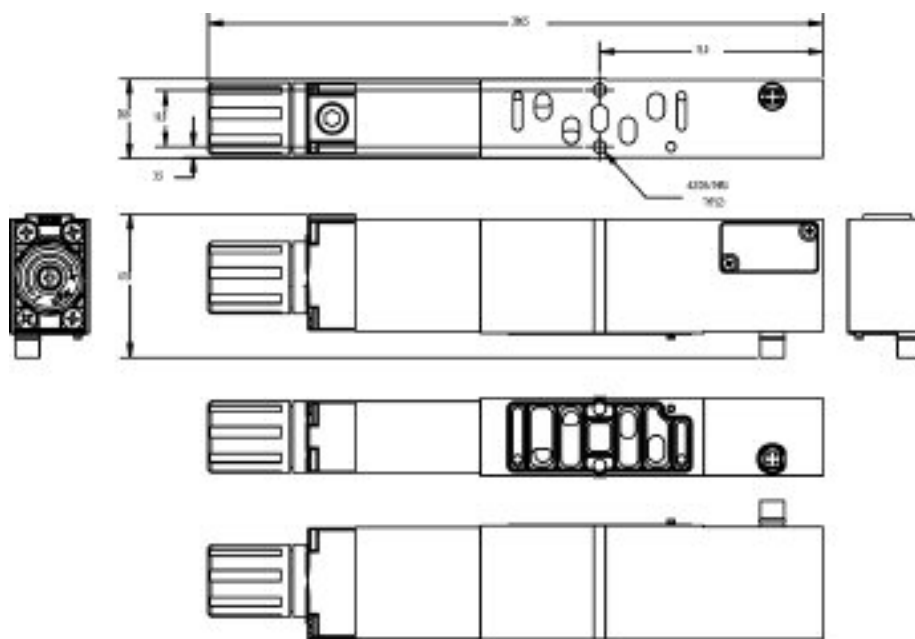
PRP3B

TECHNICAL DATA

Fluid :	Compressed air, inert gases
Pressure supply :	Higher than maximum regulated pressure (max. 8,5 bar)
Regulating range :	0 to 8 bar
Lubrication :	Not required, if used select a medium aniline point lubricant (between 80°C and 100°C)
Filtration :	40 µ
Temperature range :	-18°C to +50°C

DIMENSIONS

Dimensions shown are metric (mm)





Series

Plug-in sandwich pressure regulator with air pilot adjust

OPERATIONAL BENEFITS

1. Easy mounting: saves on installation costs and space in comparison with inline regulators
2. Compact all-included units.
3. Large orifice provides high flow.
4. Various functions available.
5. Simple, reliable and solid design

PR24A
PR37A
PR42B
PR46A
PR47A
PR48B

HOW TO ORDER

Pilot	Single pressure Regulator 12 end	Dual pressure Regulator 12 end with by-pass 14 end *	Dual pressure Regulator 14 end with by-pass 12 end *	Dual pressure Regulator both ends *
Internal	PRP01A-DAAA	PRP01A-DBAA	PRP01A-DDAA	PRP01A-DEAA
External	PRP01A-EAAA	PRP01A-EBAA	PRP01A-EDAA	PRP01A-EEAA

PR92C

PR93A

Note: Only pressure range available for air adjust is 0-8 bar
 * To be used with dual pressure valves.

PRA01A

PRP01A

PRA02A
PRP02A

PRA1A

PRP1A

PRA2D

PRA2B

PRA3C

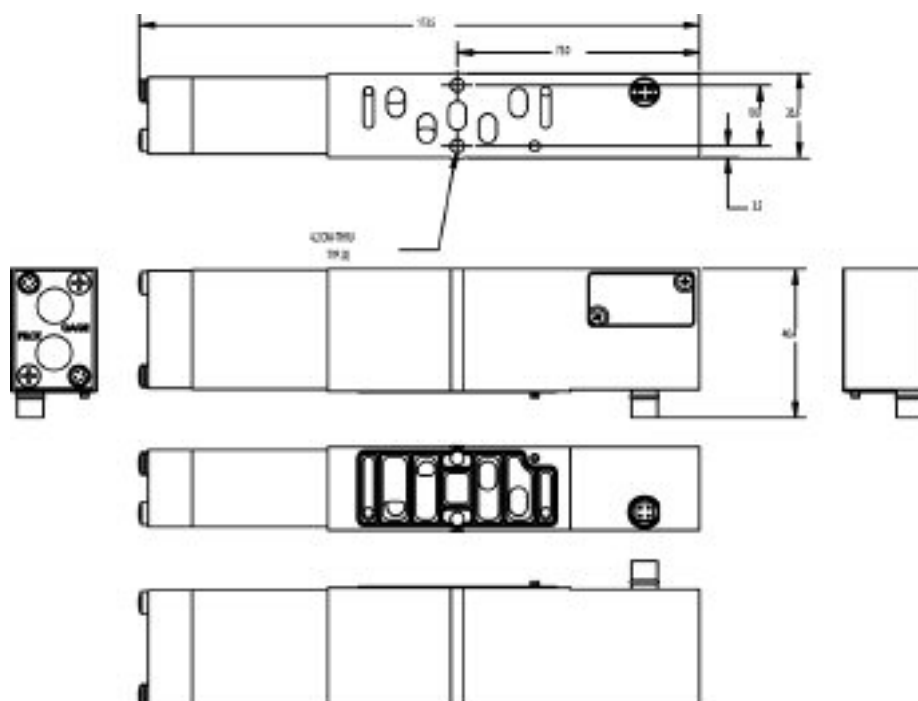
PRP3B

TECHNICAL DATA

Fluid :	Compressed air, inert gases
Pressure supply :	Higher than maximum regulated pressure (max. 8,5 bar)
Regulating range :	0 to 8 bar
Lubrication :	Not required, if used select a medium aniline point lubricant (between 80°C and 100°C)
Filtration :	40 µ
Temperature range :	-18°C to +50°C

DIMENSIONS

Dimensions shown are metric (mm)



Non plug-in sandwich pressure regulator with manual adjust

OPERATIONAL BENEFITS

1. Easy mounting: saves on installation costs and space in comparison with inline regulators
2. Compact all-included units
3. Large orifice provides high flow
4. Various functions available
5. Simple, reliable and solid design



PR24A
PR37A
PR42B
PR46A
PR47A
PR48B

PR92C

HOW TO ORDER

Pilot	Single pressure Regulator 12 end	Dual pressure Regulator 12 end with by-pass 14 end *	Dual pressure Regulator 14 end with by-pass 12 end *	Dual pressure Regulator both ends *
Internal	PRA02A-AAAA	PRA02A-ABAA	PRA02A-ADAA	PRA02A-AEAA
External	PRA02A-BAAA	PRA02A-BBAA	PRA02A-BDAA	PRA02A-BEAA

PR93A

Above models are for manual adjust with knob
 For other manual adjustments and pressure ranges, see Options.

Note: Add -9 after part number for regulator block assembled to valve.
 * To be used with dual pressure valves.

PRA01A

PRP01A

OPTIONS

Adjustments :

PRA02A - **XXXX**

- A** Manual adjust with knob – Internal pilot
- B** Manual adjust with knob – External pilot
- G** Manual adjust with screwdriver slot – Internal pilot
- H** Manual adjust with screwdriver slot – External pilot
- K** Manual adjust with screwdriver slot with locknut – Internal pilot
- L** Manual adjust with screwdriver slot with locknut – External pilot

PRA02A

PRP02A

PRA1A

PRP1A

Regulated Pressure range :

PRA02A - **XXXX**

- A** 0 to 8 bar
- B** 0 to 5,3 bar
- C** 0 to 2 bar
- D** 0 to 8 bar "14" end – 0 to 5,3 bar "12" end
- E** 0 to 8 bar "12" end – 0 to 5,3 bar "14" end
- F** 0 to 8 bar "14" end – 0 to 2 bar "12" end
- G** 0 to 8 bar "12" end – 0 to 2 bar "14" end
- H** 0 to 5,3 bar "14" end – 0 to 2 bar "12" end
- J** 0 to 5,3 bar "12" end – 0 to 2 bar "14" end

PRA2D

PRA2B

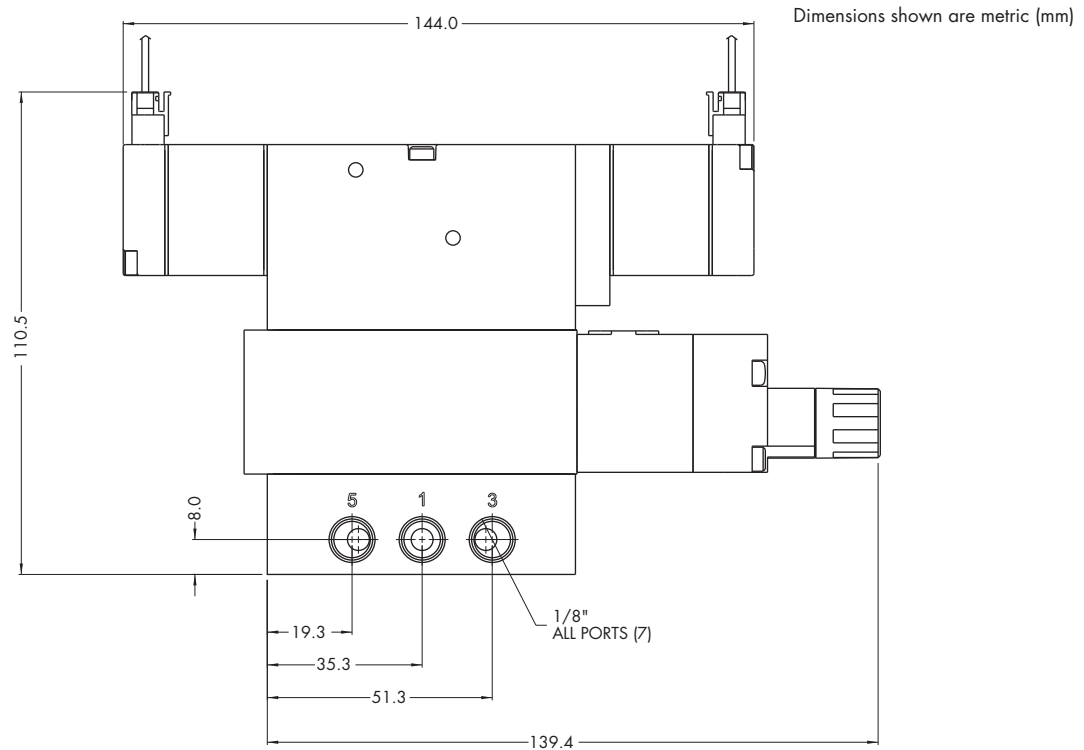
PRA3C

PRP3B

TECHNICAL DATA

Fluid :	Compressed air, inert gases
Pressure supply :	Higher than maximum regulated pressure (max. 8,5 bar)
Regulating range :	0 to 8 bar
Lubrication :	Not required, if used select a medium aniline point lubricant (between 80°C and 100°C)
Filtration :	40 µ
Temperature range :	-18°C to +50°C

DIMENSIONS





Plug-in sandwich pressure regulator with manual adjust

OPERATIONAL BENEFITS

1. Easy mounting: saves on installation costs and space in comparison with inline regulators
2. Compact all-included units.
3. Large orifice provides high flow.
4. Various functions available.
5. Simple, reliable and solid design.

PR24A
PR37A
PR42B
PR46A
PR47A
PR48B

HOW TO ORDER

Pilot	Single pressure Regulator 12 end
Internal	PRP02A-AAAA
External	PRP02A-BAAA

PR92C

PR93A

Above models are for manual adjust with knob
 For other manual adjustments and pressure ranges, see Options.

PRA01A

Note: Add -9 after part number for regulator block assembled to valve.

PRP01A

OPTIONS

Adjustments :

- PRP02A - **xxxx**
- A** Manual adjust with knob – Internal pilot
 - B** Manual adjust with knob – External pilot
 - G** Manual adjust with screwdriver slot – Internal pilot
 - H** Manual adjust with screwdriver slot – External pilot
 - K** Manual adjust with screwdriver slot with locknut– Internal pilot
 - L** Manual adjust with screwdriver slot with locknut – External pilot

PRA02A
PRP02A

PRA1A

PRP1A

Regulated Pressure range :

- PRP02A - **xxx**
- A** 0 to 8 bar
 - B** 0 to 5,3 bar
 - C** 0 to 2 bar

PRA2D

PRA2B

PRA3C

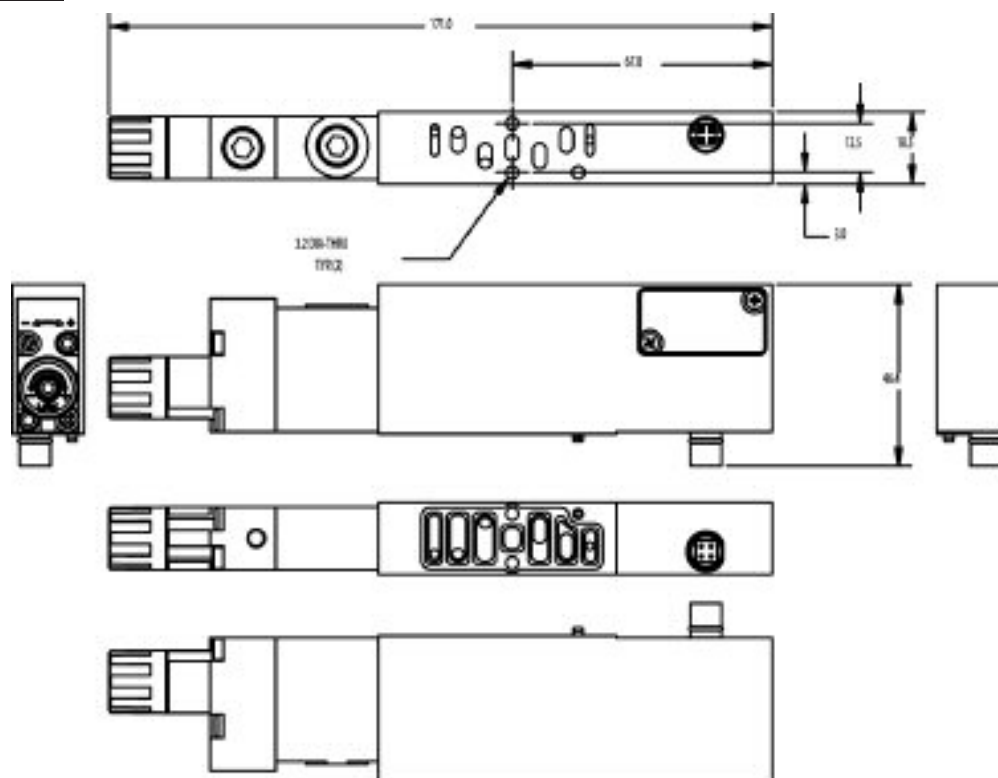
PRP3B

TECHNICAL DATA

Fluid :	Compressed air, inert gases
Pressure supply :	Higher than maximum regulated pressure (max. 8,5 bar)
Regulating range :	0 to 8 bar
Lubrication :	Not required, if used select a medium aniline point lubricant (between 80°C and 100°C)
Filtration :	40 μ
Temperature range :	-18°C to +50°C

DIMENSIONS

Dimensions shown are metric (mm)



Non plug-in sandwich pressure regulator with manual adjust knob

OPERATIONAL BENEFITS

1. Easy mounting : saves on installation costs in comparison with inline regulators.
2. Allows to have compact, all-included units.
3. Large orifice provides high flow.
4. Various functions available.
5. Simple, reliable and solid design.



PR24A
PR37A
PR42B
PR46A
PR47A
PR48B

PR92C

HOW TO ORDER

INTERNAL PILOT

Gauge	Single pressure Regulator 14 end Same regulated pressure to ports 2 and 4	Single pressure Regulator 12 end Same regulated pressure to ports 2 and 4	Dual pressure Regulator 14 end Regulated pressure to port 4 *	Dual pressure Regulator 12 end Regulated pressure to port 2 *	Dual pressure Dual regulator Two regulated pressures to ports 2 and 4 *
No gauge	PRA1A-GAAA	PRA1A-GCAA	PRA1A-GBAA	PRA1A-GDAA	PRA1A-GEAA
Gauge perpendicular to regulator(s)	PRA1A-GABA	PRA1A-GCBA	PRA1A-GBBA	PRA1A-GDBA	PRA1A-GECA
Gauge parallel to regulator(s)	PRA1A-GADA	PRA1A-GCDA	PRA1A-GBDA	PRA1A-GDDA	PRA1A-GEEA

PR93A

PRA01A

PRP01A

EXTERNAL PILOT AND REMOTE AIR

Gauge	Single pressure Regulator 14 end Same regulated pressure to ports 2 and 4	Single pressure Regulator 12 end Same regulated pressure to ports 2 and 4	Dual pressure Regulator 14 end Regulated pressure to port 4 *	Dual pressure Regulator 12 end Regulated pressure to port 2 *	Dual pressure Dual regulator Two regulated pressures to ports 2 and 4 *
No gauge	PRA1A-HAAA	PRA1A-HCAA	PRA1A-HBAA	PRA1A-HDAA	PRA1A-HEAA
Gauge perpendicular to regulator(s)	PRA1A-HABA	PRA1A-HCBA	PRA1A-HBBA	PRA1A-HDBA	PRA1A-HECA
Gauge parallel to regulator(s)	PRA1A-HADA	PRA1A-HCDA	PRA1A-HBDA	PRA1A-HDDA	PRA1A-HEEA

PRA02A

PRP02A

PRA1A

PRP1A

PRA2D

* - To be used with dual pressure valves.

Note : regulating range for above models is 0-8 bar. For other ranges see technical data page.

Main valve body assembly must be external pilot model. Pilots are supplied internally from primary pressure in regulator block. Cannot field convert regulator block from Single Pressure to dual pressure. Body/Block to base mounting screw #35336.

ADJUSTMENT OPTIONS

PRA1A-xxxx

- A** for slotted stem adjustment (internal pilot)
- B** for slotted stem adjustment (external/remote air)
- K** for slotted stem with locknut (internal pilot)
- L** for slotted stem with locknut (external/remote air)

PRA2B

PRA3C

PRP3B

TECHNICAL DATA

Fluid :	Compressed air, inert gases
Pressure range :	0 to 10 bar
Regulating range :	0 to 8 bar (other ranges see below)
Lubrication :	Not required, if used select a medium aniline point lubricant (between 80°C to 100°C)
Filtration :	40 µ
Temperature range :	-18°C to 50°C
Flow :	1000 NI/min (Cv 1.0)

Spare parts :

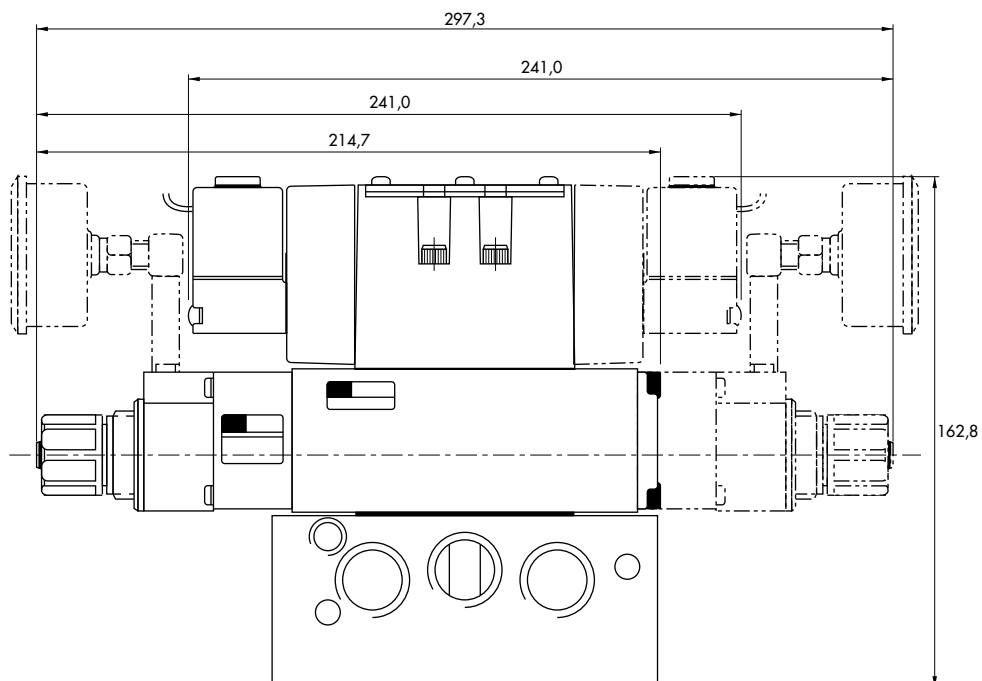
- Pressure regulator (less sandwich block) : PRA1A-JOAA (KNOB), PRA1A-COAA (SLOTTED STEM), PRA1A-MOAA (SLOTTED STEM WITH LOCKNUT).
- Gauge : N-82016-01 (0-8 bar perpendicular)
N-82016-02 (0-8 bar parallel)
N-82016-03 (0-5,3 bar perpendicular)
N-82016-04 (0-5,3 bar parallel)
N-82016-05 (0-2 bar perpendicular)
N-82016-06 (0-2 bar parallel)

Regulating range options : PRA1A-XXXX

- Replace by B - 0 to 5,3 bar
- Replace by C - 0 to 2 bar
- Replace by D - 0 to 8 bar on "14" end - 0 to 5,3 bar on "12" end
- Replace by E - 0 to 8 bar on "12" end - 0 to 5,3 bar on "14" end
- Replace by F - 0 to 8 bar on "14" end - 0 to 2 bar on "12" end
- Replace by G - 0 to 8 bar on "12" end - 0 to 2 bar on "14" end
- Replace by H - 0 to 5,3 bar on "14" end - 0 to 2 bar on "12" end
- Replace by J - 0 to 5,3 bar on "12" end - 0 to 2 bar on "14" end

DIMENSIONS

Dimensions shown are metric (mm)



Non plug-in sandwich pressure regulator with air pilot adjust

OPERATIONAL BENEFITS

1. Easy mounting : saves on installation costs in comparison with inline regulators.
2. Allows to have compact, all-included units.
3. Large orifice provides high flow.
4. Various functions available.
5. Simple, reliable and solid design.



PR24A
PR37A
PR42B
PR46A
PR47A
PR48B

PR92C

HOW TO ORDER

INTERNAL PILOT

Gauge	Single pressure Regulator 14 end Same regulated pressure to ports 2 and 4	Single pressure Regulator 12 end Same regulated pressure to ports 2 and 4	Dual pressure Regulator 14 end Regulated pressure to port 4 *	Dual pressure Regulator 12 end Regulated pressure to port 2 *	Dual pressure Dual regulator Two regulated pressures to ports 2 and 4 *
No gauge	PRA1A-DAAA	PRA1A-DCAA	PRA1A-DBAA	PRA1A-DDAA	PRA1A-DEAA
Gauge perpendicular to regulator(s)	PRA1A-DABA	PRA1A-DCBA	PRA1A-DBBA	PRA1A-DDBA	PRA1A-DECA
Gauge parallel to regulator(s)	PRA1A-DADA	PRA1A-DCDA	PRA1A-DBDA	PRA1A-DDDA	PRA1A-DEEA

PR93A

PRA01A

PRP01A

PRA02A

PRP02A

PRA1A

EXTERNAL PILOT AND REMOTE AIR

Gauge	Single pressure Regulator 14 end Same regulated pressure to ports 2 and 4	Single pressure Regulator 12 end Same regulated pressure to ports 2 and 4	Dual pressure Regulator 14 end Regulated pressure to port 4 *	Dual pressure Regulator 12 end Regulated pressure to port 2 *	Dual pressure Dual regulator Two regulated pressures to ports 2 and 4 *
No gauge	PRA1A-EAAA	PRA1A-ECAA	PRA1A-EBAA	PRA1A-EDAA	PRA1A-EEAA
Gauge perpendicular to regulator(s)	PRA1A-EABA	PRA1A-ECBA	PRA1A-EBBA	PRA1A-EDBA	PRA1A-EECA
Gauge parallel to regulator(s)	PRA1A-EADA	PRA1A-ECDA	PRA1A-EBDA	PRA1A-EDDA	PRA1A-EEEA

PRP1A

PRA2D

PRA2B

PRA3C

PRP3B

* - To be used with dual pressure valves.

Main valve body assembly must be external pilot model. Pilots are supplied internally from primary pressure in regulator block. Cannot field convert regulator block from Single Pressure to dual pressure. Body/Block to base mounting screw #35336.

TECHNICAL DATA

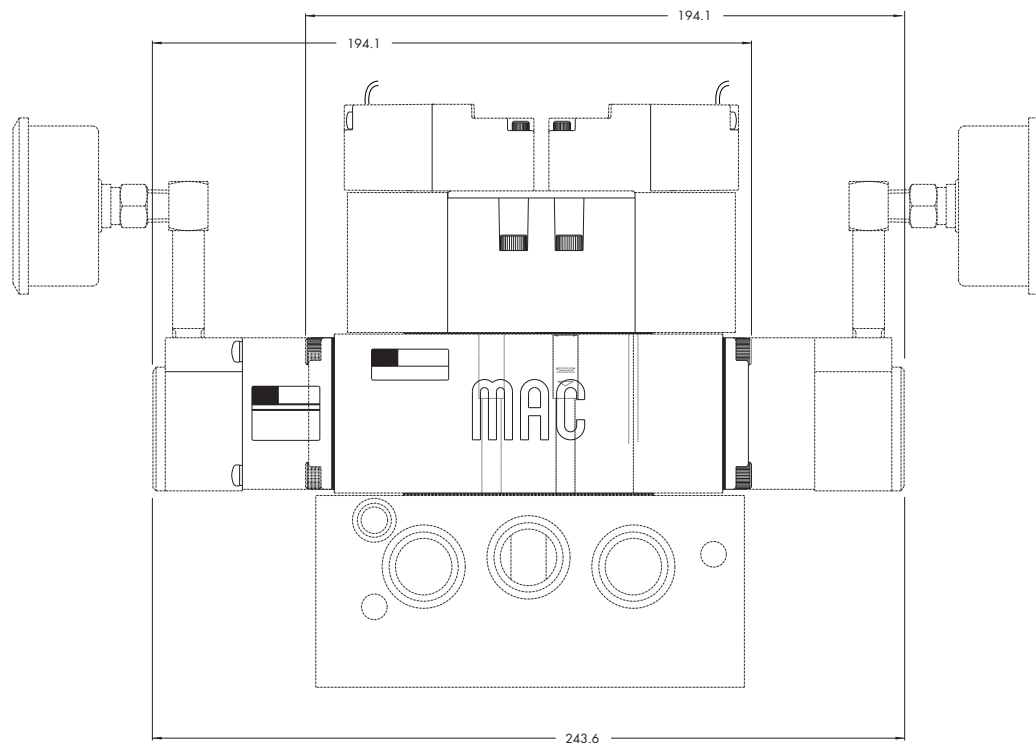
Fluid :	Compressed air, inert gases
Pressure range :	0 to 10 bar
Regulating range :	0 to 8 bar
Lubrication :	Not required, if used select a medium aniline point lubricant (between 80°C to 100°C)
Filtration :	40 µ
Temperature range :	-18°C to 50°C
Flow :	1000 NI/min (Cv 1.0)

Spare parts :

- Pressure regulator (less sandwich block) : PRA1A-F0AA.
- Gauge : N-82016-01 (0-8 bar perpendicular)
N-82016-02 (0-8 bar parallel)

DIMENSIONS

Dimensions shown are metric (mm)



Plug-in sandwich pressure regulator with manual adjust knob

OPERATIONAL BENEFITS

1. Easy mounting: saves on installation costs in comparison with inline regulators.
2. Compact all-included units.
3. Large orifice provides high flow.
4. Various functions available.
5. Simple, reliable and solid design.



PR24A
PR37A
PR42B
PR46A
PR47A
PR48B

PR92C

HOW TO ORDER

REGULATORS FOR INTERNAL PILOT (CODED FOR KNOB ADJUSTMENT)

Gauge	Single pressure Regulator 14 end Same regulated pressure to ports 2 and 4	Single pressure Regulator 12 end Same regulated pressure to ports 2 and 4	Dual pressure Regulator 14 end Regulated pressure to port 4 *	Dual pressure Regulator 12 end Regulated pressure to port 2 *	Dual pressure Dual regulator Two regulated pressures to ports 2 and 4 *
Gauge port only	PRP1A-GAKA	PRP1A-GCKA	PRP1A-GBKA	PRP1A-GDKA	PRP1A-GEKA
Gauge perpendicular to manual operator	PRP1A-GABA	PRP1A-GCBA	PRP1A-GBBA	PRP1A-GDBA	PRP1A-GECA
Gauge parallel to manual operator	PRP1A-GADA	PRP1A-GCDA	PRP1A-GBDA	PRP1A-GDDA	PRP1A-GEEA

PR93A

PRA01A

PRP01A

REGULATORS FOR EXTERNAL PILOT AND REMOTE AIR (CODED FOR KNOB ADJUSTMENT)

Gauge	Single pressure Regulator 14 end Same regulated pressure to ports 2 and 4	Single pressure Regulator 12 end Same regulated pressure to ports 2 and 4	Dual pressure Regulator 14 end Regulated pressure to port 4 *	Dual pressure Regulator 12 end Regulated pressure to port 2 *	Dual pressure Dual regulator Two regulated pressures to ports 2 and 4 *
No gauge	PRP1A-HAKA	PRP1A-HCKA	PRP1A-HBKA	PRP1A-HDKA	PRP1A-HEKA
Gauge perpendicular to manual operator	PRP1A-HABA	PRP1A-HCBA	PRP1A-HBBA	PRP1A-HDBA	PRP1A-HECA
Gauge parallel to manual operator	PRP1A-HADA	PRP1A-HCDA	PRP1A-HBDA	PRP1A-HDDA	PRP1A-HEEA

PRA02A
PRP02A

PRA1A

PRP1A

PRA2D

PRA2B

PRA3C

PRP3B

* For use with dual pressure valves.

Note: Regulating range for above models is 0-8 bar. For other ranges, see technical data page.

ADJUSTMENT OPTIONS

PRP1A-xxxx

- A** for slotted stem adjustment (internal pilot)
- B** for slotted stem adjustment (external/remote air)
- K** for slotted stem with locknut (internal pilot)
- L** for slotted stem with locknut (external/remote air)

Notes:

1. Valves used with above models must be external pilot models.
2. Cannot field convert regulator block from single pressure to dual pressure.
3. Cannot field convert from internal pilot to external pilot.
4. Wired for double solenoid valves.

TECHNICAL DATA

Fluid :	Compressed air, inert gases
Pressure range :	0 to 10 bar
Regulating range :	0 to 8 bar
Lubrication :	Not required, if used select a medium aniline point lubricant (between 80°C and 100°C)
Filtration :	40 µ
Temperature range :	-18°C to +50°C
Flow (at 6 bar, ΔP=1bar) :	1100 NI/min (Cv 1.1)

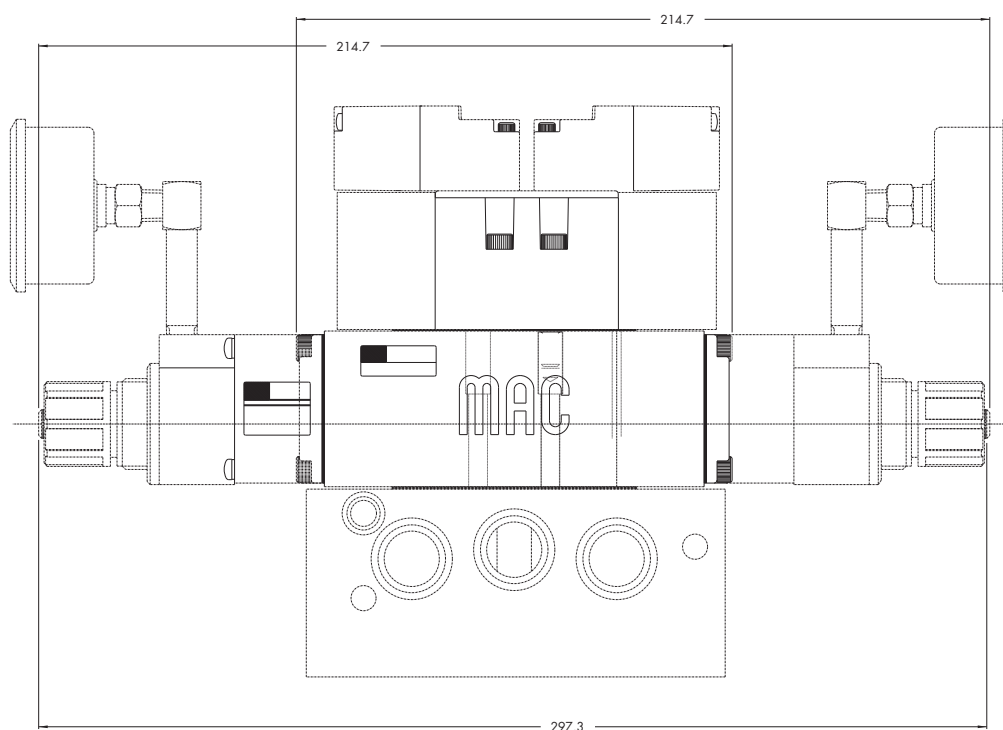
Spare parts : • Pressure regulator (less sandwich block) : PRP1A-JOKA (knob), PRP1A-COKA (slotted stem)
PRP1A-MOKA (slotted stem with locknut)

Regulating range options : PRP1A-XXXX

- Replace by B - 0 to 5,3 bar
- Replace by C - 0 to 2 bar
- Replace by D - 0 to 8 bar on "14" end - 0 to 5,3 bar on "12" end
- Replace by E - 0 to 8 bar on "12" end - 0 to 5,3 bar on "14" end
- Replace by F - 0 to 8 bar on "14" end - 0 to 2 bar on "12" end
- Replace by G - 0 to 8 bar on "12" end - 0 to 2 bar on "14" end
- Replace by H - 0 to 5,3 bar on "14" end - 0 to 2 bar on "12" end
- Replace by J - 0 to 5,3 bar on "12" end - 0 to 2 bar on "14" end

DIMENSIONS

Dimensions shown are metric (mm)



Plug-in sandwich pressure regulator with air pilot adjust

OPERATIONAL BENEFITS

1. Easy mounting: saves on installation costs in comparison with inline regulators.
2. Compact all-included units.
3. Large orifice provides high flow.
4. Various functions available.
5. Simple, reliable and solid design.



PR24A
PR37A
PR42B
PR46A
PR47A
PR48B

PR92C

HOW TO ORDER

REGULATORS FOR INTERNAL PILOT

Gauge	Single pressure Regulator 14 end Same regulated pressure to ports 2 and 4	Single pressure Regulator 12 end Same regulated pressure to ports 2 and 4	Dual pressure Regulator 14 end Regulated pressure to port 4 *	Dual pressure Regulator 12 end Regulated pressure to port 2 *	Dual pressure Dual regulator Two regulated pressures to ports 2 and 4 *
Gauge port only	PRP1A-DAKA	PRP1A-DCKA	PRP1A-DBKA	PRP1A-DDKA	PRP1A-DEKA
Gauge perpendicular to manual operator	PRP1A-DABA	PRP1A-DCBA	PRP1A-DBBA	PRP1A-DDBA	PRP1A-DECA
Gauge parallel to manual operator	PRP1A-DADA	PRP1A-DCDA	PRP1A-DBDA	PRP1A-DDDA	PRP1A-DEEA

PR93A

PRA01A

PRP01A

PRA02A

PRP02A

REGULATORS FOR EXTERNAL PILOT AND REMOTE AIR

Gauge	Single pressure Regulator 14 end Same regulated pressure to ports 2 and 4	Single pressure Regulator 12 end Same regulated pressure to ports 2 and 4	Dual pressure Regulator 14 end Regulated pressure to port 4 *	Dual pressure Regulator 12 end Regulated pressure to port 2 *	Dual pressure Dual regulator Two regulated pressures to ports 2 and 4 *
Gauge port only	PRP1A-EAKA	PRP1A-ECKA	PRP1A-EBKA	PRP1A-EDKA	PRP1A-EEKA
Gauge perpendicular to manual operator	PRP1A-EABA	PRP1A-ECBA	PRP1A-EBBA	PRP1A-EDBA	PRP1A-EECA
Gauge parallel to manual operator	PRP1A-EADA	PRP1A-ECDA	PRP1A-EBDA	PRP1A-EDDA	PRP1A-EEEA

PRA1A

PRP1A

PRA2D

PRA2B

PRA3C

PRP3B

* - To be used with dual pressure valves.

Notes:

1. Valves used with above models must be external pilot models.
2. Cannot field convert regulator block from single pressure to dual pressure.
3. Cannot field convert from internal pilot to external pilot.
4. Wired for double solenoid valves.

TECHNICAL DATA

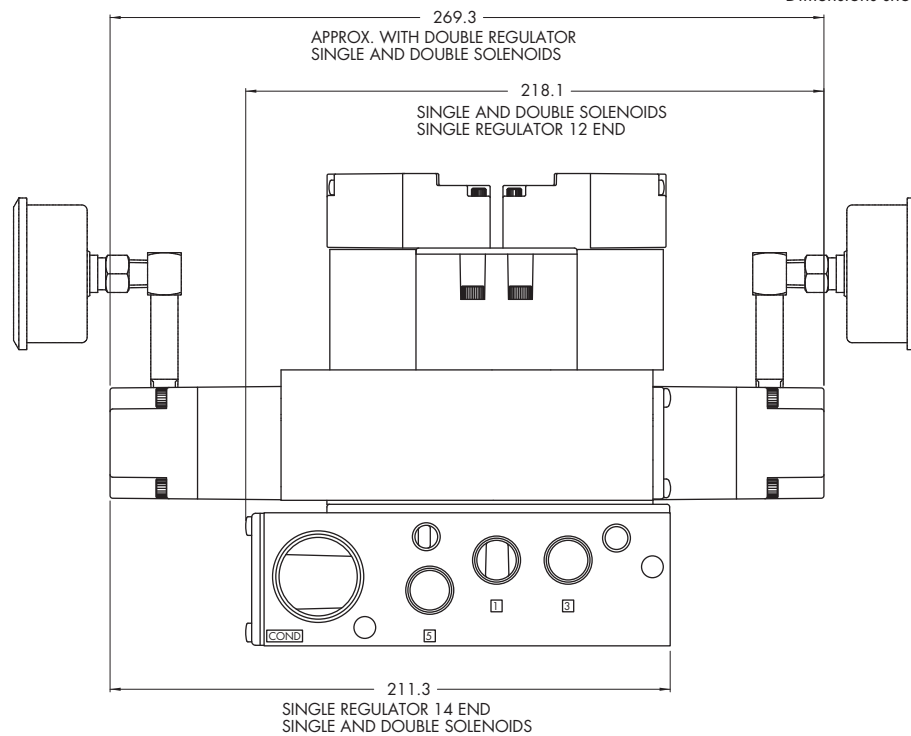
Fluid :	Compressed air, inert gases
Pressure range :	0 to 10 bar
Regulating range :	0 to 8 bar
Lubrication :	Not required, if used select a medium aniline point lubricant (between 80°C and 100°C)
Filtration :	40 µ
Temperature range :	-18°C to +50°C
Flow (at 6 bar, ΔP=1bar) :	1100 NI/min (Cv 1.1)

Spare parts :

- Pressure regulator (less sandwich block): PRP1A-FOKA
- Regulator block to base mounting tie rod: 19496

DIMENSIONS

Dimensions shown are metric (mm)



Non plug-in sandwich pressure regulator with manual adjust knob

OPERATIONAL BENEFITS

1. Easy mounting : saves on installation costs in comparison with inline regulators.
2. Allows to have compact, all-included units.
3. Large orifice provides high flow.
4. Various functions available.
5. Simple, reliable and solid design.



PR24A
PR37A
PR42B
PR46A
PR47A
PR48B

PR92C

HOW TO ORDER

INTERNAL PILOT

Gauge	Single pressure Regulator 14 end Same regulated pressure to ports 2 and 4	Single pressure Regulator 12 end Same regulated pressure to ports 2 and 4	Dual pressure Regulator 14 end Regulated pressure to port 4 *	Dual pressure Regulator 12 end Regulated pressure to port 2 *	Dual pressure Dual regulator Two regulated pressures to ports 2 and 4 *
No gauge	PRA2D-1AAA	PRA2D-1EAA	PRA2D-1BAA	PRA2D-1FAA	PRA2D-1JAA
Non-filled gauge on regulator(s)	PRA2D-1ADA	PRA2D-1EDA	PRA2D-1BDA	PRA2D-1FDA	PRA2D-1JEA
Non-filled gauge opposite to regulator	PRA2D-1CDA	PRA2D-1GDA	PRA2D-1DDA	PRA2D-1HDA	-----
Glycerine filled gauge on regulator(s)	PRA2D-1ABA	PRA2D-1EBA	PRA2D-1BBA	PRA2D-1FBA	PRA2D-1JCA
Glycerine filled gauge opposite to regulator	PRA2D-1CBA	PRA2D-1GBA	PRA2D-1DBA	PRA2D-1HBA	-----

PR93A

PRA01A

PRP01A

PRA02A

PRP02A

EXTERNAL PILOT AND REMOTE AIR

Gauge	Single pressure Regulator 14 end Same regulated pressure to ports 2 and 4	Single pressure Regulator 12 end Same regulated pressure to ports 2 and 4	Dual pressure Regulator 14 end Regulated pressure to port 4 *	Dual pressure Regulator 12 end Regulated pressure to port 2 *	Dual pressure Dual regulator Two regulated pressures to ports 2 and 4 *
No gauge	PRA2D-2AAA	PRA2D-2EAA	PRA2D-2BAA	PRA2D-2FAA	PRA2D-2JAA
Non-filled gauge on regulator(s)	PRA2D-2ADA	PRA2D-2EDA	PRA2D-2BDA	PRA2D-2FDA	PRA2D-2JEA
Non-filled gauge opposite to regulator	PRA2D-2CDA	PRA2D-2GDA	PRA2D-2DDA	PRA2D-2HDA	-----
Glycerine filled gauge on regulator(s)	PRA2D-2ABA	PRA2D-2EBA	PRA2D-2BBA	PRA2D-2FBA	PRA2D-2JCA
Glycerine filled gauge opposite to regulator	PRA2D-2CBA	PRA2D-2GBA	PRA2D-2DBA	PRA2D-2HBA	-----

PRA1A

PRP1A

PRA2D

PRA2B

PRA3C

PRP3B

* - To be used with dual pressure valves.
Note : regulating range for above models is 0-10 bar.
For other ranges see technical data page.

Main valve body assembly must be external pilot model. Pilots are supplied internally from primary pressure in regulator block. Cannot field convert regulator block from Single Pressure to dual pressure. Body/Block to base mounting screw #19177.

ADJUSTMENT OPTIONS

PRA2D-xxxx	
A	for slotted stem adjustment (internal pilot)
B	for slotted stem adjustment (external pilot)
D	for slotted stem with locknut (internal pilot)
E	for slotted stem with locknut (external pilot)

TECHNICAL DATA

Fluid :	Compressed air, inert gases
Pressure range :	0 to 10 bar
Regulating range :	0 to 10 bar (other ranges see below)
Lubrication :	Not required, if used select a medium aniline point lubricant (between 80°C to 100°C)
Filtration :	40 µ
Temperature range :	-18°C to 50°C
Flow :	2300 NI/min (Cv 2.3)

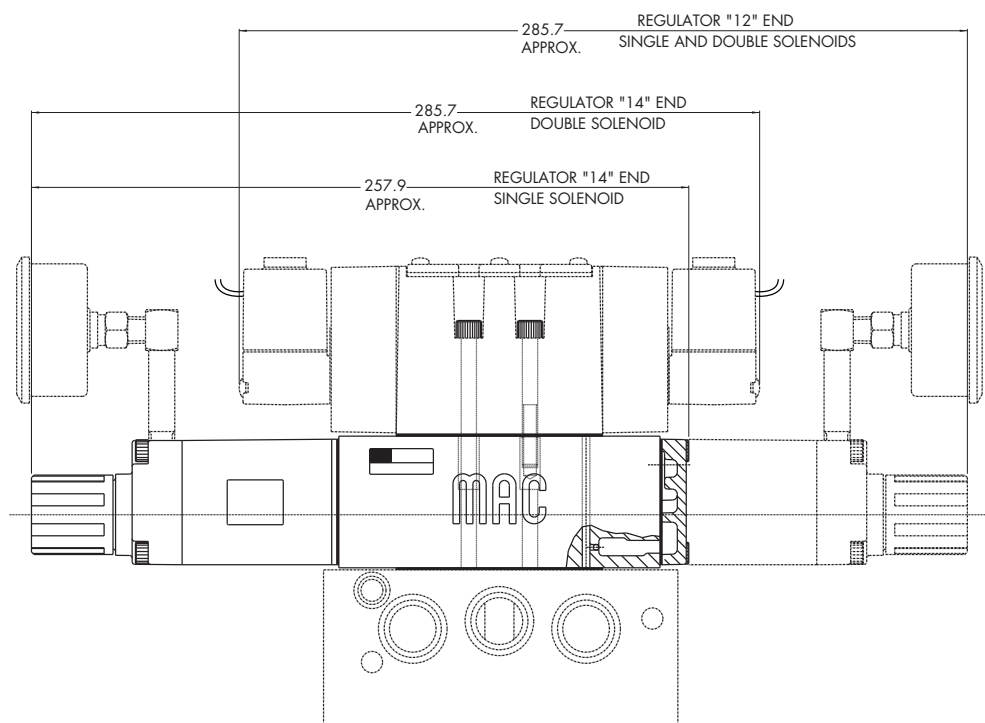
- Spare parts :
- Pressure regulator (less sandwich block) : PRA2D-30AA (KNOB), PRA2D-C0AA (SLOTTED STEM), PRA2D-F0AA (SLOTTED STEM WITH LOCKNUT).
 - Gauge : • Glycerine filled : N-62015-01
• Non filled : N-62016-01

Regulating range options : PRA2D-XXXA

- Replace by B - 0 to 6,7 bar
- Replace by C - 0 to 3 bar

DIMENSIONS

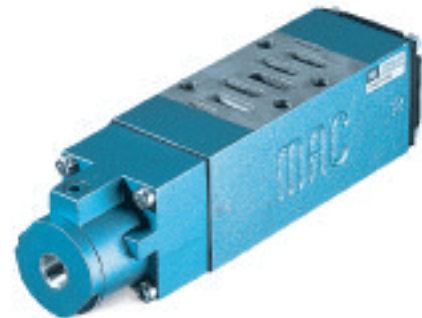
Dimensions shown are metric (mm)



Non plug-in sandwich pressure regulator with air pilot adjust

OPERATIONAL BENEFITS

1. Easy mounting : saves on installation costs in comparison with inline regulators.
2. Allows to have compact, all-included units.
3. Large orifice provides high flow.
4. Various functions available.
5. Simple, reliable and solid design.



PR24A
PR37A
PR42B
PR46A
PR47A
PR48B

PR92C

HOW TO ORDER

INTERNAL PILOT

Gauge	Single pressure Regulator 14 end Same regulated pressure to ports 2 and 4	Single pressure Regulator 12 end Same regulated pressure to ports 2 and 4	Dual pressure Regulator 14 end Regulated pressure to port 4 *	Dual pressure Regulator 12 end Regulated pressure to port 2 *	Dual pressure Dual regulator Two regulated pressures to ports 2 and 4 *
No gauge	PRA2D-4AAA	PRA2D-4EAA	PRA2D-4BAA	PRA2D-4FAA	PRA2D-4JAA
Non-filled gauge on regulator(s)	PRA2D-4ADA	PRA2D-4EDA	PRA2D-4BDA	PRA2D-4FDA	PRA2D-4JEA
Non-filled gauge opposite to regulator	PRA2D-4CDA	PRA2D-4GDA	PRA2D-4DDA	PRA2D-4HDA	-----
Glycerine filled gauge on regulator(s)	PRA2D-4ABA	PRA2D-4EBA	PRA2D-4BBA	PRA2D-4FBA	PRA2D-4JCA
Glycerine filled gauge opposite to regulator	PRA2D-4CBA	PRA2D-4GBA	PRA2D-4DBA	PRA2D-4HBA	-----

PR93A

PRA01A

PRP01A
PRA02A
PRP02A

EXTERNAL PILOT AND REMOTE AIR

Gauge	Single pressure Regulator 14 end Same regulated pressure to ports 2 and 4	Single pressure Regulator 12 end Same regulated pressure to ports 2 and 4	Dual pressure Regulator 14 end Regulated pressure to port 4 *	Dual pressure Regulator 12 end Regulated pressure to port 2 *	Dual pressure Dual regulator Two regulated pressures to ports 2 and 4 *
No gauge	PRA2D-5AAA	PRA2D-5EAA	PRA2D-5BAA	PRA2D-5FAA	PRA2D-5JAA
Non-filled gauge on regulator(s)	PRA2D-5ADA	PRA2D-5EDA	PRA2D-5BDA	PRA2D-5FDA	PRA2D-5JEA
Non-filled gauge opposite to regulator	PRA2D-5CDA	PRA2D-5GDA	PRA2D-5DDA	PRA2D-5HDA	-----
Glycerine filled gauge on regulator(s)	PRA2D-5ABA	PRA2D-5EBA	PRA2D-5BBA	PRA2D-5FBA	PRA2D-5JCA
Glycerine filled gauge opposite to regulator	PRA2D-5CBA	PRA2D-5GBA	PRA2D-5DBA	PRA2D-5HBA	-----

PRA1A

PRP1A

PRA2D

PRA2B

PRA3C

PRP3B

* - To be used with dual pressure valves.

Main valve body assembly must be external pilot model. Pilots are supplied internally from primary pressure in regulator block. Cannot field convert regulator block from Single Pressure to dual pressure. Body/Block to base mounting screw #19177.

TECHNICAL DATA

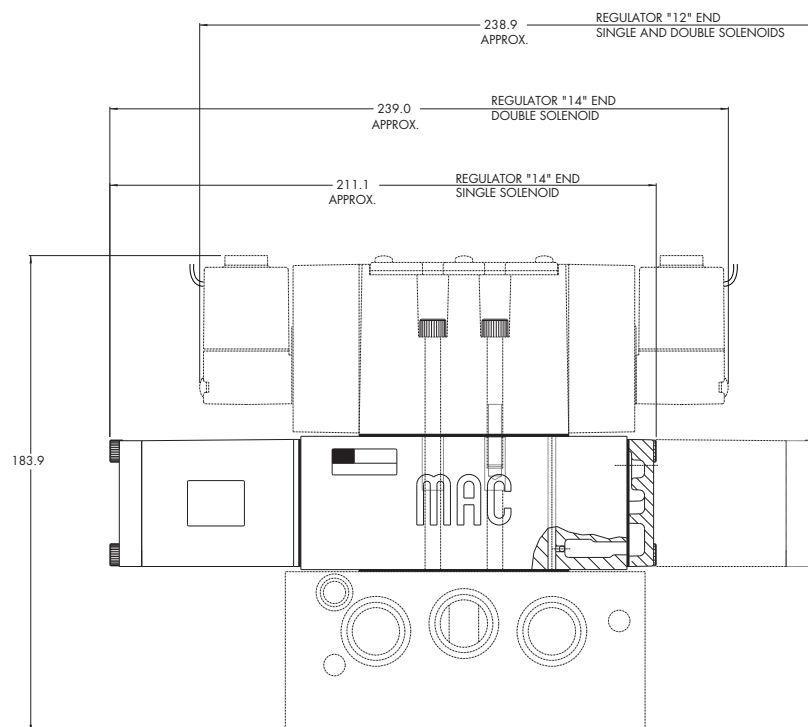
Fluid :	Compressed air, inert gases
Pressure range :	0 to 10 bar
Regulating range :	0 to 10 bar
Lubrication :	Not required, if used select a medium aniline point lubricant (between 80°C to 100°C)
Filtration :	40 µ
Temperature range :	-18°C to 50°C
Flow :	2300 NI/min (Cv 2.3)

Spare parts :

- Pressure regulator (less sandwich block) : PRA2D-60AA.
- Gauge :
 - Glycerine filled : N-62015-01
 - Non filled : N-62016-01

DIMENSIONS

Dimensions shown are metric (mm)



Plug-in sandwich pressure regulator with manual adjust knob

OPERATIONAL BENEFITS

1. Easy mounting: saves on installation costs in comparison with inline regulators.
2. Compact all-included units.
3. Large orifice provides high flow.
4. Various functions available.
5. Simple, reliable and solid design.



PR24A
PR37A
PR42B
PR46A
PR47A
PR48B

PR92C

HOW TO ORDER

REGULATORS FOR INTERNAL PILOT (CODED FOR KNOB ADJUSTMENT)

Gauge	Single pressure Regulator 14 end Same regulated pressure to ports 2 and 4	Single pressure Regulator 12 end Same regulated pressure to ports 2 and 4	Dual pressure Regulator 14 end Regulated pressure to port 4 *	Dual pressure Regulator 12 end Regulated pressure to port 2 *	Dual pressure Dual regulator Two regulated pressures to ports 2 and 4 *
No gauge	PRP2B-AAAA	PRP2B-AEAA	PRP2B-ABAA	PRP2B-AFAA	PRP2B-AJAA
Glycerine gauge	PRP2B-AABA	PRP2B-AEBA	PRP2B-ABBA	PRP2B-AFBA	PRP2B-AJCA
Non-filled gauge	PRP2B-AADA	PRP2B-AEDA	PRP2B-ABDA	PRP2B-AFDA	PRP2B-AJEA

PR93A

PRA01A

PRP01A

PRA02A

PRP02A

PRA1A

PRP1A

PRA2D

REGULATORS FOR EXTERNAL PILOT AND REMOTE AIR (CODED FOR KNOB ADJUSTMENT)

Gauge	Single pressure Regulator 14 end Same regulated pressure to ports 2 and 4	Single pressure Regulator 12 end Same regulated pressure to ports 2 and 4	Dual pressure Regulator 14 end Regulated pressure to port 4 *	Dual pressure Regulator 12 end Regulated pressure to port 2 *	Dual pressure Dual regulator Two regulated pressures to ports 2 and 4 *
No gauge	PRP2B-BAAA	PRP2B-BEAA	PRP2B-BBAA	PRP2B-BFAA	PRP2B-BJAA
Glycerine gauge	PRP2B-BABA	PRP2B-BEBA	PRP2B-BBBA	PRP2B-BFBA	PRP2B-BJCA
Non-filled gauge	PRP2B-BADA	PRP2B-BEDA	PRP2B-BBDA	PRP2B-BFDA	PRP2B-BJEA

PRA2B

PRA3C

PRP3B

* For use with dual pressure valves.

Note: Regulating range for above models is 0-10 bar. For other ranges, see technical data page.

ADJUSTMENT OPTIONS

PRP2B-XXXX

- G for slotted stem (internal pilot)
- H for slotted stem (external pilot)
- K for slotted stem with locknut (internal pilot)
- L for slotted stem with locknut (external pilot)

Notes:

1. Valves used with above models must be external pilot models.
2. Cannot field convert regulator block from single pressure to dual pressure.
3. Cannot field convert from internal pilot to external pilot.
4. Wired for double solenoid valves.

TECHNICAL DATA

Fluid :	Compressed air, inert gases
Pressure range :	0 to 10 bar
Regulating range :	0 to 10 bar
Lubrication :	Not required, if used select a medium aniline point lubricant (between 80°C and 100°C)
Filtration :	40 µ
Temperature range :	-18°C to +50°C
Flow (at 6 bar, ΔP=1bar)	3100 NI/min (Cv 3.1)

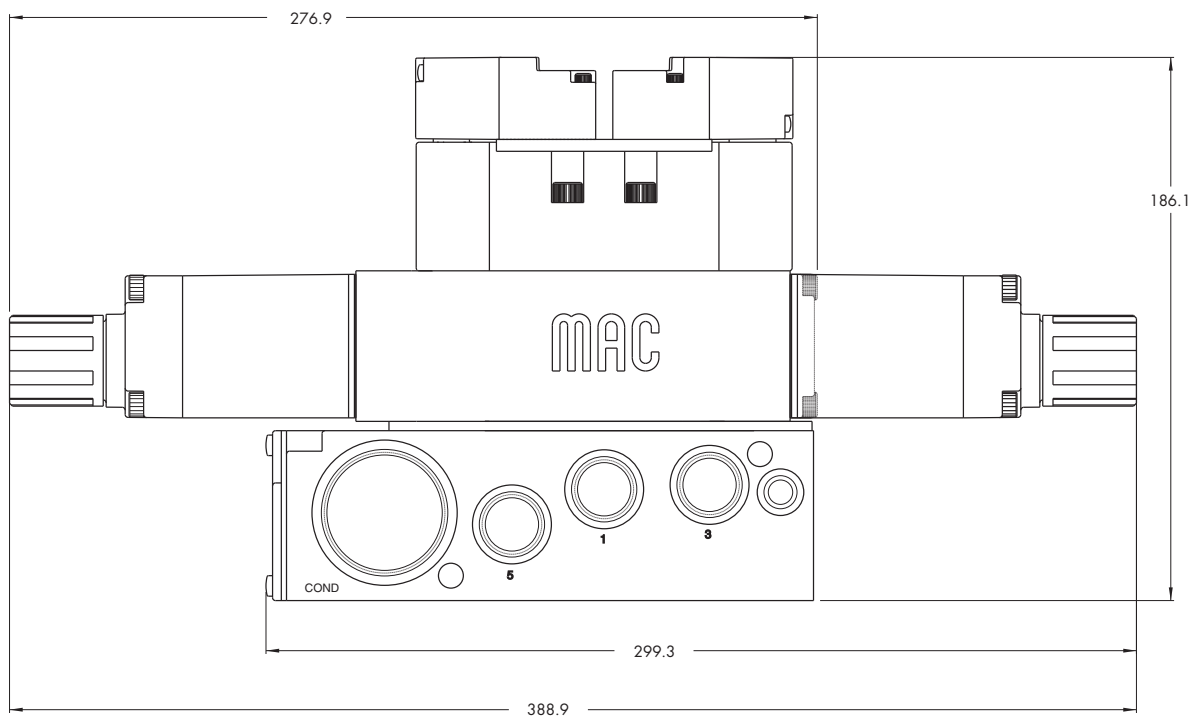
Spare parts :

- Pressure regulator (less sandwich block) PRP2B-COAA (knob), PRP2B-JOAA (slotted stem), PRP2B-MOAA (slotted stem with locknut)
- Regulator block to base mounting screw: 19177
- Regulating range option: PRP2B-xxxA

└─ Replace by B for 0 to 6,7 bar
└─ Replace by C for 0 to 3 bar

DIMENSIONS

Dimensions shown are metric (mm)



Plug-in sandwich pressure regulator with air pilot adjust

OPERATIONAL BENEFITS

1. Easy mounting: saves on installation costs in comparison with inline regulators.
2. Compact all-included units.
3. Large orifice provides high flow.
4. Various functions available.
5. Simple, reliable and solid design.



PR24A
PR37A
PR42B
PR46A
PR47A
PR48B

PR92C

HOW TO ORDER

REGULATORS FOR INTERNAL PILOT

Gauge	Single pressure Regulator 14 end Same regulated pressure to ports 2 and 4	Single pressure Regulator 12 end Same regulated pressure to ports 2 and 4	Dual pressure Regulator 14 end Regulated pressure to port 4 *	Dual pressure Regulator 12 end Regulated pressure to port 2 *	Dual pressure Dual regulator Two regulated pressures to ports 2 and 4 *
No gauge	PRP2B-DAAA	PRP2B-DEAA	PRP2B-DBAA	PRP2B-DFAA	PRP2B-DJAA
Glycerine gauge	PRP2B-DABA	PRP2B-DEBA	PRP2B-DBBA	PRP2B-DFBA	PRP2B-DJCA
Non-filled gauge	PRP2B-DADA	PRP2B-DEDA	PRP2B-DBDA	PRP2B-DFDA	PRP2B-DJEA

PR93A

PRA01A

PRP01A

REGULATORS FOR EXTERNAL PILOT AND REMOTE AIR

Gauge	Single pressure Regulator 14 end Same regulated pressure to ports 2 and 4	Single pressure Regulator 12 end Same regulated pressure to ports 2 and 4	Dual pressure Regulator 14 end Regulated pressure to port 4 *	Dual pressure Regulator 12 end Regulated pressure to port 2 *	Dual pressure Dual regulator Two regulated pressures to ports 2 and 4 *
No gauge	PRP2B-EAAA	PRP2B-EEAA	PRP2B-EBAA	PRP2B-EFAA	PRP2B-EJAA
Glycerine gauge	PRP2B-EABA	PRP2B-EEBA	PRP2B-EBBA	PRP2B-EFBA	PRP2B-EJCA
Non-filled gauge	PRP2B-EADA	PRP2B-EEDA	PRP2B-EBDA	PRP2B-EFDA	PRP2B-EJEA

PRA02A
PRP02A

PRA1A

PRP1A

PRA2D

* - To be used with dual pressure valves.

Notes:

1. Valves used with above models must be external pilot models.
2. Cannot field convert regulator block from single pressure to dual pressure.
3. Cannot field convert from internal pilot to external pilot.
4. Wired for double solenoid valves.

PRA2B

PRA3C

PRP3B

TECHNICAL DATA

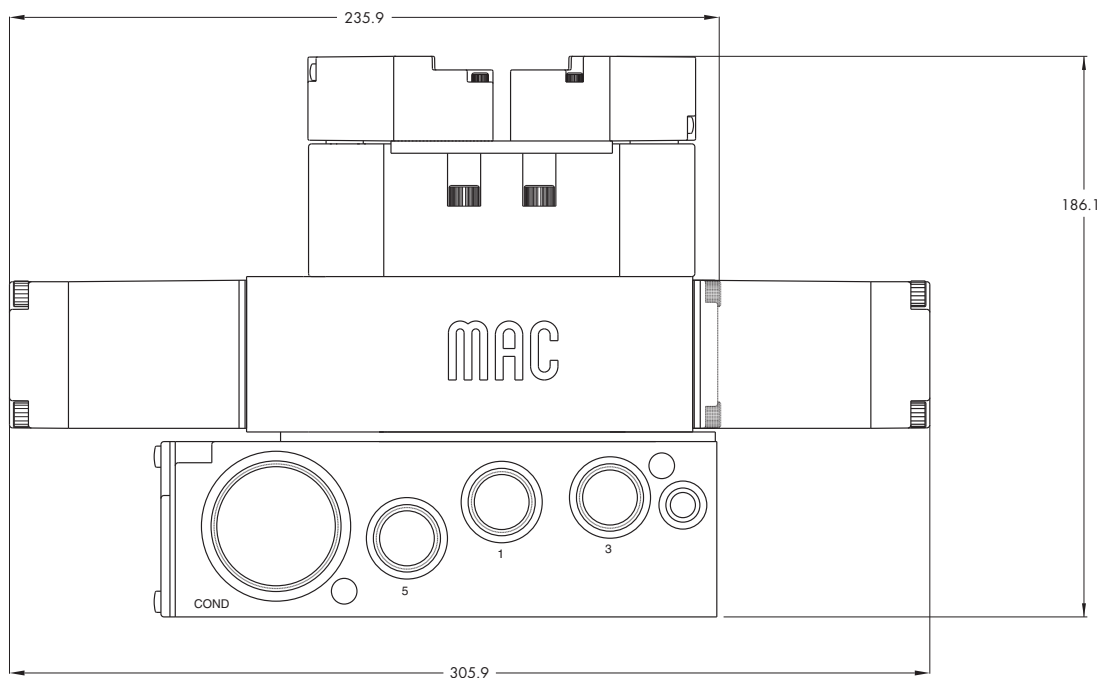
Fluid :	Compressed air, inert gases
Pressure range :	0 to 10 bar
Regulating range :	0 to 10 bar
Lubrication :	Not required, if used select a medium aniline point lubricant (between 80°C and 100°C)
Filtration :	40 µ
Temperature range :	-18°C to +50°C
Flow (at 6 bar, ΔP=1bar) :	3100 NI/min (Cv 3.1)

Spare parts :

- Pressure regulator (less sandwich block): PRP2B-F0AA
- Body/block to base mounting screw: 19177

DIMENSIONS

Dimensions shown are metric (mm)



Non plug-in sandwich pressure regulator with manual adjust knob

OPERATIONAL BENEFITS

1. Easy mounting : saves on installation costs in comparison with inline regulators.
2. Allows to have compact, all-included units.
3. Large orifice provides high flow.
4. Various functions available.
5. Simple, reliable and solid design.



PR24A
PR37A
PR42B
PR46A
PR47A
PR48B

PR92C

HOW TO ORDER

INTERNAL PILOT

Gauge	Single pressure Regulator 14 end Same regulated pressure to ports 2 and 4	Single pressure Regulator 12 end Same regulated pressure to ports 2 and 4	Dual pressure Regulator 14 end Regulated pressure to port 4 *	Dual pressure Regulator 12 end Regulated pressure to port 2 *	Dual pressure Dual regulator Two regulated pressures to ports 2 and 4 *
No gauge	PRA3C-1AAA	PRA3C-1EAA	PRA3C-1BAA	PRA3C-1FAA	PRA3C-1JAA
Non-filled gauge on regulator(s)	PRA3C-1ADA	PRA3C-1EDA	PRA3C-1BDA	PRA3C-1FDA	PRA3C-1JEA
Non-filled gauge opposite to regulator	PRA3C-1CDA	PRA3C-1GDA	PRA3C-1DDA	PRA3C-1HDA	----
Glycerine filled gauge on regulator(s)	PRA3C-1ABA	PRA3C-1EBA	PRA3C-1BBA	PRA3C-1FBA	PRA3C-1JCA
Glycerine filled gauge opposite to regulator	PRA3C-1CBA	PRA3C-1GBA	PRA3C-1DBA	PRA3C-1HBA	----

PR93A

PRA01A

PRP01A

PRA02A
PRP02A

EXTERNAL PILOT AND REMOTE AIR

Gauge	Single pressure Regulator 14 end Same regulated pressure to ports 2 and 4	Single pressure Regulator 12 end Same regulated pressure to ports 2 and 4	Dual pressure Regulator 14 end Regulated pressure to port 4 *	Dual pressure Regulator 12 end Regulated pressure to port 2 *	Dual pressure Dual regulator Two regulated pressures to ports 2 and 4 *
No gauge	PRA3C-2AAA	PRA3C-2EAA	PRA3C-2BAA	PRA3C-2FAA	PRA3C-2JAA
Non-filled gauge on regulator(s)	PRA3C-2ADA	PRA3C-2EDA	PRA3C-2BDA	PRA3C-2FDA	PRA3C-2JEA
Non-filled gauge opposite to regulator	PRA3C-2CDA	PRA3C-2GDA	PRA3C-2DDA	PRA3C-2HDA	----
Glycerine filled gauge on regulator(s)	PRA3C-2ABA	PRA3C-2EBA	PRA3C-2BBA	PRA3C-2FBA	PRA3C-2JCA
Glycerine filled gauge opposite to regulator	PRA3C-2CBA	PRA3C-2GBA	PRA3C-2DBA	PRA3C-2HBA	----

PRA1A

PRP1A

PRA2D

PRA2B

* - To be used with dual pressure valves.
Note : regulating range for above models is 0-10 bar.
For other ranges see technical data page.

Main valve body assembly must be external pilot model. Pilots are supplied internally from primary pressure in regulator block. Cannot field convert regulator block from Single Pressure to dual pressure. Body/Block to base mounting screw #35418.

ADJUSTMENT OPTIONS

- PRA3C-xxxx
- A** for slotted stem adjustment (internal pilot)
 - B** for slotted stem adjustment (external pilot)
 - D** for slotted stem with locknut (internal pilot)
 - E** for slotted stem with locknut (external pilot)

TECHNICAL DATA

Fluid :	Compressed air, inert gases
Pressure range :	0 to 10 bar
Regulating range :	0 to 10 bar (other ranges see below)
Lubrication :	Not required, if used select a medium aniline point lubricant (between 80°C to 100°C)
Filtration :	40 µ
Temperature range :	-18°C to 50°C
Flow :	5400 NI/min (Cv 5.4)

Spare parts :

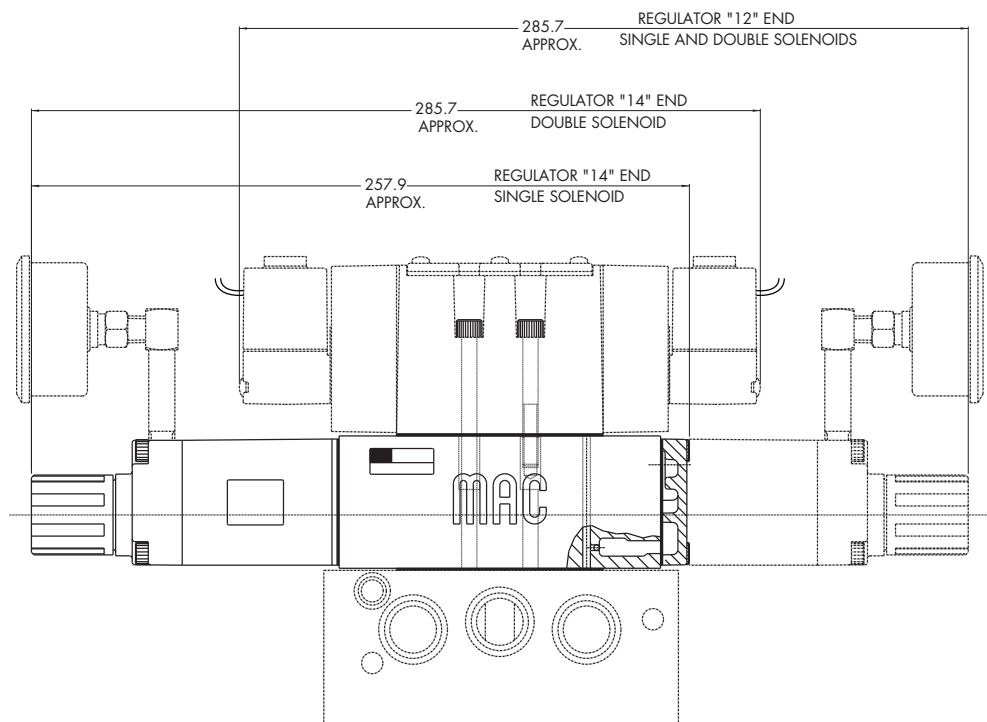
- Pressure regulator (less sandwich block) : PRA3C-30AA (KNOB), PRA3C-C0AA (SLOTTED STEM), PRA3C-F0AA (SLOTTED STEM WITH LOCKNUT).
- Gauge : • Glycerine filled : N-62015-01
• Non filled : N-62016-01

Regulating range options : PRA3C-XXXA

- Replace by B - 0 to 6,7 bar
- Replace by C - 0 to 3 bar

DIMENSIONS

Dimensions shown are metric (mm)



Non plug-in sandwich pressure regulator with air pilot adjust

OPERATIONAL BENEFITS

1. Easy mounting : saves on installation costs in comparison with inline regulators.
2. Allows to have compact, all-included units.
3. Large orifice provides high flow.
4. Various functions available.
5. Simple, reliable and solid design.



PR24A
PR37A
PR42B
PR46A
PR47A
PR48B

PR92C

HOW TO ORDER

INTERNAL PILOT

Gauge	Single pressure Regulator 14 end Same regulated pressure to ports 2 and 4	Single pressure Regulator 12 end Same regulated pressure to ports 2 and 4	Dual pressure Regulator 14 end Regulated pressure to port 4 *	Dual pressure Regulator 12 end Regulated pressure to port 2 *	Dual pressure Dual regulator Two regulated pressures to ports 2 and 4 *
No gauge	PRA3C-4AAA	PRA3C-4EAA	PRA3C-4BAA	PRA3C-4FAA	PRA3C-4JAA
Non-filled gauge on regulator(s)	PRA3C-4ADA	PRA3C-4EDA	PRA3C-4BDA	PRA3C-4FDA	PRA3C-4JEA
Non-filled gauge opposite to regulator	PRA3C-4CDA	PRA3C-4GDA	PRA3C-4DDA	PRA3C-4HDA	----
Glycerine filled gauge on regulator(s)	PRA3C-4ABA	PRA3C-4EBA	PRA3C-4BBA	PRA3C-4FBA	PRA3C-4JCA
Glycerine filled gauge opposite to regulator	PRA3C-4CBA	PRA3C-4GBA	PRA3C-4DBA	PRA3C-4HBA	----

PR93A

PRA01A

PRP01A

PRA02A

PRP02A

EXTERNAL PILOT AND REMOTE AIR

Gauge	Single pressure Regulator 14 end Same regulated pressure to ports 2 and 4	Single pressure Regulator 12 end Same regulated pressure to ports 2 and 4	Dual pressure Regulator 14 end Regulated pressure to port 4 *	Dual pressure Regulator 12 end Regulated pressure to port 2 *	Dual pressure Dual regulator Two regulated pressures to ports 2 and 4 *
No gauge	PRA3C-5AAA	PRA3C-5EAA	PRA3C-5BAA	PRA3C-5FAA	PRA3C-5JAA
Non-filled gauge on regulator(s)	PRA3C-5ADA	PRA3C-5EDA	PRA3C-5BDA	PRA3C-5FDA	PRA3C-5JEA
Non-filled gauge opposite to regulator	PRA3C-5CDA	PRA3C-5GDA	PRA3C-5DDA	PRA3C-5HDA	----
Glycerine filled gauge on regulator(s)	PRA3C-5ABA	PRA3C-5EBA	PRA3C-5BBA	PRA3C-5FBA	PRA3C-5JCA
Glycerine filled gauge opposite to regulator	PRA3C-5CBA	PRA3C-5GBA	PRA3C-5DBA	PRA3C-5HBA	----

PRA1A

PRP1A

PRA2D

PRA2B

PRA3C

PRP3B

* - To be used with dual pressure valves.

Main valve body assembly must be external pilot model. Pilots are supplied internally from primary pressure in regulator block. Cannot field convert regulator block from Single Pressure to dual pressure. Body/Block to base mounting screw #35418.

TECHNICAL DATA

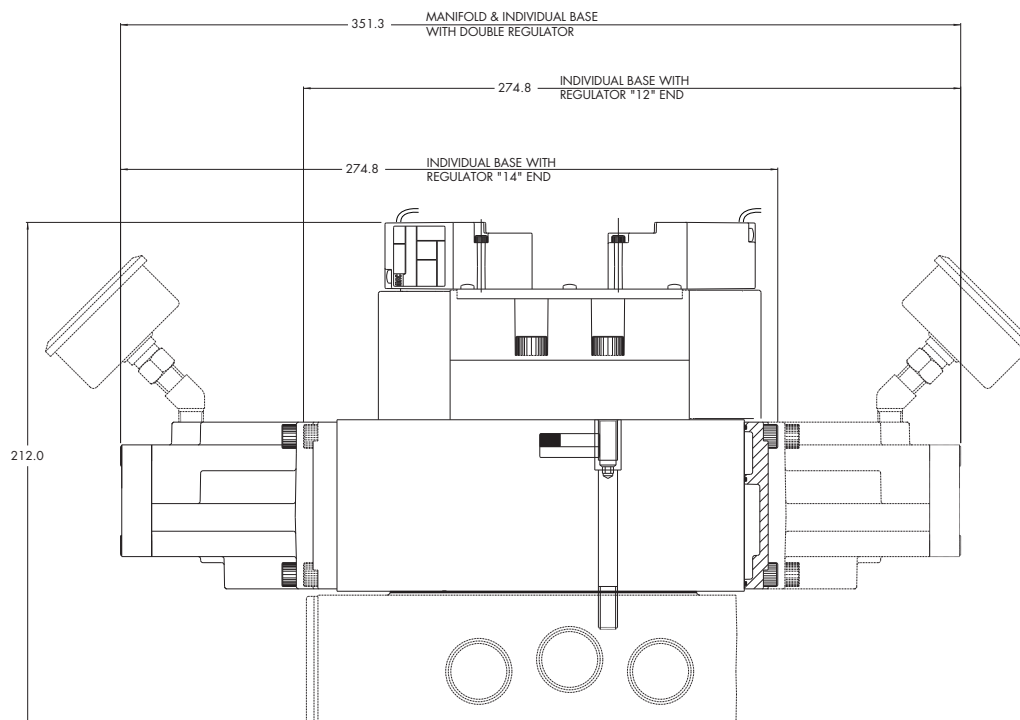
Fluid :	Compressed air, inert gases
Pressure range :	0 to 10 bar
Regulating range :	0 to 10 bar
Lubrication :	Not required, if used select a medium aniline point lubricant (between 80°C to 100°C)
Filtration :	40 µ
Temperature range :	-18°C to 50°C
Flow :	5400 NI/min (Cv 5.4)

Spare parts :

- Pressure regulator (less sandwich block) : PRA3C-60AA.
- Gauge : • Glycerine filled : N-62015-01
• Non filled : N-62016-01

DIMENSIONS

Dimensions shown are metric (mm)



Plug-in sandwich pressure regulator with manual adjust knob

OPERATIONAL BENEFITS

1. Easy mounting: saves on installation costs in comparison with inline regulators.
2. Compact all-included units.
3. Large orifice provides high flow.
4. Various functions available.
5. Simple, reliable and solid design.



PR24A
PR37A
PR42B
PR46A
PR47A
PR48B

PR92C

HOW TO ORDER

REGULATORS FOR INTERNAL PILOT (CODED FOR KNOB ADJUSTMENT)

Gauge	Single pressure Regulator 14 end Same regulated pressure to ports 2 and 4	Single pressure Regulator 12 end Same regulated pressure to ports 2 and 4	Dual pressure Regulator 14 end Regulated pressure to port 4 *	Dual pressure Regulator 12 end Regulated pressure to port 2 *	Dual pressure Dual regulator Two regulated pressures to ports 2 and 4 *
No gauge	PRP3B-AAAA	PRP3B-AEAA	PRP3B-ABAA	PRP3B-AFAA	PRP3B-AJAA
Glycerine gauge	PRP3B-AABA	PRP3B-AEBA	PRP3B-ABBA	PRP3B-AFBA	PRP3B-AJCA
Non-filled gauge	PRP3B-AADA	PRP3B-AEDA	PRP3B-ABDA	PRP3B-AFDA	PRP3B-AJEA

PR93A

PRA01A

PRP01A

PRA02A

PRP02A

PRA1A

PRP1A

PRA2D

PRA2B

PRA3C

REGULATORS FOR EXTERNAL PILOT AND REMOTE AIR (CODED FOR KNOB ADJUSTMENT)

Gauge	Single pressure Regulator 14 end Same regulated pressure to ports 2 and 4	Single pressure Regulator 12 end Same regulated pressure to ports 2 and 4	Dual pressure Regulator 14 end Regulated pressure to port 4 *	Dual pressure Regulator 12 end Regulated pressure to port 2 *	Dual pressure Dual regulator Two regulated pressures to ports 2 and 4 *
No gauge	PRP3B-BAAA	PRP3B-BEAA	PRP3B-BBAA	PRP3B-BFAA	PRP3B-BJAA
Glycerine gauge	PRP3B-BABA	PRP3B-BEBA	PRP3B-BBBA	PRP3B-BFBA	PRP3B-BJCA
Non-filled gauge	PRP3B-BADA	PRP3B-BEDA	PRP3B-BBDA	PRP3B-BFDA	PRP3B-BJEA

* For use with dual pressure valves.

ADJUSTMENT OPTIONS

PRP3B-xxxx

- G** for slotted stem (internal pilot)
- H** for slotted stem (external pilot)
- K** for slotted stem with locknut (internal pilot)
- L** for slotted stem with locknut (external pilot)

Notes:

1. Regulating range for above models is 0-10 bar. For other ranges, see technical data page.
2. Valves used with above models must be external pilot models.
3. Cannot field convert regulator block from single pressure to dual pressure.
4. Cannot field convert from internal pilot to external pilot.
5. Wired for double solenoid valves.

PRP3B

TECHNICAL DATA

Fluid :	Compressed air, inert gases
Pressure range :	0 to 10 bar
Regulating range :	0 to 10 bar
Lubrication :	Not required, if used select a medium aniline point lubricant (between 80°C and 100°C)
Filtration :	40 µ
Temperature range :	-18°C to +50°C
Flow (at 6 bar, ΔP=1bar)	5400 NI/min (Cv 5.4)

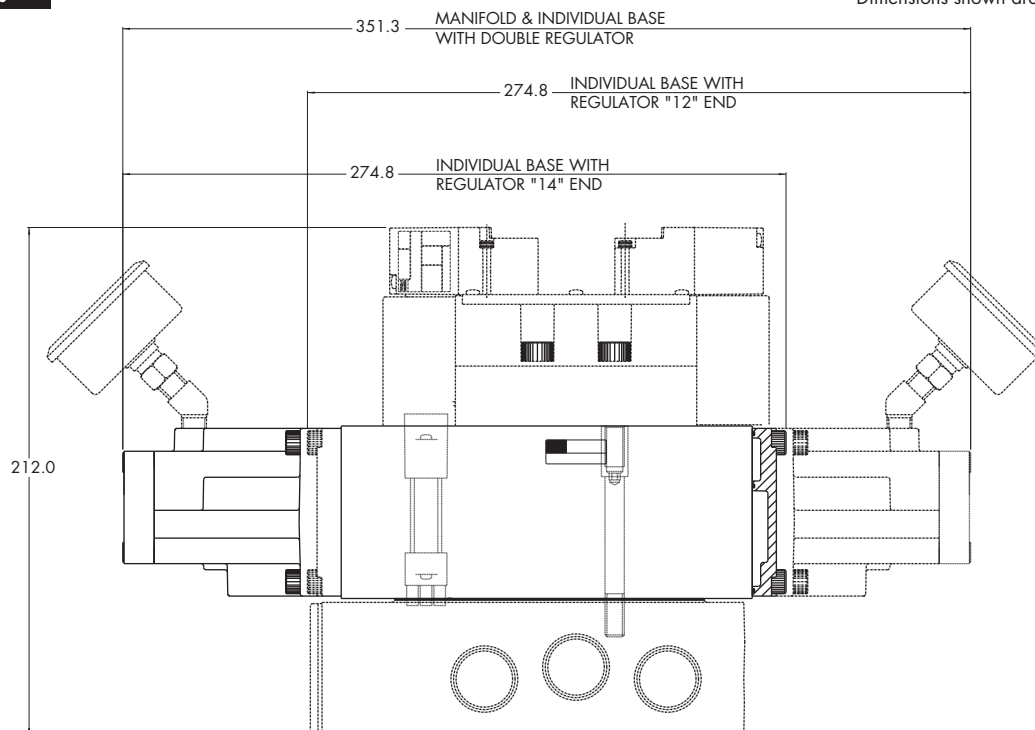
Spare parts :

- Pressure regulator (less sandwich block): PRP3B-COAA (knob), PRP3B-JOAA (slotted stem), PRP3B-MOAA (slotted stem with locknut)
- Regulating block to base mounting screw: 19457
- Regulating range options: PRP3B-xxxA

Replace by B for 0 to 6,7 bar
Replace by C for 0 to 3 bar

DIMENSIONS

Dimensions shown are metric (mm)



Plug-in sandwich pressure regulator with air pilot adjust

OPERATIONAL BENEFITS

1. Easy mounting: saves on installation costs in comparison with inline regulators.
2. Compact all-included units.
3. Large orifice provides high flow.
4. Various functions available.
5. Simple, reliable and solid design.



PR24A
PR37A
PR42B
PR46A
PR47A
PR48B

PR92C

HOW TO ORDER

REGULATORS FOR INTERNAL PILOT

Gauge	Single pressure Regulator 14 end Same regulated pressure to ports 2 and 4	Single pressure Regulator 12 end Same regulated pressure to ports 2 and 4	Dual pressure Regulator 14 end Regulated pressure to port 4 *	Dual pressure Regulator 12 end Regulated pressure to port 2 *	Dual pressure Dual regulator Two regulated pressures to ports 2 and 4 *
No gauge	PRP3B-DAAA	PRP3B-DEAA	PRP3B-DBAA	PRP3B-DFAA	PRP3B-DJAA
Glycerine gauge	PRP3B-DABA	PRP3B-DEBA	PRP3B-DBBA	PRP3B-DFBA	PRP3B-DJCA
Non-filled gauge	PRP3B-DADA	PRP3B-DEDA	PRP3B-DBDA	PRP3B-DFDA	PRP3B-DJEA

PR93A

PRA01A

PRP01A

REGULATORS FOR EXTERNAL PILOT AND REMOTE AIR

Gauge	Single pressure Regulator 14 end Same regulated pressure to ports 2 and 4	Single pressure Regulator 12 end Same regulated pressure to ports 2 and 4	Dual pressure Regulator 14 end Regulated pressure to port 4 *	Dual pressure Regulator 12 end Regulated pressure to port 2 *	Dual pressure Dual regulator Two regulated pressures to ports 2 and 4 *
No gauge	PRP3B-EAAA	PRP3B-EEAA	PRP3B-EBA A	PRP3B-EFAA	PRP3B-EJAA
Glycerine gauge	PRP3B-EABA	PRP3B-EEBA	PRP3B-EBBA	PRP3B-EFBA	PRP3B-EJCA
Non-filled gauge	PRP3B-EADA	PRP3B-EEDA	PRP3B-EBDA	PRP3B-EFDA	PRP3B-EJEA

PRA02A
PRP02A

PRA1A

PRP1A

PRA2D

PRA2B

PRA3C

* - To be used with dual pressure valves.

Notes:

1. Valves used with above models must be external pilot models.
2. Cannot field convert regulator block from single pressure to dual pressure.
3. Cannot field convert from internal pilot to external pilot.
4. Wired for double solenoid valves.

PRP3B

TECHNICAL DATA

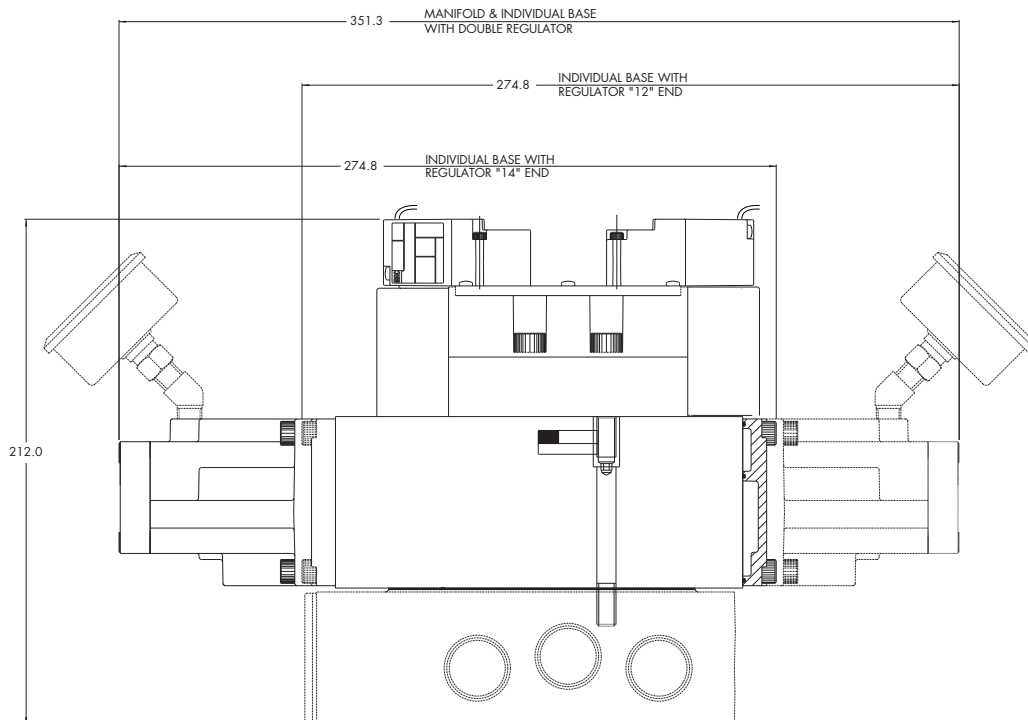
Fluid :	Compressed air, inert gases
Pressure range :	0 to 10 bar
Regulating range :	0 to 10 bar
Lubrication :	Not required, if used select a medium aniline point lubricant (between 80°C and 100°C)
Filtration :	40 µ
Temperature range :	-18°C to +50°C
Flow (at 6 bar, ΔP=1bar) :	5400 NI/min (Cv 5.4)

Spare parts :

- Pressure regulator (less sandwich block): PRP3B-F0AA
- Regulator block to base mounting screw: 19457

DIMENSIONS

Dimensions shown are metric (mm)





Section 5

Options



0 p t i o n s

Codification table for voltages / Manual operator / Electrical connection

VALVE CODE > **-DM- D XX X-X XX**
1 2 3 4

OPTIONS AVAILABLE FOR

-Pilot operated valves 52, 53, 67, 83, 92, 93, 400, ISO1, ISO2, ISO3 Series

1. VOLTAGE		4. ELECTRICAL CONNECTION	
D-XX X-X XX	VOLTAGE	D-XX X-X XX	ELECTRICAL CONNECTION
DA	24V=/5,4W	BA*	Flying leads
DB	12V=/5,4W	BK*	BA with protection diode
DC	12V=/7,5W	BL*	BA with protection varistor
DD	24V=/7,3W	BM**	Flying leads (solenoid plug-in)
DE	12V=/12,7W	BN**	BM with protection diode
DF	24V=/12,7W	BP**	BM with protection varistor
DK	110V=/4,7W	BG**	BM with ground
DJ	28V=/5,2W	BH**	BM with protection diode & ground
DL	64V=/6W	BJ**	BM with protection varistor & ground
DM	36V=/5,3W	CA*	1/2" NPS conduit with flying leads
DN	6V=/6W	CM*	1/2" NPS metal conduit with flying leads
DR	90V=/6,6W	CN*	1/2" NPS metal conduit with flying leads & ground
DS	110V=/7,3W	DG	Plug-in with ground
DT	75V=/5,6W	DH	Plug-in with diode & ground
DP	48V=/5,8W	DJ	Plug-in with M.O.V. & ground
FA	12V=/1,8W	DM	Plug-in
FB	24V=/1,8W	DN	Plug-in with diode
FE	12V=/2,4W	DP	Plug-in with M.O.V.
FF	24V=/2,4W	JB	Rectangular connector
JA	120V~/60Hz, 110V~/50Hz (2,9W)	JD	Rectangular connector with light
JB	240V~/60Hz, 220V~/50Hz (2,9W)	JM	Rectangular connector, male only
JC	24V~/60Hz, 24V~/50Hz (3,7W)	KA	Square connector
JD	100V~/60Hz, 100V~/50Hz, 110V~/60Hz (3,9W)	KB	Square connector with protection diode
JE	220V~/60Hz (3,4W)	KC	Square connector with protection varistor
JF	240V~/50Hz (2,8W)	KD	Square connector with light
JG	200V~/60Hz, 200V~/50Hz (3,9W)	KE	Square connector with light and protection diode
		KF	Square connector with light and protection varistor
		KG	Square connector with light & diode
		KJ	Square connector (male only)
		KK	Square connector with protection diode (male only)
		KL	Square connector with protection varistor (male only)
		TA	Dual tabs with receptacles
		TB	TA with protection diode
		TD	TA with light
		TE	TA with light and protection diode
		TJ	Dual tabs (male only)
		TK	TJ with protection diode
		TM	TJ with light
		TN	TJ with light and protection diode

2. WIRE LENGTH	
D-XX X-X XX	WIRE LENGTH
0	No wires
A	45 cm – 18"
B	60 cm – 24"
C	90 cm – 36"
D	120 cm – 48"
E	180 cm – 72"
F	240 cm – 96"

3. MANUAL OPERATOR	
D-XX X-X XX	MANUAL OPERATOR
0	No operator
1	Non-locking recessed
2	Locking recessed
3	Non-locking extended
4	Locking extended

* From Lead wire length options choose A through F

** From Lead wire length options choose 0 through F

Note: When coil is above 30 volts, a ground wire is required. Applies to options with flying leads.



0 p t i o n s

Codification table for voltages / Manual operator / Electrical connection

VALVE CODE >

G XX X-X XX
1 2 3 4

OPTIONS AVAILABLE FOR

- Solenoid valves 32, 34, 38, 42, 44, 48 & 48P Series

1. VOLTAGE	4. ELECTRICAL CONNECTION
------------	--------------------------

G-XX X-X XX	VOLTAGE	
AA	120V~/2,5W	Requires electrical connector with rectifier
AC	24V~/4,0W	Requires electrical connector with rectifier
DA	24V~/1,0W	
DC	24V~/1,8W	
DD	24V~/2,5W	
DE	24V~/3,0W	
DF	24V~/4,0W	
DG	12V~/1,0W	
DJ	12V~/1,8W	
DK	12V~/2,5W	
DM	12V~/3,0W	
DN	12V~/4,0W	
DR	6V~/1,8W	
DS	6V~/3,0W	
EB	48V~/1,8W	
EC	48V~/3,0W	
ED	120V~/2,5W	
GD	12V~/0,5W	34 series only
GE	24V~/0,5W	34 series only

2. WIRE LENGTH

G-XX X-X XX	WIRE LENGTH
0	No lead wires (used only with "KJ" & "KM" connectors)
A	45 cm - 18" coil leads
B	60 cm - 24" coil leads
C	90 cm - 36" coil leads
D	120 cm - 48" coil leads
E	180 cm - 72" coil leads
F	240 cm - 96" coil leads
G	305 cm - 120" coil leads
H	366 cm - 144" coil leads
1	45 cm - 18" base leads
2	60 cm - 24" base leads
3	90 cm - 36" base leads
4	120 cm - 48" base leads
5	180 cm - 72" base leads
6	240 cm - 96" base leads
7	305 cm - 120" base leads

3. MANUAL OPERATOR

G-XX X-X XX	MANUAL OPERATOR
1	Non-locking recessed
2	Locking recessed
3	Non-locking extended
4	Locking extended

G-XX X-X XX	ELECTRICAL CONNECTION
BA	Flying leads
BB	BA with ground wire
BC	BA with light
BD	BA with light and ground wire
BE	BA with suppression diode
BF	BA with suppression diode and ground wire
BG	BA with suppression diode and light
BH	BA with suppression diode, light and ground wire
BN	BA with suppression diode and blocking diode
BP	BA with suppression diode, blocking diode and ground wire
BR	BA with suppression diode, blocking diode and light
BS	BA with suppression diode, blocking diode, light and ground wire
GA	MAC JAC Solenoid plug-in
GB	MAC JAC Solenoid plug-in with diode
GC	MAC JAC Solenoid plug-in with MOV
GD	MAC JAC Solenoid plug-in with LED
GE	MAC JAC Solenoid plug-in with diode and LED
GF	MAC JAC Solenoid plug-in with MOV and LED
GG	MAC JAC Solenoid plug-in with rectifier
GH	MAC JAC Solenoid plug-in with rectifier and LED
KA	Mini connector
KB	KA with ground
KC	KA with rectifier and light
KD	KA with rectifier, light and ground
KE	KA with suppression diode
KF	KA with suppression diode and ground
KJ	Solenoid plug-in housing without wire assembly
KM	Solenoid plug-in housing with ground pin without wire assembly
KN	KA with suppression diode and blocking diode
KP	KA with suppression diode, blocking diode and ground
KT	KA with light
KU	KA with light and ground
KV	KA with suppression diode and light
KW	KA with suppression diode, light and ground
KX	KA with suppression diode, blocking diode and light
KY	KA with suppression diode, blocking diode, light & ground

ELECTRICAL CONNECTION FOR PLUG-IN VALVES
--

G-XX X-X XX	PLUG-IN OPTIONS
SB	Base plug-in with ground
SC	Base plug-in with suppression & blocking diode
SD	Base plug-in with suppression & blocking diode & ground
SE	Base plug-in with MOV
SF	Base plug-in with MOV & ground
SG	Base plug-in with rectifier
SH	Base plug-in with rectifier & ground
SK	Base plug-in with light & ground
SL	Base plug-in with suppression & blocking diode & light
SM	Base plug-in with suppression & blocking diode with light & ground
SN	Base plug-in with MOV & light
SP	Base plug-in with MOV & light with ground
SR	Base plug-in with rectifier & light



0 p t i o n s

Codification table for voltages / Manual operators / Electrical connections

VALVE CODE > **-GM- G XX X-X XX**
1 2 3 4

OPTIONS AVAILABLE FOR

- Solenoid valves 52, 83 & 400 Series

1. VOLTAGE		4. ELECTRICAL CONNECTION	
G-XX X-X XX	VOLTAGE	G-XX X-X XX	ELECTRICAL CONNECTION
DC	24 V= / 1,8 W	BA	Flying leads
DD	24 V= / 2,5 W	BB	BA with ground wire
DE	24 V= / 3,0 W	BC	BA with light parallel to leads
DF	24 V= / 4,0 W	BD	BA with light parallel to leads & ground wire
DJ	12 V= / 1,8 W	BE	BA with suppression diode
DK	12 V= / 2,5 W	BF	BA with suppression diode & ground wire
DM	12 V= / 3,0 W	BG	BA with suppression diode plus light parallel to leads
DN	12 V= / 4,0 W	BH	BA with suppression diode plus light parallel to leads & ground wire
2. WIRE LENGTH		*BN	BA with suppression diode plus blocking diode
G-XX X-X XX	WIRE LENGTH	*BP	BA with suppression diode plus blocking diode & ground wire
0	No lead wire (use only with "KJ" & "KM" electrical connectors)	*BR	BA with suppression diode plus blocking diode & light parallel to leads
A	45 cm = 18"	*BS	BA with suppression diode plus blocking diode & light parallel to leads & ground wire
B	60 cm = 24"	BT	BA with light on top
C	90 cm = 36"	BU	BA with light on top & ground wire
D	120 cm = 48"	BV	BA with suppression diode plus light on top
E	180 cm = 72"	BW	BA with suppression diode plus light on top & ground wire
F	240 cm = 96"	*BX	BA with suppression diode plus blocking diode & light on top
G	305 cm = 120"	*BY	BA with suppression diode plus blocking diode & light on top & ground wire
H	366 cm = 144"		
3. MANUAL OPERATOR		G-XX X-X XX	SOLENOID PLUG-IN CONNECTOR WITH LEADS
G-XX X-X XX	MANUAL OPERATOR	GA	MAC JAC Solenoid plug-in
1	Non-locking recessed	GB	MAC JAC Solenoid plug-in with diode
2	Locking recessed	GC	MAC JAC Solenoid plug-in with MOV
3	Non-locking extended	GD	MAC JAC Solenoid plug-in with LED
4	Locking extended	GE	MAC JAC Solenoid plug-in with diode and LED
		GF	MAC JAC Solenoid plug-in with MOV and LED
		GG	MAC JAC Solenoid plug-in with rectifier
		GH	MAC JAC Solenoid plug-in with rectifier and LED
		KA	Plug-in wire assembly
		KB	KA with ground wire
		KE	KA with suppression diode
		KF	KA with suppression diode & ground wire
		KJ	Plug-in housing without wire assembly ('KA' without wire assembly)
		KM	Plug-in housing without wire assembly ('KB' without wire assembly)
		*KN	KA with suppression diode plus blocking diode
		*KP	KA with suppression diode plus blocking diode & ground wire
		KT	KA with light on top
		KU	KA with light on top & ground wire
		KV	KA with suppression diode plus light on top
		KW	KA with suppression diode plus light & ground wire
		*KX	KA with suppression diode plus blocking diode & light on top
		*KY	KA with suppression diode plus blocking diode & light on top & ground wire

Note: Blocking diode is located in the lead wire



0 p t i o n s

Codification table for voltages / Manual operators / Electrical connections

VALVE CODE > **H XX X-X XX**
1 2 3 4

OPTIONS AVAILABLE FOR

- Solenoid valves 37 & 47 Series

1. VOLTAGE		H-XX X-X XX	ELECTRICAL CONNECTION
H-XX X-X XX	VOLTAGE	BL	BA with full wave rectifier & ground wire
AA	120 V~/ 50Hz, 120 V~/ 60Hz (6,7 W) (use connector with rectifier)	BT	BA with full wave rectifier plus light
AB	220 V~/ 50Hz, 220 V~/ 60Hz (5,6 W) (use connector with rectifier)	BU	BA with full wave rectifier plus light & ground wire
AC	240 V~/ 50Hz, 240 V~/ 60Hz (5,8 W) (use connector with rectifier)	H-XX X-X XX	PLUG-IN CONNECTOR
AD	24 V~/ 50Hz, 24 V~/ 60Hz (7,8 W) (use connector with rectifier)	FA	Base plug-in
DA	24 V=/5,2 W	FB	FA with ground wire
DB	24 V=/2,4 W	FC	FA with light
DC	24 V=/1,8 W	FD	FA with light & ground wire
DD	24 V=/1,0 W	FE	FA with suppression diode
DF	12 V=/5,2 W	FF	FA with suppression diode & ground wire
DG	12 V=/2,4 W	FG	FA with suppression diode & light
DH	12 V=/1,8 W	FH	FA with suppression diode plus light & ground wire
DJ	12 V=/1,0 W	FK	FA with full wave rectifier
DL	120 V=/6,3 W	FL	FA with full wave rectifier & ground wire
2. WIRE LENGTH		*FN	FA with suppression diode plus blocking diode
H-XX X-X XX	WIRE LENGTH	*FP	FA with suppression diode plus blocking diode & ground wire
0	No lead wire (use with "MJ", "MM" & "K" style connectors)	*FR	FA with suppression diode plus blocking diode plus light
A	45 cm = 18"	*FS	FA with suppression diode plus blocking diode & light & ground wire
B	60 cm = 24"	FT	FA with full wave rectifier plus light
C	90 cm = 36"	FU	FA with full wave rectifier plus light & ground wire
D	120 cm = 48"	MA	Solenoid plug-in wire assembly
E	180 cm = 72"	MB	MA with ground wire
F	240 cm = 96"	MC	MA with light
G	305 cm = 120"	MD	MA with light & ground wire
H	366 cm = 144"	ME	MA with suppression diode
3. MANUAL OPERATOR		MF	MA with suppression diode & ground wire
H-XX X-X XX	MANUAL OPERATOR	MG	MA with suppression diode plus light
0	No operator	MH	MA with suppression diode plus light & ground wire
1	Non-locking recessed	MK	MA with full wave rectifier
2	Locking recessed	ML	MA with full wave rectifier & ground wire
3	Non-locking extended	*MN	MA with suppression diode plus blocking diode
4	Locking extended	*MP	MA with suppression diode plus blocking diode & ground wire
4. ELECTRICAL CONNECTION		*MR	MA with suppression diode plus blocking diode & light
H-XX X-X XX	ELECTRICAL CONNECTION	*MS	MA with suppression diode plus blocking diode & light & ground wire
BA	Flying leads	MT	MA with full wave rectifier plus light
BB	BA with ground wire	MU	MA with full wave rectifier plus light & ground wire
BC	BA with light	MJ	Plug-in housing without wire assembly ('MA' option without wire assembly)
BD	BA with light & ground wire	MM	Plug-in housing without wire assembly ('MB' option without wire assembly)
BE	BA with suppression diode	KA	Mini square connector
BF	BA with suppression diode & ground wire	KB	KA with suppression diode
BG	BA with suppression diode plus light	KC	KA with M.O.V.
BH	BA with suppression diode plus light & ground wire	KD	KA with light
*BN	BA with suppression diode plus blocking diode	KE	KA with light & suppression diode
*BP	BA with suppression diode plus blocking diode & ground wire	KF	KA with light & M.O.V.
*BR	BA with suppression diode plus blocking diode & light	KJ	Mini square connector – male only
*BS	BA with suppression diode plus blocking diode & light & ground wire	KK	KJ with suppression diode
BK	BA with full wave rectifier	KL	KJ with M.O.V.
		KM	KA with full wave rectifier
		KN	KA with full wave rectifier & M.O.V.
		KP	KA with full wave rectifier & light
		KR	KA with full wave rectifier plus light & M.O.V.
		KS	KJ with full wave rectifier

Note: Blocking diode is located in the lead wire



0 p t i o n s

Codification table for voltages / Manual operators / Electrical connections

VALVE CODE >

J XX X-X XX
1 2 3 4

OPTIONS AVAILABLE FOR

- Solenoid valves 36, 46, 68, 69, ISO 01 and ISO 02 (non plug-in) Series.

1. VOLTAGE		J-XX X-X XX	ELECTRICAL CONNECTION
J-XX X-X XX	VOLTAGE	*JJ	Square connector Male only (Plain)
AA	120V~/5,4W	*JK	Square connector with rectifier
AC	24V~/5,4W	*JL	Square connector with rectifier with light
DE	24V~/1,8W	*JM	Rectangular connector Male only (Plain)
DF	12V~/1,8W	*JN	Rectangular connector with diode
DJ	24V~/1,3W	*JP	Rectangular connector with MOV
DL	12V~/1,3W	*JR	Rectangular connector with diode/ light
DR	12V~/1,0W*	*JS	Rectangular connector with MOV/ light
DU	24V~/1,0W*	*JT	Rectangular connector with rectifier
* Not available on 36 series universal valves		*JU	Rectangular connector with rectifier with light
2. WIRE LENGHT		* Not available on manifold or stacking valves	
J-XX X-X XX	WIRE LENGHT	J-XX X-X XX	MINI SQUARE PLUG-IN CONNECTORS 9,4 MM SPACING BETWEEN PINS
A	45 cm – 18" coil leads	KA	Mini plug-in
B	60 cm – 24" coil leads	KB	Mini plug-in with diode
C	90 cm – 36" coil leads	KC	Mini plug-in with MOV
D	120 cm – 48" coil leads	KD	Mini plug-in with light
E	180 cm – 72" coil leads	KE	Mini plug-in with diode and light
F	240 cm – 96" coil leads	KF	Mini plug-in with MOV and light
P	Base plug-in	KG	Mini plug-in with rectifier
O	No leads (use with J, K & L type connectors)	KH	Mini plug-in with rectifier and light
3. MANUAL OPERATOR		KJ	Mini plug-in – Male only
J-XX X-X XX	MANUAL OPERATOR	KK	Mini plug-in with diode - Male only
0	No operator	KL	Mini plug-in with MOV - Male only
1	Non-locking recessed	KM	Mini plug-in with light - Male only
2	Locking recessed	KN	Mini plug-in with diode and light – Male only
3	Non-locking extended	KP	Mini plug-in with MOV and light – Male only
4	Locking extended	KR	Mini plug-in with rectifier – Male only
4. ELECTRICAL CONNECTION		KS	Mini plug-in with rectifier and light – Male only
J-XX X-X XX	ELECTRICAL CONNECTION	* Not available on manifold or stacking valves	
BA	Flying leads	J-XX X-X XX	CONNECTORS FOR NON PLUG-IN VALVES MINI SQUARE PLUG-IN CONNECTORS 8.0 MM SPACING BETWEEN PINS ISO SPECIFICATION 15217
GA	MAC JAC solenoid plug-in	LA	Mini plug-in
GB	MAC JAC solenoid plug-in with diode	LB	Mini plug-in with diode
GC	MAC JAC solenoid plug-in with MOV	LC	Mini plug-in with MOV
GD	MAC JAC solenoid plug-in with light	LD	Mini plug-in with light
GE	MAC JAC solenoid plug-in with diode and light	LE	Mini plug-in with diode and light
GF	MAC JAC solenoid plug-in with MOV and light	LF	Mini plug-in with MOV and light
GG	MAC JAC solenoid plug-in with rectifier	LG	Mini plug-in with rectifier
GH	MAC JAC solenoid plug-in with rectifier and light	LH	Mini plug-in with rectifier and light
GJ	MAC JAC solenoid plug-in – Male only	LJ	Mini plug-in – Male only
GK	MAC JAC solenoid plug-in with diode – Male only	LK	Mini plug-in with diode - Male only
GL	MAC JAC solenoid plug-in with MOV – Male only	LL	Mini plug-in with MOV - Male only
GM	MAC JAC solenoid plug-in with light – Male only	LM	Mini plug-in with light - Male only
GN	MAC JAC solenoid plug-in with diode and light – Male only	LN	Mini plug-in with diode and light – Male only
GP	MAC JAC solenoid plug-in with MOV and light – Male only	LP	Mini plug-in with MOV and light – Male only
GR	MAC JAC solenoid plug-in with rectifier – Male only	LR	Mini plug-in with rectifier – Male only
GS	MAC JAC solenoid plug-in with rectifier and light – Male only	LS	Mini plug-in with rectifier and light – Male only
*JA	Square connector	J-XX X-X XX	CONNECTORS FOR PLUG-IN VALVES
*JB	Rectangular connector	FA	Base plug-in
*JC	Square connector with light	FB	Base plug-in with diode
*JD	Rectangular connector with light	FC	Base plug-in with MOV
*JE	Square connector with diode	FD	Base plug-in with light
*JF	Square connector with MOV	FE	Base plug-in with diode and light
*JG	Square connector with diode/ light	FF	Base plug-in with MOV and light
*JH	Square connector with MOV/ light	FG	Base plug-in with rectifier
		FH	Base plug-in with rectifier and light



0 p t i o n s

Codification table for voltages / Manual operators / Electrical connections

VALVE CODE >

L **XX** **X-X** **XX**
1 2 3 4

OPTIONS AVAILABLE FOR

- Solenoid valves 32, 38, 42, 44, 47 & 48 Series



1. VOLTAGE (32, 38, 42, 44, 48 SERIES)		1. VOLTAGE (47 SERIES)	
L-XX X-X XX	VOLTAGE	L-XX X-X XX	VOLTAGE
DF	24V=/4,0W	DA	24V=/5,2W
DN	12V=/4,0W	DF	12V=/5,2W
HA	24V=/1,95W		
HE	12V=/1,95W		
2. WIRE LENGTH			
L-XX X-X XX	WIRE LENGTH		
O	No lead wire		
A	45 cm – 18"		
B	60 cm – 24"		
C	90 cm – 36"		
D	120 cm – 48"		
E	180 cm – 72"		
F	240 cm – 96"		
G	300 cm – 120"		
H	365 cm – 144"		
3. MANUAL OPERATOR (all series)			
L-XX X-X XX	MANUAL OPERATOR		
O	No operator		
4. ELECTRICAL CONNECTOR (32, 38, 42, 44 & 48 series)		4. ELECTRICAL CONNECTOR (47 series)	
L-XX X-X XX	NON PLUG-IN	L-XX X-X XX	NON PLUG-IN
BA	2 wire flying leads	BA	2 wire flying leads
BB	2 wire flying leads with ground wire	BB	2 wire flying leads with ground wire
BC	2 wire flying leads with light	BC	2 wire flying leads with light
BD	2 wire flying leads with light & ground wire	BD	2 wire flying leads with light & ground wire
BJ	4 wire flying leads	BJ	4 wire flying leads
BK	4 wire flying leads with ground	BK	4 wire flying leads with ground
BL	4 wire flying leads with light	BL	4 wire flying leads with light
BM	4 wire flying leads with light & ground wire	BM	4 wire flying leads with light & ground wire
KA	2 wire plug-in assembly	EA	Base plug-in 3 pin (Polarity switching cover)
KB	2 wire plug-in assembly with ground wire	LA	3 wire plug-in assembly (Polarity switching cover)
KC	2 wire plug-in assembly with light	MA	2 wire plug-in assembly
KD	2 wire plug-in assembly with light and ground wire	MB	2 wire plug-in assembly with ground wire
KE	4 wire plug-in assembly	MC	2 wire plug-in assembly with light
KF	4 wire plug-in assembly with ground wire	MD	2 wire plug-in assembly with light and ground wire
KG	4 wire plug-in assembly with light	ME	4 wire plug-in assembly
KH	4 wire plug-in assembly with ground wire with light	MF	4 wire plug-in assembly with ground wire
LA	3 wire plug-in assembly (polarity switching cover)	MG	4 wire plug-in assembly with light
		MH	4 wire plug-in assembly with light and ground wire
L-XX X-X XX	PLUG-IN	L-XX X-X XX	PLUG-IN
*DA	Base plug-in	EA	Base plug-in 3 pin (Polarity switching cover)
*DB	Base plug-in with ground pin	FA	Base plug-in with ground
*DC	Base plug-in with light	FB	Base plug-in with ground & light
*DD	Base plug-in with light & ground pin	FC	Base plug-in 4 wire with ground
**EA	Base plug-in 3 pin (Polarity switching cover)	FD	Base plug-in 4 wire with light & ground

* Use these options for plug-in base with 2 or 4 wire assemblies
 ** Use this option for plug-in bases with 3 wire assemblies

Note: FA through FD options are for use with plug-in manifold bases.



0 p t i o n s

Codification table for voltages / Manual operators / Electrical connections

VALVE CODE > **EXX-R XX X - X XX**
1 2 3 4 5

OPTIONS AVAILABLE FOR

- Solenoid valves 24 & 23 series



1. PILOT OPTION

E XX - RXX X- X XX VOLTAGE	
M2	12mm – muffled exhaust
P2	12mm – piped exhaust (M3)
M7	17mm – muffled exhaust
P7	17mm – piped exhaust (M3)

2. VOLTAGE

E XX - RXX X- X XX VOLTAGE	
DB	24 VDC (1.0W)
DC	24 VDC (1.8W)
DD	24 VDC (2.5W)
DE	24 VDC (3.0W)
DF	24 VDC (4.0W)
DH	12 VDC (1.0W)
DJ	12 VDC (1.8W)
DK	12 VDC (2.5W)
DL	12 VDC (3.0W)
DM	12 VDC (4.0W)

3. WIRE LENGHT

E XX - RXX X- X XX WIRE LENGHT	
0*	No lead wire
A	45 cm - 18"
B	60 cm - 24"
C	90 cm - 36"
D	120 cm - 48"
E	180 cm - 72"
F	240 cm - 96"
G	300 cm - 120"
H	365 cm - 144"
P	Base plug-in (24 Series plug-in)

* Not available for flying leads connector

4. MANUAL OPERATOR

E XX - RXX X- X XX MANUAL OPERATOR	
0	No operator
1	Non-locking recessed
3	Non-locking extended

5. ELECTRICAL CONNECTION

ELECTRICAL CONNECTIONS FOR NON PLUG-IN VALVES
E XX - RXX X- X XX

BA	Flying leads
BB	Flying leads with LED
BC	Flying leads with MOV
BD	Flying leads with LED and MOV
RA	Mini JAC solenoid plug-in
RB	Mini JAC solenoid plug-in with LED
RC	Mini JAC solenoid plug-in with MOV
RD	Mini JAC solenoid plug-in with LED and MOV
TA	JST solenoid plug-in
TB	JST solenoid plug-in with LED
TC	JST solenoid plug-in with MOV
TD	JST solenoid plug-in with LED and MOV

ELECTRICAL CONNECTIONS FOR PLUG-IN VALVES
E XX - RXX X- X XX

FA	Base plug-in
FB	Base plug-in with LED
FC	Base plug-in with MOV
FD	Base plug-in with LED and MOV



0 p t i o n s

Codification table for voltages / Manual operators / Electrical connections

VALVE CODE > **RM-R XX X - X XX**
1 2 3 4

OPTIONS AVAILABLE FOR

- Solenoid valves 83 series

1. VOLTAGE		3. MANUAL OPERATOR	
R XX X - XXX	VOLTAGE	R XX X - XXX	MANUAL OPERATOR
DB	24 VDC (1.0W)	0	No operator
DC	24 VDC (1.8W)	1	Non-locking recessed
DD	24 VDC (2.5W)	3	Non-locking extended
DE	24 VDC (3.0W)		
DF	24 VDC (4.0W)		
DH	12 VDC (1.0W)		
DJ	12 VDC (1.8W)		
DK	12 VDC (2.5W)		
DL	12 VDC (3.0W)		
DM	12 VDC (4.0W)		
2. WIRE LENGHT		4. ELECTRICAL CONNECTION	
R XX X - XXX	WIRE LENGHT	R XX X - XXX	ELECTRICAL CONNECTION
0	No lead wire	BA	Flying leads
A	45 cm - 18"	BB	Flying leads with LED
B	60 cm - 24"	BC	Flying leads with MOV
C	90 cm - 36"	BD	Flying leads with LED and MOV
D	120 cm - 48"	RA	Mini JAC solenoid plug-in
E	180 cm - 72"	RB	Mini JAC solenoid plug-in with LED
F	240 cm - 96"	RC	Mini JAC solenoid plug-in with MOV
G	300 cm - 120"	RD	Mini JAC solenoid plug-in with LED and MOV
H	365 cm - 144"	TA	JST solenoid plug-in
		TB	JST solenoid plug-in with LED
		TC	JST solenoid plug-in with MOV
		TD	JST solenoid plug-in with LED and MOV



0 p t i o n s

Codification table for voltages / Manual operators / Electrical connections

VALVE CODE > **R XX X - X XX**
1 2 3 4

OPTIONS AVAILABLE FOR

- Solenoid valves 33 , 43, Iso 01 plug-in, Iso 02 plug-in Series

1. VOLTAGE

R XX X - XXX	VOLTAGE
DB	24 VDC (1.0W)
DC	24 VDC (1.8W)
DD	24 VDC (2.5W)
DE	24 VDC (3.0W)
DF	24 VDC (4.0W)
DH	12 VDC (1.0W)
DJ	12 VDC (1.8W)
DK	12 VDC (2.5W)
DL	12 VDC (3.0W)
DM	12 VDC (4.0W)
EA*	24 VDC (60W)
EB*	24 VDC (90W)
EC*	24 VDC (230W)

* MOD numbers required for these voltages (consult factory)

2. WIRE LENGHT

R XX X - XXX	WIRE LENGHT
O*	No lead wire
A	45 cm - 18"
B	60 cm - 24"
C	90 cm - 36"
D	120 cm - 48"
E	180 cm - 72"
F	240 cm - 96"
G	300 cm - 120"
H	365 cm - 144"
P	Base plug-in

* Not available for flying leads connector

3. MANUAL OPERATOR

R XX X - XXX	MANUAL OPERATOR
0	No operator
1	Non-locking recessed
3	Non-locking extended

4. ELECTRICAL CONNECTION

ELECTRICAL CONNECTION FOR NON PLUG-IN VALVES

R XX X - XXX	
BA	Flying leads
BB	Flying leads with LED
BC	Flying leads with MOV
BD	Flying leads with LED and MOV
DA	Base plug-in
DB	Base plug-in with LED
DC	Base plug-in with MOV
DD	Base plug-in with LED and MOV
RA	Mini JAC solenoid
RB	Mini JAC solenoid with LED
RC	Mini JAC solenoid with MOV
RD	Mini JAC solenoid with LED and MOV
TA	JST solenoid plug-in
TB	JST solenoid plug-in with LED
TC	JST solenoid plug-in with MOV
TD	JST solenoid plug-in with LED and MOV

ELECTRICAL CONNECTION FOR PLUG-IN VALVES

R XX X - XXX	
PA	Base plug-in
PB	Base plug-in with light
PC	Base plug-in with MOV
PD	Base plug-in with light and MOV



0 p t i o n s

Codification table for voltages / Manual operators / Electrical connections

VALVE CODE > **TM-D** XX X - X XX
 1 2 3 4

OPTIONS AVAILABLE FOR

- Solenoid valves 83 series (double operator)

1. VOLTAGE

D XX X - XXX	VOLTAGE
AA	120 V~/60 Hz, 110V~/50Hz
AB	240 V~/60 Hz, 220V~/50Hz
AC	24 V~/60 Hz, 24V~/50Hz
AD	24 V~/60 Hz
AE	200 V~/60 Hz
AF	240 V~/50 Hz
AG	100 V~/50 Hz, 100V~/60Hz, 110 V~/ 60 Hz
DA	24V=/5.4W
DB	12V=/5.4W
DC	12V=/7.5W
DD	24V=/7.3W
DE	12V=/12.7W CLSF only
DF	24V=/12.7W CLSF only
DK	110V=/4.7W
DL	64V=/6W
DM	36V=/5.3W
DN	6V=/6W
DP	18V=/5.8W
DU	24V=/6W
EA	12V=/6W
FA	12V=/1.8W
FB	24V=/1.8W
FE	12V=/2.4W
FF	24V=/2.4W

2. WIRE LENGHT

D XX X - XXX	WIRE LENGHT
A	45 cm - 18"
B	60 cm - 24"
C	90 cm - 36"
D	120 cm - 48"
E	180 cm - 72"
F	240 cm - 96"
J	For external plug-in connectors ("J", "K", and "T" type electrical connection)

3. MANUAL OPERATOR

D XX X - XXX	MANUAL OPERATOR
0	No operator
1	Non-locking recessed
2	Locking recessed
3	Non-locking extended
4	Locking extended

4. ELECTRICAL CONNECTION

D XX X - XXX	ELECTRICAL CONNECTION
BA	Flying leads
BK	BA with protection diode
BL	BA with protection variator (MOV)
JB	Rectangular connector
JD	Rectangular connector with light
JM	Rectangular connector, male only
KA	Square connector
KB	Square connector with protection diode
KC	Square connector with protection variator (MOV)
KD	Square connector with light
KE	Square connector with light and protection diode
KF	Square connector with light and protection variator (MOV)
KG	Square connector with light and diode
KJ	Square connector, male only
KK	Square connector with protection diode (male only)
KL	Square connector with protection variator (male only) (MOV)
TA	Dual tabs
TB	TA with protection diode
TD	TA with light
TE	TA with light and protection diode
TJ	Dual tabs (male only)
TK	TJ with protection diode
TM	TJ with light
TN	TJ with light and protection diode



0 p t i o n s

Codification table for voltages / Manual operators / Electrical connections

VALVE CODE > **T XX X - X XX**
1 2 3 4

OPTIONS AVAILABLE FOR

- Solenoid valves 31 and 41 Series



1. VOLTAGE		3. MANUAL OPERATOR	
T XX X - XXX	VOLTAGE	T XX X - XXX	MANUAL OPERATOR
DC	24 VDC (1.8W)	0	No operator
DD	24 VDC (2.5W)	1	Recessed non-locking
DE	24 VDC (3.0W)	3	Extended non-locking
DF	24 VDC (4.0W)		
DJ	12 VDC (1.8W)		
DK	12 VDC (2.5W)		
DL	12 VDC (3.0W)		
DM	12 VDC (4.0W)		
FA*	24 VDC (60W)		
FB*	24 VDC (90W)		
FC*	24 VDC (230W)		
* MOD numbers required for these voltages (consult factory)			
2. WIRE LENGHT		4. ELECTRICAL CONNECTION	
T XX X - XXX	WIRE LENGHT	T XX X - XXX	ELECTRICAL CONNECTION
A	45 cm - 18"	BA	Flying leads
B	60 cm - 24"		
C	90 cm - 36"		
D	120 cm - 48"		
E	180 cm - 72"		
F	240 cm - 96"		
G	300 cm - 120"		
H	365 cm - 144"		



PRECAUTIONS CONCERNING THE APPLICATION, INSTALLATION AND SERVICE OF MAC VALVES

The precautions below are important to be read and understood before designing into a system any MAC valve, and before installing or servicing any MAC valve. Improper use, installation or servicing of any MAC valve in some systems could create a hazard to personnel or equipment.

APPLICATION PRECAUTIONS :

INDUSTRIAL USE -

MAC valves are intended for general use in industrial pneumatic and/or vacuum systems. They are general purpose industrial valves with literally thousands of different applications in industrial systems. These products are not inherently dangerous, but they are only a component of an overall system. The system in which they are used must provide adequate safeguards to prevent injury or damage in the event failure occurs, whether it be failure of switches, regulators, cylinders, valves or any other component.

POWER PRESSES -

MAC valves are not designed nor intended to be used to operate and/or control the operation of clutch and/or brake systems on power presses. There are special products on the market for such use.

2-POSITION VALVES -

Some MAC valves are 2-position, 4-way valves. When air is supplied to the inlet port(s) of these valves, there will always be a flow path from the inlet to one of the outlets regardless of which of the two positions the valve is situated. Therefore, if pressurized air retained in the system would present a hazard in the application or servicing of the valve or system, a separate method in the system must be provided to remove the trapped air.

3- POSITION VALVES-

Some MAC valves are 3-position, 4-way valves. These valves are either double solenoid or double remote air operated.

If either of the two operators is in control, air supplied to the inlet port(s) will pass through the valve to one of the outlets as on 2-position, 4-way valves. However, if neither operator is in control, the valve moves to a center position. Listed below are the various center position functions :

A. CLOSED CENTER-

With this type valve, when in the center position all ports are blocked (inlets and exhausts) meaning the air at both outlet ports is trapped. If trapping the air in both outlet ports would present a hazard in the application or servicing, a separate method in the system must be provided to remove the trapped air or this type valve should not be used.

B. OPEN CENTER-

With this type valve, when in the center position, the inlet port(s) is blocked and the two outlet ports are open to the exhaust port(s) of the valve. If having no air in either outlet port would present a hazard in the application or servicing, this type valve should not be used.

C. PRESSURE CENTER-

With this type valve, when in the center position, the inlet port(s) is connected to both outlet ports of the valve. If having pressurized air to either or both outlet ports would present a hazard in the application or servicing of the valve or system, a separate method in the system must be provided to remove the retained air.

OPERATING SPECIFICATIONS -

MAC valves are to be installed only on applications that meet all operating specifications described in the MAC catalog for the valve.

MANUAL OPERATORS-

Most MAC valves can be ordered with manual operators. Manual operators when depressed, are designed to shift the valve to the same position as would the corresponding solenoid or remote air pilot operator if it were activated. Care must be taken to order a type, if any, that will be safe for the physical location of the manual

operator in the system. Accidental activation of a manual operator could create a dangerous situation. If intentional or accidental operation of a valve by a manual operator could create a dangerous situation then the "no operator" option should be used.

REMOTE AIR OPERATED VALVES

Pilot valves supplying signal pressure to remote air operated valves should be 3-way valves with adequate supply and exhaust capacity to provide positive pressurizing and exhausting of the pilot supply line. Pilot lines should be open to exhaust when valves are deenergized.

INSTALLATION PRECAUTIONS :

- A. Do not install MAC valves on a machine without first turning off air (bleed system completely) and electricity to the machine.
- B. MAC valves should only be installed by qualified, knowledgeable personnel who understand how the specific valve is to be pneumatically piped and electrically connected (where applicable). Flow paths through the valve are shown in the catalog and on the valve by use of ANSI or ISO type standard graphic symbols. Do not install unless these symbols and the valve functions and operations are thoroughly understood.

SERVICE PRECAUTIONS :

- A. Do not service or remove from service any MAC valve without first shutting off both the air and electricity to the valve and making certain no pressurized air which could present a hazard is retained in the system.
- B. MAC valves should only be serviced or removed from service by qualified, knowledgeable personnel who understand how the specific valve is piped and used and whether there is air retained in the connecting lines to the valve or electric power still connected to the valve.
- C. MAC valves are never to be stepped on while working on a machine. Damage to the valve, or lines to the valve (either air or electrical lines) or accidental activating of a manual operator on the valve could result in a dangerous situation.

WARNING:

Under no circumstances are Mac valves to be used on power presses for air clutch and/or brake operations where failure of the valve to operate as intended could in any way jeopardize the safety of the operator or any other person. Under no circumstances are Mac valves to be used in any circuit or in any manner intended to prevent unintended operation of any machinery or other equipment where failure of the valve to operate as intended could jeopardize the safety of the operator or any other person. Air valves are not safety devices nor should they be used in safety systems of any type.



MAC Valves Product Warranty Information

MAC VALVES Warranty, Warranty Limitations

The MAC Valves organization has established a reputation over many years for fulfilling the needs and requirements of the users of its products. All MAC Valves are quality products specifically designed and built for long and rugged service. For this reason, MAC Valves is able to provide the Buyer a limited warranty.

WARRANTY:

MAC Valves, Inc. hereby warrants to Buyer that, for a period of 18 months from the original date of shipment of each valve from our factory ("Warranty Period"), such valve will be free from significant defects in material and workmanship and will conform to all specifications agreed to by MAC Valves, Inc.. In addition, MAC Valves, Inc. warrants that the electrical coils on such valves will be free from significant defects in material and workmanship for their normal useful life. EXCEPT FOR THESE LIMITED WARRANTIES, MAC VALVES, INC. EXPRESSLY DISCLAIMS ALL REPRESENTATIONS AND WARRANTIES OF ANY KIND (WHETHER EXPRESS, IMPLIED OR ARISING BY OPERATION OF LAW) WITH RESPECT TO THE VALVES, INCLUDING, WITHOUT LIMITATION, ANY WARRANTIES OR REPRESENTATIONS AS TO MERCHANTABILITY, FITNESS FOR A PARTICULAR PURPOSE OR ANY OTHER MATTER. THIS SECTION SURVIVES THE EXPIRATION, TERMINATION OR CANCELLATION OF ANY AGREEMENTS BETWEEN THE PARTIES RELATING TO THE PURCHASE OF THE VALVES.

WARRANTY LIMITATIONS:

This Warranty does not apply where the valves have been (i) subjected to abuse, misuse, damage, neglect, negligence, accident, improper testing, improper installation, improper storage, improper handling, abnormal physical stress, abnormal environmental condition, or use contrary to any instructions issued by MAC Valves, Inc.; (ii) modified, reconstructed, repaired, or altered by persons other than MAC Valves, Inc. or its authorized representative; or (iii) used with any third-party product, hardware, software or other product that has not been previously approved in writing by MAC Valves, Inc. Additionally, this Warranty does not cover claims for labor, material, time or transportation, and does not apply to loss or damage caused by fire, theft, riot, explosion, labor dispute, act of God, or other causes beyond the control of MAC Valves, Inc.

EXCLUSIVE REMEDY:

The Buyer's sole remedy under this Warranty is limited to the replacement or rebuilding of any valve which does not conform to the warranties provided herein or, in MAC Valves, Inc.'s sole discretion, refund of the purchase price for the non-conforming valve. Buyer's remedy is conditioned on Buyer's compliance with its obligations under this Warranty. Valves that Buyer believes do not conform to this Warranty must be returned (with or without bases) transportation prepaid and received at our factory within the Warranty Period. If MAC Valves, Inc. determines that the valve is non-conforming and is otherwise covered by this Warranty, the rebuilt or replaced valve will be returned to the customer at the expense of MAC Valves, Inc. MAC VALVES, INC. WILL NOT BE RESPONSIBLE FOR ANY INCIDENTAL, SPECIAL, EXEMPLARY OR CONSEQUENTIAL DAMAGES, INCLUDING WITHOUT LIMITATION DIRECT AND INDIRECT LOST PROFITS, REGARDLESS OF WHETHER THOSE DAMAGES WERE FORESEEABLE.