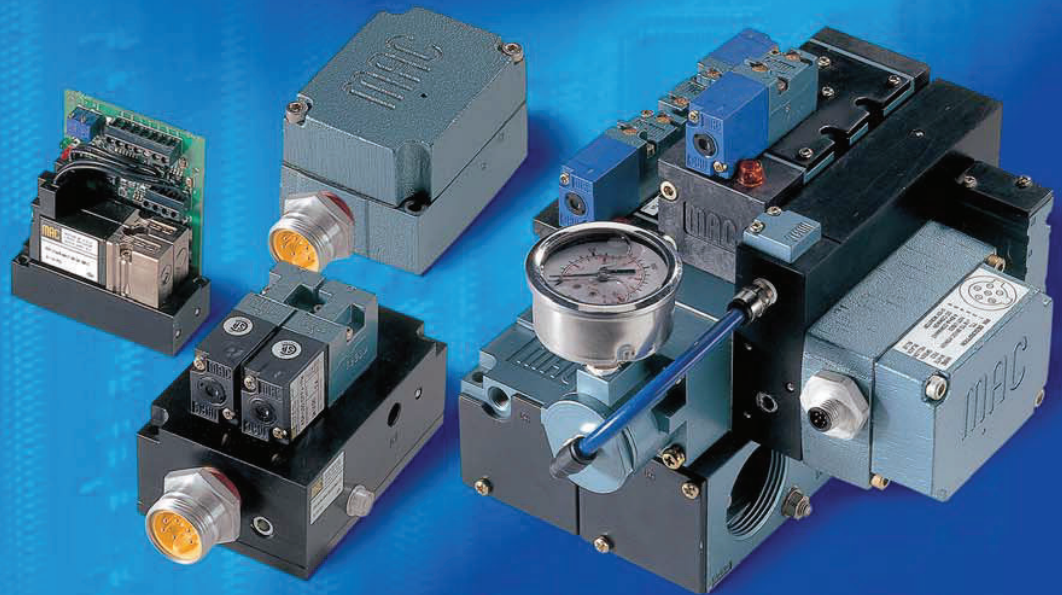
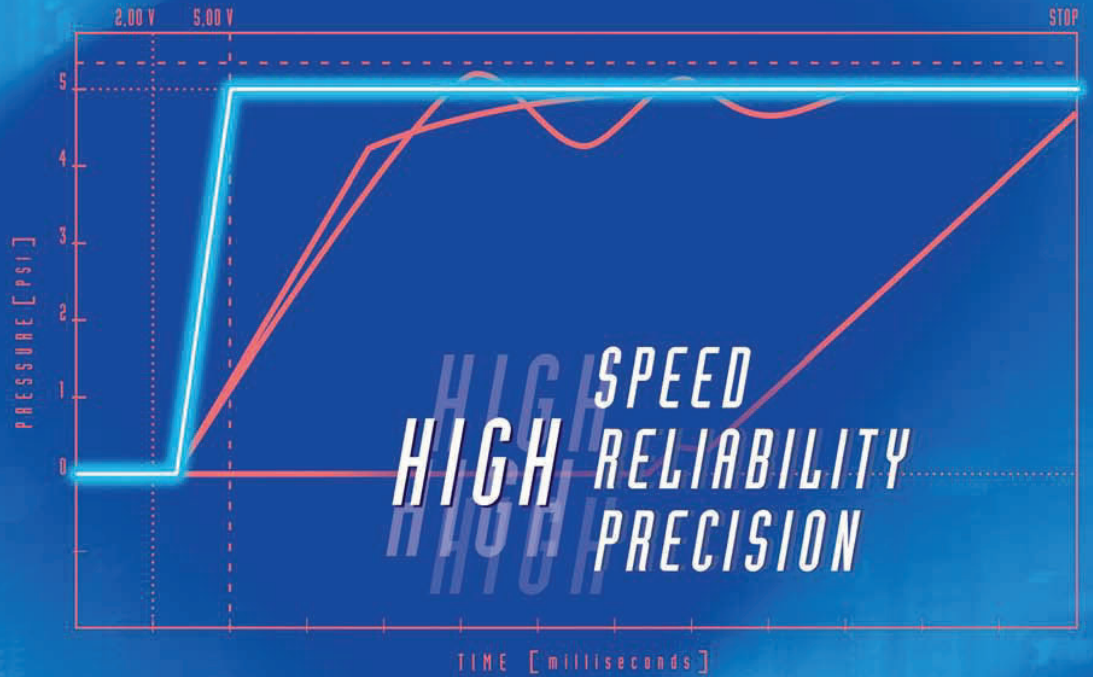


®

MAC

V A L V E S

Proportional Pressure Controller

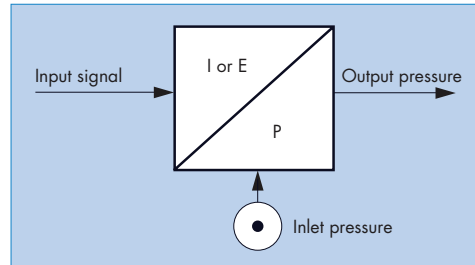




	Page
Introduction	3
Section 1 Proportional Pressure Controller	9
Section 2 Proportional Quick Exhaust	65
Section 3 Pressure Control Systems	77

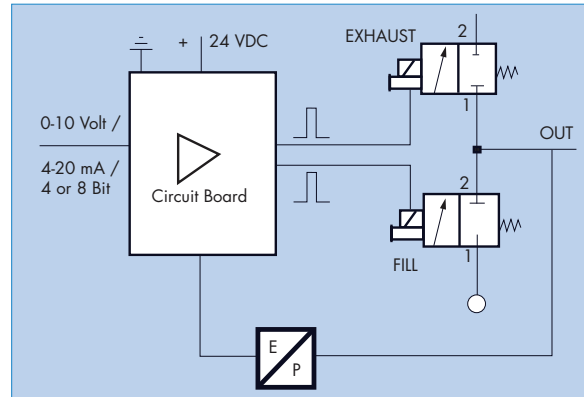
I. Introducing : Proportional Pressure Controller

The MAC Proportional Pressure Controller, (PPC) is an innovative product which converts an electrical signal into a proportional pneumatic output. The PPC is unlike conventional I/P or V/P transducers. It offers much more in terms of performance, features, and reliability.



The key to the MAC PPCs are two MAC 34, 45, 400, 47, 92 or 93 Series valves that are used to control the output pressure. The valves are operated by the PPCs closed loop electronic control circuit. Feedback is obtained from one or two transducers. The balanced poppet, fast response, and high flow of these two MAC Valves provide outstanding performance characteristics for the PPC.

The PPC controls output pressure by constantly measuring its downstream pressure and comparing it to the command signal. If a higher pressure is commanded the PPC quickly responds by actuating the MAC fill valve, increasing the output pressure until it is equal to the pressure represented by the command signal. Conversely, if a lower pressure is required, the PPC will energize the MAC exhaust valve, decreasing output pressure until the correct pressure is achieved. All of this happens very quickly to smoothly maintain the correct pressure.



This approach to pressure control provides a small, light, and cost effective unit. Unlike voice coil units, the PPC is not affected by vibration or mounting position. Unlike large direct solenoid proportional units, the PPC is small and light, drawing little power, and producing little heat. Unlike units that utilize unbalanced air valves, the PPCs balanced valves provide high flow and extremely fast and repeatable response times as well as eliminating “undershoot” and “overshoot” problems normally associated with unbalanced valve designed units. Other proportional products often incorporate valves from third party manufactures. All MAC PPCs utilize only fast shifting, repeatable, high flow, long life MAC Valves as fill and exhaust valves.

II. Configuration

The PPC is available in many configurations.

The PPC5C can be ordered with a single or dual transducer, with an analog or digital command signal, for pressure or vacuum service. All other PPCs can be ordered with a single transducer with an analog command signal.

Single transducer PPCs can be configured with internal sensing (stand alone) or with external sensing (e.g. for Proportional Multi-Pressure Pak®). Dual transducer PPCs are available for controlling other devices such as boosters.

PPCs with analog or digital command signal are chosen following the command device available for the application.

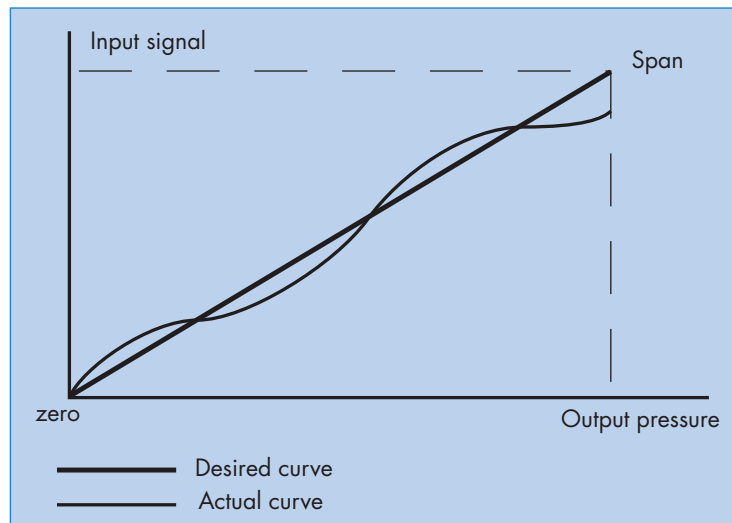
Most PPC Series are available as covered or coverless devices. Coverless PPCs are intended for use in cabinets or areas protected from moisture while covered PPCs can be used in unprotected environments (Washdown).

MAC offers a multitude of special modifications designed to meet customers specific application requirements. Please contact your local MAC distributor for consultation if our standard product options do not fulfill your requirements.

III. Specifications

LINEARITY

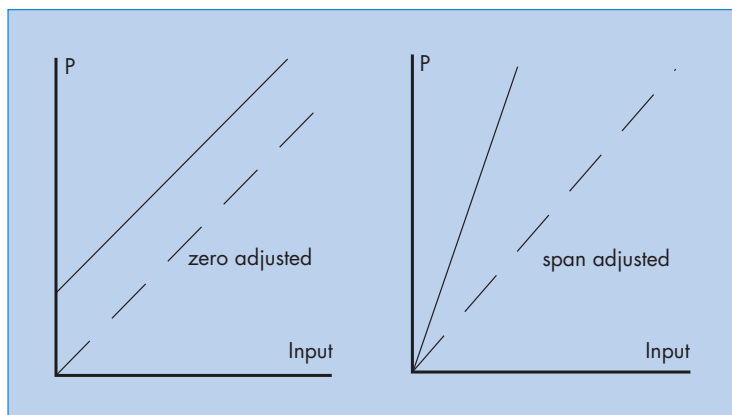
The linearity parameter shows the capability of the unit to follow the input signal according to an ideal straight line curve. MAC PPCs exhibit excellent linearity throughout the pressure range. The deviation is measured in \pm % of full scale.



LIMITS OF ADJUSTMENT

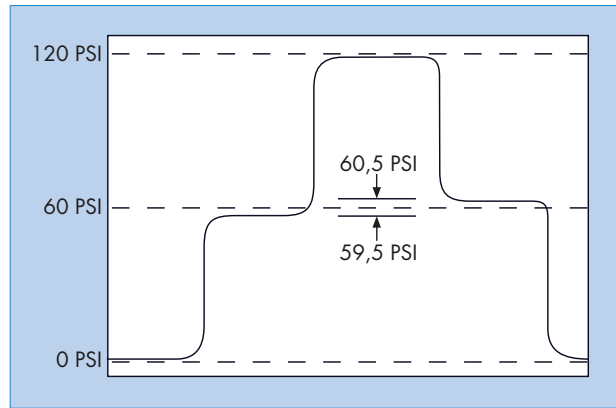
For single transducer models, two parameters can be adjusted. Primarily these should be set by the factory but can be done in the field if absolutely necessary. The first parameter is the ZERO adjust, the second is the SPAN adjust. These parameters provide the possibility of customizing the PPC according to customers needs. However these adjustments are limited due to the tolerances of the transducers. If adjustments are necessary, please consult the factory or your local distributor

Note: Dual transducer models are not field adjustable.



HYSTERESIS

The hysteresis error, sometimes called “deadband”, is the amount of output pressure variance required to cause the PPC to react, making a correction to the output pressure. It is given in percent of full scale pressure, all MAC PPC products perform with minimal hysteresis.



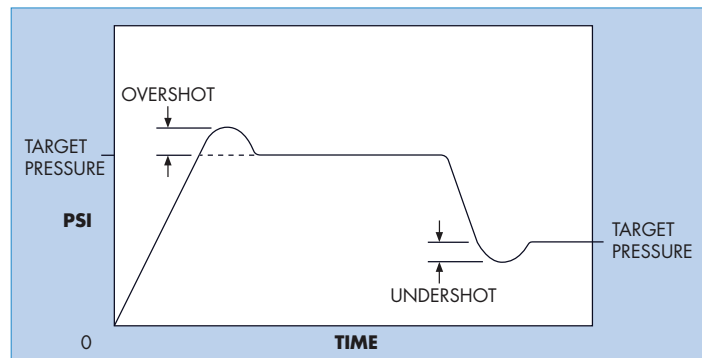
ACCURACY

MAC Valves states accuracy of the MAC PPCs as overall accuracy. Accuracy is expressed in percent of full scale, which includes hysteresis and linearity. Some suppliers give separate parameters in order to give a better impression. In this case hysteresis and linearity are added. MAC PPCs are extremely accurate and maintain excellent control of output pressure well within our stated accuracy.

OVERSHOOT – UNDERSHOOT

Two undesirable characteristics of other proportional control units available on the market are overshoot and undershoot.

Overshoot is a characteristic of the regulator to exceed the desired output pressure when the command signal is given. Undershoot is a characteristic of the regulator to fail to reach the desired output pressure.



The PPC is based on a closed loop design which combined with MACs fast responding, very repeatable, high flow, balanced 2-way valves, optimizes response and accuracy, practically eliminating overshoot and undershoot.

CLOSED END VOLUME

The closed end volume is the amount of volume needed to keep the PPC stable. If the closed volume to be filled is not appropriate for a particular PPC model (too small in comparison with the flow of air coming from the PPC), it will be very difficult to control the desired pressure inside this volume. So the PPC will be required to compensate for any small variation of pressure and the device will be unstable. This instability is sometimes referred to as “motorboating” or the continuous energizing and de-energizing of the fill and exhaust valves. Minimum volume requirements to prevent “motorboating” are listed for each PPC in this catalog for your reference.

IV. Command Signal Options

The PPC can be controlled with either an analog command signal or a digital command signal.

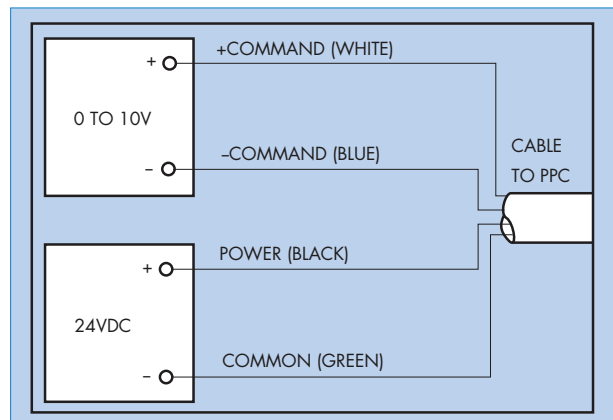
ANALOG COMMAND SIGNAL

The analog command signal can be either 0 – 10 VDC (voltage) or 4 – 20 mA (current).

Two wires are necessary to accept the command signal. The PPC measures the voltage differences between the two wires to determine the desired pressure output. Along with the command signals, a 24 VDC source must be available to operate the PPC. The return path for the 24VDC source and the return path for the command signal must not be isolated from each other. An example of how to wire the PPC with a differential command signal is shown below.

The major advantages of the command signal for the PPC are :

- Elimination of ground loop noise.
- Operation of multiple PPC's from a single power supply.
- Easy to connect to single-ended equipment.



DIGITAL COMMAND SIGNAL

The PPC, through the use of a converter board, accepts a digital command signal for 4-bit or 8-bit binary logic and converts this to an analog signal to produce a proportional pressure.

Using a 4-bit digital input, the maximum number of different pressures available at the output is 16. If an 8-bit digital input is specified, a much finer resolution (256 pressures at the output) can be obtained. For example, in a 100 PSI output system, using 4-bit logic, each bit is equal to 6.67 PSI. With an 8-bit digital, each bit is equal to .392 PSI

There are four different models available for the 4-bit and 8-bit digital PPC based on the type of input signal :

1. Positive Logic/Sourcing Input
3. Positive Logic/Sinking Input

2. Negative Logic/Sourcing Input
4. Negative Logic/Sinking Input

Positive Logic is defined as a minimum command level (all bits are logic low) controlling a minimum pressure output. For example, in a 4-bit system, a 0000 digital signal would correspond to zero psi and a 1111 digital signal would correspond to the maximum pressure.

Negative Logic is defined as a maximum command level (all bits are logic high) controlling a minimum pressure output. For example, in a 4-bit system, a 1111 digital signal would correspond to zero psi and a 0000 digital signal would correspond to the maximum pressure.

Sinking Input requires the digital voltage to be supplied by the controller connected to the input of the PPC. A command signal must be supplied by the external controller to the digital input connections. The PLC "drives" the PPC, by which a digital input (as opposed to analog) will control the output pressure.

Sourcing Input requires the PPC to produce the digital voltage. The controller connected to the input of the PPC is required to "pull the logic level down to zero" or to "maintain the logic level at one". "Zero" is considered that level of the signal which corresponds to the minimum value of the digital input supply (logic low). "One" is considered that level of the signal which corresponds to the maximum positive value of the digital input supply (logic high). In this case, the PPC "drives" the PLC. Again, a digital input will control the output pressure.

V. Monitor Signal Options

The PPC is available with two optional monitor signals. The Analog Monitor Signal (AMS), and the Logic Monitor Signal (LMS). The PPC may be ordered with either one or both of these signals. Monitor Signals provide intelligent feedback to the controlling device.

ANALOG MONITOR SIGNAL -AMS-

The Analog Monitor Signal is a 0 to 10 VDC feedback signal that provides a voltage proportional to the pressure output of the PPC or the output of the device it is controlling. In the case of MACs Proportional Multi-Pressure Pak®, the AMS signal provides a voltage output proportional to the output pressure of the PMPP.

The AMS may be used by the controlling device to verify that the correct pressure has been achieved. Also, the AMS may be connected to a voltage meter to display the pressure output. In some applications, the AMS is fed into the analog input of a controller to provide data for Statistical Process Control. In either case, a high impedance input is required for proper operation.

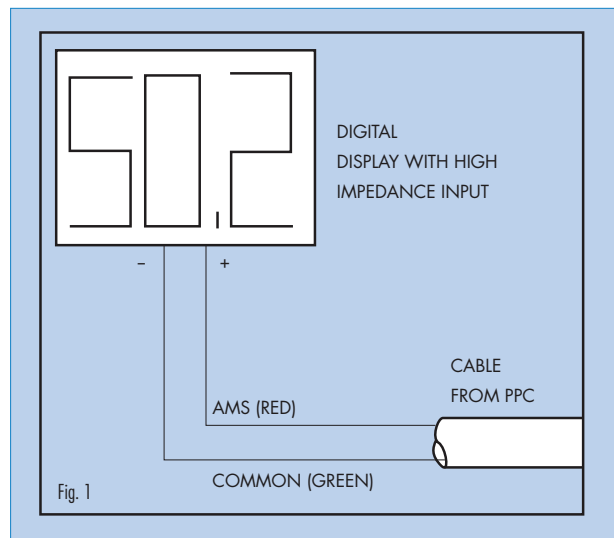


Figure 1, shows how to wire the AMS to a panel meter to display pressure output.

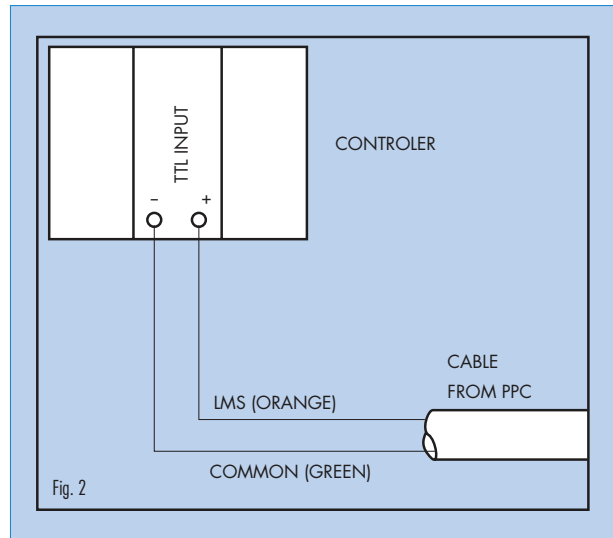
LOGIC MONITOR SIGNAL -LMS-

The Logic Monitor Signal provides digital feedback to confirm that the PPC has achieved the correct pressure. The LMS provides standard logic levels such as TTL (5V) or 24 VDC.

With the TTL option, when correct pressure is achieved, the LMS outputs a logic 1, (5 VDC). When the PPC is working, (Fill or Exhaust valve is in operation) the LMS outputs a logic 0, 0 VDC.

Figure 2 shows how to wire the LMS to a controller's TTL input.

The LMS provides a simple "go/no go" signal back to the controlling device. The LMS may also be used to turn on an L.E.D. for remote indication.



There also is a negative logic version (LMS) available. When the correct pressure is achieved, this option outputs a logic 0. When the PPC is working (fill or exhaust valve is in operation) the output is a logic 1. In either case, the LMS circuit is a sinking type of output. Thus, the PPC supplies the ground to the reading device.

COVERLESS PPC WIRING PIN OUT

AMS - Analog Monitor Signal

- 0-10 VDC feedback signal that provides a voltage proportional to the output pressure

LMS 1 - Logic Monitor Signal

- 5 VDC (TTL high), 24 VDC (high), 5 VDC (low), or 24 VDC (low) "go/no go" feedback signal (depending on requirements)

LMS 2 - Logic Monitor Signal

- 5VDC (TTL low), 24 VDC (high), or 24 VDC (low) "go/no go" feedback signal (depending on requirements)

CV+ - Positive Command Signal

- Positive lead for the 0 – 10 VDC or 4-20 MA command signal (depends on requirements)

CV- - Negative Command Signal

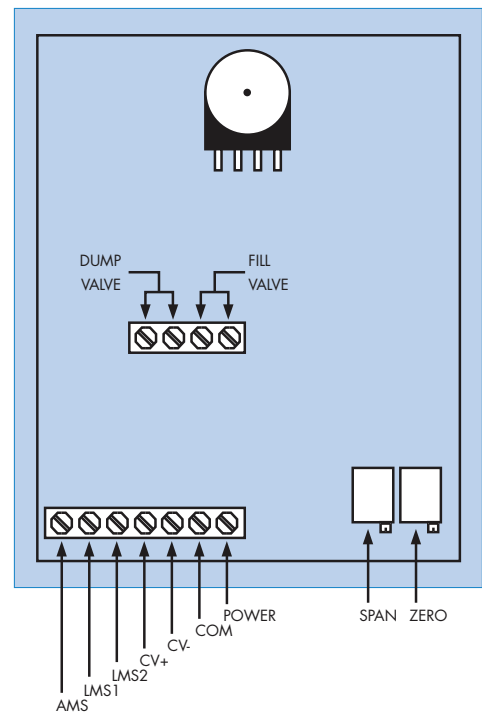
- Negative lead for the 0 – 10 VDC or 4-20 MA command signal (depends on requirements)

COM - Main Power Common

- Common lead for the 24 VDC power

PWR - Main Power

- Positive lead for the 24 VDC power





Section 1 Proportional Pressure Controller



Proportional pressure controller

Port size	Flow (Max) C _v / NI/min	Individual mounting						Mounting	Series
		covered analog	covered analog with remote transducer	covered digital	coverless analog base mount	coverless analog base manifold mount	covered analog base mount		
1/8"	0.07/70 - 0.09/90	P. 13		P. 21					PPC5C
1/8"	0.07/70		P. 17						
1/8"	0.07/70				P. 25	P. 27		P.29	PPC34B
1/8"	0.10/100				P. 31				LCP35A
1/8"	0.25/250				P. 33	P. 35	P.41	P. 37	PPC45B
1/4"	0.72/720	P. 45							PPC47A
1/4"	0.74/740				P. 47	P. 49		P. 51	
1/4"	1.3/1300				P. 53			P. 55	PPC400A
3/8"	2.0/2000						P. 59		PPC92B
1/2" - 3/4"	6.2/6200						P. 61		PPC93A
Additional dimensions for PPC's		P. 89-93							

Port size

Flow [Max][Cv]

Individual mounting

1/8"

0.07 / 0.09

Covered Analog

OPERATIONAL BENEFITS

1. Reliable operation, using two MAC 34 Series with balanced poppet.
2. Fast response.
3. Long life.
4. High flow.
5. Low power consumption.
6. Rugged enclosure.
7. Not affected by vibrations.
8. Accurate pressure control.
9. Can be stand alone or used in combination with our remote air sandwich regulators.
10. Analog command signal and output.



HOW TO ORDER

BASIC MODEL

Revision

PPC5C **XXX - XXXX - (XXX -XX -XX)** See below

Type	Porting	Feedback options	Pressure range PSI/BAR	Pressure reference	Overall accuracy	Flow Cv/NI/min Fill Exh.
A Analog	SIDE PORTS A 1/8" NPTF B 1/8" BSPPL C 1/8" BSPTR BOTTOM PORTS D 1/8" NPTF E 1/8" BSPPL F 1/8" BSPTR G Bottom port O-ring Mount	A Single Xducer/ Int. Sense (Pressure) B Single Xducer/ Ext. Sense (Pressure) C Dual Xducer/ Int. Sense (Pressure)	A 100/6.7 B 60/4 C 30/2 D 15/1 E 50/3.3 F 80/5.3 G 2/0.13 H 20/1.3 J 75/5 K 117/7.8 L 4/0.26 M 150/10 N 10/0.66 P 90/6 V VACUUM	G Gage Pressure D Differential Pressure	A ± 1.5 % F.S. B ± 1.0 % F.S. C ± 0.5 % F.S. E ± 2.5 % F.S.	A 0.07/70 0.07/70 B 0.09/90 0.09/90 C 0.07/70 0.09/90

SIGNAL & CONNECTOR OPTIONS

XXX - XX - XX

Command signal	Analog monitor signal	Logic monitor signal (10mA, MAX)	Electrical connector	Cable length	Digital Display
B 0-10V C 4-20mA 3-Wire D 4-20mA 4-Wire	A None B 0-10V	A None B TTL (Low = Pressure Achieved) C TTL (High = Pressure Achieved) D 24V (Low = Pressure Achieved) E 24V (High = Pressure Achieved)	A 3 Pin Mini B 5 Pin Mini C 6 Pin Mini D 3 Pin Micro E 5 Pin Micro F 6 Pin Micro G 3 Wire Grommet H 4 Wire Grommet I 5 Wire Grommet J 6 Wire Grommet	O No Cable B 3 Ft/0.9m D 6 Ft/1.8m E 12 Ft/3.6m	Blank Not required DP Display PSI & com. signal DB Display Bar & com. signal

IMPORTANT ! READ NOTES BEFORE ORDERING

- For stand alone, choose Option "A". For PMPP, choose Option "B" and MOD 1164. For use with inline Boosters, choose Option "C".
 - Feedback Option "C" not available with pressure ranges below 30 PSI. Maximum inlet pressure for Option "D" (15 PSI) is 30 PSI. Maximum inlet pressure for Options "G" (2 PSI) and "L" (4 PSI) is 15 PSI. Vacuum at inlet should not exceed 25" HG.
 - Caution : Differential pressure must not exceed pressure range.
 - For PMPPs, choose Option "A" or "E". For dual xducers, choose Option "B". Option "B" not available with single xducer.
 - For PMPPs, choose Option "A". For any booster application, choose Option "A". For stand alone, "A" is standard; "B" is optional.
 - For other options, consult the factory.
 - See the list of standard electrical connectors before ordering.
 - For Option "O" (no cable), choose electrical connector Options "A" through "F" only.
 - This option is not available with feedback options "B" & "C", pressure range option "V" and pressure reference option "D".
- Note :** For PMPP ordering information, consult factory. For circuit bar® mounting of PPC5C, consult factory.

GENERAL DATA

Ambient temperature :	32°F to 120°F/0 to 50°C
LED indicators :	Red : power on - Green : pressure achieved
Enclosure :	Aluminium, sealed
Vibration :	Not affected
Port size :	G 1/8", 1/8" NPT - Option : bottom ports
Connector :	Micro or mini 3, 5 or 6 pin plug-in 3, 4, 5 or 6 wire grommet
Mounting :	Any plane
Protection :	IP 65

ELECTRICAL DATA

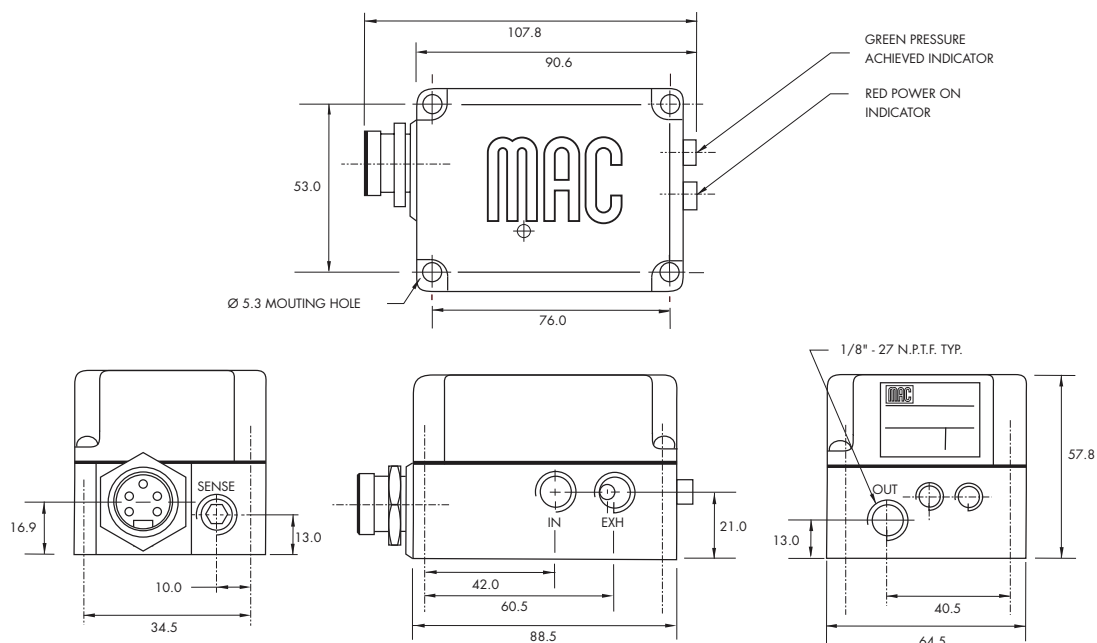
Supply voltage :	20.4 to 26.4 VDC
Supply current :	50 to 275mA (single transducer) 50 to 500mA (dual transducer)
Command signal :	0 to 10V or 4 to 20mA
Command type :	Single-ended or differential
Input impedance :	4.99 kΩ ± 1.0% (voltage) 316 Ω ± 0.1% (current)
Analog Monitor Signal (AMS) :	0 to 10 Volts
Logic Monitor Signal (LMS) :	TTL or 24V 10mA max. (sinking)
EMI/RFI protection :	Common mode and high frequency noise reduction for electrical inputs

PNEUMATIC DATA

Inlet pressure* :	160 PSI max (for 0-150 PSI output pres.) 10.7 BAR max (for 0-10 BAR output pres.) 120 PSI max (for 20-117 PSI output pres.) 8 BAR max (for 1.3-7.8 BAR output pres.)
Inlet vacuum** :	25" HG/635 mm HG
Output vacuum :	0 to 20" HG/0 to 508 mm HG
Fluids :	Compressed air or inert gases
Lubrication :	Not required. However, if used, a medium aniline point oil is recommended
Output pressure :	0 to 2, 4, 10, 15, 20, 30, 50, 60, 100, 117, 150 PSI (single transducer) 0 to 0.13, 0.26, 0.66, 1, 1.3, 2, 3.3, 4, 6.7, 7.8, 10 BAR (single transducer) 0 to 50, 60, 75, 80, 90, 100, 117, 150 PSI (dual transducer) 0 to 3.3, 4, 5, 5.3, 6, 6.7, 7.8, 10 BAR (dual transducer)
Overall accuracy :	± 1.5% full scale (single transducer standard) ± 1.0% full scale (dual transducer) ± 0.5% full scale (single transducer optional) ± 2.5% full scale (single transducer optional)
Flow :	Cv 0.07/70 NI/min (standard) - Cv 0.09/90 NI/min (High flow)
Minimum closed end volume :	1.0 cubic inch (Cv = 0.07) - 16 cm ³ (Flow = 70 NI/min)

* 30 PSI maximum inlet for 15 PSI output pressure - 2 BAR maximum inlet for 1 BAR output pressure - 15 PSI maximum inlet for 2 PSI and 4 PSI output pressure - 1 BAR maximum inlet for 0.13 BAR output pressure
** Vacuum inlet should not exceed 25"/635 mm HG

DIMENSIONS



OPTIONS

LIST OF AVAILABLE SIGNAL & CONNECTOR OPTIONS

PPC5C **XXX-XXXX-(XXX-XX)** - SIGNAL & CONNECTOR OPTIONS

PART NO.	COMMAND SIGNAL	COMMAND TYPE	ANALOG MONITOR	LOGIC MONITOR	CONNECTOR DESCRIPTION
- CAA-AX	4-20mA	SINGLE	NONE	NONE	3-PIN
- CAA-DX	4-20mA	SINGLE	NONE	NONE	3-PIN MICRO
- CAA-GX	4-20mA	SINGLE	NONE	NONE	3-WIRE GROMMET
- BAA-HX	0-10V	DIFFERENTIAL	NONE	NONE	4-WIRE GROMMET
- DAA-HX	4-20mA	DIFFERENTIAL	NONE	NONE	4-WIRE GROMMET
- CBB-BX	4-20mA	SINGLE	0-10V	TTL	5-PIN
- CBD-BX	4-20mA	SINGLE	0-10V	24V	5-PIN
- BBA-BX	0-10V	DIFFERENTIAL	0-10V	NONE	5-PIN
- BAB-BX	0-10V	DIFFERENTIAL	NONE	TTL	5-PIN
- BAD-BX	0-10V	DIFFERENTIAL	NONE	24V	5-PIN
- DBA-BX	4-20mA	DIFFERENTIAL	0-10V	NONE	5-PIN
- DAB-BX	4-20mA	DIFFERENTIAL	NONE	TTL	5-PIN
- DAD-BX	4-20mA	DIFFERENTIAL	NONE	24V	5-PIN
- CBB-EX	4-20mA	SINGLE	0-10V	TTL	5-PIN MICRO
- CBD-EX	4-20mA	SINGLE	0-10V	24V	5-PIN MICRO
- BBA-EX	0-10V	DIFFERENTIAL	0-10V	NONE	5-PIN MICRO
- BAB-EX	0-10V	DIFFERENTIAL	NONE	TTL	5-PIN MICRO
- BAD-EX	0-10V	DIFFERENTIAL	NONE	24V	5-PIN MICRO
- DBA-EX	4-20mA	DIFFERENTIAL	0-10V	NONE	5-PIN MICRO
- DAB-EX	4-20mA	DIFFERENTIAL	NONE	TTL	5-PIN MICRO
- DAD-EX	4-20mA	DIFFERENTIAL	NONE	24V	5-PIN MICRO
- CBB-IX	4-20mA	SINGLE	0-10V	TTL	5-WIRE GROMMET
- CBD-IX	4-20mA	SINGLE	0-10V	24V	5-WIRE GROMMET
- BBA-IX	0-10V	DIFFERENTIAL	0-10V	NONE	5-WIRE GROMMET
- BAB-IX	0-10V	DIFFERENTIAL	NONE	TTL	5-WIRE GROMMET
- BAD-IX	0-10V	DIFFERENTIAL	NONE	24V	5-WIRE GROMMET
- DBA-IX	4-20mA	DIFFERENTIAL	0-10V	NONE	5-WIRE GROMMET
- DAB-IX	4-20mA	DIFFERENTIAL	NONE	TTL	5-WIRE GROMMET
- DAD-IX	4-20mA	DIFFERENTIAL	NONE	24V	5-WIRE GROMMET
- BBB-CX	0-10V	DIFFERENTIAL	0-10V	TTL	6-PIN
- BBD-CX	0-10V	DIFFERENTIAL	0-10V	24V	6-PIN
- DBB-CX	4-20mA	DIFFERENTIAL	0-10V	TTL	6-PIN
- DBD-CX	4-20mA	DIFFERENTIAL	0-10V	24V	6-PIN
- BBB-FX	0-10V	DIFFERENTIAL	0-10V	TTL	6-PIN MICRO
- BBD-FX	0-10V	DIFFERENTIAL	0-10V	24V	6-PIN MICRO
- DBB-FX	4-20mA	DIFFERENTIAL	0-10V	TTL	6-PIN MICRO
- DBD-FX	4-20mA	DIFFERENTIAL	0-10V	24V	6-PIN MICRO
- BBB-JX	0-10V	DIFFERENTIAL	0-10V	TTL	6-WIRE GROMMET
- BBD-JX	0-10V	DIFFERENTIAL	0-10V	24V	6-WIRE GROMMET
- DBB-JX	4-20mA	DIFFERENTIAL	0-10V	TTL	6-WIRE GROMMET
- DBDJX	4-20mA	DIFFERENTIAL	0-10V	24V	6-WIRE GROMMET

PPC5C

PPC34B

LCP35A

PPC45B

PPC47A

PPC400A






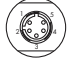


PPC92B

PPC93A

OPTIONS

STANDARD PLUG-IN - ELECTRICAL CONNECTIONS

PPC5C **XXX-XXXX-(XXX-XX)** - ELECTRICAL OPTIONS

	PART NO.	PIN	DESCRIPTION	MATING CORD
	- (CAA-AX)	3	1 COMMON 2 POWER +20.4 TO +26.4VDC 3 COMMAND	GREEN BLACK WHITE
	- (CAA-DX)	3 MICRO	1 COMMON 2 POWER +20.4 TO +26.4VDC 3 COMMAND	GREEN RED WITH BLACK TRACER RED WITH WHITE TRACER
	- (CBB-BX)	5 (SINGLE-ENDED)	1 + COMMAND 2 ANALOG MONITOR SIGNAL 3 COMMON 4 LOGIC MONITOR SIGNAL 5 POWER +20.4 TO +26.4VDC	WHITE RED GREEN ORANGE BLACK
	- (BBA-BX) - (BAB-BX) - (DBA-BX) - (DAB-BX)	5 (DIFFERENTIAL)	1 + COMMAND 2 - COMMAND 3 COMMON 4 LMS or AMS 5 POWER +20.4 TO +26.4VDC	WHITE RED GREEN ORANGE BLACK
	- (CBB-EX)	5 MICRO (SINGLE ENDED)	1 + COMMAND 2 ANALOG MONITOR 3 COMMON 4 LOGIC MONITOR SIGNAL 5 POWER +20.4 TO +26.4VDC	RED WITH WHITE TRACER RED GREEN RED WITH YELLOW TRACER RED WITH BLACK TRACER
	- (BBA-EX) - (BAB-EX) - (DBA-EX) - (DAB-EX)	5 MICRO (DIFFERENTIAL)	1 + COMMAND 2 - COMMAND 3 COMMON 4 LMS or AMS 5 POWER +20.4 TO +26.4VDC	RED WITH WHITE TRACER RED GREEN RED WITH YELLOW TRACER RED WITH BLACK TRACER
	- (BBB-CX) - (DBB-CX)	6	1 LOGIC MONITOR SIGNAL 2 - COMMAND 3 POWER +20.4 TO +26.4VDC 4 + COMMAND 5 ANALOG MONITOR SIGNAL 6 COMMON	ORANGE BLUE BLACK WHITE RED GREEN
	- (BBB-FX) - (DBB-FX)	6 MICRO	1 + COMMAND 2 ANALOG MONITOR SIGNAL 3 COMMON 4 LOGIC MONITOR SIGNAL 5 POWER +20.4 TO +26.4VDC 6 - COMMAND	RED WITH WHITE TRACER RED GREEN RED WITH YELLOW TRACER RED WITH BLACK TRACER RED WITH BLUE TRACER

STANDARD WIRE GROMMET - ELECTRICAL CONNECTIONS

PPC5C **XXX-XXXX-(XXX-XX)** - ELECTRICAL OPTIONS

PART NO.	WIRES	DESCRIPTION	WIRE COLOR
- (CAA-GX)	3	COMMON POWER +20.4 TO +26.4VDC COMMAND	GREEN RED WITH BLACK TRACER RED WITH WHITE TRACER
- (BAA-HX) - (DAA-HX)	4	COMMON POWER +20.4 TO +26.4VDC + COMMAND - COMMAND	GREEN RED WITH BLACK TRACER RED WITH WHITE TRACER RED WITH BLUE TRACER
- (CBB-IX)	5	COMMAND ANALOG MONITOR SIGNAL COMMON LOGIC MONITOR SIGNAL POWER +20.4 TO +26.4VDC	RED WITH WHITE TRACER RED GREEN RED WITH YELLOW TRACER RED WITH BLACK TRACER
- (BAB-IX) - (BBA-IX) - (DAB-IX) - (DBA-IX)	5	+ COMMAND - COMMAND COMMON LMS or AMS POWER +20.4 TO +26.4VDC	RED WITH WHITE TRACER RED GREEN RED WITH YELLOW TRACER RED WITH BLACK TRACER
- (BBB-JX) - (DBB-JX)	6	+ COMMAND ANALOG MONITOR SIGNAL COMMON LOGIC MONITOR SIGNAL POWER +20.4 TO +26.4VDC - COMMAND	RED WITH WHITE TRACER RED GREEN RED WITH YELLOW TRACER RED WITH BLACK TRACER RED WITH BLUE TRACER



Proportional pressure controller

Part size	Flow [Max] [Cv/Nl/min]	Individual mounting	Series
1/8"	0.07/70 0.09/90	covered analog with remote transducer	

OPERATIONAL BENEFITS

1. Reliable operation, using two MAC 34 Series with balanced poppet.
2. Fast response.
3. Long life.
4. High flow.
5. Low power consumption.
6. Rugged enclosure.
7. Not affected by vibrations.
8. Accuracy : ± 2.5 % full scale
9. Can be stand alone or used in combination with our remote air sandwich regulators.
10. Analog command signal and output.



PPC5C

PPC34B

LCP35A

PPC45B

PPC47A

PPC400A

PPC92B

PPC93A

HOW TO ORDER

BASIC MODEL: Revision PPC5C **XXX - XXXX - (XXX - XX)** SIGNAL & CONNECTOR OPTIONS (SEE BELOW)

Type	Porting	Feedback options	Pressure range PSI/BAR	Pressure reference	Remote cable length	Flow Cv/Nl/min Fill Exh.
R Analog with Remote Transducer	SIDE PORTS A 1/8" NPTF B 1/8" BSPPL C 1/8" BSPTR BOTTOM PORTS D 1/8" NPTF E 1/8" BSPPL F 1/8" BSPTR G Bottom port O-ring Mount	A Dual Transducer Remote Sense	A 100/6.7 B 60/4 C 30/2 E 50/3.3 F 80/5.3 H 20/1.3 J 75/5 K 117/7.8 P 90/6	G Gage	A 4 ft./1.2m B 8 ft./2.4m C 12 ft./3.6m D 16 ft./4.8m E 20 ft./6m	A 0.07/70 0.07/70 B 0.09/90 0.09/90

SIGNAL & CONNECTOR OPTIONS

XXX - XX

Command signal	Analog monitor signal	Logic monitor signal (10mA, MAX)	Electrical connector	Cable length *
B 0-10V C 4-20mA 3-Wire D 4-20mA 4-Wire	A None B 0-10V	A None B TTL (Low = Pressure Achieved) C TTL (High = Pressure Achieved) D 24V (Low = Pressure Achieved) E 24V (High = Pressure Achieved)	A 3 Pin Mini B 5 Pin Mini C 6 Pin Mini D 3 Pin Micro E 5 Pin Micro F 6 Pin Micro G 3 Wire Grommet H 4 Wire Grommet I 5 Wire Grommet J 6 Wire Grommet	O No Cable B 3 Ft/0.9m D 6 Ft/1.8m E 12 Ft/3.6m

NOTE :

* For Option "0" (no cable), choose electrical connector Options "A" through "F" only.

EXAMPLE : PPC5C RAA - AGAA - BBB - CB

Type: Remote sense analog. Sealed aluminum hsg. with 1/8" NPT side ports

Feedback: Internal transducer sensing air pressure at the "out" port

Pressure range: 0 to 100 PSI output

Pressure options: Gage pressure with 4 ft. remote cable and Cv of 0.07

Signal: 0 to 10V differential command signal with analog and TTL Logic monitor signals

Connector options: 6 Pin Mini electrical connector for hook up and a 3 ft. cable

GENERAL DATA

Ambient temperature :	PPC5C : 32 to 120°F/0 to 50°C Remote transducer : -40 to 185°F/-40 to 85°C
LED indicators :	Red : power on - Green : pressure achieved
Enclosure :	PPC5C : Aluminium, sealed Remote transducer : Aluminium, sealed
Vibration :	Not affected
Port size :	G 1/8", 1/8" NPT - Option : bottom ports
Connector :	Micro or mini 3, 5 or 6 pin plug-in 3, 4, 5 or 6 wire grommet
Mounting :	Any plane

ELECTRICAL DATA

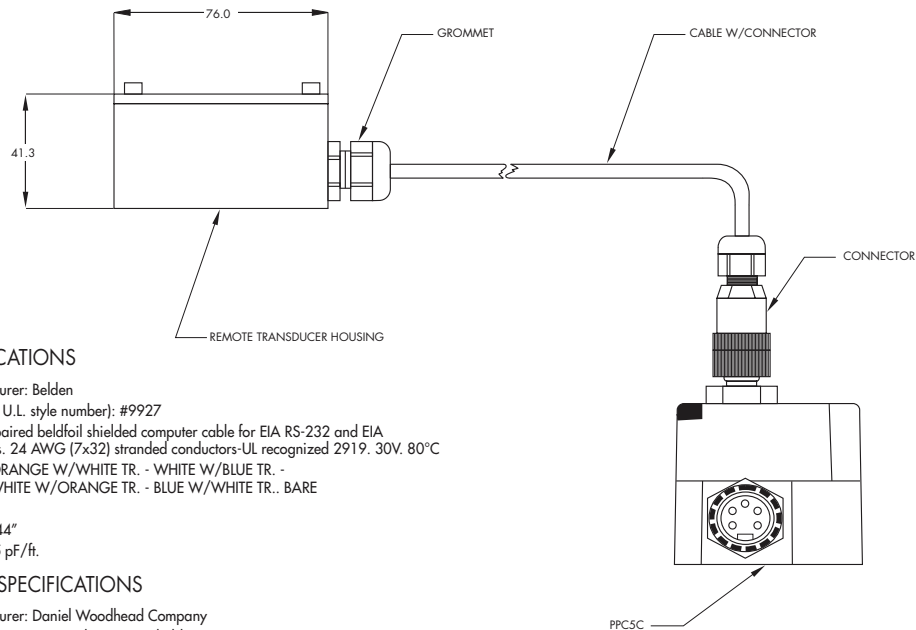
Supply voltage :	20.4 to 26.4 VDC
Supply current :	50 to 500mA
Command signal :	0 to 10V or 4 to 20mA
Command type :	Single-ended or differential
Input impedance :	4.99 kΩ ± 1.0% (voltage) 316 Ω ± 0.1% (current)
Analog Monitor Signal (AMS) :	0 to 10 Volts
Logic Monitor Signal (LMS) :	TTL or 24V 10mA max. (sinking)
EMI/RFI protection :	Common mode and high frequency noise reduction for electrical inputs

PNEUMATIC DATA

Inlet pressure* :	120 PSI max (for 20-117 PSI output pres.) 8 BAR max (for 1.3-7.8 BAR output pres.)
Fluids :	Compressed air or inert gases
Lubrication :	Not required. However, if used, a medium aniline point oil is recommended
Output pressure :	0 to 20, 30, 50, 60, 75, 80, 90, 100, 117 PSI 0 to 1.3, 2, 3.3, 4, 5, 5.3, 6, 6.7, 7.8 BAR
Overall accuracy :	± 2.5% full scale
Flow :	Cv 0.07/70 NL/min (standard)
Minimum closed end volume :	50 cubic inch - 820 cm ³

* 20 PSI maximum inlet for 10 PSI output pressure - 1.3 BAR maximum inlet for 0.7 BAR output pressure

DIMENSIONS



CABLE SPECIFICATIONS

- Approved manufacturer: Belden
- Cable type (Trade & U.L. style number): #9927
- Cable description: paired beldfoil shielded computer cable for EIA RS-232 and EIA RS-422 applications. 24 AWG (7x32) stranded conductors-UL recognized 2919. 30V. 80°C
- Cable wire colors: ORANGE W/WHITE TR. - WHITE W/BLUE TR. - WHITE W/ORANGE TR. - BLUE W/WHITE TR.. BARE
- Number of pairs: 2
- Nominal O.D.: 0.244"
- Capacitance: 12.95 pF/ft.

CONNECTOR SPECIFICATIONS

- Approved manufacturer: Daniel Woodhead Company
- Connector: Brad Harrison micro-change attachable connector-screw termination
- Woodhead part number: 8A5000-31
- Contacts: Copper alloy, gold plated
- Voltage rating: 30VAC/35VDC
- Current rating: 4A

OPTIONS

LIST OF AVAILABLE SIGNAL & CONNECTOR OPTIONS

PPC5C **XXX-XXXX-(XXX-XX)** - SIGNAL & CONNECTOR OPTIONS

PART NO.	COMMAND SIGNAL	COMMAND TYPE	ANALOG MONITOR	LOGIC MONITOR	CONNECTOR DESCRIPTION
- CAA-AX	4-20mA	SINGLE	NONE	NONE	3-PIN
- CAA-DX	4-20mA	SINGLE	NONE	NONE	3-PIN MICRO
- CAA-GX	4-20mA	SINGLE	NONE	NONE	3-WIRE GROMMET
- BAA-HX	0-10V	DIFFERENTIAL	NONE	NONE	4-WIRE GROMMET
- DAA-HX	4-20mA	DIFFERENTIAL	NONE	NONE	4-WIRE GROMMET
- CBB-BX	4-20mA	SINGLE	0-10V	TTL	5-PIN
- CBD-BX	4-20mA	SINGLE	0-10V	24V	5-PIN
- BBA-BX	0-10V	DIFFERENTIAL	0-10V	NONE	5-PIN
- BAB-BX	0-10V	DIFFERENTIAL	NONE	TTL	5-PIN
- BAD-BX	0-10V	DIFFERENTIAL	NONE	24V	5-PIN
- DBA-BX	4-20mA	DIFFERENTIAL	0-10V	NONE	5-PIN
- DAB-BX	4-20mA	DIFFERENTIAL	NONE	TTL	5-PIN
- DAD-BX	4-20mA	DIFFERENTIAL	NONE	24V	5-PIN
- CBB-EX	4-20mA	SINGLE	0-10V	TTL	5-PIN MICRO
- CBD-EX	4-20mA	SINGLE	0-10V	24V	5-PIN MICRO
- BBA-EX	0-10V	DIFFERENTIAL	0-10V	NONE	5-PIN MICRO
- BAB-EX	0-10V	DIFFERENTIAL	NONE	TTL	5-PIN MICRO
- BAD-EX	0-10V	DIFFERENTIAL	NONE	24V	5-PIN MICRO
- DBA-EX	4-20mA	DIFFERENTIAL	0-10V	NONE	5-PIN MICRO
- DAB-EX	4-20mA	DIFFERENTIAL	NONE	TTL	5-PIN MICRO
- DAD-EX	4-20mA	DIFFERENTIAL	NONE	24V	5-PIN MICRO
- CBB-IX	4-20mA	SINGLE	0-10V	TTL	5-WIRE GROMMET
- CBD-IX	4-20mA	SINGLE	0-10V	24V	5-WIRE GROMMET
- BBA-IX	0-10V	DIFFERENTIAL	0-10V	NONE	5-WIRE GROMMET
- BAB-IX	0-10V	DIFFERENTIAL	NONE	TTL	5-WIRE GROMMET
- BAD-IX	0-10V	DIFFERENTIAL	NONE	24V	5-WIRE GROMMET
- DBA-IX	4-20mA	DIFFERENTIAL	0-10V	NONE	5-WIRE GROMMET
- DAB-IX	4-20mA	DIFFERENTIAL	NONE	TTL	5-WIRE GROMMET
- DAD-IX	4-20mA	DIFFERENTIAL	NONE	24V	5-WIRE GROMMET
- BBB-CX	0-10V	DIFFERENTIAL	0-10V	TTL	6-PIN
- BBD-CX	0-10V	DIFFERENTIAL	0-10V	24V	6-PIN
- DBB-CX	4-20mA	DIFFERENTIAL	0-10V	TTL	6-PIN
- DBD-CX	4-20mA	DIFFERENTIAL	0-10V	24V	6-PIN
- BBB-FX	0-10V	DIFFERENTIAL	0-10V	TTL	6-PIN MICRO
- BBD-FX	0-10V	DIFFERENTIAL	0-10V	24V	6-PIN MICRO
- DBB-FX	4-20mA	DIFFERENTIAL	0-10V	TTL	6-PIN MICRO
- DBD-FX	4-20mA	DIFFERENTIAL	0-10V	24V	6-PIN MICRO
- BBB-JX	0-10V	DIFFERENTIAL	0-10V	TTL	6-WIRE GROMMET
- BBD-JX	0-10V	DIFFERENTIAL	0-10V	24V	6-WIRE GROMMET
- DBB-JX	4-20mA	DIFFERENTIAL	0-10V	TTL	6-WIRE GROMMET
- DBDJX	4-20mA	DIFFERENTIAL	0-10V	24V	6-WIRE GROMMET

PPC5C

PPC34B

LCP35A

LCP45B

PPC47A

PPC400A


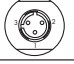



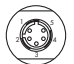


PPC92B

PPC93A

OPTIONS

STANDARD PLUG-IN - ELECTRICAL CONNECTIONS

PPC5C **XXX-XXXX-(XXX-XX)** - ELECTRICAL OPTIONS

	PART NO.	PIN	DESCRIPTION	MATING CORD
	- (CAA-AX)	3	1 COMMON 2 POWER +20.4 TO +26.4VDC 3 COMMAND	GREEN BLACK WHITE
	- (CAA-DX)	3 MICRO	1 COMMON 2 POWER +20.4 TO +26.4VDC 3 COMMAND	GREEN RED WITH BLACK TRACER RED WITH WHITE TRACER
	- (CBB-BX)	5 (SINGLE-ENDED)	1 + COMMAND 2 ANALOG MONITOR SIGNAL 3 COMMON 4 LOGIC MONITOR SIGNAL 5 POWER +20.4 TO +26.4VDC	WHITE RED GREEN ORANGE BLACK
	- (BBA-BX) - (BAB-BX) - (DBA-BX) - (DAB-BX)	5 (DIFFERENTIAL)	1 + COMMAND 2 - COMMAND 3 COMMON 4 LMS or AMS 5 POWER +20.4 TO +26.4VDC	WHITE RED GREEN ORANGE BLACK
	- (CBB-EX)	5 MICRO (SINGLE ENDED)	1 + COMMAND 2 ANALOG MONITOR 3 COMMON 4 LOGIC MONITOR SIGNAL 5 POWER +20.4 TO +26.4VDC	RED WITH WHITE TRACER RED GREEN RED WITH YELLOW TRACER RED WITH BLACK TRACER
	- (BBA-EX) - (BAB-EX) - (DBA-EX) - (DAB-EX)	5 MICRO (DIFFERENTIAL)	1 + COMMAND 2 - COMMAND 3 COMMON 4 LMS or AMS 5 POWER +20.4 TO +26.4VDC	RED WITH WHITE TRACER RED GREEN RED WITH YELLOW TRACER RED WITH BLACK TRACER
	- (BBB-CX) - (DBB-CX)	6	1 LOGIC MONITOR SIGNAL 2 - COMMAND 3 POWER +20.4 TO +26.4VDC 4 + COMMAND 5 ANALOG MONITOR SIGNAL 6 COMMON	ORANGE BLUE BLACK WHITE RED GREEN
	- (BBB-FX) - (DBB-FX)	6 MICRO	1 + COMMAND 2 ANALOG MONITOR SIGNAL 3 COMMON 4 LOGIC MONITOR SIGNAL 5 POWER +20.4 TO +26.4VDC 6 - COMMAND	RED WITH WHITE TRACER RED GREEN RED WITH YELLOW TRACER RED WITH BLACK TRACER RED WITH BLUE TRACER

STANDARD WIRE GROMMET - ELECTRICAL CONNECTIONS

PPC5C **XXX-XXXX-(XXX-XX)** - ELECTRICAL OPTIONS

PART NO.	WIRES	DESCRIPTION	WIRE COLOR
- (CAA-GX)	3	COMMON POWER +20.4 TO +26.4VDC COMMAND	GREEN RED WITH BLACK TRACER RED WITH WHITE TRACER
- (BAA-HX) - (DAA-HX)	4	COMMON POWER +20.4 TO +26.4VDC + COMMAND - COMMAND	GREEN RED WITH BLACK TRACER RED WITH WHITE TRACER RED WITH BLUE TRACER
- (CBB-IX)	5	COMMAND ANALOG MONITOR SIGNAL COMMON LOGIC MONITOR SIGNAL POWER +20.4 TO +26.4VDC	RED WITH WHITE TRACER RED GREEN RED WITH YELLOW TRACER RED WITH BLACK TRACER
- (BAB-IX) - (BBA-IX) - (DAB-IX) - (DBA-IX)	5	+ COMMAND - COMMAND COMMON LMS or AMS POWER +20.4 TO +26.4VDC	RED WITH WHITE TRACER RED GREEN RED WITH YELLOW TRACER RED WITH BLACK TRACER
- (BBB-JX) - (DBB-JX)	6	+ COMMAND ANALOG MONITOR SIGNAL COMMON LOGIC MONITOR SIGNAL POWER +20.4 TO +26.4VDC - COMMAND	RED WITH WHITE TRACER RED GREEN RED WITH YELLOW TRACER RED WITH BLACK TRACER RED WITH BLUE TRACER



Proportional pressure controller

Port size	Flow [Max] [Cv/NI/min]	Individual mounting	Series
1/8"	0.07/70 0.09/90	covered digital	PPC5C

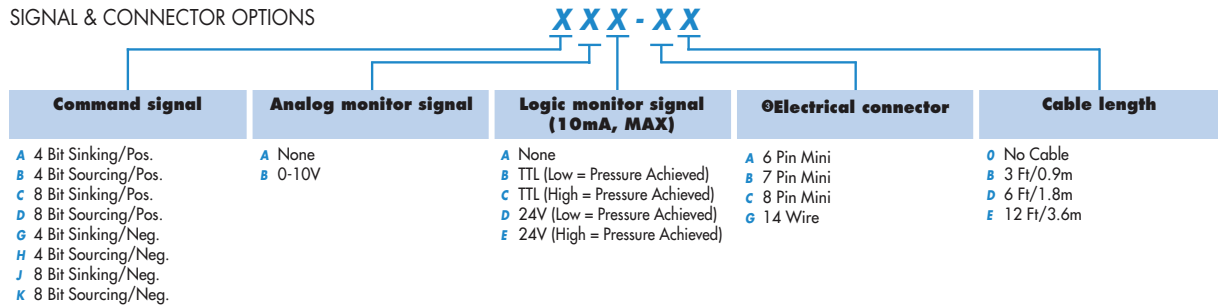
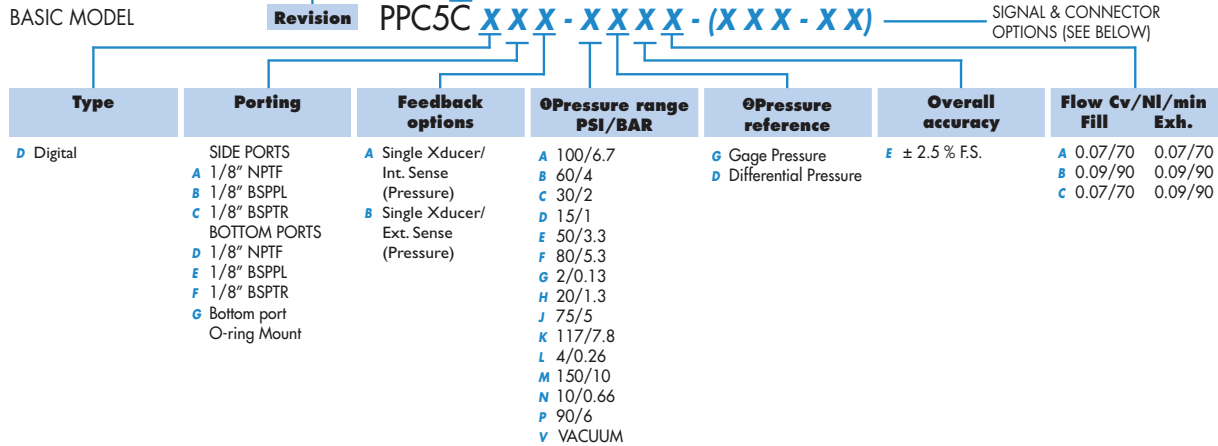
OPERATIONAL BENEFITS

1. Reliable operation, using two MAC 34 Series with balanced poppet.
2. Fast response.
3. Long life.
4. High flow.
5. Low power consumption.
6. Rugged enclosure.
7. Not affected by vibrations.
8. Accuracy : ± 2.5 % full scale.
9. Can be stand alone or used in combination with our remote air sandwich regulators.
10. Digital command signal.



- PPC5C
- PPC34B
- LCP35A
- PPC45B
- PPC47A
- PPC400A
- PPC92B
- PPC93A

HOW TO ORDER



IMPORTANT ! READ NOTES BEFORE ORDERING

1. Maximum inlet pressure for Option "D" (15 PSI) is 30 PSI. Maximum inlet pressure for Options "G" (2 PSI) and "L" (4 PSI) is 1.5 PSI. Vacuum at inlet should not exceed 25" HG.
2. Caution : Differential pressure must not exceed pressure range.
3. All connector options are available with the 4 Bit command signal. Options "A", "B", "C" can be supplied with or without a cable. Option "G" requires a cable. Select length from table.

The 4 Bit command signal without the analog monitor signal (AMS) or logic monitor signal (LMS) requires a 6 Pin connector. For the AMS or LMS options, add one pin for each. The 8 Bit command signal can only use Option "G". Select cable length from table.
Note : For PMPP ordering information, consult factory.
 For circuit bar® mounting of PPC5C, consult factory.

GENERAL DATA

Ambient temperature :	32°F to 120°F/0 to 50°C
LED indicators :	Red : power on - Green : pressure achieved
Enclosure :	Aluminium, sealed
Vibration :	Not affected
Port size :	G 1/8", 1/8" NPT - Option : bottom ports
Connector :	Mini 6, 7 or 8 pin plug-in 14 wire grommet
Mounting :	Any plane
Protection :	IP 65

ELECTRICAL DATA

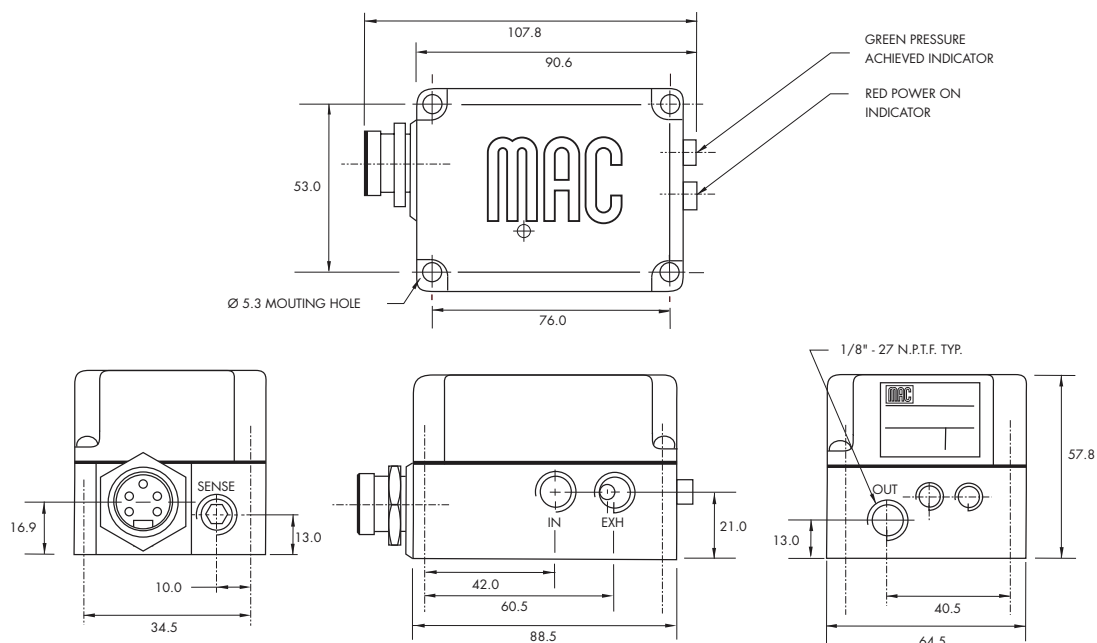
Supply voltage :	20.4 to 26.4 VDC
Supply current :	50 to 275mA (single transducer)
Command signal :	24V Sinking or 5V Sourcing
Command type :	4 or 8 Bit Digital, Positive and Negative Logic
Analog Monitor Signal	0 to 10 Volts
Logic Monitor Signal (AMS) : (Active High)	TTL or 24V (Hi = Pres. Achieved)
Logic Monitor Signal (LMS) : (Active Low)	TTL or 24V (Lo = Pres. Achieved)
EMI/RFI protection :	Common mode and high frequency noise reduction for electrical inputs

PNEUMATIC DATA

Inlet pressure* :	160 PSI max (for 0-150 PSI output pres.) 10.7 BAR max (for 0-10 BAR output pres.) 120 PSI max (for 20-117 PSI output pres.) 8 BAR max (for 1.3-7.8 BAR output pres.)
Inlet vacuum** :	25" HG/635 mm HG
Output vacuum :	0 to 20" HG/0 to 508 mm HG
Fluids :	Compressed air or inert gases
Lubrication :	Not required. However, if used, a medium aniline point oil is recommended
Output pressure :	0 to 2, 4, 10, 15, 20, 30, 50, 60, 100, 117, 150 PSI (single transducer) 0 to 0.13, 0.26, 0.66, 1, 1.3, 2, 3.3, 4, 6.7, 7.8, 10 BAR (single transducer)
Overall accuracy :	± 2.5% full scale (single transducer optional)
Flow :	Cv 0.07/70 NI/min (standard) - Cv 0.09/90 NI/min (High flow)
Minimum closed end volume :	1.0 cubic inch (Cv = 0.07) - 16 cm ³ (Flow = 70 NI/min)





* 30 PSI maximum inlet for 15 PSI output pressure - 2 BAR maximum inlet for 1 BAR output pressure -
15 PSI maximum inlet for 2 PSI and 4 PSI output pressure - 1 BAR maximum inlet for 0.13 BAR output pressure
** Vacuum inlet should not exceed 25"/635 mm HG

DIMENSIONS



OPTIONS

ELECTRICAL CONNECTOR PIN OUTS

4 BIT COMMAND SIGNAL	PIN	DESCRIPTION	MATING CORD
	1	DATA BIT 0	ORANGE
	2	DATA BIT 1	BLUE
	3	DATA BIT 2	BLACK
	4	DATA BIT 3	WHITE
	5	POWER +24 VDC	RED
	6	COMMON	GREEN
4 BIT COMMAND SIGNAL WITH AMS			
	1	DATA BIT 0	WHITE/BLACK
	2	DATA BIT 1	BLACK
	3	DATA BIT 2	WHITE
	4	DATA BIT 3	RED
	5	AMS	ORANGE
	6	POWER +24 V	BLUE
	7	COMMON	GREEN
4 BIT COMMAND SIGNAL WITH AMS & LMS			
	1	DATA BIT 0	ORANGE
	2	DATA BIT 1	BLUE
	3	DATA BIT 2	WHITE/BLACK
	4	DATA BIT 3	BLACK
	5	AMS	WHITE
	6	LMS	RED
	7	POWER +24 V	GREEN
	8	COMMON	RED/BLACK
4 BIT COMMAND SIGNAL WITH LMS			
	1	DATA BIT 0	WHITE/BLACK
	2	DATA BIT 1	BLACK
	3	DATA BIT 2	WHITE
	4	DATA BIT 3	RED
	5	LMS	ORANGE
	6	POWER +24 V	BLUE
	7	COMMON	GREEN
8 BIT COMMAND SIGNAL - 14 WIRE			
	1	+24 VDC	RED
	2	COMMON	BLACK
	3	DATA BIT 0	WHITE/BLACK
	4	DATA BIT 1	BLUE
	5	DATA BIT 2	GREEN/WHITE
	6	DATA BIT 3	RED/WHITE
	7	DATA BIT 4	BLUE/WHITE
	8	DATA BIT 5	ORANGE
	9	DATA BIT 6	BLACK/WHITE
	10	DATA BIT 7	BLUE/BLACK
	11	AMS	RED/BLACK
	12	LMS	GREEN/BLACK
	13	/AMS	WHITE
	14	/LATCH	ORANGE/BLACK

PPC5C

PPC34B

LCP35A

PPC45B

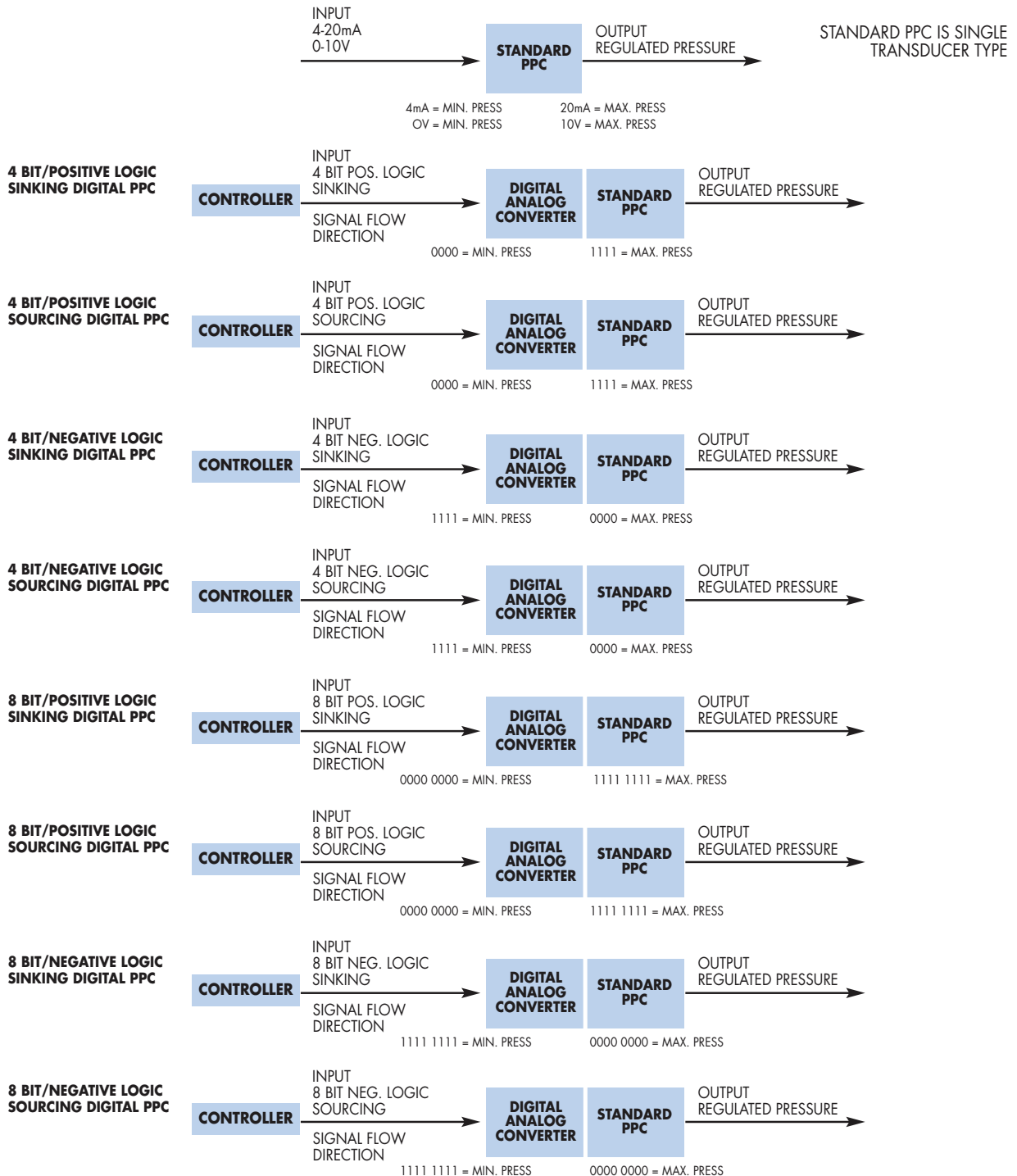
PPC47A

PPC400A

PPC92B

PPC93A

OPTIONS



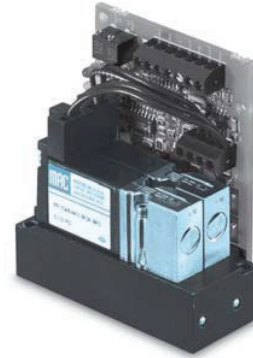


Proportional pressure controller

Part size	Flow [Max] [Cv/NI/min]	Individual mounting	Series
1/8"	0.07/70	coverless analog base mount	

OPERATIONAL BENEFITS

1. Reliable operation, using two MAC 34 Series with balanced poppet.
2. Fast response.
3. Long life.
4. High flow.
5. Low power consumption.
6. Not affected by vibrations.
7. Accurate pressure control.
8. Analog command signal and output.



PPC5C

PPC34B

LCP35A

PPC45B

HOW TO ORDER

BASIC MODEL

PPC034B **X X X** - **X X X X** - **X X X**

Type	Type of mounting	Pressure range PSI/BAR	Pressure reference	Accuracy	Command signal	Logic monitor signal	Cover options
A Analog	AA Base side port 1/8" NPTF AB Base side port 1/8" BSPPL AC Base side port 1/8" BSPTR AD Base side 5/32" tube receptacle BA Base bottom port 1/8" NPTF BB Base bottom port 1/8" BSPPL BC Base bottom port 1/8" BSPTR BD Base bottom 5/32" tube receptacle	0A 100/6.7 0B 60/4 0C 30/2 0N 10/0.66 0T 45/3	G Gage pressure D Differential pressure Caution: differential pressure must not exceed pressure range.	A ±1.5% F.S. C ±0.5% F.S. E ±2.5% F.S.	B 0-10v differential D 4-20mA differential	A TTL LMS 1,2 B 24v LMS High on TTL LMS 1 Press. Achieved C 24v LMS Low on TTL LMS Press. Achieved	0 No Cover

PPC47A

PPC400A

PPC92B

PPC93A

EXAMPLE : PPC034B **AAA - OBGA - BAO**

34 Series flow valves, analog, individual base mount 1/8" NPTF ports, 60 psi pressure range, gage reference, 1.5% accuracy, 0-10v differential, TTL LMS 1,2, no cover.

GENERAL DATA

Ambient temperature :	32 to 120°F/0 to 50°C
LED indicators :	Red : power on - Green : pressure achieved
Vibration :	Not affected
Port size :	G 1/8", 1/8" NPT - Option : bottom ports
Connector :	7 pin terminal block
Mounting :	Any plane

ELECTRICAL DATA

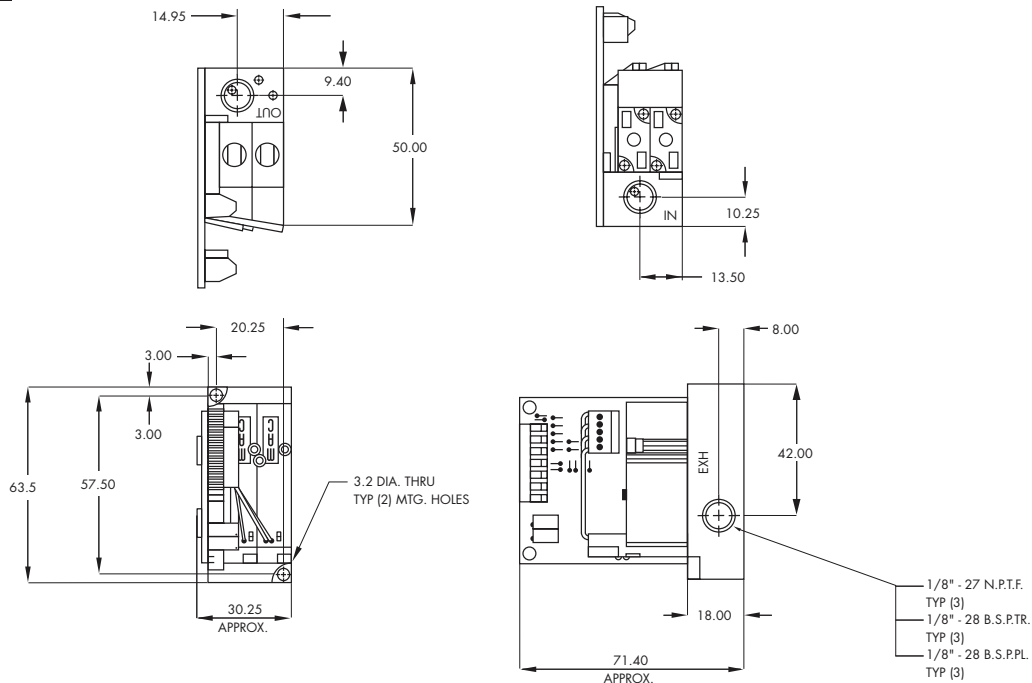
Supply voltage :	20.4 to 26.4 VDC
Supply current :	50 to 275mA
Command signal :	0 to 10V or 4 to 20mA
Command type :	Single-ended or differential
Input impedance :	4.99 kΩ ± 1.0% (voltage) 316 Ω ± 0.1% (current)
Analog Monitor Signal (AMS) :	0 to 10 Volt
Logic Monitor Signal (LMS) :	2 types of signals (see How to order) (sinking)
EMI/RFI protection :	Common mode and high frequency noise reduction for electrical inputs

PNEUMATIC DATA

Inlet pressure* :	120 PSI max (for 10-100 PSI output pres.) 8 BAR max (for 0.66-6.6 BAR output pres.)
Fluids :	Compressed air or inert gases
Lubrication :	Not required. However, if used, a medium aniline point oil is recommended
Output pressure :	0 to 10, 30, 45, 60, 100 PSI 0 to 0.66, 2, 3, 4, 6.6 BAR
Overall accuracy :	± 1.5% full scale ± 0.5% full scale ± 2.5% full scale
Flow :	Cv 0.07/70 NI/min
Minimum closed end volume :	1.0 cubic inch - 16 cm ³

* 20 PSI maximum inlet for 10 PSI output pressure - 1.3 BAR maximum inlet for 0.66 BAR output pressure

DIMENSIONS



Note: for additional dimensions , see pages 89, 90.



Proportional pressure controller

Port size	Flow [Max] [Cv/NI/min]	Circuit bar mounting	Series
1/8"	0.07/70	coverless analog base manifold mount	

OPERATIONAL BENEFITS

1. Reliable operation, using two MAC 34 Series with balanced poppet.
2. Fast response.
3. Long life.
4. High flow.
5. Low power consumption.
6. Not affected by vibrations.
7. Accurate pressure control.
8. Analog command signal and output.



PPC5C

PPC34B

LCP35A

PPC45B

HOW TO ORDER

BASIC MODEL

PPC034B **XXX-XXX-X-9** — Assembled to EPP bar

Type	Type of mounting	Pressure range PSI/BAR	Pressure reference	Accuracy	Command signal	Logic monitor signal	Cover options
A Analog	*CA Base manifold Mt	0A 100/6.7 0B 60/4 0C 30/2 0N 10/0.66 0T 45/3	G Gage pressure D Differential pressure Caution: differential pressure must not exceed pressure range.	A ±1.5% F.S. C ±0.5% F.S. E ±2.5% F.S.	B 0-10v differential D 4-20mA differential	A TTL LMS 1,2 B 24v LMS High on TTL LMS 1 Press. Achieved C 24v LMS Low on TTL LMS Press. Achieved	0 No Cover

* See EPP 34A "How to order"

PPC47A

PPC400A

PPC92B

PPC93A

CIRCUIT BAR FOR MANIFOLD MOUNT

EPP34A **XXXXX-XX-9** — PPC assembled to bar N° of stations

Spacing	Configuration	Style	Cyl. port size
00 31.75mm	A Side cylinder port B Bottom cylinder port	A Standard	A 1/8" NPTF B 1/8" BSPPL C 1/8" BSPTR D 5/32" tube receptacle (NPTF commons) E 5/32" tube receptacle (BSPPL commons) F 5/32" tube receptacle (BSPTR commons) Common (through) ports on manifold are 1/8"

EXAMPLE : 5 - PPC034B - **ACA - OAGE - BAO - 9**
1 - EPP34A - **00AAA - 05 - 9**

GENERAL DATA

Ambient temperature :	32 to 120°F/0 to 50°C
LED indicators :	Red : power on - Green : pressure achieved
Vibration :	Not affected
Port size :	G 1/8", 1/8" NPT - Option : bottom ports
Connector :	7 pin terminal block
Mounting :	Any plane

ELECTRICAL DATA

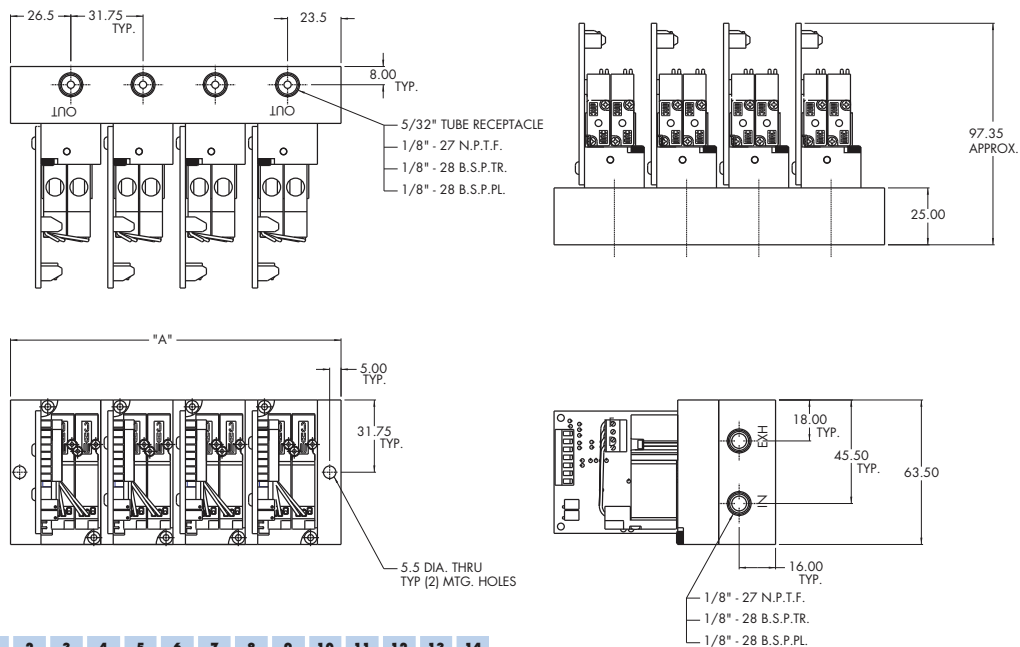
Supply voltage :	20.4 to 26.4 VDC
Supply current :	50 to 275mA
Command signal :	0 to 10V or 4 to 20mA
Command type :	Single-ended or differential
Input impedance :	4.99 kΩ ± 1.0% (voltage) 316 Ω ± 0.1% (current)
Analog Monitor Signal (AMS) :	0 to 10 Volt
Logic Monitor Signal (LMS) :	2 types of signals (see How to order) (sinking)
EMI/RFI protection :	Common mode and high frequency noise reduction for electrical inputs

PNEUMATIC DATA

Inlet pressure* :	120 PSI max (for 10-100 PSI output pres.) 8 BAR max (for 0.66-6.6 BAR output pres.)
Fluids :	Compressed air or inert gases
Lubrication :	Not required. However, if used, a medium aniline point oil is recommended
Output pressure :	0 to 10, 30, 45, 60, 100 PSI 0 to 0.66, 2, 3, 4, 6.6 BAR
Overall accuracy :	± 1.5% full scale ± 0.5% full scale ± 2.5% full scale
Flow :	Cv 0.07/70 NI/min
Minimum closed end volume :	1.0 cubic inch - 16 cm ³

* 20 PSI maximum inlet for 10 PSI output pressure - 1.3 BAR maximum inlet for 0.66 BAR output pressure

DIMENSIONS



Number of stations	1	2	3	4	5	6	7	8	9	10	11	12	13	14
"A"	50.0	81.75	113.5	145.25	177.0	208.75	240.5	272.25	304.0	335.75	367.5	399.25	431.0	462.75

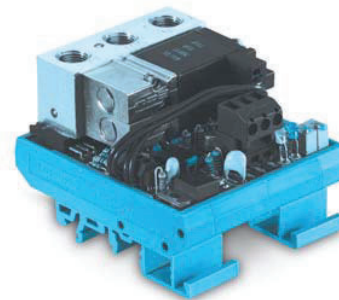


Proportional pressure controller

Port size	Flow [Max] [Cv/NI/min]	Mounting	Series
1/8"	0.07/70	coverless analog DIN rail mount	

OPERATIONAL BENEFITS

1. Reliable operation, using two MAC 34 Series with balanced poppet.
2. Fast response.
3. Long life.
4. High flow.
5. Low power consumption.
6. Not affected by vibrations.
7. Accurate pressure control.
8. Analog command signal and output.



PPC5C

PPC34B

LCP35A

PPC45B

HOW TO ORDER

BASIC MODEL

PPC034B XXX - XXXX - XXX

Type	Type of mounting	Pressure range PSI/BAR	Pressure reference	Accuracy	Command signal	Logic monitor signal	Cover options
A Analog	DIN RAIL OPTIONS Standard (EN50 022) DA Din rail base 1/8" NPTF side port DB Din rail base 1/8" BSPPL side port DC Din rail base 1/8" BSPTR side port DD Din rail base side 5/32" tube receptacle Phoenix contact UMK Type EA Base bottom port 1/8" NPTF EB Base bottom port 1/8" BSPPL EC Base bottom port 1/8" BSPTR ED Base bottom 5/32" tube receptacle	0A 100/6.7 0B 60/4 0C 30/2 0N 10/0.66 0T 45/3	G Gage pressure D Differential pressure Caution: differential pressure must not exceed pressure range.	A ±1.5% F.S. C ±0.5% F.S. E ±2.5% F.S.	B 0-10v differential D 4-20mA differential	A TTL LMS 1,2 B 24v LMS High on TTL LMS 1 Press. Achieved C 24v LMS Low on TTL LMS Press. Achieved	0 No Cover

PPC47A

PPC400A

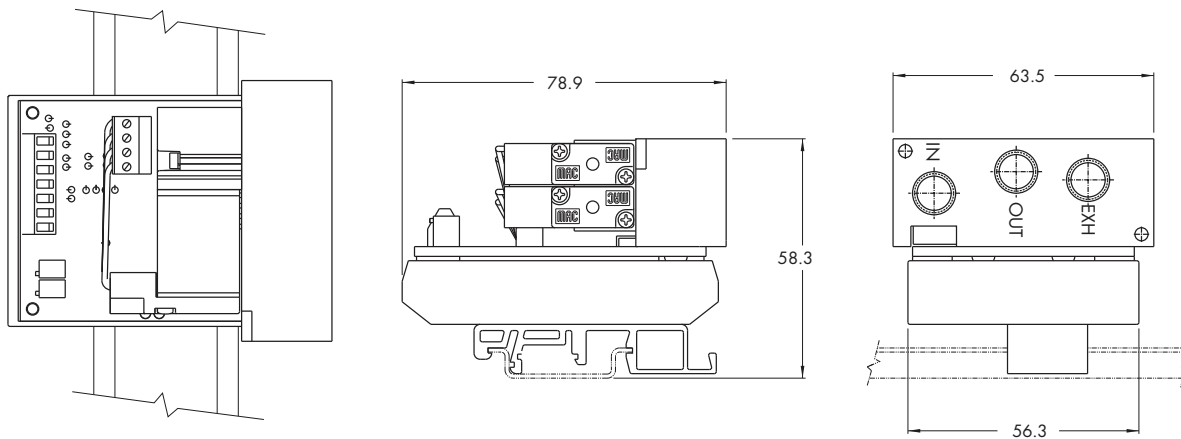
PPC92B

PPC93A

NOTE : Above photo shown with Phoenix UMK type.

GENERAL DATA		PNEUMATIC DATA	
Ambient temperature :	32 to 120°F/0 to 50°C	Inlet pressure* :	120 PSI max (for 10-100 PSI output pres.) 8 BAR max (for 0.66-6.6 BAR output pres.)
LED indicators :	Red : power on - Green : pressure achieved	Fluids :	Compressed air or inert gases
Vibration :	Not affected	Lubrication :	Not required. However, if used, a medium aniline point oil is recommended
Port size :	G 1/8", 1/8" NPT - Option : bottom ports	Output pressure :	0 to 10, 30, 45, 60, 100 PSI 0 to 0.66, 2, 3, 4, 6.6 BAR
Connector :	7 pin terminal block	Overall accuracy :	± 1.5% full scale ± 0.5% full scale ± 2.5% full scale
Mounting :	Any plane	Flow :	Cv 0.07/70 NI/min
ELECTRICAL DATA		Minimum closed end volume :	1.0 cubic inch - 16 cm ³
Supply voltage :	20.4 to 26.4 VDC	* 20 PSI maximum inlet for 10 PSI output pressure - 1.3 BAR maximum inlet for 0.66 BAR output pressure	
Supply current :	50 to 275mA		
Command signal :	0 to 10V or 4 to 20mA		
Command type :	Single-ended or differential		
Input impedance :	4.99 kΩ ± 1.0% (voltage) 316 Ω ± 0.1% (current)		
Analog Monitor Signal (AMS) :	0 to 10 Volt		
Logic Monitor Signal (LMS) :	2 types of signals (see How to order) (sinking)		
EMI/RFI protection :	Common mode and high frequency noise reduction for electrical inputs		

DIMENSIONS



Note: for additional dimensions , see pages 90.

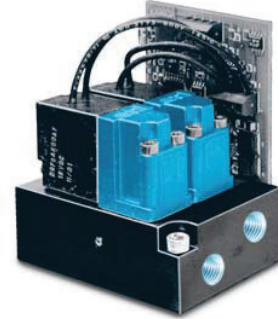


Proportional pressure controller

Part size	Flow [Max] [Cv/NI/min]	Individual mounting	Series
1/8"	0.10/100	coverless analog base mount	

OPERATIONAL BENEFITS

1. Reliable operation, using two MAC 35 Series
2. Repeatability.
3. Fast response.
4. Long life.
5. High flow.
6. Low power consumption.
7. Not affected by vibrations.
8. Accurate pressure control.
9. Analog command signal and output.



PPC5C

PPC34B

LCP35A

PPC45B

PPC47A

PPC400A

PPC92B

PPC93A

HOW TO ORDER

BASIC MODEL

LCP035A **X X X - X X X X - X**

Type	Type of mounting	Pressure range PSI/BAR	Pressure reference	Accuracy	Command signal
A Analog	AA Base side port 1/8" NPTF AB Base side port 1/8" BSPPL AC Base side port 1/8" BSPTR	0A 100/6.7 0B 60/4 0C 30/2 0N 10/0.7 0S 40/2.7 0T 45/3	G Gage pressure	A ±1.5% F.S. E ±2.5% F.S.	B 0-10v differential D 4-20mA differential

EXAMPLE : LCP035A **AAA - 0BGA - B**

35 series valves, analog, individual base mount 1/8" NPTF, 60 PSI/4 bar pressure range, gage reference, 1.5% accuracy, 0-10v differential

GENERAL DATA

Ambient temperature :	32 to 120°F/0 to 50°C
Vibration :	Not affected
Port size :	1/8"
Connector :	4 pin terminal block
Mounting :	Any plane

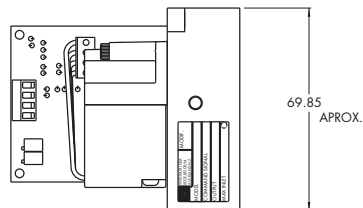
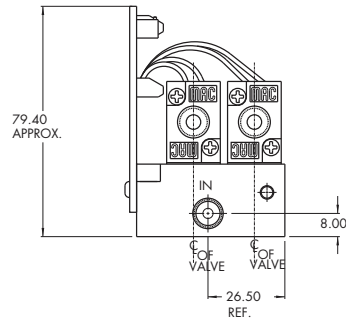
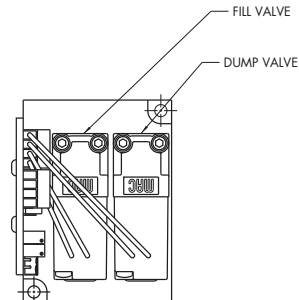
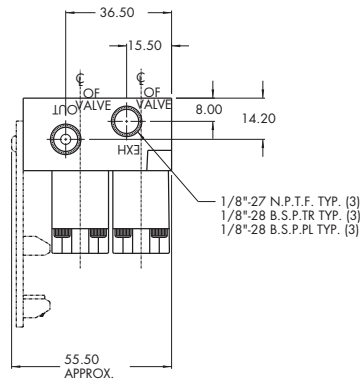
ELECTRICAL DATA

Supply voltage :	18 to 28 VDC
Supply current :	50 to 350mA
Command signal :	4 to 20mA, 0-10v
Command type :	Differential
Input impedance :	316 Ω ± 0.1% (current) 4.99 kΩ ± 1.0% (voltage)
EMI/RFI protection :	Common mode and high frequency noise reduction

PNEUMATIC DATA

Inlet pressure :	120 PSI max (for 10-100 PSI output pressure) 8 BAR max (for 0.66-6.6 BAR output pressure)
Fluids :	Air or inert gases
Lubrication :	Not required, if used select a medium aniline point oil
Output pressure :	0 to 10, 30, 40, 45, 60 and 100 0 to 0.66, 2, 2.6, 3, 4 and 6.6
Overall accuracy :	± 1.5% full scale ± 2.5% full scale
Flow :	Cv 0.10/100 NI/min
Minimum closed end volume :	1.0 cubic inch

DIMENSIONS



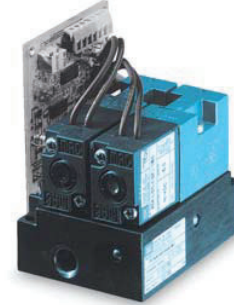


Proportional pressure controller

Part size	Flow [Max] [Cv/NI/min]	Individual mounting	Series
1/8"	0.25/250	coverless analog base mount	

OPERATIONAL BENEFITS

1. Reliable operation, using two MAC 45 Series with balanced poppet.
2. Fast response.
3. Long life.
4. High flow.
5. Low power consumption.
6. Not affected by vibrations.
7. Accurate pressure control.
8. Analog command signal and output.



PPC5C

PPC34B

LCP35A

PPC45A

HOW TO ORDER

BASIC MODEL

PPC045A **XXX - XXXX - XXX**

Type	Type of mounting	Pressure range PSI/BAR	Pressure reference	Accuracy	Command signal	Logic monitor signal	Cover options
A Analog	AA Base side port 1/8" NPTF AB Base side port 1/8" BSPPL AC Base side port 1/8" BSPTR AD Base side 1/4" tube receptacle BA Base bottom port 1/8" NPTF BB Base bottom port 1/8" BSPPL BC Base bottom port 1/8" BSPTR BD Base bottom 1/4" tube receptacle	0A 100/6.7 0B 60/4 0C 30/2 0N 10/0.66 0T 45/3	D Differential pressure G Gage pressure Caution: differential pressure must not exceed pressure range.	A ±1.5% F.S. C ±0.5% F.S. E ±2.5% F.S.	B 0-10v differential D 4-20mA differential	A TTL LMS 1,2 B 24v LMS High on TTL LMS 1 Press. Achieved C 24v LMS Low on TTL LMS Press. Achieved	0 No Cover

PPC47A

PPC400A

PPC92B

PPC93A

EXAMPLE :

PPC045A - **AAA - OAGE - BAO**

45 Series flow valves, individual base mount, 1/8" NPTF side ports, 100 psi pressure range, gage reference, 2.5% accuracy, 0-10 volt differential, TTL LMS 1,2, no cover.

GENERAL DATA

Ambient temperature :	32 to 120°F/0 to 50°C
LED indicators :	Red : power on - Green : pressure achieved
Vibration :	Not affected
Port size :	G 1/8", 1/8" NPT - Option : bottom ports
Connector :	7 pin terminal block
Mounting :	Any plane

ELECTRICAL DATA

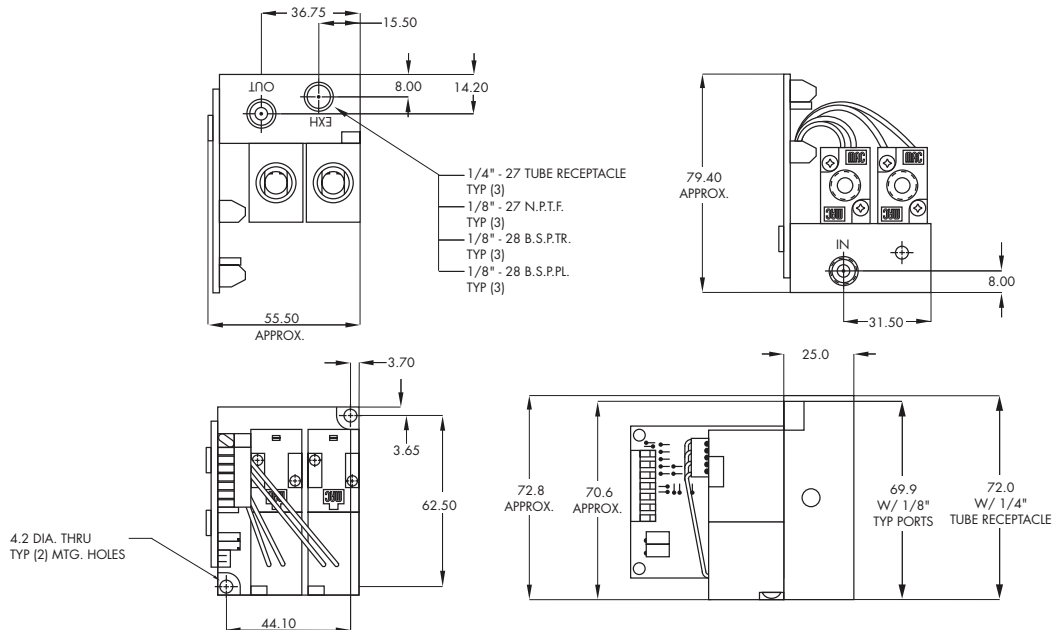
Supply voltage :	20.4 to 26.4 VDC
Supply current :	50 to 350mA
Command signal :	0 to 10V or 4 to 20mA
Command type :	Single-ended or differential
Input impedance :	4.99 kΩ ± 1.0% (voltage) 316 Ω ± 0.1% (current)
Analog Monitor Signal (AMS) :	0 to 10 Volt
Logic Monitor Signal (LMS) :	2 types of signals (see How to order) (sinking)
EMI/RFI protection :	Common mode and high frequency noise reduction for electrical inputs

PNEUMATIC DATA

Inlet pressure* :	120 PSI max (for 10-100 PSI output pres.) 8 BAR max (for 0.66-6.6 BAR output pres.)
Fluids :	Compressed air or inert gases
Lubrication :	Not required. However, if used, a medium aniline point oil is recommended
Output pressure :	0 to 10, 30, 45, 60, 100 PSI 0 to 0.66, 2, 3, 4, 6.6 BAR
Overall accuracy :	± 1.5% full scale ± 0.5% full scale ± 2.5% full scale
Flow :	Cv 0.25/250 NI/min
Minimum closed end volume :	1.0 cubic inch - 16 cm ³

* 20 PSI maximum inlet for 10 PSI output pressure - 1.3 BAR maximum inlet for 0.66 BAR output pressure

DIMENSIONS



Note: for additional dimensions , see pages 91.

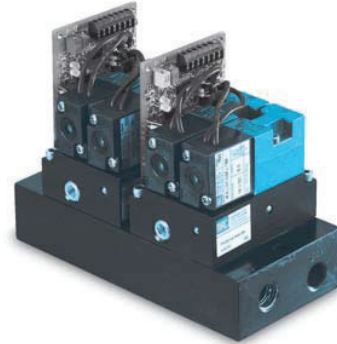


Proportional pressure controller

Port size	Flow [Max] [Cv/NI/min]	Circuit bar mounting	Series
1/8"	0.25/250	coverless analog base manifold mount	

OPERATIONAL BENEFITS

1. Reliable operation, using two MAC 45 Series with balanced poppet.
2. Fast response.
3. Long life.
4. High flow.
5. Low power consumption.
6. Not affected by vibrations.
7. Accurate pressure control.
8. Analog command signal and output.



PPC5C

PPC34B

LCP35A

PPC45A

HOW TO ORDER

BASIC MODEL

PPC045A **XXX-XXXX-XXX-9** — Assembled to EPP bar

Type	Type of mounting	Pressure range PSI/BAR	Pressure reference	Accuracy	Command signal	Logic monitor signal	Cover options
A Analog	*CA Base manifold Mt	0A 100/6.7 0B 60/4 0C 30/2 0N 10/0.66 0T 45/3	G Gage pressure D Differential pressure Caution: differential pressure must not exceed pressure range.	A ±1.5% F.S. C ±0.5% F.S. E ±2.5% F.S.	B 0-10v differential D 4-20mA differential	A TTL LMS 1,2 B 24v LMS High on TTL LMS 1 Press. Achieved C 24v LMS Low on TTL LMS Press. Achieved	0 No Cover

* See EPP 45A "How to order"

PPC47A

PPC400A

PPC92B

PPC93A

CIRCUIT BAR FOR MANIFOLD MOUNT

EPP45A **XXXXXX-XX-9** — PPC assembled to bar N° of stations

Spacing	Configuration	Style	Cyl. port size
00 57.0mm	A Side cylinder port B Bottom cylinder port	A Standard	A 1/8" NPTF B 1/8" BSPPL C 1/8" BSPTR D 1/4" tube receptacle (NPTF commons) E 1/4" tube receptacle (BSPPL commons) F 1/4" tube receptacle (BSPTR commons)

Common (through) ports on manifold are 1/4"

EXAMPLE : 5 - PPC045A - **ACA - OAGE - BA0 - 9**
1 - EPP45A - **00AAA - 05 - 9**

GENERAL DATA

Ambient temperature :	32 to 120°F/0 to 50°C
LED indicators :	Red : power on - Green : pressure achieved
Vibration :	Not affected
Port size :	G 1/8", 1/8" NPT - Option : bottom ports
Connector :	7 pin terminal block
Mounting :	Any plane

ELECTRICAL DATA

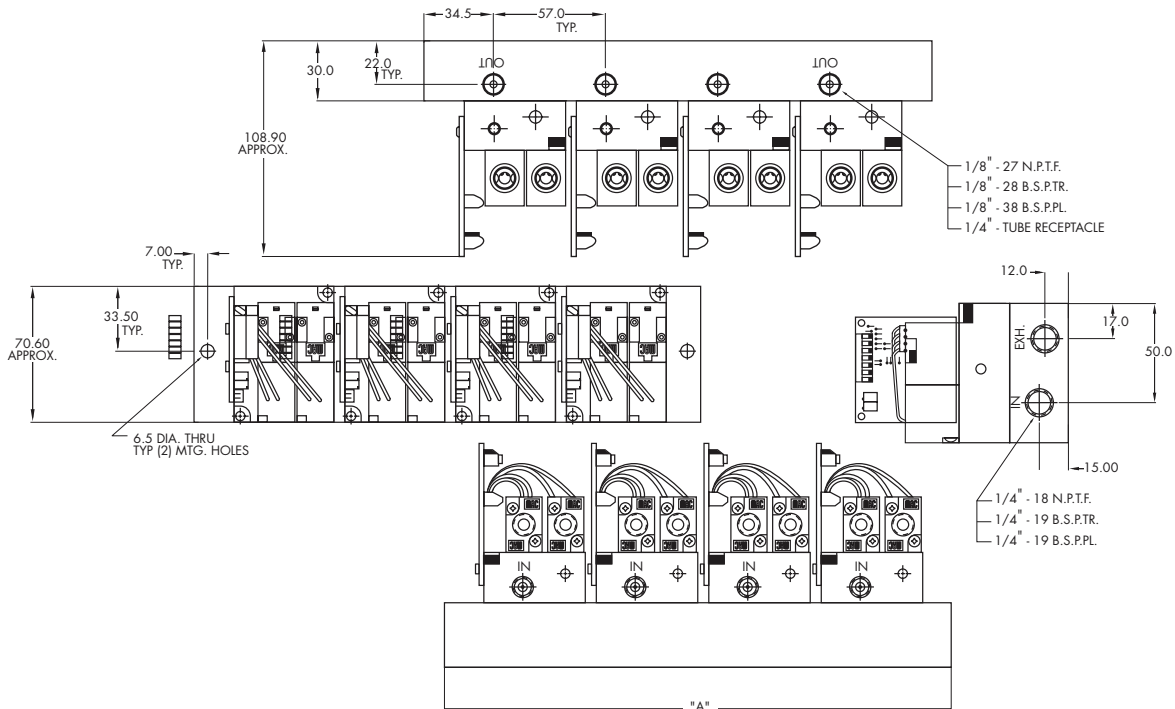
Supply voltage :	20.4 to 26.4 VDC
Supply current :	50 to 350mA
Command signal :	0 to 10V or 4 to 20mA
Command type :	Single-ended or differential
Input impedance :	4.99 kΩ ± 1.0% (voltage) 316 Ω ± 0.1% (current)
Analog Monitor Signal (AMS) :	0 to 10 Volt
Logic Monitor Signal (LMS) :	2 types of signals (see How to order) (sinking)
EMI/RFI protection :	Common mode and high frequency noise reduction for electrical inputs

PNEUMATIC DATA

Inlet pressure* :	120 PSI max (for 10-100 PSI output pres.) 8 BAR max (for 0.66-6.6 BAR output pres.)
Fluids :	Compressed air or inert gases
Lubrication :	Not required. However, if used, a medium aniline point oil is recommended
Output pressure :	0 to 10, 30, 45, 60, 100 PSI 0 to 0.66, 2, 3, 4, 6.6 BAR
Overall accuracy :	± 0.5% full scale ± 1.5% full scale ± 2.5% full scale
Flow :	Cv 0.25/250 NI/min
Minimum closed end volume :	1.0 cubic inch - 16 cm ³

* 20 PSI maximum inlet for 10 PSI output pressure - 1.3 BAR maximum inlet for 0.66 BAR output pressure

DIMENSIONS



Number of stations	1	2	3	4	5	6	7	8	9	10	11
"A"	86,5	143,5	200,5	257,5	314,5	371,5	428,5	485,5	542,5	599,5	656,5

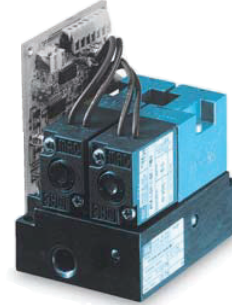


Proportional pressure controller

Part size	Flow [Max] [Cv/NI/min]	Mounting	Series
1/8"	0.25/250	coverless analog DIN rail mount	

OPERATIONAL BENEFITS

1. Reliable operation, using two MAC 45 Series with balanced poppet.
2. Fast response.
3. Long life.
4. High flow.
5. Low power consumption.
6. Not affected by vibrations.
7. Accurate pressure control.
8. Analog command signal and output.



PPC5C

PPC34B

LCP35A

PPC45A

HOW TO ORDER

BASIC MODEL

PPC045A **XXX - XXXX - XXX - 9** — Assembled to EPP bar

Type	Type of mounting	Pressure range PSI/BAR	Pressure reference	Accuracy	Command signal	Logic monitor signal	Cover options
A Analog	DIN RAIL OPTIONS Standard (EN50 022)	0A 100/6.7 0B 60/4 0C 30/2 0N 10/0.66 0T 45/3	D Differential pressure G Gage pressure Caution: differential pressure must not exceed pressure range.	A ±1.5% F.S. C ±0.5% F.S. E ±2.5% F.S.	B 0-10v differential D 4-20mA differential	A TTL LMS 1,2 B 24v LMS High on TTL LMS 1 Press. Achieved C 24v LMS Low on TTL LMS Press. Achieved	0 No Cover
	Phoenix contact UMK Type						
	EA Base bottom port 1/8" NPTF						
	EB Base bottom port 1/8" BSPPL						
	EC Base bottom port 1/8" BSPTR						
	ED Base bottom 1/4" tube receptacle						

PPC47A

PPC400A

PPC92B

PPC93A

GENERAL DATA

Ambient temperature :	32 to 120°F/0 to 50°C
LED indicators :	Red : power on - Green : pressure achieved
Vibration :	Not affected
Port size :	G 1/8", 1/8" NPT - Option : bottom ports
Connector :	7 pin terminal block
Mounting :	Any plane

ELECTRICAL DATA

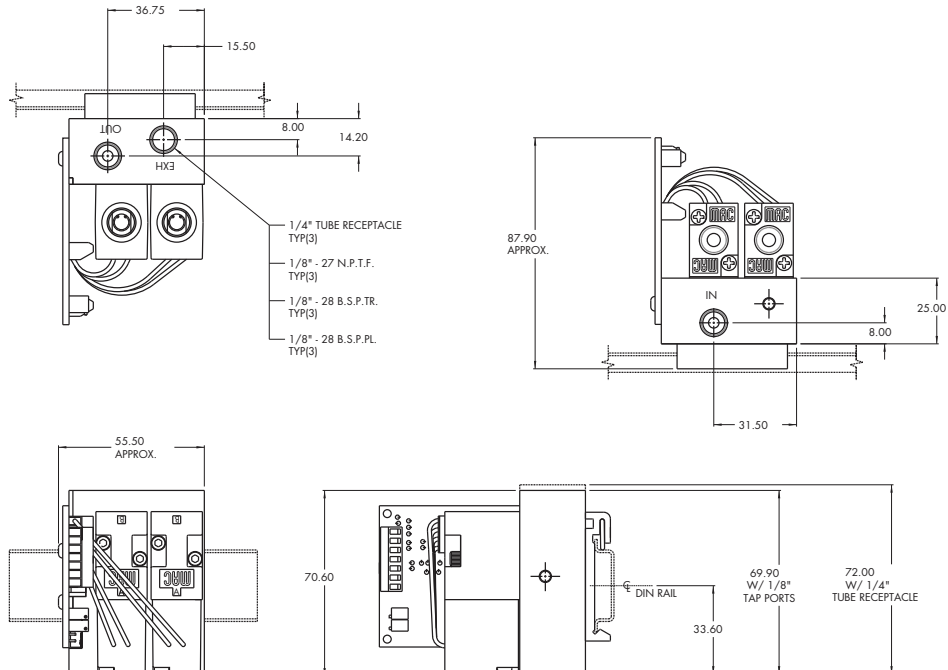
Supply voltage :	20.4 to 26.4 VDC
Supply current :	50 to 350mA
Command signal :	0 to 10V or 4 to 20mA
Command type :	Single-ended or differential
Input impedance :	4.99 kΩ ± 1.0% (voltage) 316 Ω ± 0.1% (current)
Analog Monitor Signal (AMS) :	0 to 10 Volt
Logic Monitor Signal (LMS) :	2 types of signals (see How to order) (sinking)
EMI/RFI protection :	Common mode and high frequency noise reduction for electrical inputs

PNEUMATIC DATA

Inlet pressure* :	120 PSI max (for 10-100 PSI output pres.) 8 BAR max (for 0.66-6.6 BAR output pres.)
Fluids :	Compressed air or inert gases
Lubrication :	Not required. However, if used, a medium aniline point oil is recommended
Output pressure :	0 to 10, 30, 45, 60, 100 PSI 0 to 0.66, 2, 3, 4, 6.6 BAR
Overall accuracy :	± 0.5% full scale ± 1.5% full scale ± 2.5% full scale
Flow :	Cv 0.25/250 NI/min
Minimum closed end volume :	1.0 cubic inch - 16 cm ³

* 20 PSI maximum inlet for 10 PSI output pressure - 1.3 BAR maximum inlet for 0.66 BAR output pressure

DIMENSIONS



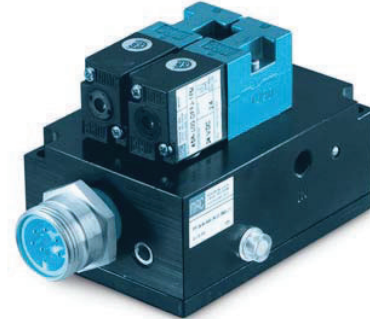


Proportional pressure controller

Port size	Flow [Max] [Cv/NI/min]	Individual mounting	Series
1/8"	0.25/250	covered analog base mount	

OPERATIONAL BENEFITS

1. Reliable operation, using two MAC 45 Series with balanced poppet.
2. Fast response.
3. Long life.
4. High flow.
5. Low power consumption.
6. Not affected by vibrations.
7. Accurate pressure control.
8. Analog command signal and output.



PPC5C

PPC34B

LCP35A

PPC45B

PPC47A

PPC400A

PPC92B

PPC93A

HOW TO ORDER

BASIC MODEL **PPC045B XXX - XXXX - (XXX - XX)** SIGNAL & CONNECTOR OPTIONS (SEE BELOW)

Type	Type of mounting	Pressure range PSI/BAR	Pressure reference	Accuracy
A Analog	AA Base side port 1/8" NPTF AB Base side port 1/8" BSPPL AC Base side port 1/8" BSPTR AD Base side port 1/4" tube receptacle 1/8" NPTF Exh. AE Base side port 1/4" tube receptacle 1/8" BSPPL Exh. AF Base side port 1/4" tube receptacle 1/8" BSPTR Exh.	0A 100/6.7 0B 60/4 0C 30/2 0N 10/0.66 0T 45/3	D Differential pressure G Gage pressure Caution: differential pressure must not exceed pressure range.	A ± 1.5 % F.S. C ± 0.5 % F.S. E ± 2.5 % F.S.

SIGNAL & CONNECTOR OPTIONS

Command signal	AMS/LMS signal	Cover options	Electrical connector	Cable length
B 0-10V Differential D 4-20mA Differential	0 No AMS or LMS A TTL LMS 1, 2 B 24v LMS 2 High on TTL LMS 1 Press. Achieved C 24v LMS Low on TTL LMS Press. Achieved D TTL LMS 1,2 w/AMS E 24v LMS 2 High on w/AMS TTL LMS 1 Press. Achieved F 24v LMS Low on w/AMS TTL LMS 1 Press. Achieved G AMS	A Sealed Electrical & electronic components w/Washdown valves	A 3 Pin Mini B 5 Pin Mini C 6 Pin Mini D 7 Pin Mini E 3 Pin Micro F 5 Pin Micro G 6 Pin Micro J 7 Wire Grommet (cable length required)	0 No Cable B 3 Ft/0.9m D 6 Ft/1.8m E 12 Ft/3.6m

NOTE

- (Options below are AMS/LMS signals)
- 3 Pin connector for option 0
- 5 Pin connector for option G
- 6 Pin connector for options A, B, C
- 7 Pin connector for options D, E, F
- 7 Wire grommet for all AMS/LMS signals

EXAMPLE : PPC045B **AAA - OAGE - BAA - C0**

45 Series flow valves, analog, 1/8" side ports (NPTF), 100 psi pressure range, gage reference, 2.5% accuracy, 0-10v differential, TTL LMS 1,2, sealed electrical components, 6 pin mini connector, no cable.

GENERAL DATA

Ambient temperature :	32 to 120°F/0 to 50°C
LED indicators :	Red : power on - Green : pressure achieved
Enclosure :	Aluminium Barstock, sealed
Vibration :	Not affected
Port size :	1/8" (side only)
Connector :	3, 5, 6 or 7 Pin Plug-in or 7 wire grommet
Mounting :	Any plane
Washdown :	Standard

ELECTRICAL DATA

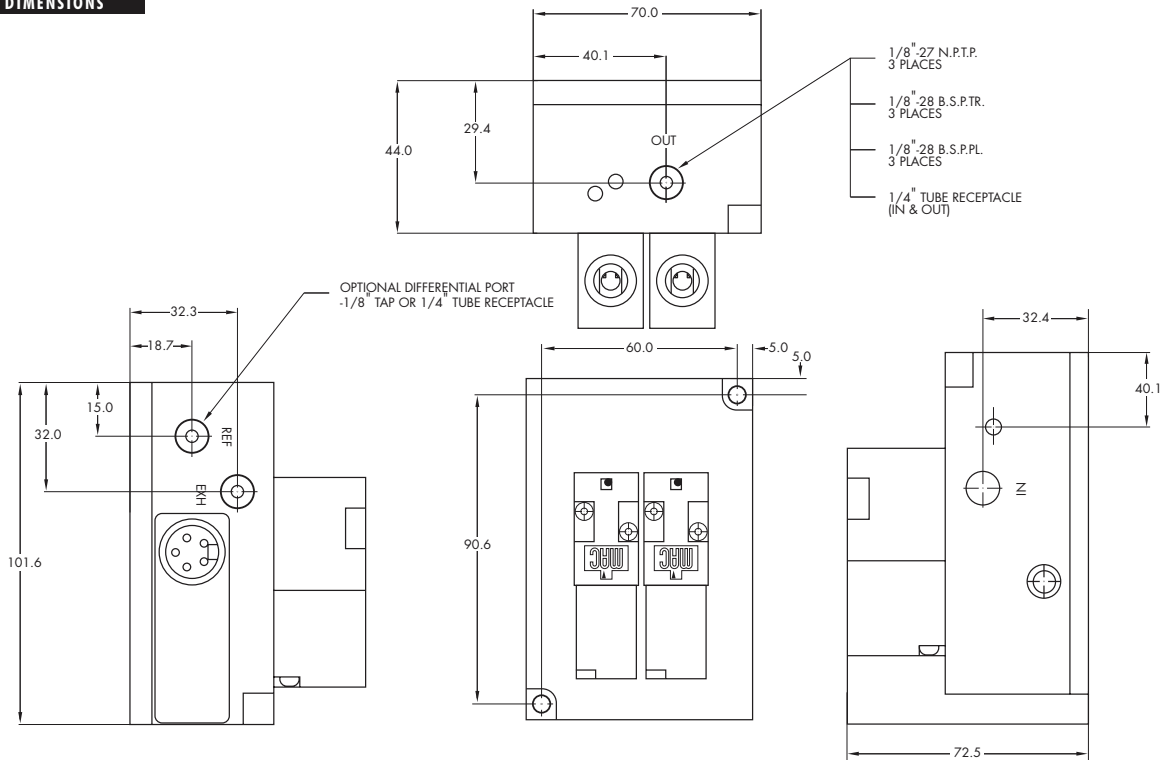
Supply voltage :	20.4 to 26.4 VDC
Supply current :	50 to 350mA
Command signal :	0 to 10V or 4 to 20mA
Command type :	Single-ended or differential
Input impedance :	4.99 kΩ ± 1.0% (voltage) 316 Ω ± 0.1% (current)
Analog Monitor Signal (AMS) :	0 to 10 Volt
Logic Monitor Signal (LMS) :	2 types of signals (see How to order) (sinking)
EMI/RFI protection :	Common mode and high frequency noise reduction for electrical inputs

PNEUMATIC DATA

Inlet pressure* :	120 PSI max (for 10-100 PSI output pres.) 8 BAR max (for 0.66-6.6 BAR output pres.)
Fluids :	Compressed air or inert gases
Lubrication :	Not required. However, if used, a medium aniline point oil is recommended
Output pressure :	0 to 10, 30, 45, 60, 100 PSI 0 to 0.66, 2, 3, 4, 6.6 BAR
Overall accuracy :	± 0.5% full scale ± 1.5% full scale ± 2.5% full scale
Flow :	Cv 0.25/250 NI/min
Minimum closed end volume :	1.0 cubic inch - 16 cm ³

* 20 PSI maximum inlet for 10 PSI output pressure - 1.3 BAR maximum inlet for 0.66 BAR output pressure


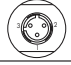





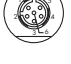





DIMENSIONS



OPTIONS

STANDARD PLUG-IN - ELECTRICAL CONNECTIONS

PPC045B XXX - XXXX - (XXX - XX) - ELECTRICAL OPTIONS

	PART NO.	PIN	DESCRIPTION	MATING CORD
	- (BOA-AX) - (DOA-AX)	3	COMMON POWER +20.4 TO +26.4VDC + COMMAND	GREEN BLACK WHITE
	- (BOA-EX) - (DOA-EX)	3 MICRO	COMMON POWER +20.4 TO +26.4VDC + COMMAND	GREEN RED WITH BLACK TRACER RED WITH WHITE TRACER
	- (BGA-BX) - (DGA-BX)	5	+ COMMAND ANALOG MONITOR SIGNAL COMMON - COMMAND POWER +20.4 TO +26.4VDC	WHITE RED GREEN ORANGE BLACK
	- (BGA-FX) - (DGA-FX)	5 MICRO	+ COMMAND ANALOG MONITOR SIGNAL COMMON - COMMAND POWER +20.4 TO +26.4VDC	RED WITH WHITE TRACER RED GREEN RED WITH YELLOW TRACER RED WITH BLACK TRACER
	- (BAA-CX) - (DAA-CX)	6	LMS1: TTL (high = pressure achieved) - COMMAND POWER +20.4 TO +26.4VDC + COMMAND LMS2: TTL (low = pressure achieved) COMMON	ORANGE BLUE BLACK WHITE RED GREEN
	- (BAA-GX) - (DAA-GX)	6 MICRO	+ COMMAND LMS2: TTL (low = pressure achieved) COMMON LMS1: TTL (high = pressure achieved) POWER +20.4 TO +26.4VDC - COMMAND	RED WITH WHITE TRACER RED GREEN RED WITH YELLOW TRACER RED WITH BLACK TRACER RED WITH BLUE TRACER
	- (BBA-CX) - (DBA-CX)	6	LMS1: TTL (high = pressure achieved) - COMMAND POWER +20.4 TO +26.4VDC + COMMAND LMS2: 24V (high = pressure achieved) COMMON	ORANGE BLUE BLACK WHITE RED GREEN
	- (BBA-GX) - (DBA-GX)	6 MICRO	+ COMMAND LMS2: 24V (high = pressure achieved) COMMON LMS1: TTL (high = pressure achieved) POWER +20.4 TO +26.4VDC - COMMAND	RED WITH WHITE TRACER RED GREEN RED WITH YELLOW TRACER RED WITH BLACK TRACER RED WITH BLUE TRACER
	- (BCA-CX) - (DCA-CX)	6	LMS1: TTL (high = pressure achieved) - COMMAND POWER +20.4 TO +26.4VDC + COMMAND LMS2: 24V (low = pressure achieved) COMMON	ORANGE BLUE BLACK WHITE RED GREEN
	- (BCA-GX) - (DCA-GX)	6 MICRO	+ COMMAND LMS2: 24V (low = pressure achieved) COMMON LMS1: TTL (high = pressure achieved) POWER +20.4 TO +26.4VDC - COMMAND	RED WITH WHITE TRACER RED GREEN RED WITH YELLOW TRACER RED WITH BLACK TRACER RED WITH BLUE TRACER
	- (BDA-DX) - (DDA-DX)	7	LMS2: TTL (low = pressure achieved) POWER +20.4 TO +26.4VDC + COMMAND ANALOG MONITOR SIGNAL LMS1: TTL (high = pressure achieved) - COMMAND COMMON	WHITE WITH BLACK TRACER BLACK WHITE RED ORANGE BLUE GREEN
	- (BEA-DX) - (DEA-DX)	7	LMS2: 24V (high = pressure achieved) POWER +20.4 TO +26.4VDC + COMMAND ANALOG MONITOR SIGNAL LMS1: TTL (high = pressure achieved) - COMMAND COMMON	WHITE WITH BLACK TRACER BLACK WHITE RED ORANGE BLUE GREEN
	- (BFA-DX) - (DFA-DX)	7	LMS2: 24V (low = pressure achieved) POWER +20.4 TO +26.4VDC + COMMAND ANALOG MONITOR SIGNAL LMS1: TTL (high = pressure achieved) - COMMAND COMMON	WHITE WITH BLACK TRACER BLACK WHITE RED ORANGE BLUE GREEN

PPC5C

PPC34B

LCP35A

PPC45B

PPC47A

PPC400A

PPC92B

PPC93A

OPTIONS

STANDARD WIRE GROMMET - ELECTRICAL CONNECTIONS

PPC045B XXX - XXXX - (XXX - XX) - ELECTRICAL OPTIONS

PART NO.	WIRES	DESCRIPTION	WIRE COLOR
- (BOA-JX) - (DOA-JX)	4	POWER +20.4 TO +26.4VDC COMMON - COMMAND + COMMAND	BLACK GREEN BLUE WHITE * BROWN (NOT USED) * ORANGE (NOT USED) * RED (NOT USED)
- (BGA-JX) - (DGA-JX)	5	POWER +20.4 TO +26.4VDC COMMON - COMMAND + COMMAND ANALOG MONITOR SIGNAL	BLACK GREEN BLUE WHITE RED * BROWN (NOT USED) * ORANGE (NOT USED)
- (BAA-JX) - (DAA-JX)	6	POWER +20.4 TO +26.4VDC COMMON - COMMAND + COMMAND LMS2: TTL (low = pressure achieved) LMS1: TTL (high = pressure achieved)	BLACK GREEN BLUE WHITE BROWN ORANGE * RED (NOT USED)
- (BBA-JX) - (DBA-JX)	6	POWER +20.4 TO +26.4VDC COMMON - COMMAND + COMMAND LMS2: 24V (high = pressure achieved) LMS1: TTL (high = pressure achieved)	BLACK GREEN BLUE WHITE BROWN ORANGE * RED (NOT USED)
- (BCA-JX) - (DCA-JX)	6	POWER +20.4 TO +26.4VDC COMMON - COMMAND + COMMAND LMS2: 24V (low = pressure achieved) LMS1: TTL (high = pressure achieved)	BLACK GREEN BLUE WHITE BROWN ORANGE * RED (NOT USED)
- (BDA-JX) - (DDA-JX)	7	POWER +20.4 TO +26.4VDC COMMON - COMMAND + COMMAND LMS2: TTL (low = pressure achieved) LMS1: TTL (high = pressure achieved) ANALOG MONITOR SIGNAL	BLACK GREEN BLUE WHITE BROWN ORANGE RED
- (BEA-JX) - (DEA-JX)	7	POWER +20.4 TO +26.4VDC COMMON - COMMAND + COMMAND LMS2: 24V (high = pressure achieved) LMS1: TTL (high = pressure achieved) ANALOG MONITOR SIGNAL	BLACK GREEN BLUE WHITE BROWN ORANGE RED
- (BFA-JX) - (DFA-JX)	7	POWER +20.4 TO +26.4VDC COMMON - COMMAND + COMMAND LMS2: 24V (low = pressure achieved) LMS1: TTL (high = pressure achieved) ANALOG MONITOR SIGNAL	BLACK GREEN BLUE WHITE BROWN ORANGE RED

NOTES

- * 1. All units with electrical connector option "J" (listed above) are factory equipped with a 7-wire grommet and wires not used are trimmed off to ends of cable.
- 2. Variable "X" = cable length

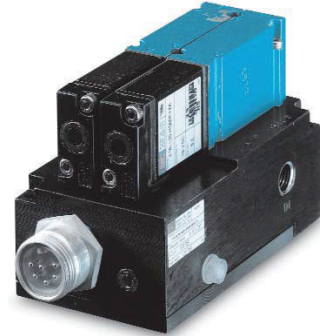


Proportional pressure controller

Port size	Flow [Max] [Cv/NI/min]	Individual mounting	Series
1/4"	0.72/720	covered analog	

OPERATIONAL BENEFITS

1. Reliable operation, using two MAC 47 Series with balanced poppet.
2. Fast response.
3. Long life.
4. High flow.
5. Low power consumption.
6. Not affected by vibrations.
7. Accurate pressure control.
8. Analog command signal and output.



PPC5C

PPC34B

LCP35A

PPC45B

HOW TO ORDER

BASIC MODEL **PPC047A XXX - XXXX - (XXX - XX)** SIGNAL & CONNECTOR OPTIONS (SEE BELOW)

Type	Type of mounting	Pressure range PSI/BAR	Pressure reference	Accuracy
A Analog	AA Base side port 1/4" NPTF AB Base side port 1/4" BSPPL AC Base side port 1/4" BSPTR AD Base side port 8mm tube receptacle 1/4" NPTF Exh. AE Base side port 8mm tube receptacle 1/4" BSPPL Exh. AF Base side port 8mm tube receptacle 1/4" BSPTR Exh.	0A 100/6.7 0B 60/4 0C 30/2 0N 10/0.66 0T 45/3	D Differential pressure G Gage pressure Caution: differential pressure must not exceed pressure range.	A ± 1.5 % F.S. E ± 2.5 % F.S.

PPC47A

PPC400A

PPC92B

PPC93A

SIGNAL & CONNECTOR OPTIONS

Command signal	AMS/LMS signal	Cover options	Electrical connector	Cable length
B 0-10V Differential D 4-20mA Differential	0 No AMS or LMS A TTL LMS 1, 2 B 24v LMS 2 High on TTL LMS 1 Press. Achieved C 24v LMS Low on TTL LMS Press. Achieved D TTL LMS 1,2 w/AMS E 24v LMS 2 High on w/AMS TTL LMS 1 Press. Achieved F 24v LMS Low on w/AMS TTL LMS 1 Press. Achieved G AMS	B Sealed Electrical & electronic components standard valves	A 3 Pin Mini B 5 Pin Mini C 6 Pin Mini D 7 Pin Mini E 3 Pin Micro F 5 Pin Micro G 6 Pin Micro J 7 Wire Grommet (cable length required)	0 No Cable B 3 Ft/0.9m D 6 Ft/1.8m E 12 Ft/3.6m

NOTE

- (Options below are AMS/LMS signals)
- 3 Pin connector for option 0
- 5 Pin connector for option G
- 6 Pin connector for options A, B, C
- 7 Pin connector for options D, E, F
- 7 Wire grommet for all AMS/LMS signals

EXAMPLE : PPC047A **AAA - OAGE - BAB - CO**

47 Series flow valves, analog, 1/4" side ports (NPTF), 100 psi pressure range, gage reference, 2.5% accuracy, 0-10v differential, TTL LMS 1,2, sealed electrical components, 6 pin mini connector, no cable.

GENERAL DATA

Ambient temperature :	32 to 120°F/0 to 50°C
LED indicators :	Red : power on - Green : pressure achieved
Enclosure :	Aluminium Barstock, sealed
Vibration :	Not affected
Port size :	1/4" (side only)
Connector :	3, 5, 6 or 7 Pin Plug-in or 7 wire grommet
Mounting :	Any plane
Washdown :	Not available at this time

ELECTRICAL DATA

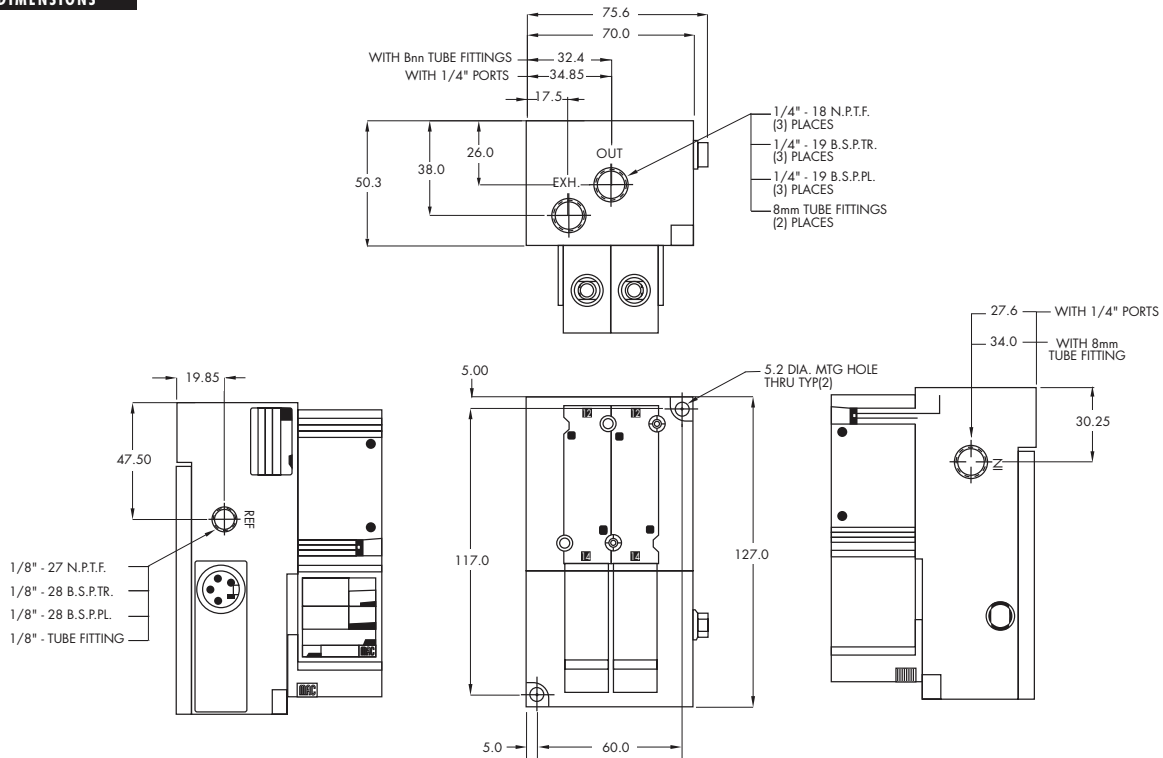
Supply voltage :	20.4 to 26.4 VDC
Supply current :	110 to 440mA
Command signal :	0 to 10V or 4 to 20mA
Command type :	Single-ended or differential
Input impedance :	4.99 kΩ ± 1.0% (voltage) 316 Ω ± 0.1% (current)
Analog Monitor Signal (AMS) :	0 to 10 Volt, single-ended
Logic Monitor Signal (LMS) :	2 types of signals (see How to order) (sinking)
EMI/RFI protection :	Common mode and high frequency noise reduction for electrical inputs

PNEUMATIC DATA

Inlet pressure* :	120 PSI max (for 10-100 PSI output pres.) 8 BAR max (for 0.66-6.6 BAR output pres.)
Fluids :	Compressed air or inert gases
Lubrication :	Not required. However, if used, a medium aniline point oil is recommended
Output pressure :	0 to 10, 30, 45, 60, 100 PSI 0 to 0.66, 2, 3, 4, 6.6 BAR
Overall accuracy :	± 1.5% full scale ± 2.5% full scale
Flow :	Cv 0.72/720 NI/min
Minimum closed end volume :	5.0 cubic inch - 82 cm ³

* 20 PSI maximum inlet for 10 PSI output pressure - 1.3 BAR maximum inlet for 0.66 BAR output pressure




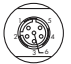


DIMENSIONS



OPTIONS

STANDARD PLUG-IN - ELECTRICAL CONNECTIONS

PPC047A XXX-XXXX-(XXX-XX)- ELECTRICAL OPTIONS

	PART NO.	PIN	DESCRIPTION	MATING CORD
	- (BOB-AX) - (DOB-AX)	3	COMMON POWER +20.4 TO +26.4VDC + COMMAND	GREEN BLACK WHITE
	- (BOB-EX) - (DOB-EX)	3 MICRO	COMMON POWER +20.4 TO +26.4VDC + COMMAND	GREEN RED WITH BLACK TRACER RED WITH WHITE TRACER
	- (BGB-BX) - (DGB-BX)	5	+ COMMAND ANALOG MONITOR SIGNAL COMMON - COMMAND POWER +20.4 TO +26.4VDC	WHITE RED GREEN ORANGE BLACK
	- (BGB-FX) - (DGB-FX)	5 MICRO	+ COMMAND ANALOG MONITOR SIGNAL COMMON - COMMAND POWER +20.4 TO +26.4VDC	RED WITH WHITE TRACER RED GREEN RED WITH YELLOW TRACER RED WITH BLACK TRACER
	- (BAB-CX) - (DAB-CX)	6	LMS1: TTL (high = pressure achieved) - COMMAND POWER +20.4 TO +26.4VDC + COMMAND LMS2: TTL (low = pressure achieved) COMMON	ORANGE BLUE BLACK WHITE RED GREEN
	- (BAB-GX) - (DAB-GX)	6 MICRO	+ COMMAND LMS2: TTL (high = pressure achieved) COMMON LMS1: TTL (high = pressure achieved) POWER +20.4 TO +26.4VDC - COMMAND	RED WITH WHITE TRACER RED GREEN RED WITH YELLOW TRACER RED WITH BLACK TRACER RED WITH BLUE TRACER
	- (BBB-CX) - (DBB-CX)	6	LMS1: TTL (high = pressure achieved) - COMMAND POWER +20.4 TO +26.4VDC + COMMAND LMS2: 24V (high = pressure achieved) COMMON	ORANGE BLUE BLACK WHITE RED GREEN
	- (BBB-GX) - (DBB-GX)	6 MICRO	+ COMMAND LMS2: 24V (high = pressure achieved) COMMON LMS1: TTL (high = pressure achieved) POWER +20.4 TO +26.4VDC - COMMAND	RED WITH WHITE TRACER RED GREEN RED WITH YELLOW TRACER RED WITH BLACK TRACER RED WITH BLUE TRACER
	- (BCB-CX) - (DCB-CX)	6	LMS1: TTL (high = pressure achieved) - COMMAND POWER +20.4 TO +26.4VDC + COMMAND LMS2: 24V (low = pressure achieved) COMMON	ORANGE BLUE BLACK WHITE RED GREEN
	- (BCB-GX) - (DCB-GX)	6 MICRO	+ COMMAND LMS2: 24V (low = pressure achieved) COMMON LMS1: TTL (high = pressure achieved) POWER +20.4 TO +26.4VDC - COMMAND	RED WITH WHITE TRACER RED GREEN RED WITH YELLOW TRACER RED WITH BLACK TRACER RED WITH BLUE TRACER
	- (BDB-DX) - (DDB-DX)	7	LMS2: TTL (low = pressure achieved) POWER +20.4 TO +26.4VDC + COMMAND ANALOG MONITOR SIGNAL LMS1: TTL (high = pressure achieved) - COMMAND COMMON	WHITE WITH BLACK TRACER BLACK WHITE RED ORANGE BLUE GREEN
	- (BEB-DX) - (DEB-DX)	7	LMS2: 24V (high = pressure achieved) POWER +20.4 TO +26.4VDC + COMMAND ANALOG MONITOR SIGNAL LMS1: TTL (high = pressure achieved) - COMMAND COMMON	WHITE WITH BLACK TRACER BLACK WHITE RED ORANGE BLUE GREEN
	- (BFB-DX) - (DFB-DX)	7	LMS2: 24V (low = pressure achieved) POWER +20.4 TO +26.4VDC + COMMAND ANALOG MONITOR SIGNAL LMS1: TTL (high = pressure achieved) - COMMAND COMMON	WHITE WITH BLACK TRACER BLACK WHITE RED ORANGE BLUE GREEN

PPC5C

PPC34B

LCP35A

PPC45B

PPC47A

PPC400A

PPC92B

PPC93A

OPTIONS

STANDARD WIRE GROMMET - ELECTRICAL CONNECTIONS

PPC047A XXX - XXXX - (XXX - XX) - ELECTRICAL OPTIONS

PART NO.	WIRES	DESCRIPTION	WIRE COLOR
- (BOB-JX) - (DOB-JX)	4	POWER +20.4 TO +26.4VDC COMMON - COMMAND + COMMAND	BLACK GREEN BLUE WHITE * BROWN (NOT USED) * ORANGE (NOT USED) * RED (NOT USED)
- (BGB-JX) - (DGB-JX)	5	POWER +20.4 TO +26.4VDC COMMON - COMMAND + COMMAND ANALOG MONITOR SIGNAL	BLACK GREEN BLUE WHITE RED * BROWN (NOT USED) * ORANGE (NOT USED)
- (BAB-JX) - (DAB-JX)	6	POWER +20.4 TO +26.4VDC COMMON - COMMAND + COMMAND LMS2: TTL (low = pressure achieved) LMS1: TTL (high = pressure achieved)	BLACK GREEN BLUE WHITE BROWN ORANGE * RED (NOT USED)
- (BBB-JX) - (DBB-JX)	6	POWER +20.4 TO +26.4VDC COMMON - COMMAND + COMMAND LMS2: 24V (high = pressure achieved) LMS1: TTL (high = pressure achieved)	BLACK GREEN BLUE WHITE BROWN ORANGE * RED (NOT USED)
- (BCB-JX) - (DCB-JX)	6	POWER +20.4 TO +26.4VDC COMMON - COMMAND + COMMAND LMS2: 24V (low = pressure achieved) LMS1: TTL (high = pressure achieved)	BLACK GREEN BLUE WHITE BROWN ORANGE * RED (NOT USED)
- (BDB-JX) - (DDB-JX)	7	POWER +20.4 TO +26.4VDC COMMON - COMMAND + COMMAND LMS2: TTL (low = pressure achieved) LMS1: TTL (high = pressure achieved) ANALOG MONITOR SIGNAL	BLACK GREEN BLUE WHITE BROWN ORANGE RED
- (BEB-JX) - (DEB-JX)	7	POWER +20.4 TO +26.4VDC COMMON - COMMAND + COMMAND LMS2: 24V (high = pressure achieved) LMS1: TTL (high = pressure achieved) ANALOG MONITOR SIGNAL	BLACK GREEN BLUE WHITE BROWN ORANGE RED
- (BFB-JX) - (DFB-JX)	7	POWER +20.4 TO +26.4VDC COMMON - COMMAND + COMMAND LMS2: 24V (low = pressure achieved) LMS1: TTL (high = pressure achieved) ANALOG MONITOR SIGNAL	BLACK GREEN BLUE WHITE BROWN ORANGE RED

NOTES

- * 1. All units with electrical connector option "J" (listed above) are factory equipped with a 7-wire grommet and wires not used are trimmed off to ends of cable.
- 2. Variable "X" = cable length

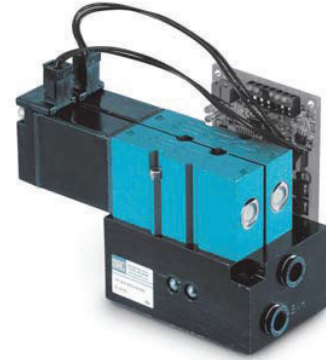


Proportional pressure controller

Port size	Flow [Max] [Cv/NI/min]	Individual mounting	Series
1/4"	0.74/740	coverless analog base mount	

OPERATIONAL BENEFITS

1. Reliable operation, using two MAC 47 Series with balanced poppet.
2. Fast response.
3. Long life.
4. High flow.
5. Low power consumption.
6. Not affected by vibrations.
7. Accurate pressure control.
8. Analog command signal and output.



PPC5C

PPC34B

LCP35A

PPC45B

HOW TO ORDER

BASIC MODEL

PPC047A **XXX - XXXX - XXX**

Type	Type of mounting	Pressure range PSI/BAR	Pressure reference	Accuracy	Command signal	Logic monitor signal	Cover options
A Analog	AA Base side port 1/4" NPTF AB Base side port 1/4" BSPPL AC Base side port 1/4" BSPTR AD Base side 8mm tube receptacle (1/4" NPTF Exh.) AE Base side 8mm tube receptacle (1/4" BSPPL Exh.) AF Base side 8mm tube receptacle (1/4" BSPTR Exh.) BA Base bottom port 1/4" NPTF BB Base bottom port 1/4" BSPPL BC Base bottom port 1/4" BSPTR BD Base bottom 8mm tube receptacle (1/4" NPTF Exh.) BE Base bottom 8mm tube receptacle (1/4" BSPPL Exh.) BF Base bottom 8mm tube receptacle (1/4" BSPTR Exh.)	0A 100/6.7 0B 60/4 0C 30/2 0N 10/0.66 0T 45/3	D Differential pressure G Gage pressure Caution: differential pressure must not exceed pressure range.	A ±1.5% F.S. E ±2.5% F.S.	B 0-10v differential D 4-20mA differential	A TTL LMS 1,2 B 24v LMS High on TTL LMS 1 Press. Achieved C 24v LMS Low on TTL LMS Press. Achieved	0 No Cover

PPC47A

PPC400A

PPC92B

PPC93A

EXAMPLE : PPC047A **AAA - OAGE - BAO**

47 Series flow valves, analog, base 1/4" NPTF side port, 100 psi pressure range, gage reference, 2.5% accuracy, 0-10v differential, TTL LMS 1,2, no cover.

NOTE :

Tube receptacles are normally installed in the "In" and "Out" port with the exhaust threaded. If a tube receptacle is required in the exhaust port, consult factory for MOD number.

GENERAL DATA

Ambient temperature :	32 to 120°F/0 to 50°C
LED indicators :	Red : power on - Green : pressure achieved
Vibration :	Not affected
Port size :	8mm tube receptacle, 1/4"
Connector :	7 pin terminal block
Mounting :	Any plane

ELECTRICAL DATA

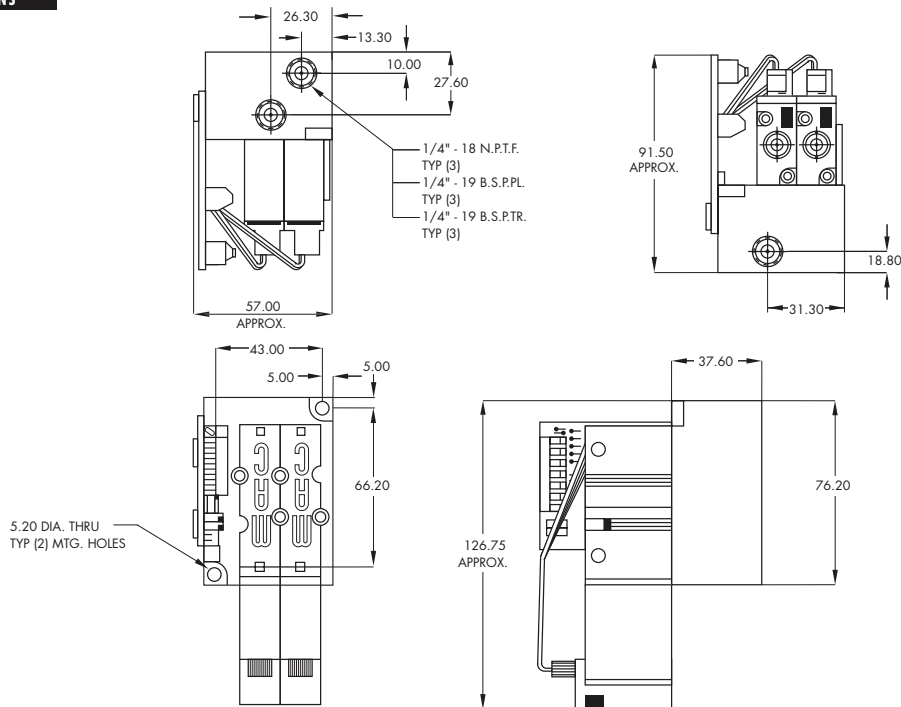
Supply voltage :	20.4 to 26.4 VDC
Supply current :	110 to 440mA
Command signal :	0 to 10V or 4 to 20mA
Command type :	Single-ended or differential
Input impedance :	4.99 kΩ ± 1.0% (voltage) 316 Ω ± 0.1% (current)
Analog Monitor Signal (AMS) :	0 to 10 Volt
Logic Monitor Signal (LMS) :	2 types of signals (see How to order) (sinking)
EMI/RFI protection :	Common mode and high frequency noise reduction for electrical inputs

PNEUMATIC DATA

Inlet pressure* :	120 PSI max (for 10-100 PSI output pres.) 8 BAR max (for 0.66-6.6 BAR output pres.)
Fluids :	Compressed air or inert gases
Lubrication :	Not required. However, if used, a medium aniline point oil is recommended
Output pressure :	0 to 10, 30, 45, 60, 100 PSI 0 to 0.66, 2, 3, 4, 6.6 BAR
Overall accuracy :	± 1.5% full scale ± 2.5% full scale
Flow :	Cv 0.74/740 NI/min
Minimum closed end volume :	5.0 cubic inch - 82 cm ³

* 20 PSI maximum inlet for 10 PSI output pressure - 1.3 BAR maximum inlet for 0.66 BAR output pressure

DIMENSIONS



Note: for additional dimensions , see pages 92, 93.

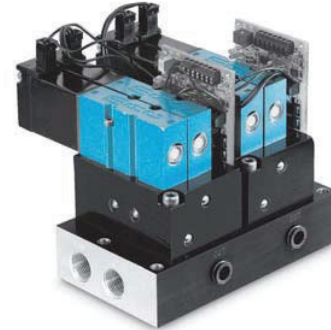


Proportional pressure controller

Port size	Flow [Max] [Cv/NI/min]	Circuit bar mounting	Series
1/4"	0.74/740	coverless analog base manifold mount	

OPERATIONAL BENEFITS

1. Reliable operation, using two MAC 47 Series with balanced poppet.
2. Fast response.
3. Long life.
4. High flow.
5. Low power consumption.
6. Not affected by vibrations.
7. Accurate pressure control.
8. Analog command signal and output.



PPC5C

PPC34B

LCP35A

PPC45B

HOW TO ORDER

BASIC MODEL

PPC047A **XXX-XXXX-XXX-9** — Assembled to EPP bar

Type	Type of mounting	Pressure range PSI/BAR	Pressure reference	Accuracy	Command signal	Logic monitor signal	Cover options
A Analog	*CA Base manifold Mt	0A 100/6.7 0B 60/4 0C 30/2 0N 10/0.66 0T 45/3	G Gage pressure D Differential pressure Caution: differential pressure must not exceed pressure range.	A ±1.5% F.S. E ±2.5% F.S.	B 0-10v differential D 4-20mA differential	A TTL LMS 1,2 B 24v LMS High on TTL LMS 1 Press. Achieved C 24v LMS Low on TTL LMS Press. Achieved	0 No Cover

* See EPP 47A "How to order"

PPC47A

PPC400A

PPC92B

PPC93A

CIRCUIT BAR FOR MANIFOLD MOUNT

EPP47A **XXXXXX-XX-9** — PPC assembled to bar N° of stations

Spacing	Configuration	Style	Output port size
00 59.0mm	A Side output port B Bottom output port	A Standard	A 1/4" NPTF B 1/4" BSPPL C 1/4" BSPTR D 8mm tube receptacle (NPTF commons) E 8mm tube receptacle (BSPPL commons) F 8mm tube receptacle (BSPTR commons) Common (through) ports on manifold are 3/8"

EXAMPLE : 5 - PPC047A - **ACA - OAGE - BA0 - 9**
1 - EPP47A - **00AAA - 05 - 9**

GENERAL DATA

Ambient temperature :	32 to 120°F/0 to 50°C
LED indicators :	Red : power on - Green : pressure achieved
Vibration :	Not affected
Port size :	8mm tube receptacle, 1/4"
Connector :	7 pin terminal block
Mounting :	Any plane

ELECTRICAL DATA

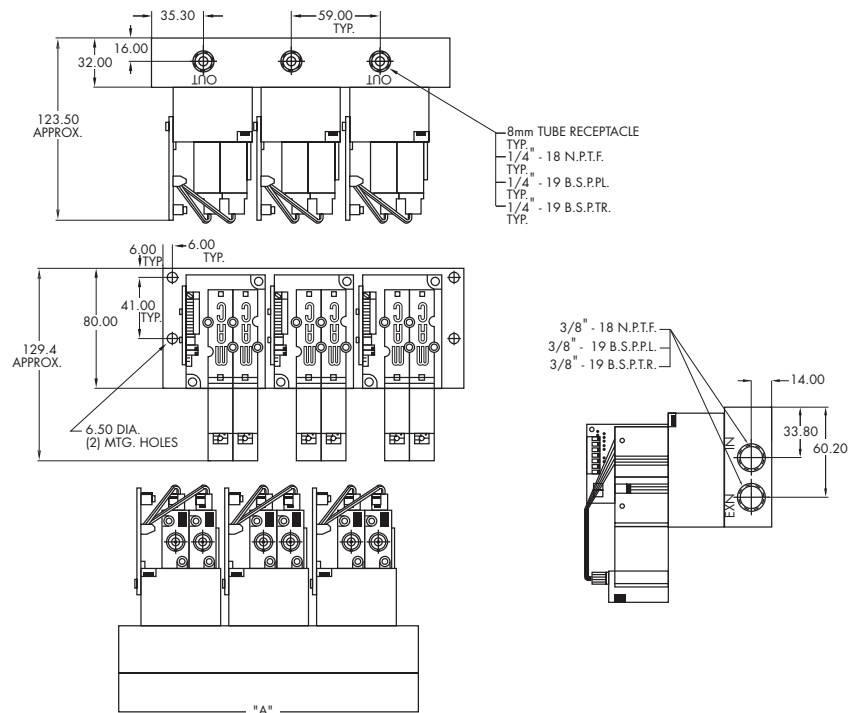
Supply voltage :	20.4 to 26.4 VDC
Supply current :	110 to 440mA
Command signal :	0 to 10V or 4 to 20mA
Command type :	Single-ended or differential
Input impedance :	4.99 kΩ ± 1.0% (voltage) 316 Ω ± 0.1% (current)
Analog Monitor Signal (AMS) :	0 to 10 Volt
Logic Monitor Signal (LMS) :	2 types of signals (see How to order) (sinking)
EMI/RFI protection :	Common mode and high frequency noise reduction for electrical inputs

PNEUMATIC DATA

Inlet pressure* :	120 PSI max (for 10-100 PSI output pres.) 8 BAR max (for 0.66-6.6 BAR output pres.)
Fluids :	Compressed air or inert gases
Lubrication :	Not required. However, if used, a medium aniline point oil is recommended
Output pressure :	0 to 10, 30, 45, 60, 100 PSI 0 to 0.66, 2, 3, 4, 6.6 BAR
Overall accuracy :	± 1.5% full scale ± 2.5% full scale
Flow :	Cv 0.74/740 NI/min
Minimum closed end volume :	5.0 cubic inch - 82 cm ³

* 20 PSI maximum inlet for 10 PSI output pressure - 1.3 BAR maximum inlet for 0.66 BAR output pressure

DIMENSIONS



Number of stations	1	2	3	4	5	6	7	8	9	10	11
"A"	83	142	201	260	319	378	437	496	555	614	673

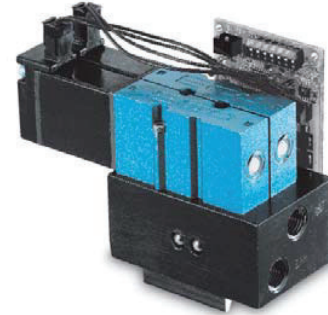


Proportional pressure controller

Port size	Flow [Max] [Cv/NI/min]	Mounting	Series
1/4"	0.74/740	coverless analog DIN rail mount	

OPERATIONAL BENEFITS

1. Reliable operation, using two MAC 47 Series with balanced poppet.
2. Fast response.
3. Long life.
4. High flow.
5. Low power consumption.
6. Not affected by vibrations.
7. Accurate pressure control.
8. Analog command signal and output.



PPC5C

PPC34B

LCP35A

PPC45B

HOW TO ORDER

BASIC MODEL

PPC047A **X X X - X X X X - X X X**

Type	Type of mounting	Pressure range PSI/BAR	Pressure reference	Accuracy	Command signal	Logic monitor signal	Cover options
A Analog	DA Din rail base 1/4" NPTF side port DB Din rail base 1/4" BSPPL side port DC Din rail base 1/4" BSPTR side port DD Din rail base side 8mm tube receptacle (1/4" NPTF Exh.) DE Din rail base side 8mm tube receptacle (1/4" BSPPL Exh.) DF Din rail base side 8mm tube receptacle (1/4" BSPTR Exh.)	0A 100/6.7 0B 60/4 0C 30/2 0N 10/0.66 0T 45/3	D Differential pressure G Gage pressure Caution: differential pressure must not exceed pressure range.	A ±1.5% F.S. E ±2.5% F.S.	B 0-10v differential D 4-20mA differential	A TTL LMS 1,2 B 24v LMS High on TTL LMS 1 Press. Achieved C 24v LMS Low on TTL LMS Press. Achieved	0 No Cover

PPC47A

PPC400A

PPC92B

PPC93A

GENERAL DATA

Ambient temperature :	32 to 120°F/0 to 50°C
LED indicators :	Red : power on - Green : pressure achieved
Vibration :	Not affected
Port size :	8mm tube receptacle, 1/4"
Connector :	7 pin terminal block
Mounting :	Any plane

ELECTRICAL DATA

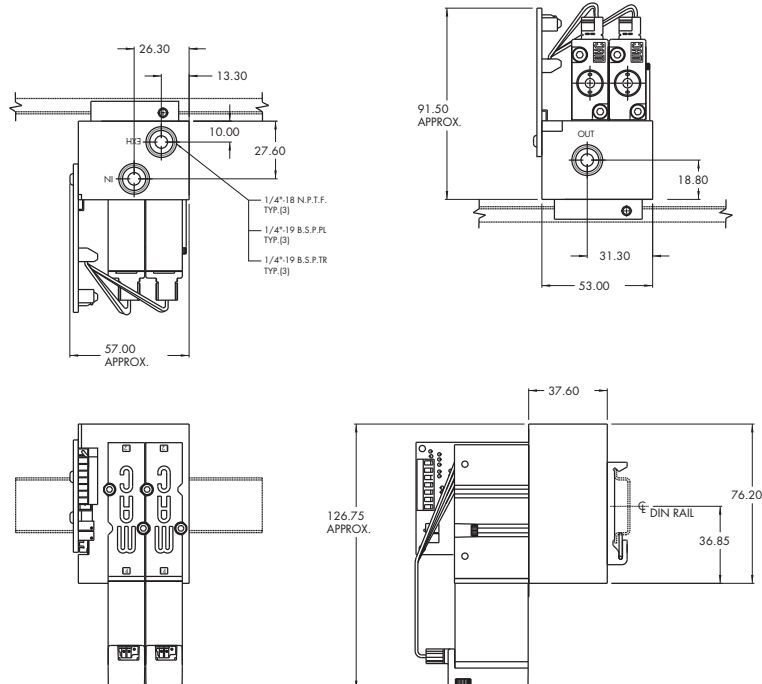
Supply voltage :	20.4 to 26.4 VDC
Supply current :	110 to 440mA
Command signal :	0 to 10V or 4 to 20mA
Command type :	Single-ended or differential
Input impedance :	4.99 kΩ ± 1.0% (voltage) 316 Ω ± 0.1% (current)
Analog Monitor Signal (AMS) :	0 to 10 Volt
Logic Monitor Signal (LMS) :	2 types of signals (see How to order) (sinking)
EMI/RFI protection :	Common mode and high frequency noise reduction for electrical inputs

PNEUMATIC DATA

Inlet pressure* :	120 PSI max (for 10-100 PSI output pres.) 8 BAR max (for 0.66-6.6 BAR output pres.)
Fluids :	Compressed air or inert gases
Lubrication :	Not required. However, if used, a medium aniline point oil is recommended
Output pressure :	0 to 10, 30, 45, 60, 100 PSI 0 to 0.66, 2, 3, 4, 6.6 BAR
Overall accuracy :	± 1.5% full scale ± 2.5% full scale
Flow :	Cv 0.74/740 NI/min
Minimum closed end volume :	5.0 cubic inch - 82 cm ³

* 20 PSI maximum inlet for 10 PSI output pressure - 1.3 BAR maximum inlet for 0.66 BAR output pressure

DIMENSIONS



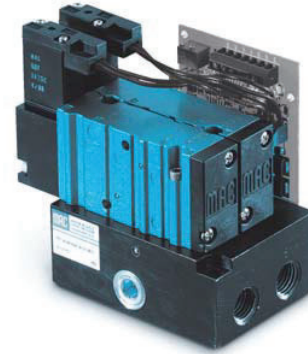


Proportional pressure controller

Part size	Flow [Max] [Cv/NI/min]	Individual mounting	Series
1/4"	1.3/1300	coverless analog base mount	

OPERATIONAL BENEFITS

1. Reliable operation, using two MAC 400 Series with balanced pilot.
2. Fast response.
3. Long life.
4. High flow.
5. Low power consumption.
6. Not affected by vibrations.
7. Accuracy : $\pm 2.5\%$ full scale.
8. Analog command signal and output.



PPC5C

PPC34B

LCP35A

PPC45B

HOW TO ORDER

BASIC MODEL

PPC400A **XXX - XXXX - XXX**

Type	Type of mounting	Pressure range PSI/BAR	Pressure reference	Accuracy	Command signal	Logic monitor signal	Cover options
A Analog (int. pilot)	AA Base side port 1/4" NPTF	0A 100/6.7	G Gage pressure	E $\pm 2.5\%$ F.S.	B 0-10v differential	A TTL LMS 1,2	0 No Cover
B Analog (ext. pilot)	AB Base side port 1/4" BSPPL	0B 60/4	D Differential pressure		D 4-20mA differential	B 24v LMS High on TTL LMS 1 Press. Achieved	
	AC Base side port 1/4" BSPTR	0C 30/2				C 24v LMS Low on TTL LMS Press. Achieved	
	AD Base side 8mm tube receptacle	0N 10/0.66	Caution: differential pressure must not exceed pressure range.				
	BA Base bottom port 1/4" NPTF	0T 45/3					
	BB Base bottom port 1/4" BSPPL						
	BC Base bottom port 1/4" BSPTR						
	BD Base bottom 8mm tube receptacle						

PPC47A

PPC400A

PPC92B

PPC93A

EXAMPLE : PPC400A **AAA - OAGE - BAO**

400 Series flow valves, analog, side port 1/4" NPTF, 100 psi pressure range, gage reference, 2.5% accuracy, 0-10v differential, TTL LMS 1,2, no cover.

GENERAL DATA

Ambient temperature :	32 to 120°F/0 to 50°C
LED indicators :	Red : power on - Green : pressure achieved
Vibration :	Not affected
Port size :	G1/4", 1/4" NPTF - Option : bottom ports
Connector :	7 pin terminal block
Mounting :	Any plane

ELECTRICAL DATA

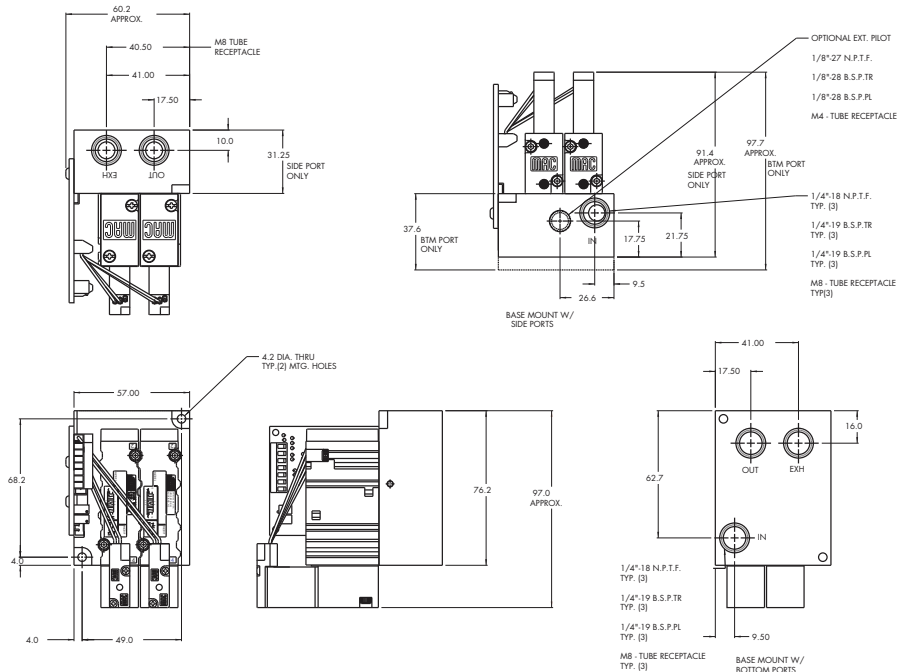
Supply voltage :	20.4 to 26.4 VDC
Supply current :	50 to 350mA
Command signal :	0 to 10V or 4 to 20mA
Command type :	Single-ended or differential
Input impedance :	4.99 kΩ ± 1.0% (voltage) 316 Ω ± 0.1% (current)
Analog Monitor Signal (AMS) :	0 to 10 Volt
Logic Monitor Signal (LMS) :	2 types of signals (see How to order) (sinking)
EMI/RFI protection :	Common mode and high frequency noise reduction for electrical inputs

PNEUMATIC DATA

Inlet pressure* :	120 PSI max (for 10-100 PSI output pres.) 8 BAR max (for 0.66-6.6 BAR output pres.)
Fluids :	Compressed air or inert gases
Lubrication :	Not required. However, if used, a medium aniline point oil is recommended
Output pressure :	0 to 10, 30, 45, 60, 100 PSI 0 to 0.66, 2, 3, 4, 6.6 BAR
Overall accuracy :	± 2.5% full scale
Flow :	Cv 1.3/1300 NI/min
Minimum closed end volume :	50.0 cubic inch - 820 cm ³

* 20 PSI maximum inlet for 10 PSI output pressure - 1.3 BAR maximum inlet for 0.66 BAR output pressure.
Minimum inlet pressure for 400 series internal pilot is 20 PSI/1.3 BAR.

DIMENSIONS





Proportional pressure controller

Port size	Flow [Max] [Cv/NI/min]	Mounting	Series
1/4"	1.3/1300	coverless analog DIN rail mount	

OPERATIONAL BENEFITS

1. Reliable operation, using two MAC 400 Series with balanced pilot.
2. Fast response.
3. Long life.
4. High flow.
5. Low power consumption.
6. Not affected by vibrations.
7. Accuracy : $\pm 2.5\%$ full scale.
8. Analog command signal and output.



PPC5C

PPC34B

LCP35A

PPC45B

HOW TO ORDER

BASIC MODEL

PPC400A **X X X - X X X X - X X X**

Type	Type of mounting	Pressure range PSI/BAR	Pressure reference	Accuracy	Command signal	Logic monitor signal	Cover options
A Analog (int. pilot)	DA Din rail base 1/4" NPTF side port	0A 100/6.7	G Gage pressure	E $\pm 2.5\%$ F.S.	B 0-10v differential	A TTL LMS 1,2	0 No Cover
B Analog (ext. pilot)	DB Din rail base 1/4" BSPPL side port	0B 60/4	D Differential pressure		D 4-20mA differential	B 24v LMS High on TTL LMS 1 Press. Achieved	
	DC Din rail base 1/4" BSPTR side port	0C 30/2				C 24v LMS Low on TTL LMS Press. Achieved	
	DD Din rail base side 8mm tube receptacle	0D 10/0.66 0T 45/3	Caution: differential pressure must not exceed pressure range.				

Note: Din rail mount (EN50 022)

PPC47A

PPC400A

PPC92B

PPC93A

EXAMPLE : PPC400A **ADA - OAGE - BAO**

400 Series flow valves, analog, din rail 1/4" NPTF side port, 100 psi pressure range, gage reference, 2.5% accuracy, 0-10v differential, TTL LMS 1,2, no cover.

GENERAL DATA

Ambient temperature :	32 to 120°F/0 to 50°C
LED indicators :	Red : power on - Green : pressure achieved
Vibration :	Not affected
Port size :	G1/4", 1/4" NPTF - Option : bottom ports
Connector :	7 pin terminal block
Mounting :	Any plane

ELECTRICAL DATA

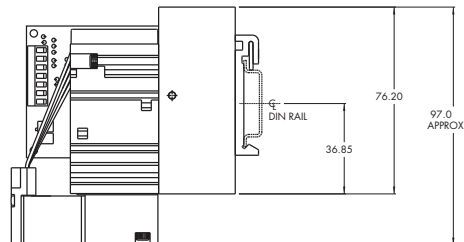
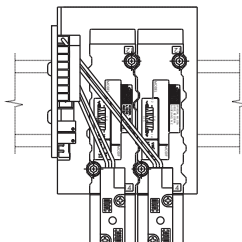
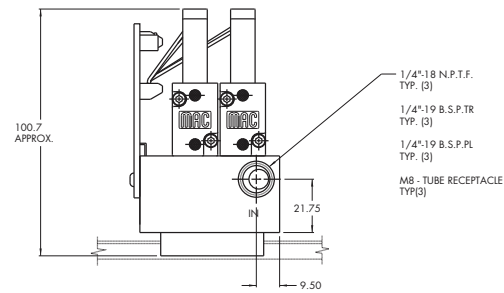
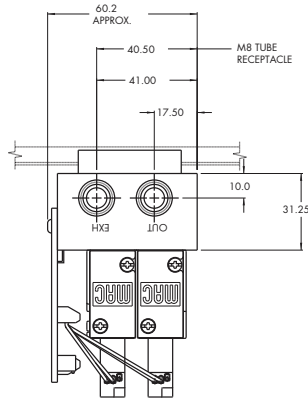
Supply voltage :	20.4 to 26.4 VDC
Supply current :	50 to 350mA
Command signal :	0 to 10V or 4 to 20mA
Command type :	Single-ended or differential
Input impedance :	4.99 kΩ ± 1.0% (voltage) 316 Ω ± 0.1% (current)
Analog Monitor Signal (AMS) :	0 to 10 Volt
Logic Monitor Signal (LMS) :	2 types of signals (see How to order) (sinking)
EMI/RFI protection :	Common mode and high frequency noise reduction for electrical inputs

PNEUMATIC DATA

Inlet pressure* :	120 PSI max (for 10-100 PSI output pres.) 8 BAR max (for 0.66-6.6 BAR output pres.)
Fluids :	Compressed air or inert gases
Lubrication :	Not required. However, if used, a medium aniline point oil is recommended
Output pressure :	0 to 10, 30, 45, 60, 100 PSI 0 to 0.66, 2, 3, 4, 6.6 BAR
Overall accuracy :	± 2.5% full scale
Flow :	Cv 1.3/1300 NI/min
Minimum closed end volume :	50.0 cubic inch - 820 cm ³

* 20 PSI maximum inlet for 10 PSI output pressure - 1.3 BAR maximum inlet for 0.66 BAR output pressure.
Minimum inlet pressure for 400 series internal pilot is 20 PSI/1.3 BAR.

DIMENSIONS





Proportional pressure controller

Port size	Flow [Max] [Cv/NI/min]	Individual mounting	Series
3/8"	2.0/2000	covered analog base mount	

OPERATIONAL BENEFITS

1. Reliable operation, using two MAC 92 Series with balanced pilot.
2. Fast response.
3. Long life.
4. High flow.
5. Low power consumption.
6. Not affected by vibrations.
7. Accuracy : $\pm 2.5\%$ full scale.
8. Analog command signal and output.



PPC5C

PPC34B

LCP35A

PPC45B

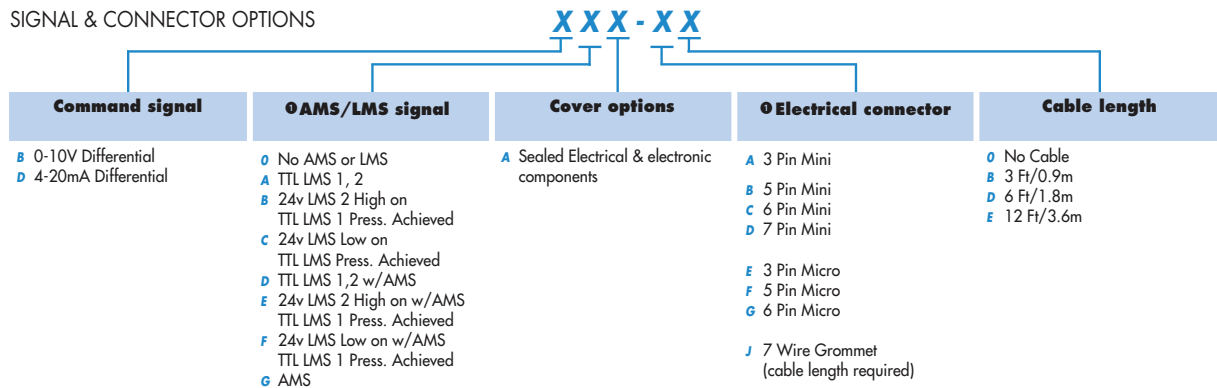
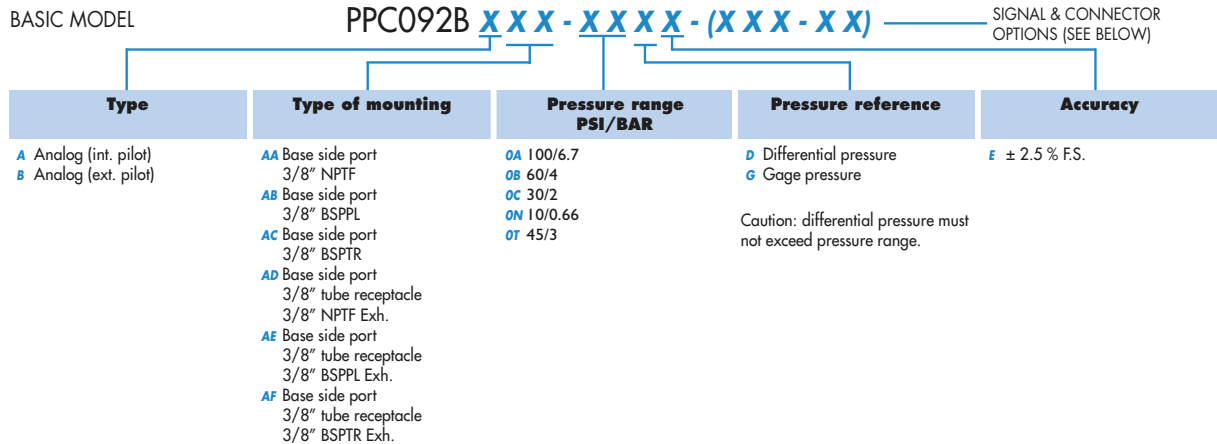
PPC47A

PPC400A

PPC92B

PPC93A

HOW TO ORDER



NOTE

- (Options below are AMS/LMS signals)
- 3 Pin connector for option 0
- 5 Pin connector for option G
- 6 Pin connector for options A, B, C
- 7 Pin connector for options D, E, F
- 7 Wire grommet for all AMS/LMS signals

EXAMPLE : PPC092B AAA - OAGE - BAA - CO

92 Series flow valves, analog, 3/8" side ports (NPTF), 100 psi pressure range, gage reference, 2.5% accuracy, 0-10v differential, TTL LMS 1,2, sealed electrical components, 6 pin mini connector, no cable.

GENERAL DATA

Ambient temperature :	32 to 120°F/0 to 50°C
LED indicators :	Red : power on - Green : pressure achieved
Enclosure :	Aluminium Barstock, sealed
Vibration :	Not affected
Port size :	3/8" (side only)
Connector :	3, 5, 6 or 7 Pin Plug-in or 7 wire grommet
Mounting :	Any plane
Washdown :	Standard

ELECTRICAL DATA

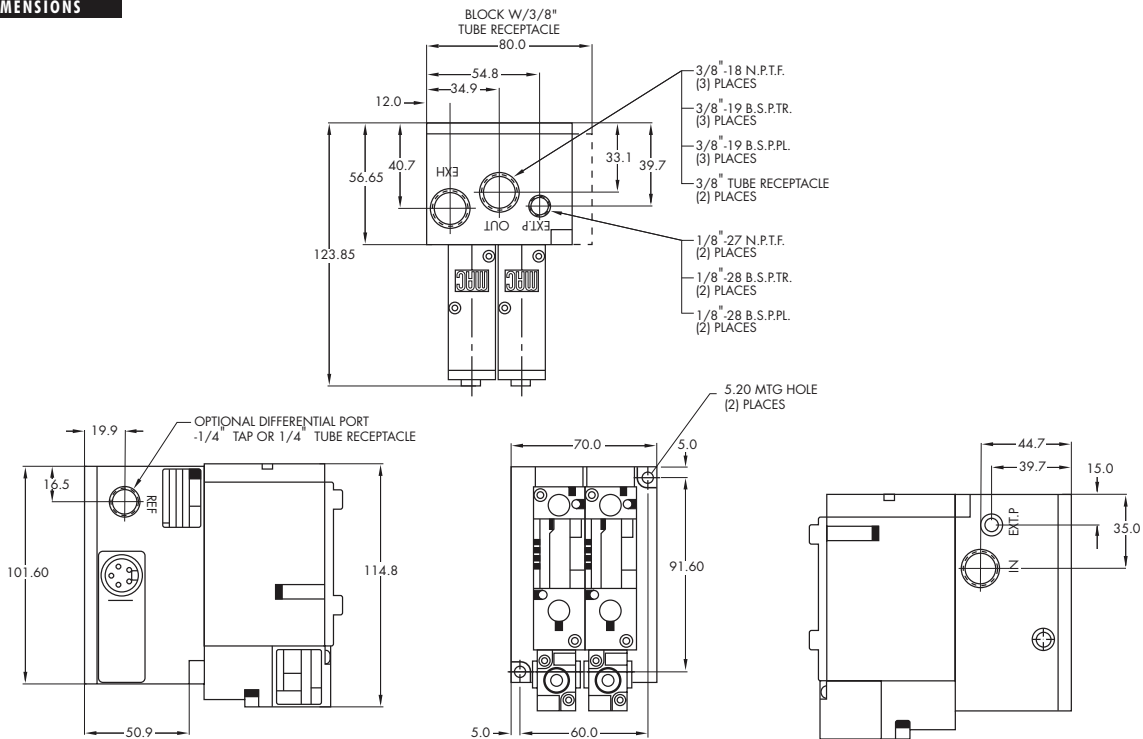
Supply voltage :	20.4 to 26.4 VDC
Supply current :	50 to 350mA
Command signal :	0 to 10V or 4 to 20mA
Command type :	Single-ended or differential
Input impedance :	4.99 kΩ ± 1.0% (voltage) 316 Ω ± 0.1% (current)
Analog Monitor Signal (AMS) :	0 to 10 Volt
Logic Monitor Signal (LMS) :	2 types of signals (see How to order) (sinking)
EMI/RFI protection :	Common mode and high frequency noise reduction for electrical inputs

PNEUMATIC DATA

Inlet pressure* :	120 PSI max (for 10-100 PSI output pres.) 8 BAR max (for 0.66-6.6 BAR output pres.)
Fluids :	Compressed air or inert gases
Lubrication :	Not required. However, if used, a medium aniline point oil is recommended
Output pressure :	0 to 10, 30, 45, 60, 100 PSI 0 to 0.66, 2, 3, 4, 6.6 BAR
Overall accuracy :	± 2.5% full scale
Flow :	Cv 2.0/2000 NI/min
Minimum closed end volume :	80.0 cubic inch - 1310 cm ³

* 20 PSI maximum inlet for 10 PSI output pressure - 1.3 BAR maximum inlet for 0.66 BAR output pressure


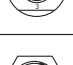


DIMENSIONS



OPTIONS

STANDARD PLUG-IN - ELECTRICAL CONNECTIONS

PPC092B XXX-XXXX-(XXX-XX)- ELECTRICAL OPTIONS

	PART NO.	PIN	DESCRIPTION	MATING CORD
	- (BOA-AX) - (DOA-AX)	3	1 COMMON 2 POWER +20.4 TO +26.4VDC 3 + COMMAND	GREEN BLACK WHITE
	- (BOA-EX) - (DOA-EX)	3 MICRO	1 COMMON 2 POWER +20.4 TO +26.4VDC 3 + COMMAND	GREEN BLACK WHITE
	- (BGA-BX) - (DGA-BX)	5	1 + COMMAND 2 ANALOG MONITOR SIGNAL 3 COMMON 4 - COMMAND 5 POWER +20.4 TO +26.4VDC	WHITE RED GREEN BLUE BLACK
	- (BGA-FX) - (DGA-FX)	5 MICRO	1 + COMMAND 2 ANALOG MONITOR SIGNAL 3 COMMON 4 - COMMAND 5 POWER +20.4 TO +26.4VDC	WHITE RED GREEN BLUE BLACK
	- (BAA-CX) - (DAA-CX)	6	1 LMS1: TTL (high = pressure achieved) 2 - COMMAND 3 POWER +20.4 TO +26.4VDC 4 + COMMAND 5 LMS2: TTL (low = pressure achieved) 6 COMMON	ORANGE BLUE BLACK WHITE BROWN GREEN
	- (BAA-GX) - (DAA-GX)	6 MICRO	1 + COMMAND 2 LMS2: TTL (low = pressure achieved) 3 COMMON 4 LMS1: TTL (high = pressure achieved) 5 POWER +20.4 TO +26.4VDC 6 - COMMAND	WHITE BROWN GREEN ORANGE BLACK BLUE
	- (BBA-CX) - (DBA-CX)	6	1 LMS1: TTL (high = pressure achieved) 2 - COMMAND 3 POWER +20.4 TO +26.4VDC 4 + COMMAND 5 LMS2: 24V (high = pressure achieved) 6 COMMON	ORANGE BLUE BLACK WHITE BROWN GREEN
	- (BBA-GX) - (DBA-GX)	6 MICRO	1 + COMMAND 2 LMS2: 24V (high = pressure achieved) 3 COMMON 4 LMS1: TTL (high = pressure achieved) 5 POWER +20.4 TO +26.4VDC 6 - COMMAND	WHITE BROWN GREEN ORANGE BLACK BLUE
	- (BCA-CX) - (DCA-CX)	6	1 LMS1: TTL (high = pressure achieved) 2 - COMMAND 3 POWER +20.4 TO +26.4VDC 4 + COMMAND 5 LMS2: 24V (low = pressure achieved) 6 COMMON	ORANGE BLUE BLACK WHITE BROWN GREEN
	- (BCA-GX) - (DCA-GX)	6 MICRO	1 + COMMAND 2 LMS2: 24V (low = pressure achieved) 3 COMMON 4 LMS1: TTL (high = pressure achieved) 5 POWER +20.4 TO +26.4VDC 6 - COMMAND	WHITE BROWN GREEN ORANGE BLACK BLUE
	- (BDA-DX) - (DDA-DX)	7	1 LMS2: TTL (low = pressure achieved) 2 POWER +20.4 TO +26.4VDC 3 + COMMAND 4 ANALOG MONITOR SIGNAL 5 LMS1: TTL (high = pressure achieved) 6 - COMMAND 7 COMMON	BROWN BLACK WHITE RED ORANGE BLUE GREEN
	- (BEA-DX) - (DEA-DX)	7	1 LMS2: 24V (high = pressure achieved) 2 POWER +20.4 TO +26.4VDC 3 + COMMAND 4 ANALOG MONITOR SIGNAL 5 LMS1: TTL (high = pressure achieved) 6 - COMMAND 7 COMMON	BROWN BLACK WHITE RED ORANGE BLUE GREEN
	- (BFA-DX) - (DFA-DX)	7	1 LMS2: 24V (low = pressure achieved) 2 POWER +20.4 TO +26.4VDC 3 + COMMAND 4 ANALOG MONITOR SIGNAL 5 LMS1: TTL (high = pressure achieved) 6 - COMMAND 7 COMMON	BROWN BLACK WHITE RED ORANGE BLUE GREEN

PPC5C

PPC34B

LCP35A

PPC45B

PPC47A

PPC400A

PPC92B

PPC93A

OPTIONS

STANDARD WIRE GROMMET - ELECTRICAL CONNECTIONS

PPC092B XXX - XXXX - (XXX - XX) - ELECTRICAL OPTIONS

PART NO.	WIRES	DESCRIPTION	WIRE COLOR
- (BOA-JX) - (DOA-JX)	4	POWER +20.4 TO +26.4VDC COMMON - COMMAND + COMMAND	BLACK GREEN BLUE WHITE * BROWN (NOT USED) * ORANGE (NOT USED) * RED (NOT USED)
- (BGA-JX) - (DGA-JX)	5	POWER +20.4 TO +26.4VDC COMMON - COMMAND + COMMAND ANALOG MONITOR SIGNAL	BLACK GREEN BLUE WHITE RED * BROWN (NOT USED) * ORANGE (NOT USED)
- (BAA-JX) - (DAA-JX)	6	POWER +20.4 TO +26.4VDC COMMON - COMMAND + COMMAND LMS2: TTL (low = pressure achieved) LMS1: TTL (high = pressure achieved)	BLACK GREEN BLUE WHITE BROWN ORANGE * RED (NOT USED)
- (BBA-JX) - (DBA-JX)	6	POWER +20.4 TO +26.4VDC COMMON - COMMAND + COMMAND LMS2: 24V (high = pressure achieved) LMS1: TTL (high = pressure achieved)	BLACK GREEN BLUE WHITE BROWN ORANGE * RED (NOT USED)
- (BCA-JX) - (DCA-JX)	6	POWER +20.4 TO +26.4VDC COMMON - COMMAND + COMMAND LMS2: 24V (low = pressure achieved) LMS1: TTL (high = pressure achieved)	BLACK GREEN BLUE WHITE BROWN ORANGE * RED (NOT USED)
- (BDA-JX) - (DDA-JX)	7	POWER +20.4 TO +26.4VDC COMMON - COMMAND + COMMAND LMS2: TTL (low = pressure achieved) LMS1: TTL (high = pressure achieved) ANALOG MONITOR SIGNAL	BLACK GREEN BLUE WHITE BROWN ORANGE RED
- (BEA-JX) - (DEA-JX)	7	POWER +20.4 TO +26.4VDC COMMON - COMMAND + COMMAND LMS2: 24V (high = pressure achieved) LMS1: TTL (high = pressure achieved) ANALOG MONITOR SIGNAL	BLACK GREEN BLUE WHITE BROWN ORANGE RED
- (BFA-JX) - (DFA-JX)	7	POWER +20.4 TO +26.4VDC COMMON - COMMAND + COMMAND LMS2: 24V (low = pressure achieved) LMS1: TTL (high = pressure achieved) ANALOG MONITOR SIGNAL	BLACK GREEN BLUE WHITE BROWN ORANGE RED

NOTES

- * 1. All units with electrical connector option "J" (listed above) are factory equipped with a 7-wire grommet and wires not used are trimmed off to ends of cable.
- 2. Variable "X" = cable length



Proportional pressure controller

Port size	Flow [Max] [Cv/Nl/min]	Individual mounting	Series
1/2" 3/4"	6.2/6200	covered analog base mount	

OPERATIONAL BENEFITS

1. Reliable operation, using two MAC 93 Series with balanced pilot.
2. Fast response.
3. Long life.
4. High flow.
5. Low power consumption.
6. Not affected by vibrations.
7. Accuracy : $\pm 2.5\%$ full scale.
8. Analog command signal and output.



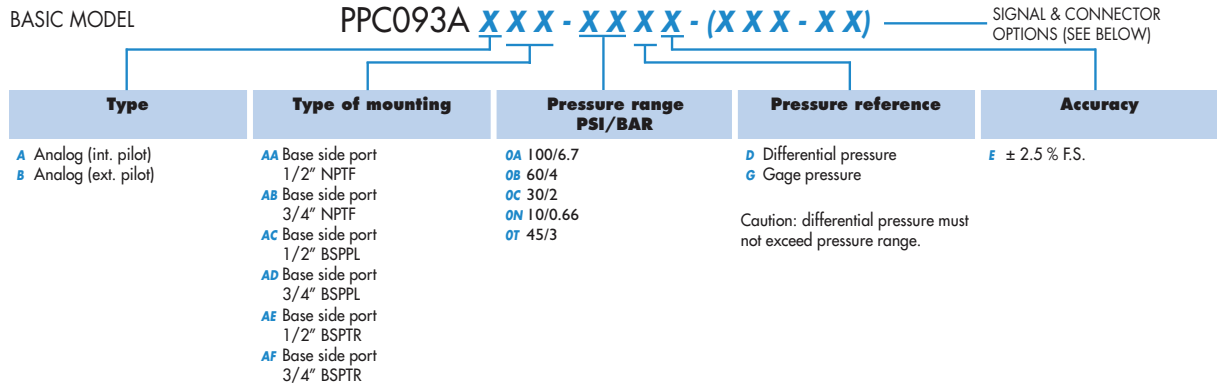
PPC5C

PPC34B

LCP35A

PPC45B

HOW TO ORDER

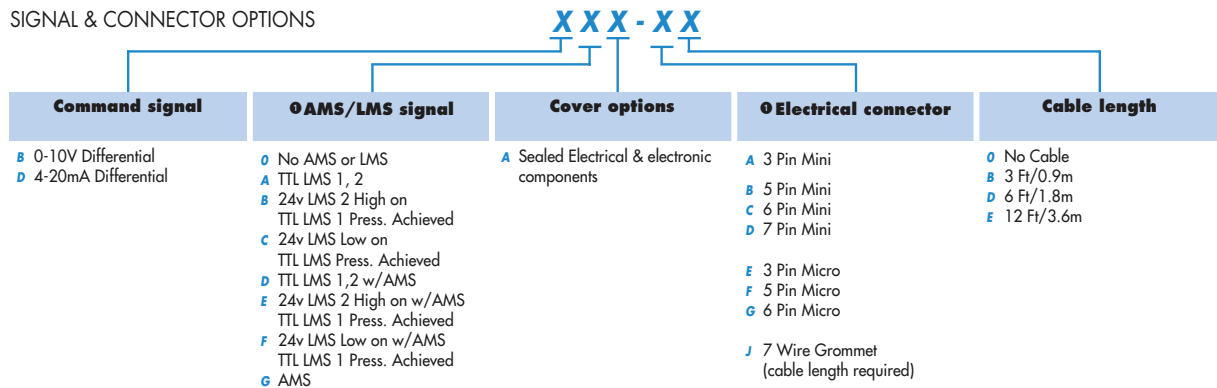


PPC47A

PPC400A

PPC92B

PPC93A



NOTE

- (Options below are AMS/LMS signals)
- 3 Pin connector for option 0
- 5 Pin connector for option G
- 6 Pin connector for options A, B, C
- 7 Pin connector for options D, E, F
- 7 Wire grommet for all AMS/LMS signals

EXAMPLE : PPC093A **AAB - OAGE - BAA - CO**

93 Series flow valves, analog, internal pilot, 3/4" side ports (NPTF), 100 psi pressure range, gage reference, 2.5% accuracy, 0-10v differential, TTL LMS 1,2, sealed electrical components, 6 pin mini connector, no cable.

GENERAL DATA

Ambient temperature :	32 to 120°F/0 to 50°C
LED indicators :	Red : power on - Green : pressure achieved
Enclosure :	Aluminium Barstock, sealed
Vibration :	Not affected
Port size :	1/2" or 3/4" (side only)
Connector :	3, 5, 6 or 7 Pin Plug-in or 7 wire grommet
Mounting :	Any plane
Washdown :	Standard

ELECTRICAL DATA

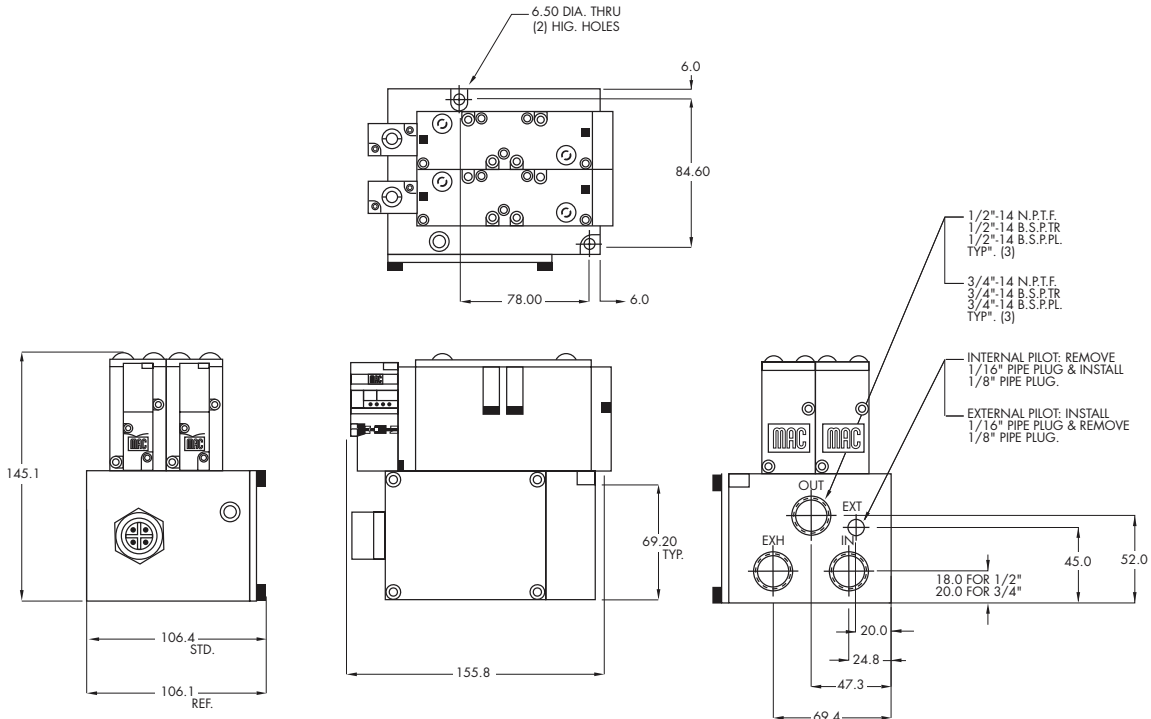
Supply voltage :	20.4 to 26.4 VDC
Supply current :	50 to 275mA - 50 to 350mA
Command signal :	0 to 10V or 4 to 20mA
Command type :	Single-ended or differential
Input impedance :	4.99 kΩ ± 1.0% (voltage) 316 Ω ± 0.1% (current)
Analog Monitor Signal (AMS) :	0 to 10 Volt
Logic Monitor Signal (LMS) :	2 types of signals (see How to order) (sinking)
EMI/RFI protection :	Common mode and high frequency noise reduction for electrical inputs

PNEUMATIC DATA

Inlet pressure* :	120 PSI max (for 10-100 PSI output pres.) 8 BAR max (for 0.66-6.6 BAR output pres.)
Fluids :	Compressed air or inert gases
Lubrication :	Not required. However, if used, a medium aniline point oil is recommended
Output pressure :	0, 10, 30, 45, 60, 100 PSI 0, 0.66, 2, 3, 4, 6.7 BAR
Overall accuracy :	± 2.5% full scale
Flow :	Cv 6.2/6200 NI/min
Minimum closed end volume :	100.0 cubic inch - 1640 cm ³

* 20 PSI maximum inlet for 10 PSI output pressure - 1.3 BAR maximum inlet for 0.66 BAR output pressure



DIMENSIONS



OPTIONS

STANDARD PLUG-IN - ELECTRICAL CONNECTIONS

PPC093A XXX-XXXX-(XXX-XX)-

	PART NO.	PIN	DESCRIPTION	MATING CORD
	- (BOA-AX) - (DOA-AX)	3	1 COMMON 2 POWER +20.4 TO +26.4VDC 3 + COMMAND	GREEN BLACK WHITE
	- (BOA-EX) - (DOA-EX)	3 MICRO	1 COMMON 2 POWER +20.4 TO +26.4VDC 3 + COMMAND	GREEN BLACK WHITE
	- (BGA-BX) - (DGA-BX)	5	1 + COMMAND 2 ANALOG MONITOR SIGNAL 3 COMMON 4 - COMMAND 5 POWER +20.4 TO +26.4VDC	WHITE RED GREEN BLUE BLACK
	- (BGA-FX) - (DGA-FX)	5 MICRO	1 + COMMAND 2 ANALOG MONITOR SIGNAL 3 COMMON 4 - COMMAND 5 POWER +20.4 TO +26.4VDC	WHITE RED GREEN BLUE BLACK
	- (BAA-CX) - (DAA-CX)	6	1 LMS1: TTL (high = pressure achieved) 2 - COMMAND 3 POWER +20.4 TO +26.4VDC 4 + COMMAND 5 LMS2: TTL (low = pressure achieved) 6 COMMON	ORANGE BLUE BLACK WHITE BROWN GREEN
	- (BAA-GX) - (DAA-GX)	6 MICRO	1 + COMMAND 2 LMS2: TTL (low = pressure achieved) 3 COMMON 4 LMS1: TTL (high = pressure achieved) 5 POWER +20.4 TO +26.4VDC 6 - COMMAND	WHITE BROWN GREEN ORANGE BLACK BLUE
	- (BBA-CX) - (DBA-CX)	6	1 LMS1: TTL (high = pressure achieved) 2 - COMMAND 3 POWER +20.4 TO +26.4VDC 4 + COMMAND 5 LMS2: 24V (high = pressure achieved) 6 COMMON	ORANGE BLUE BLACK WHITE BROWN GREEN
	- (BBA-GX) - (DBA-GX)	6 MICRO	1 + COMMAND 2 LMS2: 24V (high = pressure achieved) 3 COMMON 4 LMS1: TTL (high = pressure achieved) 5 POWER +20.4 TO +26.4VDC 6 - COMMAND	WHITE BROWN GREEN ORANGE BLACK BLUE
	- (BCA-CX) - (DCA-CX)	6	1 LMS1: TTL (high = pressure achieved) 2 - COMMAND 3 POWER +20.4 TO +26.4VDC 4 + COMMAND 5 LMS2: 24V (low = pressure achieved) 6 COMMON	ORANGE BLUE BLACK WHITE BROWN GREEN
	- (BCA-GX) - (DCA-GX)	6 MICRO	1 + COMMAND 2 LMS2: 24V (low = pressure achieved) 3 COMMON 4 LMS1: TTL (high = pressure achieved) 5 POWER +20.4 TO +26.4VDC 6 - COMMAND	WHITE BROWN GREEN ORANGE BLACK BLUE
	- (BDA-DX) - (DDA-DX)	7	1 LMS2: TTL (low = pressure achieved) 2 POWER +20.4 TO +26.4VDC 3 + COMMAND 4 ANALOG MONITOR SIGNAL 5 LMS1: TTL (high = pressure achieved) 6 - COMMAND 7 COMMON	BROWN BLACK WHITE RED ORANGE BLUE GREEN
	- (BEA-DX) - (DEA-DX)	7	1 LMS2: 24V (high = pressure achieved) 2 POWER +20.4 TO +26.4VDC 3 + COMMAND 4 ANALOG MONITOR SIGNAL 5 LMS1: TTL (high = pressure achieved) 6 - COMMAND 7 COMMON	BROWN BLACK WHITE RED ORANGE BLUE GREEN
	- (BFA-DX) - (DFA-DX)	7	1 LMS2: 24V (low = pressure achieved) 2 POWER +20.4 TO +26.4VDC 3 + COMMAND 4 ANALOG MONITOR SIGNAL 5 LMS1: TTL (high = pressure achieved) 6 - COMMAND 7 COMMON	BROWN BLACK WHITE RED ORANGE BLUE GREEN

PPC5C

PPC34B

LCP35A

PPC45B

PPC47A

PPC400A

PPC92B

PPC93A

OPTIONS

STANDARD WIRE GROMMET - ELECTRICAL CONNECTIONS

PPC093A **XXX - XXXX - (XXX - XX)** - ELECTRICAL OPTIONS

PART NO.	WIRES	DESCRIPTION	WIRE COLOR
- (BOA-JX) - (DOA-JX)	4	POWER +20.4 TO +26.4VDC COMMON - COMMAND + COMMAND	BLACK GREEN BLUE WHITE * BROWN (NOT USED) * ORANGE (NOT USED) * RED (NOT USED)
- (BGA-JX) - (DGA-JX)	5	POWER +20.4 TO +26.4VDC COMMON - COMMAND + COMMAND ANALOG MONITOR SIGNAL	BLACK GREEN BLUE WHITE RED * BROWN (NOT USED) * ORANGE (NOT USED)
- (BAA-JX) - (DAA-JX)	6	POWER +20.4 TO +26.4VDC COMMON - COMMAND + COMMAND LMS2: TTL (low = pressure achieved) LMS1: TTL (high = pressure achieved)	BLACK GREEN BLUE WHITE BROWN ORANGE * RED (NOT USED)
- (BBA-JX) - (DBA-JX)	6	POWER +20.4 TO +26.4VDC COMMON - COMMAND + COMMAND LMS2: 24V (high = pressure achieved) LMS1: TTL (high = pressure achieved)	BLACK GREEN BLUE WHITE BROWN ORANGE * RED (NOT USED)
- (BCA-JX) - (DCA-JX)	6	POWER +20.4 TO +26.4VDC COMMON - COMMAND + COMMAND LMS2: 24V (low = pressure achieved) LMS1: TTL (high = pressure achieved)	BLACK GREEN BLUE WHITE BROWN ORANGE * RED (NOT USED)
- (BDA-JX) - (DDA-JX)	7	POWER +20.4 TO +26.4VDC COMMON - COMMAND + COMMAND LMS2: TTL (low = pressure achieved) LMS1: TTL (high = pressure achieved) ANALOG MONITOR SIGNAL	BLACK GREEN BLUE WHITE BROWN ORANGE RED
- (BEA-JX) - (DEA-JX)	7	POWER +20.4 TO +26.4VDC COMMON - COMMAND + COMMAND LMS2: 24V (high = pressure achieved) LMS1: TTL (high = pressure achieved) ANALOG MONITOR SIGNAL	BLACK GREEN BLUE WHITE BROWN ORANGE RED
- (BFA-JX) - (DFA-JX)	7	POWER +20.4 TO +26.4VDC COMMON - COMMAND + COMMAND LMS2: 24V (low = pressure achieved) LMS1: TTL (high = pressure achieved) ANALOG MONITOR SIGNAL	BLACK GREEN BLUE WHITE BROWN ORANGE RED

NOTES

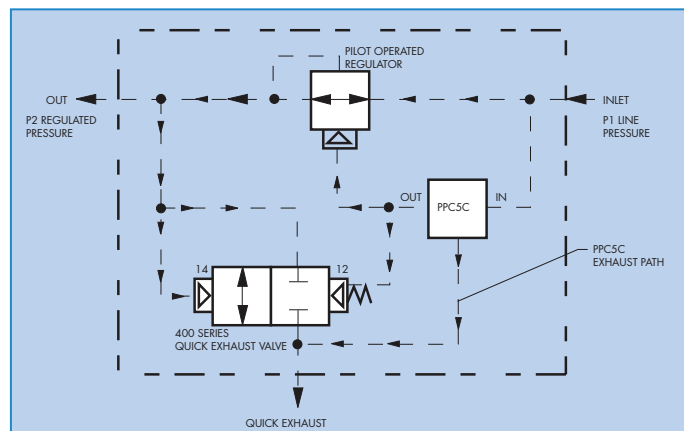
- * 1. All units with electrical connector option "J" (listed above) are factory equipped with a 7-wire grommet and wires not used are trimmed off to ends of cable.
- 2. Variable "X" = cable length

Section 2 Proportional Quick Exhaust

OPERATION OF THE PQE

1. The pilot operated regulator and the PPC5C are both fed from a common inlet.
2. The "out" port of the PPC5C sends pressure to the pilot port of the pilot operated regulator and to the "12" end of the 400 Series Quick Exhaust Valve. The secondary pressure of the pilot operated regulator is sent to the output port of the block and it is also sent to the "14" end and inlet of the 400 Series Quick Exhaust Valve.
3. The outlet pressure of the PPC5C along with the memory spring in the 400 Series valve will keep the valve in a closed state as the unit increases pressure.
4. To reduce pressure, drop the PPC5C's signal. This will lower the pressure on the "12" end of the 400 Series valve. The "14" end of the 400 Series valve now has higher pressure causing a snap-action shifting of the 400 Series valve which will quickly exhaust the downstream pressure to the new selected pressure.

Note: Below 20 psi, the P.Q.E. has reduced exhausting capabilities due to the memory spring in the 400 Series Quick Exhaust Valve and modifications to the pilot operated regulator.





Proportional quick exhaust

Port size	Flow (Max) C _v / NI/min	Individual mounting		Series
		analog	digital	
1/2" - 3/4"	6.3/6300	P. 69	P. 71	6500
1/4" - 3/8"	1.3/1300	P. 73	P. 75	92

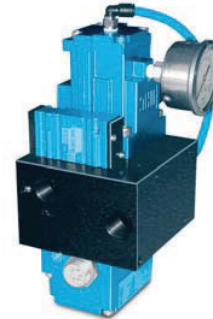


Proportional quick exhaust

Port size	Flow [Max] [Cv/NI/min]	Individual mounting	Series
1/2" - 3/4"	6.3/6300	analog	6500

OPERATIONAL BENEFITS

1. Accurate pressure control.
2. Fast response.
3. High flow.
4. Quick exhaust function.
5. Unaffected by change in line pressure.
6. Long life.
7. Designed to meet Nema 4 specifications.
8. Analog control.
9. Analog or TTL feedback.
10. Closed loop system.

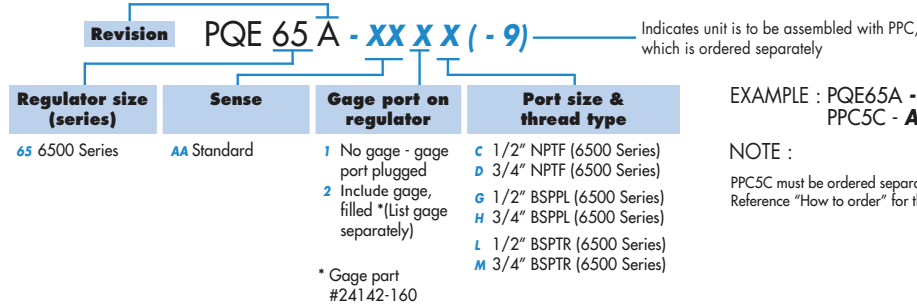


6500

92

HOW TO ORDER

PROPORTIONAL QUICK EXHAUST

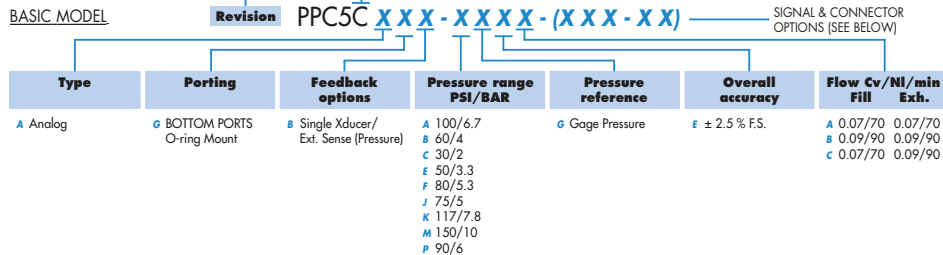


EXAMPLE : PQE65A - AA1C - 9
PPC5C - AGB - AGEA - BBB - C0 - 9

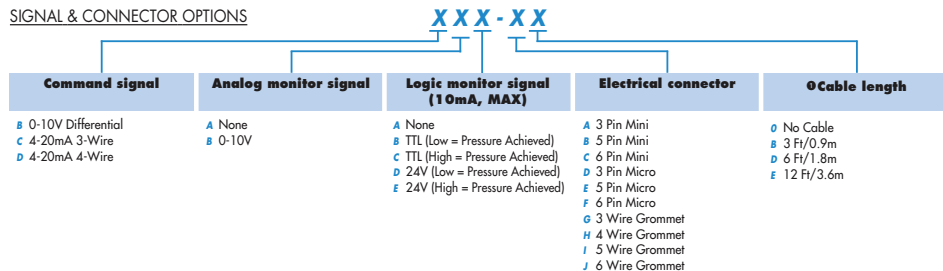
NOTE :
PPC5C must be ordered separately.
Reference "How to order" for the analog PPC5C.

PPC5C SERIES

BASIC MODEL



SIGNAL & CONNECTOR OPTIONS



IMPORTANT ! READ NOTES BEFORE ORDERING

① For options "0" (no cable), choose electrical connector options "A" through "F" only.

PPC TYPE

Analog, single transducer external sense, bottom O-ring mount

ELECTRICAL DATA

Reference PPC5C specifications

PHYSICAL DATA

Connector :	Reference PPC5C specifications
Enclosure :	Aluminum, sealed
Mounting :	Any plane
Ambient temperature range :	0 to 50°C (32°F to 120°F)

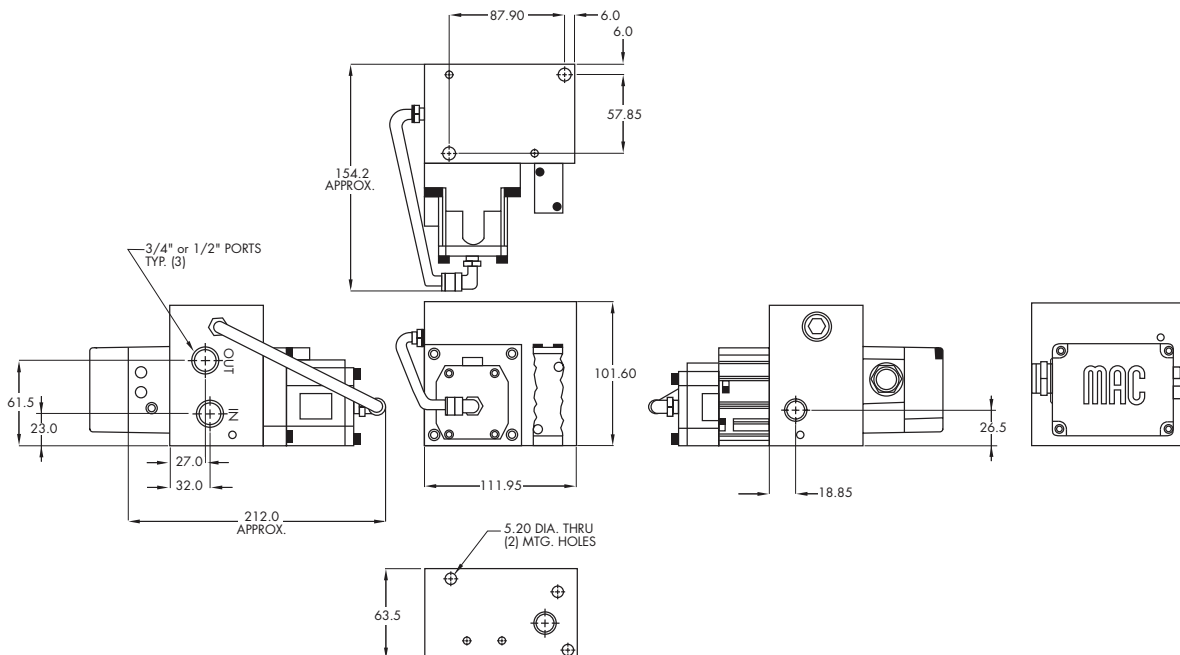
PNEUMATIC DATA

Inlet pressure :	120 PSI max	
Fluids :	Air or inert gases	
Lubrication :	Not required. However, if used, a medium aniline point oil is recommended	
Filtration :	40 micron	
*Output pressure :	20 to 100 PSI	
Overall accuracy :	2.5% full scale	
All ports :	1/2, 3/4, NPTF, BSPPL, BSPTR	
Flows :		
Output flow :	1/2" ports: Cv 5.3	3/4" ports: Cv 6.3
Exhaust flow :	1/2" ports: Cv 1.5	3/4" ports: Cv 1.5
**Output volume requirements :	Port size	Output volume at end of output pipe
		Minimum length of output pipe
	1/2"	100 Cu. in. and larger
		50 to 99 Cu. in.
	3/4"	100 Cu. in. and larger
		50 to 99 Cu. in.
		60"
		90"

* The quick exhaust portion of the PQE was not designed to be used at pressures below 20 PSIG. The PQE will exhaust below 20 PSIG but at a very reduced rate. Also, the minimum pressure change (from higher to lower) that will allow the quick exhaust to function is 3 PSIG.

** This is the minimum output volume and output piping required to keep the unit stable. Configurations below these minimums should be tested on a case by case basis.

DIMENSIONS



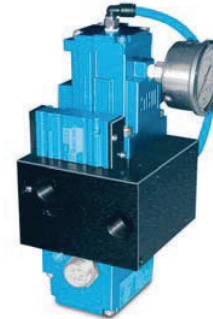


Proportional quick exhaust

Port size	Flow [Max] [Cv/NI/min]	Individual mounting	Series
1/2" - 3/4"	6.3/6300	digital	6500

OPERATIONAL BENEFITS

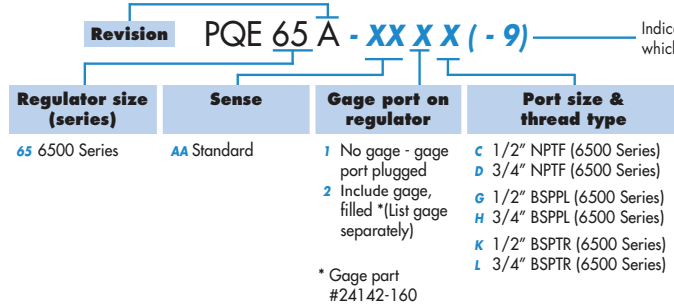
1. Accurate pressure control.
2. Fast response.
3. High flow.
4. Quick exhaust function.
5. Unaffected by change in line pressure.
6. Long life.
7. Designed to meet Nema 4 specifications.
8. Digital control.
9. Analog or TTL feedback.
10. Closed loop system.



6500
92

HOW TO ORDER

PROPORTIONAL QUICK EXHAUST



Indicates unit is to be assembled with PPC, which is ordered separately

EXAMPLE : PQE65A - AA1C - 9
PPC5C DGB- AGEA - AAA - 9

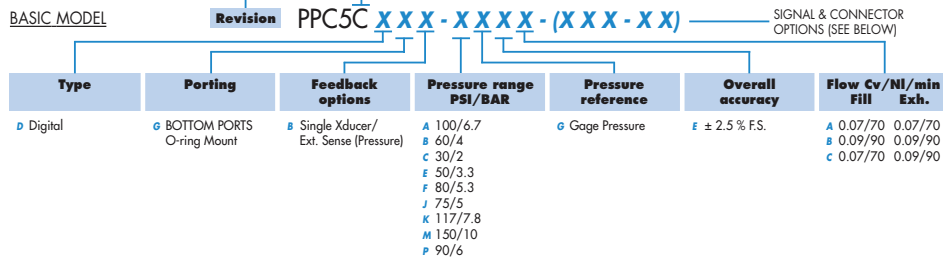
6500 Series style regulator, standard sense, no gage, 1/2" NPTF ports. Digital PPC, bottom o-ring mount, external sense, 100 psi range, gage reference, 2.5% accuracy, with .07 flow (fill and exhaust), 4 bit sinking/positive command signal, no analog or logic signal, 6-pin mini connector, no cable.

NOTE :

PPC5C must be ordered separately. Reference "How to order" for the digital PPC5C.

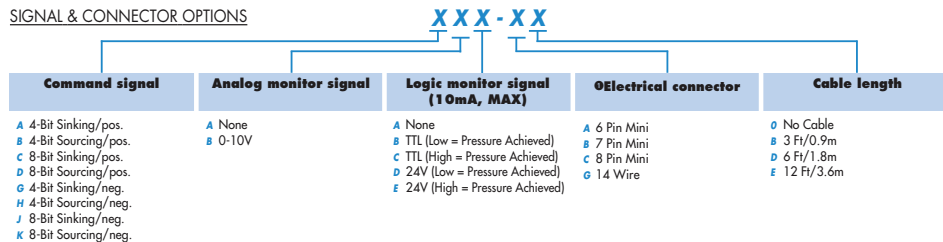
PPC5C SERIES

BASIC MODEL



SIGNAL & CONNECTOR OPTIONS (SEE BELOW)

SIGNAL & CONNECTOR OPTIONS



IMPORTANT ! READ NOTES BEFORE ORDERING

- All connector options are available with the 4-Bit command signal. Options "A", "B" and "C" can be supplied with or without a cable. Option "G" requires a cable. Select length from table. The 4-bit command signal without the analog monitor signal (AMS) or logic monitor signal (LMS) requires a 6 Pin connector. For the AMS or LMS options, add one pin for each. The 8-bit command signal can only use option "G". Select cable length from table.

PPC TYPE

Digital, single transducer external sense, bottom O-ring mount

ELECTRICAL DATA

Reference PPC5C specifications

PHYSICAL DATA

Connector :	Reference PPC5C specifications
Enclosure :	Aluminum, sealed
Mounting :	Any plane
Ambient temperature range :	0 to 50°C (32°F to 120°F)

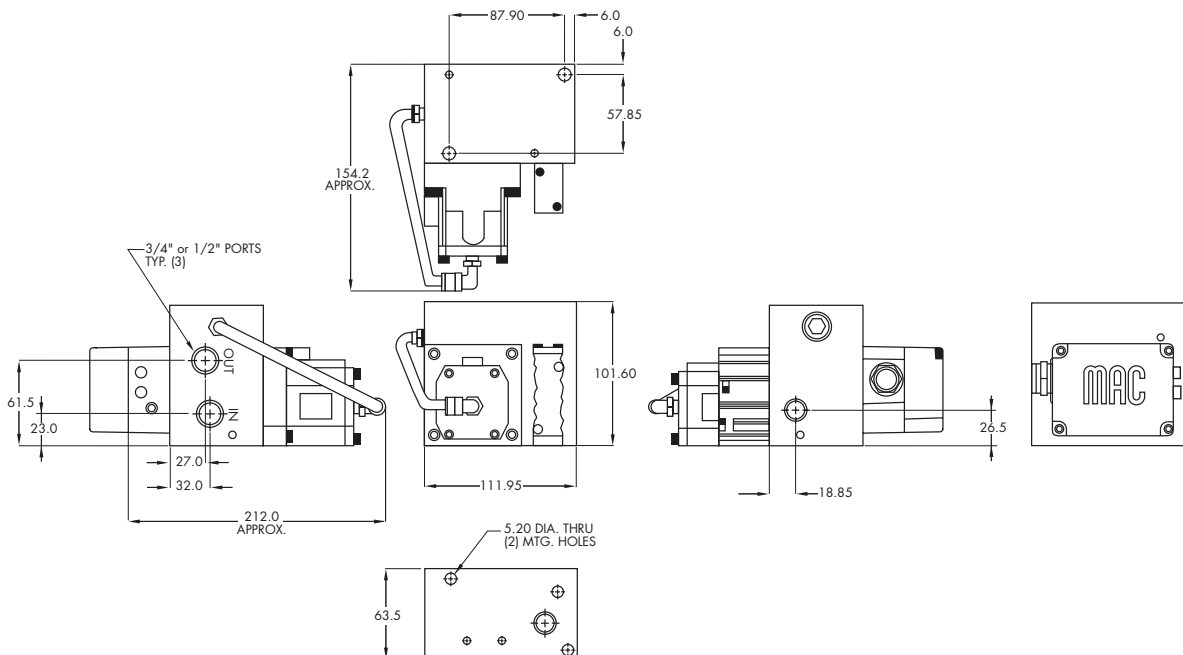
PNEUMATIC DATA

Inlet pressure :	120 PSI max	
Fluids :	Air or inert gases	
Lubrication :	Not required. However, if used, a medium aniline point oil is recommended	
Filtration :	40 micron	
*Output pressure :	20 to 100 PSI	
Overall accuracy :	2.5% full scale	
All ports :	1/2, 3/4, NPTF, BSPPL, BSPTR	
Flows :		
Output flow :	1/2" ports: Cv 5.3	3/4" ports: Cv 6.3
Exhaust flow :	1/2" ports: Cv 1.5	3/4" ports: Cv 1.5
**Output volume requirements :	Port size	Output volume at end of output pipe
		Minimum length of output pipe
	1/2"	100 Cu. in. and larger
		50 to 99 Cu. in.
	3/4"	100 Cu. in. and larger
		50 to 99 Cu. in.

* The quick exhaust portion of the PQE was not designed to be used at pressures below 20 PSIG. The PQE will exhaust below 20 PSIG but at a very reduced rate. Also, the minimum pressure change (from higher to lower) that will allow the quick exhaust to function is 3 PSIG.

** This is the minimum output volume and output piping required to keep the unit stable. Configurations below these minimums should be tested on a case by case basis.

DIMENSIONS





Proportional quick exhaust

Port size	Flow [Max] [Cv/NI/min]	Individual mounting	Series
1/4" - 3/8"	1.3/1300	analog	

OPERATIONAL BENEFITS

1. Accurate pressure control.
2. Fast response.
3. High flow.
4. Quick exhaust function.
5. Unaffected by change in line pressure.
6. Long life.
7. Designed to meet Nema 4 specifications.
8. Analog control.
9. Analog or TTL feedback.
10. Closed loop system.

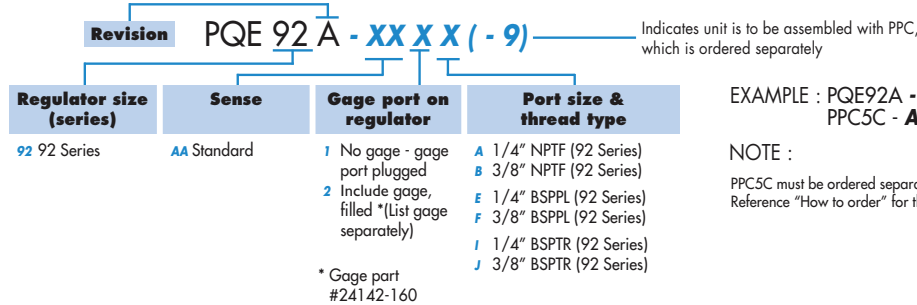


6500

92

HOW TO ORDER

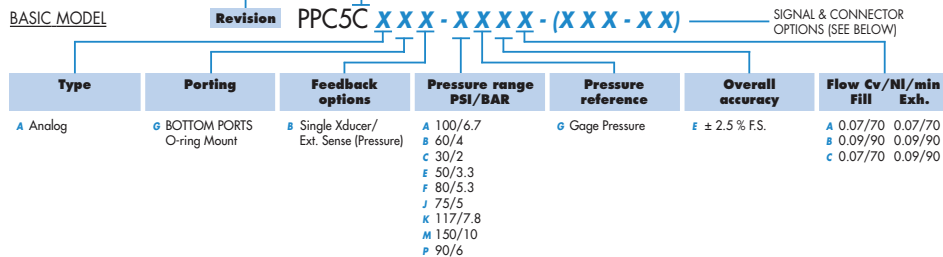
PROPORTIONAL QUICK EXHAUST



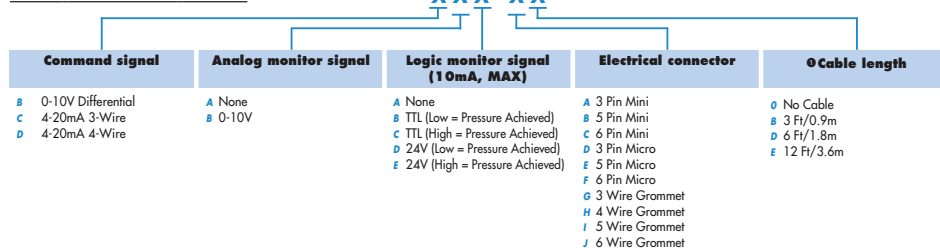
EXAMPLE : PQE92A - AA1B - 9
PPC5C - AGB- AGEA - BBB - C0 - 9

NOTE :
PPC5C must be ordered separately.
Reference "How to order" for the analog PPC5C.

PPC5C SERIES



SIGNAL & CONNECTOR OPTIONS



IMPORTANT ! READ NOTES BEFORE ORDERING

For options "0" (no cable), choose electrical connector options "A" through "F" only.

PPC TYPE

Analog, single transducer external sense, bottom O-ring mount

ELECTRICAL DATA

Reference PPC5C specifications

PHYSICAL DATA

Connector :	Reference PPC5C specifications
Enclosure :	Aluminum, sealed
Mounting :	Any plane
Ambient temperature range :	0 to 50°C (32°F to 120°F)

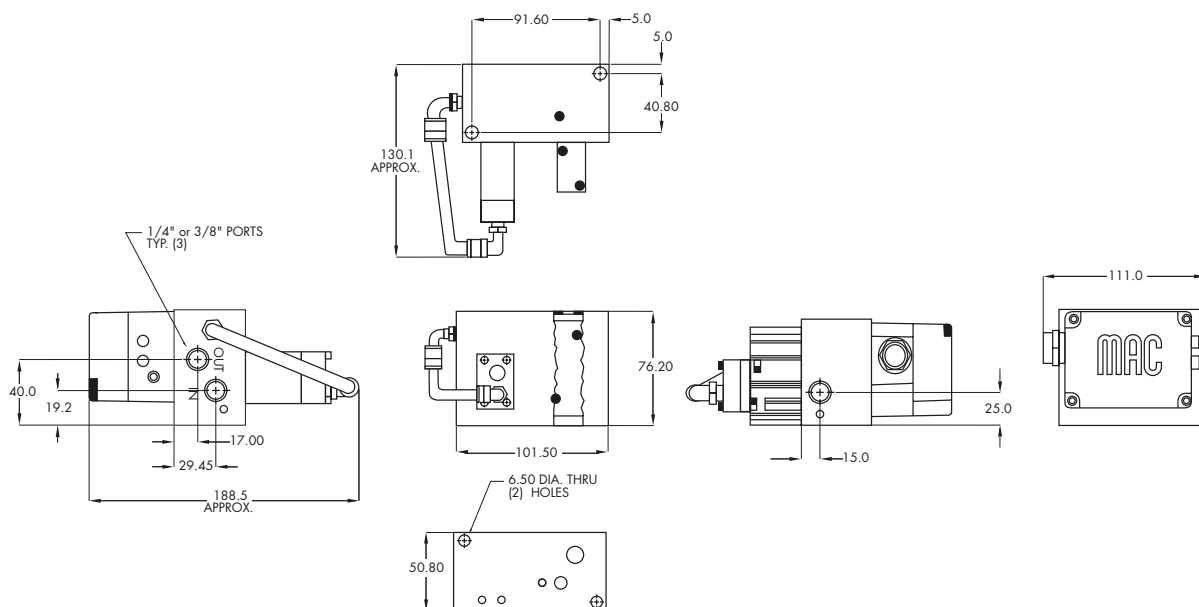
PNEUMATIC DATA

Inlet pressure :	120 PSI max	
Fluids :	Air or inert gases	
Lubrication :	Not required. However, if used, a medium aniline point oil is recommended	
Filtration :	40 micron	
*Output pressure :	20 to 100 PSI	
Overall accuracy :	2.5% full scale	
All ports :	1/4, 3/8, NPTF, BSPPL, BSPTR	
Flows :		
Output flow :	1/4" ports: Cv 0.94	3/8" ports: Cv 1.2
Exhaust flow :	1/4" ports: Cv 1.3	3/8" ports: Cv 1.3
**Output volume requirements :	Port size	Output volume at end of output pipe
	1/4"	100 Cu. in. and larger
		50 to 99 Cu. in.
	3/8"	100 Cu. in. and larger
		50 to 99 Cu. in.
		Minimum length of output pipe
		12"
		50"
		24"
		50"

* The quick exhaust portion of the PQE was not designed to be used at pressures below 20 PSIG. The PQE will exhaust below 20 PSIG but at a very reduced rate. Also, the minimum pressure change (from higher to lower) that will allow the quick exhaust to function is 3 PSIG.

** This is the minimum output volume and output piping required to keep the unit stable. Configurations below these minimums should be tested on a case by case basis.

DIMENSIONS





Proportional quick exhaust

Port size	Flow [Max] [Cv/NI/min]	Individual mounting	Series
1/4" - 3/8"	1.3/1300	digital	

OPERATIONAL BENEFITS

1. Accurate pressure control.
2. Fast response.
3. High flow.
4. Quick exhaust function.
5. Unaffected by change in line pressure.
6. Long life.
7. Designed to meet Nema 4 specifications.
8. Digital control.
9. Analog or TTL feedback.
10. Closed loop system.

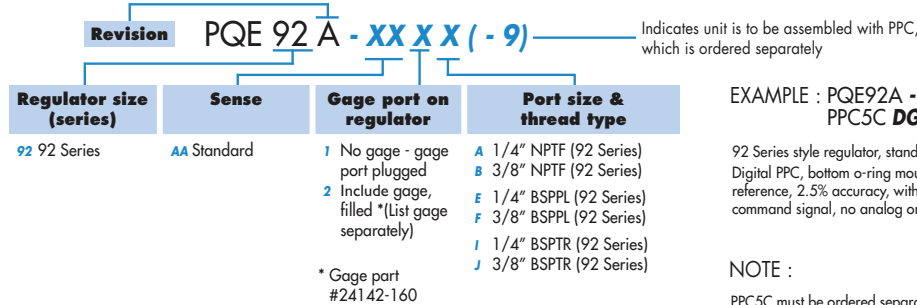


6500

92

HOW TO ORDER

PROPORTIONAL QUICK EXHAUST



EXAMPLE : PQE92A - AA1B - 9
PPC5C DGB- AGEA - AAA - 9

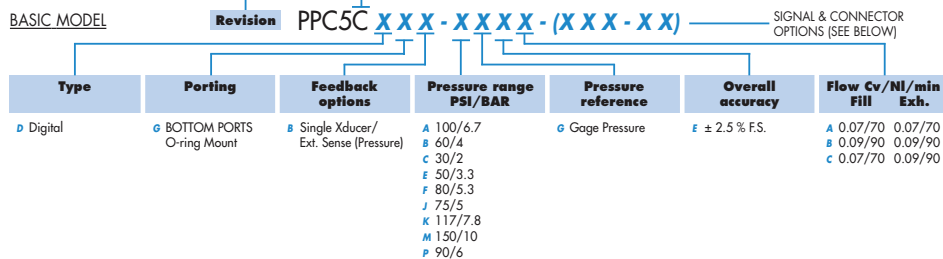
92 Series style regulator, standard sense, no gage, 3/8" NPTF ports. Digital PPC, bottom o-ring mount, external sense, 100 psi range, gage reference, 2.5% accuracy, with .07 flow (fill and exhaust), 4 bit sinking/positive command signal, no analog or logic signal, 6-pin mini connector, no cable.

NOTE :

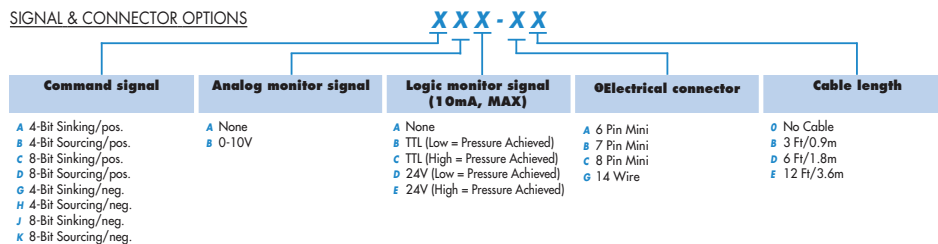
PPC5C must be ordered separately. Reference "How to order" for the digital PPC5C.

PPC5C SERIES

BASIC MODEL



SIGNAL & CONNECTOR OPTIONS



IMPORTANT ! READ NOTES BEFORE ORDERING

- 1 All connector options are available with the 4-Bit command signal. Options "A", "B" and "C" can be supplied with or without a cable. Option "G" requires a cable. Select length from table. The 4-Bit command signal without the analog monitor signal (AMS) or logic monitor signal (LMS) requires a 6 Pin connector. For the AMS or LMS options, add one pin for each. The 8-Bit command signal can only use option "G". Select cable length from table.

PPC TYPE

Digital, single transducer external sense, bottom O-ring mount

ELECTRICAL DATA

Reference PPC5C specifications

PHYSICAL DATA

Connector :	Reference PPC5C specifications
Enclosure :	Aluminum, sealed
Mounting :	Any plane
Ambient temperature range :	0 to 50°C (32°F to 120°F)

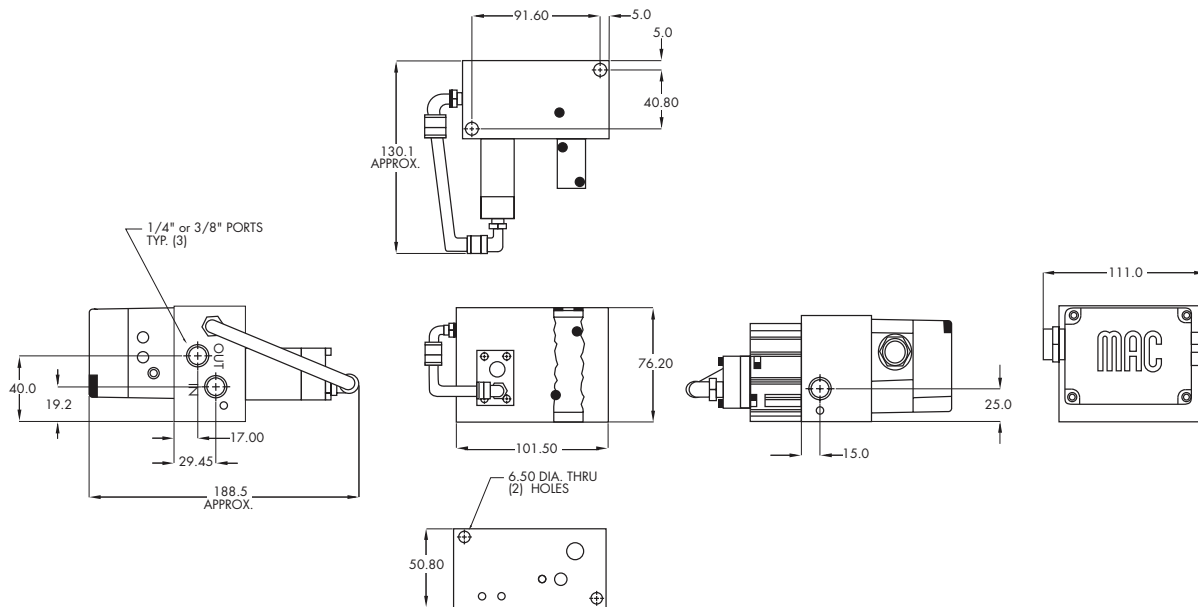
PNEUMATIC DATA

Inlet pressure :	120 PSI max	
Fluids :	Air or inert gases	
Lubrication :	Not required. However, if used, a medium aniline point oil is recommended	
Filtration :	40 micron	
*Output pressure :	20 to 100 PSI	
Overall accuracy :	2.5% full scale	
All ports :	1/4, 3/8, NPTF, BSPP, BSPTR	
Flows :		
Output flow :	1/4" ports: Cv 0.94	3/8" ports: Cv 1.2
Exhaust flow :	1/4" ports: Cv 1.3	3/8" ports: Cv 1.3
**Output volume requirements :	Port size	Output volume at end of output pipe
		Minimum length of output pipe
	1/4"	100 Cu. in. and larger 50 to 99 Cu. in.
		12" 50"
	3/8"	100 Cu. in. and larger 50 to 99 Cu. in.
		24" 50"

* The quick exhaust portion of the PQE was not designed to be used at pressures below 20 PSIG. The PQE will exhaust below 20 PSIG but at a very reduced rate. Also, the minimum pressure change (from higher to lower) that will allow the quick exhaust to function is 3 PSIG.

** This is the minimum output volume and output piping required to keep the unit stable. Configurations below these minimums should be tested on a case by case basis.

DIMENSIONS





Section 3 Pressure Control Systems



Pressure control systems

		Series
	PMPP	MPP
P. 81		PMPP
	P. 85	MPP



Proportional Pressure Control system with analog or digital command signal. Proportional Multi-Pressure Pak® (PMPP)

OPERATIONAL BENEFITS

1. Fast response.
2. Long life.
3. High flow.
4. The use of an analog or 4 bit or 8 bit command signal brings increased accuracy in pressure control.
5. A compact unit saves room and installation costs.
6. The analog and logic (TTL) outputs allow for constant pressure monitoring from the control unit.
7. Infinite or discrete number of pressures available.
8. For 2, 3 or 4 ported weld guns and other applications.
9. Accuracy of $\pm 2.5\%$ of full scale (consult factory for other accuracies).
10. DeviceNet compatible.

PMPP

MPP

COMPONENTS

- The Proportional Multi-Pressure Pak® is made of the following components :
- one proportional pressure controller PPC5C for pressure selection.
 - one (or more) directional valves to be selected as a function of the flow required.
 - one pilot operated regulator for main pressure control.

FIELDS OF APPLICATION

The Proportional Multi-Pressure Pak® is suitable for all applications requiring multiple pressures. The numerous possibilities of flows and pressure ranges makes it easy to find the best appropriate configuration.

This system has proven its abilities in the automotive industry, for the fast and accurate control of spot welding. Many other applications are satisfied, such as pressure selection for any supply network or machinery, force control in a cylinder, tension control on a drum and robot arm mounting.

OPERATION

PROPORTIONAL PRESSURE CONTROLLER PPC5C

This is the pressure selector controlling the entire system. Depending on the command signal (analog or digital), the PPC5C will quickly adjust the outlet pressure to the requested value.

PILOT OPERATED SANDWICH REGULATOR

The outlet port of the PPC5C gives a pressure signal to the sandwich regulator. This will regulate the main pressure as a function of the command signal at a high flow rate.

DIRECTIONAL VALVE(S)

Depending on the application, one or more directional valves are used. For instance : a 4/2 valve for the welding control (with the regulated pressure) and another one (line pressure) for the control of the back-up on the weld gun. Additional valves for tooling can be added.

TECHNICAL DATA

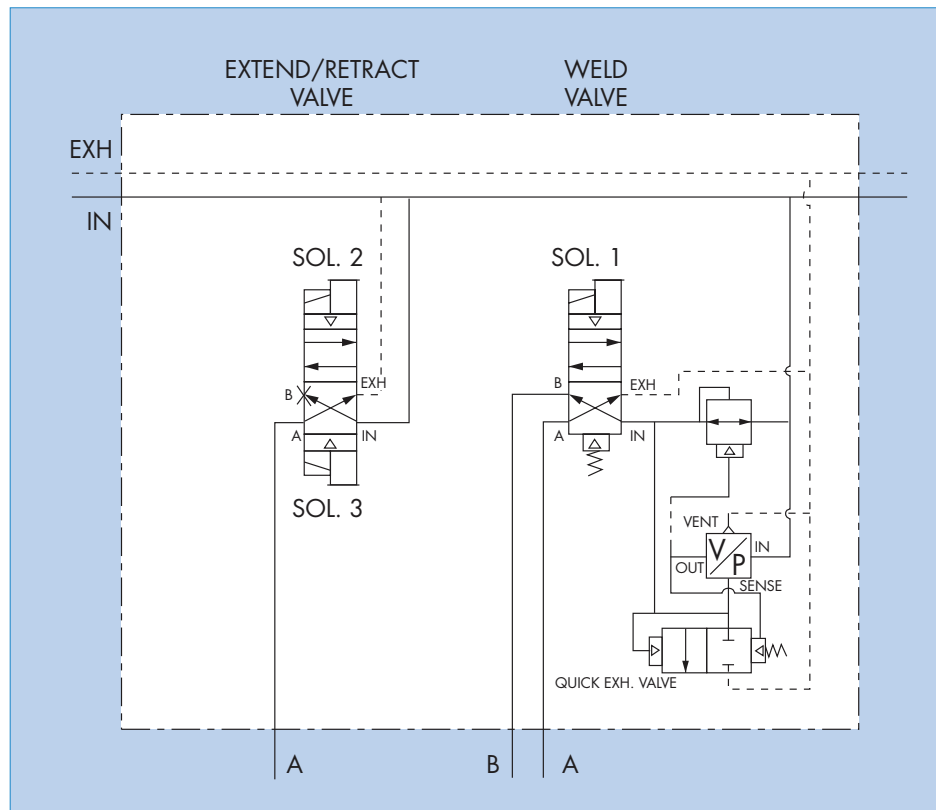
Supply pressure :	2 to 10 bar/30 to 150 PSI
*Output pressure :	Standard : 1.7 to 10 bar, other ranges upon request. 25 to 150 PSI
	* For 82 and ISO 1 - 1.7 to 8 BAR, 25 to 120 PSI

*Series	Port size	Flow
82	1/4" - 3/8"	C _v 0.9 / 900 NI/Min
93	3/8" - 1/2"	C _v 2.4 / 2400 NI/Min
6300	3/8" - 1/2"	C _v 2.1 / 2100 NI/Min
6500	1/2" - 3/4"	C _v 3.5 / 3500 NI/Min
ISO 1	1/4" - 3/8"	C _v 1.1 / 1100 NI/Min
ISO 2	3/8" - 1/2"	C _v 2.1 / 2100 NI/Min
ISO 3	1/2" - 3/4"	C _v 5.0 / 5000 NI/Min

Please consult factory for the selection of best appropriate PMPP.

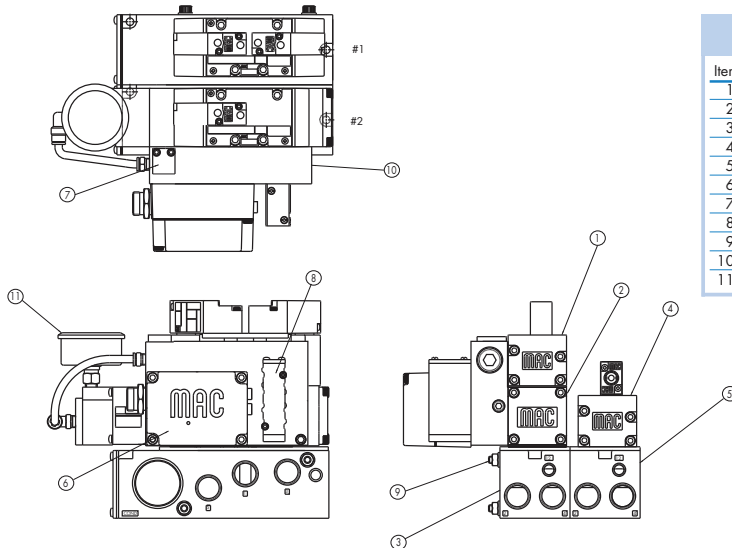
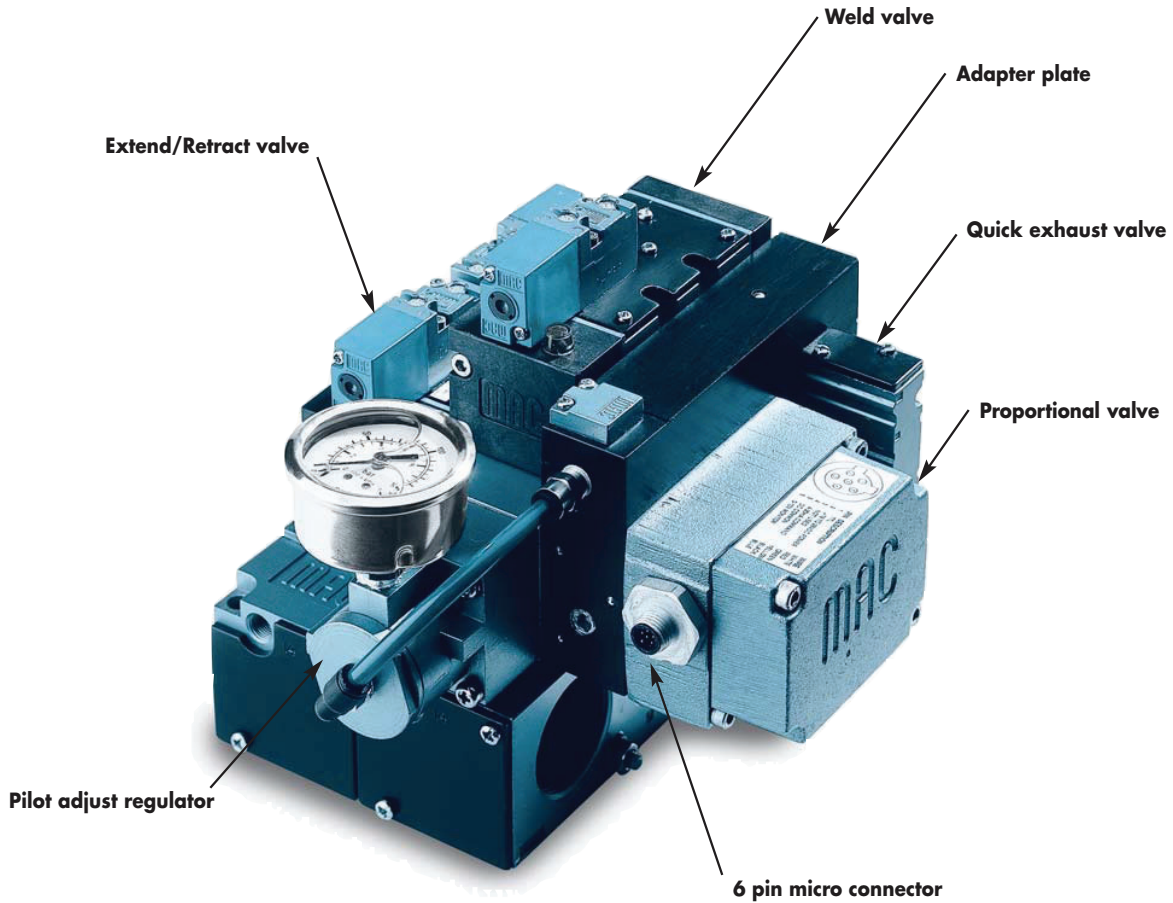
* Other valve series may be available - consult factory.

Example circuit with quick exhaust valve



PMPP

MPP



MAC VALVES, INC. MULTI-PRESSURE PAK		
Item	QTY	Description
1	1	MV-P2A-AADB-DM-DDAP-1DS-9
2	1	PRP2A-DABA-9 MOD. 1367
3	1	MM-P2A-231-A-9 MOD. 3176
4	1	MV-P2A-ABDA-DM-DDAP-1DS-9
5	1	MM-P2A-231-B-9 MOD. 3158
6	1	PPC5A-DGB-PGEA-AAE BO-9 MOD. 1238
7	1	M-35004
8	1	416A-00A-9 MOD. 1368
9	1	N-P2004-03
10	1	N-P2009
11	1	24142-160



Non Proportional Pressure Control system.

Multi-Pressure Pak® (MPP)

OPERATIONAL BENEFITS

1. Fast response.
2. Long life.
3. High flow.
4. The use of a digital command signal brings easy installation and use.
5. A compact and lightweight unit saves room and installation costs.
6. This system is the alternative to proportional valves if more than six pressures or closed loop feedback are not required.
7. The Multi-Pressure Pak® is easy to set up and maintain.
8. For 2, 3 or 4 ported weld guns and other applications.
9. Accuracy of $\pm 2.5\%$ of full scale

PMPP

MPP

DESIGN DESCRIPTION

The MAC Multi-Pressure Pak® is designed for applications requiring multiple pressures which can be selected electrically through low powered AC or DC solenoids. The selected pilot pressure is directed to a pilot operated sandwich pressure regulator. The sandwich regulator amplifies the flow of this pre-selected pressure.

The multiple pressures can be manually preset from 25 to 120 PSI (1.7 to 8 BAR).

The Multi-Pressure Pak® is pre-wired, pre-piped, lightweight and compact.

The optional quick exhaust valve allows for quick close on 3 ported weld guns.

COMPONENTS

A typical Multi-Pressure Pak® is made of the following components :

- one cascading manifold with regulators and solenoid valves for the pressure selection. (up to six (6))
- one (or more) directional valves to be selected as a function of the flow required.
- one air pilot operated pressure regulator for main pressure control.
- one optional quick exhaust valve.

FIELDS OF APPLICATION

The Multi-Pressure Pak® is suitable for all applications requiring up to six different pre-determined pressures.

The numerous possibilities of flows and pressure ranges makes it easy to find the best appropriate configuration.

This system has proven its abilities in the automotive industry, for the fast and accurate control of spot welding. The lightweight and compact size of this assembly makes it ideally suited for robot arm mounting. Many other applications are satisfied, such as pressure selection for any supply network or machinery, force control in a cylinder, ...



TECHNICAL DATA

Min. supply pressure :	25 PSI (1.7 BAR)
Max. supply pressure :	150 PSI (10 BAR)
Pressure output range :	25-120 PSI (1.7 to 8 BAR)
Voltages available AC :	120/60, 110/50
DC :	12 & 24 volt. 1.8 to 12.7 watts
Other AC and DC voltages available :	Consult factory
Air supply :	40 micron filtration
Lubrication :	Not required but if lubrication is used, a medium aniline point oil is recommended

NOTE: Pressures shown are minimum and maximum safe working pressures.

*Series	Port size	Flow
82	1/4" - 3/8"	C _v 0.9 / 900 NI/Min
93	3/8" - 1/2"	C _v 2.4 / 2400 NI/Min
6300	3/8" - 1/2"	C _v 2.1 / 2100 NI/Min
6500	1/2" - 3/4"	C _v 3.5 / 3500 NI/Min
ISO 1	1/4" - 3/8"	C _v 1.1 / 1100 NI/Min
ISO 2	3/8" - 1/2"	C _v 2.1 / 2100 NI/Min
ISO 3	1/2" - 3/4"	C _v 5.0 / 5000 NI/Min

* Other valve series may be available - consult factory.

REQUIREMENTS FOR APPLICATION

First determine the Flow or Cv required for the application and then select the appropriate valve series from the table above.

Refer to the MAC® Catalog for valve designation, voltage options and cylinder port configuration or size.

Determine the number of pressures required by the application.

For welding applications, state if for 2, 3 or 4 ported gun.

Indicate whether any other valves are to be ganged to the Multi-Pressure Pak® (for example a standard 4 way valve to operate a tool changer or tip dresser).

External electrical conduit connections can be supplied (consult factory) for ordering purposes.

MAC® Valves will then provide a MPP (Multi-Pressure Pak®) number to this particular configuration.

OPERATIONAL DESCRIPTION

The Multi-Pressure Pak® consists of:

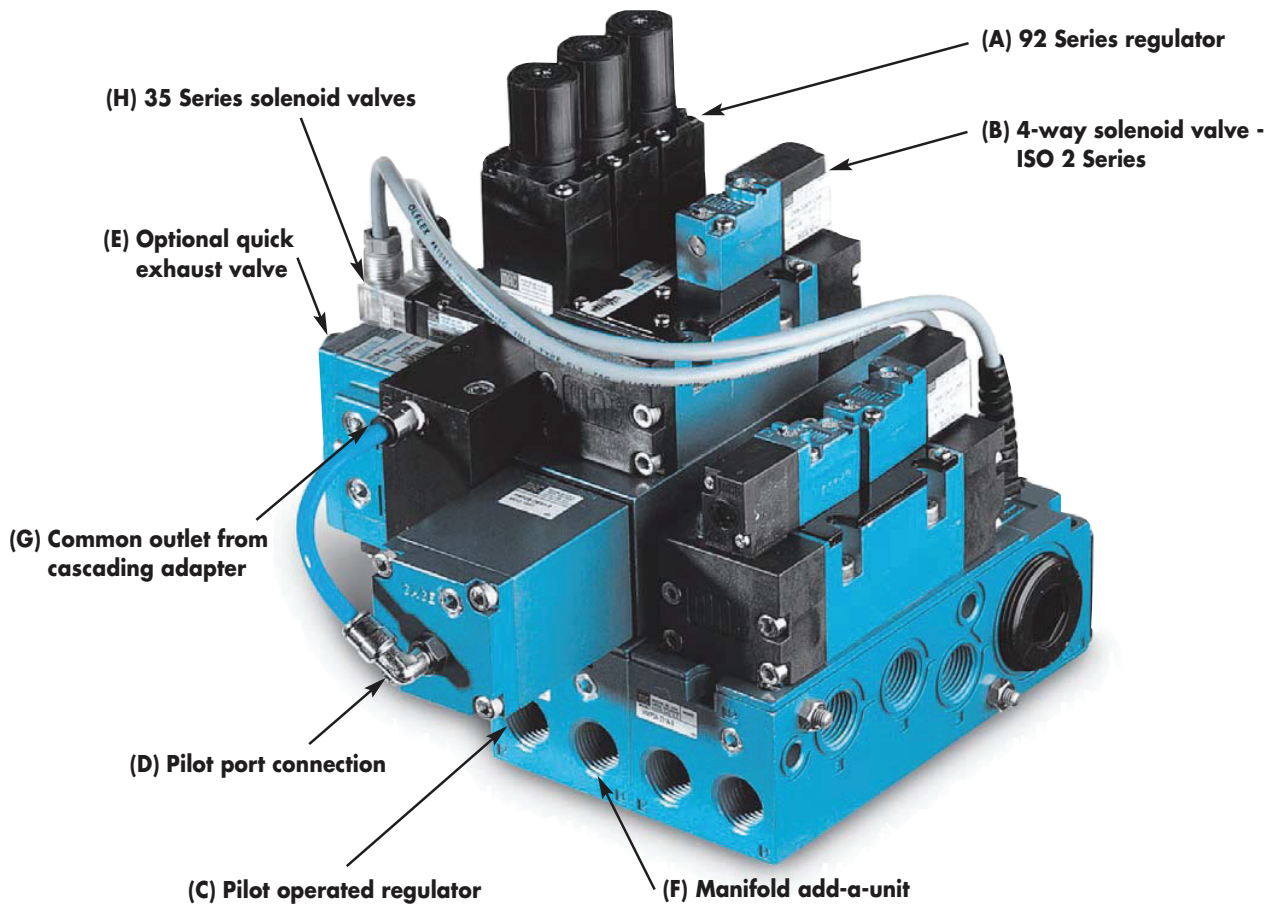
- A 4 way solenoid valve (B) (i.e. ISO 2, 6300, etc...)
- A pilot operated sandwich regulator (C) mounted on a manifold add-a-unit base (F).
- 35 Series, solenoid valves (H), each with its own individual 92 Series regulator (A), are mounted to the side of the cascading manifold adaptor. The adaptor has a common outlet (G) connected to the air pilot port (D) of the sandwich air pilot regulator (C). The inlet pressure to the manifold adaptor is supplied thru the sandwich regulator block.

The number of pressures supplied by this assembly corresponds to the number of 92 Series regulators (A). NOTE: Up to six regulators are possible. The optional quick exhaust valve (E) is available to provide a "quick close" on 3 ported weld guns.

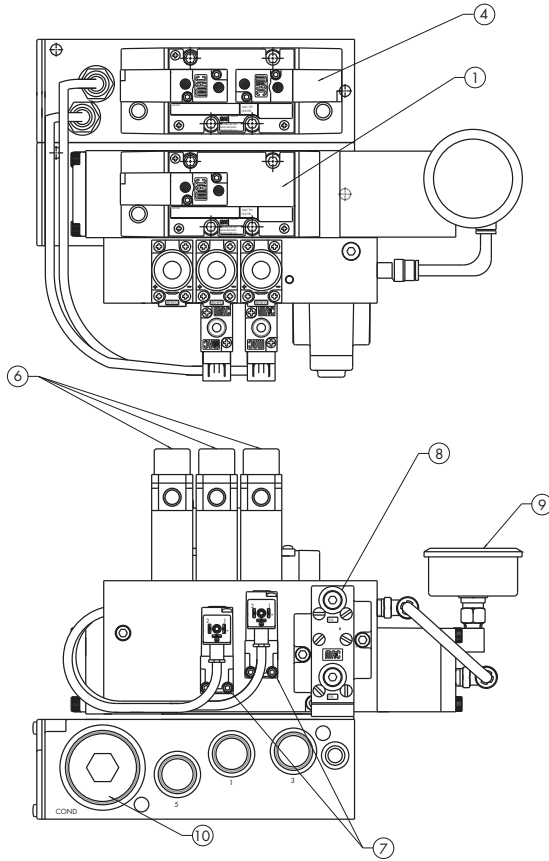
Once the pressure at each individual 92 Series regulator has been manually preset, energizing the corresponding 35 Series solenoid will provide that particular pressure at the common outlet of the manifold. The pre-selected pressure at the common outlet is connected to the air pilot of the sandwich regulator. The sandwich regulator amplifies the flow of this pre-selected pressure either to both cylinder ports of the 4 way valve or to one cylinder port with main line pressure fed through a bypass plate to the other cylinder port.

PMPP

MPP

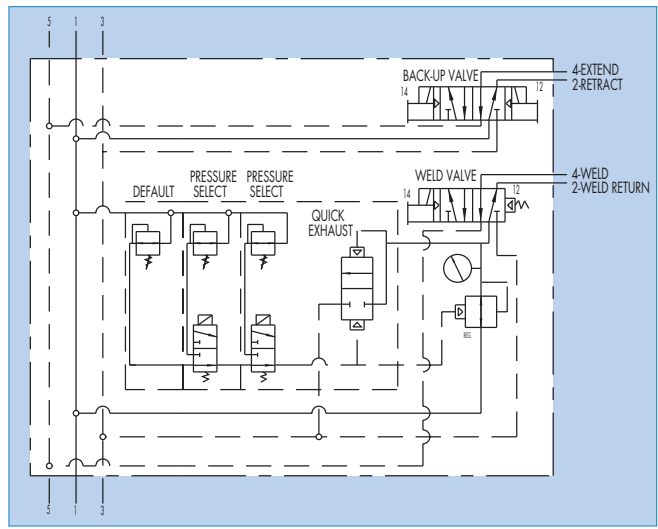


PRESSURE SELECTION



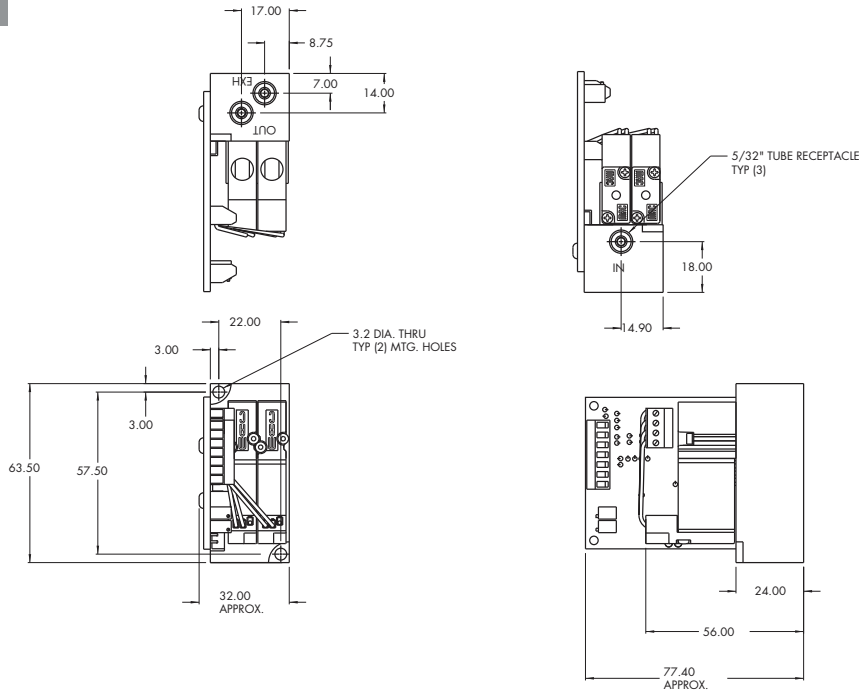
MAC VALVES, INC. MULTI-PRESSURE PAK		
Item	QTY	Description
1	1	MV-P2A-AADB-DM-DDAP-1DS-9 (STA.1)
2	1	PRP2B-DEBA-9 MOD. 1537
3	1	MM-P2A-231-A-9
4	1	MV-P2A-ABDA-DM-DDAP-1DS-9 (STA.2)
5	1	MM-P2A-231-B-9 MOD. 1734
6	3	PR92C-MOAB-9 MOD. 1680
7	2	35A-BOO-DDAJ-1KD-9 MOD. 3501
8	1	921B-RA MOD.1453
	1	N-P2017 BRKT. & FITTINGS
	1	N-63002-02 FASTENING KIT
9	1	24142-160 GAGE
	1	
	1	
10	1	32848 CONDUIT PLUG
	2	23154 STRAIN RELIEF FITTING

Example circuit with quick exhaust valve

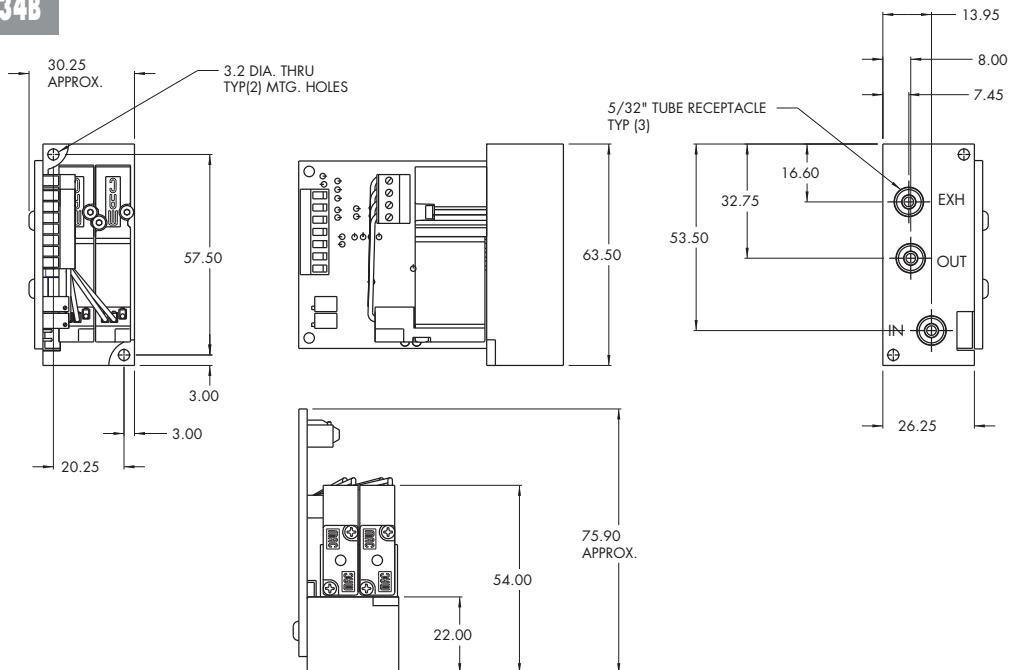


Additional dimensions for PPC's

Series PPC34B

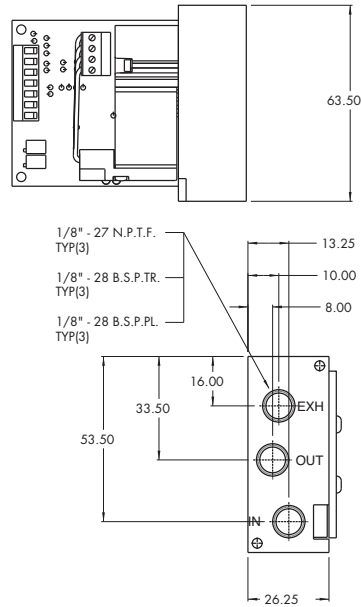
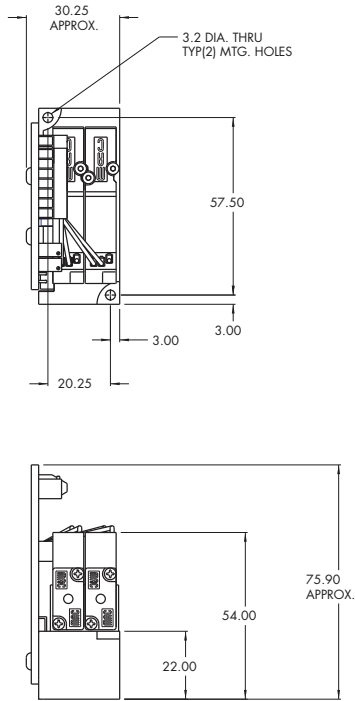


Series PPC34B

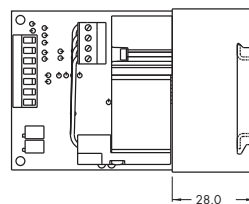
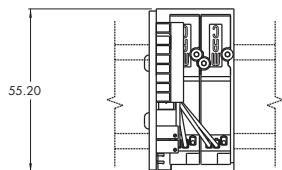
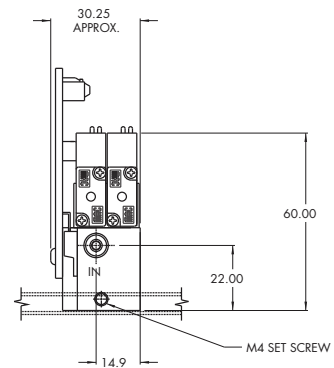
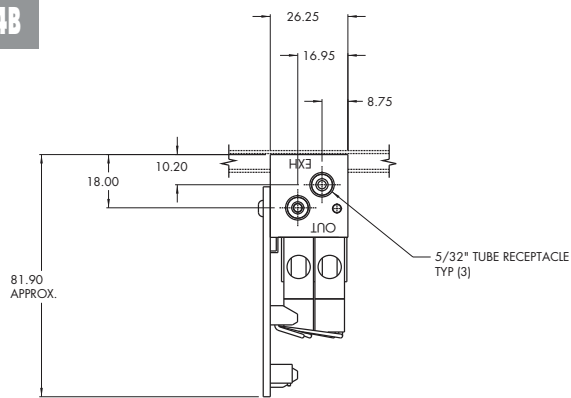


Additional dimensions for PPC's

Series PPC34B

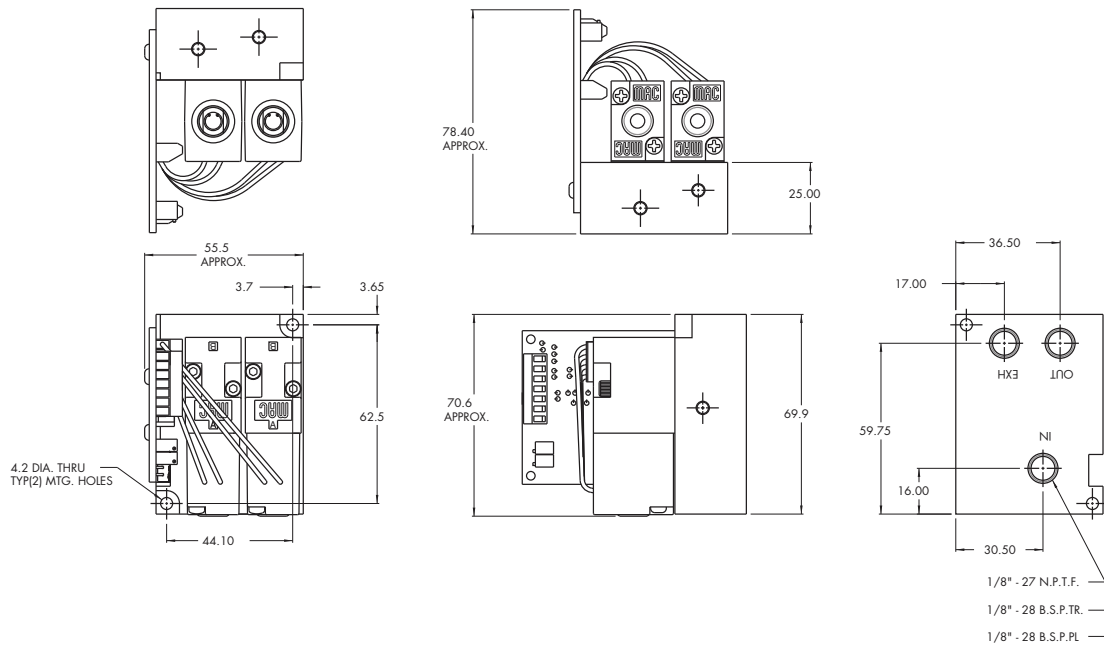


Series PPC34B

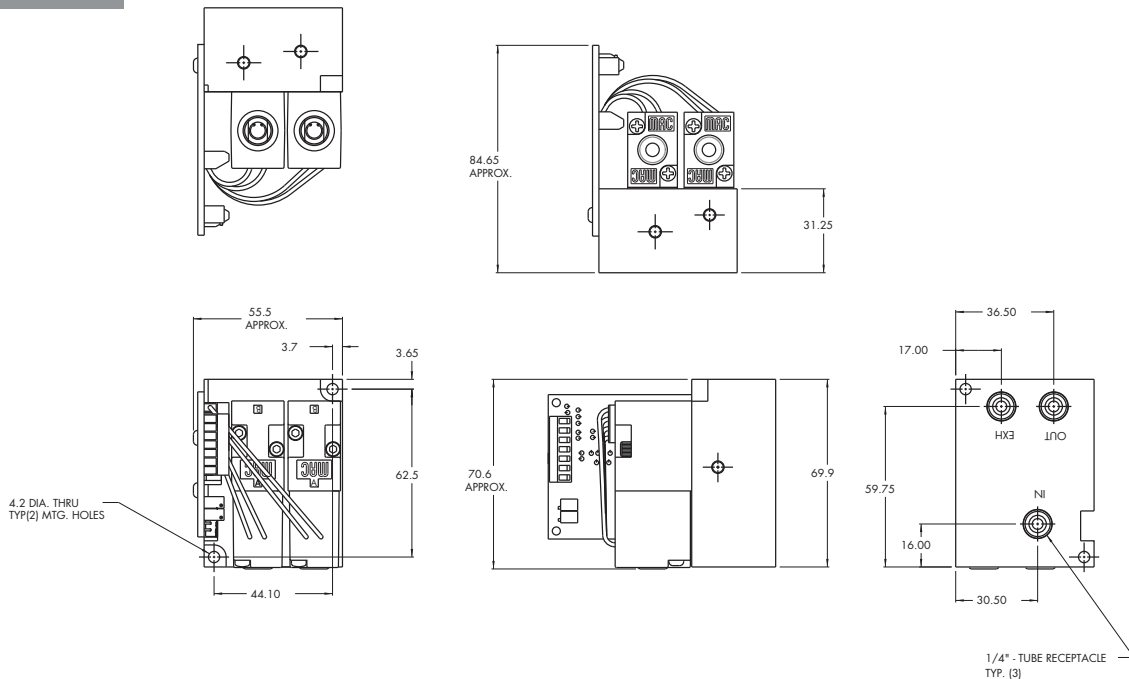


Additional dimensions for PPC's

Series PPC45A

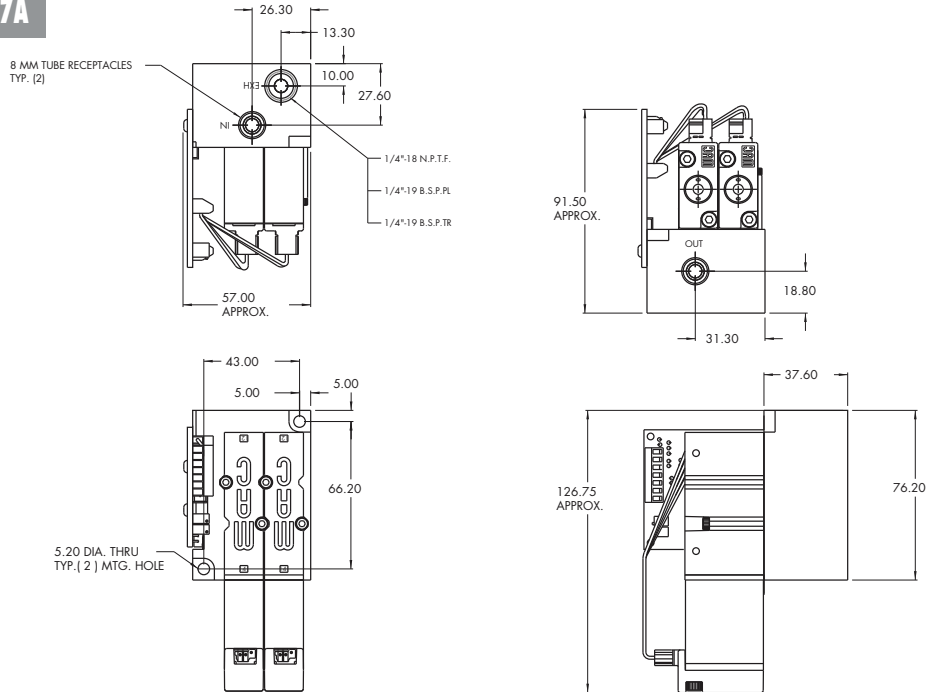


Series PPC45A

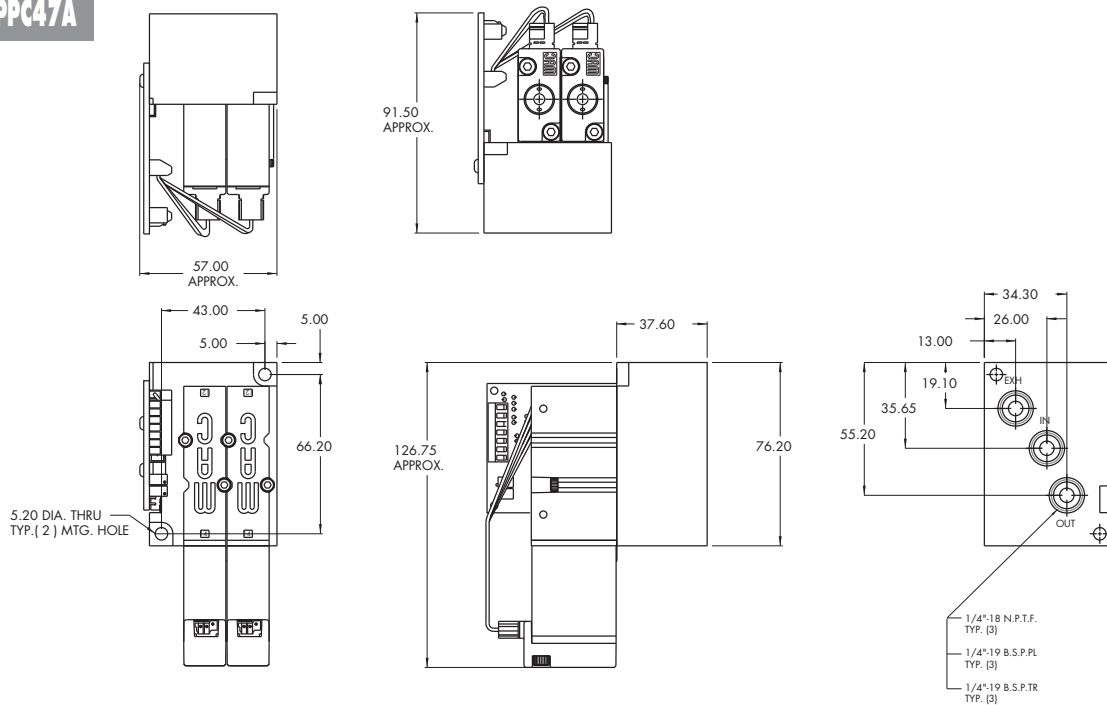


Additional dimensions for PPC's

Series PPC47A

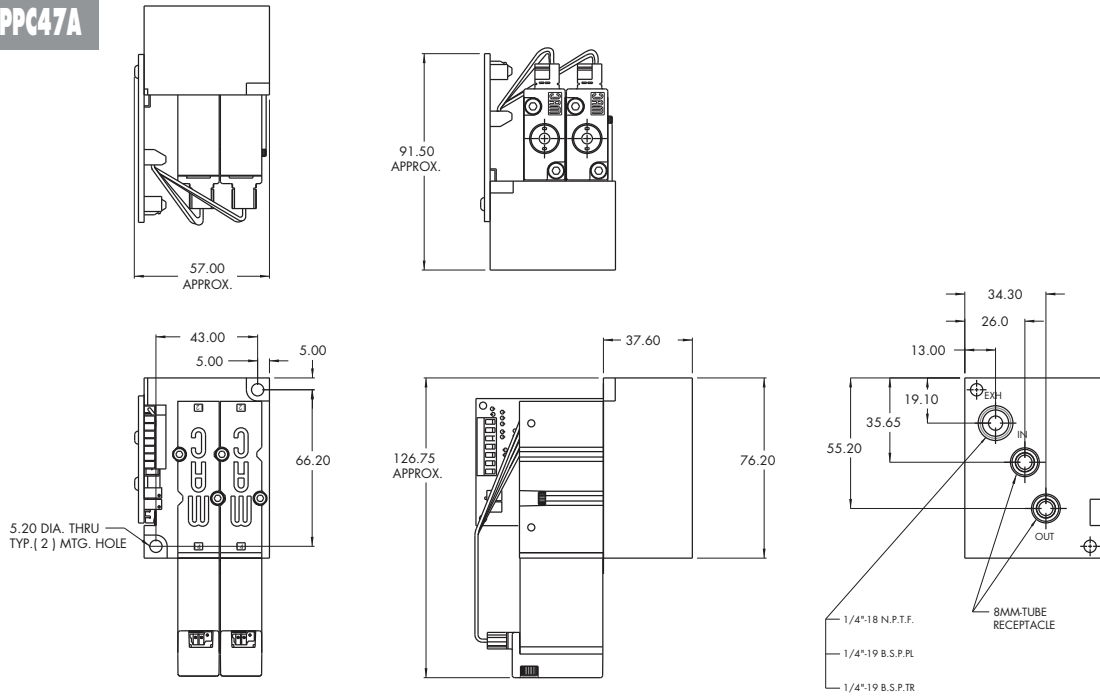


Series PPC47A



Additional dimensions for PPC's

Series PPC47A



PRECAUTIONS AND WARNINGS CONCERNING THE APPLICATION, INSTALLATION AND SERVICE OF MAC VALVES AND OTHER MAC VALVES PRODUCTS

The warnings and precautions below are important to be read and understood before designing into a system any MAC Valves products, and before installing or servicing any MAC Valves product. Improper use, installation or servicing of any MAC Valves product in some systems could create a hazard to personnel or equipment. No distinction in importance should be made between the terms warnings and precautions.

WARNING :

Under no circumstances are MAC Valves products to be used in any application or in any manner where failure of the MAC Valves product to operate as intended could in any way jeopardize the safety of the operator or any other person or property.

- Do not operate outside of pressure range listed on a valve label or outside of the designated temperature range.
- Air supply must be clean and dry. Moisture or contamination can affect proper operation of the valve.
- Before attempting to repair, adjust or clean a MAC Valves product, consult catalog, parts & operation sheet, or factory for proper maintenance procedures, lubrication and cleaning agents. Never attempt to repair or perform other maintenance with air pressure to the valve.
- If air line lubrication is used do not use any lubrication other than those recommended in the catalog, parts & operation sheet or by the factory.

APPLICATION PRECAUTIONS :

INDUSTRIAL USE -

- MAC Valve products are intended for general use in industrial pneumatic and/or vacuum systems. They are general purpose industrial products with literally thousands of different applications in industrial systems. These products are not inherently dangerous, but they are only a component of an overall system. The system in which they are used must provide adequate safeguards to prevent injury or damage in the event failure occurs, whether it be failure of switches, regulators, cylinders, valves or any other component.

POWER PRESSES -

MAC Valve products are not designed nor intended to be used to operate and/or control the operation of clutch and/or brake systems on power presses. There are special products on the market for such use.

2-POSITION VALVES -

Some MAC valves are 2-position, 4-way valves. When air is supplied to the inlet port(s) of these valves, there will always be a flow path from the inlet to one of the outlets regardless of which of the two positions the valve is situated. Therefore, if pressurized air retained in the system would present a hazard in the application or servicing of the valve or system, a separate method in the system must be provided to remove the trapped air.

3- POSITION VALVES-

Some MAC valves are 3-position, 4-way valves. These valves are either double solenoid or double remote air operated.

If either of the two operators is in control, air supplied to the inlet port(s) will pass through the valve to one of the outlets as on 2-position, 4-way valves. However, if neither operator is in control, the valve moves to a center position. Listed below are the various center position functions :

A. CLOSED CENTER-

With this type valve, when in the center position all ports are blocked (inlets and exhausts) meaning the air at both outlet ports is trapped. If trapping the air in both outlet ports would present a hazard in the application or servicing, a separate method in the system must be provided to remove the trapped air or this type valve should not be used.

B. OPEN CENTER-

With this type valve, when in the center position, the inlet port(s) is blocked and the two outlet ports are open to the exhaust port(s) of the valve. If having no air in either outlet port would present a hazard in the application or servicing, this type valve should not be used.

C. PRESSURE CENTER-

With this type valve, when in the center position, the inlet port(s) is connected to both outlet ports of the valve. If having pressurized air to either or both outlet ports would present a hazard in the application or servicing of the valve or system, a separate method in the system must be provided to remove the retained air or this type valve should not be used.

OPERATING SPECIFICATIONS -

MAC Valves products are to be installed only on applications that meet all operating specifications described in the MAC catalog for the MAC Valves product.

MANUAL OPERATORS-

Most MAC valves can be ordered with manual operators. Manual operators when depressed, are designed to shift the valve to the same position as would the corresponding solenoid or remote air pilot operator if it were activated. Care must be taken to order a type, if any, that will be safe for the physical location of the manual operator in the system. If intentional or accidental operation of a valve by a manual operator could cause personal injury or property damage, a manual operator should not be used.

REMOTE AIR OPERATED VALVES

Pilot valves supplying signal pressure to remote air operated valves should be 3-way valves with adequate supply and exhaust capacity to provide positive pressurizing and exhausting of the pilot supply line. Pilot lines should be open to exhaust when valves are deenergized.

INSTALLATION PRECAUTIONS :

- A. Do not install any MAC Valves product without first turning off air (bleed system completely) and electricity to the machine.
- B. MAC Valves products should only be installed by qualified, knowledgeable personnel who understand how the specific valve is to be pneumatically piped and electrically connected (where applicable). Flow paths through the valve are shown in the catalog and on the valve by use of ANSI or ISO type standard graphic symbols. Do not install unless these symbols and the valve functions and operations are thoroughly understood.
- C. If air line lubrication is used do not use any lubrication other than those recommended in the catalog, parts & operation sheet or by the factory.

SERVICE PRECAUTIONS :

- A. Do not service or remove from service any MAC Valves product without first shutting off both the air and electricity to the valve and making certain no pressurized air which could present a hazard is retained in the system.
- B. MAC Valves products should only be serviced or removed from service by qualified, knowledgeable personnel who understand how the specific product is used and/or how the specific valve is piped and used and whether there is air retained in the connecting lines to the valve or electric power still connected to the valve.
- C. Before attempting to repair, adjust or clean a MAC Valves product, consult catalog, parts & operation sheet, or factory for proper maintenance procedures, lubrication and cleaning agents. Never attempt to repair or perform other maintenance with air pressure to the valve.
- D. MAC Valves products are never to be stepped on while working on a machine. Damage to a MAC valve, or other product or lines to the product (either air or electrical lines) or accidental activation of a manual operator on the valve could result in personal injury or property damage.



MAC Valves Product Warranty Information

MAC VALVES Warranty, Warranty Limitations

The MAC Valves organization has established a reputation over many years for fulfilling the needs and requirements of the users of its products. All MAC Valves are quality products specifically designed and built for long and rugged service. For this reason, MAC Valves is able to provide the Buyer a limited warranty.

WARRANTY:

MAC Valves, Inc. hereby warrants to Buyer that, for a period of 18 months from the original date of shipment of each valve from our factory ("Warranty Period"), such valve will be free from significant defects in material and workmanship and will conform to all specifications agreed to by MAC Valves, Inc.. In addition, MAC Valves, Inc. warrants that the electrical coils on such valves will be free from significant defects in material and workmanship for their normal useful life. EXCEPT FOR THESE LIMITED WARRANTIES, MAC VALVES, INC. EXPRESSLY DISCLAIMS ALL REPRESENTATIONS AND WARRANTIES OF ANY KIND (WHETHER EXPRESS, IMPLIED OR ARISING BY OPERATION OF LAW) WITH RESPECT TO THE VALVES, INCLUDING, WITHOUT LIMITATION, ANY WARRANTIES OR REPRESENTATIONS AS TO MERCHANTABILITY, FITNESS FOR A PARTICULAR PURPOSE OR ANY OTHER MATTER. THIS SECTION SURVIVES THE EXPIRATION, TERMINATION OR CANCELLATION OF ANY AGREEMENTS BETWEEN THE PARTIES RELATING TO THE PURCHASE OF THE VALVES.

WARRANTY LIMITATIONS:

This Warranty does not apply where the valves have been (i) subjected to abuse, misuse, damage, neglect, negligence, accident, improper testing, improper installation, improper storage, improper handling, abnormal physical stress, abnormal environmental condition, or use contrary to any instructions issued by MAC Valves, Inc.; (ii) modified, reconstructed, repaired, or altered by persons other than MAC Valves, Inc. or its authorized representative; or (iii) used with any third-party product, hardware, software or other product that has not been previously approved in writing by MAC Valves, Inc. Additionally, this Warranty does not cover claims for labor, material, time or transportation, and does not apply to loss or damage caused by fire, theft, riot, explosion, labor dispute, act of God, or other causes beyond the control of MAC Valves, Inc.

EXCLUSIVE REMEDY:

The Buyer's sole remedy under this Warranty is limited to the replacement or rebuilding of any valve which does not conform to the warranties provided herein or, in MAC Valves, Inc.'s sole discretion, refund of the purchase price for the non-conforming valve. Buyer's remedy is conditioned on Buyer's compliance with its obligations under this Warranty. Valves that Buyer believes do not conform to this Warranty must be returned (with or without bases) transportation prepaid and received at our factory within the Warranty Period. If MAC Valves, Inc. determines that the valve is non-conforming and is otherwise covered by this Warranty, the rebuilt or replaced valve will be returned to the customer at the expense of MAC Valves, Inc. MAC VALVES, INC. WILL NOT BE RESPONSIBLE FOR ANY INCIDENTAL, SPECIAL, EXEMPLARY OR CONSEQUENTIAL DAMAGES, INCLUDING WITHOUT LIMITATION DIRECT AND INDIRECT LOST PROFITS, REGARDLESS OF WHETHER THOSE DAMAGES WERE FORESEEABLE.

