

Non plug-in sandwich pressure regulator with manual adjust

OPERATIONAL BENEFITS

1. Easy mounting: saves on installation costs and space in comparison with inline regulators
2. Compact all-included units
3. Large orifice provides high flow
4. Various functions available
5. Simple, reliable and solid design



PR37A
PR42B
PR46A
PR47A
PR48B

PR92C

HOW TO ORDER

Pilot	Single pressure Regulator 12 end	Dual pressure Regulator 12 end with by-pass 14 end *	Dual pressure Regulator 14 end with by-pass 12 end *	Dual pressure Regulator both ends *
Internal	PRA01A-AAAA	PRA01A-ABAA	PRA01A-ADAA	PRA01A-AEAA
External	PRA01A-BAAA	PRA01A-BBAA	PRA01A-BDAA	PRA01A-BEAA

PR93A

Above models are for manual adjust with knob
 For other manual adjustments and pressure ranges, see Options.

Note: Add -9 after part number for regulator block assembled to valve.
 * To be used with dual pressure valves.

PRA01A
PRA02A

OPTIONS

Adjustments :

PRA01A - **XXXX**

- A** Manual adjust with knob – Internal pilot
- B** Manual adjust with knob – External pilot
- G** Manual adjust with screwdriver slot – Internal pilot
- H** Manual adjust with screwdriver slot – External pilot
- K** Manual adjust with screwdriver slot with locknut– Internal pilot
- L** Manual adjust with screwdriver slot with locknut – External pilot

PRA1A
PRP1A

Regulated Pressure range :

PRA01A - **xxxx**

- A** 0 to 120 PSI
- B** 0 to 80 PSI
- C** 0 to 30 PSI
- D** 0 to 120 PSI "14" end - 0 to 80 PSI "12" end
- E** 0 to 120 PSI "12" end - 0 to 80 PSI "14" end
- F** 0 to 120 PSI "14" end - 0 to 30 PSI "12" end
- G** 0 to 120 PSI "12" end - 0 to 30 PSI "14" end
- H** 0 to 80 PSI "14" end - 0 to 30 PSI "12" end
- J** 0 to 80 PSI "12" end - 0 to 30 PSI "14" end

PRA2D

PRP2B

PRA3C

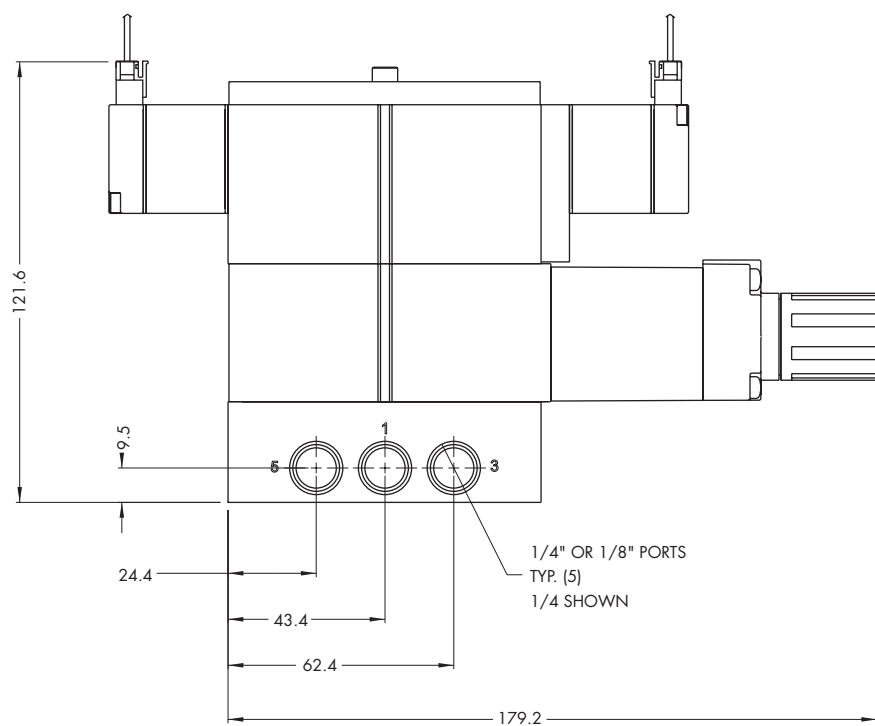
PRP3B

TECHNICAL DATA

Fluid :	Compressed air, inert gases
Pressure supply :	Higher than maximum regulated pressure (max. 8,5 bar)
Regulating range :	0 to 120 PSI
Lubrication :	Not required, if used select a medium aniline point lubricant (between 180°F and 210°F)
Filtration :	40 μ
Temperature range :	0°F to 120°F (-18°C to +50°C)

DIMENSIONS

Dimensions shown are metric (mm)





Non plug-in sandwich pressure regulator with air pilot adjust

OPERATIONAL BENEFITS

1. Easy mounting: saves on installation costs in comparison with inline regulators
2. Compact all-included units
3. Large orifice provides high flow
4. Various functions available
5. Simple, reliable and solid design

PR37A
PR42B
PR46A
PR47A
PR48B

PR92C

HOW TO ORDER

Pilot	Single pressure Regulator 12 end	Dual pressure Regulator 12 end with by-pass 14 end *	Dual pressure Regulator 14 end with by-pass 12 end *	Dual pressure Regulator both ends *
Internal	PRA01A-DAAA	PRA01A-DBAA	PRA01A-DDAA	PRA01A-DEAA
External	PRA01A-EAAA	PRA01A-EBAA	PRA01A-EDAA	PRA01A-EEAA

PR93A

Note : Only pressure range available for air adjust regulator is 0-120 PSI.
 * To be used with dual pressure valves.

PRA01A

PRA02A

PRA1A

PRP1A

PRA2D

PRP2B

PRA3C

PRP3B

TECHNICAL DATA

Fluid :	Compressed air, inert gases
Pressure range :	Higher than maximum regulated pressure
Regulating range :	0 to 120 PSI
Lubrication :	Not required, if used select a medium aniline point lubricant (between 180°F and 210°F)
Filtration :	40 μ
Temperature range :	0°F to 120°F (-18°C to +50°C)

DIMENSIONS

Dimensions shown are metric (mm)

